

TOSHIBA TRANSISTOR SILICON NPN EPITAXIAL PLANAR TYPE

2SC5084

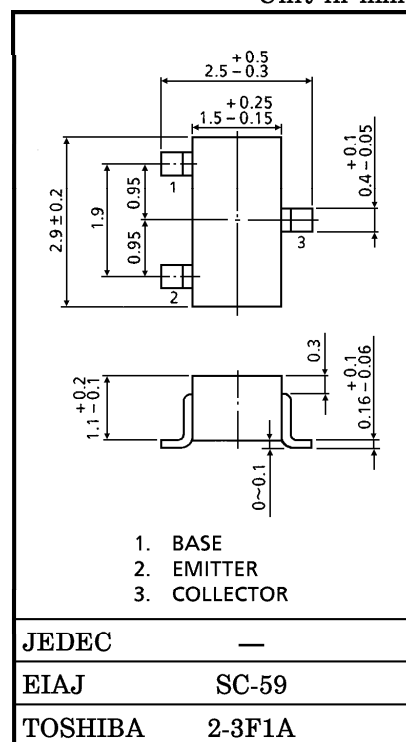
VHF~UHF BAND LOW NOISE AMPLIFIER APPLICATIONS

Unit in mm

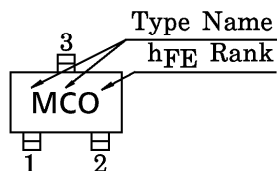
- Low Noise Figure, High Gain.
- $NF=1.1dB$, $|S_{21e}|^2=11dB$ ($f=1GHz$)

MAXIMUM RATINGS ($T_a = 25^\circ C$)

CHARACTERISTIC	SYMBOL	RATING	UNIT
Collector-Base Voltage	V_{CBO}	20	V
Collector-Emitter Voltage	V_{CEO}	12	V
Emitter-Base Voltage	V_{EBO}	3	V
Base Current	I_B	40	mA
Collector Current	I_C	80	mA
Collector Power Dissipation	P_C	150	mW
Junction Temperature	T_j	125	$^\circ C$
Storage Temperature Range	T_{stg}	-55~125	$^\circ C$



MARKING



MICROWAVE CHARACTERISTICS ($T_a = 25^\circ C$)

CHARACTERISTIC	SYMBOL	TEST CONDITION	MIN.	TYP.	MAX.	UNIT
Transition Frequency	f_T	$V_{CE}=10V, I_C=20mA$	5	7	—	GHz
Insertion Gain	$ S_{21e} ^2$ (1)	$V_{CE}=10V, I_C=20mA, f=500MHz$	—	16.5	—	dB
	$ S_{21e} ^2$ (2)	$V_{CE}=10V, I_C=20mA, f=1GHz$	7.5	11	—	
Noise Figure	NF (1)	$V_{CE}=10V, I_C=5mA, f=500MHz$	—	1	—	dB
	NF (2)	$V_{CE}=10V, I_C=5mA, f=1GHz$	—	1.1	2	

ELECTRICAL CHARACTERISTICS ($T_a = 25^\circ C$)

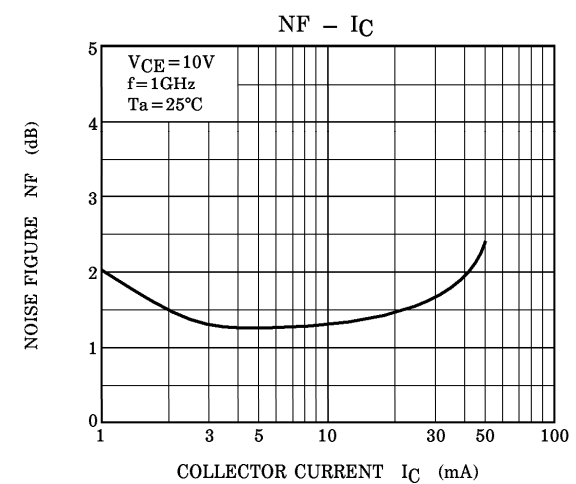
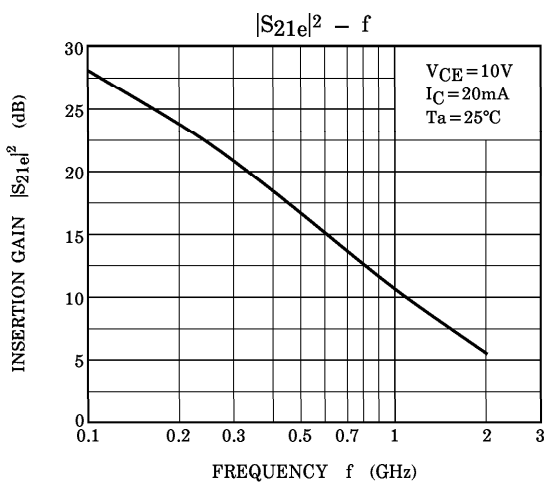
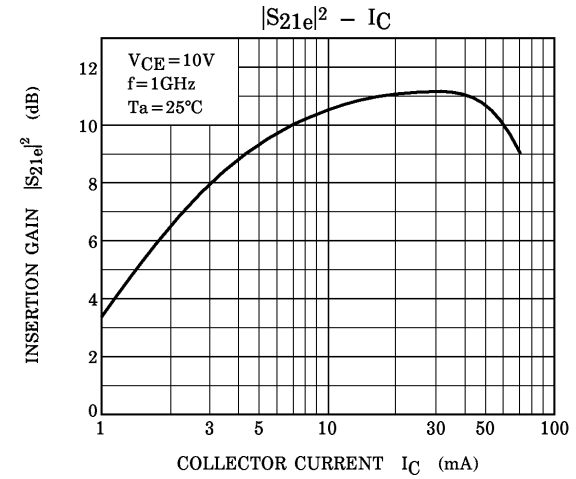
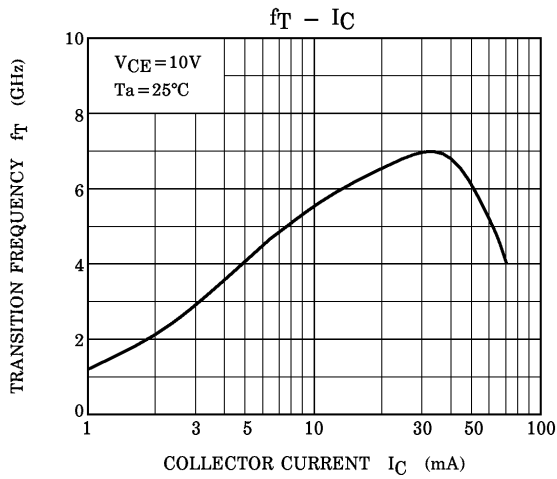
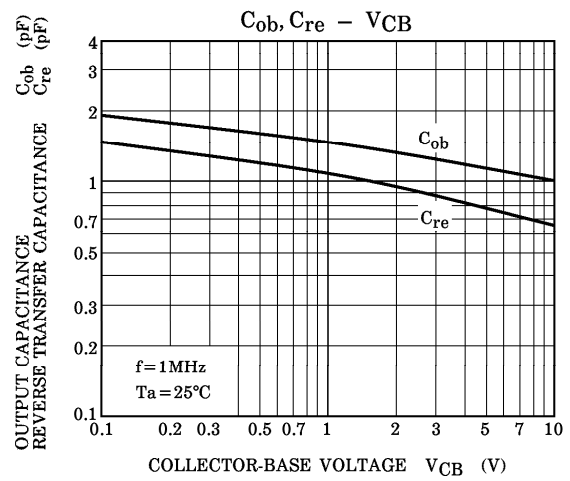
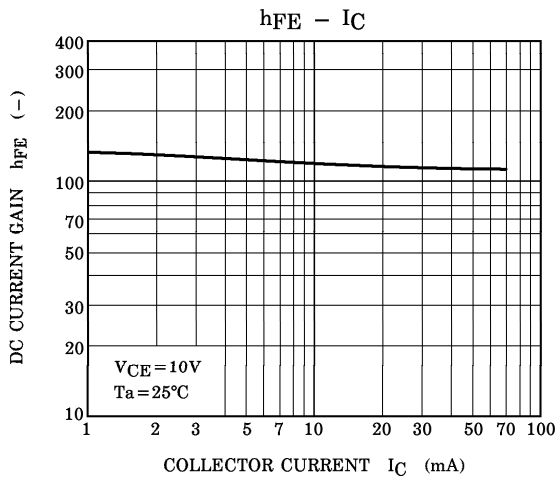
CHARACTERISTIC	SYMBOL	TEST CONDITION	MIN.	TYP.	MAX.	UNIT
Collector Cut-off Current	I_{CBO}	$V_{CB}=10V, I_E=0$	—	—	1	μA
Emitter Cut-off Current	I_{EBO}	$V_{EB}=1V, I_C=0$	—	—	1	μA
DC Current Gain	h_{FE} (Note 1)	$V_{CE}=10V, I_C=20mA$	80	—	240	—
Output Capacitance	C_{ob}	$V_{CB}=10V, I_E=0, f=1MHz$	—	1.0	—	pF
Reverse Transfer Capacitance	C_{re}		(Note 2)	—	0.65	1.15

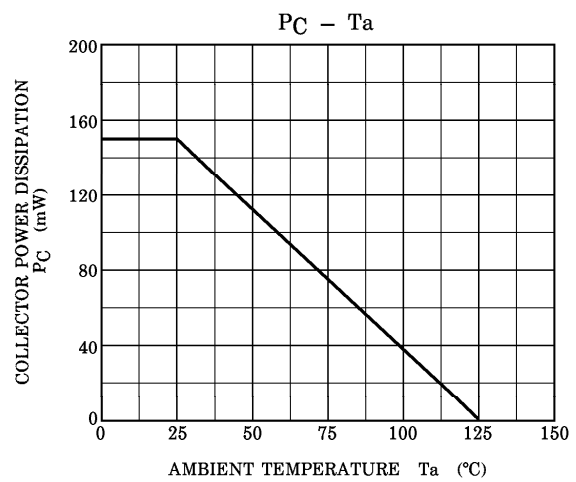
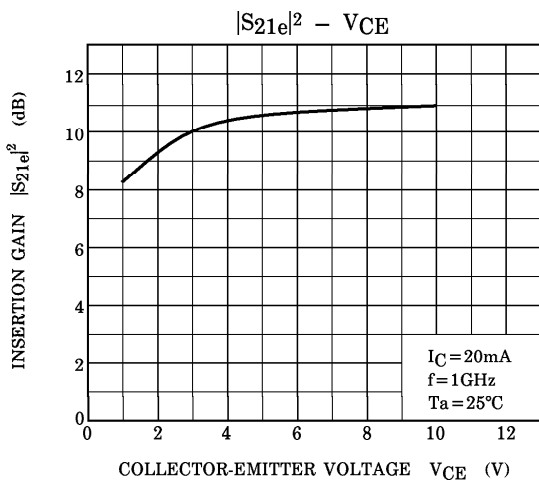
(Note 1) h_{FE} Classification O : 80~160, Y : 120~240

(Note 2) C_{re} is measured by 3 terminal method with capacitance bridge.

961001EAA2

- TOSHIBA is continually working to improve the quality and the reliability of its products. Nevertheless, semiconductor devices in general can malfunction or fail due to their inherent electrical sensitivity and vulnerability to physical stress. It is the responsibility of the buyer, when utilizing TOSHIBA products, to observe standards of safety, and to avoid situations in which a malfunction or failure of a TOSHIBA product could cause loss of human life, bodily injury or damage to property. In developing your designs, please ensure that TOSHIBA products are used within specified operating ranges as set forth in the most recent products specifications. Also, please keep in mind the precautions and conditions set forth in the TOSHIBA Semiconductor Reliability Handbook.
- The information contained herein is presented only as a guide for the applications of our products. No responsibility is assumed by TOSHIBA CORPORATION for any infringements of intellectual property or other rights of the third parties which may result from its use. No license is granted by implication or otherwise under any intellectual property or other rights of TOSHIBA CORPORATION or others.
- The information contained herein is subject to change without notice.





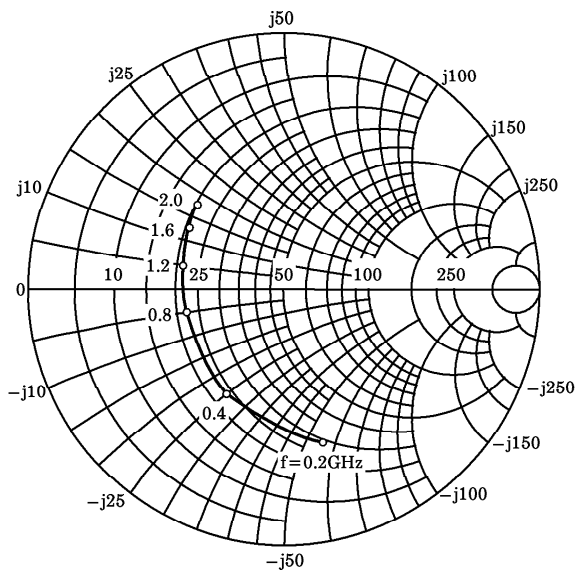
S-Parameter $Z_0 = 50\Omega$, $T_a = 25^\circ\text{C}$
 $V_{CE} = 10\text{V}$, $I_C = 5\text{mA}$

frequency (MHz)	S11		S21		S12		S22	
	Mag.	Ang.	Mag.	Ang.	Mag.	Ang.	Mag.	Ang.
200	0.628	-77.1	9.254	126.5	0.051	53.3	0.695	-31.0
400	0.471	-122.1	6.027	103.3	0.067	48.4	0.509	-34.9
600	0.417	-149.1	4.341	90.3	0.077	51.9	0.441	-35.2
800	0.404	-167.3	3.381	81.2	0.090	56.9	0.412	-36.0
1000	0.402	178.1	2.798	73.3	0.104	62.0	0.398	-37.7
1200	0.412	166.6	2.393	66.7	0.122	66.4	0.390	-40.3
1400	0.427	156.6	2.108	60.4	0.145	69.1	0.385	-44.3
1600	0.440	147.3	1.881	54.8	0.170	69.8	0.376	-48.8
1800	0.455	140.0	1.713	49.4	0.194	70.2	0.373	-54.3
2000	0.482	132.6	1.586	44.6	0.223	71.3	0.367	-60.0

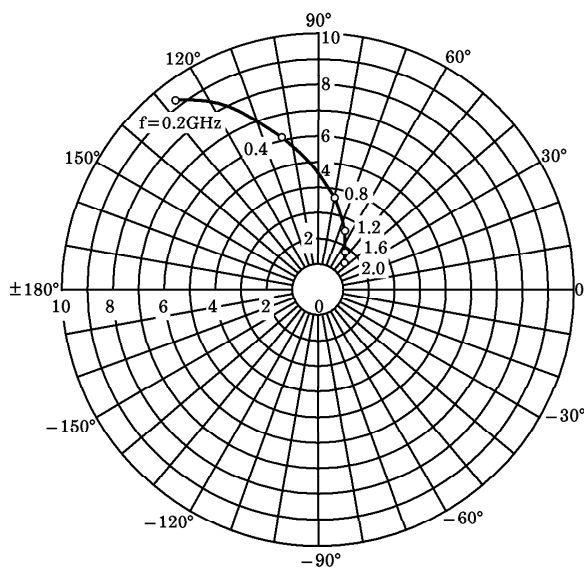
$V_{CE} = 10\text{V}$, $I_C = 20\text{mA}$

frequency (MHz)	S11		S21		S12		S22	
	Mag.	Ang.	Mag.	Ang.	Mag.	Ang.	Mag.	Ang.
200	0.340	-122.7	15.443	107.4	0.034	62.7	0.415	-40.5
400	0.299	-158.7	8.266	92.4	0.056	69.3	0.293	-34.2
600	0.293	-178.0	5.664	84.0	0.080	71.7	0.265	-30.4
800	0.294	169.0	4.334	77.3	0.104	72.1	0.255	-29.9
1000	0.299	157.9	3.528	71.2	0.129	72.0	0.252	-30.6
1200	0.310	149.5	3.002	66.0	0.155	71.4	0.254	-32.5
1400	0.321	142.0	2.629	61.0	0.183	69.7	0.255	-36.1
1600	0.332	134.9	2.336	56.3	0.209	67.6	0.248	-40.6
1800	0.341	129.5	2.121	51.7	0.234	65.6	0.242	-45.9
2000	0.366	124.3	1.958	47.3	0.260	64.6	0.236	-51.7

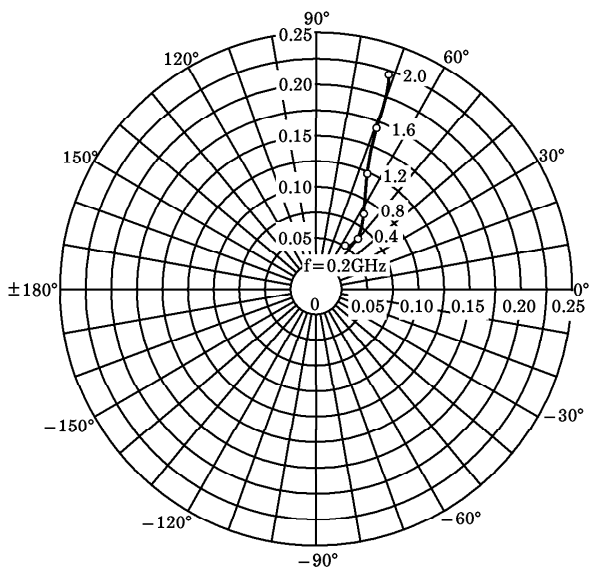
S_{11e}
 $V_{CE} = 10V$
 $I_C = 5mA$
 $T_a = 25^\circ C$
 (UNIT : Ω)



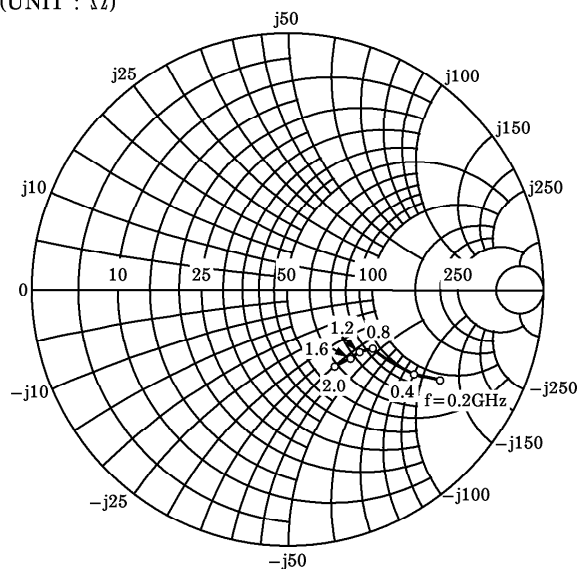
S_{21e}
 $V_{CE} = 10V$
 $I_C = 5mA$
 $T_a = 25^\circ C$



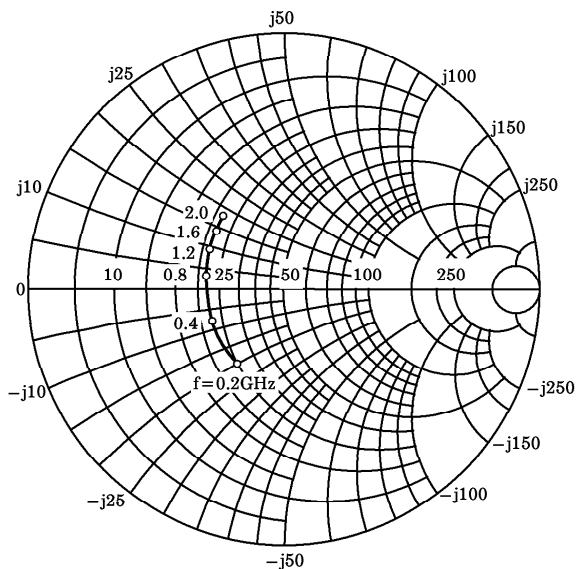
S_{12e}
 $V_{CE} = 10V$
 $I_C = 5mA$
 $T_a = 25^\circ C$



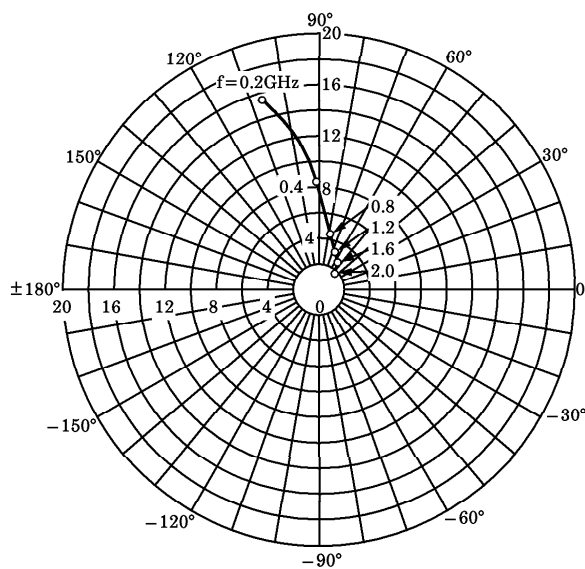
S_{22e}
 $V_{CE} = 10V$
 $I_C = 5mA$
 $T_a = 25^\circ C$
 (UNIT : Ω)



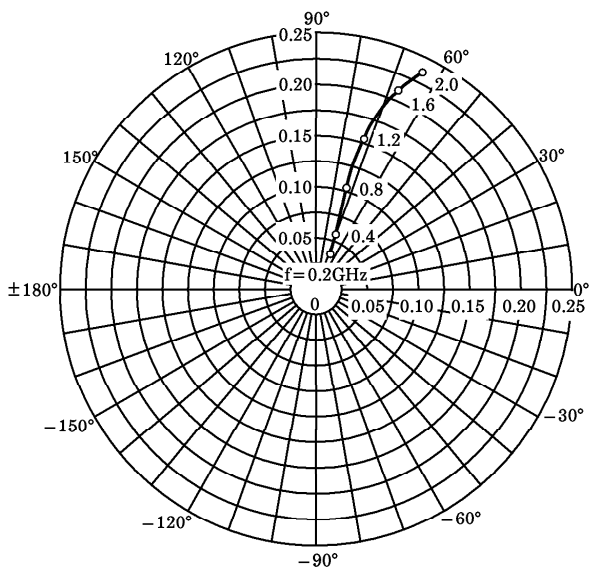
S_{11e}
 V_{CE} = 10V
 I_C = 20mA
 T_a = 25°C
 (UNIT : Ω)



S_{21e}
 V_{CE} = 10V
 I_C = 20mA
 T_a = 25°C



S_{12e}
 V_{CE} = 10V
 I_C = 20mA
 T_a = 25°C



S_{22e}
 V_{CE} = 10V
 I_C = 20mA
 T_a = 25°C
 (UNIT : Ω)

