

74ACQ244 • 74ACTQ244

Quiet Series™ Octal Buffer/Line Driver with 3-STATE Outputs

General Description

The ACQ/ACTQ244 is an octal buffer and line driver designed to be employed as a memory address driver, clock driver and bus oriented transmitter or receiver which provides improved PC board density. The ACQ/ACTQ utilizes Fairchild Quiet Series™ technology to guarantee quiet output switching and improved dynamic threshold performance. FACT Quiet Series™ features GTO™ output control and undershoot corrector in addition to a split ground bus for superior performance.

Features

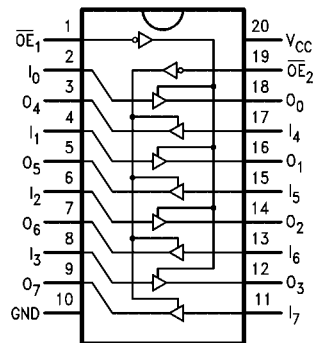
- I_{CC} and I_{OZ} reduced by 50%
- Guaranteed simultaneous switching noise level and dynamic threshold performance
- Guaranteed pin-to-pin skew AC performance
- Improved latch-up immunity
- 3-STATE outputs drive bus lines or buffer memory address registers
- Outputs source/sink 24 mA
- Faster prop delays than the standard AC/ACT244

Ordering Code:

| Order Number | Package Number | Package Description |
|--------------|----------------|---|
| 74ACQ244SC | M20B | 20-Lead Small Outline Integrated Circuit (SOIC), JEDEC MS-013, 0.300" Wide Body |
| 74ACQ244SJ | M20D | 20-Lead Small Outline Package (SOP), EIAJ TYPE II, 5.3mm Wide |
| 74ACQ244PC | N20A | 20-Lead Plastic Dual-In-Line Package (PDIP), JEDEC MS-001, 0.300" Wide |
| 74ACTQ244SC | M20B | 20-Lead Small Outline Integrated Circuit (SOIC), JEDEC MS-013, 0.300" Wide Body |
| 74ACTQ244SJ | M20D | 20-Lead Small Outline Package (SOP), EIAJ TYPE II, 5.3mm Wide |
| 74ACTQ244QSC | MQA20 | 20-Lead Quarter Size Outline Package (QSOP), JEDEC MO-137, 0.150" Wide |
| 74ACTQ244MSA | MSA20 | 20-Lead Shrink Small Outline Package (SSOP), EIAJ TYPE II, 5.3mm Wide |
| 74ACTQ244PC | N20A | 20-Lead Plastic Dual-In-Line Package (PDIP), JEDEC MS-001, 0.300" Wide |

Device also available in Tape and Reel. Specify by appending suffix letter "X" to the ordering code.

Connection Diagram

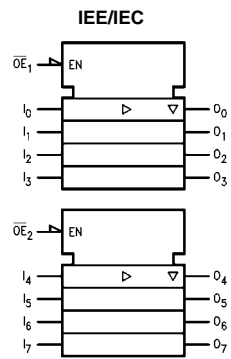


Pin Descriptions

| Pin Names | Description |
|------------------------------------|------------------------------|
| $\overline{OE}_1, \overline{OE}_2$ | 3-STATE Output Enable Inputs |
| I_0-I_7 | Inputs |
| O_0-O_7 | Outputs |

FACT™, Quiet Series™, FACT Quiet Series™, and GTO™ are trademarks of Fairchild Semiconductor Corporation.

Logic Symbol



Truth Tables

| Inputs | | Outputs |
|-------------------|----|-----------------------|
| \overline{OE}_1 | In | (Pins 12, 14, 16, 18) |
| L | L | L |
| L | H | H |
| H | X | Z |

| Inputs | | Outputs |
|-------------------|----|-------------------|
| \overline{OE}_2 | In | (Pins 3, 5, 7, 9) |
| L | L | L |
| L | H | H |
| H | X | Z |

H = HIGH Voltage Level
 L = LOW Voltage Level
 X = Inmaterial
 Z = HIGH Impedance

Absolute Maximum Ratings(Note 1)

| | |
|--|--------------------------|
| Supply Voltage (V_{CC}) | -0.5V to +7.0V |
| DC Input Diode Current (I_{IK}) | |
| $V_I = -0.5V$ | -20 mA |
| $V_I = V_{CC} + 0.5V$ | +20 mA |
| DC Input Voltage (V_I) | -0.5V to $V_{CC} + 0.5V$ |
| DC Output Diode Current (I_{OK}) | |
| $V_O = -0.5V$ | -20 mA |
| $V_O = V_{CC} + 0.5V$ | +20 mA |
| DC Output Voltage (V_O) | -0.5V to $V_{CC} + 0.5V$ |
| DC Output Source | |
| or Sink Current (I_O) | ± 50 mA |
| DC V_{CC} or Ground Current | |
| per Output Pin (I_{CC} or I_{GND}) | ± 50 mA |
| Storage Temperature (T_{STG}) | -65°C to +150°C |
| DC Latch-Up Source or | |
| Sink Current | ± 300 mA |
| Junction Temperature (T_J) | |
| PDIP | 140°C |

Recommended Operating Conditions

| | | |
|---|--------------------------------------|----------------|
| Supply Voltage (V_{CC}) | | 2.0V to 6.0V |
| ACQ | | 4.5V to 5.5V |
| ACTQ | | 0V to V_{CC} |
| Input Voltage (V_I) | | 0V to V_{CC} |
| Output Voltage (V_O) | | 0V to V_{CC} |
| Operating Temperature (T_A) | | -40°C to +85°C |
| Minimum Input Edge Rate $\Delta V/\Delta t$ | | |
| ACQ Devices | V_{IN} from 30% to 70% of V_{CC} | |
| V_{CC} @ 3.0V, 4.5V, 5.5V | | 125 mV/ns |
| Minimum Input Edge Rate $\Delta V/\Delta t$ | | |
| ACTQ Devices | V_{IN} from 0.8V to 2.0V | |
| V_{CC} @ 4.5V, 5.5V | | 125 mV/ns |

Note 1: Absolute maximum ratings are those values beyond which damage to the device may occur. The databook specifications should be met, with-out exception, to ensure that the system design is reliable over its power supply, temperature, and output/input loading variables. Fairchild does not recommend operation of FACT™ circuits outside databook specifications.

DC Electrical Characteristics for ACQ

| Symbol | Parameter | V_{CC} (V) | $T_A = +25^\circ\text{C}$ | | $T_A = -40^\circ\text{C to } +85^\circ\text{C}$ | | Units | Conditions |
|----------------------|--------------------------------------|-----------------|---------------------------|-------------------|---|-------------------|---|------------|
| | | | Typ | Guaranteed Limits | Typ | Guaranteed Limits | | |
| V_{IH} | Minimum HIGH Level Input Voltage | 3.0 | 1.5 | 2.1 | 2.1 | V | $V_{OUT} = 0.1V$ or $V_{CC} - 0.1V$ | |
| | | 4.5 | 2.25 | 3.15 | 3.15 | | | |
| | | 5.5 | 2.75 | 3.85 | 3.85 | | | |
| V_{IL} | Maximum LOW Level Input Voltage | 3.0 | 1.5 | 0.9 | 0.9 | V | $V_{OUT} = 0.1V$ or $V_{CC} - 0.1V$ | |
| | | 4.5 | 2.25 | 1.35 | 1.35 | | | |
| | | 5.5 | 2.75 | 1.65 | 1.65 | | | |
| V_{OH} | Minimum HIGH Level Output Voltage | 3.0 | 2.99 | 2.9 | 2.9 | V | $I_{OUT} = -50 \mu\text{A}$ | |
| | | 4.5 | 4.49 | 4.4 | 4.4 | | | |
| | | 5.5 | 5.49 | 5.4 | 5.4 | | | |
| | | 3.0 | | 2.56 | 2.46 | V | $V_{IN} = V_{IL}$ or V_{IH} $I_{OH} = -12 \text{ mA}$ $I_{OH} = -24 \text{ mA}$ $I_{OH} = -24 \text{ mA (Note 2)}$ | |
| | | 4.5 | | 3.86 | 3.76 | | | |
| 5.5 | | 4.86 | 4.76 | | | | | |
| V_{OL} | Maximum LOW Level Output Voltage | 3.0 | 0.002 | 0.1 | 0.1 | V | $I_{OUT} = 50 \mu\text{A}$ | |
| | | 4.5 | 0.001 | 0.1 | 0.1 | | | |
| | | 5.5 | 0.001 | 0.1 | 0.1 | | | |
| | | 3.0 | | 0.36 | 0.44 | V | $V_{IN} = V_{IL}$ or V_{IH} $I_{OL} = 12 \text{ mA}$ $I_{OL} = 24 \text{ mA}$ $I_{OL} = 24 \text{ mA (Note 2)}$ | |
| | | 4.5 | | 0.36 | 0.44 | | | |
| 5.5 | | 0.36 | 0.44 | | | | | |
| I_{IN} (Note 4) | Maximum Input Leakage Current | 5.5 | | ± 0.1 | ± 1.0 | μA | $V_I = V_{CC}, \text{ GND}$ | |
| I_{OLD} | Minimum Dynamic | 5.5 | | | 75 | mA | $V_{OLD} = 1.65V \text{ Max}$ | |
| I_{OHD} | Output Current (Note 3) | 5.5 | | | -75 | mA | $V_{OHD} = 3.85V \text{ Min}$ | |
| I_{CC} (Note 4) | Maximum Quiescent Supply Current | 5.5 | | 4.0 | 40.0 | μA | $V_{IN} = V_{CC}$ or GND | |
| I_{OZ} | Maximum 3-STATE Leakage Current | 5.5 | | ± 0.25 | ± 2.5 | μA | $V_I(\text{OE}) = V_{IL}, V_{IH}$ $V_I = V_{CC}, \text{ GND}$ $V_O = V_{CC}, \text{ GND}$ | |

| DC Electrical Characteristics for ACQ (Continued) | | | | | | | | |
|---|---|------------------------|------------------------|-------------------|---------------------------------|-------|--|---|
| Symbol | Parameter | V _{CC} (V) | T _A = +25°C | | T _A = -40°C to +85°C | Units | Conditions | |
| | | | Typ | Guaranteed Limits | | | | |
| V _{OLP} | Quiet Output Maximum Dynamic V _{OL} | 5.0 | 1.1 | 1.5 | | V | Figure 1, Figure 2 (Note 5)(Note 6) | |
| V _{OLV} | Quiet Output Minimum Dynamic V _{OL} | 5.0 | -0.6 | -1.2 | | V | Figure 1, Figure 2 (Note 5)(Note 6) | |
| V _{IHD} | Minimum HIGH Level Dynamic Input Voltage | 5.0 | 3.1 | 3.5 | | V | (Note 5)(Note 7) | |
| V _{ILD} | Maximum LOW Level Dynamic Input Voltage | 5.0 | 1.9 | 1.5 | | V | (Note 5)(Note 7) | |
| <p>Note 2: All outputs loaded thresholds on input associated with output under test.</p> <p>Note 3: Maximum test duration 2.0 ms, one output loaded at a time.</p> <p>Note 4: I_{IN} and I_{CC} @ 3.0V are guaranteed to be less than or equal to the respective limit @ 5.5V V_{CC}.</p> <p>Note 5: DIP package.</p> <p>Note 6: Max number of outputs defined as (n). Data Inputs are driven 0V to 5V. One output @ GND.</p> <p>Note 7: Max number of Data Inputs (n) switching. (n - 1) Inputs switching 0V to 5V (ACQ). Input-under-test switching: 5V to threshold (V_{ILD}), 0V to threshold (V_{IHD}), f = 1 MHz.</p> | | | | | | | | |
| DC Electrical Characteristics for ACTQ | | | | | | | | |
| Symbol | Parameter | V _{CC} (V) | T _A = +25°C | | T _A = -40°C to +85°C | Units | Conditions | |
| | | | Typ | Guaranteed Limits | | | | |
| V _{IH} | Minimum HIGH Level Input Voltage | 4.5 | 1.5 | 2.0 | 2.0 | V | V _{OUT} = 0.1V or V _{CC} - 0.1V | |
| | | 5.5 | 1.5 | 2.0 | 2.0 | | | |
| V _{IL} | Maximum LOW Level Input Voltage | 4.5 | 1.5 | 0.8 | 0.8 | V | V _{OUT} = 0.1V or V _{CC} - 0.1V | |
| | | 5.5 | 1.5 | 0.8 | 0.8 | | | |
| V _{OH} | Minimum HIGH Level Output Voltage | 4.5 | 4.49 | 4.4 | 4.4 | V | I _{OUT} = -50 μA | |
| | | 5.5 | 5.49 | 5.4 | 5.4 | | | |
| | | | 4.5 | | 3.86 | 3.76 | V | V _{IN} = V _{IL} or V _{IH} I _{OH} = -24 mA I _{OH} = -24 mA (Note 8) |
| | | | 5.5 | | 4.86 | 4.76 | | |
| V _{OL} | Maximum LOW Level Output Voltage | 4.5 | 0.001 | 0.1 | 0.1 | V | I _{OUT} = 50 μA | |
| | | 5.5 | 0.001 | 0.1 | 0.1 | | | |
| | | 4.5 | | 0.36 | 0.44 | | | V |
| 5.5 | | 0.36 | 0.44 | | | | | |
| I _{IN} (Note 4) | Maximum Input Leakage Current | 5.5 | | ±0.1 | ±1.0 | μA | V _I = V _{CC} , GND | |
| I _{OZ} | Maximum 3-STATE Leakage Current | 5.5 | | ±0.25 | ±2.5 | μA | V _I = V _{IL} , V _{IH} V _O = V _{CC} , GND | |
| I _{CCT} | Maximum I _{CC} /Input | 5.5 | 0.6 | | 1.5 | mA | V _I = V _{CC} - 2.1V | |
| I _{OLD} | Minimum Dynamic Output Current (Note 9) | 5.5 | | | 75 | mA | V _{OLD} = 1.65V Max | |
| I _{OHD} | | 5.5 | | | -75 | mA | V _{OHD} = 3.85V Min | |
| I _{CC} (Note 4) | Maximum Quiescent Supply Current | 5.5 | | 4.0 | 40.0 | μA | V _{IN} = V _{CC} or GND | |
| V _{OLP} | Quiet Output Maximum Dynamic V _{OL} | 5.0 | 1.1 | 1.5 | | V | Figure 1, Figure 2 (Note 10)(Note 11) | |
| V _{OLV} | Quiet Output Minimum Dynamic V _{OL} | 5.0 | -0.6 | -1.2 | | V | Figure 1, Figure 2 (Note 10)(Note 11) | |
| V _{IHD} | Minimum HIGH Level Dynamic Input Voltage | 5.0 | 1.9 | 2.2 | | V | (Note 10)(Note 12) | |
| V _{ILD} | Maximum LOW Level Dynamic Input Voltage | 5.0 | 1.2 | 0.8 | | V | (Note 10)(Note 12) | |
| <p>Note 8: All outputs loaded thresholds on input associated with output under test.</p> <p>Note 9: Maximum test duration 2.0 ms, one output loaded at a time.</p> <p>Note 10: DIP package.</p> | | | | | | | | |

DC Electrical Characteristics for ACTQ (Continued)

Note 11: Max number of outputs defined as (n). Data Inputs are driven 0V to 3V. One output @ GND.

Note 12: Max number of Data Inputs (n) switching. (n-1) Inputs switching 0V to 3V (ACTQ). Input-under-test switching: 3V to threshold (V_{LD}), 0V to threshold (V_{HD}), $f = 1$ MHz.

AC Electrical Characteristics for ACQ

| Symbol | Parameter | V_{CC} (V) (Note 13) | $T_A = +25^\circ\text{C}$ $C_L = 50$ pF | | | $T_A = -40^\circ\text{C to } +85^\circ\text{C}$ $C_L = 50$ pF | | Units |
|-----------------------|-------------------------------|------------------------------|--|-----|------|--|------|-------|
| | | | Min | Typ | Max | Min | Max | |
| t_{PHL} | Propagation Delay | 3.3 | 2.0 | 7.0 | 9.0 | 2.0 | 9.5 | ns |
| t_{PLH} | Data to Output | 5.0 | 1.5 | 5.0 | 6.0 | 1.5 | 6.5 | |
| t_{PZL} t_{PZH} | Output Enable Time | 3.3 | 2.5 | 8.0 | 12.0 | 2.5 | 12.5 | ns |
| | | 5.0 | 1.5 | 6.5 | 8.0 | 1.5 | 8.5 | |
| t_{PHZ} t_{PLZ} | Output Disable Time | 3.3 | 1.0 | 9.0 | 13.5 | 1.0 | 14.0 | ns |
| | | 5.0 | 1.0 | 7.5 | 9.0 | 1.0 | 9.5 | |
| t_{OSHL} t_{OSLH} | Output to Output | 3.3 | | 1.0 | 1.5 | | 1.5 | ns |
| | Skew Data to Output (Note 14) | 5.0 | | 0.5 | 1.0 | | 1.0 | |

Note 13: Voltage Range 5.0 is $5.0V \pm 0.5V$.
Voltage Range 3.3 is $3.3V \pm 0.3V$.

Note 14: Skew is defined as the absolute value of the difference between the actual propagation delay for any two separate outputs of the same device. The specification applies to any outputs switching in the same direction, either HIGH to LOW (t_{OSHL}) or LOW to HIGH (t_{OSLH}). Parameter guaranteed by design.

AC Electrical Characteristics for ACTQ

| Symbol | Parameter | V_{CC} (V) (Note 15) | $T_A = +25^\circ\text{C}$ $C_L = 50$ pF | | | $T_A = -40^\circ\text{C to } +85^\circ\text{C}$ $C_L = 50$ pF | | Units |
|------------|-------------------------------|------------------------------|--|-----|-----|--|------|-------|
| | | | Min | Typ | Max | Min | Max | |
| t_{PHL} | Propagation Delay | 5.0 | 1.5 | 5.5 | 6.5 | 1.5 | 7.0 | ns |
| t_{PLH} | Data to Output | | | | | | | |
| t_{PZL} | Output Enable Time | 5.0 | 1.5 | 7.0 | 8.5 | 1.5 | 9.0 | ns |
| t_{PZH} | | | | | | | | |
| t_{PHZ} | Output Disable Time | 5.0 | 1.0 | 8.0 | 9.5 | 1.0 | 10.0 | ns |
| t_{PLZ} | | | | | | | | |
| t_{OSHL} | Output to Output | 5.0 | | 0.5 | 1.0 | | 1.0 | ns |
| t_{OSLH} | Skew Data to Output (Note 16) | | | | | | | |

Note 15: Voltage Range 5.0 is $5.0V \pm 0.5V$.

Note 16: Skew is defined as the absolute value of the difference between the actual propagation delay for any two separate outputs of the same device. The specification applies to any outputs switching in the same direction, either HIGH to LOW (t_{OSHL}) or LOW to HIGH (t_{OSLH}). Parameter guaranteed by design.

Capacitance

| Symbol | Parameter | Typ | Units | Conditions |
|----------|-------------------------------|-----|-------|------------------------|
| C_{IN} | Input Capacitance | 4.5 | pF | $V_{CC} = \text{OPEN}$ |
| C_{PD} | Power Dissipation Capacitance | 70 | pF | $V_{CC} = 5.0V$ |

FACT Noise Characteristics

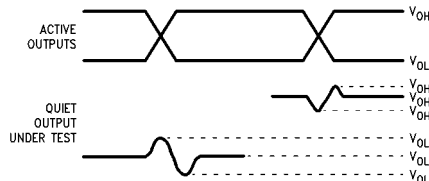
The setup of a noise characteristics measurement is critical to the accuracy and repeatability of the tests. The following is a brief description of the setup used to measure the noise characteristics of FACT.

Equipment:

Hewlett Packard Model 8180A Word Generator
PC-163A Test Fixture
Tektronics Model 7854 Oscilloscope

Procedure:

1. Verify Test Fixture Loading: Standard Load 50 pF, 500Ω.
2. Deskew the HFS generator so that no two channels have greater than 150 ps skew between them. This requires that the oscilloscope be deskewed first. It is important to deskew the HFS generator channels before testing. This will ensure that the outputs switch simultaneously.
3. Terminate all inputs and outputs to ensure proper loading of the outputs and that the input levels are at the correct voltage.
4. Set the HFS generator to toggle all but one output at a frequency of 1 MHz. Greater frequencies will increase DUT heating and effect the results of the measurement.
5. Set the HFS generator input levels at 0V LOW and 3V HIGH for ACT devices and 0V LOW and 5V HIGH for AC devices. Verify levels with an oscilloscope.



Note 17: V_{OHV} and V_{OLP} are measured with respect to ground reference.

Note 18: Input pulses have the following characteristics: $f = 1$ MHz, $t_r = 3$ ns, $t_f = 3$ ns, skew < 150 ps.

FIGURE 1. Quiet Output Noise Voltage Waveforms

V_{OLP}/V_{OLV} and V_{OHP}/V_{OHV} :

- Determine the quiet output pin that demonstrates the greatest noise levels. The worst case pin will usually be the furthest from the ground pin. Monitor the output voltages using a 50Ω coaxial cable plugged into a standard SMB type connector on the test fixture. Do not use an active FET probe.
- Measure V_{OLP} and V_{OLV} on the quiet output during the worst case active and enable transition. Measure V_{OHP} and V_{OHV} on the quiet output during the worst case active and enable transition.
- Verify that the GND reference recorded on the oscilloscope has not drifted to ensure the accuracy and repeatability of the measurements.

V_{ILD} and V_{IHD} :

- Monitor one of the switching outputs using a 50Ω coaxial cable plugged into a standard SMB type connector on the test fixture. Do not use an active FET probe.
- First increase the input LOW voltage level, V_{IL} , until the output begins to oscillate or steps out a min of 2 ns. Oscillation is defined as noise on the output LOW level that exceeds V_{IL} limits, or on output HIGH levels that exceed V_{IH} limits. The input LOW voltage level at which oscillation occurs is defined as V_{ILD} .
- Next decrease the input HIGH voltage level, V_{IH} , until the output begins to oscillate or steps out a min of 2 ns. Oscillation is defined as noise on the output LOW level that exceeds V_{IL} limits, or on output HIGH levels that exceed V_{IH} limits. The input HIGH voltage level at which oscillation occurs is defined as V_{IHD} .
- Verify that the GND reference recorded on the oscilloscope has not drifted to ensure the accuracy and repeatability of the measurements.

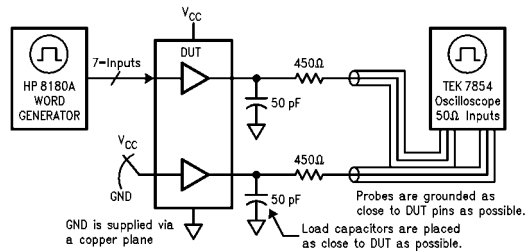


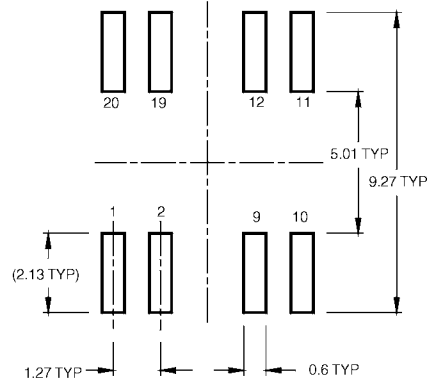
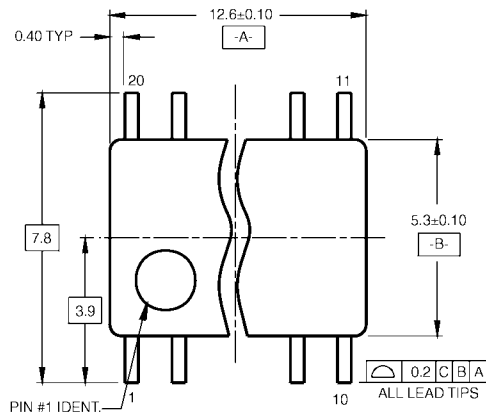
FIGURE 2. Simultaneous Switching Test Circuit

Physical Dimensions inches (millimeters) unless otherwise noted

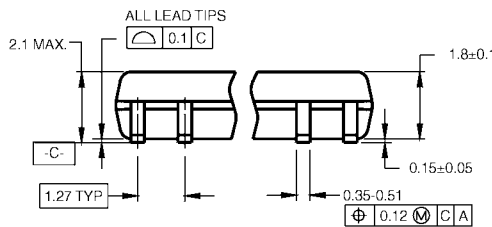


**20-Lead Small Outline Integrated Circuit (SOIC), JEDEC MS-013, 0.300" Wide Body
Package Number M20B**

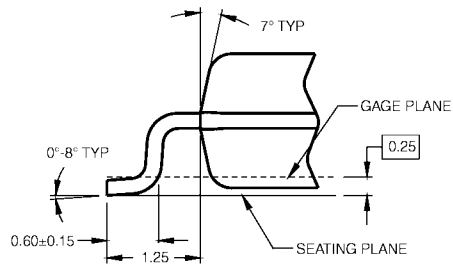
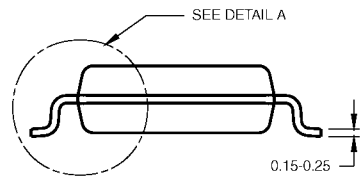
Physical Dimensions inches (millimeters) unless otherwise noted (Continued)



LAND PATTERN RECOMMENDATION



DIMENSIONS ARE IN MILLIMETERS



DETAIL A

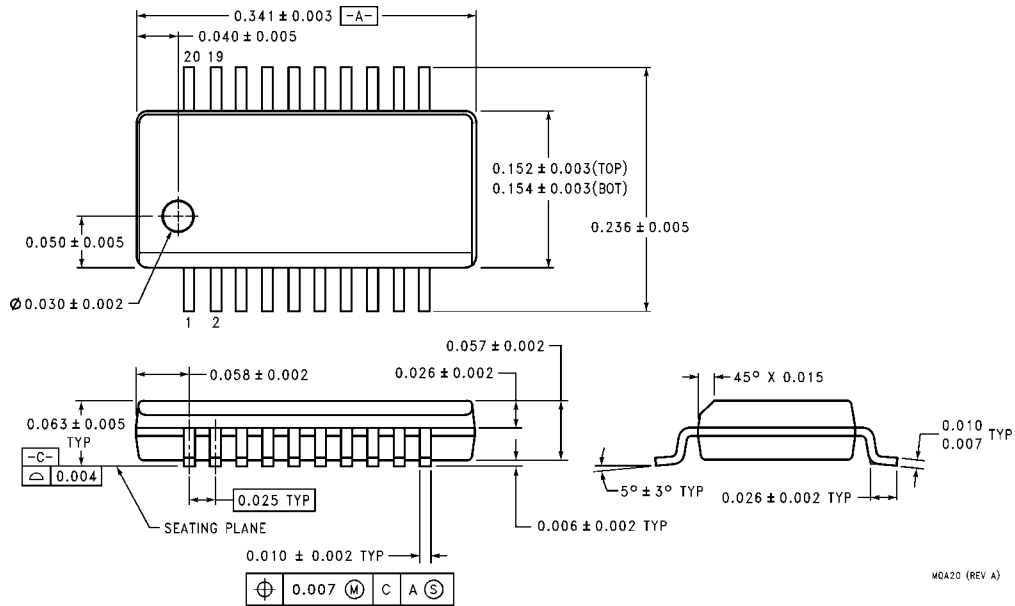
NOTES:

- A. CONFORMS TO EIAJ EDR-7320 REGISTRATION, ESTABLISHED IN DECEMBER, 1998.
- B. DIMENSIONS ARE IN MILLIMETERS.
- C. DIMENSIONS ARE EXCLUSIVE OF BURRS, MOLD FLASH, AND TIE BAR EXTRUSIONS.

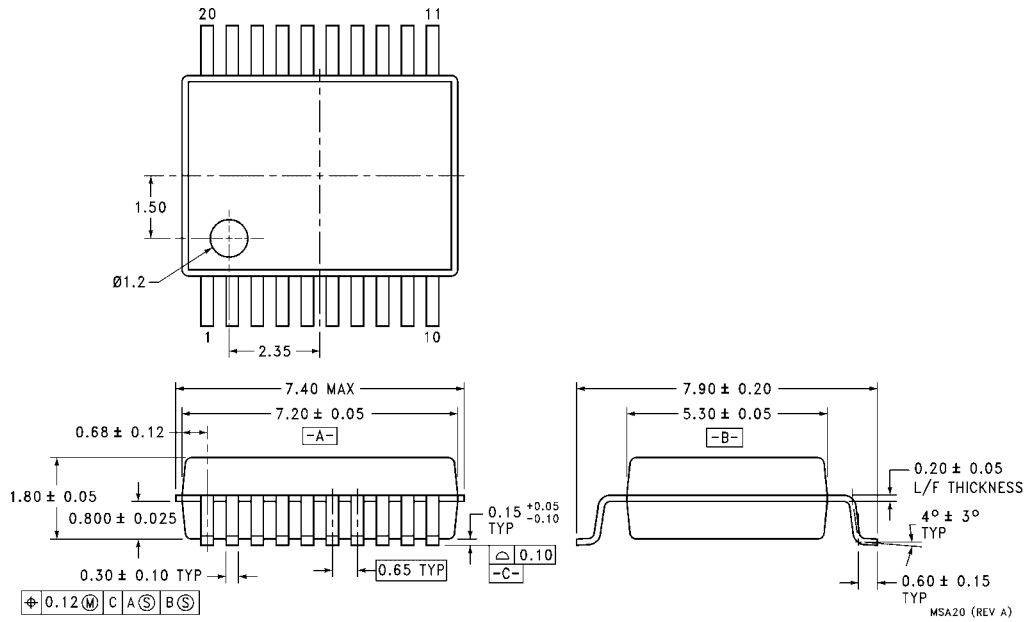
M20DRevB1

**20-Lead Small Outline Package (SOP), EIAJ TYPE II, 5.3mm Wide
Package Number M20D**

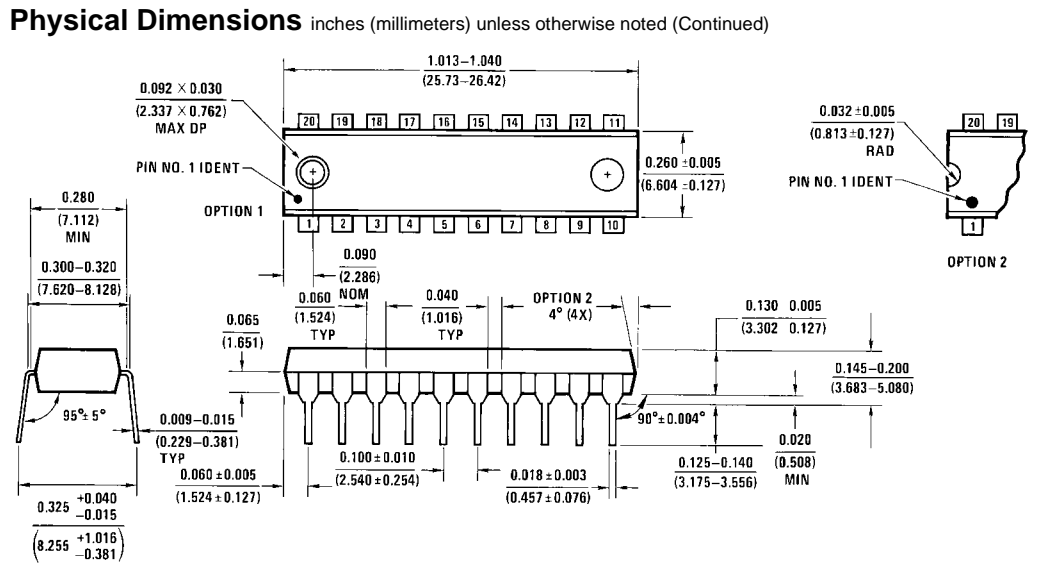
Physical Dimensions inches (millimeters) unless otherwise noted (Continued)



**20-Lead Quarter Size Outline Package (QSOP), JEDEC MO-137, 0.150" Wide
Package Number MQA20**



**20-Lead Shrink Small Outline Package (SSOP), EIAJ TYPE II, 5.3mm Wide
Package Number MSA20**



20-Lead Plastic Dual-In-Line Package (PDIP), JEDEC MS-001, 0.300" Wide
Package Number N20A

Fairchild does not assume any responsibility for use of any circuitry described, no circuit patent licenses are implied and Fairchild reserves the right at any time without notice to change said circuitry and specifications.

LIFE SUPPORT POLICY

FAIRCHILD'S PRODUCTS ARE NOT AUTHORIZED FOR USE AS CRITICAL COMPONENTS IN LIFE SUPPORT DEVICES OR SYSTEMS WITHOUT THE EXPRESS WRITTEN APPROVAL OF THE PRESIDENT OF FAIRCHILD SEMICONDUCTOR CORPORATION. As used herein:

1. Life support devices or systems are devices or systems which, (a) are intended for surgical implant into the body, or (b) support or sustain life, and (c) whose failure to perform when properly used in accordance with instructions for use provided in the labeling, can be reasonably expected to result in a significant injury to the user.
2. A critical component in any component of a life support device or system whose failure to perform can be reasonably expected to cause the failure of the life support device or system, or to affect its safety or effectiveness.

www.fairchildsemi.com