

Dual high slew rate operational amplifier

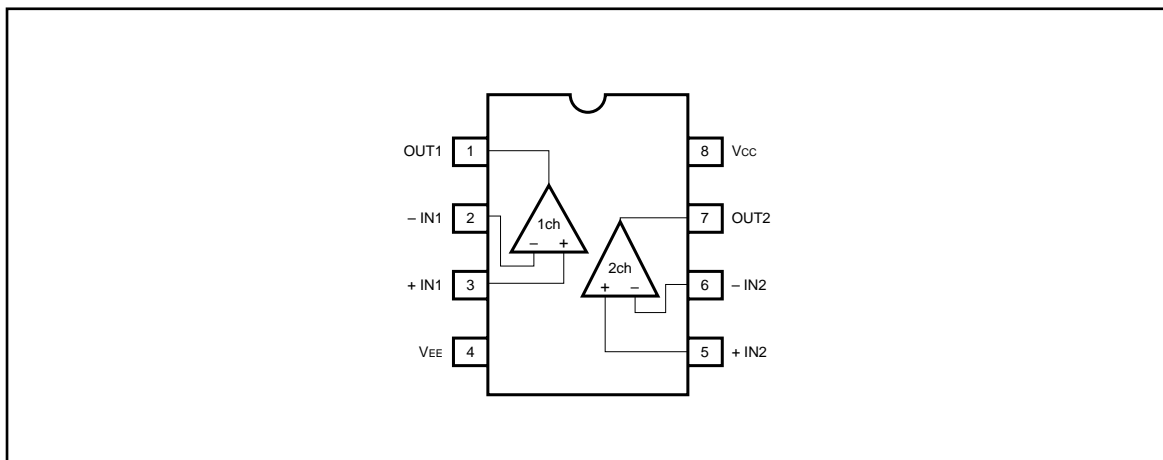
BA4510F / BA4510FV

The BA4510F and BA4510FV are monolithic ICs that contain two operational amplifiers with high slew rate, featuring phase compensation. These ICs can be driven with a low-voltage power supply, requiring a power supply range of ± 1 to $\pm 3.5V$ for a dual power supply and 2 to 7V for a single power supply. In addition, an unbuffered type is used which enables ample output even in low voltage ranges, enabling swing at up to nearly the power supply voltage.

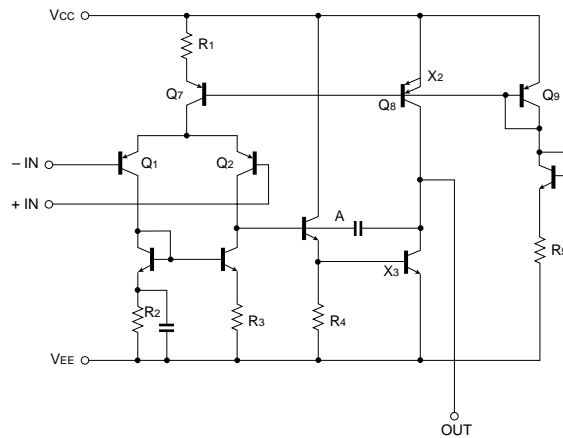
●Features

- 1) Low-voltage operation.
- 2) High slew rate.
- 3) Wide dynamic output range.
- 4) Compact 8-pin SSOP-B package. (BA4510FV)

●Block diagram



● Internal circuit configuration

● Absolute maximum ratings ($T_a = 25^\circ\text{C}$)

Parameter	Symbol	Limits	Unit
Power supply voltage	V_{CC}	± 5	V
Power dissipation	BA4510F	550^{*1} (SOP)	mW
	BA4510FV	350^{*2} (SSOP)	
Differential input voltage	V_{ID}	$\pm V_{CC}$	V
Common-mode input voltage	V_I	$0 \sim V_{CC}$	V
Operating temperature	T_{opr}	$-20 \sim +75$	$^\circ\text{C}$
Storage temperature	T_{stg}	$-40 \sim +125$	$^\circ\text{C}$

*1 If used at temperatures higher than 25°C , reduce power by 5.5mW for each 1°C above $T_a = 25^\circ\text{C}$.

This value is the value measured when mounted on a glass epoxy board ($50\text{mm} \times 50\text{mm} \times 1.6\text{mm}$).

*2 If used at temperatures higher than 25°C , reduce power by 3.5mW for each 1°C above $T_a = 25^\circ\text{C}$.

This value is the value measured when mounted on a glass epoxy board ($70\text{mm} \times 70\text{mm} \times 1.6\text{mm}$).

The value is 300mW when the IC is used alone.

●Electrical characteristics (unless otherwise noted, $T_a = 25^\circ\text{C}$, $V_{CC} = \pm 2.5\text{V}$)

Parameter	Symbol	Min.	Typ.	Max.	Unit	Conditions	
Input offset voltage	V_{IO}	—	1	6	mV	$R_S = 50\Omega$	
Input offset current	I_{IO}	—	2	200	nA		
Input bias current	I_B	—	80	500	nA	*1	
High-amplitude voltage gain	A_V	60	90	—	dB	$R_L \geq 2k\Omega$, $V_{CC} = 15\text{V}$	
Common-mode input voltage	V_{ICM}	-1.3	—	1.5	V		
Common-mode rejection ratio	CMRR	60	80	—	dB		
Power supply voltage rejection ratio	PSRR	60	80	—	dB	$R_S = 50\Omega$	
Quiescent current	I_Q	2.5	5.0	7.5	mA	$R_L = \infty$ ALL AMPS	
Output voltage	High	V_{OH}	2.0	2.4	—	V	$R_L = 2k\Omega$
	Low	V_{OL}	—	-2.4	-2.0	V	$R_L = 2k\Omega$
Slew rate	S.R.	—	5	—	$\text{V} / \mu\text{s}$		

*1 Because the first stage is configured with a PNP transistor, input bias current is from the IC.

●Electrical characteristic curve

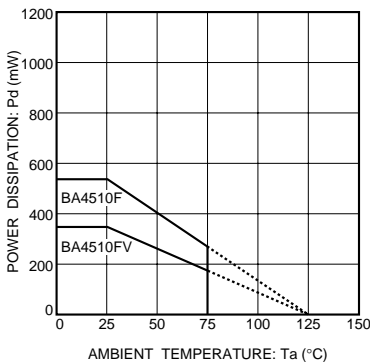


Fig. 1 Power dissipation vs. ambient temperature

●Operation notes

(1) Unused circuit connections

If there are any circuits which are not being used, we recommend making connections as shown in Figure 2, with the non-inverted input pin connected to the potential within the in-phase input voltage range (V_{ICM}).

(2) If used with a voltage follower, be careful of oscillation which may cause problems with the in-line input voltage range or the capacitance load.

(3) If using at power supply voltage + 5.0 or higher, be sure the gain is reduced sufficiently to prevent oscillation.

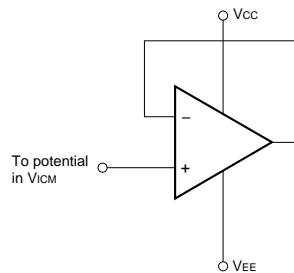


Fig. 2 Unused circuit connections

●External dimensions (Units: mm)

