



**Description**

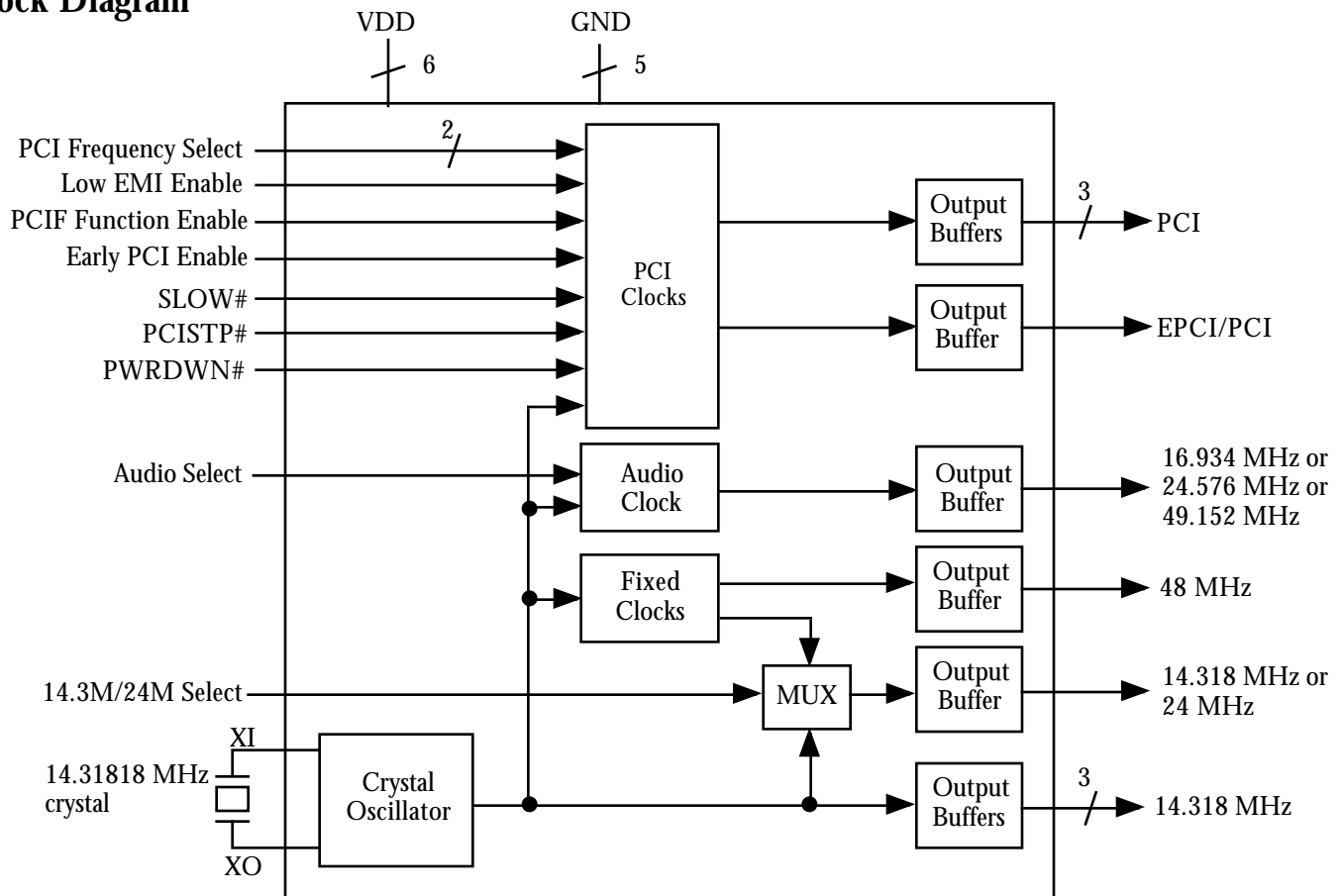
The MK1491-06 is a low cost, low jitter, high performance clock synthesizer for National Semiconductor CS5530 based computer and portable appliance applications. Using patented analog Phase-Locked Loop (PLL) techniques, the device accepts a 14.318 MHz crystal input to produce multiple output clocks. It provides selectable PCI local bus and AC97 audio clocks, 24 MHz and 48 MHz clocks for Super I/O and USB, as well as multiple Reference outputs.

The device has multiple power down modes to reduce power consumption.

**Features**

- Packaged in 28 pin, 300 mil wide SOIC or in 28 pin, 150 mil wide SSOP
- Provides all critical timing for the National Semiconductor CS5530 Geode companion chip
- Four PCI clocks
- Selectable PCIF on up to 2 outputs
- Early PCI clock selectability
- Up to 4 Reference clocks
- 48 MHz USB and 24MHz SIO support
- AC97 audio clock
- Multiple power down modes
- Low EMI Enable pin reduces EMI radiation on PCI clocks (patented)
- 3.3 V ±5% operation

**Block Diagram**





**Pin Assignment**

VDD	10	28	AC97 AUDIO(PEN)
XI	2	27	PCI
XO	3	26	VDD
GND	4	25	PCI
14.3M(TS)	5	24	PCI
14.3M	6	23	GND
GND	7	22	PCI(EPCI#)
14.3M(SEL AUDIO)	8	21	48M(LE#)
VDD	9	20	VDD
SLOW#	10	19	24M/14.3M
GND	11	18	VDD
FS	12	17	GND
SEL24	13	16	PCISTP#
VDD	14	15	PWRDWN#

**24M/14.3M Frequency Select Table**

SEL24	24M/14.3M
0	14.31818 MHz
1	24.0 MHz

**PCIF Enable Control**

PEN	Pin 25	Pin 24
0	PCI	PCI
M	PCI	PCIF
1	PCIF	PCIF

PCIF continues to run in PCI STOP mode. See table on page 4.

**AC97 Audio Frequency Select**

SEL AUDIO	AC97 AUDIO
0	16.9344 MHz
M	24.576 MHz
1	49.152 MHz

**PCI Frequency Select Table**

TS	FS	PCI
0	0	Tristate all clocks
0	1	Reserved
M	0	30 MHz
M	1	33.3 MHz
1	0	25 MHz
1	1	37.5 MHz

**Early PCI Control Table**

EPCI#	PCI (Pin 22)
0	1 ns early
1	Normal

**EMI Control**

LE#	PCI Low EMI
0	ON
1	OFF

Spread direction is DOWN..

**Pin Descriptions**

Pin #	Name	Type	Description
1, 9, 14	VDD	P	Connect to +3.3V. Must be same voltage on all pins.
2	XI	I	Crystal connection. Connect to a 14.31818 MHz crystal or input clock.
3	XO	O	Crystal connection. Connect to a 14.31818 MHz crystal, or leave unconnected for clock.
4, 7, 11, 17, 23	GND	P	Connect to Ground.
5	14.3M(TS)	TI/O	14.318 MHz output. Input control for all clocks per table above.
6	14.3M	O	14.318 MHz buffered reference clock output.
8	14.3M(SEL AUDIO)	TI/O	14.318 MHz output and audio frequency select input per table above.
10	SLOW#	I	PCI normal or slow mode select input per table on page 4.
12	FS	I	Frequency Select for PCI clocks per table above.
13	SEL24	I	Fixed frequency select input per table above. Selects frequency on pin 19.
15	PWRDWN#	I	Power down control; defined in table on page 4.
16	PCISTP#	I	PCI Stop power down control; defined in table on page 4.
18, 20, 26	VDD	P	Connect to +3.3V. Must be same voltage on all pins.
19	24M/14.3M	O	Fixed frequency clock output per table above.
21	48(LE#)	I/O	Fixed frequency clock output and low EMI (spread spectrum) enable input per table above.
22	PCI(EPCI#)	I/O	PCI Output clock that can be early. Input control for Early PCI per table above.
24	PCI	O	PCI Output clock. PCI/PCIF control set by PEN per table above.
25	PCI	O	PCI Output clock. PCI/PCIF control set by PEN per table above.
27	PCI	O	PCI Output clock.
28	AC97 AUDIO(PEN)	TI/O	Audio clock output and PCIF Function Enable per table above.

Key: I = Input, TI = tri-level input, O = Output, P = Power supply connection, (T)I/O = Input on power up, becomes an Output after 10ms. Weak internal pull-up resistors are present on SEL24, EPCI#, FS, LE#, PCISTP#, and SLOW#. These pins should be tied to VDD or GND, and not be left floating. Internal resistors on PEN, SEL AUDIO, and TS pull to a mid-level (M).

**Electrical Specifications**

Parameter	Conditions	Minimum	Typical	Maximum	Units
<b>ABSOLUTE MAXIMUM RATINGS (note 2)</b>					
Supply voltage, VDD	Referenced to GND			7	V
Inputs and Clock Outputs	Referenced to GND	-0.5		VDD+0.5	V
Ambient Operating Temperature		0		70	°C
Soldering Temperature	Max of 10 seconds			260	°C
Storage temperature		-65		150	°C
<b>DC CHARACTERISTICS (VDD = 3.3V unless noted)</b>					
Operating Voltage, VDD		3.1	3.3	3.45	V
Input High Voltage, VIH		2			V
Input Mid-Level Voltage, VIM		1.2	1.4	1.6	V
Input Low Voltage, VIL				0.8	V
Output High Voltage, VOH	IOH=-8mA	2.4			V
Output Low Voltage, VOL	IOL=8mA			0.4	V
Output High Voltage, VOH	IOH=-8mA	VDD-0.4			V
Operating Supply Current, IDD	No Load, 33.3 MHz		30		mA
Power Down mode Supply Current			15		μ
Short Circuit Current, single output driver	VDD=3.3V		±60		mA
Input Capacitance			7		pF
<b>AC CHARACTERISTICS (VDD = 3.3V unless noted)</b>					
Input Frequency			14.31818		MHz
Output Clock Rise Time	0.8 to 2.0V			1.5	ns
Output Clock Fall Time	2.0 to 0.8V			1.5	ns
Output Clock Duty Cycle, all MHz clocks	At 1.5V	45	49 to 51	55	%
PCI Output to Output Skew	Rising edges at 1.5V			500	ps
Skew of EPCI with respect to PCI			1		ns
Cycle to Cycle Jitter, PCI clocks			250		ps
EMI reduction, peaks of 5th - 19th odd harmonics	33.3 MHz PCI clock		6	11	dB
Power up time, PWRDWN# high to all clocks stable			8	20	ms
Power on time, applied VDD to all clocks stable			12	25	ms

Note: Stresses beyond those listed under Absolute Maximum Ratings could cause permanent damage to the device. Prolonged exposure to levels above the operating limits but below the Absolute Maximums may affect device reliability.



## Power Down Control Table

PCISTP#	PWRDWN#	SLOW#	MODE	PCI	PCIF	24/14.3	14.3	DESCRIPTION
X	0	X	Power Down	LOW	LOW	LOW	LOW	All outputs low. PLLs and Oscillator off.
0	1	X	PCI STOP	LOW	ON	ON	ON	PCI clocks synchronously enter and leave low state.
1	1	X	ON	ON	ON	ON	ON	All Clocks On.

Key: 1 = connected to VDD, 0 = connected to ground, X = any valid logic level, Combination Input/Outputs should be connected to VDD or Ground through a 10 k resistor as shown below.

## Power-On Default Conditions

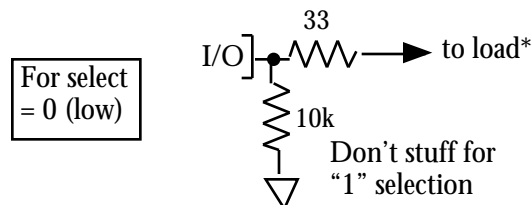
Input Pin#	Function	Default	Condition
5	TS	M	All outputs enabled.
8	SEL AUDIO	M	Audio clock (pin 28) set to 24.576 MHz
10	SLOW#	1	PCI clocks set to 33.3 MHz. Refer to Power Down Control Table above.
12	FS	1	PCI frequency = 33.3 MHz.
13	SEL24	1	24M/14.3M (pin 19) set to 24 MHz.
15	PWRDWN#	1	All clocks running.
16	PCISTP#	1	PCI clocks running.
21	LE#	1	Low EMI function OFF
22	EPCI#	1	Pin 22 set to normal PCI signal (not early).
28	PEN	M	PCI (pin 25) set to PCI clock (33.33 MHz). PCI (pin 24) set to PCIF clock (33.33 MHz).

## External Components

The MK1491-06 requires some inexpensive external components for proper operation. Decoupling capacitors of 0.1µF should be connected on each VDD pin to ground, as close to the MK1491-06 as possible. A series termination resistor of 33 may be used for each clock output. See the discussion below for other external resistors required for proper I/O operation. The 14.3 MHz oscillator has internal caps that provide the proper load for a parallel resonant crystal with  $C_L=18$  pF. For tuning with other values of  $C_L$ , the formula  $2*(C_L-18)$  gives the value of each capacitor that should be connected between X1 and ground and X2 and ground.

## I/O Structure

The MK1491-06 provides more functionality in a 28 pin package by using a unique I/O technique. The device checks the status of all I/O pins during power-up and at exit from the Power Down state. This status (pulled high, low, or mid-level) then determines the frequency selections and power down modes (see the tables on pages 2 and 4). Within 10ms after power up, the inputs change to outputs and the clocks start up. In the diagrams to the right, the 33 resistors are the normal output termination resistors. The 10k resistor pulls low to generate a logic zero. Weak internal pull-up resistors are present on SEL24, EPCI#, FS, LE#, PCISTP#, and SLOW#. These pins should be connected directly to VDD or GND if not under active control. Internal resistors on PEN, SEL AUDIO, and TS pull to a mid-level (M).



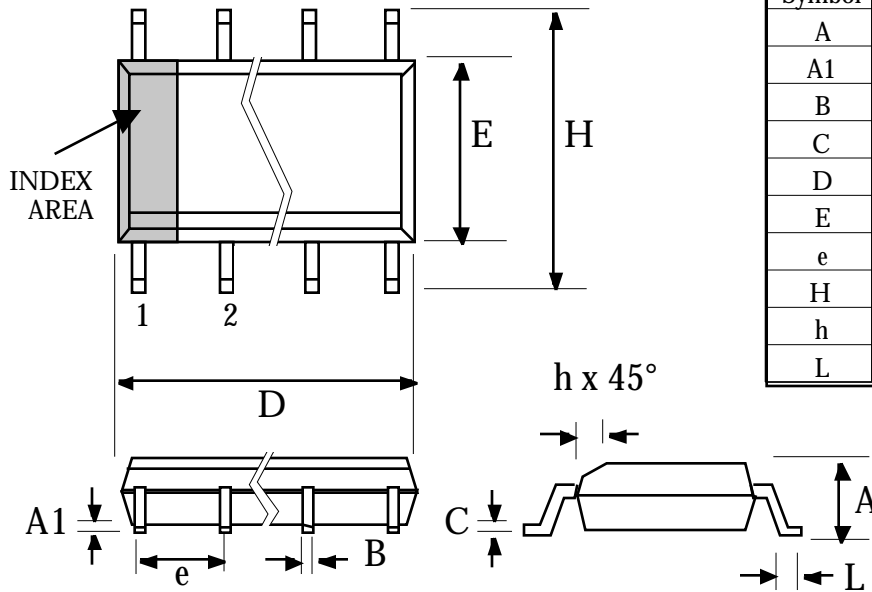
\*Note: Do not use a TTL load. This will overcome the 10 k pulldown and force the input to a logic 1.



Package Outline and Package Dimensions

(For current dimensional specifications, see JEDEC Publication No. 95.)

28 pin SOIC



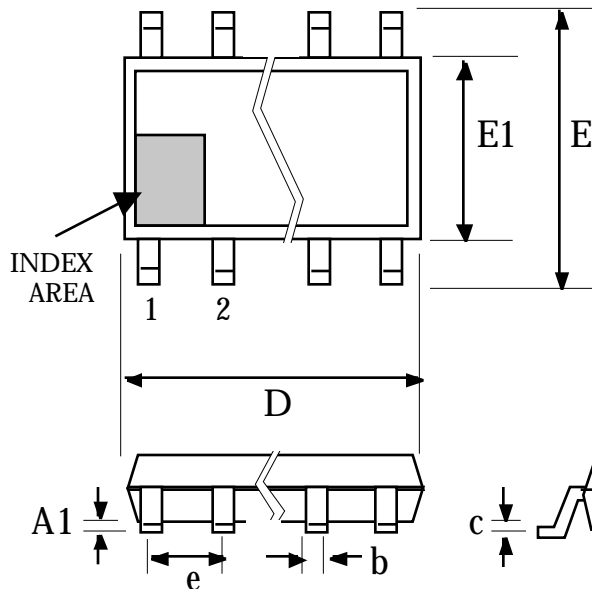
Symbol	Inches		Millimeters	
	Min	Max	Min	Max
A	--	0.104	--	2.65
A1	0.0040	--	0.10	--
B	0.013	0.020	0.33	0.51
C	0.007	0.013	0.18	0.33
D	0.697	0.724	17.70	18.39
E	0.291	0.299	7.40	7.60
e	.050 BSC		1.27 BSC	
H	0.394	0.419	10.01	10.64
h	0.01	0.029	0.25	0.74
L	0.016	0.050	0.41	1.27



**Package Outline and Package Dimensions**

(For current dimensional specifications, see JEDEC Publication No. 95.)

**28 pin SSOP**



Symbol	Inches		Millimeters	
	Min	Max	Min	Max
A	0.053	0.069	1.35	1.75
A1	0.004	0.010	0.10	0.25
b	0.008	0.012	0.20	0.30
c	0.007	0.010	0.19	0.25
D	0.386	0.394	9.80	10.01
e	.025 BSC		0.65 BSC	
E	0.228	0.244	5.79	6.20
E1	0.150	0.157	3.81	3.99
L	0.016	0.050	0.41	1.27

**Ordering Information**

Part/Order Number	Marking	Low EMI Feature	Package	Temperature
MK1491-06R	MK1491-06R	Yes	28 pin SSOP	0 to 70°C
MK1491-06RTR	MK1491-06R	Yes	Add Tape & Reel	0 to 70°C
MK1491-06S	MK1491-06S	Yes	28 pin SOIC	0 to 70°C
MK1491-06STR	MK1491-06S	Yes	Add Tape & Reel	0 to 70°C

While the information presented herein has been checked for both accuracy and reliability, ICS assumes no responsibility for either its use or for the infringement of any patents or other rights of third parties, which would result from its use. No other circuits, patents, or licenses are implied. This product is intended for use in normal commercial applications. Any other applications such as those requiring extended temperature range, high reliability, or other extraordinary environmental requirements are not recommended without additional processing by ICS. ICS reserves the right to change any circuitry or specifications without notice. ICS does not authorize or warrant any ICS product for use in life support devices or critical medical instruments.

Geode is a trademark of National Semiconductor Corporation