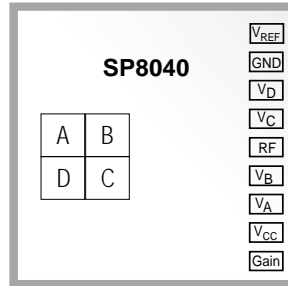


## 4 Channel, 100MHz Fully Integrated PDIC Receiver

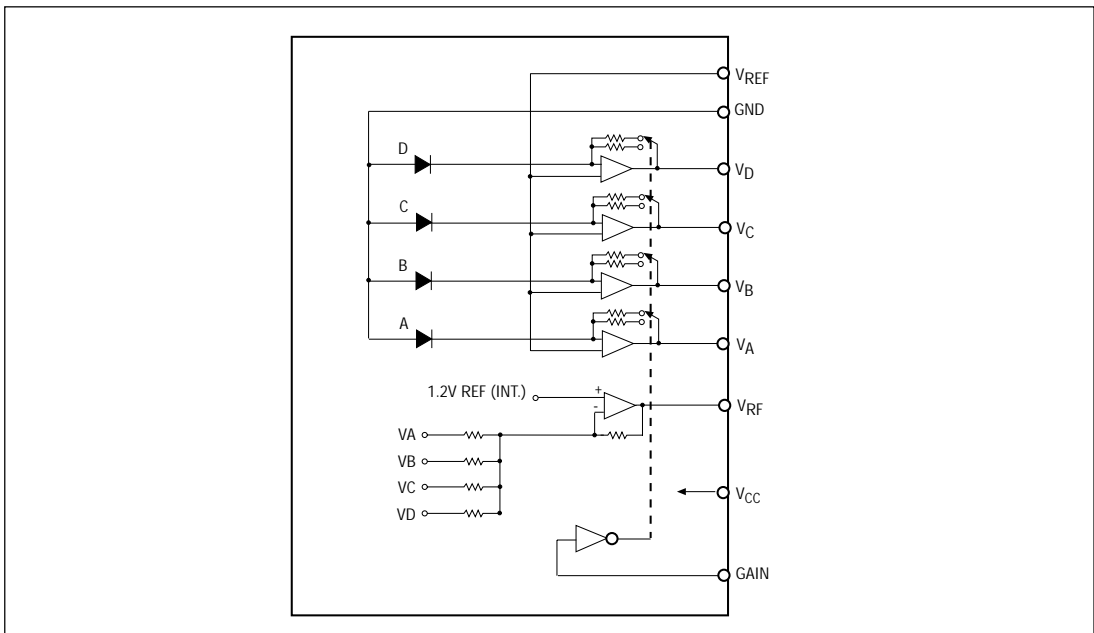
- Data Channel Bandwidth 100MHz
- Two Selectable Gain Settings
- Group Delay Error less than 1ns at 52MHz
- Low Offset Drift of less than 40uV/ °C
- Low Offset Voltage of less than 25mV
- Low Noise - 77dB in Low Gain Mode



### DESCRIPTION

The SP8040 is a high performance 4 channel PDIC with a fully integrated photo detector array ideally suited for high speed DVDRW, DVDRAM and CDRW systems that incorporate separate paths for CD and DVD information. Responsivity is fully specified at 650nm. There are 4 high speed channels (A, B, C, D) for data detection and an additional output,  $V_{RF}$ , representing the sum of the high speed channels.

The SP8040 is manufactured with an advanced, CMOS process that enables integration of on-board multiple photo detector arrays.



SP8040 Block Diagram



SIGNAL PROCESSING EXCELLENCE

**Sipex Corporation**

**Headquarters and  
Sales Office**  
22 Linnell Circle  
Billerica, MA 01821  
TEL: (978) 667-8700  
FAX: (978) 670-9001  
e-mail: sales@sipex.com

**Sales Office**  
233 South Hillview Drive  
Milpitas, CA 95035  
TEL: (408) 934-7500  
FAX: (408) 935-7600

Sipex Corporation reserves the right to make changes to any products described herein. Sipex does not assume any liability arising out of the application or use of any product or circuit described herein; neither does it convey any license under its patent rights nor the rights of others.