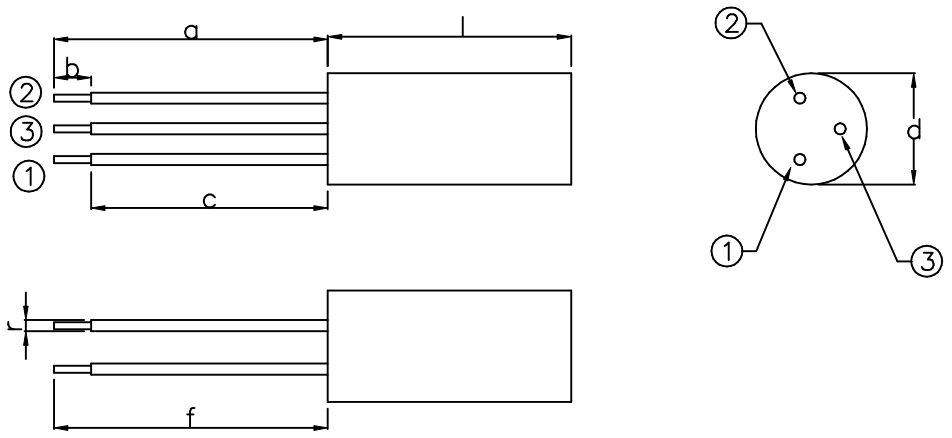


MECHANICAL DATA



Dimensions (mm)

e : 8 min (3x)
l : 35+/-0.3
d : 16+/-0.3 dia
r : app 1.5 dia(3x)
a : 85+/-5
b : 8+/-1.5(3x)

c : 85+/-5
f : 85+/-5
n :
g :
:
:

:
:
:
:
:

Pin no.1	Primary (Blue)	Pin no.2	Primary & Secondary (Red)
Pin no.3	Secondary HV (Brown)		

Remarks :

Operating temperature -30°C to +80°C

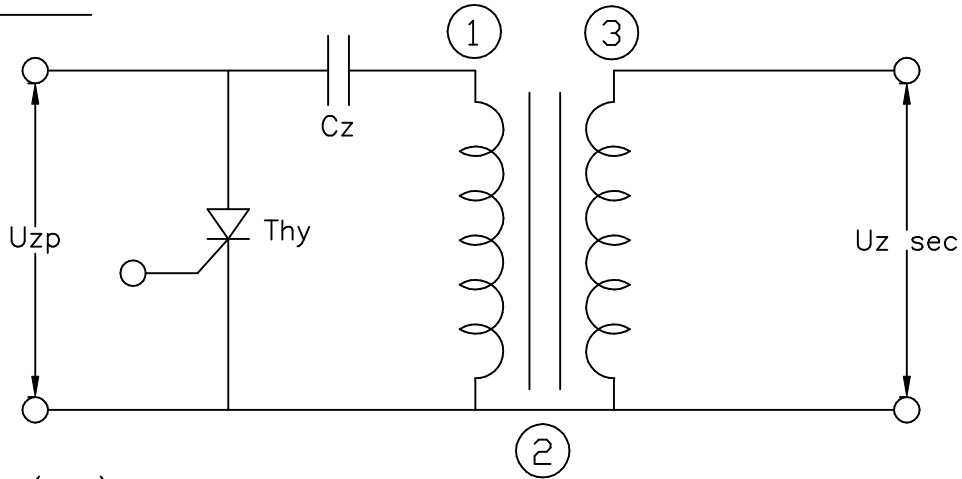
				Number of sheets 2	Sheet no. 1
				Drawn by	Datum-Date 10.7.01
				Checked by	Sign. Chong SP
				Typ-Type ZS 1031	
Index	Changes	Date	Sign.		



PerkinElmer™
optoelectronics.

47 Ayer Rajah Crescent #06-12
Singapore 139947
Tel : (065) 67752022
Fax : (065) 67782370

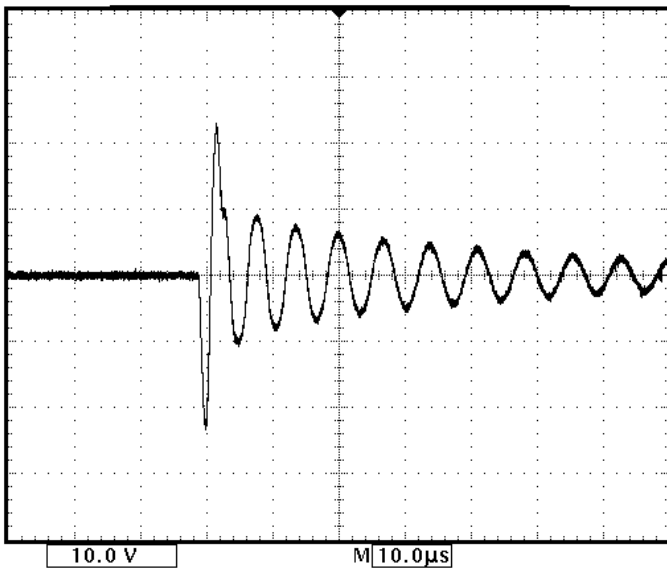
OPERATING DATA



Dimensions (mm)

ITEMS	PRIMARY	SECONDARY
Resistance	58+/-8 mohm	125+/-15 ohm
Primary Voltage, Uzp	Uzp = 400V	---
Primary Capacitance, Cz	0.47 uF	---
Polarity of 1st peak	---	1st peak Negative
Secondary Voltage, Uz	---	26+/-3 kV
Inductance @ 1kHz	11+/-3 uH	53+/-7 mH

Typical waveform :



Unloaded high voltage output
10 us/div 10 kV/div

				Number of sheets 2	Sheet no. 2
				Date 14.8.01	Sign. Chong SP
				Drawn by	
				Checked by	
				Type ZS 1031	
Index	Changes	Date	Sign.		



47 Ayer Rajah Crescent #06-12
Singapore 139947
Tel : (065) 67752022
Fax : (065) 67782370