



## HIGH SPEED 16K x 8 CMOS EPROM

### KEY FEATURES

- **Very Fast Access Time**  
— 35 ns
- **Low Power Consumption**
- **EPI Processing**  
— Latch-up Immunity Up to 200 mA
- **Standard EPROM Pinout**
- **DIP and Surface Mount Packaging Available**

### GENERAL DESCRIPTION

The WS57C128FB is a High Performance 128K UV Erasable Electrically Programmable Read Only Memory. It is manufactured with an advanced CMOS technology which enables it to operate at Bipolar speeds while consuming only 90 mA.

Two major features of the WS57C128FB are its Low Power and High Speed. These features make it an ideal solution for applications which require fast access times, low power, and non-volatility. Typical applications include systems which do not utilize mass storage devices and/or are board space limited.

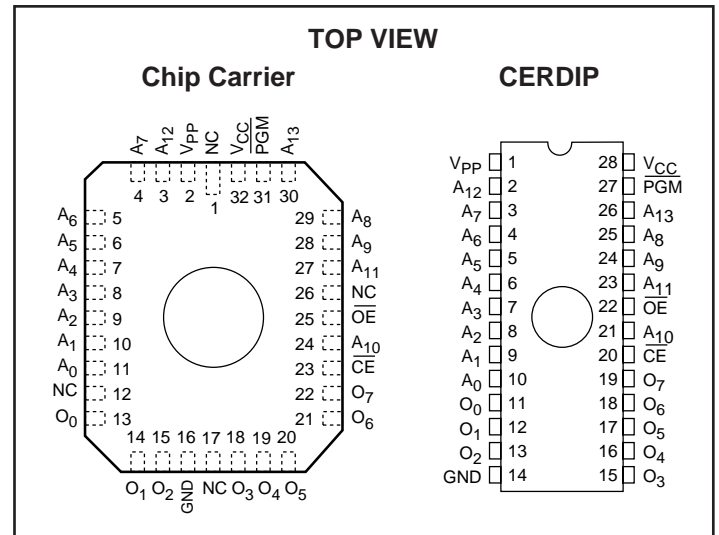
The WS57C128FB is configured in the standard EPROM pinout which provides an easy upgrade path for systems which are currently using standard EPROMs. The EPROMs are available in both 600 Mil DIP packages, and both J-leaded and leadless surface mount packages.

### MODE SELECTION

MODE \ PINS	PINS					
	PGM	CE	OE	V <sub>PP</sub>	V <sub>CC</sub>	OUTPUTS
Read	X	V <sub>IL</sub>	V <sub>IL</sub>	V <sub>CC</sub>	V <sub>CC</sub>	D <sub>OUT</sub>
Output Disable	X	X	V <sub>IH</sub>	V <sub>CC</sub>	V <sub>CC</sub>	High Z
Standby	X	V <sub>IH</sub>	X	V <sub>CC</sub>	V <sub>CC</sub>	High Z
Program	V <sub>IL</sub>	V <sub>IL</sub>	V <sub>IH</sub>	V <sub>PP</sub>	V <sub>CC</sub>	D <sub>IN</sub>
Program Verify	V <sub>IH</sub>	V <sub>IL</sub>	V <sub>IL</sub>	V <sub>PP</sub>	V <sub>CC</sub>	D <sub>OUT</sub>
Program Inhibit	X	V <sub>IH</sub>	X	V <sub>PP</sub>	V <sub>CC</sub>	High Z

X can be V<sub>IL</sub> or V<sub>IH</sub>.

### PIN CONFIGURATION



### PRODUCT SELECTION GUIDE

PARAMETER	WS57C128FB-35	WS57C128FB-45	WS57C128FB-55	WS57C128FB-70
Address Access Time (Max)	35 ns	45 ns	55 ns	70 ns
Chip Select Time (Max)	35 ns	45 ns	55 ns	70 ns
Output Enable Time (Max)	20 ns	25 ns	25 ns	25 ns

**ABSOLUTE MAXIMUM RATINGS\***

Storage Temperature.....-65° to + 150°C  
 Voltage on any Pin with  
 Respect to Ground .....-0.6V to +7V  
 V<sub>PP</sub> with Respect to Ground.....-0.6V to + 13V  
 ESD Protection.....>2000V

**\*NOTICE:**

Stresses above those listed under "Absolute Maximum Ratings" may cause permanent damage to the device. This is a stress rating only and functional operation of the device at these or any other conditions above those indicated in the operational sections of this specification is not implied. Exposure to absolute maximum rating conditions for extended periods of time may affect device reliability.

**OPERATING RANGE**

RANGE	TEMPERATURE	V <sub>CC</sub>
Commercial	0°C to +70°C	+5V ± 10%
Industrial	-40°C to +85°C	+5V ± 10%
Military	-55°C to +125°C	+5V ± 10%

**DC READ CHARACTERISTICS** Over Operating Range with V<sub>PP</sub> = V<sub>CC</sub>

SYMBOL	PARAMETER	TEST CONDITIONS	MIN	MAX	UNITS
V <sub>IL</sub>	Input Low Voltage	(Note 5)	-0.1	0.8	V
V <sub>IH</sub>	Input High Voltage	(Note 5)	2.0	V <sub>CC</sub> + 0.3	V
V <sub>OL</sub>	Output Low Voltage	I <sub>OL</sub> = 16 mA		0.4	V
V <sub>OH</sub>	Output High Voltage	I <sub>OH</sub> = -4 mA	2.4		V
I <sub>SB1</sub>	V <sub>CC</sub> Standby Current (CMOS)	(Notes 1 and 3)		500	µA
I <sub>SB2</sub>	V <sub>CC</sub> Standby Current (TTL)	(Notes 2 and 3)		15	mA
I <sub>CC1</sub>	V <sub>CC</sub> Active Current (CMOS)	(Notes 1 and 4) Outputs Not Loaded	Comm'l	30	mA
			Industrial	40	mA
			Military	40	mA
I <sub>CC2</sub>	V <sub>CC</sub> Active Current (TTL)	(Notes 2 and 4) Outputs Not Loaded	Comm'l	50	mA
			Industrial	60	mA
			Military	60	mA
I <sub>PP</sub>	V <sub>PP</sub> Supply Current	V <sub>PP</sub> = V <sub>CC</sub>		100	µA
V <sub>PP</sub>	V <sub>PP</sub> Read Voltage		V <sub>CC</sub> - 0.4	V <sub>CC</sub>	V
I <sub>LI</sub>	Input Leakage Current	V <sub>IN</sub> = 5.5V or Gnd	-10	10	µA
I <sub>LO</sub>	Output Leakage Current	V <sub>OUT</sub> = 5.5 V or Gnd	-10	10	µA

**NOTES:**  
 1. CMOS inputs: GND ± 0.3V or V<sub>CC</sub> ± 0.3V.  
 2. TTL inputs: V<sub>IL</sub> ≤ 0.8V, V<sub>IH</sub> ≥ 2.0V.  
 3. Add 1 mA/MHz for A.C. power component.

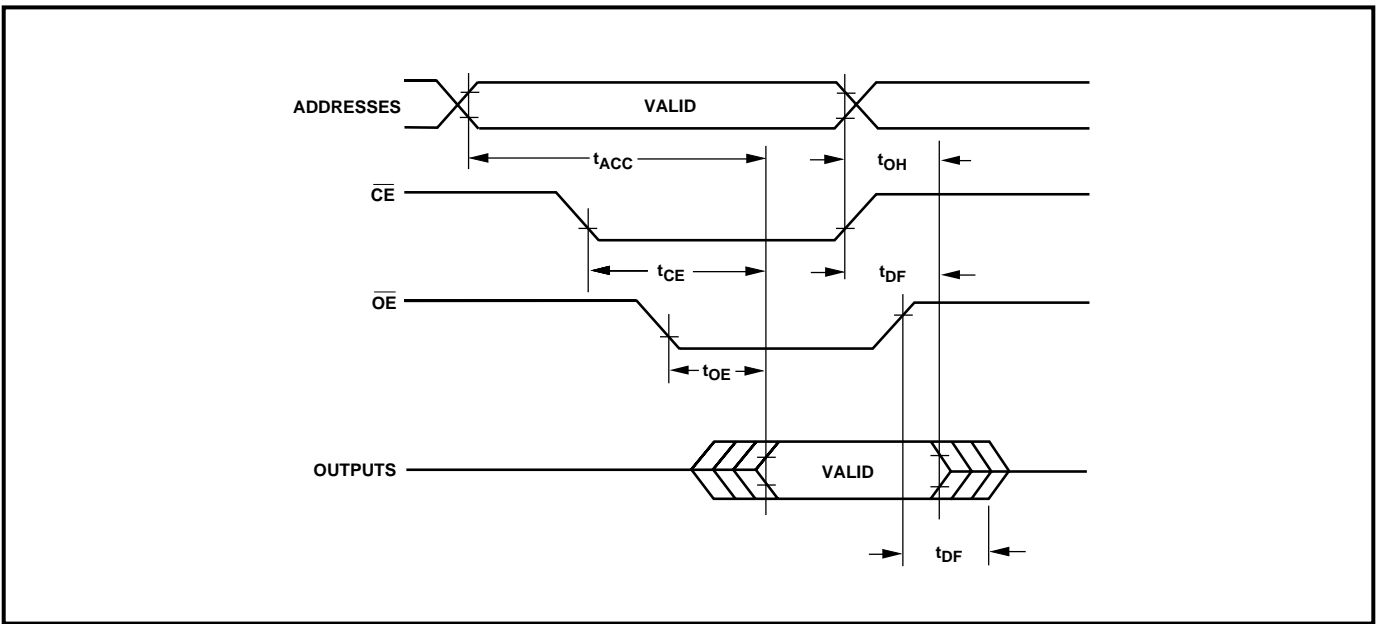
4. Add 4 mA/MHz for A.C. power component.  
 5. These are absolute voltages with respect to device ground pin and include all overshoots due to system and/or tester noise.  
 Do not attempt to test these values without suitable equipment.

**AC READ CHARACTERISTICS** Over Operating Range with V<sub>PP</sub> = V<sub>CC</sub>

PARAMETER	SYMBOL	57C128FB-35		57C128FB-45		57C128FB-55		57C128FB-70		UNITS
		MIN	MAX	MIN	MAX	MIN	MAX	MIN	MAX	
Address to Output Delay	t <sub>ACC</sub>		35		45		55		70	ns
$\overline{\text{CE}}$ to Output Delay	t <sub>CE</sub>		35		45		55		70	
$\overline{\text{OE}}$ to Output Delay	t <sub>OE</sub>		20		25		25		25	
Output Disable to Output Float	t <sub>DF</sub>		20		25		25		25	
Address to Output Hold	t <sub>OH</sub>	0		0		0		0		



**AC READ TIMING DIAGRAM**



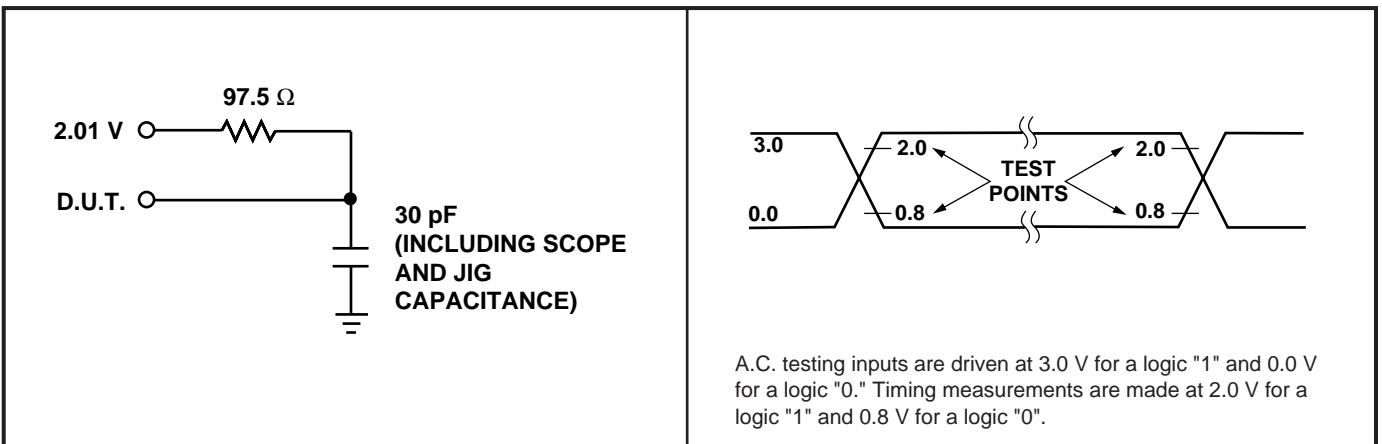
**CAPACITANCE**<sup>(6)</sup>  $T_A = 25^\circ\text{C}$ ,  $f = 1\text{ MHz}$

SYMBOL	PARAMETER	CONDITIONS	TYP <sup>(7)</sup>	MAX	UNITS
$C_{IN}$	Input Capacitance	$V_{IN} = 0\text{ V}$	4	6	pF
$C_{OUT}$	Output Capacitance	$V_{OUT} = 0\text{ V}$	8	12	pF
$C_{VPP}$	$V_{PP}$ Capacitance	$V_{PP} = 0\text{ V}$	18	25	pF

NOTES: 6. This parameter is only sampled and is not 100% tested.  
 7. Typical values are for  $T_A = 25^\circ\text{C}$  and nominal supply voltages.

**TEST LOAD** (High Impedance Test Systems)

**A.C. TESTING INPUT/OUTPUT WAVEFORM**



NOTE: 8. Provide adequate decoupling capacitance as close as possible to this device to achieve the published A.C. and D.C. parameters. A 0.1 microfarad capacitor in parallel with a 0.01 microfarad capacitor connected between  $V_{CC}$  and ground is recommended. Inadequate decoupling may result in access time degradation or other transient performance failures.

**PROGRAMMING INFORMATION**

**DC CHARACTERISTICS** ( $T_A = 25 \pm 5^\circ\text{C}$ ,  $V_{CC} = 6.25 \text{ V} \pm 0.25 \text{ V}$ ,  $V_{PP} = 12.75 \pm 0.25 \text{ V}$ )

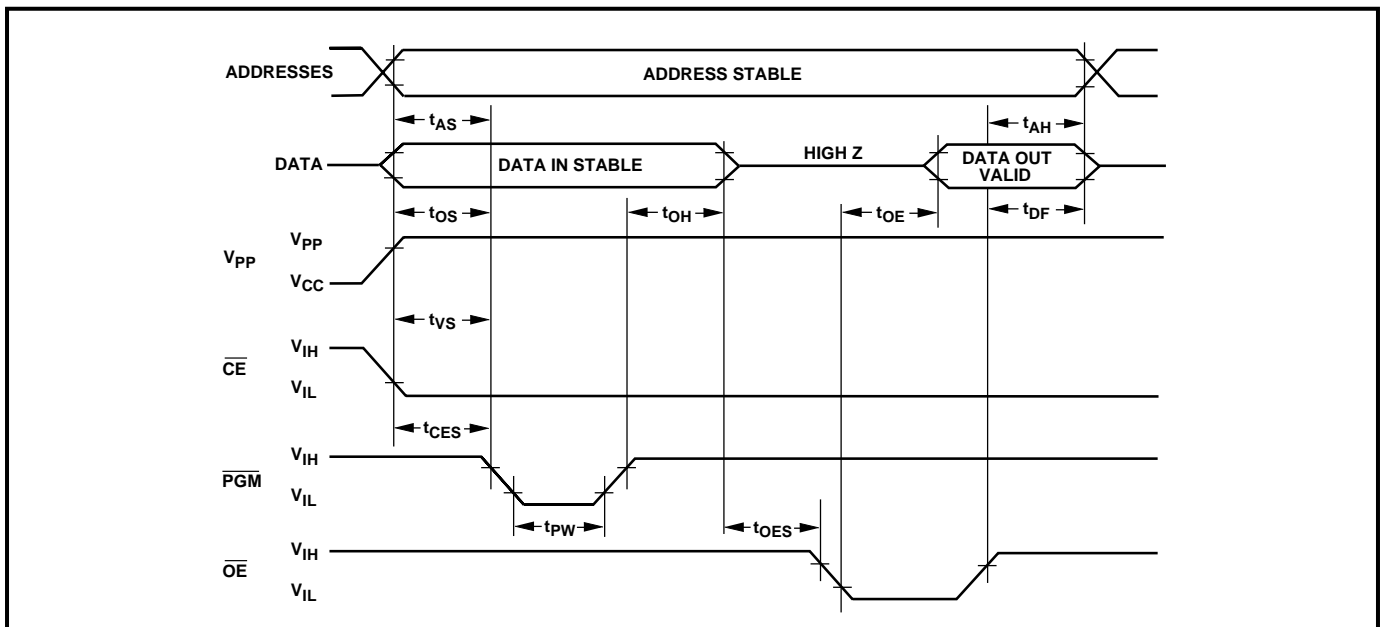
SYMBOLS	PARAMETER	MIN	MAX	UNITS
$I_{LI}$	Input Leakage Current ( $V_{IN} = V_{CC}$ or Gnd)	-10	10	$\mu\text{A}$
$I_{PP}$	$V_{PP}$ Supply Current During Programming Pulse ( $\overline{CE} = \overline{PGM} = V_{IL}$ )		60	mA
$I_{CC}$	$V_{CC}$ Supply Current		30	mA
$V_{OL}$	Output Low Voltage During Verify ( $I_{OL} = 16 \text{ mA}$ )		0.4	V
$V_{OH}$	Output High Voltage During Verify ( $I_{OH} = -4 \text{ mA}$ )	2.4		V

- NOTE:**
- $V_{CC}$  must be applied either coincidentally or before  $V_{PP}$  and removed either coincidentally or after  $V_{PP}$ .
  - $V_{PP}$  must not be greater than 13 volts including overshoot. During  $\overline{CE} = \overline{PGM} = V_{IL}$ ,  $V_{PP}$  must not be switched from 5 volts to 12.5 volts or vice-versa.
  - During power up the  $\overline{PGM}$  pin must be brought high ( $\geq V_{IH}$ ) either coincident with or before power is applied to  $V_{PP}$ .

**AC CHARACTERISTICS** ( $T_A = 25 \pm 5^\circ\text{C}$ ,  $V_{CC} = 6.25 \text{ V} \pm 0.25 \text{ V}$ ,  $V_{PP} = 12.75 \pm 0.25 \text{ V}$ )

SYMBOLS	PARAMETER	MIN	TYP	MAX	UNITS
$t_{AS}$	Address Setup Time	2			$\mu\text{s}$
$t_{CES}$	Chip Enable Setup Time	2			$\mu\text{s}$
$t_{OES}$	Output Enable Setup Time	2			$\mu\text{s}$
$t_{OS}$	Data Setup Time	2			$\mu\text{s}$
$t_{AH}$	Address Hold Time	0			$\mu\text{s}$
$t_{OH}$	Data Hold Time	2			$\mu\text{s}$
$t_{DF}$	Chip Disable to Output Float Delay	0		130	ns
$t_{OE}$	Data Valid From Output Enable			130	ns
$t_{VS}$	$V_{PP}$ Setup Time	2			$\mu\text{s}$
$t_{PW}$	$\overline{PGM}$ Pulse Width	100		200	$\mu\text{s}$

**PROGRAMMING WAVEFORM**



**ORDERING INFORMATION**

PART NUMBER	SPEED (ns)	PACKAGE TYPE	PACKAGE DRAWING	OPERATING TEMPERATURE RANGE	WSI MANUFACTURING PROCEDURE
WS57C128FB-35D	35	28 Pin CERDIP, 0.6"	D2	Comm'l	Standard
WS57C128FB-45D	45	28 Pin CERDIP, 0.6"	D2	Comm'l	Standard
WS57C128FB-45DMB	45	28 Pin CERDIP, 0.6"	D2	Military	MIL-STD-883C
WS57C128FB-45J	45	32 Pin PLDCC	J4	Comm'l	Standard
WS57C128FB-45L	45	32 Pin CLDCC	L3	Comm'l	Standard
WS57C128FB-55CMB	55	32 Pad CLLCC	C2	Military	MIL-STD-883C
WS57C128FB-55D	55	28 Pin CERDIP, 0.6"	D2	Comm'l	Standard
WS57C128FB-55DMB	55	28 Pin CERDIP, 0.6"	D2	Military	MIL-STD-883C
WS57C128FB-70D	70	28 Pin CERDIP, 0.6"	D2	Comm'l	Standard
WS57C128FB-70DM	70	28 Pin CERDIP, 0.6"	D2	Military	Standard
WS57C128FB-70DMB	70	28 Pin CERDIP, 0.6"	D2	Military	MIL-STD-883C

**NOTE:** 12. The actual part marking will not include the initials "WS."

**PROGRAMMING/ALGORITHMS/ERASURE/PROGRAMMERS**

**REFER TO  
PAGE 5-1**

The WS57C128FB is programmed using Algorithm D shown on page 5-9.