

SINGLE SUPPLY RS232C LINE DRIVER/RECEIVER

■ GENERAL DESCRIPTION

The NJU6413A is a single power supply RS232C line driver/receiver composed of DC-DC converter, 2 drivers and 2 receivers.

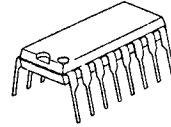
The DC-DC converter is a capacitive type converter and generates RS232C voltage from single 5V supply.

The drivers convert the inputs of TTL level signals into RS232C level signals and limit the slew rate below 30V/μs.

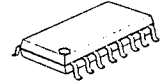
The receiver accepts the input levels both of RS-232C standard minimum requirement level(±3V) and TTL level.

Furthermore, the hysteresis circuit and noise filter incorporated on each receiver ensures noise-free operation.

■ PACKAGE OUTLINE



NJU6413AD

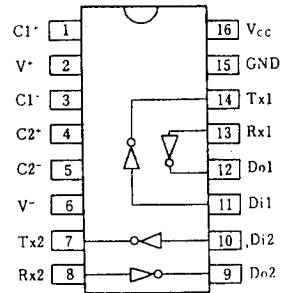


NJU6413AM

■ FEATURES

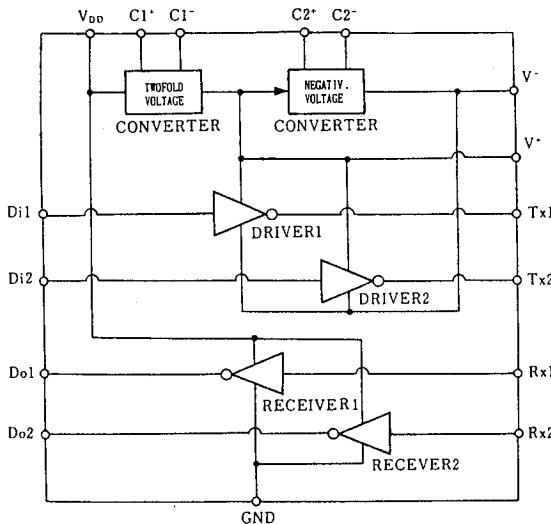
- Based on the RS232C Standard
- DC-DC Converter On-chip
- 2 Drivers and 2 Receivers
- Low Operating Current
- Driver Output Voltage --- ±25V
- Receiver Input Voltage --- ±27V
- Output Impedance at Power-off (Driver) --- 300Ω (Min)
- Slew Rate (Driver) --- 30V/μs (Max)
- TTL-compatible Input (Driver)
- TTL-compatible Input/Output (Receiver)
- Hysteresis Input (Receiver)
- Noise Filter On-chip
- Package Outline --- DIP 16/DMP 16
- C-MOS Technology

■ PIN CONFIGURATION



NJU6413AD/AM

■ BLOCK DIAGRAM



■ TERMINAL DESCRIPTION

PIN No.	SYMBOL	FUNCTION	PIN No.	SYMBOL	FUNCTION
1	V1 ⁺	External Capacitor 1(+)	7, 14	Tx2, Tx1	Driver Output
2	V ⁺	DC/DC Converter Positive Voltage Output	8, 13	Rx2, Rx1	Receiver Input
3	V1 ⁻	External Capacitor 1(-)	9, 12	Do2, Do1	Receiver Output
4	C2 ⁺	External Capacitor 2(+)	10, 11	Di2, Di1	Driver Input
5	C2 ⁻	External Capacitor 2(-)	15	GND	Ground
6	V ⁻	DC/DC Converter Negative Voltage Output	16	V _{CC}	Voltage Supply (+5V)

■ FUNCTIONAL DESCRIPTION
(1) DC-DC Converter Section

The NJU6413A built in a DC-DC converter (required 5 external capacitors). Therefore, the NJU6413A outputs RS-232C voltage though the single 5V supply.

(2) Driver Section

The drivers output the RS-232C standard signals which are converted from the TTL level signal to RS-232C standard level by the level shifter and limit the slew rate below $30V/\mu s$ ($6V/\mu s$ typ), to the RS-232C lines.

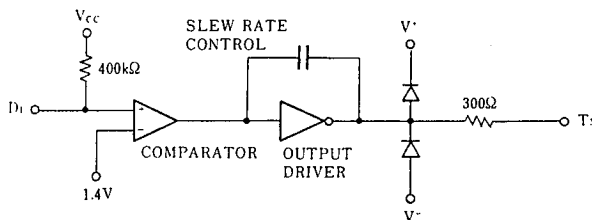
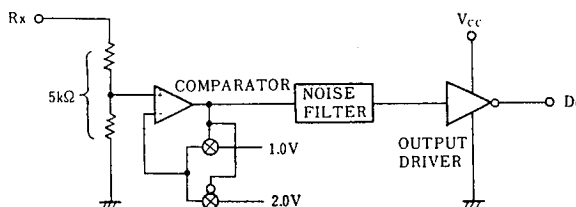
The each driver incorporate series resistance to keep the output impedance to 300Ω or more during the power-off. This series resistance also protect the internal circuits against the overvoltage of $\pm 25V$ impressed from outside.

(3) Receiver Section

The inputs of each receiver incorporate the resistor (TYP: $5k\Omega$) as the drivers load. This resistor also protect the internal circuits against the overvoltage of $\pm 27V$. The receiver accept the both of $\pm 3V$ of RS-232C standard minimum requirement level and TTL level as the threshold voltage of input comparaters are adjusted for both input levels.

The noise less than $1V_{P-P}$ and spike noise below $3\mu s$ pulse width are eliminated by the hysteresis circuits and noise filter.

The output signals are TTL compatible and capable of 8-LSTTL driving.

■ DRIVER SECTION

■ RECEIVER SECTION


■ ABSOLUTE MAXIMUM RATINGS

(Ta=25°C)

PARAMETER		SYMBOL	RATINGS	UNIT
Supply Voltage		V _{CC}	-0.3 ~ +6	V
Receiver	Input Voltage	V _{RI}	±27	V
	Output Voltage	V _{DO}	-0.3 ~ V _{CC} +0.3	
Driver	Input Voltage	V _{DI}	-0.3 ~ V _{CC} +0.3	V
	Output Voltage	V _{TX}	±25	
Power Dissipation		P _D	500 (DIP) 300 (DMP)	mW
Operating Temperature		Topr	-20 ~ +75	°C
Storage Temperature		Tstg	-65 ~ +150	°C

Note1) External power supply to V+, V- is prohibited.

■ ELECTRICAL CHARACTERISTICS

(Ta=25°C)

PARAMETER	SYMBOL	CONDITIONS	MIN	TYP	MAX	UNIT
Operating Voltage	V _{CC}		4.5		5.5	V
Quiescent Current	I _{CC}	V _{CC} =5.5V, No load		5	10	mA
DC-DC Converter Positive Output Voltage	V ⁺	V _{CC} =4.5V, I _{LV} ⁺ =6mA	6.0			V
DC-DC Converter Negative Output Voltage	V ⁻	V _{CC} =4.5V, I _{LV} ⁻ =-6mA	-6.0			

■ DRIVER ELECTRICAL CHARACTERISTICS

 (Ta=25°C, 4.5 ≤ V_{CC} ≤ 5.5V, I_{LV}⁺=I_{LV}⁻=0mA, GND=0V)

PARAMETER	SYMBOL	CONDITIONS	MIN	TYP	MAX	UNIT
Input Voltage	H Level	V _{IH}	2.0			V
	L Level	V _{IL}			0.8	
Maximum Input Current	I _{IL}	V _{IN} =GND		15	200	μA
Output Voltage	H Level	V _{OH}	6.0			V
	L Level	V _{OL}			-5.7	
Output Short Current (Note 2)	H Level	I _{OS} ⁺			45	mA
	L Level	I _{OS} ⁻			45	
Output Impedance	R _{OUT}	V _{CC} =V ⁺ =V ⁻ =0V, -2V ≤ V _{OUT} ≤ +2V	300			Ω

Note 2) The output short current is specified by 1 output terminal. If plural outputs short at once, the NJU6413A may destroy due to the power over the package power dissipation.

DRIVER AC CHARACTERISTICS

 (Ta=25°C, 4.5 ≤ V_{CC} ≤ 5.5V, I_{LV}⁺=I_{LV}⁻=0mA, GND=0V, R_L=3kΩ, C_L=50pF) (Note 3, 4)

PARAMETER	SYMBOL	CONDITIONS	MIN	TYP	MAX	UNIT
Propagation Delay Time	t _{pdI}				5.0	μs
	t _{pdO}				5.0	
Output Rise/Fall Time (Note 5)	t _r		0.2			μs
	t _f		0.2			
Delay Time Skew	t _{sk}			400		ns
Slew Rate (Note 5)	S _R	R _L =3 to 7kΩ, 15pF ≤ C _L ≤ 2.5nF		6	30	v/μs

 Note 3) AC input waveform: t_r, t_f ≤ 20ns, V_{IH}=2.0V, V_{IL}=0.8V

Note 4) Input Rise/Fall time are less than 5μs.

Note 5) Output slew rate, output rise time and fall time are specified output waveform changing time either from +3V to -3V or -3V to +3V.

RECEIVER ELECTRICAL CHARACTERISTICS

 (Ta=25°C, 4.5 ≤ V_{CC} ≤ 5.5V, I_{LV}⁺=I_{LV}⁻=0mA, GND=0V)

PARAMETER	SYMBOL	CONDITIONS	MIN	TYP	MAX	UNIT
Input Voltage	H Level	V _P	1.3	2.0	2.5	V
	L Level	V _N	0.5	1.0	1.7	
Hysteresis Voltage	V _H			1.0		V
Input Impedance	R _{IN}	V _{IN} =±3V~±12V	3	5	7	kΩ
Output Voltage	H Level	V _{OH}	V _{IN} =V _N (Min.), I _{OUT} =-3.2mA	2.8		V
	L Level	V _{OL}	V _{IN} =V _P (Max.), I _{OUT} =+3.2mA		0.4	

RECEIVER AC CHARACTERISTICS

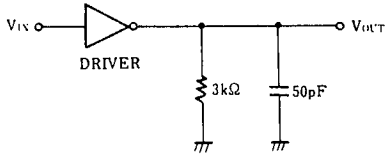
 (Ta=25°C, 4.5 ≤ V_{CC} ≤ 5.5V, I_{LV}⁺=I_{LV}⁻=0mA, GND=0V, C_L=50pF) (Note 6)

PARAMETER	SYMBOL	CONDITIONS	MIN	TYP	MAX	UNIT
Propagation Delay Time	t _{PLH}	Input Pulse Width ≥ 10μs			6.5	μs
	t _{PHL}				6.5	
Delay Time Skew	t _{SK}			400		ns
Output Rise Time	t _r				300	ns
Output Fall Time	t _f				300	ns

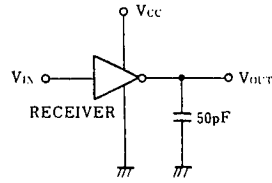
 Note 6) AC input waveform tr=tf=200ns, V_{IH}=+3V, V_{IL}=-3V, f=20kHz.

MEASUREMENT CIRCUITS

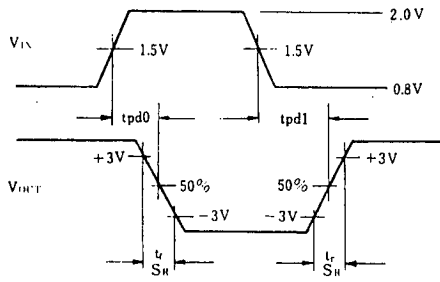
(1) Driver AC Characteristics



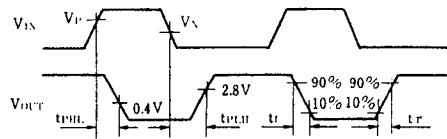
(2) Receiver AC Characteristics


MEASUREMENT WAVEFORMS

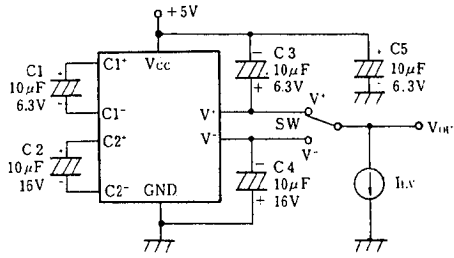
(1) Driver AC Characteristics



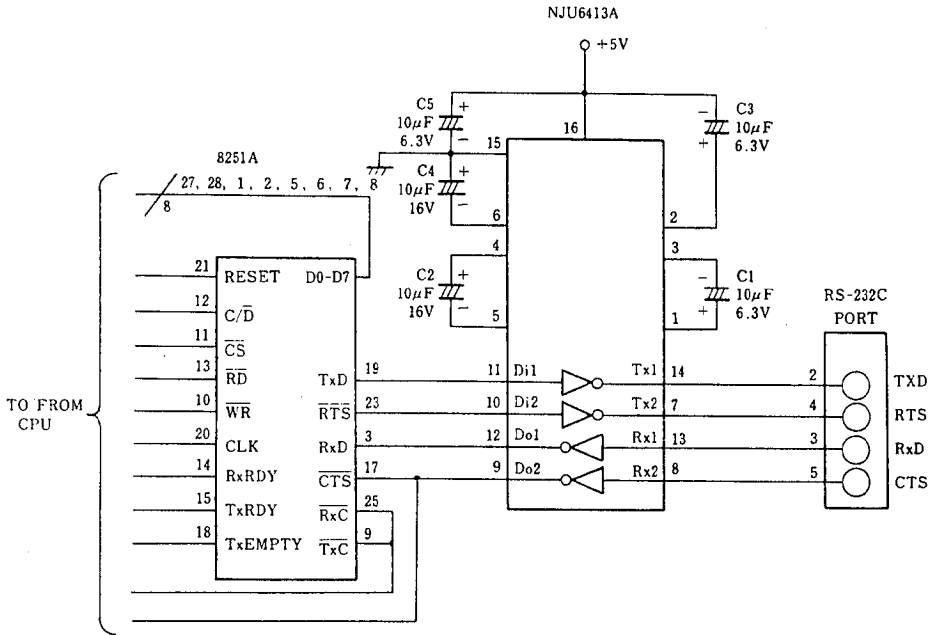
(2) Receiver AC Characteristics



■ DC/DC CONVERTER OUTPUT VOLTAGE MEASUREMENT CIRCUITS



■ APPLICATION CIRCUIT



RS-232C port

* For keeping the high power conversion rate, short wiring for C₁ to C₄ required.

MEMO

[CAUTION]

The specifications on this databook are only given for information, without any guarantee as regards either mistakes or omissions. The application circuits in this databook are described only to show representative usages of the product and not intended for the guarantee or permission of any right including the industrial rights.