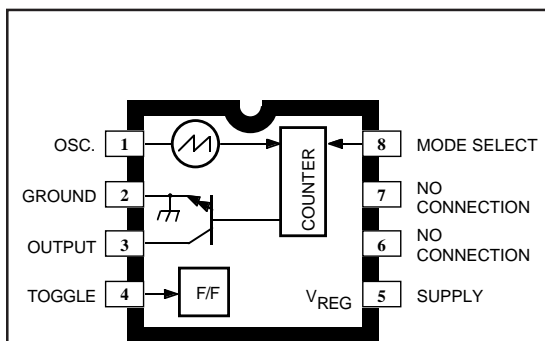


COUNTDOWN POWER TIMER

The ULQ2436M is a rugged, long-duration countdown timer specifically designed to operate in an automotive or industrial environment. It uses an internal RC oscillator to drive a digital countdown circuit for timing periods of typically 2-1/2 to 5 minutes. The ULQ2436M multiplies the oscillator period by 4064. Internal logic can automatically cause the timeout to be halved for successive timeouts. I²L technology is used for the countdown and logic circuitry and conventional linear bipolar devices for the oscillator and output power functions. This combination, together with the low-cost 8-pin mini-DIP plastic package, results in a very economical power timer suitable for a wide variety of applications.

The Darlington-connected output driver is capable of switching loads up to 400 mA.



Dwg. No. PS-016

FEATURES

- 28 V/400 mA Output Switch
- Low-Cost Ceramic Timing Capacitor
- Dual-Mode Timing Operation
- -40°C to +85°C Operation
- 10 V to 16 V Operation
- Internal Stabilizing Regulator
- Low-Cost 8-Pin Mini-DIP

APPLICATIONS

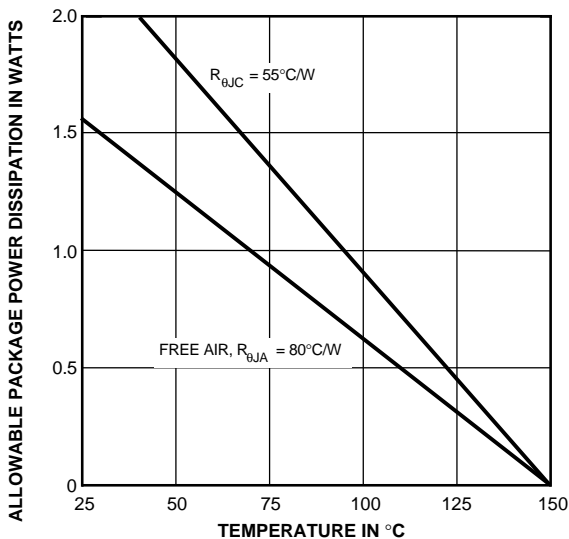
- Automotive Rear-Window Defogger Timer
- Automotive Courtesy Light Timer
- Appliance Power Timer
- Power Control System

ABSOLUTE MAXIMUM RATINGS at T_A = +25°C

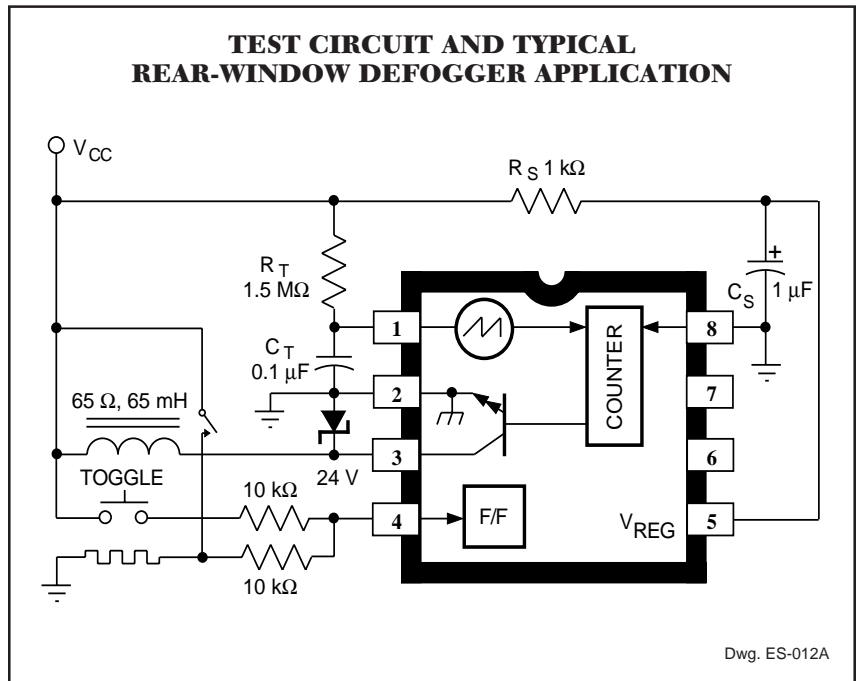
Supply Current, I _{REG}	15 mA
Output Voltage, V _{OUT}	28 V
Output Current, I _{OUT}	400 mA
Input Voltage, V ₁ or V ₄ (2 min.)	24 V
(continuous)	16 V
Package Power Dissipation, P _D	See Graph
Operating Temperature Range, T _A	-40°C to +85°C
Storage Temperature Range, T _S	-65°C to +150°C

Always order by complete part number: **ULQ2436M** .

2436 COUNTDOWN POWER TIMER



Dwg. GP-009-1B



Dwg. ES-012A

ELECTRICAL SPECIFICATIONS at $T_A = -40^\circ\text{C}$ to $+85^\circ\text{C}$, $V_{CC} = 12\text{ V}$ (unless otherwise specified).

Characteristic	Test Conditions	Limits		
		Min.	Max.	Units
Regulator Voltage	$I_{REG} = 12\text{ mA}$, Output Off	7.0	9.0	V
Output Saturation Voltage	$I_{OUT} = 400\text{ mA}$, $T_A = +25^\circ\text{C}$	—	2.5	V
	$I_{OUT} = 250\text{ mA}$, $T_A = +25^\circ\text{C}$	—	1.35	V
Output Leakage Current	$V_{OUT} = 28\text{ V}$, $V_{CC} = 12\text{ V}$	—	100	μA
	$V_{OUT} = 22\text{ V}$, $V_{CC} = \text{Open Circuit}$	—	100	μA
Input Threshold Voltage	10 kΩ Series Resistor	1.0	5.0	V
Oscillator Tolerance	$T_A = +25^\circ\text{C}$	—	±3.0	%
	$T_A = -40^\circ\text{C}$ to $+85^\circ\text{C}$	—	±6.0	%
Divider Count ($V_{CC} = 10\text{ V}$ to 16 V)	Initial Timeout	4064	4064	—
	Subsequent Timeouts	2032	2032	—

2436 COUNTDOWN POWER TIMER

CIRCUIT DESCRIPTION

OSC. An external resistor in the range of 200 k Ω to 2 M Ω and an external capacitor in the range of 0.001 μ F to 1 μ F determine the frequency of the internal oscillator. The period of oscillation is nominally $R_T C_T$ with the overall output time period (after the digital countdown) of

$$t = 4064 R_T C_T$$

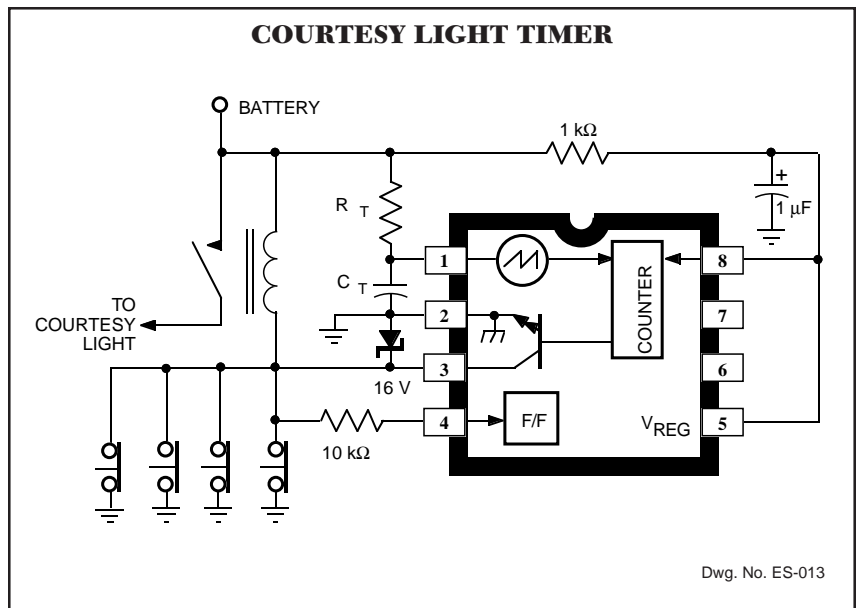
where t is in seconds. See also MODE SELECT.

OUTPUT. The output is an open-collector of a Darlington-connected transistor. The output is ON (low) during the timing period. An external Zener diode is used to protect the output against inductive-load switching transients and automotive "load dump".

TOGGLE. A push-button, momentary-action switch at this input toggles the timer from the OFF to the ON state. The oscillator and countdown circuitry are started on the rising edge of the input pulse. Internal de-bounce circuitry is included.

SUPPLY. The timer requires a supply current applied to this pin through a current-limiting resistor (R_S). An internal 8 volt Zener diode shunt regulator provides a stable supply to the device over wide supply voltage variations. Capacitor C_S is used to provide decoupling.

MODE SELECT. With MODE SELECT connected to GROUND, the first activation will run for the preset time delay. All activations after the first will time out at half of the initial preset time. This sequence is reset each time the supply is interrupted. With MODE SELECT connected to SUPPLY (V_{REG}), the timer will repeat the preset time delay each time it is activated.



Allegro MicroSystems, Inc. reserves the right to make, from time to time, such departures from the detail specifications as may be required to permit improvements in the design of its products. Components made under military approvals will be in accordance with the approval requirements.

The information included herein is believed to be accurate and reliable. However, Allegro MicroSystems, Inc. assumes no responsibility for its use; nor for any infringements of patents or other rights of third parties which may result from its use.