

Advance Product Information

VSC8162

2.488 Gbit/sec SONET/SDH
1:16 Demux with Clock Recovery

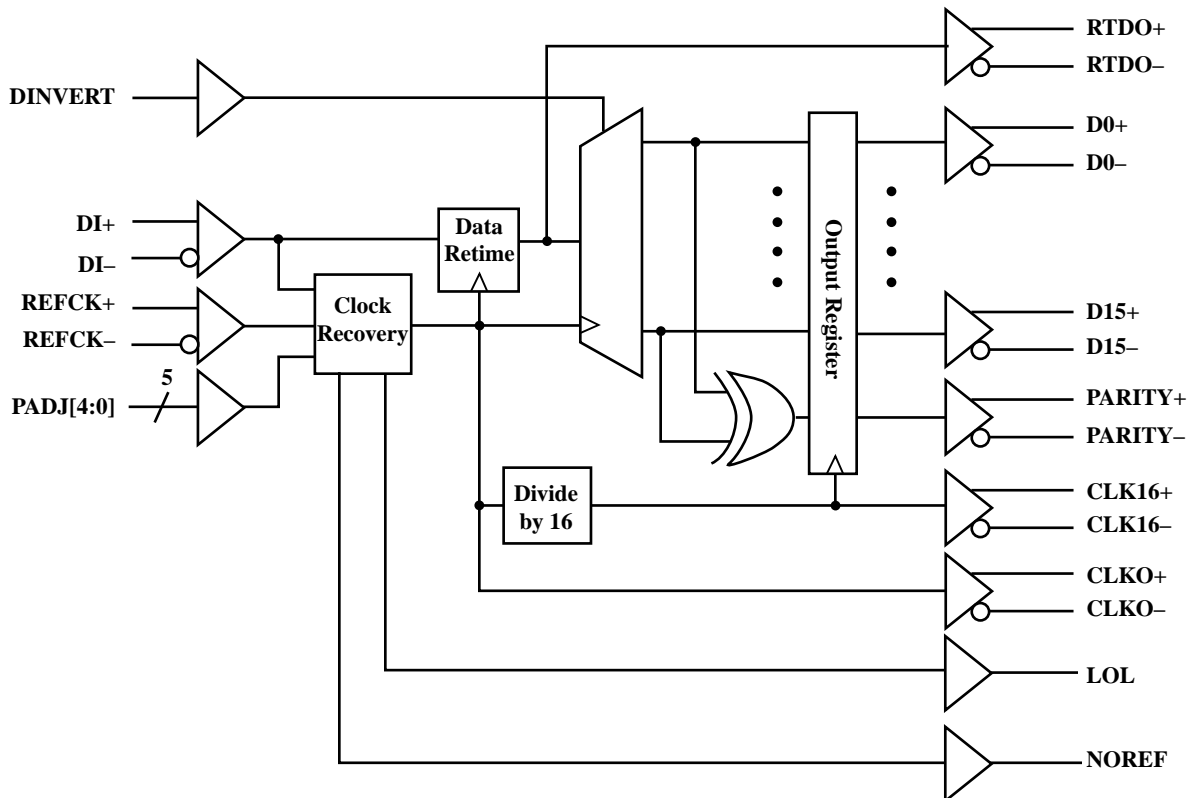
Features

- 2.488Gb/s 1:16 Demux with Integrated Clock and Data Recovery
- Recovered Clock and Data Available
- Monolithic Phase Locked Loop
- Digitally Adjustable Serial Data Sampling Point
- Differential Low Speed Outputs
- Differential/Single-ended Reference Clock
- Loss of Lock Detection
- Meets SONET OC-48 and SDH STM-16 Jitter Tolerance Requirements

General Description

The VSC8162 combines a clock recovery unit (CRU) with a 1:16 demultiplexer on a single chip to directly generate 16-bit wide data from an incoming 2.488Gb/s NRZ data stream. An on-chip Phase Locked Loop (PLL) generates a 2.488GHz clock which remains phase locked to the incoming data. The incoming data is retimed and demultiplexed to a 16-bit word. A Loss of Lock (LOL) signal indicates gross conditions where incoming data no longer has sufficient transitions to keep the CRU in lock.

VSC8162 Functional Block Diagram



Functional Description

Clock Recovery:

The clock recovery unit (CRU) consists of a phase detector, voltage controlled oscillator (VCO), loop filter and frequency control unit (FCU). The components of the CRU are fully integrated on the VSC8162. A 19.44MHz reference clock (REFCLK) is required for proper operation of the Clock Recovery Unit (CRU). Jitter tolerance of the CRU is well above the SONET and SDH jitter tolerance masks. In addition, the recovered high speed clock is output on the CLKO pins.

Incoming data is presented to both the clock recovery circuit and the data retiming circuit. When the CRU is in lock mode, a phase detector circuit is effective. When there is a phase error between the incoming data and the on-chip VCO, the phase detector output raises or lowers the voltage on the loop filter to null the phase difference.

The frequency control unit (FCU) monitors the frequency difference between the reference clock, REFCK, and the recovered clock. At the time that the VCO frequency, f_{VCO} , and the $128 \times$ REFCK frequency, $128 \times f_{REF}$, differ by less than 1 MHz, the FCU only passively monitors the frequency difference continuously without sending any corrections to the loop filter. In the event of the loss of an input signal, or if the input is switching randomly, the VCO will drift in one direction. At the time that f_{VCO} and $128 \times f_{REF}$ differ by more than 1 MHz, the FCU will maintain the VCO frequency to be at approximately 1MHz off the frequency of $128 \times f_{REF}$, and the lock detector will assert the LOL output. LOL is designed to be asserted from between 2.3us and 100us after the interruption of data.

When NRZ data is again presented at the data input, the phase detector will permit the VCO to lock to the incoming data. Hysteresis is provided which delays the deassertion of LOL until approximately 160us following the restoration of valid data.

The NOREF output will go high to indicate that there is no signal on the REFCK input, or that the REFCK is more than approximately 25% above or below the expected value.

Retiming:

The retiming decision circuit functions as a D Flip Flop. The recovered clock nominally clocks the decision circuit in the center of the data eye. Internally, the recovered clock is duplicated to create 32 copies, with a phase difference between each of $1/32$ of a unit interval. The PADJ[4:0] inputs select which of the 32 phases are to be used to retime the data. Certain lightwave systems employing optical amplifiers suffer from noise in the leading edge of the data eye. Therefore these systems may achieve their lowest Bit Error Rate (BER) by delaying the retiming point until later in the eye. The PADJ inputs can be strapped to generate a fixed delay or the customer can develop a dynamic circuit which can select the optimum retiming point during a training sequence. The retimed high speed data can be monitored using the RTDO pins.

Figure 1 and Table 1 indicate how the PADJ pins adjust the sampling point in the data eye. The step size of each unit interval is approximately 12.5ps. The values in Table 1 are not exact and should be used only as an approximation of the expected delay. Due to environmental variations, the actual measured value at any point could vary by as much as ± 1 step size. It should be noted that PADJ[4:0] = '00000' always corresponds to the sampling center point and that the delay between unit intervals increases monotonically.

Advance Product Information

VSC8162

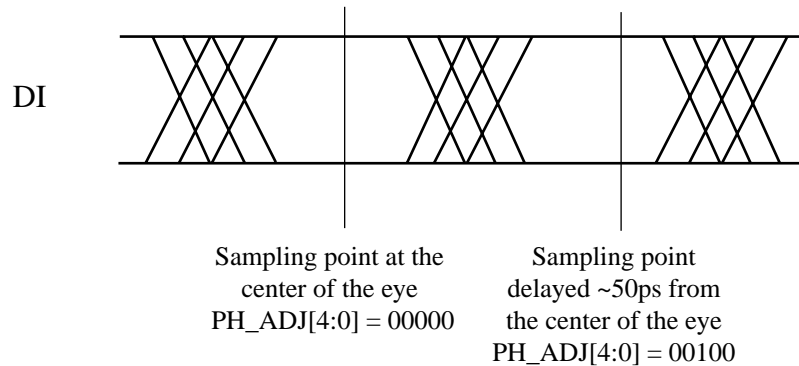
2.488 Gbit/sec SONET/SDH
1:16 Demux with Clock Recovery

PADJ are ECL compatible inputs (see Table 6). If the pins are left floating, the inputs will default to the logic low state. In order to set to a logic high level, the inputs can be tied directly to V_{CC} without the need for a resistor.

Table 1: Retiming Phase Adjust Settings

<i>PADJ4</i>	<i>PADJ3</i>	<i>PADJ2</i>	<i>PADJ1</i>	<i>PADJ0</i>	<i>Degrees From Center</i>	<i>PS From Center</i>
0	0	0	0	0	0.00	0.0
0	0	0	0	1	11.25	12.6
0	0	0	1	0	22.50	25.1
0	0	0	1	1	33.75	37.7
0	0	1	0	0	45.00	50.2
0	0	1	0	1	56.25	62.8
0	0	1	1	0	67.50	75.4
0	0	1	1	1	78.75	87.9
0	1	0	0	0	90.00	100.5
0	1	0	0	1	101.25	113.0
0	1	0	1	0	112.50	125.6
0	1	0	1	1	123.75	138.2
0	1	1	0	0	135.00	150.7
0	1	1	0	1	146.25	163.3
0	1	1	1	0	157.50	175.8
0	1	1	1	1	168.75	188.4
1	0	0	0	0	180.00	201.0
1	0	0	0	1	-168.75	-188.4
1	0	0	1	0	-157.50	-175.8
1	0	0	1	1	-146.25	-163.3
1	0	1	0	0	-135.00	-150.7
1	0	1	0	1	-123.75	-138.2
1	0	1	1	0	-112.50	-125.6
1	0	1	1	1	-101.25	-113.0
1	1	0	0	0	-90.00	-100.5
1	1	0	0	1	-78.75	-87.9
1	1	0	1	0	-67.50	-75.4
1	1	0	1	1	-56.25	-62.8
1	1	1	0	0	-45.00	-50.2
1	1	1	0	1	-33.75	-37.7
1	1	1	1	0	-22.50	-25.1
1	1	1	1	1	-11.25	-12.6

Figure 1: Retiming Offset



1:16 Demultiplexer

The demultiplexer inside of the VSC8162 consists of a 1:16 demultiplexer and timing circuitry which generates a divide-by-16 clock from the high speed clock input. The demultiplexer accepts a serial data stream input (DI+/DI-) at 2.488 Gb/s and deserializes it into 16 parallel differential outputs (D0..D15). The timing parameters of the parallel data outputs (D0..D15) are specified with respect to the falling edge of CLK16, so that CLK16 can be used to clock the destination of D0..D15.

The parity output of the demultiplexer is the XOR of all 16 parallel outputs. The DINVERT input is an ECL input (see Table 6) which can be used to invert the sense of the data through the demultiplexer. If DINVERT is left floating, it defaults to the low state, which is the state that corresponds to normal operation (no data inversion).

FILTI, FILTO Pins

The FILTI and FILTO pins are used to provide additional capacitance to the loop filter of the VCO. To optimize the VCO's performance, it is recommended that 0.1µF, size 0805 capacitors are connected between the FILTI+ and FILTI- pins, as well as the FILTO+ and FILTO- pins.

Supplies

The VSC8161 is designed to operate with $V_{EE} = -5.2V$, $V_{TT} = -2.0V$ and $V_{CC} = GND (0.0V)$. However, the part can be operated in an all positive supply environment, or a mixed positive and negative supply environment.

To operate in an all positive supply environment, each of the supply voltages must be shifted up by 5.2V such that V_{EE} will now be GND, $V_{TT} = +3.2V$ and $V_{CC} = +5.2V$. To operate in a mixed positive and negative supply environment, each of the supply voltages must be shifted up by 2.0V such that V_{TT} will now be GND, $V_{EE} = -3.2V$ and $V_{CC} = +2.0V$.

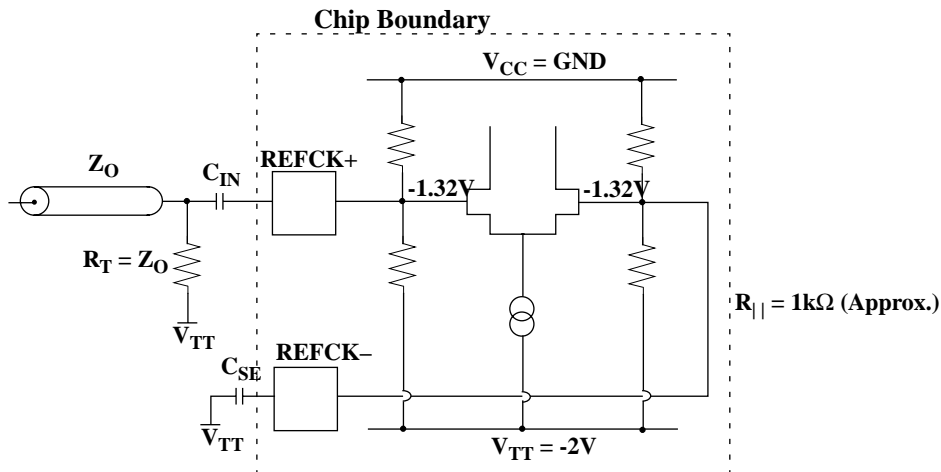
Bear in mind that termination voltages must be adjusted to reflect any shift in supply voltages.

Interface Recommendations

REFCK+, REFCK- Inputs

Internal biasing will position the reference voltage of approximately -1.32V on both the true and complement inputs. This input can either be DC coupled or AC coupled; it can also be driven single-ended or differentially. Figure 2 shows the configuration for single-ended, AC-coupling operation. In the case of direct coupling and single-ended input, it is recommended that a stable V_{REF} for ECL levels be used for the complementary input.

Figure 2: Single-ended AC Coupling for REFCK+, REFCK- Inputs



C_{IN} TYP = 0.1 μ F

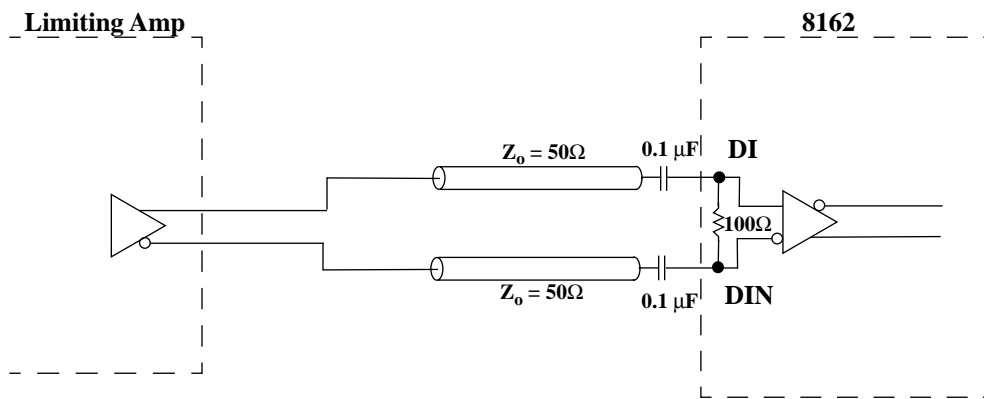
C_{SE} TYP = 0.1 μ F for single ended applications.

(Capacitor values are selected for REFCLK = 19.44 MHz)

High Speed Data Input:

The data input receiver is internally terminated with a 100 ohm resistor between the true and complement inputs. The inputs are internally biased to allow AC coupling. These inputs are recommended to be AC coupled to permit use with a variety of limiting amplifiers. See Figure 3.

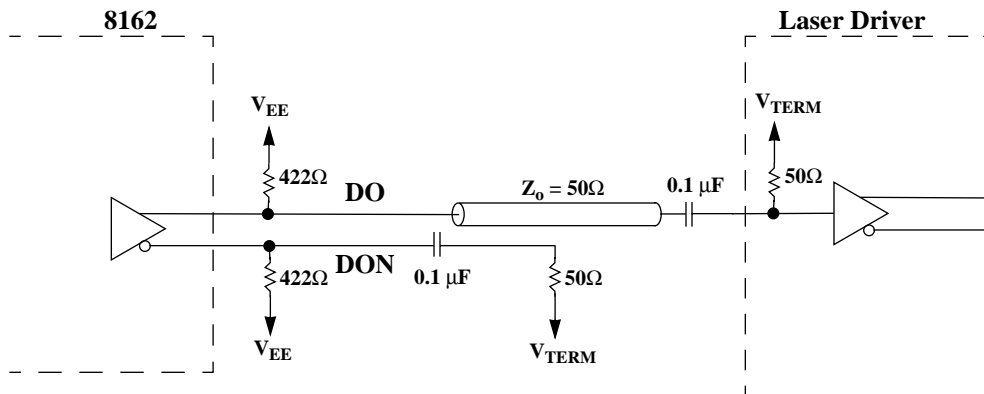
Figure 3: High-Speed Data Input Termination



High Speed Data Output:

A high speed data output termination scheme is shown in Figure 4. In order to disable the high speed data switching, the 422Ω pulldown resistors can be removed.

Figure 4: High-Speed Data Output Termination



Advance Product Information

VSC8162

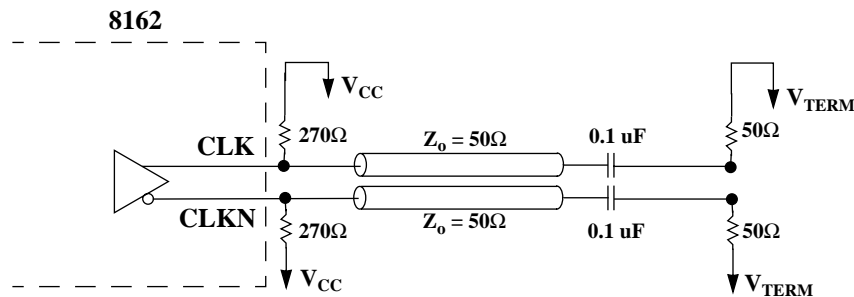
2.488 Gbit/sec SONET/SDH
1:16 Demux with Clock Recovery

High Speed Clock Output

The high speed clock output is provided for test and measurement purposes. A termination method for the high speed clock output is shown in Figure 5. In addition to the AC coupling method shown, the device may also be DC coupled with a 50Ω resistor connected to V_{CC} . By using these termination methods, a nominal voltage swing of 200mV - 300mV, single-ended peak-to-peak, can be expected.

In order to reduce noise on the board, the clock output can be disabled by using the CKOE pin. CKOE is a normal ECL input, which, when left floating, will default to a low level (output disabled). In order to set the CKOE pin to a logic high, it can be tied directly to V_{CC} without the need for a resistor.

Figure 5: High-Speed Clock Output Termination



D[0-15]+/-, PARITY+/-, CLK16+/- Outputs:

The D[0:15]+/-, PARITY+/-, and CLK16+/- output drivers are special-purpose output drivers designed for low power dissipation. Four possible termination schemes are shown in Figures 6, 7, 8, and 9.

Figures 6 and 7 are the preferred termination methods. Figure 6 indicates a DC-differential termination method, and Figure 7 is true differential termination. For interfacing the VSC8162 device directly to a VSC8161, Figure 6 is preferred since the DC differential method does not force a DC common mode level at the receiver. The VSC8161 input receivers have internal DC bias resistor that allow them to set their own DC bias level.

Figure 6: Low-Speed Output Termination #1

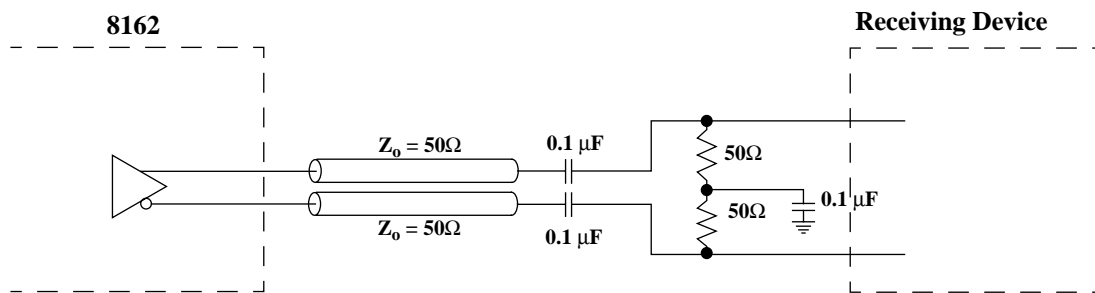
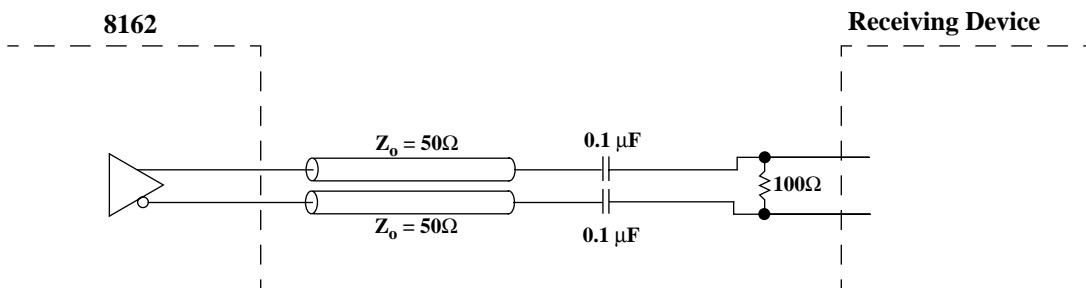


Figure 7: Low-Speed Output Termination #2



Advance Product Information

VSC8162

2.488 Gbit/sec SONET/SDH
1:16 Demux with Clock Recovery

Figure 8 is a DC coupled termination method and provides the best low frequency response. For applications with low data transition density, a DC coupling termination such as that shown in Figure 6 may be required.

Figure 8: Low-Speed Output Termination #3

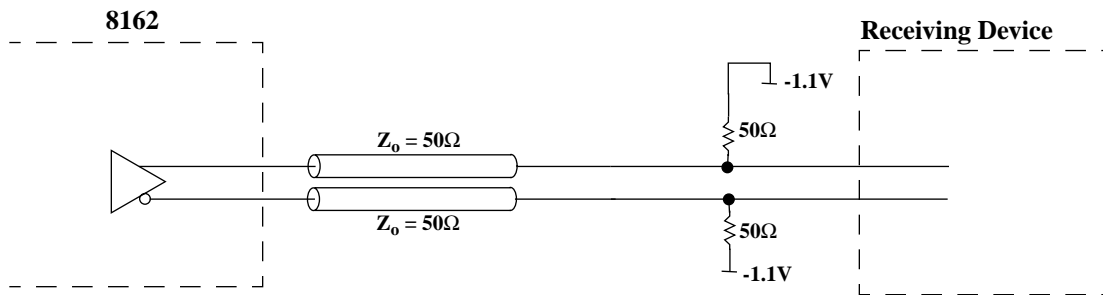
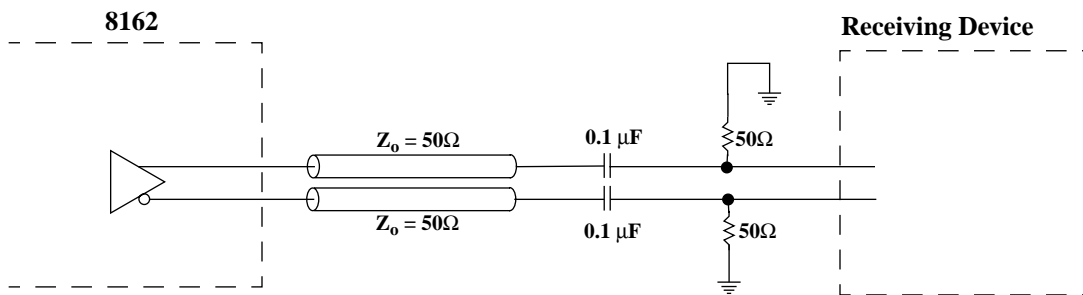


Figure 9 is provided to show that after the AC coupling capacitors, the 50Ω termination resistors can be terminated to any DC voltage, shown in Figure 9 by the ground symbol. Please note that Figure 9 will not work when interfacing the VSC8162 directly to the VSC8161.

Figure 9: Low-Speed Output Termination #4



AC Characteristics (Over recommended operating conditions)

Table 2: High Speed Clock and Data Outputs Timing Characteristics

Parameters	Description	Min	Typ	Max	Units	Conditions
t_{pd}	Center of output data eye from falling edge of CLKO+	-75	—	+75	ps	—
t_{DH}	CLKO period	—	401.9	—	ps	—
t_r, t_f	RTDO± rise and fall times	—	—	150	ps.	20% to 80% into 50Ω load.
t_r, t_f	CLKO± rise and fall times	—	—	135	ps	20% to 80% into 50Ω load.

Figure 10: VSC8162 High Speed Output Interface

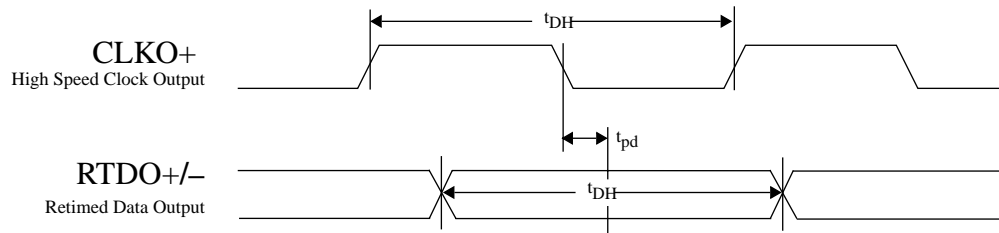
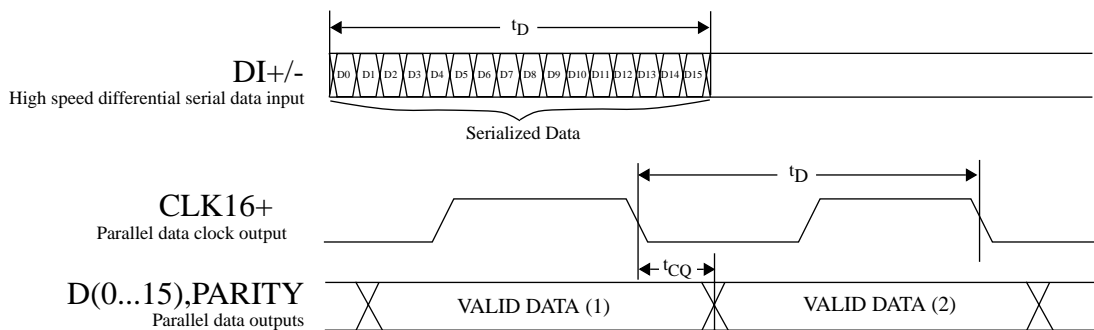


Table 3: D[0-15]+/-, PARITY+/-, CLK16+/- Output Specifications

Parameters	Description	MIN	Typ	MAX	Unit	Conditions
V_{DIFF}	Output level	600	—	1100	mV	—
t_r, t_f	Output Rise/Fall Times	—	—	1200	ps	20% to 80% into 50Ω load
t_{CQ}	Clock-to-Data	-0.2	—	1.8	ns	—
t_{DC}	CLK16 duty cycle	45	—	55	%	—
t_D	CLK16 period	—	6.4	—	ns	—

Figure 11: VSC8162 Parallel Interface



Advance Product Information VSC8162

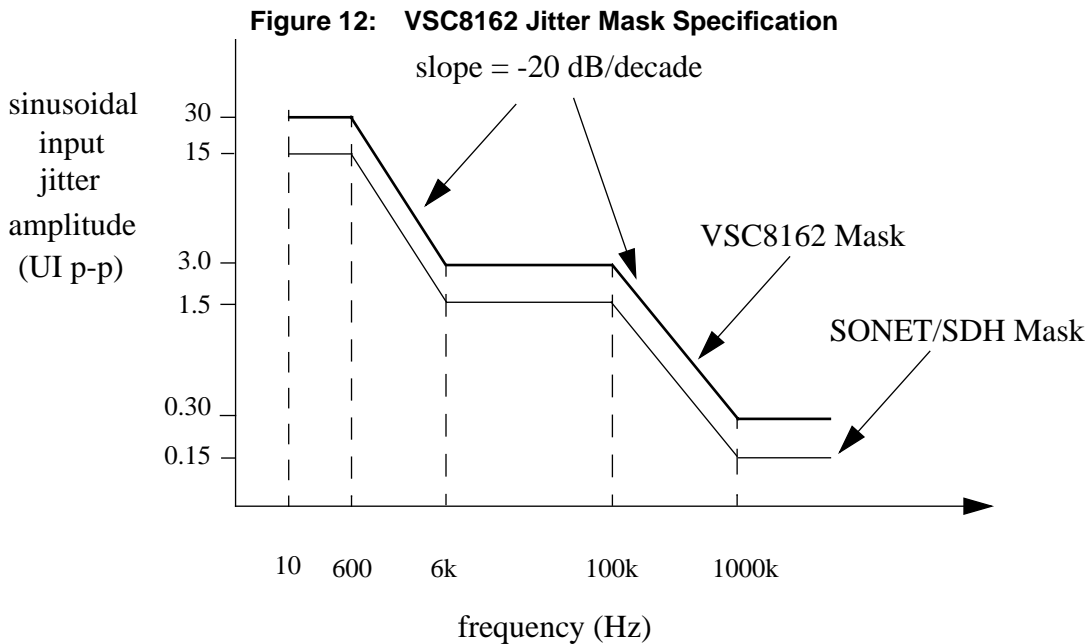
2.488 Gbit/sec SONET/SDH
1:16 Demux with Clock Recovery

Table 4: PLL Parameters

Parameters	Description	Min	Typ	Max	Units	Conditions
RC_d	REFCK Duty Cycle	45	—	55	%	—
RC_f	REFCK Frequency	—	19.44	—	MHz	—
Δf_{RC}	REFCK Frequency Tolerance	-100	—	+100	ppm	—
t_{ACQ}	Acquisition time	—	—	20	μs	With valid reference clock
t_{set}	Loss of Lock set time	2.3	—	100	μs	From data interruption
t_{clr}	Loss of Lock clear time	125	—	250	μs	From data restoration
$t_{density}$	Maximum zero-timing-content period	—	1200	—	UI	For 0 BER
t_{jitter}	Jitter generation ^a	—	3.6	4.0	ps rms	—
$t_{tolerance}$	Jitter tolerance ^b	Exceeds mask in Figure 9			—	—

a. Measured at the HS clock output for jitter in the 12 kHz to 20 MHz band. Assume 1.2 ps rms input data jitter

b. Error-free operation guaranteed when electrical input signal is subject to jitter specified by mask in Figure 9.



DC Characteristics (Over Recommended Operating Conditions)

Table 5: High Speed Data and Clock Inputs and Outputs

Parameters	Description	Min	Typ	Max	Units	Conditions
V _{DIFF}	Serial input absolute voltage differential peak-to-peak swing (DI±)	200	—	1200	mV	—
V _{CM}	Input common mode range	-1.6	—	-1	V	—
R _{IN}	Input Resistance between DI+ and DI-	80	100	120	Ohm	—
ΔV _{OD}	Data Output voltage swing	600	—	1200	mV	—
V _{ODCM}	Data Output common mode	-1.6	—	-1	V	—
ΔV _{OC}	Clock Output voltage swing	100	—	300	mV	—
V _{OCCM}	Clock Output common mode	-0.2	—	0	V	—

Table 6: Low Speed ECL Inputs and Outputs

Parameters	Description	Min	Typ	Max	Units	Conditions
V _{OH}	Output HIGH voltage	-1100	—	-700	mV	50 ohms to V _{TT}
V _{OL}	Output LOW voltage	V _{TT}	—	-1620	mV	50 ohms to V _{TT}
V _{IH}	Input HIGH voltage	-1040	—	-600	mV	—
V _{IL}	Input LOW voltage	V _{TT}	—	-1600	mV	—
I _{IH}	Input HIGH current	—	—	200	μA	—
I _{IL}	Input LOW current	-50	—	—	μA	—

Table 7: Power Supply

Parameters	Description	Min	Typ	Max	Units	Conditions
V _{EE}	Supply voltage	-5.46	—	-4.94	V	—
V _{TT}	Supply voltage	-2.1	—	-1.9	V	—
P _D	Power dissipation	—	—	4.2	W	Outputs open
I _{EE}	Supply Current	—	—	620	mA	Outputs open
I _{TT}	Supply Current	—	—	380	mA	Outputs open

Advance Product Information
VSC8162

2.488 Gbit/sec SONET/SDH
 1:16 Demux with Clock Recovery

Absolute Maximum Ratings¹

Power Supply Voltage, (V _{EE})	-7V to V _{CC} +0.5V
Power Supply Voltage, (V _{TT})	-3V to 0.5V
DC Input Voltage (Differential inputs)	-2.5V to +0.5V
Output Current (Differential Outputs)	+/-50mA
Case Temperature Under Bias	-55° to +125°C
Storage Temperature	-65°C to +150°C

Recommended Operating Conditions

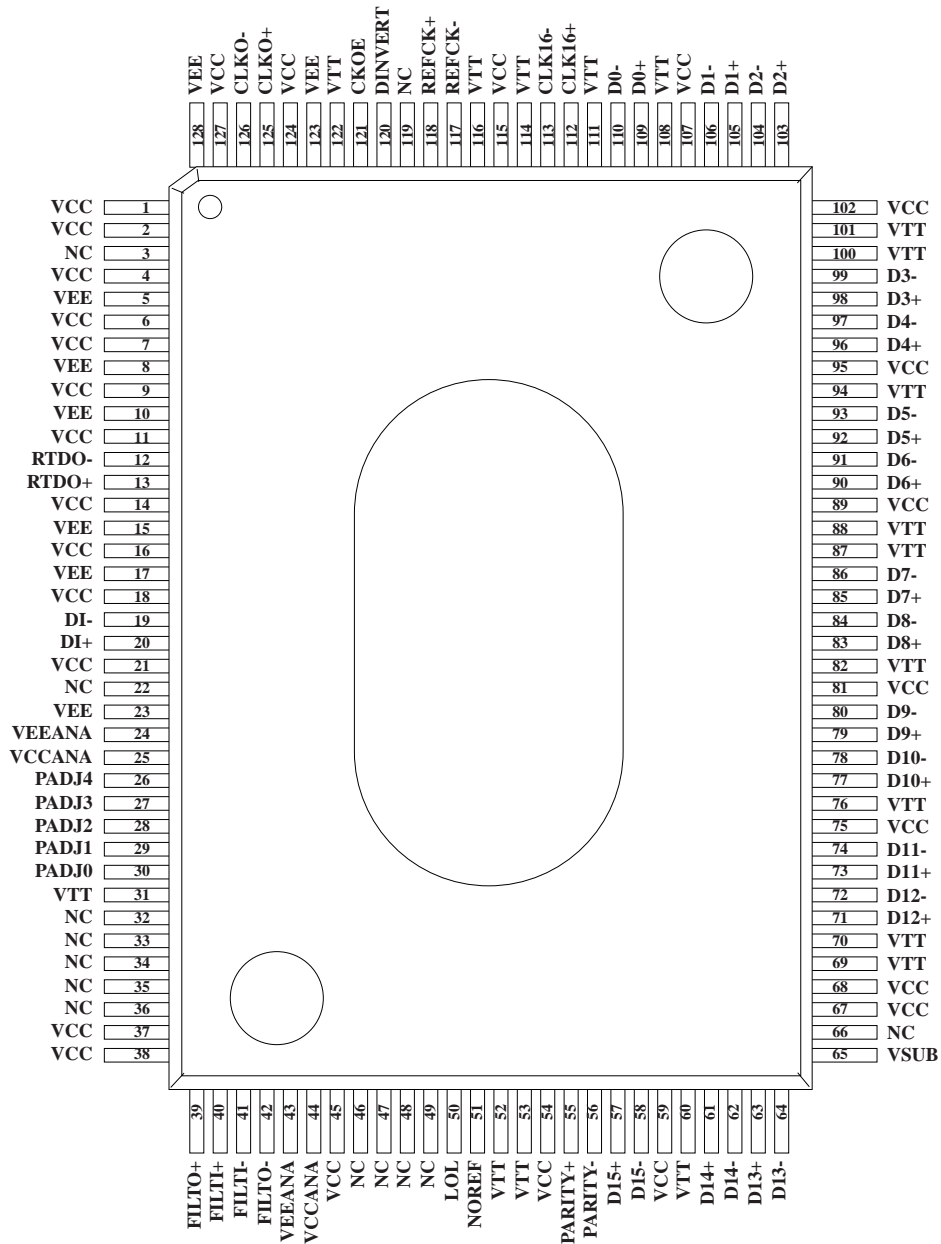
Power Supply Voltage, (V _{EE})	-5.2V±5%
Power Supply Voltage, (V _{TT})	-2.0V±5%
Operating Temperature Range	0°C Ambient to +85°C Case Temperature

Notes:

- (1) *CAUTION: Stresses listed under “Absolute Maximum Ratings” may be applied to devices one at a time without causing permanent damage. Functionality at or above the values listed is not implied. Exposure to these values for extended periods may affect device reliability.*

Package Pin Descriptions

Figure 13: Package Pin Diagram



Advance Product Information
VSC8162

2.488 Gbit/sec SONET/SDH
 1:16 Demux with Clock Recovery

Table 8: Package Pin Identification

<i>Signal Name</i>	<i>Pin #</i>	<i>I/O</i>	<i>Description</i>
VCC	1	-	Power supply (GND typ.)
VCC	2	-	Power supply (GND typ.)
NC	3	-	Do not connect, leave open
VCC	4	-	Power supply (GND typ.)
VEE	5	-	Power supply (-5.2V typ.)
VCC	6	-	Power supply (GND typ.)
VCC	7	-	Power supply (GND typ.)
VEE	8	-	Power supply (-5.2V typ.)
VCC	9	-	Power supply (GND typ.)
VEE	10	-	Power supply (-5.2V typ.)
VCC	11	-	Power supply (GND typ.)
RTDO-	12	O	High speed data output (complement)
RTDO+	13	O	High speed data output (true)
VCC	14	-	Power supply (GND typ.)
VEE	15	-	Power supply (-5.2V typ.)
VCC	16	-	Power supply (GND typ.)
VEE	17	-	Power supply (-5.2V typ.)
VCC	18	-	Power supply (GND typ.)
DI-	19	I	High speed data input (complement)
DI+	20	I	High speed data input (true)
VCC	21	-	Power supply (GND typ.)
NC	22	-	Do not connect, leave open
VEE	23	-	Power supply (-5.2V typ.)
VEEANA	24	-	Power supply for analog circuits (-5.2V typ.)
VCCANA	25	-	Power supply for analog circuits (GND typ.)
PADJ4	26	I	Decision circuit phase adjust
PADJ3	27	I	Decision circuit phase adjust
PADJ2	28	I	Decision circuit phase adjust
PADJ1	29	I	Decision circuit phase adjust
PADJ0	30	I	Decision circuit phase adjust
VTT	31	-	Power supply (-2.0V typ.)
NC	32	-	Do not connect, leave open
NC	33	-	Do not connect, leave open
NC	34	-	Do not connect, leave open
NC	35	-	Do not connect, leave open
NC	36	-	Do not connect, leave open

2.488 Gbit/sec SONET/SDH
1:16 Demux with Clock Recovery

Advance Product Information

VSC8162

<i>Signal Name</i>	<i>Pin #</i>	<i>I/O</i>	<i>Description</i>
VCC	37	-	Power supply (GND typ.)
VCC	38	-	Power supply (GND typ.)
FILTO+	39	I/O	Connect to FILTI+ with 0.1 μ F, 0805 capacitor
FILTI+	40	I/O	Connect to FILTO+ with 0.1 μ F, 0805 capacitor
FILTI-	41	I/O	Connect to FILTO- with 0.1 μ F, 0805 capacitor
FILTO-	42	I/O	Connect to FILTI- with 0.1 μ F, 0805 capacitor
VEEANA	43	-	Power supply for analog circuits (-5.2V typ.)
VCCANA	44	-	Power supply for analog circuits (GND typ.)
VCC	45	-	Power supply (GND typ.)
NC	46	-	Do not connect, leave open
NC	47	-	Do not connect, leave open
NC	48	-	Do not connect, leave open
NC	49	-	Do not connect, leave open
LOL	50	O	Loss of lock
NOREF	51	O	Loss of reference
VTT	52	-	Power supply (-2.0V typ.)
VTT	53	-	Power supply (-2.0V typ.)
VCC	54	-	Power supply (GND typ.)
PARITY+	55	O	Parity bit (true)
PARITY-	56	O	Parity bit (complement)
D15+	57	O	Low-speed Differential Parallel Data (true)
D15-	58	O	Low-speed Differential Parallel Data (complement)
VCC	59	-	Power supply (GND typ.)
VTT	60	-	Power supply (-2.0V typ.)
D14+	61	O	Low-speed Differential Parallel Data (true)
D14-	62	O	Low-speed Differential Parallel Data (complement)
D13+	63	O	Low-speed Differential Parallel Data (true)
D13-	64	O	Low-speed Differential Parallel Data (complement)
VSUB	65	-	Substrate Voltage (connect to lowest supply voltage, i.e., VEE)
NC	66	-	Do not connect, leave open
VCC	67	-	Power supply (GND typ.)
VCC	68	-	Power supply (GND typ.)
VTT	69	-	Power supply (-2.0V typ.)
VTT	70	-	Power supply (-2.0V typ.)
D12+	71	O	Low-speed Differential Parallel Data (true)
D12-	72	O	Low-speed Differential Parallel Data (complement)
D11+	73	O	Low-speed Differential Parallel Data (true)
D11-	74	O	Low-speed Differential Parallel Data (complement)
VCC	75	-	Power supply (GND typ.)

Advance Product Information
VSC8162

2.488 Gbit/sec SONET/SDH
 1:16 Demux with Clock Recovery

<i>Signal Name</i>	<i>Pin #</i>	<i>I/O</i>	<i>Description</i>
VTT	76	-	Power supply (-2.0V typ.)
D10+	77	O	Low-speed Differential Parallel Data (true)
D10-	78	O	Low-speed Differential Parallel Data (complement)
D9+	79	O	Low-speed Differential Parallel Data (true)
D9-	80	O	Low-speed Differential Parallel Data (complement)
VCC	81	-	Power supply (GND typ.)
VTT	82	-	Power supply (-2.0V typ.)
D8+	83	O	Low-speed Differential Parallel Data (true)
D8-	84	O	Low-speed Differential Parallel Data (complement)
D7+	85	O	Low-speed Differential Parallel Data (true)
D7-	86	O	Low-speed Differential Parallel Data (complement)
VTT	87	-	Power supply (-2.0V typ.)
VTT	88	-	Power supply (-2.0V typ.)
VCC	89	-	Power supply (GND typ.)
D6+	90	O	Low-speed Differential Parallel Data (true)
D6-	91	O	Low-speed Differential Parallel Data (complement)
D5+	92	O	Low-speed Differential Parallel Data (true)
D5-	93	O	Low-speed Differential Parallel Data (complement)
VTT	94	-	Power supply (-2.0V typ.)
VCC	95	-	Power supply (GND typ.)
D4+	96	O	Low-speed Differential Parallel Data (true)
D4-	97	O	Low-speed Differential Parallel Data (complement)
D3+	98	O	Low-speed Differential Parallel Data (true)
D3-	99	O	Low-speed Differential Parallel Data (complement)
VTT	100	-	Power supply (-2.0V typ.)
VTT	101	-	Power supply (-2.0V typ.)
VCC	102	-	Power supply (GND typ.)
D2+	103	O	Low-speed Differential Parallel Data (true)
D2-	104	O	Low-speed Differential Parallel Data (complement)
D1+	105	O	Low-speed Differential Parallel Data (true)
D1-	106	O	Low-speed Differential Parallel Data (complement)
VCC	107	-	Power supply (GND typ.)
VTT	108	-	Power supply (-2.0V typ.)
D0+	109	O	Low-speed Differential Parallel Data (true)
D0-	110	O	Low-speed Differential Parallel Data (complement)
VTT	111	-	Power supply (-2.0V typ.)
CLK16+	112	O	Low-speed clock f = 155.52 MHz (true)
CLK16-	113	O	Low-speed clock f = 155.52 MHz (complement)
VTT	114	-	Power supply (-2.0V typ.)

<i>Signal Name</i>	<i>Pin #</i>	<i>I/O</i>	<i>Description</i>
VCC	115	-	Power supply (GND typ.)
VTT	116	-	Power supply (-2.0V typ.)
REFCK-	117	I	19.44 MHz Reference Clock (complement)
REFCK+	118	I	19.44 MHz Reference Clock (true)
NC	119	-	Do not connect, leave open
DINVERT	120	I	Invert Parallel Data Outputs (Logic High = Invert)
CKOE	121	I	Test input (logic high enables 2.488 GHz clock output)
VTT	122	-	Power supply (-2.0V typ.)
VEE	123	-	Power supply (-5.2V typ.)
VCC	124	-	Power supply (GND typ.)
CLKO+	125	O	Test signal - low-swing high speed clock output (true)
CLKO-	126	O	Test signal - low-swing high speed clock output (complement)
VCC	127	-	Power supply (GND typ.)
VEE	128	-	Power supply (-5.2V typ.)

Table 9: Power Supply Summary

<i>Signal Name</i>	<i>Pin #</i>	<i>Description</i>
VEE	5,8,10,15,17,23,123,128	Power supply (-5.2V typ.)
VEEANA	24,43	Power supply for analog circuits (-5.2 typ.)
VTT	31,52,53,60,69,70,76, 82,87,88,94,100,101, 108,111,114,116,122	Power supply (-2.0V typ.)
VCC	1,2,4,6,7,9,11,14,16,18, 21,37,38,45,54,59,67, 68,75,81,89,95,102,107, 115,124,127	Power supply (GND typ.)
VCCANA	25,44	Power supply for analog circuits (GND typ.)
VSUB	65	Substrate Voltage (connect to lowest supply voltage, i.e., VEE)

All supplies which reference the same voltage may be connected to the same power supply plane. The VCCANA, and VEEANA are noise sensitive supplies. Appropriate power supply noise suppression should be applied to optimize the performance of the device.

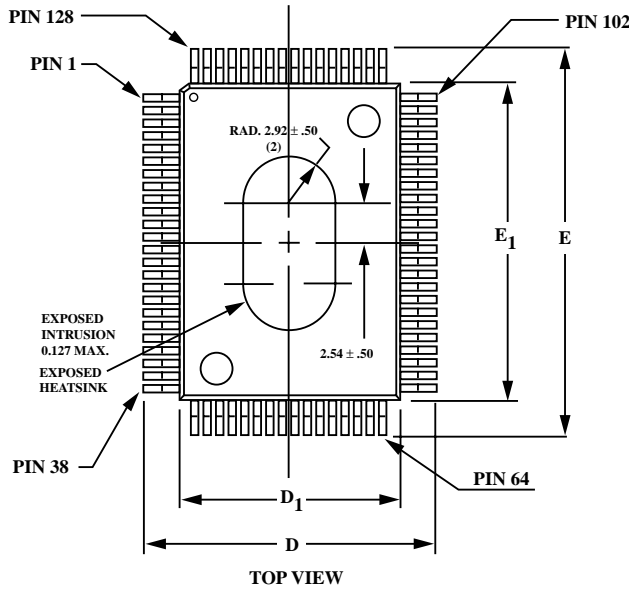
Advance Product Information

VSC8162

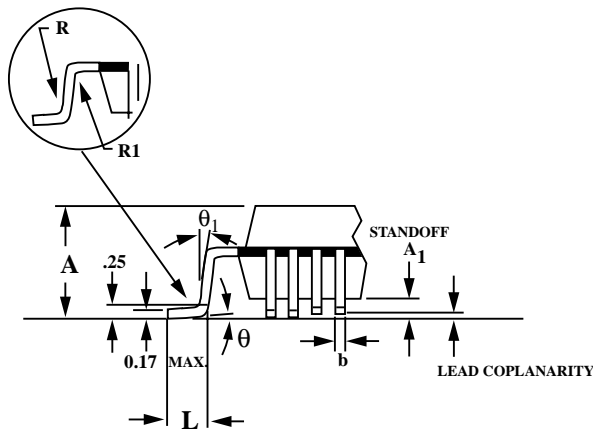
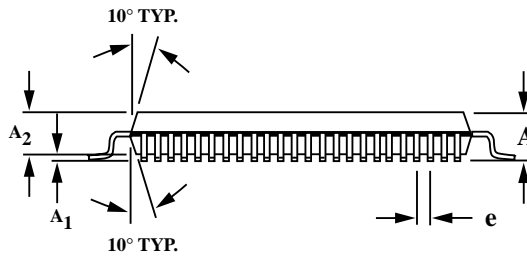
2.488 Gbit/sec SONET/SDH
1:16 Demux with Clock Recovery

Package Information

128 PQFP Package Drawings



Key	mm	Tolerance
A	2.35	MAX
A1	0.25	MAX
A2	2.00	+ .10
D	17.20	±.20
D1	14.00	±.10
E	23.20	±.20
E1	20.00	±.10
L	.88	+ .15/- .10
e	.50	BASIC
b	.22	±.05
θ	0°-7°	
R	.30	TYP
R1	.20	TYP



- Notes: 1) Drawing is not to scale
2) All dimensions in mm
3) Package represented is also used for the 64, 80, & 100 PQFP packages. Pin count drawn does not reflect the 128 Package.

NOTES:
Package #: 101-322-5
Issue #: 2

Notice

This document contains information about a product during its fabrication or early sampling phase of development. The information contained in this document is based on design targets, simulation results or early prototype test results. Characteristic data and other specifications are subject to change without notice. Therefore the reader is cautioned to confirm that this datasheet is current prior to design or order placement.

Warning

Vitesse Semiconductor Corporation's product are not intended for use in life support appliances, devices or systems. Use of a Vitesse product in such applications without written consent is prohibited.