

4.0" Single Digit Display

FEATURES

- 4.0" digit height
- Right hand decimal point
- Additional colors/materials available

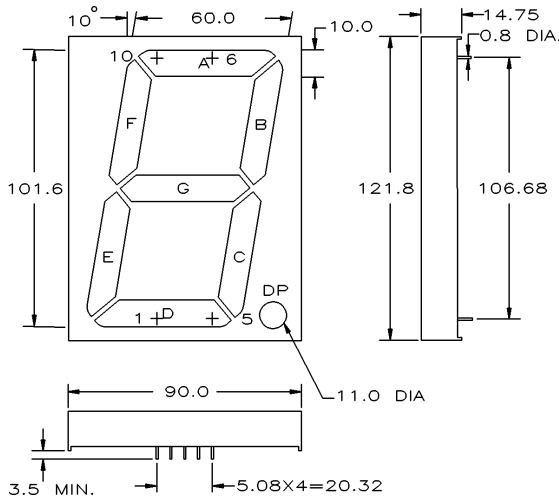
OPTO-ELECTRICAL CHARACTERISTICS (Ta = 25°C)

PART NO.	PEAK WAVE LENGTH (nm)	EMITTED COLOR	FACE COLORS		MAXIMUM RATINGS			OPTO-ELECTRICAL CHARACTERISTICS						PIN-OUT
			SURFACE COLOR	EPOXY COLOR	IF (mA)	VR (V)	PD (mW)	VF(V)		IR(μA)		IV(μcd)		
								Seg. typ. @40mA	DP typ. @20mA	max.	@VR	typ./ seg.* @20mA	DP* @10mA	
MTN2141-AG	567	Green	Grey	White	30	5	85	8.4	4.2	100	5	8600	8600	1
MTN4141-AO	635	Orange	Grey	White	30	5	85	8.4	4.2	100	5	9800	9800	1
MTN4141-AHR	635	Hi-Eff Red	Red	Red	30	5	85	8.4	4.2	100	5	9800	9800	1
MTN7141M-82A	660	Ultra Red	Black	Red	30	4	70	6.8	3.4	100	4	57700	57700	1
MTN2141-CG	567	Green	Grey	White	30	5	85	8.4	4.2	100	5	8600	8600	2
MTN4141-CO	635	Orange	Grey	White	30	5	85	8.4	4.2	100	5	9800	9800	2
MTN4141-CHR	635	Hi-Eff Red	Red	Red	30	5	85	8.4	4.2	100	5	9800	9800	2
MTN7141M-82C	660	Ultra Red	Black	Red	30	4	70	6.8	3.4	100	4	57700	57700	2

Operating Temperature: -25~+85, Storage Temperature: -25~+100. Other face/epoxy colors are available.

* Ultra bright red segment mod is @40mA, decimal point is @20mA.

PACKAGE DIMENSIONS AND PIN FUNCTIONS



1. ALL DIMENSIONS ARE IN mm, TOLERANCE IS ±0.25mm UNLESS OTHERWISE SPECIFIED.
2. THE SLOPE ANGLE OF ANY PIN MAY BE ±5.0° MAX.

PINOUT 1

COMMON ANODE

PIN NO. FUNCTION

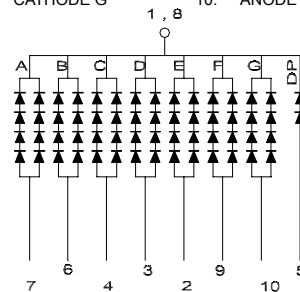
1. COMMON ANODE
2. CATHODE E
3. CATHODE D
4. CATHODE C
5. CATHODE DP
6. CATHODE B
7. CATHODE A
8. COMMON ANODE
9. CATHODE F
10. CATHODE G

PINOUT 2

COMMON CATHODE

PIN NO. FUNCTION

1. COMMON CATHODE
2. ANODE E
3. ANODE D
4. ANODE C
5. ANODE DP
6. ANODE B
7. ANODE A
8. COMMON CATHODE
9. ANODE F
10. ANODE G



120 Broadway • Menands, New York 12204

Toll Free: (800) 98-4LEDS • Fax: (518) 432-7454