



STLC5466

64 CHANNEL-MULTI HDLC WITH N X 64KB/S SWITCHING MATRIX ASSOCIATED

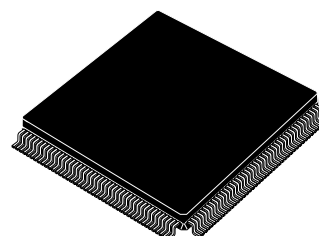
PRELIMINARY DATA

- 64 TX HDLCs with broadcasting capability and/or CSMA/CR function with automatic restart in case of Tx frame abort
- 64 RX HDLCs including Address Recognition
- 16 Command/Indicate Channels (4 or 6-bit primitive)
- 16 Monitor Channels processed in accordance with GCI or V*
- 256 x 256 Switching Matrix without blocking and with Time Slot Sequence Integrity and loopback per bidirectional connection
- DMA Controller for 64 Tx Channels and 64 Rx Channels
- HDLCs AND DMA CONTROLLER ARE CAPABLE OF HANDLING A MIX OF LAPD,LAPB, SS7, CAS AND PROPRIETARY SIGNALLINGS
- External shared memory access between DMA Controller and Micro processor
- SINGLE MEMORY SHARED BETWEEN n x MULTI-HDLCs AND SINGLE MICRO PROCESSOR ALLOWS TO HANDLE n x 64 CHANNELS
- Bus Arbitration
- Interface for various 8,16 or 32 bit Microprocessors with fetch memory to accelerate the exchanges between Microprocessor and SHARED MEMORY
- SDRAM Controller allows to interface up to 16 Megabytes of Synchronous Dynamic RAM
- Interrupt Controller to store automatically events in shared memory
- Boundary scan for test facility
- TQFP176 package 24 x 24 x 1.40 #MS-026BGA
- HCMOS6; 0.35 micron; 3.3volts +/-5%
- Operating temperature: -40 to +85 °C

DESCRIPTION

The STLC5466 is a Subscriber line interface card controller for Central Office, Central Exchange, NT2 and PBX capable of handling:

- 16 U Interfaces or
- 2 Megabits line interface cards or
- 16 SLICs (Plain Old Telephone Service) or
- Mixed analogue and digital Interfaces (SLICs or U Interfaces) or
- 16 S Interfaces
- Switching Network with centralized processing.



TQFP176
(Plastic Quad Flat Pack)

ORDERING NUMBER: STLC5466

TABLE OF CONTENTS

I	PIN INFORMATION.....	6
I.1	PIN CONNECTIONS	6
I.2	PIN DESCRIPTION	7
I.3	PIN DEFINITION.....	12
I.3.1	Input Pin Definition.....	12
I.3.2	Output Pin Definition	12
I.3.3	Input/Output Pin Definition.	12
II	BLOCK DIAGRAM.....	13
III	FUNCTIONAL DESCRIPTION	13
III.1	THE SWITCHING MATRIX N X 64 KBITS/S.....	13
III.1.1	Function Description	13
III.1.2	Architecture of the Matrix	13
III.1.3	Connection Function	13
III.1.4	Loop Back Function	15
III.1.5	Delay through the Matrix	15
III.1.5.1	Variable Delay Mode	15
III.1.5.2	Sequence Integrity Mode.....	15
III.1.6	Connection Memory	15
III.1.6.1	Description	15
III.1.6.2	Access to Connection Memory	15
III.1.6.3	Access to Data Memory.....	15
III.1.7	Switching at 32 Kbit/s	15
III.1.8	Switching at 16 Kbit/s	16
III.2	HDLC CONTROLLER.....	16
III.2.1	Function description	16
III.2.1.1	Format of the HDLC Frame	16
III.2.1.2	Composition of an HDLC Frame.....	16
III.2.1.3	Description and Functions of the HDLC Bytes.....	16
III.2.2	CSMA/CR Capability	17
III.2.3	Time Slot Assigner Memory	17
III.2.4	Data Storage Structure	18
III.2.4.1	Reception.....	18
III.2.4.2	Transmission.....	18
III.2.4.3	Frame Relay	18
III.2.5	Transparent Modes	18
III.2.6	Command of the HDLC Channels	19
III.2.6.1	Reception Control	19
III.2.6.2	Transmission Control	19
III.3	C/I AND MONITOR.....	19
III.3.1	Function Description	19
III.3.2	GCI and V* Protocol	19

III.3.3	Structure of the Treatment	20
III.3.4	CI and Monitor Channel Configuration.....	20
III.3.5	CI and Monitor Transmission/Reception Command	20
III.4	SCRAMBLER AND DESCRAMBLER.....	20
III.5	CONNECTION BETWEEN "ISDN CHANNELS" AND GCI CHANNELS	20
III.6	MICROPROCESSOR INTERFACE.....	21
III.6.1	Description	21
III.6.2	Buffer	21
III.6.2.1	Write FIFO	21
III.6.2.2	Read Fetch Memory	23
III.6.2.3	Definition of the Interface for the different microprocessors.....	23
III.7	MEMORY INTERFACE	23
III.7.1	Function Description	23
III.7.2	Choice of memory versus microprocessor and capacity required	23
III.7.3	Memory Cycle	23
III.7.4	Memories composed of different circuits	23
III.7.4.1	Memory obtained with 1M x16 SDRAM circuit.....	23
III.7.4.2	Memory obtained with 2M x 8 SDRAM circuit.....	23
III.7.4.3	Memory obtained with 8M x 8 SDRAM circuit.....	23
III.7.4.4	Memory obtained with 4M x 16 SDRAM circuit.....	24
III.8	BUS ARBITRATION	24
III.9	CLOCKS	24
III.9.1	Clock Distribution Selection and Supervision	24
III.9.2	VCXO Frequency Synchronization	24
III.10	INTERRUPT CONTROLLER.....	25
III.10.1	Description	25
III.10.2	Operating Interrupts (INT0 Pin).....	25
III.10.3	Time Base Interrupts (INT1 Pin)	25
III.10.4	Emergency Interrupts (WDO Pin)	25
III.10.5	Interrupt Queues	25
III.11	WATCHDOG.....	25
III.12	RESET	25
III.13	BOUNDARY SCAN.....	26
IV	DC SPECIFICATIONS.....	27
V	LIST OF REGISTERS	29
VI	INTERNAL REGISTERS	31
VI.1	IDENTIFICATION AND DYNAMIC COMMAND REGISTER... IDCR (00)H.....	31
VI.2	GENERAL CONFIGURATION REGISTER 1	GCR1 (02)H.....31
VI.3	INPUT MULTIPLEX CONFIGURATION REGISTER 0.....	IMCR0 (04)H.....33

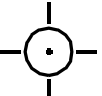
VI.4	INPUT MULTIPLEX CONFIGURATION REGISTER 1	IMCR1 (06)H.....	34
VI.5	OUTPUT MULTIPLEX CONFIGURATION REGISTER 0.....	OMCR0 (08)H.....	34
VI.6	OUTPUT MULTIPLEX CONFIGURATION REGISTER 1.....	OMCR1 (0A)H	34
VI.7	SWITCHING MATRIX CONFIGURATION REGISTER	SMCR (0C)H.....	35
VI.8	CONNECTION MEMORY DATA REGISTER	CMDR (0E)H.....	37
VI.9	CONNECTION MEMORY ADDRESS REGISTER	CMAR (10)H	41
VI.10	SEQUENCE FAULT COUNTER REGISTER	SFCR (12)H.....	45
VI.11	TIME SLOT ASSIGNER ADDRESS REGISTER 1.....	TAAR1 (14)H	45
VI.12	TIME SLOT ASSIGNER DATA REGISTER 1	TADR1 (16)H.....	45
VI.13	HDLC TRANSMIT COMMAND REGISTER 1	HTCR1 (18)H.....	46
VI.14	HDLC RECEIVE COMMAND REGISTER 1	HRCR1 (1A)H.....	48
VI.15	ADDRESS FIELD RECOGNITION ADDRESS REGISTER 1 .	AFRAR1 (1C)H.....	50
VI.16	ADDRESS FIELD RECOGNITION DATA REGISTER 1	AFRDR1 (1E)H.....	50
VI.17	FILL CHARACTER REGISTER 1.....	FCR1 (20)H	51
VI.18	GCI CHANNELS DEFINITION REGISTER 0	GCIR0 (22)H.....	51
VI.19	GCI CHANNELS DEFINITION REGISTER 1	GCIR1 (24)H.....	51
VI.20	GCI CHANNELS DEFINITION REGISTER 2	GCIR2 (26)H.....	52
VI.21	GCI CHANNELS DEFINITION REGISTER 3	GCIR3 (28)H.....	52
VI.22	TRANSMIT COMMAND / INDICATE REGISTER	TCIR (2A)H.....	52
VI.23	TRANSMIT MONITOR ADDRESS REGISTER.....	TMAR (2C)H.....	53
VI.24	TRANSMIT MONITOR DATA REGISTER	TMDR (2E)H.....	54
VI.25	TRANSMIT MONITOR INTERRUPT REGISTER.....	TMIR (30)H.....	55
VI.26	MEMORY INTERFACE CONFIGURATION REGISTER.....	MICR (32)H.....	55
VI.27	INITIATE BLOCK ADDRESS REGISTER 1	IBAR1 (34)H	56
VI.28	INTERRUPT QUEUE SIZE REGISTER	IQSR (36)H.....	56
VI.29	INTERRUPT REGISTER	IR (38)H	57
VI.30	INTERRUPT MASK REGISTER.....	IMR (3A)H.....	58
VI.31	TIMER REGISTER 1	TIMR1 (3C)H	59
VI.32	TEST REGISTER	TR (3E)H.....	59
VI.33	GENERAL CONFIGURATION REGISTER 2	GCR2 (42)H.....	60
VI.34	SPLIT FETCH MEMORY REGISTER	SFMR (4E)H	61
VI.35	TIME SLOT ASSIGNER ADDRESS REGISTER 2.....	TAAR2 (54)H	62
VI.36	TIME SLOT ASSIGNER DATA REGISTER 2	TADR2 (56)H.....	62
VI.37	HDLC TRANSMIT COMMAND REGISTER 2	HTCR2 (58)H.....	63

VI.38	HDLC RECEIVE COMMAND REGISTER 2	HRCR2 (5A)H.....	65
VI.39	ADDRESS FIELD RECOGNITION ADDRESS REGISTER 2	AFRAR2 (5C)H.....	67
VI.40	ADDRESS FIELD RECOGNITION DATA REGISTER 2.....	AFRDR2 (5E)H.....	67
VI.41	FILL CHARACTER REGISTER 2	FCR2 (60)H	68
VI.42	SDRAM MODE REGISTER.....	SDRAMR (72)H	68
VI.43	INITIATE BLOCK ADDRESS REGISTER 2	IBAR2 (74)H	69
VI.44	TIMER REGISTER 2	TIMR2 (7C)H	70
VII	EXTERNAL REGISTERS.....		71
VII.1	INITIALIZATION BLOCK IN EXTERNAL MEMORY (IBA1 AND IBA2)		71
VII.2	RECEIVE DESCRIPTOR.....		72
VII.2.1	Bits written by the Microprocessor only		72
VII.2.2	Bits written by the Rx DMAC only		72
VII.2.3	Receive Buffer		73
VII.3	TRANSMIT DESCRIPTOR.....		73
VII.3.1	Bits written by the Microprocessor only		73
VII.3.2	Bits written by the Tx DMAC only		74
VII.3.3	Transmit Buffer		74
VII.4	RECEIVE & TRANSMIT HDLC FRAME INTERRUPT		75
VII.5	RECEIVE COMMAND / INDICATE INTERRUPT.....		76
VII.5.1	Receive Command / Indicate Interrupt when TSV = 0		76
VII.5.2	Receive Command / Indicate Interrupt when TSV = 1		77
VII.6	RECEIVE MONITOR INTERRUPT.....		77
VII.6.1	Receive Monitor Interrupt when TSV = 0		77
VII.6.2	Receive Monitor Interrupt when TSV = 1		78
VIII	TQFP176 PACKAGE MECHANICAL DATA		79
IX	FIGURES AND TIMING.....		80

STLC5466

I - PIN INFORMATION
I.1 - Pin Connections

1	N.C	132	VDD14
2	VSS15	131	EC2
3	NRESET	130	NCE3/ADM13
4	MCLK	129	CB2
5	SFS	128	NCE2/ADM12
6	WDO	127	UDQM1
7	CB1	126	NCE1
8	EC1	125	LDQM1
9	VCXO IN	124	NCE0
10	VCXO OUT	123	NRAS
11	DCLK	122	NWE
12	CLOCKA	121	TR0
13	CLOCKB	120	TR1
14	FRAMEA	119	VSS7
15	FRAMEB	118	VSS7
16	VDD1	117	VDD7
17	VSS1	116	D15
18	FS	115	D14
19	FSCG	114	D13
20	FSCV	113	D12
21	PSS	112	D11
22	DIN0	111	D10
23	DIN1	110	D9
24	DIN2	109	D8
25	DIN3	108	D7
26	DIN4	107	D6
27	DIN5	106	D5
28	DIN6	105	D4
29	DIN7	104	D3
30	DIN8	103	D2
31	VDD2	102	D1
32	VSS2	101	D0
33	DOU0	100	VSS6
34	DOU1	99	VDD6
35	DOU2	98	A23
36	DOU3	97	A22
37	DOU4	96	A21
38	DOU5	95	A20
39	DOU6	94	A19
40	DOU7	93	A18
41	NDIS/NCSS2	92	A17
42	NTRST	91	A16
43	VDD12	90	VSS13
44	N.C	89	N.C
45	N.C	88	N.C
46	VSS12	87	VDD13
47	TMS	86	VDD13
48	TDI	85	A15/AD15
49	TDO	84	A14/AD14
50	TCK	83	A13/AD13
51	VDD3	82	A12/AD12
52	VSS3	81	A11/AD11
53	NCS0	80	A10/AD10
54	NCS1	79	VSS5
55	INT0	78	VDD5
56	INT1	77	A9/AD9
57	SIZE0/NLDS/NLBA	76	A8/AD8
58	SIZE1/NBHE/NUDS	75	A7/AD7
59	NDSACK0/NDTACK	74	A6/AD6
60	NDSACK1/READY	73	A5/AD5
61	NAS/ALE	72	A4/AD4
62	R/W /NWR	71	A3/AD3
63	NDS/NRD/CLKOUT	70	A2/AD2
64	MOD0	69	A1/AD1
65	MOD1	68	VSS4
66	MOD2	67	VDD4
67	VDD4	66	MOD2
68	VSS4	65	MOD1
69	A0/AD0	64	MOD0
70	A1/AD1	63	NDS/NRD/CLKOUT
71	A2/AD2	62	R/W /NWR
72	A3/AD3	61	NAS/ALE
73	A4/AD4	60	NDSACK1/READY
74	A5/AD5	59	NDSACK0/NDTACK
75	A6/AD6	58	SIZE1/NBHE/NUDS
76	A7/AD7	57	SIZE0/NLDS/NLBA
77	A8/AD8	56	INT1
78	A9/AD9	55	INT0
79	VDD5	54	NCS1
80	VSS5	53	NCS0
81	A10/AD10	52	VSS3
82	A11/AD11	51	VDD3
83	A12/AD12	50	TCK
84	A13/AD13	49	TDO
85	A14/AD14	48	TDI
86	A15/AD15	47	TMS
87	VDD13	46	VSS12
88	N.C	45	N.C



STLC5466

NREADY



I.2 - Pin Description

Pin N°	Symbol	Type	Function
30 POWER PINS (all the power and ground pins must be connected)			
16	V _{DD1}	Power	DC supply
17	V _{SS1}	Ground	DC ground
31	V _{DD2}	Power	DC supply
32	V _{SS2}	Ground	DC ground
51	V _{DD3}	Power	DC supply
52	V _{SS3}	Ground	DC ground
67	V _{DD4}	Power	DC supply
68	V _{SS4}	Ground	DC ground
79	V _{DD5}	Power	DC supply
80	V _{SS5}	Ground	DC ground
99	V _{DD6}	Power	DC supply
100	V _{SS6}	Ground	DC ground
117	V _{DD7}	Power	DC supply
118	V _{SS7}	Ground	DC ground
135	V _{DD8}	Power	DC supply
136	V _{SS8}	Ground	DC ground
147	V _{DD9}	Power	DC supply
148	V _{SS9}	Ground	DC ground
159	V _{DD10}	Power	DC supply
160	V _{SS10}	Ground	DC ground
172	V _{DD11}	Power	DC supply
173	V _{SS11}	Ground	DC ground
43	V _{DD12}	Power	DC supply
46	V _{SS12}	Ground	DC ground
87	V _{DD13}	Power	DC supply
90	V _{SS13}	Ground	DC ground
131	V _{DD14}	Power	DC supply
134	V _{SS14}	Ground	DC ground
175	V _{DD15}	Power	DC supply
2	V _{SS15}	Ground	DC ground

CLOCKS

4	MCLK	I3_ft	Master clock. This input can receive an external clock at 66, 50 or 33MHz.
5	SFS	O3_ft	Superframe Synchronisation. Programmable signal from 250 microseconds to 15 seconds.

Type	ft: five volts tolerant	fnt: five volts not tolerant		
TTL	I1_ft = Input TTL	I2_ft = I1_ft+pull up	I3_ft = I1_ft+hysteresis	I4_ft = I3_ft+pull up
TTL	I/O6_ft = Input TTL/ Output TTL 6 mA			I5_ft = I3_ft+pull down;
TTL	O3_ft = Output TTL 3 mA	O3T_ft = O3_ft+Tristate	O6_ft = Output TTL 6mA	
TTL	O6D_ft = Output TTL 6mA, Open Drain		O6DT_ft = Output TTL 6mA, Open Drain or Tristate	
CMOS	I/O8_fnt = Input TTL, /Output CMOS 8mA;		O8T_fnt = Output CMOS 8mA	I/O8_fnt = Input TTL, /Output CMOS 8mA
CMOS	O4_fnt = Output CMOS 4mA			

STLC5466

Pin N°	Symbol	Type	Function
9	VCXO IN	I3_ft	VCXO input signal. This signal is compared to clock A(orB) selected inside the <i>Multi-HDLC</i> .
10	VCXO OUT	O3_ft	VCXO error signal. This pin delivers the result of the comparison.
12	CLOCKA	I3_ft	Input Clock A (4096kHz or 8192kHz)
13	CLOCKB	I3_ft	Input Clock B (4096kHz or 8192kHz)
14	FRAMEA	I3_ft	Clock A at 8kHz
15	FRAMEB	I3_ft	Clock B at 8kHz
11	DCLK	O6_ft	Data Clock issued from Input Clock A (or B). This clock is delivered by the circuit at 4096kHz (or 2048kHz). DOUT0/7 are transmitted on the rising edge of this signal. DIN0/7 are sampled on the falling edge of this signal.
19	FSCG	O6_ft	Frame synchronization for GCI at 8kHz. This clock is issued from FRAME A (or B).
20	FSCV*	O6_ft	Frame synchronization for V Star at 8kHz
18	FS	I3_ft	Frame synchronization. This signal synchronizes DIN0/8 and DOUT0/7 and CB.
21	PSS	O3_ft	Programmable synchronization Signal. PSS is programmed by the PS bit of connection memory.

TIME DIVISION MULTIPLEXES (TDM)

22	DIN0	I3_ft	TDM0 Data Input 0
23	DIN1	I3_ft	TDM1 Data Input 1
24	DIN2	I3_ft	TDM2 Data Input 2
25	DIN3	I3_ft	TDM3 Data Input 3
26	DIN4	I3_ft	TDM4 Data Input 4
27	DIN5	I3_ft	TDM5 Data Input 5
28	DIN6	I3_ft	TDM6 Data Input 6
29	DIN7	I3_ft	TDM7 Data Input 7
30	DIN8	I3_ft	TDM8 Data Input 8, Direct access to 1st 32 HDLC Controller
153	DIN9	I3_ft	TDM9 Data Input 9, Direct access to 2nd 32 HDLC Controller
33	DOUT0	O6DT_ft	TDM0 Data Output 0
34	DOUT1	O6DT_ft	TDM1 Data Output 1
35	DOUT2	O6DT_ft	TDM2 Data Output 2
36	DOUT3	O6DT_ft	TDM3 Data Output 3
37	DOUT4	O6DT_ft	TDM4 Data Output 4
38	DOUT5	O6DT_ft	TDM5 Data Output5
39	DOUT6	O6DT_ft	TDM6 Data Output6
40	DOUT7	O6DT_ft	TDM7 Data Output 7

Type	ft: five volts tolerant	fnt: five volts not tolerant		
TTL	I1_ft = Input TTL	I2_ft = I1_ft+pull up	I3_ft = I1_ft+hysteresis	I4_ft = I3_ft+pull up
TTL	I/O6_ft = Input TTL/ Output TTL 6 mA			I5_ft = I3_ft+pull down;
TTL	O3_ft = Output TTL 3 mA	O3T_ft = O3_ft+Tristate	O6_ft = Output TTL 6mA	
TTL	O6D_ft = Output TTL 6mA, Open Drain		O6DT_ft = Output TTL 6mA, Open Drain or Tristate	
CMOS	I/O8_fnt = Input TTL, /Output CMOS 8mA;		O8T_fnt = Output CMOS 8mA	I/O8_ft = Input TTL, /Output CMOS 8mA
CMOS	O4_fnt = Output CMOS 4mA			

Pin N°	Symbol	Type	Function
41	NDIS/NCS2	I3_ft	If 386EX interface is not selected: DOUT 0/7 Not Disable. When this pin is at 0V, the Data Output 0/7 are at high impedance. Wired at V _{DD} if not used. If 386EX interface is selected: NCS2 (Chip Select 2) equivalent to NCS1. Chip Select 2: external memory is selected During Chip select (NCS2=0), the output Ready (pin 59) is low impedance and outside Chip select (NCS2=1), the output Ready is high impedance.
7	CB1	O6D_ft	Contention Bus (CSMA/CR) for 1st 32 HDLC Controller
8	EC1	I3_ft	Echo for 1st 32 HDLC Controller. Wired at V _{SS} if not used.
128	CB2	O6D_ft	Contention Bus (CSMA/CR) for 2nd 32 HDLC Controller
130	EC2	I3_ft	Echo for 2nd 32 HDLC Controller. Wired at V _{SS} if not used.

BOUDARY SCAN

42	NTRST	I4_ft	Reset for boundary scan
47	TMS	I2_ft	Mode Selection for boundary scan
48	TDI	I2_ft	Input Data for boundary scan
49	TDO	O3T_ft	Output Data for boundary scan
50	TCK	I4_ft	Clock for boundary scan

MICROPROCESSOR INTERFACE

64	MOD0	I1_ft	1	1	0	0	1	1	0	0
65	MOD1	I1_ft	1	1	0	0	0	0	1	1
66	MOD2	I1_ft	0	1	1	0	0	1	1	0
			80C188	80C186	68000	68020	ST9	ST10 m	ST10Nm	386EX
3	NRESET	I3_ft	Circuit Reset							
53	NCS0	I3_ft	Chip Select 0: internal registers are selected							
54	NCS1	I3_ft	Chip Select 1: external memory is selected During Chip select (NCS1=0), the output Ready (pin 59) is low impedance and outside Chip select (NCS1=1), the output Ready is high impedance.							
55	INT0	O3_ft	Interrupt generated by HDLC, RxC/I or RxMON. Active high.							
56	INT1	O3_ft	Interrupt1.This pin goes to 5V when the selected clock A (or B) has disappeared; 250µs after reset this pin goes to 5V also if clock A is not present.							
6	WDO	O3_ft	Watch Dog Output.This pin goes to 5V during 250µs when the microprocessor has not reset the Watch Dog during the programmable time.							
57	SIZE0/NLDS/NLBA	I3_ft	Transfer Size0 (68020)/Lower Data Strobe/Local Bus Access# when 386EX							
58	SIZE1/NBHE/NUDS	I3_ft	Transfer Size1(68020)/Bus High Enable (Intel) / Upper Data Strobe (68000)							
59	NDSACK0/ NDTACK/ NREADY	O6T_ft/ O6T_ft/ O6D_ft	Data Strobe, Acknowledge and Size0 (68020)/ Data Transfer Acknowledge (68000 and ST10)/ READY# (386EX)							
60	NDSACK1/ READY	O6T_ft/ O6T_ft	Data Strobe, Acknowledge and Size1 (68020)/ Data Transfer Acknowledge (Intel)							
61	NAS/ ALE/NADS	I3_ft	Address Strobe(Motorola) / Address Latch Enable(Intel) / Address Status 386EX							
62	R/W / NWR	I3_ft	Read/Write (Motorola) / Write(Intel)							

Type	ft: five volts tolerant	fnt: five volts not tolerant		
TTL	I1_ft = Input TTL	I2_ft = I1_ft+pull up	I3_ft = I1_ft+hysteresis	I4_ft = I3_ft+pull up
TTL	I/O6_ft = Input TTL/ Output TTL 6 mA			I5_ft = I3_ft+pull down;
TTL	O3_ft = Output TTL 3 mA	O3T_ft = O3_ft+Tristate	O6_ft = Output TTL 6mA	
TTL	O6D_ft = Output TTL 6mA, Open Drain		O6DT_ft = Output TTL 6mA, Open Drain or Tristate	
CMOS	I/O8_fnt = Input TTL, /Output CMOS 8mA;		O8T_fnt = Output CMOS 8mA	I/O8_fnt = Input TTL, /Output CMOS 8mA
CMOS	O4_fnt = Output CMOS 4mA			

STLC5466

Pin N°	Symbol	Type	Function
63	NDS/ NRD/CLKOUT	I3_ft	Data Strobe (Motorola) External resistor at Vss if 68000/ Read Data (Intel)/CLKOUT if 386EX
69	A0/AD0	I/O6_ft	Address bit 0 (Motorola) / Address/Data bit 0 (Intel)
70	A1/AD1	I/O6_ft	Address bit 1 (Motorola) / Address/Data bit 1 (Intel)
71	A2/AD2	I/O6_ft	Address bit 2 (Motorola) / Address/Data bit 2 (Intel)
72	A3/AD3	I/O6_ft	Address bit 3 (Motorola) / Address/Data bit 3 (Intel)
73	A4/AD4	I/O6_ft	Address bit 4 (Motorola) / Address/Data bit 4 (Intel)
74	A5/AD5	I/O6_ft	Address bit 5 (Motorola) / Address/Data bit 5 (Intel)
75	A6/AD6	I/O6_ft	Address bit 6 (Motorola) / Address/Data bit 6 (Intel)
76	A7/AD7	I/O6_ft	Address bit 7 (Motorola) / Address/Data bit 7 (Intel)
77	A8/AD8	I/O6_ft	Address bit 8 (Motorola) / Address/Data bit 8 (Intel)
78	A9/AD9	I/O6_ft	Address bit 9 (Motorola) / Address/Data bit 9 (Intel)
81	A10/AD10	I/O6_ft	Address bit 10 (Motorola) / Address/Data bit 10 (Intel)
82	A11/AD11	I/O6_ft	Address bit 11 (Motorola) / Address/Data bit 11 (Intel)
83	A12/AD12	I/O6_ft	Address bit 12 (Motorola) / Address/Data bit 12 (Intel)
84	A13/AD13	I/O6_ft	Address bit 13 (Motorola) / Address/Data bit 13 (Intel)
85	A14/AD14	I/O6_ft	Address bit14 (Motorola) / Address/Data bit 14 (Intel)
86	A15/AD15	I/O6_ft	Address bit15 (Motorola) / Address/Data bit 15 (Intel)
91	A16	I1_ft	Address bit16 from μP
92	A17	I1_ft	Address bit17 from μP
93	A18	I1_ft	Address bit18 from μP
94	A19	I1_ft	Address bit19 from μP
95	A20	I1_ft	Address bit 20 from μP
96	A21	I1_ft	Address bit 21 from μP
97	A22	I1_ft	Address bit 22 from μP
98	A23	I1_ft	Address bit 23 from μP
101	DO	I/O6_ft	Data bit 0 for μP if not multiplexed (see Note 1).
102	D1	I/O6_ft	Data bit 1 for μP if not multiplexed
103	D2	I/O6_ft	Data bit 2 for μP if not multiplexed
104	D3	I/O6_ft	Data bit 3 for μP if not multiplexed
105	D4	I/O6_ft	Data bit 4 for μP if not multiplexed
106	D5	I/O6_ft	Data bit 5 for μP if not multiplexed
107	D6	I/O6_ft	Data bit 6 for μP if not multiplexed
108	D7	I/O6_ft	Data bit 7 for μP if not multiplexed
109	D8	I/O6_ft	Data bit 8 for μP if not multiplexed
110	D9	I/O6_ft	Data bit 9 for μP if not multiplexed
111	D10	I/O6_ft	Data bit 10 for μP if not multiplexed

Type	ft: five volts tolerant	fnt: five volts not tolerant		
TTL	I1_ft = Input TTL	I2_ft = I1_ft+pull up	I3_ft = I1_ft+hysteresis	I4_ft = I3_ft+pull up
TTL	I/O6_ft = Input TTL/ Output TTL 6 mA			I5_ft = I3_ft+pull down;
TTL	O3_ft = Output TTL 3 mA	O3T_ft = O3_ft+Tristate	O6_ft = Output TTL 6mA	
TTL	O6D_ft = Output TTL 6mA, Open Drain		O6DT_ft = Output TTL 6mA, Open Drain or Tristate	
CMOS	I/O8_fnt = Input TTL, /Output CMOS 8mA;		O8T_fnt = Output CMOS 8mA	I/O8_fnt = Input TTL, /Output CMOS 8mA
CMOS	O4_fnt = Output CMOS 4mA			



Pin N°	Symbol	Type	Function
112	D11	I/O6_ft	Data bit 11 for μ P if not multiplexed
113	D12	I/O6_ft	Data bit 12 for μ P if not multiplexed
114	D13	I/O6_ft	Data bit 13 for μ P if not multiplexed
115	D14	I/O6_ft	Data bit 14 for μ P if not multiplexed
116	D15	I/O6_ft	Data bit 15 for μ P if not multiplexed

MEMORY INTERFACE

119	TRI	I3_ft	Token Ring Input (for use <i>Multi-HDLCs</i> in cascade)
120	TRO	O4_fnt	Token Ring Output (for use <i>Multi-HDLCs</i> in cascade)
121	NWE	O8T_fnt	Write Enable for SDRAM
122	NRAS	O8T_fnt	Row Address Strobe for SDRAM
123	NCE0	O8T_fnt	Chip Select 0 for SDRAM
124	LDQM	O8T_fnt	Lower Data inputs/outputs mask enable for SDRAM
125	NCE1	O8T_fnt	Chip Select 1 for SDRAM
126	UDQM	O8T_fnt	Upper Data inputs/outputs mask enable for SDRAM
127	NCE2/ ADM12	O8T_fnt	Chip Select 2 for SDRAM/ Address bit 12 for 8Mx8 SDRAM circuit
129	NCE3/ADM13	O8T_fnt	Chip Select 3 for SDRAM/Address bit 13 for 8Mx8 SDRAM circuit
137	ADM0	O8T_fnt	Address bit 0 for SDRAM
138	ADM1	O8T_fnt	Address bit 1 for SDRAM
139	ADM2	O8T_fnt	Address bit 2 for SDRAM
140	ADM3	O8T_fnt	Address bit 3 for SDRAM
141	ADM4	O8T_fnt	Address bit 4 for SDRAM
142	ADM5	O8T_fnt	Address bit 5 for SDRAM
143	ADM6	O8T_fnt	Address bit 6 for SDRAM
144	ADM7	O8T_fnt	Address bit 7 for SDRAM
145	ADM8	O8T_fnt	Address bit 8 for SDRAM
146	ADM9	O8T_fnt	Address bit 9 for SDRAM
149	ADM10	O8T_fnt	Address bit 10 for SDRAM
150	ADM11	O8T_fnt	Address bit 11 for SDRAM
151	NCAS	O8T_fnt	Column Address Strobe for SDRAM
152	SCANM	I5_ft	Scan mode reserved for device test
154	DM0	I/O8_fnt	SDRAM Data bit 0
155	DM1	I/O8_fnt	SDRAM Data bit 1
156	DM2	I/O8_fnt	SDRAM Data bit 2
157	DM3	I/O8_fnt	SDRAM Data bit 3
158	DM4	I/O8_fnt	SDRAM Data bit 4
161	DM5	I/O8_fnt	SDRAM Data bit 5

Type	ft: five volts tolerant	fnt: five volts not tolerant		
TTL	I1_ft = Input TTL	I2_ft = I1_ft+pull up	I3_ft = I1_ft+hysteresis	I4_ft = I3_ft+pull up
TTL	I/O6_ft = Input TTL/ Output TTL 6 mA			I5_ft = I3_ft+pull down;
TTL	O3_ft = Output TTL 3 mA	O3T_ft = O3_ft+Tristate	O6_ft = Output TTL 6mA	
TTL	O6D_ft = Output TTL 6mA, Open Drain		O6DT_ft = Output TTL 6mA, Open Drain or Tristate	
CMOS	I/O8_fnt = Input TTL, /Output CMOS 8mA;		O8T_fnt = Output CMOS 8mA	I/O8_fnt = Input TTL, /Output CMOS 8mA
CMOS	O4_fnt = Output CMOS 4mA			

Pin N°	Symbol	Type	Function
162	DM6	I/O8_fnt	SDRAM Data bit 6
163	DM7	I/O8_fnt	SDRAM Data bit 7
164	DM8	I/O8_fnt	SDRAM Data bit 8
165	DM9	I/O8_fnt	SDRAM Data bit 9
166	DM10	I/O8_fnt	SDRAM Data bit 10
167	DM11	I/O8_fnt	SDRAM Data bit 11
168	DM12	I/O8_fnt	SDRAM Data bit 12
169	DM13	I/O8_fnt	SDRAM Data bit 13
170	DM14	I/O8_fnt	SDRAM Data bit 14
171	DM15	I/O8_fnt	SDRAM Data bit 15
174	NTEST	I2_ft	Test Control. When this pin is at 0V each output is high impedance.

Type	ft: five volts tolerant	fnt: five volts not tolerant		
TTL	I1_ft = Input TTL	I2_ft = I1_ft+pull up	I3_ft = I1_ft+hysteresis	I4_ft = I3_ft+pull up
TTL	I/O6_ft = Input TTL/ Output TTL 6 mA			I5_ft = I3_ft+pull down;
TTL	O3_ft = Output TTL 3 mA	O3T_ft = O3_ft+Tristate	O6_ft = Output TTL 6mA	
TTL	O6D_ft = Output TTL 6mA, Open Drain		O6DT_ft = Output TTL 6mA, Open Drain or Tristate	
CMOS	I/O8_fnt = Input TTL, /Output CMOS 8mA;		O8T_fnt = Output CMOS 8mA	I/O8_fnt = Input TTL, /Output CMOS 8mA
CMOS	O4_fnt = Output CMOS 4mA			

Notes : 1. D0/15 input/output pins must be connected to one single external pull up resistor if not used.

I.1 - Pin Definition

The pins of the circuit are five volts tolerant except the pins assigned to SDRAM interface.

I.1.1 - Input Pin Definition

- I1_ft Input TTL, five volts tolerant
- I2_ft Input 1 TTL + pull up, five volts tolerant
- I3_ft Input 2 TTL + hysteresis, five volts tolerant
- I4_ft Input 3 TTL + hysteresis +pull up, five volts tolerant.
- I5_ft Input 4 TTL + hysteresis +pull down, five volts tolerant

I.1.2 - Output Pin Definition

- O3_ft Output TTL 3 mA, five volts tolerant
- O3T_ft Output TTL 3 mA, Tristate, five volts tolerant
- O6_ft Output TTL 6mA, five volts tolerant
- O6D_ft Output TTL 6mA,Open Drain, five volts tolerant
- O6DT_ft Output TTL 6mA,Open Drain or Tristate. (Programmable pin), five volts tolerant
- O4_fnt Output CMOS 4mA, five volts not tolerant
- O8T_fnt Output CMOS 8mA, Tristate, five volts not tolerant

Moreover, each output is high impedance when the NTEST Pin is at 0 volt.

I.1.3 - Input/Output Pin Definition.

- I/O6_ft Input TTL/ Output TTL 6 mA five volts tolerant
- I/O8_fnt Input TTL/Output CMOS 8mA, five volts not tolerant



II - BLOCK DIAGRAM

The top level functionalities of *Multi-HDLC* appear on the general block diagram.

There are:

- The switching matrix,
- The 2 time slot assigners,
- The 2 x 32 HDLC transmitters with associated DMA controllers,
- The 2 x 32 HDLC receivers with associated DMA controllers,
- The 16 Command/Indicate and Monitor Channel transmitters belonging to the two General Component Interfaces (GCI),
- The 16 Command/Indicate and Monitor Channel receivers belonging to the two General Component Interfaces (GCI),
- The Synchronous Dynamic Memory interface,
- The microprocessor interface including Write FIFO and Fetch Memory,
- The bus arbitration,
- The clock selection and time synchronization function,
- The interrupt controller,
- The watchdog

III - FUNCTIONAL DESCRIPTION

III.1 - The Switching Matrix N x 64 KBits/S

III.1.1 - Function Description

The matrix performs a non-blocking switch of 256 time slots from 8 Input Time Division Multiplex (TDM) at 2 Mbit/s to 8 output Time Division Multiplex at 2 Mbit/s. A TDM at 2 Mbit/s consists of 32 Time Slots (TS) at 64 kbit/s. One Time Division Multiplex at 4 Mbit/s can take place of two Time Division Multiplex at 2 Mbit/s. This TDM at 4 Mbit/s is composed of 64 Time Slots (TS) at 64 kbit/s.

The matrix is designed to switch a 64 kbit/s channel (Variable delay mode) or an hyperchannel of data (Sequence integrity mode). So, it will both provide minimum throughput switching delay for voice applications and time slot sequence integrity for data applications on a per channel basis.

The requirements of the Sequence Integrity ($n \times 64$ kbit/s) mode are the following:

All the time slots of a given input frame must be put out during a same output frame.

The time slots of an hyperchannel (concatenation of TS in the same TDM) are not crossed together at output in different frames.

In variable delay mode, the time slot is put out as soon as possible. (The delay is two or three time slots minimum between input and output).

For test facilities, any time slot of an Output TDM (OTDM) can be internally looped back into the same Input TDM number (ITDM) at the same time slot number.

A Pseudo Random Sequence Generator and a Pseudo Random Sequence Analyser are implemented in the matrix. They allow the generation of a sequence on a channel or on a hyperchannel, to analyse it and verify its integrity after several switching in the matrix or some passing of the sequence across different boards.

The Frame Signal (FS) synchronises ITDM and OTDM but a programmable delay or advance can be introduced separately on each ITDM and OTDM (a half bit time, a bit time or two bit times).

An additional pin (PSS) permits the generation of a programmable signal composed of 256 bits per frame at a bit rate of 2048 kbit/s. The programming of this signal is performed thanks to PS bit of Connection Memory.

An external pin (NDIS) asserts a high impedance on all the TDM outputs of the matrix when active (during the initialization of the board for example).

III.1.2 - Architecture of the Matrix

The matrix is essentially composed of buffer data memories and a Connection Memory.

The received serial data is first converted to parallel by a serial to parallel converter and stored consecutively in a 256 position Buffer Data Memory (see Figure).

To satisfy the Sequence Integrity ($n \times 64$ kbit/s) requirements, the data memory is built with an even memory, an odd memory and an output memory. Two consecutive frames are stored alternatively in the odd and even memory. During the time an input frame is stored, the one previously stored is transferred into the output memory according to the connection memory switching orders. A frame later, the output memory is read and data is converted to serial and transferred to the output TDM.

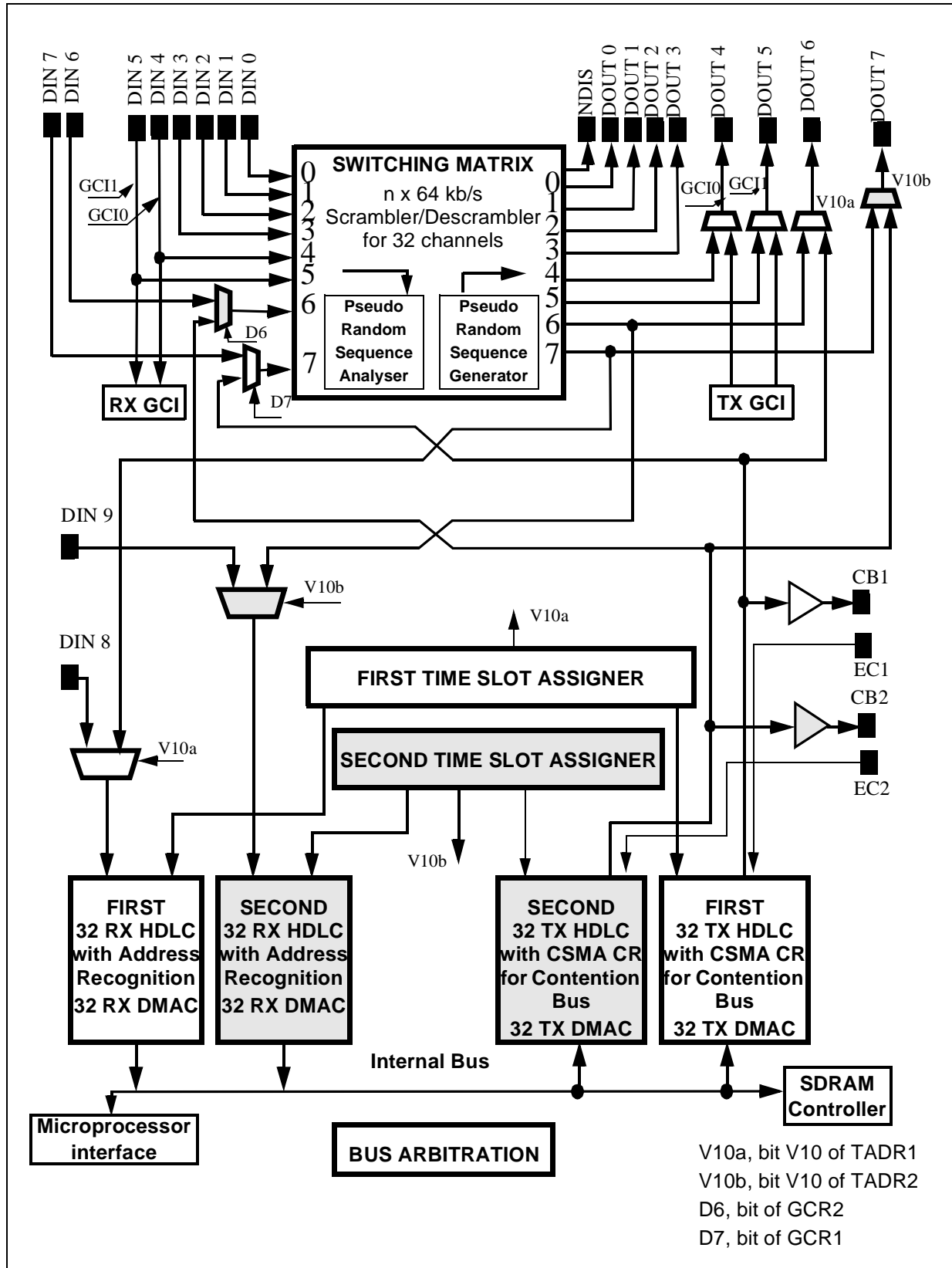
III.1.3 - Connection Function

Two types of connections are offered:

- unidirectional connection and
- bidirectional connection.

An unidirectional connection makes only the switch of an input time slot through an output one whereas a bidirectional connection establishes the link in the other direction too. So a double connection can be achieved by a single command (see Figure).

Figure 1 : BLOCK DIAGRAM



III.1.4 - Loop Back Function

Any time slot of an Output TDM can be internally looped back on the time slot which has the same TDM number and the same TS number

$$(OTDM_i, TS_j) \rightarrow (ITDM_i, TS_j).$$

In the case of a bidirectional connection, only the one specified by the microprocessor is concerned by the loop back (see Figure).

III.1.5 - Delay through the Matrix

III.1.5.1 - Variable Delay Mode

In the variable delay mode, the delay through the matrix depends on the relative positions of the input and output time slots in the frame.

So, some limits are fixed:

- the maximum delay is a frame + 2 time slots,
 - the minimum delay is programmable.
- Three time slots if $IMTD = 1$, in this case $n = 2$ in the formula hereafter or
two time slots if $IMTD = 0$, in this case $n = 1$ in the same formula (see Paragraph "Switching Matrix Configuration Register SMCR (OC)_H").

All the possibilities can be ranked in three cases:

- a) If $OTS_y > ITS_x + n$ then the variable delay is:
 $OTS_y - ITS_x$ Time slots
- b) If $ITS_x < OTS_y < ITS_x + n$ then the variable delay is:
 $OTS_y - ITS_x + 32$ Time slots
- c) $OTS_y < ITS_x$ then the variable delay is:
 $32 - (ITS_x - OTS_y)$ Time slots.

N.B. Rule b) and rule c) are identical.

For $n = 1$ and $n = 2$, (see Figure).

III.1.5.2 - Sequence Integrity Mode

In the sequence integrity mode ($SI = 1$, bit located in the Connection Memory), the input time slots are put out 2 frames later (see Figure). In this case, the delay is defined by a single expression:

$$\text{Constant Delay} = (32 - ITS_x) + 32 + OTS_y$$

So, the delay in sequence integrity mode varies from 33 to 95 time slots.

III.1.6 - Connection Memory

III.1.6.1 - Description

The connection memory is composed of 256 locations addressed by the number of OTDM and TS (8x32).

Each location permits:

- to connect each input time slot to one output time slot (If two or more output time slots are connected to the same input time slot number, there is broadcasting).

- to select the variable delay mode or the sequence integrity mode for any time slot.
- to loop back an output time slot. In this case the contents of an input time slot (ITS_x , $ITDM_p$) is the same as the output time slot (OTS_x , $OTDM_p$).
- to output the contents of the corresponding connection memory instead of the data which has been stored in data memory.
- to output the sequence of the pseudo random sequence generator on an output time slot: a pseudo random sequence can be inserted in one or several time slots (hyperchannel) of the same Output TDM; this insertion must be enabled by the microprocessor in the configuration register of the matrix.
- to define the source of a sequence by the pseudo random sequence analyser: a pseudo random sequence can be extracted from one or several time slots (hyperchannel) of the same Input TDM and routed to the analyser; this extraction can be enabled by the microprocessor in the configuration register of the matrix (SMCR).
- to assert a high impedance level on an output time slot (disconnection).
- to deliver a programmable 256-bit sequence during 125 microseconds on the Programmable synchronization Signal pin (PSS).

III.1.6.2 - Access to Connection Memory

Supposing that the Switching Matrix Configuration Register (SMCR) has been already written by the microprocessor, it is possible to access to the connection memory from microprocessor with the help of two registers:

- Connection Memory Data Register (CMDR) and
- Connection Memory Address Register (CMAR).

III.1.6.3 - Access to Data Memory

To extract the contents of the data memory it is possible to read the data memory from microprocessor with the help of the two registers:

- Connection Memory Data Register (CMDR) and
- Connection Memory Address Register (CMAR).

III.1.7 - Switching at 32 Kbit/s

Four TDMs can be programmed individually to carry 64 channels at 32 Kbit/s (only if these TDMs are at 2 Mbit/s).

Two bits (SW0/1) located in SMCR define the type of channels of two couples of TDMs.

SW0 defines TDM0 and TDM4 (GCI0) and SW1 defines TDM1 and TDM5 (GCI1).

If TDM0 or/and TDM1 carry 64 channels at 32

Kbit/s then TDM2 or/and TDM3 are not available externally they are used internally to perform the function.

See figure: Downstream switching at 32 kb/s.

See figure: Upstream switching at 32 kb/s.

III.1.8 - Switching at 16 Kbit/s

The TDM4 and TDM5 can be GCI multiplexes. Each GCI multiplex comprises 8 GCI channels. Each GCI channel comprises one D channel at 16 Kbit/s. See figure: GCI channel definition, GCI Synchro signal delivered by the Multi-HDLC

It is possible to switch the contents of 16 D channels from the 16 GCI channels to 4 timeslots of the 256 output timeslots.

In the other direction the contents of an selected timeslot is automatically switched to 4 D channels at 16 Kbit/s.

See Connection Memory Data Register CMDR (0E)H.

III.2 - HDLC CONTROLLER

III.2.1 - Function description

Two independent HDLC controllers allow to process 64 channels.

Each internal HDLC controller can run up to 32 channels in a conventional HDLC mode or in a transparent (non-HDLC) mode (configurable per channel).

Each channel bit rate is programmable from 4kbit/s to 64kbit/s. All the configurations are also possible from 32 channels (from 4 to 64 kbit/s) to one channel at 2 Mbit/s.

– First HDLC controller

In reception for the first HDLC controller, the contents of each time slot can directly come from the input TDM DIN8 (direct HDLC Input) or from any other TDM input after switching towards the output 7 of the matrix (configurable per time slot).

In transmission, the HDLC frames are sent on the output DOUT6 and on the output CB1 (with or without contention mechanism), or are switched towards the other TDM output via the input 7 of the matrix.

– Second HDLC controller

In reception for the second HDLC controller, the contents of each time slot can directly come from the input TDM DIN9 (direct HDLC Input) or from any other TDM input after switching towards the output 6 of the matrix (configurable per time slot). In transmission, the HDLC frames are sent on the output DOUT7 and on the output CB2 (with or without contention mechanism), or are switched

towards the other TDM output via the input 6 of the matrix.

III.2.1.1 - Format of the HDLC Frame

The format of an HDLC frame is the same in receive and transmit direction and shown here after.

III.2.1.2 - Composition of an HDLC Frame

Opening Flag
Address Field (first byte)
Address Field (second byte)
Command Field (first byte)
Command Field (second byte)
Data (first byte)
Data (optional)
Data (last byte)
FCS (first byte)
FCS (second byte)
Closing Flag

- Opening Flag
- One or two bytes for address recognition (reception) and insertion (transmission)
- Data bytes with bit stuffing
- Frame Check Sequence: CRC with polynomial $G(x) = x^{16} + x^{12} + x^5 + 1$
- Closing Flag.

III.2.1.3 - Description and Functions of the HDLC Bytes

– FLAG

The binary sequence 01111110 marks the beginning and the end of the HDLC Frame.

Note: In reception, three possible flag configuration are allowed and correctly detected:

- two normal consecutive flags:
...01111110 01111110...
- two consecutive flags with a "0" common:
...011111101111110...
- a global common flag:...01111110...
this flag is the closing flag for the current frame and the opening flag for the next frame

– ABORT

The binary sequence 1111111 marks an Abort command.

In reception, seven consecutive 1's, inside a message, are detected as an abort command and generates an interrupt to the host.

In transmit direction, an abort is sent upon command of the micro-processor. No ending flag is expected after the abort command.



– BIT STUFFING AND UNSTUFFING

This operation is done to avoid the confusion of a data byte with a flag.

In transmission, if five consecutive 1's appear in the serial stream being transmitted, a zero is automatically inserted (bit stuffing) after the fifth "1".

In reception, if five consecutive "1" followed by a zero are received, the "0" is assumed to have been inserted and is automatically deleted (bit unstuffing).

– FRAME CHECK SEQUENCE

The Frame Check Sequence is calculated according to the recommendation Q921 of the CCITT.

– ADDRESS RECOGNITION

In the frame, one or two bytes are transmitted to indicate the destination of the message. Two types of addresses are possible:

- a specific destination address
- a broadcast address.

In reception, the controller compares the receive addresses to internal registers, which contain the address message. 4 bits in the receive command register (HRCR) inform the receiver of which registers, it has to take into account for the comparison. The receiver compares the two address bytes of the message to the specific board address and the broadcast address. Upon an address match, the address and the data following are written to the data buffers; upon an address mismatch, the frame is ignored. So, it authorizes the filtering of the messages. If no comparison is specified, each frame is received whatever its address field.

In Transmission, the controller sends the frame including the destination or broadcast addresses.

III.2.2 - CSMA/CR Capability

An HDLC channel can come in and go out by any TDM input on the matrix.

For time constraints, direct HDLC Access is achieved by the input TDM (DIN 8 for the first HDLC controller and DIN9 for the second HDLC controller) and the output TDM (DOU6 for the first and DOU7 for the second HDLC controller). In transmission, a time slot of a TDM can be shared between different sources in Multi-point to point configuration (different subscriber's boards for example). The arbitration system is the CSMA/CR (Carrier Sense Multiple access with Contention Resolution).

The contention is resolved by a bus connected to the CB1 pin (Contention Bus) for the first HDLC controller and CB2 pin for the second HDLC con-

troller. These two bus are respectively a 2Mbit/s wire line common to all the potential sources.

If the first HDLC controller (or the second) has obtained the access to the bus, the data to transmit is sent simultaneously on the CB1 line (or the CB2 line) and the output TDM. The result of the contention is read back on the Echo line (EC1 or EC2). If a collision is detected, the transmission is stopped immediately. A contention on a bit basis is so achieved. Each message to be sent with CSMA/CR has a priority class (PRI = 8, 10) indicated by the Transmit Descriptor and some rules are implemented to arbitrate the access to the line. The CSMA/CR Algorithm is given. When a request to send a message occurs, the transmitter determines if the shared channel is free. The *Multi-HDLC* listens to the Echo line. If C or more consecutive "1" are detected (C depending on the message's priority), the *Multi-HDLC* begins to send its message. Each bit sent is sampled back and compared with the original value to send. If a bit is different, the transmission is instantaneously stopped (before the end of this bit time) and will restart as soon as the *Multi-HDLC* will detect that the channel is free without interrupting the microprocessor.

After a successful transmission of a message, a programmable penalty PEN(1 or 2) is applied to the transmitter. It guarantees that the same transmitter will not take the bus another time before a transmitter which has to send a message of same priority.

In case of a collision, the frame which has been aborted is automatically retransmitted by the DMA controller without warning the microprocessor of this collision. The frame can be located in several buffers in external memory. The collision can be detected from the second bit of the opening frame to the last but one bit of the closing frame.

III.2.3 - Time Slot Assigner Memory

Each HDLC channel is bidirectional and is defined by two Time Slot Assigners (TSA).

TSA is a memory of 32 words (one per physical Time Slot) where all of the 32 input and output time slots of the HDLC controllers can be associated to logical HDLC channels. Super channels are created by assigning the same logical channel number to several physical time slots.

The following features are programmed for each HDLC time slot:

- Time slot used or not
- One logical channel number
- Its source:
 - DIN 8 or the output 7 of the matrix for the first Time Slot Assigner

- DIN 9 or the output 6 of the matrix for the second Time Slot Assigner.
- Its bit rate and concerned bits (4kbit/s to 64kbit/s). 4kbit/s correspond to one bit transmitted each two frames. This bit is repeated twice in transmission. This bit must be present in two consecutive frames in reception.
- Its destination for the first Time Slot Assigner:
 - direct output on DOUT6
 - direct output on DOUT6 and on the Contention Bus (CB1)
 - on another OTDM via input 7 of the matrix and on the Contention Bus (CB1)
- Its destination for the second Time Slot Assigner:
 - direct output on DOUT7
 - direct output on DOUT7 and on the Contention Bus (CB2)
 - on another OTDM via input 6 of the matrix and on the Contention Bus (CB2)

III.2.4 - Data Storage Structure

Data associated with each Rx and Tx HDLC channel is stored in external memory; The data transfers between the HDLC controllers and memory are ensured by 2*32 DMAC (Direct Memory Access Controller) in reception and 2*32 DMAC in transmission.

The storage structure chosen in both directions is composed of one circular queue of buffers per channel. In such a queue, each data buffer is pointed to by a Descriptor located in external memory too. The main information contained in the Descriptor is the address of the Data Buffer, its length and the address of the next Descriptor; so the descriptors can be linked together.

This structure allows to:

- Store receive frames of variable and unknown length
- Read transmit frames stored in external memory by the host
- Easily perform the frame relay function.

III.2.4.1 - Reception

At the initialization of the application, the host has to prepare two Initialization Block registers. Each Initialization Block located in shared memory contains the first receive buffer descriptor address for each channel, and the receive circular queues. At the opening of a receive channel, the DMA controller reads the address of the first buffer descriptor corresponding to this channel in the initialization Block. Then, the data transfer can occur without intervention of the processor.

A new HDLC frame always begins in a new buffer. A long frame can be split between several buffers if the buffer size is not sufficient. All the information concerning the frame and its location in the circular queue is included in the Receive Buffer Descriptor:

- The Receive Buffer Address (RBA),
- The size of the receive buffer (SOB),
- The number of bytes written into the buffer (NBR),
- The Next Receive Descriptor Address (NRDA),
- The status concerning the receive frame,
- The control of the queue.

III.2.4.2 - Transmission

In transmission, the data is managed by a similar structure as in reception

By the same way, a frame can be split up between consecutive transmit buffers.

The main information contained in the Transmit Descriptor are:

- transmit buffer address (TBA),
- number of bytes to transmit (NBT) concerning the buffer,
- next transmit descriptor address (NTDA),
- status of the frame after transmission,
- control bit of the queue,
- CSMA/CR priority (8 or 10).

III.2.4.3 - Frame Relay

The principle of the frame relay is to transmit a frame which has been received without treatment. A new heading is just added. This will be easily achieved, taking into account that the queue structure allows the transmission of a frame split between several buffers.

III.2.5 - Transparent Modes

In the transparent mode, the *Multi-HDLC* transmits data in a completely transparent manner without performing any bit manipulation or Flag insertion. The transparent mode is per byte function; the channel used for this mode is n*64kb/s mandatorily.

Two transparent modes are offered:

- First mode: for the receive channels, the *Multi-HDLC* continuously writes received bytes (from the received timeslot) into the external memory as specified in the current receive descriptor without taking into account the Fill Character Register.
- Second mode: the Fill Character Register specifies the "fill character" which must be taken into account. In reception, the "fill character" is de-

ected in each timeslot and will not be transferred to the external memory. The detection of “Fill character” marks the end of a message and generates an interrupt if BINT=1). When the “Fill character” is not detected a new message is receiving.

As for the HDLC mode the correspondence between the physical time slot and the logical channel is fully defined in the two Time Slot Assigners (Time slot used or not used, logical channel number, source, destination).

III.2.6 - Command of the HDLC Channels

The microprocessor is able to control each HDLC receive and transmit channel. Some of the commands are specific to the transmission or the reception but others are identical.

III.2.6.1 - Reception Control

– The configuration of the controller operating mode is: HDLC mode or Transparent mode.

– The control of the controller: START, HALT, CONTINUE, ABORT.

START: On a start command, the RxDMA controller reads the address of the first descriptor in the initialization block memory and is ready to receive a frame.

HALT: For overloading reasons, the microprocessor can decide to halt the reception. The DMA controller finishes transfer of the current frame to external memory and stops. The channel can be restarted on CONTINUE command.

CONTINUE: The reception restarts in the next descriptor.

ABORT: On an abort command, the reception is instantaneously stopped. The channel can be restarted on a START or CONTINUE command.

– Reception of FLAG (01111110) or IDLE (11111111) between Frames.

– Address recognition. The microprocessor defines the addresses that the Rx controller has to take into account.

– In transparent mode: “fill character” register is selected or not.

III.2.6.2 - Transmission Control

– The configuration of the controller operating mode is: HDLC mode or Transparent mode.

– The control of the controller: START, HALT, CONTINUE, ABORT.

START: On a start command, the Tx DMA controller reads the address of the first descriptor in the initialization block memory and tries to transmit the first frame if End Of Queue is not at “1”. HALT: The transmitter finishes to send the current frame and stops. The channel can be restarted on a CONTINUE command.

CONTINUE: if the CONTINUE command occurs after HALT command, the HDLC Transmitter restarts by transmitting the next buffer associated to the next descriptor.

If the CONTINUE command occurs after an ABORT command which has occurred during a frame, the HDLC transmitter restarts by transmitting the frame which has been effectively aborted by the microprocessor.

ABORT: On an abort command, the transmission of the current frame is instantaneously stopped, an ABORT sequence “1111111” is sent, followed by IDLE or FLAG bytes. The channel can be restarted on a START or CONTINUE command.

– Transmission of FLAG (01111110) or IDLE (11111111) between frames can be selected.

– CRC can be generated or not. If the CRC is not generated by the HDLC Controller, it must be located in the shared memory.

– In transparent mode: “fill character” register can be selected or not.

III.3 - C/I and Monitor

III.3.1 - Function Description

The *Multi-HDLC* is able to operate both GCI and V* links. The TDM DIN/DOUT 4 and 5 are internally connected to the CI and Monitor receivers/transmitters. Since the controllers handle up to 16CI and 16 Monitor channels simultaneously, the *Multi-HDLC* can manage up to 16 level 1 circuits.

The *Multi-HDLC* can be used to support the CI and monitor channels based on the following protocols:

- ISDN V* protocol
- ISDN GCI protocol
- Analog GCI protocol.

III.3.2 - GCI and V* Protocol

A TDM can carry 8 GCI channels or V* channels. The monitor and S/C bytes always stand at the same position in the TDM in both cases.

CGI Channel 0				CGI Channel 1 to Channel 6	CGI Channel 7			
TS0	TS1	TS2	TS3		TS28	TS29	TS30	TS31
B1	B2	MON	S/C		B1	B2	MON	S/C

The GCI or V* channels are composed of 4 bytes and have both the same general structure.

B1	B2	MON	S/C
----	----	-----	-----

- B1, B2 : Bytes of data. Those bytes are not affected by the monitor and CI protocols.
- MON : Monitor channel for operation and maintenance information.
- S/C : Signalling and control information.

Only Monitor handshakes and S/C bytes are different in the three protocols:

ISDN V* S/C byte

D 2 bits	C/I 4 bits	T	E
----------	------------	---	---

ISDN GCI S/C byte

D 2 bits	C/I 4 bits	A	E
----------	------------	---	---

Analog GCI S/C byte

C/I 6 bits	A	E
------------	---	---

- CI : The Command/Indicate channel is used for activation/deactivation of lines and control functions.
- D : These 2 bits carry the 16 kbit/s ISDN basic access D channel.

In GCI protocol, A and E are the handshake bits and are used to control the transfer of information on monitor channels. The E bit indicates the transfer of each new byte in one direction and the A bit acknowledges this byte transfer in the reverse direction.

In V* protocol, there isn't any handshake mode. The transmitter has only to mark the validity of the Monitor byte by positioning the E bit (T is not used and is forced to "1").

For more information about the GCI and V*, refer to the General Interface Circuit Specification (issue 1.0, march 1989) and the France Telecom Specification about ISDN Basic Access second generation (November 1990).

III.3.3 - Structure of the Treatment

In reception GCI/V* TDM's are connected to DIN 4 and DIN 5. The D channels are switched through the matrix towards the output 7 and output 6 then towards the HDLC receivers. The Monitor and S/C bytes are multiplexed and sent to the CI and Monitor receivers.

In transmission, the S/C and Monitor bytes are recombined by multiplexing the information provided by the Monitor, C/I and the HDLC Transmitter. Like in reception, the D channel is switched through the matrix (input 7 towards DOUT 4 and DOUT 5).

III.3.4 - CI and Monitor Channel Configuration

Monitor channel data is located in a time slot; the CI and monitor handshake bits are in the next time slot.

Each channel can be defined independently. A table with all the possible configurations is presented hereafter (Table 13).

Table 13: C/I and MON Channel Configuration

C/I validated or not	CI For analog subscriber (6 bits)
	CI For ISDN subscriber (4 bits)
Monitor validated or not	Monitor V*
	Monitor GCI

Note: A mix of V* and GCI monitoring can be performed for two distinct channels in the same application.

III.3.5 - CI and Monitor Transmission/Reception Command

The reception of C/I and Monitor messages are managed by two interrupt queues.

In transmission, a transmit command register is implemented for each C/I and monitor channel (16 C/I transmit command registers and 16 Monitor transmit command registers). Those registers are accessible in read and write modes by the microprocessor.

III.4 - Scrambler and Descrambler

The TDM4 and TDM5 can be GCI multiplexes. Each GCI multiplex comprises 8 GCI channels. Each GCI channel comprises two B channels at 64 Kbit/s.

In reception it is possible to switch and to scramble the contents of 32 B channels of GCI channels to 32 timeslots of the 256 output timeslots. In transmission these 32 timeslots are assigned to 32 B channels.

In the other direction the contents of an selected B channels is automatically switched and descrambled to one B channel of 16 GCI channel.

See SCR bit of Connection Memory Data Register CMDR (0E)H.

III.5 - Connection between "ISDN channels" and GCI channels.

Three timeslots are assigned to one "ISDN channels". Each "ISDN channels" comprises three channels: B1+B2+B* with B*= D1,D2, A, E, S1, S2, S3, S4 (See figure).

- Upstream. From GCI channels to ISDN channels.
- in reception: 16 GCI channels (B1+B2+MON+D+C/I),

- in transmission: 16 ISDN channels (B1+B2+B*).
- It is possible to switch the contents of B1, B2 and D channels from 16 GCI channels in any 16 "ISDN channels", TDM side.

The contents of B1 and/or B2 can be scrambled or not. If scrambled the number of the 32 timeslots (TDM side) are different mandatory.

Receiving the contents of Monitor and Command / Indicate channels from 16 GCI channels. Primitives and messages are stored automatically in the external shared memory.

Transmitting "six bit word" (A, E, S1, S2, S3, S4) to any 16 "ISDN channels" TDM side or not. See SBV bit of General Configuration Register GCR (02)H.

– Downstream. From ISDN channels to GCI channels.

- in reception: ISDN channel (B1+B2+B*)
- in transmission: GCI channel (B1+B2+MON+D+C/I)

It is possible to switch the contents of B1, B2 and D channels from 16 "ISDN channels", TDM side in 16 GCI channels.

The contents of B1 and/or B2 can be descrambled or not. If descrambled the 32 B1/B2 belong to GCI channels mandatory.

Receiving six bit word (A, E, S1, S2, S3, S4) from any 16 "ISDN channels", TDM side. The 16 "six bit word" are stored automatically in the external shared memory.

Transmitting the contents of Monitor and Command / Indicate channels to 16 GCI channels. See SBV bit of General Configuration Register GCR (02)H.

– Alarm Indication Signal.

This detection concerns 16 hyperchannels. One hyperchannel comprises 16 bits (B1 and B2 only). The Alarm Indications for the 16 hyperchannels are stored automatically in the external shared memory. See AISD bit of Switching Matrix Configuration Register SMCR (0C)H.

III.6 - Microprocessor Interface

III.6.1 - Description

The *Multi-HDLC* circuit can be controlled by several types of microprocessors (ST9/10, Intel/Motorola 8 or 16 data bits interfaces) such as:

- ST9/10 family
- INTEL 80C188 8 bits
- INTEL 80C186 16 bits
- INTEL 386EX 16 bits
- MOTOROLA 68000 16 bits
- MOTOROLA 68020 32 bits

Table 14: Microprocessor Interface Selection

MOD2 Pin	MOD1 Pin	MOD0 Pin	Microprocessor
0	1	1	80C188
1	1	1	80C186
1	0	0	68000
0	0	0	68020
0	0	1	ST9
1	0	1	ST10 A/D multiplexed
1	1	0	ST10 A/D Not multiplexed
0	1	0	386EX

During the initialization of the *Multi-HDLC* circuit, the microprocessor interface is informed of the type of microprocessor that is connected by polarisation of three external pins MOD 0/2.

Three chip Select (CS0/2) pins are provided. CS0 will select the internal registers and CS1 the external memory. CS2 can be used to select the external memory in INTEL 386EX application only (see pin 41 definition).

III.6.2 - Buffer

A Buffer is located in the microprocessor interface. It is used whatever microprocessor selected thanks to MOD0/2 pins. It allows to reduce the shared memory access cycles for the microprocessor.

This Buffer consists of one Write FIFO and one Read Fetch Memory (see Figure).

III.6.2.1 - Write FIFO

When the microprocessor delivers the address word named Ax to write data named [Ax] in the shared memory in fact it writes data [Ax] and address word Ax in the Write FIFO (8 words). If Ax is in Fetch Memory, [Ax] is removed in Fetch Memory.

There is no wait time for the microprocessor if the Write FIFO is not full entirely.

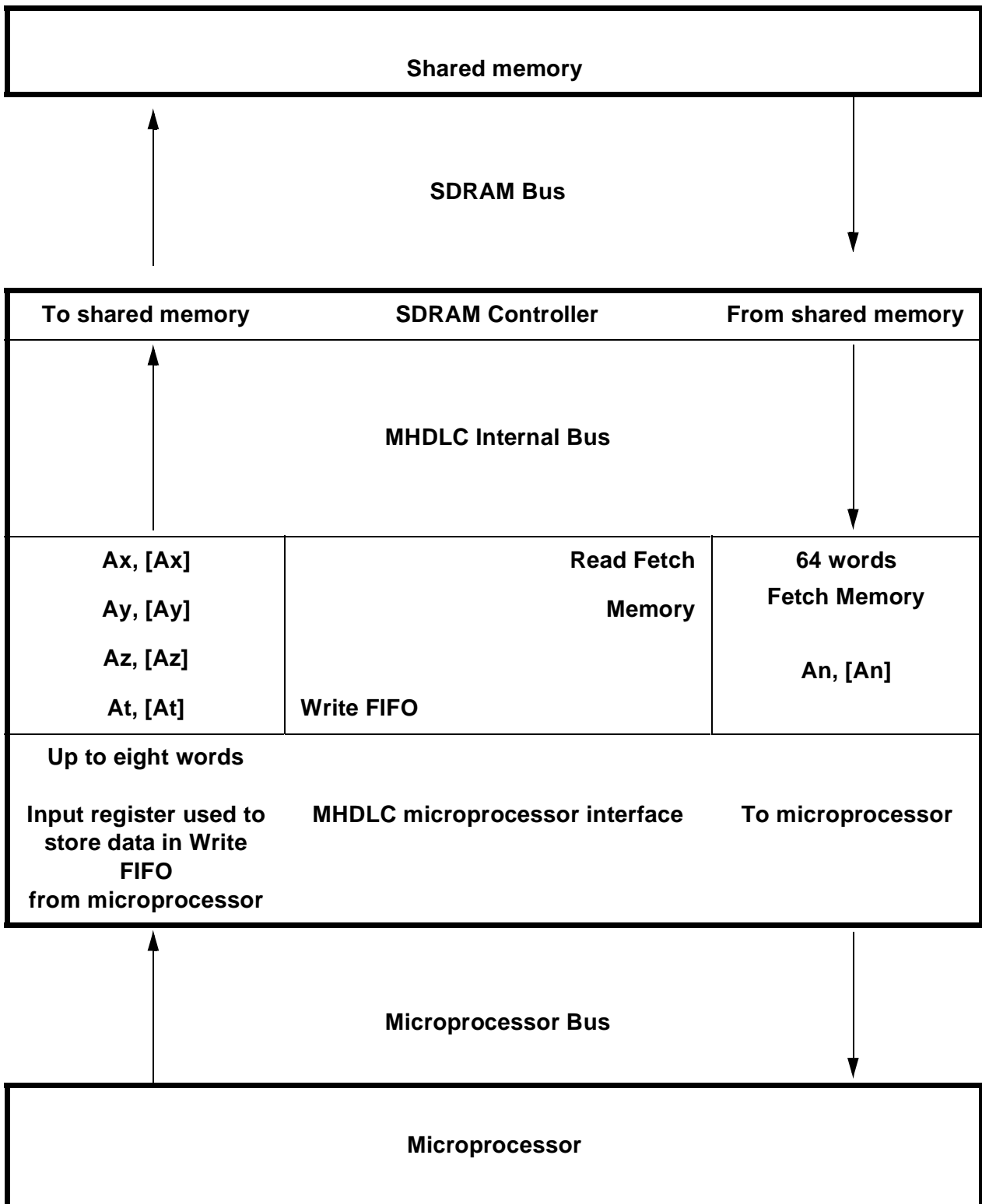


Figure 2 : Exchange between Microprocessor and Shared memory across MHDLC

III.6.2.2 - Read Fetch Memory

When the microprocessor delivers the address word named An to read data named [An] out of the shared memory in fact it reads data [An] from the Read Fetch Memory (64 words).

The number of wait cycle for the microprocessor is strongly reduced. If An, address word delivered by the microprocessor, and data [An] are already in the Read Fetch Memory and validated then there is no wait time for the microprocessor.

The source of [An] is truly the shared memory whatever An.

Data [An] if validated in Fetch Memory and Data [An] in shared memory are always the same.

III.6.2.3 - Definition of the Interface for the different microprocessors

The signals connected to the microprocessor interface are presented on the following figures for the different microprocessor (see Figures).

III.7 - Memory Interface

III.7.1 - Function Description

The memory interface allows the connection of Synchronous Dynamic RAM. The memory interface will address up to 16 Megabytes. The memory location is always organized in 16 bits.

The memory is shared between the *Multi-HDLC* and the microprocessor. The access to the memory is arbitrated by an internal function of the circuit: the bus arbitration.

III.7.2 - Choice of memory versus microprocessor and capacity required

The memory interface depends on the memory chips which are connected. The memory chips will be chosen versus their organization.

Example1: if the application requires 8 or 16 bit μ Processor and 1 Megaword Shared memory size, one capability is offered:

- 1 SDRAM Circuit (1Mx16).

Example2: if the application requires 16 bit μ Processor and 4 Megaword Shared memory size, three capabilities are offered:

- 4 SDRAM Circuits (1Mx16) or
- 4 SDRAM Circuits (4Mx4) or
- 1 SDRAM Circuit (4Mx16).

Example3: if the application requires 8 Megaword Shared memory size three capabilities are offered:

- 8 SDRAM Circuits (4Mx4) or
- 2 SDRAM Circuits (4Mx16) or
- 2 SDRAM Circuit (8Mx8).

III.7.3 - Memory Cycle

Some parameters are frozen:

- Burst Read and Single Write.
- The Burst Length is 4.
- The burst data is addressed in sequential mode.

The programmable parameters are:

- Latency Mode
- selected circuit organisation
- the exchanges between Multi-HDLC and SDRAM are at the Master Clock frequency (33MHz, 50MHz, 66MHz)

III.7.4 - Memories composed of different circuits

III.7.4.1 - Memory obtained with 1M x16 SDRAM circuit

Signals	A22	A21	Signals	A0 or equivalent
NCE3	1	1		
NCE2	1	0		
NCE1	0	1	UDQM	1
NCE0	0	0	LDQM	0

The Address bits delivered by the Multi-HDLC for 1M x 16 SDRAM circuits are:

- ADM11 for Bank select corresponding with A20 delivered by the microprocessor
- ADM0/10 for Row address inputs corresponding with A9/19 delivered by the microprocessor
- ADM0/7 for Column address inputs corresponding with A1/8 delivered by the microprocessor

III.7.4.2 - Memory obtained with 2M x 8 SDRAM circuit

Signals	A0 or equivalent	NLDS	NUDS
UDQM	1	0	1
LDQM	0	1	0

The Address bits delivered by the Multi-HDLC for 2M x 8 SDRAM circuits are:

- ADM11 for Bank select corresponding with A21 delivered by the microprocessor
- ADM0/10 for Row address inputs corresponding with A10/20 delivered by the microprocessor
- ADM0/8 for Column address inputs corresponding with A1/9 delivered by the microprocessor

III.7.4.3 - Memory obtained with 8M x 8 SDRAM circuit

Signals	A0 or equivalent	NLDS	NUDS
UDQM	1	0	1
LDQM	0	1	0

The Address bits delivered by the Multi-HDLC for 8M x 8 SDRAM microprocessor circuits are:

- ADM12/13 for Bank select corresponding with A22/23 delivered by the microprocessor
- ADM0/11 for Row address inputs corresponding with A10/21 delivered by the microprocessor
- ADM0/8 for Column address inputs corresponding with A1/9 delivered by the microprocessor

III.7.4.4 - Memory obtained with 4M x 16 SDRAM circuit

Signals	A23	Signals	A0 or equivalent	NLDS	NUDS
NCE1	1	UDQM	1	0	1
NCE0	0	LDQM	0	1	0

The Address bits delivered by the Multi-HDLC for 4M x 16 SDRAM circuits are:

- ADM12/13 for Bank select corresponding with A21/22 delivered by the microprocessor
- ADM0/11 for Row address inputs corresponding with A9/20 delivered by the microprocessor
- ADM0/7 for Column address inputs corresponding with A1/8 delivered by the microprocessor

III.8 - Bus Arbitration

The Bus arbitration function arbitrates the access to the bus between different entities of the circuit. Those entities which can call for the bus are the following:

- The receive DMA controller,
- The microprocessor,
- The transmit DMA controller,
- The Interrupt controller,
- The memory interface for refreshing the SDRAM.

This list gives the memory access priorities per default.

If the treatment of more than 64 HDLC channels is required by the application, it is possible to chain several *Multi-HDLC* components. That is done with two external pins (TRI, TRO) and a token ring system.

The TRI, TRO signals are managed by the bus arbitration function too. When a chip has finished its tasks, it sends a pulse of 30 ns to the next chip.

III.9 - Clocks

III.9.1 - Clock Distribution Selection and Supervision

Two clock distributions are available:

Clock at 4.096 MHz or 8.192 MHz and a synchronization signal at 8 KHz.

The component has to select one of these two distributions and to check its integrity.

Two other clock distributions are allowed: Clock at 3072 MHz or 6144 MHz and a synchronization signal at 8 KHz.

See General Configuration Register GCR (02)_H.

DCLK, FSC GCI and FSC V* are output on three external pins of the Multi-HDLC. DCLK is the clock selected between Clock A and Clock B. FSC, GCI and FSC V* are functions of the selected distribution and respect the GCI and V* frame synchronization specifications.

The supervision of the clock distribution consists of verifying its availability. The detection of the clock absence is done in a less than 250 microseconds. In case the clock is absent, an interrupt is generated with a 4 kHz recurrence. Then the clock distribution is switched automatically up to detection of couple A or couple B. When a couple is detected the change of clock occurs on a falling edge of the new selected distribution. Moreover the clock distribution can be controlled by the microprocessor thanks to SELB, bit of General Configuration Register.

Depending on the applications, three different signals of synchronization (GCI, V* or Sy) can be provided to the component. The clock A/B frequency can be a 4096 or 8192 kHz clock. The component is informed of the synchronization and clocks that are connected by software.

III.9.2 - VCXO Frequency Synchronization

An external VCXO can be used to provide a clock to the transmission components. This clock is controlled by the main clock distribution (Clock A or Clock B at 4096kHz). As the clock of the transmission component is 15360 or 16384kHz, a configurable function is necessary.

The VCXO frequency is divided by P (30 or 32) to provide a common sub-multiple (512kHz) of the reference frequency CLOCKA or CLOCKB (4096kHz). The comparison of these two signals gives an error signal which commands the VCXO. Two external pins are needed to perform this function: VCXO-IN and VCXO-OUT.

III.10 - Interrupt Controller

III.10.1 - Description

Three external pins are used to manage the interrupts generated by the *Multi-HDLC*. The interrupts have three main sources:

- The operating interrupts generated by the HDLC receivers/transmitters, the CI receivers and the monitor transmitters/receivers. INT0 Pin is reserved for this use.
- The interrupt generated by an abnormal working of the clock distribution. INT1 Pin is reserved for this use.
- The non-activity of the microprocessor (Watchdog). WDO Pin is reserved for this use.

III.10.2 - Operating Interrupts (INT0 Pin)

There are five main sources of operating interrupts in the *Multi-HDLC* circuit:

- The HDLC receiver,
- The HDLC transmitter,
- The CI receiver,
- The Monitor receiver,
- The Monitor transmitter.

When an interrupt is generated by one of these functions, the interrupt controller:

- Collects all the information about the reasons of this interrupt
- Stores them in external memory.
- Informs the microprocessor by positioning the INT0 pin in the high level.

Three interrupt queues are built in external memory to store the information about the interrupts:

- A single queue for the HDLC receivers and transmitter
- One for the CI receivers
- One for the monitor receiver

The microprocessor takes the interrupts into account by reading the Interrupt Register (IR) of the interrupt controller.

This register informs the microprocessor of the interrupt source. The microprocessor will have information about the interrupt source by reading the corresponding interrupt queue (see Paragraph "Interrupt Register IR(38)_H" on Page 74).

On an overflow of the circular interrupt queues and an overrun or underrun of the different FIFO, the INT0Pin is activated and the origin of the interrupt is stored in the Interrupt Register.

A 16 bits register is associated with the Tx Monitor interrupt. It informs the microprocessor of which transmitter has generated the interrupt (see Paragraph "Transmit Monitor Interrupt Register TMIR(30)_H" on Page 71).

III.10.3 - Time Base Interrupts (INT1 Pin)

The Time base interrupt is generated when an absence or an abnormal working of clock distribution is detected. The INT1 Pin is activated.

III.10.4 - Emergency Interrupts (WDO Pin)

The WDO signal is activated by an overflow of the watchdog register.

III.10.5 - Interrupt Queues

There are three different interrupt queues:

- Tx and Rx HDLC interrupt queue
- Rx C/I interrupt queue
- Rx Monitor interrupt queue.

Their length can be defined by software.

For debugging function, each interrupt word of the CI interrupt queue and monitor interrupt queue can be followed by a time stamped word. It is composed of a counter which runs in the range of 250µs. The counter is the same as the watchdog counter. Consequently, the watchdog function isn't available at the same time.

III.11 - Watchdog

This function is used to control the activity of the application. It is composed of a counter which counts down from an initial value loaded in the Timer register by the microprocessor.

If the microprocessor doesn't reset this counter before it is totally decremented, the external Pin WDO is activated; this signal can be used to reset the microprocessor and all the application.

The initial time value of the counter is programmable from 0 to 15s in increments of 0.25ms.

At the reset of the component, the counter is automatically initialized by the value corresponding to 512ms which are indicated in the Timer register. The microprocessor must put WDR (IDCR Register) to "1" to reset this counter and to confirm that the application started correctly.

In the reverse case, the WDO signal could be used to reset the board a second time.

III.12 - Reset

There are two possibilities to reset the circuit:

- by software,
- by hardware.

Each programmable register receives its default value. After that, the default value of each data register is stored in the associated memory except for Time slot Assigner memory.

III.13 - BOUNDARY SCAN

The Multi-HDLC is equipped with an IEEE Standard Test Access Port (IEEE Std 1149.1). The boundary scan technique involves the inclusion of a shift register stage adjacent to each component pin so that signals at component boundaries can

be controlled and observed using scan testing principle. Its intention is to enable the test of on board interconnections and ASIC production tests. The external interface of the Boundary Scan is composed of the signals TDI, TDO, TCK, TMS and TRST as defined in the IEEE Standard.

IV - DC SPECIFICATIONS

Absolute Maximum Ratings

Symbol	Parameter	Value	Unit
V_{DD}	3.3V Power Supply Voltage	-0.5V to 4V	V
	Input or Output Voltage	-0.5 to $V_{DD} + 0.5V$	V
	Input or Output Voltage	-0.5 to +5.5V(see Note 1)	V
T_{stg}	Storage Temperature	-55 to 125 °C	°C

Recommended DC Operating Conditions

Symbol	Parameter	Min.	Typ.	Max.	Unit
V_{DD}	3.3V Power Supply Voltage (see Note2)	3.0	3.3	3.6	V
T_{oper}	Operating Temperature	- 40		85	°C

Note 1: For 5V tolerant inputs and 5V tolerant output buffers in tristate mode

Note 2: All the following specifications are valid only within these recommended operating conditions

TTL Input DC Electrical Characteristics

Symbol	Parameter	Test Conditions	Min.	Typ.	Max.	Unit
V_{IL}	Low Level Input Voltage				0.8	V
V_{IH}	High Level Input Voltage		2.0			V
V_{OL}	Low Level Output Voltage	$I_{OL} = X$ mA (see Note 3)			0.4	V
V_{OH}	High Level Output Voltage	$I_{OH} = -X$ mA (see Note 3)	2.4			V
I_{IL}	Low Level Input Current Without pull-up device	$V_I = 0V$			1	μA
I_{IH}	High Level Input Without pull-up device	$V_I = V_{DD}$			-1	μA
I_{oz}	Tristate output leakage current without pullup/down device	$V_I = V_{DD}$			-1	μA
V_{hyst}	Schmitt Trigger hysteresis		0.4		0.7	V
V_{T+}	Positive Trigger Voltage		0.9		1.35	V
V_{T-}	Negative Trigger Voltage		0.4		0.7	V

Note 3: X is the source /sink current under worst case conditions in accordance with the drive capability: O3 = 3mA, O4 = 4 mA

CMOS Output DC Electrical Characteristics

valid only within these recommended operating conditions

Symbol	Parameter	Test Conditions	Min.	Typ.	Max.	Unit
V_{IL}	Low level input voltage				$0.2V_{DD}$	V
V_{IH}	High level input voltage		$0.8V_{DD}$			V
V_{OL}	Low Level Output Voltage	$I_{ol} = X$ mA (see Note 4)			0.4	V
V_{OH}	High Level Output Voltage	$I_{oh} = X$ mA (see Note 4)	$0.85V_{DD}$			V

Note 4: X is the source/sink current under worst case conditions and is reflected in the name of the I/O cell according to the drive capability. X = 4 or 8mA

pull-up and pull-down characteristics

Symbol	Parameter	Test Conditions	Min.	Typ.	Max.	Unit
I _{pu}	pull-up current	V _i = 0V (Note5)	-25	-66	-125	μA
I _{pd}	pull-down current	V _i = V _{dd} (Note5)	+25	+66	+125	uA
I _{pd}	pull-down current	V _i = 5V (Note5)	+25	+66	+125	uA
R _{pu}	Equivalent pull-up resistance	V _i = 0V		50		KOhm
R _{pd}	Equivalent pull-down resistance	V _i = V _{dd}		50		KOhm
R _{pd}	Equivalent pull-down resistance	V _i = 5V (Note6)		76		KOhm

Note5 Min condition: V_{dd} = 3.0V, 85 degrees C.
Max condition: V_{dd} = 3.6V, -40 degrees C.

Note6 For 5V tolerant buffers

General interface Electrical Characteristics

Symbol	Parameter	Test Conditions	Min.	Typ.	Max.	Unit
P	Power Dissipation	V _{DD} =3.3 Volts; MCLK=66MHz		350	450	mW
C _{in}	Input capacitance	Freq = 1MHz@0V (Note6)		2	4	pF
C _{out}	Output capacitance	(Note7)		4		pF
C _{i/o}	Bidir I/O capacitance	(Note7)	4	8		pF
VESD	Electrostatic Protection	C = 100pF, R = 1.5kΩ	2000			V

Note7 Excluding package (TQFP176, add 1.9pF)

V - List of registers

Internal registers

• Identification and Dynamic Command Register	IDCR	(00)H
• General Configuration Register 1	GCR1	(02)H
• Input Multiplex Configuration Register 0	IMCR0	(04)H
• Input Multiplex Configuration Register 1	IMCR1	(06)H
• Output Multiplex Configuration Register 0	OMCR0	(08)H
• Output Multiplex Configuration Register 1	OMCR1	(0A)H
• Switching Matrix Configuration Register	SMCR	(0C)H
• Connection Memory Data Register	CMDR	(0E)H
• Connection Memory Address Register	CMAR	(10)H
• Sequence Fault Counter Register	SFCR	(12)H
• Time Slot Assigner Address Register 1	TAAR1	(14)H
• Time Slot Assigner Data Register 1	TADR1	(16)H
• HDLC Transmit Command Register 1	HTCR1	(18)H
• HDLC Receive Command Register 1	HRCR1	(1A)H
• Address Field Recognition Address Register 1	AFRAR1	(1C)H
• Address Field Recognition Data Register 1	AFRDR1	(1E)H
• Fill Character Register 1	FCR1	(20)H
• GCI Channels Definition Register 0	GCIR0	(22)H
• GCI Channels Definition Register 1	GCIR1	(24)H
• GCI Channels Definition Register 2	GCIR2	(26)H
• GCI Channels Definition Register 3	GCIR3	(28)H
• Transmit Command / Indicate Register	TCIR	(2A)H
• Transmit Monitor Address Register	TMAR	(2C)H
• Transmit Monitor Data Register	TMDR	(2E)H
• Transmit Monitor Interrupt Register	TMIR	(30)H
• Memory Interface Configuration Register	MICR	(32)H
• Initiate Block Address Register 1	IBAR1	(34)H
• Interrupt Queue Size Register	IQSR	(36)H
• Interrupt Register	IR	(38)H
• Interrupt Mask Register	IMR	(3A)H
• Timer Register 1	TIMR1	(3C)H
• Test Register	TR	(3E)H
• General Configuration Register 2	GCR2	(42)H
• Split Fetch Memory Register	SFMR	(4E)H
• Time Slot Assigner Address Register 2	TAAR2	(54)H
• Time Slot Assigner Data Register 2	TADR2	(56)H
• HDLC Transmit Command Register 2	HTCR2	(58)H
• HDLC Receive Command Register 2	HRCR2	(5A)H
• Address Field Recognition Address Register 2	AFRAR2	(5C)H
• Address Field Recognition Data Register 2	AFRDR2	(5E)H
• Fill Character Register 2	FCR2	(60)H
• SDRAM Mode Register	SDRAMR	(72)H
• Initiate Block Address Register 2	IBAR2	(74)H
• Timer Register 2	TIMR2	(7C)H

External registers

- Initialization Block in External Memory (IBA1 and IBA2)
- Receive Descriptor
- Transmit Descriptor
- Receive & Transmit HDLC Frame Interrupt
- Receive Command / Indicate Interrupt
- Receive Monitor Interrupt

VI - INTERNAL REGISTERS

'Not used' bits (Nu) are accessible by the microprocessor but the use of these bits by software is not recommended.

'Reserved' bits are not implemented in the circuit. However, it is not recommended to use these bits.

VI.1 - Identification and Dynamic Command Register

IDCR (00)H

bit15					bit8					bit7					bit0				
C15	C14	C13	C12	C11	C10	C9	C8	C7	C6	C5	C4	C3	C2	C1	C0				

When this register is read by the microprocessor, the circuit code C0/15 is returned. Reset has no effect on this register.

C0/3 indicates the version.

C4/7 indicates the revision.

C8/11 indicates the foundry.

C12/15 indicates the type.

Example: this code is (0010)_H for the first sample.

When this register is written by the microprocessor then:

bit15					bit8					bit7					bit0				
Nu	Nu	Nu	Nu	Nu	Nu	Nu	Nu	Nu	Nu	Nu	Nu	Nu	Nu	RSS	WDR	TL			

TL : TOKEN LAUNCH

When TL is set to 1 by the microprocessor, the token pulse is launched from the TRO pin (Token Ring Output pin). This pulse is provided to the TRI pin (Token Ring Input pin) of the next circuit in the applications where several *Multi-HDLCs* are connected to the same shared memory.

WDR : WATCHDOG RESET.

When the bit 1 (WDR) of this register is set to 1 by the microprocessor, the watchdog counter is reset.

RSS : RESET SOFTWARE

When the bit 2 (RSS) of this register is set to 1 by the microprocessor, the circuit is reset (Same action as reset pin).

After writing this register, the values of these three bits return to the default value.

VI.2 - General Configuration Register 1

GCR1 (02)H

bit15					bit8					bit7					bit0				
SBV	MBL	AFAB	SCL	BSEL	SELB	CSD	HCL	SYN1	SYN0	D7	EVM	TSV	TRD	PMA	WDD				
After reset (0000) _H																			

WDD : Watch Dog Disable

WDD = 1, the Watch Dog is masked: WDO pin stays at "0".

WDD = 0, the Watch Dog generates an "1" on WDO pin if the microprocessor has not reset the Watch Dog during the duration programmed in Timer Register.

PMA : Priority Memory Access

PMA = 1, if the token ring has been launched it is captured and kept in order to authorize memory accesses.

PMA = 0, memory is accessible only if the token is present; after one memory access the token is re-launched from TRO pin of the current circuit to TRI pin of the next circuit.

TRD : Token Ring Disable

TRD = 1, if the token has been launched, the token ring is stopped and destroyed; memory accesses are not possible. The token will not appear on TRO pin.

TRD = 0, the token ring is authorized; when the token will be launched, it will appear on TRO pin.

TSV : Time Stamping Validated
 TSV = 1, the time stamping counter becomes a free binary counter and counts down from 65535 to 0 in step of 250 microseconds (Total = 16384ms). So if an event occurs when the counter indicates A and if the next event occurs when the counter indicates B then:
 $t = (A-B) \times 250$ microseconds is the time which has passed between the two events which have been stored in memory by the Interrupt Controller (for Rx C/I and Rx MON CHANNEL only).
 TSV = 0, the counter becomes a decimal counter. The Timer Register and this decimal counter constitute a Watch Dog or a Timer.

EVM : EXTERNAL VCXO MODE
 EVM=1, VCXO Synchronization Counter is divided by 32.
 EVM=0, VCXO Synchronization Counter is divided by 30.

D7 : First HDLC controller connected to MATRIX
 D7 = 1, the first transmit HDLC controller is connected to matrix input 7, the DIN7 signal is ignored.
 D7 = 0, the DIN7 signal is taken into account by the matrix, the first transmit HDLC controller is ignored by the matrix.

SYN0/1: SYNCHRONIZATION
 SYN0/1: these two bits define the signal applied on FRAMEA/B inputs.

SYN1	SYN0	Signal applied on FRAMEA/B inputs
0	0	SY Interface
0	1	GCI Interface (the signal defines the first bit of the frame)
1	0	Vstar Interface (the signal defines third bit of the frame)
1	1	Not used

HCL : HIGH BIT CLOCK
 This bit defines the signal applied on CLOCKA/B inputs.
 HCL = 1, bit clock signal is at 8192kHz (or 6144kHz)
 HCL = 0, bit clock signal is at 4096kHz (or 3072kHz)

CSD : Clock Supervision Deactivation
 CSD = 1, the lack of selected clock is not seen by the microprocessor; INT1 is masked.
 CSD = 0, when the selected clock disappears the INT1 pin goes to 5V, 250ms after this disappearance.

SELB : SELECT B
 SELB = 1, FRAME B and CLOCK B must be selected.
 SELB = 0, FRAME A and CLOCK A must be selected.

BSEL : B SELECTED (this bit is read only)
 BSEL = 1, FRAME B and CLOCK B are selected.
 BSEL = 0, FRAME A and CLOCK A are selected.

SCL : Single Clock
 This bit defines the signal delivered by DCLK output pin.
 CLOCKA/B inputs at 4096kHz or 8192kHz
 SCL = 1, Data Clock is at 2048kHz.
 SCL = 0, Data Clock is at 4096kHz.
 CLOCKA/B inputs at 3072kHz or 6144kHz
 SCL = 1, Data Clock is at 1536kHz.
 SCL = 0, Data Clock is at 3072kHz.

AFAB : Advanced Frame A/B Signal
 AFAB = 1, the advance of FRAMEA Signal and FRAMEB Signal is 0.5 bit time versus the signal FRAMEA (or B).
 AFAB = 0, FRAMEA Signal and FRAMEB Signal are in accordance with the clock timing.

MBL : Memory Bus Low impedance
 MBL = 1, the shared memory bus is at low impedance between two memory cycles and also at low impedance during a memory cycle.
 The memory bus includes Control bus, Address bus except Data bus. One *Multi-HDLC* can be connected to the shared memory. 16 pull-up resistors must be connected on the data bus.
 MBL = 0, the shared memory bus is at high impedance between two memory cycles and at low impedance during a write memory cycle.
 Several *Multi-HDLCs* can be connected to the shared memory. One pull-up resistor is recommended on each wire (Control bus, Address bus, Data bus).

MBL	Bus	During the whole of cycle duration		On the outside of cycle
		Write cycle	Read cycle	
1	A, C	L	L	L
	D	L	Z	Z
0	A, C	L	L	Z
	D	L	Z	Z

SBV : Six Bit Validation (A, E, S1/S4 bits). Global validation for 16 channels (Upstream and downstream).

SBV=1, in reception, the six bit word (A, E, S1/S4) located in the same timeslot as D channel can be received from any input timeslot; when this word is received identical twice consecutively, it is stored in the external shared memory and an interrupt is generated if not masked (like the reception of primitive from C/I channel).

Sixteen independent detections are performed if the contents of any input timeslot is switched in the timeslot $4n+3$ of two GCI multiplexes (corresponding to DOUT4 and DOUT5) with $(0 \leq n \leq 7)$. Only the contents of D channel will be transmitted from input timeslot to GCI multiplexes.

In transmission a six bit word (A, E, S1/S4) can be transmitted continuously to any output timeslot via the TCIR. This word (A, E, S1/S4) is set instead of primitive (C1, C2, C3, C4) and A, E bits received from the timeslot $4n+3$ of two GCI multiplexes and the new contents of this timeslot $4n+3$ must be switched on the selected output timeslot.

SBV=0, the 16 six bit detections are not validated.

VI.3 - Input Multiplex Configuration Register 0

IMCR0 (04)_H

bit15			bit8				bit7				bit0				
LP3	DEL3	ST(3)1	ST(3)0	LP2	DEL2	ST(2)1	ST(2)0	LP1	DEL1	ST(1)1	ST(1)0	LP0	DEL0	ST(0)1	ST(0)0
After reset (0000) _H															

See definition in next Paragraph.

VI.4 - Input Multiplex Configuration Register 1

IMCR1 (06)H

bit15				bit8				bit7				bit0			
LP7	DEL7	ST(7)1	ST(7)0	LP6	DEL6	ST(6)1	ST(6)0	LP5	DEL5	ST(5)1	ST(5)0	LP4	DEL4	ST(4)1	ST(4)0
After reset (0000) _H															

ST(i)0 : STEP0 for each Input Multiplex(i) with (0 ≤ i ≤ 7), delayed or not.

ST(i)1 : STEP1 for each Input Multiplex(i) with (0 ≤ i ≤ 7), delayed or not.

DEL(i) : DELAYED Multiplex i(0 ≤ i ≤ 7).

DEL (i)	ST (i) 1	ST (i) 0	STEP for each Input Multiplex 0/7 delayed or not
X	0	0	Each received bit is sampled at 3/4 bit-time without delay (TDM at 2 Mb/s).First bit of the frame is defined by Frame synchronization Signal.
1	0	1	Each received bit is sampled with 1/2 bit-time delay
1	1	0	Each received bit is sampled with 1 bit-time delay
1	1	1	Each received bit is sampled with 2 bit-time delay
0	0	1	Each received bit is sampled with 1/2 bit-time advance
0	1	0	Each received bit is sampled with 1 bit-time advance
0	1	1	Each received bit is sampled with 2 bit-time advance

When IMTD = 0 (bit of SMCR), DEL = 1 is not taken into account by the circuit.

If TDM is at 2048 kb/s, 1/2 bit-time is 244 ns,

If TDM is at 4096 kb/s, 1/2 bit-time is 122 ns.

LP (i) : LOOPBACK 0/7

LPi = 1, Output Multiplex(i) is put instead of Input Multiplex(i) with (0 ≤ i ≤ 7). LOOPBACK is transparent or not in accordance with OMVi (bit of Output Multiplex Configuration Register).

LPi = 0, Normal case, Input Multiplex(i) with (0 ≤ i ≤ 7) is taken into account.

N.B. If DIN4 and DIN5 are GCI Multiplexes: then ST(4)1 = ST(4)0 = 0 and ST(5)1 = ST(5)0 = 0 normally.

VI.5 - Output Multiplex Configuration Register 0

OMCR0 (08)H

bit15				bit8				bit7				bit0			
OMV3	DEL3	ST(3)1	ST(3)0	OMV2	DEL2	ST(2)1	ST(2)0	OMV1	DEL1	ST(1)1	ST(1)0	OMV0	DEL0	ST(0)1	ST(0)0
After reset (0000) _H															

See definition in next Paragraph.

VI.6 - Output Multiplex Configuration Register 1

OMCR1 (0A)H

bit15				bit8				bit7				bit0			
OMV7	DEL7	ST(7)1	ST(7)0	OMV6	DEL6	ST(6)1	ST(6)0	OMV5	DEL5	ST(5)1	ST(5)0	OMV4	DEL4	ST(4)1	ST(4)0
After reset (0000) _H															

ST(i)0 : STEP0 for each Output Multiplex(i) with (0 ≤ i ≤ 7), delayed or not.

ST(i)1 : STEP1 for each Output Multiplex(i) with (0 ≤ i ≤ 7), delayed or not.

DEL(i); : DELAYED Multiplex(i) with ($0 \leq i \leq 7$).

DEL (i)	ST (i) 1	ST (i) 0	STEP for each Output Multiplex 0/7 delayed or not
X	0	0	Each bit is transmitted on the rising edge of the double clock without delay. Bit0 is defined by Frame synchronization Signal.
1	0	1	Each bit is transmitted with 1/2 bit-time delay.
1	1	0	Each bit is transmitted with 1 bit-time delay.
1	1	1	Each bit is transmitted with 2 bit-time delay
0	0	1	Each bit is transmitted with 1/2 bit-time advance.
0	1	0	Each bit is transmitted with 1 bit-time advance.
0	1	1	Each bit is transmitted with 2 bit-time advance

When IMTD = 0 (bit of SMCR), DEL = 0 is not taken into account by the circuit.

If TDM is at 2048 kb/s, 1/2 bit-time is 244 ns

If TDM is at 4096 kb/s, 1/2 bit-time is 122 ns

OMV (i): Output Multiplex Validated 0/7

OMVi = 1, condition to have DOUT(i) pin active ($0 \leq i \leq 7$).

OMVi = 0, DOUT(i) pin is High impedance continuously ($0 \leq i \leq 7$).

N.B. If DOUT4 and DOUT5 are GCI Multiplexes: then ST(4)1 = ST(4)0 = 0 and ST(5)1 = ST(5)0 = 0 normally.

VI.7 - Switching Matrix Configuration Register

SMCR (0C)_H

bit15				bit8				bit7				bit0			
SW1	SW0	M1	M0	DR64	DR44	DR24	DR04	AISD	ME	SGC	SAV	SGV	TS1	TS0	IMTD
After reset (0000) _H															

IMTD : Increased Minimum Throughput Delay

When SI = 0 (bit of CMDR, variable delay mode):

IMTD = 1, the minimum delay through the matrix memory is three time slots whatever the selected TDM output.

IMTD = 0, the minimum delay through the matrix memory is two time slots whatever the selected TDM output. In this case the input TDM's cannot be delayed versus the Frame Synchronization (use of IMCR is limited) and the output TDM's cannot be advanced versus the Frame Synchronization (use of OMCR is limited).

TS0 : Tristate 0

TS0 = 1, the DOUT0/3 and DOUT6/7 pins are tristate: "0" is at low impedance, "1" is at low impedance and the third state is high impedance.

TS0 = 0, the DOUT0/3 and DOUT6/7 pins are open drain: "0" is at low impedance, "1" is at high impedance.

TS1 : Tristate 1

TS1 = 1, the DOUT4/5 pins are tristate: "0" is at low impedance, "1" is at low impedance and the third state is high impedance.

TS1 = 0, the DOUT4/5 pins are open drain: "0" is at low impedance, "1" is at high impedance.

SGV : Pseudo Random Sequence Generator Validated

SGV = 1, PRS Generator is validated. The Pseudo Random Sequence is transmitted during the related time slot(s).

SGV = 0, PRS Generator is reset. "0" are transmitted during the related time slot.

- SAV : Pseudo Random Sequence analyser Validated
SAV = 1, PRS analyser is validated.
SAV = 0, PRS analyser is reset.
- SGC : Pseudo Random Sequence Generator Corrupted
When SGC bit goes from 0 to 1, one bit of sequence transmitted is corrupted.
When the corrupted bit has been transmitted, SGC bit goes from 1 to 0 automatically.
- ME : MESSAGE ENABLE
ME = 1 The contents of Connection Memory is output on DOUT0/7 continuously.
ME = 0 The contents of Connection Memory acts as an address for the Data Memory.
- AISD : Alarm Indication Signal Detection.
AISD=1, the Alarm Indication Signal detection is validated.
Sixteen independent detections are performed for sixteen hyperchannels. The contents of any input hyperchannel (B1, B2) switched (in transparent mode or not) on GCI channels is analysed independently.
For each GCI channel, the 16 bits of B1 and B2 channels are checked together; when all "one" has been detected during 30 milliseconds, a status is stored in the Command/ Indicate interrupt queue and an interrupt is generated if not masked (like the reception of primitive from GCI multiplexes).
AISD=0, the Alarm Indication Signal detection for 16 hyperchannels is not validated.
- DR04 : Data Rate of TDM0 is at 4Mb/s (Case: M1=M0=0).
DR04 = 1, the signal received from DIN0 pin and the signal delivered by Dout0 pin are at 4Mb/s. DIN1 pin and DOUT1 pin are ignored.
The Time Division Multiplex 0 is constituted by 64 contiguous timeslots numbered from 0 to 63.
DR04 = 0, the signals received from DIN0/1 pins and the signals delivered by Dout0/1 pins are at 2Mb/s.
- DR24 : Data Rate of TDM2 is at 4Mb/s (Case: M1=M0=0).
DR24 = 1, the signal received from DIN2 pin and the signal delivered by Dout2 pin are at 4Mb/s. DIN3 pin and DOUT3 pin are ignored.
The Time Division Multiplex 2 is constituted by contiguous 64 timeslots numbered from 0 to 63.
DR24 = 0, the signals received from DIN2/3 pins and the signals delivered by Dout2/3 pins are at 2Mb/s.
- DR44 : Data Rate of TDM4 is at 4Mb/s (Case: M1=M0=0).

DR44 = 1, the signal received from DIN4 pin and the signal delivered by Dout4 pin are at 4Mb/s. DIN5 pin and DOUT5 pin are ignored.
TDM4/5 cannot be GCI multiplexes.
The Time Division Multiplex 4 is constituted by 64 contiguous timeslots numbered from 0 to 63.
DR44 = 0, the signals received from DIN4/5 pins and the signals delivered by Dout4/5 pins are at 2Mb/s.
- DR64 : Data Rate of TDM6 is at 4Mb/s (Case: M1=M0=0).

DR64 = 1, the signal received from DIN6 pin and the signal delivered by Dout6 pin are at 4Mb/s. DIN7 pin and DOUT7 pin are ignored.
The Switching Matrix cannot be used to switch the channels to/from the HDLC controllers but the RX HDLC controller can be connected to DIN8 and the TX HDLC controller can be connected to CB pin.
The Time Division Multiplex 6 is constituted by 64 contiguous timeslots numbered from 0 to 63.
DR64 = 0, the signals received from DIN6/7 pins and the signals delivered by Dout6/7 pins are at 2M b/s.

M1/0 : Data Rate of TDM0/8;

These two bits indicate the data rate of height Time Division Multiplexes TDM0/7 relative to DIN0/7 and DOUT0/7. The table below shows the different data rates with the clock frequency defined by HCL bit (General Configuration Register).

N.B. The data rate of the Time Division Multiplex relative to DIN8, CB and Echo pins are at 2048 Kbit/s or 1536 Kbit/s depending on M1/0 only.

M1	M0	Data Rate of TDM0/7 in Kbit/s	CLOCKA/B signal frequency	
			HCL=0	HCL=1
0	0	2048 (or 4096 in accordance with DR0x4)	4096 KHz	8192 KHz
0	1	1536 (or 3072 in accordance with DR0x4)	3072 KHz	6144KHz
1	0	Reserved		
1	1	Reserved		

SW0 : Switching at 32 Kbit/s for the TDM0 (DIN0/DOUT0)

SW0=1, DIN0 can receive 64 channels at 32 Kbit/s.

DIN2/DOUT2 are not available.

DIN2 is used to receive internally TDM0 (DIN0) after 4 bit shifting

DOUT2 is used to multiplex internally TDM2 and TDM4.

SW0=0, DIN0 receives 32 (or 24) channels at 64 Kbit/s or 64 channels at 64 Kbit/s depending on DR04 bit and ClockA/B.

SW1 : Switching at 32 Kbit/s for the TDM1 (DIN1/DOUT1)

SW1=1, DIN1 can receive 64 channels at 32 Kbit/s.

DIN3/DOUT3 are not available.

DIN3 is used to receive internally TDM1(DIN1) after 4 bit shifting

DOUT3 is used to multiplex internally TDM3 and TDM5.

SW1=0, DIN1 receives 32 (or 24) channels at 64 Kbit/s or 64 channels at 64 Kbit/s depending on DR04 bit and ClockA/B.

VI.8 - Connection Memory Data Register

CMDR (0E)_H

CONTROL REGISTER (CTLR)								SOURCE REGISTER (SRCR)							
bit15							bit8	bit7						bit0	
SCR	PS	PRSA	S1	S0	OTSV	LOOP	SI	IM2	IM1	IM0	ITS 4	ITS 3	ITS 2	ITS 1	ITS 0
After reset (0000) _H															

This 16 bit register is constituted by two 8 bit registers:

SOURCE REGISTER (SRCR) and CONTROL REGISTER (CTLR).

SOURCE REGISTER (SRCR)

This register defines the source when this source is located on an Input Time Division Multiplex ITDMp:

ITS 0/4 : Input time slot 0/4 define ITS_x with: $0 \leq x \leq 31$;

IM0/2 : Input Time Division Multiplex 0/2 define ITDM_p with: $0 \leq p \leq 7$.

When D channels are multiplexed, see S0/S1 definition and tables here after.

CONTROL REGISTER (CTRL) defines each Output Time Slot OTSy of each Output Time Division Multiplex OTDMq:

SI : SEQUENCE INTEGRITY

SI = 1, the delay is always: $(31 - ITS_x) + 32 + OTS_y$ (constant delay).

SI = 0, the delay is minimum to pass through the data memory (variable delay).

LOOP: LOOPBACK per channel relevant if two connections has been established (bidirectional or not).

LOOP = 1, OTSy, OTDMq is taken into account instead of ITSy, ITDMq.

OTSV = 1, transparent Mode LOOPBACK.

OTSV = 0, not Transparent Mode LOOPBACK.

OTSV: OUTPUT TIME SLOT VALIDATED

OTSV = 1, OTSy OTDMq is enabled.

OTSV = 0, OTSy OTDMq is High impedance.

(OTSy: Output Time slot with $0 \leq y \leq 31$; OTDMq: Output Time Division Multiplex with $0 \leq q \leq 7$).

S1/S0: Source

S1	S0	Source for each timeslot of DOUT0/7
0	0	Data Memory (Normal case)
0	1	Connection Memory
1	0	D channels from/to GCI multiplexes (See note and table hereafter)
1	1	Pseudo Random Sequence Generator delivers sequences. Hyperchannel at $n \times 64$ Kb/s is possible.

Note:

- Connection

When the source of D channels is selected (GCI channels defined by ITS 1/0) and when the destination is selected (Output timeslot defined by OTS 0/4; output TDM defined by OM 0/2) the upstream connection is set up; the downstream connection (reverse direction TDM to GCI) is set up automatically if ITS 2 bit is at 1. So BID, bit of CMAR must be written at "0".

- Release

Remember: write S1=1, S0=0 and ITS 2 bit = 0 to release the downstream connection; the up-stream connection is released when the source changes.

Table: switching at 16 Kb/s when ITS3=0

S1	S0	ITS3	ITS2	ITS1	ITS 0	Upstream Source: D channels of one GCI channel Destination: two bits of one TDM	Downstream Source: two bits of one TDM Destination: D channels of one GCI channel
1	0	0	1	0	0	The contents of D channels of GCI 0 /3 of multiplex DIN4 are transferred into the output timeslot of one TDM defined by the destination register (CMAR). D channel of GCI 0 in bit 1/2 D channel of GCI 1 in bit 3/4 D channel of GCI 2 in bit 5/6 D channel of GCI 3 in bit 7/8	The contents of the input timeslot (same number as the number of the output timeslot) is transferred in D channel of GCI 0/3 of multiplex DOUT4 bit 1/2 in D channel of GCI 0 bit 3/4 in D channel of GCI 1 bit 5/6 in D channel of GCI 2 bit 7/8 in D channel of GCI 3
				0	1	The contents of D channels of GCI 4/7 of multiplex DIN4 are transferred into the output timeslot of one TDM defined by the destination register (CMAR). D channel of GCI 4 in bit 1/2 D channel of GCI 5 in bit 3/4 D channel of GCI 6 in bit 5/6 D channel of GCI 7 in bit 7/8	The contents of the input timeslot (same number as the number of the output timeslot) is transferred in D channel of GCI 4/7 of multiplex DOUT4. bit 1/2 in D channel of GCI 4 bit 3/4 in D channel of GCI 5 bit 5/6 in D channel of GCI 6 bit 7/8 in D channel of GCI 7
				1	0	The contents of D channels of GCI 0 /3 of multiplex DIN5 are transferred into the output timeslot of one TDM defined by the destination register (CMAR). D channel of GCI 0 in bit 1/2 D channel of GCI 1 in bit 3/4 D channel of GCI 2 in bit 5/6 D channel of GCI 3 in bit 7/8	The contents of the input timeslot (same number as the number of the output timeslot) is transferred in D channel of GCI 0/3 of multiplex DOUT5. bit 1/2 in D channel of GCI 0 bit 3/4 in D channel of GCI 1 bit 5/6 in D channel of GCI 2 bit 7/8 in D channel of GCI 3
				1	1	The contents of D channels of GCI 4/7 of multiplex DIN5 are transferred into the output timeslot of one TDM defined by the destination register (CMAR). D channel of GCI 4 in bit 1/2 D channel of GCI 5 in bit 3/4 D channel of GCI 6 in bit 5/6 D channel of GCI 7 in bit 7/8	The contents of the input timeslot (same number as the number of the output timeslot) is transferred in D channel of GCI 4/7 of multiplex DOUT5. bit 1/2 in D channel of GCI 4 bit 3/4 in D channel of GCI 5 bit 5/6 in D channel of GCI 6 bit 7/8 in D channel of GCI 7

Table: switching at 16 Kb/s when ITS3=1

S1	S0	ITS3	ITS2	ITS1	ITS 0	Upstream Source: D channels of one GCI channel Destination: two bits of one TDM	Downstream Source: two bits of one TDM Destination: D channels of one GCI channel
1	0	1	1	0	0	The contents of D channels of GCI 0 /3 of multiplex DIN4 are transferred into the output timeslot of one TDM defined by the destination register (CMAR). D channel of GCI 0 in bit 7/8 D channel of GCI 1 in bit 5/6 D channel of GCI 2 in bit 3/4 D channel of GCI 3 in bit 1/2	The contents of the input timeslot (same number as the number of the output timeslot) is transferred in D channel of GCI 0/3 of multiplex DOUT4 bit 7/8 in D channel of GCI 0 bit 5/6 in D channel of GCI 1 bit 3/4 in D channel of GCI 2 bit 1/2 in D channel of GCI 3
				0	1	The contents of D channels of GCI 4/7 of multiplex DIN4 are transferred into the output timeslot of one TDM defined by the destination register (CMAR). D channel of GCI 4 in bit 7/8 D channel of GCI 5 in bit 5/6 D channel of GCI 6 in bit 3/4 D channel of GCI 7 in bit 1/2	The contents of the input timeslot (same number as the number of the output timeslot) is transferred in D channel of GCI 4/7 of multiplex DOUT4. bit 7/8 in D channel of GCI 4 bit 5/6 in D channel of GCI 5 bit 3/4 in D channel of GCI 6 bit 1/2 in D channel of GCI 7
				1	0	The contents of D channels of GCI 0 /3 of multiplex DIN5 are transferred into the output timeslot of one TDM defined by the destination register (CMAR). D channel of GCI 0 in bit 7/8 D channel of GCI 1 in bit 5/6 D channel of GCI 2 in bit 3/4 D channel of GCI 3 in bit 1/2	The contents of the input timeslot (same number as the number of the output timeslot) is transferred in D channel of GCI 0/3 of multiplex DOUT5. bit 7/8 in D channel of GCI 0 bit 5/6 in D channel of GCI 1 bit 3/4 in D channel of GCI 2 bit 1/2 in D channel of GCI 3
				1	1	The contents of D channels of GCI 4/7 of multiplex DIN5 are transferred into the output timeslot of one TDM defined by the destination register (CMAR). D channel of GCI 4 in bit 7/8 D channel of GCI 5 in bit 5/6 D channel of GCI 6 in bit 3/4 D channel of GCI 7 in bit 1/2	The contents of the input timeslot (same number as the number of the output timeslot) is transferred in D channel of GCI 4/7 of multiplex DOUT5. bit 7/8 in D channel of GCI 4 bit 5/6 in D channel of GCI 5 bit 3/4 in D channel of GCI 6 bit 1/2 in D channel of GCI 7

PRSA:SPseudo Random Sequence analyser

If PRSA = 1, PRS analyser is enabled during OTSy OTDMq and receives data:

S0 = 0, data comes from Data Memory.

S0 = 1 AND S1 = 1, Data comes from PRS Generator (Test Mode).

If PRSA = 0, PRS analyser is disabled during OTSy OTDMq.

PS : Programmable Synchronization

If PS = 1, Programmable Synchronization Signal Pin is at "1" during the bit time defined by OTSy and OTDMq.

For OTSy and OTDMq with $y = q = 0$, PSS pin is at "1" during the first bit of the frame defined by the Frame synchronization Signal (FS).

If PS = 0, PSS Pin is at "0" during the bit time defined by OTSy and OTDMq.

SCR : Scrambler/ Descrambler

SCR=1, the scrambler or the descrambler are enabled. Both of them are located after the switching matrix.

The scrambler is enabled when the output timeslot defined by the destination register (DSTR) is an output timeslot belonging to any TDM except the two GCI multiplexes; the contents of this output timeslot will be scrambled in accordance with the IUT-T V.29 Rec.

The descrambler is enabled when the output timeslot defined by the destination register (DSTR) is an output timeslot belonging to the two GCI multiplexes except any TDM; the contents of this output timeslot is descrambled in accordance with the IUT-T V.29 Rec.

Only 32 timeslots of 256 can be scrambled or/and descrambled:

GCI side, only B1 and B2 can be selected in each GCI channel (16 GCI channels are available: 8 per GCI multiplex).

*TDM side, it is forbidden to select a given timeslot more than once when several TDMs are selected.

SCR=0, the scrambler or the descrambler are disabled; the contents of output timeslots are not modified.

VI.9 - Connection Memory Address Register

CMAR (10)_H

ACCESS MODE REGISTER (AMR)							DESTINATION REGISTER (DSTR)								
bit15						bit8	bit7						bit0		
Nu	Nu	TC	CACL	CAC	BID	CM	READ	OM2	OM1	OM0	OTS4	OTS3	OTS2	OTS1	OTS0
After reset (0800) _H															

This 16 bit register is constituted by two registers: DESTINATION REGISTER (DSTR) and ACCESS MODE REGISTER (AMR) respectively 8 bits and 6 bits.

DESTINATION REGISTER (DSTR)

Only when DSTR is written by the microprocessor, **a memory access is launched**.

DSTR has two use modes depending on CM (bit of CMAR).

CM = 1, access to connection memory (read or write);

When CM = 1, OTS 0/4 and OM 0/2 bits are defined hereafter:

OTS 0/4 : Output time slot 0/4 define OTSy with: $0 \leq y \leq 31$;

OM0/2 : Output Time Division Multiplex 0/2 define OTDMq with: $0 \leq q \leq 7$.

See table hereafter when DR04, DR24, DR44 and/or DR64 are at "1"; these bits of SMCR define the TDMs at 4 Mbit/s.

STLC5466

- The IM2/1 bits of Source Register (SRCR of CMDR) indicate the DIN pin number and the OM2/1 bits of Destination Register (DSTR of CMAR) indicate the DOUT pin number

IM2 (bit7)	IM1 (bit6)	DIN pin	OM2 (bit7)	OM1 (bit6)	DOUT pin
0	0	DIN0	0	0	DOUT0
0	1	DIN2	0	1	DOUT2
1	0	DIN4	1	0	DOUT4
1	1	DIN6	1	1	DOUT6

- The ITS4/0 and IM0 bits of Source Register (SRCR of CMDR) indicate the input timeslot number. (IM0 bit is the Least Significant Bit; it indicates either even timeslot or odd timeslot.

ITS4 (bit4)	ITS3 (bit3)	ITS2 (bit2)	ITS1 (bit1)	ITS0 (bit0)	IM0 (bit5)	Input timeslot number
0	0	0	0	0	0	0
0	0	0	0	0	1	1
0	0	0	0	1	0	2
0	0	0	0	1	1	3
0	0	0	1	0	0	4
0	0	0	1	0	1	5
1	1	1	1	1	1	63

- The OTS4/0 and OM0 bits of Destination Register (DSTR of CMAR) indicate the output timeslot number. (OM0 bit is the Least Significant Bit; it indicates either even timeslot or odd timeslot.

OTS4 (bit4)	OTS3 (bit3)	OTS2 (bit2)	OTS1 (bit1)	OTS0 (bit0)	OM0 (bit5)	Output timeslot number
0	0	0	0	0	0	0
0	0	0	0	0	1	1
0	0	0	0	1	0	2
0	0	0	0	1	1	3
0	0	0	1	0	0	4
0	0	0	1	0	1	5
1	1	1	1	1	1	63

- Nota Bene:

CLOCK A/B is at 4 or at 8 MHz in accordance with HCL bit of General Configuration Register GCR (02).

- HCL=1, bit clock frequency is at 8 192 kHz.

For a TDM at 4 Mbit/s or 2Mbit/s, each received bit is sampled at 3/4 bit-time.

– HCL=0, bit clock frequency is at 4 096 kHz

For a TDM at 4 Mbit/s, each received bit is sampled at half bit-time (at 4 Mbit/s, bit-time=244ns).

For a TDM at 2 Mbit/s, each received bit is sampled at 3/4 bit-time (at 2 Mbit/s, bit-time=488ns).

- Remarks:

QM0, bit5 of DSTR indicates either even TDM or odd TDM if TDM at 2 Mb/s.

QM0, bit5 of DSTR indicates either even Output timeslot or odd Output timeslot if TDM at 4 Mb/s.

IM0, bit5 of SRCR indicates either even TDM or odd TDM if TDM at 2 Mb/s.

IM0, bit5 of SRCR indicates either even Input timeslot or odd Input timeslot if TDM at 4 Mb/s.

ACCESS MODE REGISTER (AMR)**READ** : READ MEMORY

READ = 1, Read Connection Memory (or Data Memory in accordance with CM).

READ = 0, Write Connection Memory.

CM : CONNECTION MEMORY

CM = 1, Write or Read Connection Memory in accordance with READ.

CM = 0, Read only Data Memory (READ = 0 has no effect).

N.B. After software reset (bit 2 of IDCR Register) or pin reset the automate of the Connection Memory is launched. This automate initializes the Connection Memory within 250 microseconds at the most. This automate is stopped when the microprocessor writes (0200H) in CMAR Register (CM =1).

BID : BIDIRECTIONAL CONNECTION.

BID = 1; Two connections are set up:

- ITSx ITDMp -----> OTSy OTDMq (LOOP of CMDR Register is taken into account) and
- ITSy ITDMq -----> OTSx OTDMq (LOOP of CMDR Register is not taken into account).

BID = 0; One connection is set up:

- ITSx ITDMp -----> OTSy OTDMq only.

CAC : CYCLICAL ACCESS

CAC = 1 (BID is ignored)

if Write Connection Memory, an automatic data write from Connection Memory Data Register (CMDR) up to 256 locations of Connection Memory occurs. The first address is indicated by the register DSTR, the last is (FF)H.

if Read Connection Memory, an automatic transfer of data from the location indicated by the register (DSTR) into Connection Memory Data Register (CMDR) after reading by the microprocessor occurs. The last location is (FF)H.

CAC = 0, Write and Read Connection Memory in the normal way.

- N.B. After software reset (bit 2 of IDCR Register) or pin reset an automate is working to reset the connection memory (all "0"). The automate is stopped when the microprocessor writes TAAR Register with CAC= 0.

CACL : CYCLICAL ACCESS LIMITED

CACL = 1(BID is ignored)

If Write Connection Memory, an automatic data write from Connection Memory Data Register (CMDR) up to 32 locations of Connection Memory occurs. The first location is indicated by OTS 0/4bits of the register (DSTR) related to OTDMq as defined by OM0/2 occurs. The last location is q +1 F(H).

If Read Connection Memory, an automatic transfer of data from Connection Memory into Connection Memory Data Register (CMDR) after reading this last by the microprocessor occurs. The first location is indicated by OTS 0/4 bits of the register (DSTR) related to OTDMq as defined by OM0/2. The last location is q +1 F(H).

CACL = 0, Write and Read Connection Memory in the normal way.

TC : Transparent Connection

TC = 1, (BID is ignored) if READ = 0:

CAC = 0 and CACL = 0. The DSTR bits are taken into account instead of SRCR bits. SRCR bits are ignored (Destination and Source are identical). The contents of Input time slot i - Input multiplex j is switched into Output time slot i - Output multiplex j.

CAC = 0 and CACL = 1. Up to 32 "Transparent Connections" are set up.

CAC = 1 and CACL = 0. Up to 256 "Transparent Connections" are set up.

TC = 0, Write and Read Connection Memory in accordance with BID.

VI.10 - Sequence Fault Counter Register**SFCR (12)_H**

bit15					bit8				bit7			bit0				
F15	F14	F13	F12	F11	F10	F9	F8	F7	F6	F5	F4	F3	F2	F1	F0	
After reset (0000) _H																

When this register is read by the microprocessor, this register is reset (0000)_H.

F0/15 : FAULT0/15

Number of faults detected by the Pseudo Random Sequence analyser if the analyser has been validated and has recovered the receive sequence.

When the Fault Counter Register reaches (FFFF)_H it stays at its maximum value.

- NB. As the SFCR is reset after reading, a 8-bit microprocessor must read the LSB that will represent the number of faults between 0 and 255. To avoid overflow escape notice, it is necessary to start counting at FF00h, by writing this value in SFCR before launching PRSA. If there are more than FFh errors, the SFCO interrupt bit (see interrupt register IR -38H address) will signal that the fault count register has reached the value FFFFh (because of the number of faults exceeded 255).

VI.11 - Time Slot Assigner Address Register 1**TAAR1 (14)_H**

bit15					bit8				bit7			bit0				
TS4	TS3	TS2	TS1	TS0	READ	Nu	HDI	r	e	s	e	r	v	e	d	
After reset (0100) _H																

READ : READ MEMORY

READ = 1, Read Time slot Assigner Memory 1.

READ = 0, Write Time slot Assigner Memory 1.

TS0/4 : TIME SLOTS0/4

These five bits define one of 32 time slots in which a channel is set-up or not.

HDI : HDLC1 INIT

HDI = 1, TSA1 Memory, Tx HDLC1, Tx DMA1, Rx HDLC1, Rx DMA1 and GCI controllers are reset within 250 microseconds at the most. An automate writes data from Time slot Assigner Data Register1 (TADR1) (except CH0/4 bits) into each TSA Memory location. If the microprocessor reads Time slot Assigner Memory 1 after HDLC INIT, CH0/4 bits of Time slot Assigner Data Register are identical to TS0/4 bits of Time slot Assigner Address Register 1.

HDI = 0, Normal state.

- N.B. After software reset (bit 2 of IDCR Register) or pin reset the automate above mentioned is working. The automate is stopped when the microprocessor writes TAAR Register with HDI = 0.

VI.12 - Time Slot Assigner Data Register 1**TADR1 (16)_H**

bit15					bit8				bit7			bit0				
V11	V10	V9	V8	V7	V6	V5	V4	V3	V2	V1	CH4	CH3	CH2	CH1	CH0	
After reset (0000) _H																

CH0/4 : CHANNEL0/4

These five bits define one of 32 channels associated to time slot defined by the previous Register 1(TAAR1).

V1/8 : VALIDATION

The logical channel CHx is constituted by each subchannel 1 to 8 and validated by V1/8 bit at 1 respectively.

V1 to V8 are at "0": the subchannels are ignored.

V1 corresponds to the first bit received during the current time slot.

V1 at 1: the first bit of the current time slot is taken into account in reception and in transmission the first bit transmitted is taken into account.

V8 at 1: the last bit of the current time slot is taken into account in reception the last bit received and in transmission the last bit transmitted in transmission.

- V9 : VALIDATION SUBCHANNEL
 V 9 = 1, each V1/8 bit is taken into account once every 250µs.
 In *transmit direction*, data is transmitted consecutively during the time slot of the current frame and during the same time slot of the next frame. Id est.: the same data is transmitted in two consecutive frames.
 In *receive direction*, HDLC controller fetches data during the time slot of the current frame and ignores data during the same time slot of the next frame.
 V 9 = 0, each V1/8 bit is taken into account once every 125µs.
- V10 : DIRECT MHDLC ACCESS
 If V10 = 1, the Rx HDLC Controller 1 receives data issued from DIN8 input during the current time slot (bits validated by V1/8) and DOUT6 output transmits data issued from the Tx HDLC Controller.
 If V10 = 0, the Rx HDLC Controller1 receives data issued from the matrix output 7 during the current time slot; DOUT6 output delivers data issued from the matrix output 6 during the same current time slot.
 N.B: If D7 = 1, bit of General Configuration Register GCR1 the Tx HDLC controller1 is connected to matrix input 7 continuously so the HDLC frames can be sent to any DOUT (i.e. DOUT0 to DOUT7).
- V11 : VALIDATION of CB pin
 This bit is not taken into account if CSMA = 1 (HDLC Transmit Command Register).
 if CSMA = 0:
 V11 = 1, Contention 1 Bus pin is validated and Echo 1 pin (which is an input) is not taken into account.
 V11 = 0, Contention Bus pin is high impedance during the current time slot (This pin is an open drain output).

VI.13 - HDLC Transmit Command Register 1

HTCR1 (18)_H

bit15									bit8		bit7		bit0			
CH4	CH3	CH2	CH1	CH0	READ	Nu	CF	PEN	CSMA	NCRC	F	P1	P0	C1	C0	
After reset (0000) _H																

- READ : READ COMMAND MEMORY
 READ = 1, READ COMMAND MEMORY.
 READ = 0, WRITE COMMAND MEMORY.
- CH0/4 : These five bits define one of 32 channels.
- C1/C0 : COMMAND BITS

C1	C0	Command Bits written by the microprocessor
0	0	ABORT; if this command occurs during the current frame, HDLC Controller transmits seven "1" immediately, afterwards HDLC Controller transmits "1" or flag in accordance with F bit, generates an interrupt and waits new command such as START or CONTINUE. If this command occurs after transmitting a frame, HDLC Controller generates an interrupt and waits a new command such as START or CONTINUE.
0	1	START; Tx DMA Controller is now going to transfer first frame from buffer related to initial descriptor. The initial descriptor address is provided by the Initiate Block located in external memory.
1	0	CONTINUE; Tx DMA Controller is now going to transfer next frame from buffer related to next descriptor. The next descriptor address is provided by the previous descriptor from which the related frame had been already transmitted.
1	1	HALT; after transmitting frame, HDLC Controller transmits "1" or flag in accordance with F bit, generates an interrupt and is waiting new command such as START or CONTINUE.



C1/C0 : STATUS BITS

C1	C0	STATUS BITS read by the microprocessor
0	0	ABORT; the microprocessor has written ABORT or the transmitted frame has been aborted by the HDLC Controller and it waits new command such as START or CONTINUE.
0	1	START; the microprocessor has written START. The HDLC Controller has not taken into account the command yet.
1	0	CONTINUE; the HDLC Controller has taken into account the command START. TX DMA Controller is transferring frames.
1	1	CONTINUE; Tx DMA Controller is now going to transfer next frame from buffer related to next descriptor. The next descriptor address is provided by the previous descriptor from which the related frame had been already transmitted.

P0/1 : PROTOCOL BITS

P1	P0	Transmission Mode
0	0	HDLC
0	1	Transparent Mode 1 (one byte per timeslot); the fill character defined in FCR Register is taken into account.
1	0	Transparent Mode 2 (one byte per timeslot); the fill character defined in FCR Register is not taken into account.
1	1	Reserved

F : Flag

F = 1; flags are transmitted between closing flag of current frame and opening flag of next frame.
F = 0; "1" are transmitted between closing flag of current frame and opening flag of next frame.

NCRC : CRC NOT TRANSMITTED

NCRC = 1, the CRC is not transmitted at the end of the frame.
NCRC = 0, the CRC is transmitted at the end of the frame.

CSMA : Carrier Sense Multiple Access with Contention Resolution

CSMA = 1, CB1 output and the Echo Bit are taken into account during this channel transmission by the TxHDLC.
CSMA = 0, CB output and the Echo Bit are defined by V11, bit of Time slot Assigner Data Register TADR1 (16)_H.

PEN : CSMA PENALTY significant if CSMA = 1

PEN = 1, the penalty value is 1; a transmitter which has transmitted a frame correctly will count (PRI +1) logic one received from Echo pin before transmitting next frame. (PRI, priority class 8 or 10 given by the buffer descriptor related to the frame).
PEN = 0, the penalty value is 2; a transmitter which has transmitted a frame correctly will count (PRI +2) logic one received from Echo pin before transmitting next frame. (PRI, priority class 8 or 10 given by the transmit descriptor related to the frame).

CF : Common flag

CF = 1, the closing flag of previous frame and opening flag of next frame are identical if the next frame is ready to be transmitted.
CF = 0, the closing flag of previous frame and opening flag of next frame are distinct.

VI.14 - HDLC Receive Command Register 1

HRCR1 (1A)_H

bit15					bit8					bit7					bit0	
CH4	CH3	CH2	CH1	CH0	READ	AR21	AR20	AR11	AR10	CRC	FM	P1	P0	C1	C0	
After reset (0000) _H																

READ : READ COMMAND MEMORY
 READ = 1, READ COMMAND MEMORY.
 READ = 0, WRITE COMMAND MEMORY.

CH0/4 : These five bits define one of 32 channels.

C1/C0 : COMMAND BITS

C1	C0	Command Bits written by the microprocessor
0	0	ABORT; if this command occurs during receiving a current frame, HDLC Controller stops the reception, generates an interrupt and waits new command such as START or CONTINUE. If this command occurs after receiving a frame, HDLC Controller generates an interrupt and waits a new command such as START or CONTINUE.
0	1	START; Rx DMA Controller is now going to transfer first frame into buffer related to the initial descriptor. The initial descriptor address is provided by the Initiate Block located in external memory.
1	0	CONTINUE; Rx DMA Controller is now going to transfer next frame into buffer related to next descriptor. The next descriptor address is provided by the previous descriptor from which the related frame had been already received.
1	1	HALT; after receiving a frame, HDLC Controller stops the reception, generates an interrupt and waits a new command such as START or CONTINUE.

C1/C0 : STATUS BITS

C1	C0	Status Bits read by the microprocessor
0	0	ABORT; the received current frame has been aborted (seven "1" at least have been received) or the microprocessor has written ABORT. The HDLC Controller waits a new command such as START or CONTINUE
0	1	START; the microprocessor has written START. The HDLC Controller has not taken into account the command yet.
1	0	CONTINUE; RX DMA Controller is transferring frames
1	1	HALT; HDLC Controller stops the reception, generates an interrupt and waits a new command such as START or CONTINUE.

P0/1 : PROTOCOL BITS

P1	P0	Transmission Mode
0	0	HDLC
0	1	Transparent Mode 1 (one byte per timeslot); the fill character defined in FCR Register is taken into account.
1	0	Transparent Mode 2 (one byte per timeslot); the fill character defined in FCR Register is not taken into account.
1	1	Reserved

- FM** : Flag Monitoring
This bit is a status bit read by the microprocessor.
FM=1: HDLC Controller is receiving a frame or HDLC Controller has just received one flag.
FM is put to 0 by the microprocessor.
- CRC** : CRC stored in external memory
CRC = 1, the CRC is stored at the end of the frame in external memory.
CRC = 0, the CRC is not stored into external memory.
- AR10** : Address Recognition10
AR10 = 1, First byte after opening flag of received frame is compared to AF0/7 bits of AFRDR.
If the first byte received and AF0/7 bits are not identical the frame is ignored.
AR10 = 0, First byte after opening flag of received frame is not compared to AF0/7 bits of AFRDR Register.
- AR11** : Address Recognition 11
AR11 = 1, First byte after opening flag of received frame is compared to all "1"s.If the first byte received is not all "1"s the frame is ignored.
AR11 = 0, First byte after opening flag of received frame is not compared to all "1"s.
- AR20** : Address Recognition 20
AR20 = 1, Second byte after opening flag of received frame is compared to AF8/15 bits of AFRDR Register. If the second byte received and AF8/15 bits are not identical the frame is ignored.
AR20 = 0, Second byte after opening flag of received frame is not compared to AF8/15 bits of AFRDR Register.
- AR21** : Address Recognition 21
AR21 = 1, Second byte after opening flag of received frame is compared to all "1"s. If the Second byte received is not all "1"s the frame is ignored.
AR21 = 0, Second byte after opening flag of received frame is not compared to all "1"s.

Second Byte		First Byte		Conditions to Receive a Frame
AR21	AR20	AR11	AR10	
0	0	0	0	Each frame is received without condition.
0	0	0	1	Only value of the first received byte must be equal to that of AF0/7 bits.
0	0	1	0	Only value of the first received byte must be equal to all "1"s.
0	0	1	1	The value of the first received byte must be equal <u>either</u> to that of AF0/7 <u>or</u> to all "1"s.
0	1	0	0	Only value of the second received byte must be equal to that of AF8/15 bits.
0	1	0	1	The value of the first received byte must be equal to that of AF0/7 bits <u>and</u> the value of the second received byte must be equal to that of AF8/15 bits.
0	1	1	0	The value of first received byte is must be equal to all "1"s <u>and</u> the value of second received byte must be equal to that of AF8/15 bits.
0	1	1	1	The value of the first received byte must be equal either to that of AF0/7 or to all "1"s <u>and</u> the value of the second received byte must be equal to that of AF8/15 bits.
1	0	0	0	Only the value of the second received byte must be equal to all "1"s.
1	0	0	1	The value of the first received byte must be equal to that of AF0/7 bits <u>and</u> the value of the second received byte must be equal to all "1"s.

Second Byte		First Byte		Conditions to Receive a Frame
AR21	AR20	AR11	AR10	
1	0	1	0	The value of the first received byte must be equal to all "1"s <u>and</u> the value of the second received byte must be equal to "1" also.
1	0	1	1	The value of the first received byte must be equal either to that of AF0/7 or to "1" <u>and</u> the value of the second received byte must be equal to all "1"s.
1	1	0	0	The value of the second received byte must be equal <u>either</u> to that of AF8/15 <u>or</u> to all "1"s.
1	1	0	1	The value of the first received byte must be equal to that of AF0/7 bits <u>and</u> the value of the second received byte must be equal either to that of AF8/15 or to all "1"s.
1	1	1	0	The value of the first received byte must be equal to "1" <u>and</u> the value of the second received byte must be equal either to that of AF8/15 or to all "1"s.
1	1	1	1	The value of the first received byte must be equal either to that of AF0/7 or to "1" <u>and</u> the value of the second received byte must be equal either to that of AF8/15 or to all "1"s.

VI.15 - Address Field Recognition Address Register 1

AFRAR1 (1C)_H

bit15					bit8		bit7		bit0						
CH4	CH3	CH2	CH1	CH0	READ	AMM	Nu	r	e	s	e	r	v	e	d
After reset (0000) _H															

The write operation is launched when AFRAR is written by the microprocessor.

AMM : Access to Mask Memory

AMM=1, Access to Address Field Recognition Mask Memory.

AMM=0, Access to Address Field Recognition Memory.

READ : READ ADDRESS FIELD RECOGNITION MEMORY

READ=1, READ AFR MEMORY.

READ=0, WRITE AFR MEMORY.

CH0/4 : These five bits define one of 32 channels in reception

VI.16 - Address Field Recognition Data Register 1

AFRDR1 (1E)_H

bit15					bit8		bit7		bit0						
AF15/ AFM15	AF14/ AFM14	AF13/ AFM13	AF12/ AFM12	AF11/ AFM11	AF10/ AFM10	AF9/ AFM9	AF8/ AFM8	AF7/ AFM7	AF6/ AFM6	AF5/ AFM5	AF4/ AFM4	AF3/ AFM3	AF2/ AFM2	AF1/ AFM1	AF0/ AFM0
After reset (0000) _H															

AF0/15 : ADDRESS FIELD BITS

AF0/7; First byte received; AF8/15: Second byte received.

These two bytes are stored into Address Field Recognition Memory when AFRAR1 is written by the microprocessor.

AFM0/15 : ADDRESS FIELD BIT MASK0/15 if AMM=1 (AMM bit of AFRAR1)

AMF0/7. When AR10=1 (See HRCR1) each bit of the first received byte is compared respectively to AFx bit if AFMx=0. In case of mismatching, the received frame is ignored. If AFMx=1, no comparison between AFx and the corresponding received bit.

AMF8/15. When AR20=1 (See HRCR1) each bit of the second received byte is compared respectively to AFy bit if AFMy=0. In case of mismatching, the received frame is ignored. If AFMy=1, no comparison between AFy and the corresponding received bit.

These two bytes are stored into Address Field Recognition Mask Memory when AFRAR 1 is written by the microprocessor (AMM=1).

VI.17 - Fill Character Register 1**FCR1 (20)_H**

bit15				bit8				bit7				bit0			
r	e	s	e	r	v	e	d	FC7	FC6	FC5	FC4	FC3	FC2	FC1	FC0
After reset (0000) _H															

FC0/7 : FILL CHARACTER (eight bits)

In Transparent Mode M1, two messages are separated by FILL CHARACTERS and the detection of one FILL CHARACTER marks the end of a message.

VI.18 - GCI Channels Definition Register 0**GCIR0 (22)_H**

The definitions of x and y indices are the same for GCIR0, GCIR1, GCIR2, GCIR3:

- $0 \leq x \leq 7$, 1 of 8 GCI CHANNELS belonging to the same multiplex TDM4 or TDM5
- $y = 0$, TDM4 is selected
- $y = 1$, TDM5 is selected.

bit15				bit8				bit7				bit0			
ANA11	VCI11	V*11	VM11	ANA10	VCI10	V*10	VM10	ANA01	VCI01	V*01	VM01	ANA00	VCI00	V*00	VM00
TDM5				TDM4				TDM5				TDM4			
GCI CHANNEL 1								GCI CHANNEL 0							
After reset (0000) _H															

VM_{xy} : VALIDATION of MONITOR CHANNEL_x, MULTIPLEX _y:

When this bit is at 1, monitor channel _{xy} is validated.

When this bit is at 0, monitor channel _{xy} is not validated.

On line to reset (if necessary) one MON channel which had been selected previously VM_{xy} must be put at 0 during 125μs before reselecting this channel. Deselecting one MON channel during 125μs resets this MON channel.

V*_{xy} : VALIDATION of V Star _x, MULTIPLEX _y

When this bit is at 1, V Star protocol is validated if VM_{xy}=1.

When this bit is at 0, GCI Monitor protocol is validated if VM_{xy}=1.

VC_{xy} : VALIDATION of Command/Indicate CHANNEL _x, MULTIPLEX_y

When this bit is at 1, Command/Indicate channel _{xy} is validated.

When this bit is at 0, Command/Indicate channel _{xy} is not validated.

It is necessary to let VC_{xy} at "0" during 125 μs to initiate the Command/Indicate channel.

ANA_{xy} : ANALOG APPLICATION

When this bit is at 1, Primitive has 6 bits if C/_{lxy} is validated.

When this bit is at 0, Primitive has 4 bits if C/_{lxy} is validated.

VI.19 - GCI Channels Definition Register 1**GCIR1 (24)_H**

bit15				bit8				bit7				bit0			
ANA31	VCI31	V*31	VM31	ANA30	VCI30	V*30	VM30	ANA21	VCI21	V*21	VM21	ANA20	VCI20	V*20	VM20
TDM5				TDM4				TDM5				TDM4			
GCI CHANNEL 3								GCI CHANNEL 4							
After reset (0000) _H															

For definition see GCI Channels Definition Register above.

VI.20 - GCI Channels Definition Register 2

GCIR2 (26)_H

bit15				bit8				bit7				bit0			
ANA51	VCI51	V*51	VM51	ANA50	VCI50	V*50	VM50	ANA41	VCI41	V*41	VM41	ANA40	VCI40	V*40	VM40
TDM5				TDM4				TDM5				TDM4			
GCI CHANNEL 5								GCI CHANNEL 6							
After reset (0000) _H															

For definition see GCI Channels Definition Register above.

VI.21 - GCI Channels Definition Register 3

GCIR3 (28)_H

bit15				bit8				bit7				bit0			
ANA71	VCI71	V*71	VM71	ANA70	VCI70	V*70	VM70	ANA61	VCI61	V*61	VM61	ANA60	VCI60	V*60	VM60
TDM5				TDM4				TDM5				TDM4			
GCI CHANNEL 7								GCI CHANNEL 8							
After reset (0000) _H															

For definition see GCI Channels Definition Register above.

VI.22 - Transmit Command / Indicate Register

TCIR (2A)_H

bit15						bit8		bit7		bit0					
D	G0	CA2	CA1	CA0	READ	0	0	Nu	Nu	C6/A	C5/E	C4/S1	C3S2	C2S3	C1S4
After reset (00FF) _H															

When this register is written by the microprocessor, these different bits mean:

- READ : READ C/I MEMORY
 READ = 1, READ C/I MEMORY.
 READ = 0, WRITE C/I MEMORY.
- CA 0/2 : TRANSMIT COMMAND/INDICATE MEMORY ADDRESS
 CA0/2: These bits define one of eight Command/Indicate Channels.
- G0 : This bit defines one of two GCI multiplexes.
 G0 = 0, TDM4 is selected.
 G0 = 1, TDM5 is selected.
- C6/1 : New Primitive to be transmitted
 C6 is transmitted first if ANA = 1.
 C4 is transmitted first if ANA = 0.
- D : Destination; this bit defines the destination of bit 0 to 5.
 D=0: the primitive C6 to C1 is transmitted directly into GCI channel defined by G0 and CA 0/2
 D=1: the 6 bit word A, E, S1, S2, S3, S4 is put instead of the six bits received latest during the timeslot 4n+3 (GCI channel defined by G0 and CA 0/2) and transmitted into any selected output timeslot after switching.

bit15						bit8		bit7		bit0					
D=0	G0	CA2	CA1	CA0	READ	0	0	Nu	Nu	C6	C5	C4	C3	C2	C1
D=1	G0	CA2	CA1	CA0	READ	0	0			A	E	S1	S2	S3	S4

- C6/1 : New Primitive to be transmitted to the selected GCI channel (DOUT4 or DOUT5)
- A, E, : New 6 bit word to be transmitted into any output timeslot.
 S1 to S4



The New Primitive is taken into account by the transmitter after writing bits 8 to 15 (if 8bit microprocessor).

Transmit Command/Indicate Register (after reading)

bit15		bit8 bit7								bit0					
D=0	G0	CA2	CA1	CA0	READ	Nu	Nu	PT1	PT0	C6	C5	C4	C3	C2	C1
D=1	G0	CA2	CA1	CA0	READ	Nu	Nu	PT1	PT0	A	E	S1	S2	S3	S4

When this register is read by the microprocessor, these different bits mean:

READ : READ C/I MEMORY

READ = 1, READ C/I MEMORY.
READ = 0, WRITE C/I MEMORY.

CA 0/2 : TRANSMIT C/I ADDRESS

CA0/2: These bits define one of eight Command/Indicate Channels.

G0 : This bit defines one of two GCI multiplexes.

G0 = 0, TDM4 is selected.
G0 = 1, TDM5 is selected.

D : Destination. This bit defines the destination of bits 0 to 5.

D=0: the destination is a GCI channel defined by G0 and CA0/2.

D=1: the destination is any TDM (after switching).

C6/1 : Last Primitive transmitted. Case of D=0

A, E, : 6 bit word transmitted. Case of D=1.

S1 to S4

PT0/1 : Status bits

P1	P0	Primitive Status
0	0	Primitive has not been transmitted yet.
0	1	Primitive has been transmitted once.
1	0	Primitive has been transmitted twice.
1	1	Primitive has been transmitted three times or more.

VI.23 - Transmit Monitor Address Register

TMAR (2C)_H

bit15		bit8 bit7								bit0					
0	G0	MA2	MA1	MA0	READ	Nu	Nu	Nu	Nu	TIV	FABT	L	NOB	0	Nu
After reset (000F) _H															

When this register is written by the microprocessor, these different bits mean:

READ : READ MON MEMORY

READ=1, READ MON MEMORY.
READ=0, WRITE MON MEMORY.

MA 0/2 : TRANSMIT MONITOR ADDRESS

MA 0/2: These bits define one of eight Monitor Channel if validated.

G0 : This bit defines one of two GCI multiplexes.

G0 = 0, TDM4 is selected.
G0 = 1, TDM5 is selected.

NOB : NUMBER OF BYTE to be transmitted

NOB = 1, One byte to transmit.
NOB = 0, Two bytes to transmit.

- L : Last byte
 L = 1, the word (or the byte) located in the Transmit Monitor Data Register (TMDR) is the last.
 L = 0, the word (or the byte) located in the Transmit Monitor Data Register (TMDR) is not the last.
- FABT : FABT = 1, the current message is aborted by the transmitter.
- TIV : Timer interrupt is Validated
 TIV = 1, Time Out alarm generates an interrupt when the timer has expired.
 TIV = 0, Time Out alarm is masked.

If 8 bit microprocessor the Data (TMDR Register) is taken into account by the transmitter after writing bits 8 to 15 of this register.

Transmit Monitor Address Register (after reading)

bit15					bit8				bit7				bit0		
0	G0	MA2	MA1	MA0	READ	Nu	Nu	Nu	Nu	TO	ABT	L	NOBT	EXE	IDLE

When this register is read by the microprocessor, these different bits mean:

- READ, MA0/2, G0 have same definition as already described for the write register cycle.
- IDLE : When this bit is at "1", IDLE (all 1's) is transmitted during the channel validation.
- EXE : EXECUTED
 When this status bit is at "1", the command written previously by the microprocessor has been executed and a new word can be stored in the Transmit Monitor Data Register (TMDR) by the microprocessor.
 When this bit is at "0", the command written previously by the microprocessor has not yet been executed.
- NOBT : NUMBER OF BYTE which has been transmitted.
 NOBT = 1, the first byte is transmitting.
 NOBT = 0, the second byte is transmitting, the first byte has been transmitted.
- L : Last byte, this bit is the L bit which has been written by the microprocessor.
- ABT : ABORT
 ABT=1, the remote receiver has aborted the current message.
- TO : Time Out one millisecond
 TO = 1, the remote receiver has not acknowledged the byte which has been transmitted one millisecond ago.

VI.24 - Transmit Monitor Data Register

TMDR (2E)_H

bit15					bit8				bit7				bit0		
M18	M17	M16	M15	M14	M13	M12	M11	M08	M07	M06	M05	M04	M03	M02	M01
After reset (FFFF) _H															

- M08/01 : First Monitor Byte to transmit. M08 bit is transmitted first.
- M18/11 : Second Monitor Byte to transmit if NOB = 0 (bit of TMAR). M18 bit is transmitted first.



VI.25 - Transmit Monitor Interrupt Register**TMIR (30)_H**

bit15	TDM5							bit8	bit7	TDM4						bit0
MI71	MI61	MI51	MI41	MI31	MI21	MI11	MI01	MI70	MI60	MI50	MI40	MI30	MI20	MI10	MI00	
After reset (0000) _H																

When the microprocessor read this register, this register is reset (0000)_H.

MI_{xy} : Transmit Monitor Channel x Interrupt, Multiplex y with:
 $0 \leq x \leq 7$, 1 of 8 GCI CHANNELS belonging to the same multiplex TDM4 or TDM5
 $y = 0$, GCI CHANNEL belongs to the multiplex TDM4 and $y = 1$ to TDM5.

MI_{xy} = 1 when:

- a word has been transmitted and pre-acknowledged by the Transmit Monitor Channel xy (In this case the Transmit Monitor Data Register (TMDR) is available to transmit a new word) or
- the message has been aborted by the remote receive Monitor Channel or
- the Timer has reached one millisecond (in accordance with TIV bit of TMAR) by IM3 bit of IMR.

When MI_{xy} goes to “1”, the Interrupt MTX bit of IR is generated. Interrupt MTX can be masked.

VI.26 - Memory Interface Configuration Register**MICR (32)_H**

bit15								bit8	bit7	bit0					
P41	P40	P31	P30	P21	P20	P11	P10	Nu	Nu	Nu	Nu	Nu	Nu	Nu	REF
After reset (0000) _H															

REF : MEMORY REFRESH

REF=1, SDRAM REFRESH is validated

REF=0, SDRAM REFRESH is not validated

P1 E0/1 PRIORITY 1 for entity defined by E0/1

P2 E0/1 PRIORITY 2 for entity defined by E0/1

P3 E0/1 PRIORITY 3 for entity defined by E0/1

P4 E0/1 PRIORITY 4 for entity defined by E0/1

Entity definition:

E 1	E 0	Entity
0	0	Rx DMA Controller
0	1	Microprocessor
1	0	Tx DMA Controller
1	1	Interrupt Controller

PRIORITY 5 is the last priority for SDRAM Refresh if validated. SDRAM Refresh obtains PRIORITY 0 (the first priority) automatically when the first half cycle is spend without access to memory.

After reset (E400)_H,

the Rx DMA Controller has the PRIORITY 1

the Microprocessor has the PRIORITY 2

the Tx DMA Controller has the PRIORITY 3

the Interrupt Controller has the PRIORITY 4

VI.27 - Initiate Block Address Register 1

IBAR1 (34)_H

bit15				bit8				bit7				bit0			
A23	A22	A21	A20	A19	A18	A17	A16	A15	A14	A13	A12	A11	A10	A9	A8
After reset (0000) _H															

A8/23 : Address bits. These 16 bits are the segment address bits of the Initiate Block (A8 to A23 for the external memory).The offset is zero (A0 to A7 ="0").

This register concerns the first 32 HDLC Controller 1 named HDLC 1 connected to Din7/Dout7 of the switching matrix. The Interrupt Queue is common for the first HDLC Controller1 and for the second HDLC Controller 2. So this register concerns the location of the Interrupt Queue. The location of the Interrupt Queue is found from the contents of this first IBAR Register 1 (34)_H.

A8/23 : Address bits. These 16 bits are the segment address bits of the Initiate Block (A8 to A23 for the external memory in the MHDLC address space).The offset is zero (A0 to A7 ="0").

The Initiate Block Address (IBA1) is:

23													8				7				0						
A23	A22	A21	A20	A19	A18	A17	A16	A15	A14	A13	A12	A11	A10	A9	A8	0	0	0	0	0	0	0	0	0	0	0	0

The 23 more significant bits define one of 8 Megawords. (One word comprises two bytes.)
 The least significant bit defines one of two bytes when the microprocessor selects one byte.

Example: MHDLC device address inside μP mapping = 100000H
 Initiate Block for HDLC1 address inside μP mapping = 110000H
 IBAR1 value = (110000 - 100000)/256 = 100H

VI.28 - Interrupt Queue Size Register

IQSR(36)_H

bit15				bit8				bit7				bit0			
TBFS	0	0	0	0	0	0	0	HS2	HS1	HS0	MS2	MS1	MS0	CS1	CS0
After reset (0000) _H															

CS0/1 : Command/Indicate Interrupt Queue Size
 These two bits define the size of Command/Indicate Interrupt Queue in external memory.
 The location is IBA + 256 + HDLC Queue size + Monitor Channel Queue Size (see The Initiate Block Address (IBA)).

MS0/2 : Monitor Channel Interrupt Queue Size
 These three bits define the size of Monitor Channel Interrupt Queue in external memory.
 The location is IBA + 256 + HDLC Queue size.



HS0/2 : HDLC Interrupt Queue Size

These three bits define the size of HDLC status Interrupt Queue in external memory for each channel.

The location is IBA+256 (see The Initiate Block Address (IBA))

HS2	HS1	HS0	HDLC Queue Size	MS2	MS1	MS0	MON Queue Size	CS1	CS0	C/I Queue Size
0	0	0	128 words	0	0	0	128 words	0	0	64 words
0	0	1	256 word	0	0	1	256 word	0	1	128 words
0	1	0	384 words	0	1	0	384 words	1	0	192 words
0	1	1	512 words	0	1	1	512 words	1	1	256 words
1	0	0	640 words	1	0	0	640 words			
1	0	1	768 words	1	0	1	768 words			
1	1	0	896 words	1	1	0	896 words			
1	1	1	1024 words	1	1	1	1024 words			

TBFS : Time Base running with Frame Synchronisation signal

TBFS=1, the Time Base defined by the Timer Register (see page 84) is running on the rising edge of Frame Synchronisation signal.

TBFS=0, the Time Base defined by the Timer Register is running on the rising edge of MCLK signal.

VI.29 - Interrupt Register**IR (38)_H**

bit15		bit8 bit7										bit0			
Nu	Nu	SFCO	PRSR	TIM	INT FOV	INT FWAR	Tx FOV	Tx FWAR	Rx FOV	Rx FWAR	ICOV	MTX	MRX	C/IRX	HDLC
After reset (0000) _H															

This register is read only.

When this register is read by the microprocessor, this register is reset (0000)_H.

If not masked, each bit at "1" generates "1" on INTO pin.

Bit 0 and bit 5 to 10 are common to 64 HDLC controllers.

- HDLC** : HDLC INTERRUPT
 HDLC = 1, Tx HDLC or Rx HDLC has generated an interrupt The status is in the HDLC queue.
- C/IRX** : Command/Indicate Rx Interrupt
 C/IRX = 1, Rx Command/Indicate has generated an interrupt. The status is in the HDLC queue.
- MRX** : Rx MONITOR CHANNEL INTERRUPT
 MRX = 1, one Rx MONITOR CHANNEL has generated an interrupt. The status is in the Rx Monitor Channel queue
- MTX** : Tx MONITOR CHANNEL INTERRUPT
 MTX = 1, one or several Tx MONITOR CHANNELS have generated an interrupt. Transmit Monitor Interrupt Register (TMIR) indicates the Tx Monitor Channels which have generated this interrupt.
- ICOV** : INTERRUPT CIRCULAR OVERLOAD
 ICOV = 1, One of three circular interrupt memories is completed.

- RxFWAR : Rx DMA CONTROLLER FIFO WARNING
RxFWAR = 1, Rx DMA CONTROLLER has generated an interrupt, its fifo is 3/4 completed.
- RxFOV : Rx DMA CONTROLLER FIFO OVERLOAD
RxFOV = 1, Rx DMA CONTROLLER has generated an interrupt, it cannot transfer data from Rx HDLC to external memory, its fifo is completed.
- TxFWAR : Tx DMA CONTROLLER FIFO WARNING
TxFWAR = 1, Tx DMA CONTROLLER has generated an interrupt, its fifo is 3/4 completed.
- TxFOV : Tx DMA CONTROLLER FIFO OVERLOAD
TxFOV = 1, Tx DMA CONTROLLER has generated an interrupt, it cannot transfer data from Tx HDLC to external memory, its fifo is completed.
- INTFWAR: INTERRUPT CONTROLLER FIFO WARNING
INTFWAR = 1, INTERRUPT CONTROLLER has generated an interrupt, its fifo is 3/4 completed.
- INTFOV : INTERRUPT CONTROLLER FIFO OVERLOAD
INTFOV = 1, INTERRUPT CONTROLLER has generated an interrupt, it cannot transfer status from DMA and GCI controllers to external memory, its internal fifo is completed.
- TIM : TIMER
TIM = 1, the programmable timer has generated an interrupt.
- PRSR : Pseudo Random Sequence Recovered
PRSR = 1, the Pseudo Random Sequence transmitted by the generator has been recovered by the analyser.
- SFCO : Sequence Fault Counter Overload
SFCO = 1, the Fault Counter has reached the value FFFF(H).

VI.30 - Interrupt Mask Register

IMR (3A)_H

bit15												bit8 bit7		bit0	
Nu	Nu	IM13	IM12	IM11	IM10	IM9	IM8	IM7	IM6	IM5	IM4	IM3	IM2	IM1	IM0
After reset (FFFF) _H															

- IM13/0: INTERRUPT MASK 0/7
- When IM0 = 1, HDLC bit is masked.
 - When IM1 = 1, C/IRX bit is masked.
 - When IM2 = 1, MRX bit is masked.
 - When IM3 = 1, MTX bit is masked.
 - When IM4 = 1, ICOV bit is masked.
 - When IM5 = 1, RxFWAR bit is masked.
 - When IM6 = 1, RxFOV bit is masked.
 - When IM7 = 1, TxFWAR bit is masked.
 - When IM8 = 1, TxFOV bit is masked.
 - When IM9 = 1, INTFWAR bit is masked.
 - When IM10 = 1, INTFOV bit is masked.
 - When IM11 = 1, TIM bit is masked.
 - When IM12 = 1, PRSR bit is masked.
 - When IM13 = 1, SFCO bit is masked.

VI.31 - Timer Register 1**TIMR1 (3C)_H**

bit15				bit8								bit7				bit0	
S3	S2	S1	S0	MS9	MS8	MS7	MS6	MS5	MS4	MS3	MS2	MS1	MS0	MM1	MM0		
0 to 5s				0 to 999ms											0 to 3x0.25ms		
After reset (0800) _H																	

This programmable register indicates the time at the end of which the Watch Dog delivers logic “1” on the pin WDO (which is an output) but only if the microprocessor does not reset the counter assigned (with the help of WDR bit of IDCR (Identification and Dynamic Command Register) during the time defined by the Timer Register. When the microprocessor does not reset the counter, the pin WDO delivers logic “1” as soon as delta T plus programmed time are reached. (delta T from one to two clock periods of the associated counter).

Remark:

the time indicated in this register is obtained when the clock period of the associated counter is 250 microseconds. The minimum programmable time is four clock periods (1 millisecond in this case); the duration of the pulse delivered by the pin WDO is one clock period (250 microseconds).

The Timer Register and its counter can be used as a time base by the microprocessor. An interrupt (TIM) is generated at each period defined by the Timer Register if the microprocessor does not reset the counter. To reset the counter, WDR (bit of IDCR) must be set to “1” by the microprocessor.

The Watch Dog or the Timer is incremented by the Frame Synchronisation clock divided by two (TBFS=1) or by a submultiple of MCLK signal (TBFS=0; TBFS, bit of Interrupt Queue Size Register).

Example:

TBFS=1 if the Frame Synchronisation clock is at 8 kHz, the period of the counter clock is 250 microseconds

TBFS=0 if MCLK clock is at 32768 kHz the clock period of the counter is 250 microseconds (inverse of 32768kHz divided by 8192).

When TSV=1{bit of General Configuration Register} this programmable register (TIMR1) is not significant.

VI.32 - Test Register**TR (3E)_H**

bit15				bit8								bit7				bit0	
r	e	s	e	r	v	e	d	r	e	s	e	r	v	e	d		

T15/0 : Test bits 0/15

These bits are reserved for the test of the circuit in production. The use of these bits is forbidden.

VI.33 - General Configuration Register 2

GCR2 (42)_H

bit15			bit8					bit7		bit0					
Nu	Nu	Nu	Nu	Nu	Nu	Nu	Nu	Nu	SWAP	D6	BYP	NINIT	0	MC1	MC0
After reset (0000) _H id 512ms															

MC0/1 : Master Clock0/1

MC0/1: these two bits take into account the signal applied on MCLK pin. So whatever the frequency may be, the internal circuit operates with the appropriate internal clock and the exchanges between Multi-HDLC and SDRAM are at the Master Clock frequency.

MC1	MC0	Signal applied on MCLK pin	Exchanges between Multi-HDLC and SDRAM with common clock at
0	0	66MHz	66MHz
0	1	50MHz	50MHz
1	0	33MHz	33MHz
1	1	Not used	Not used

The duration of the pulse named token ring is equal to the period of master clock applied to MCLK pin.

NINIT : NOT INIT

NINIT=1; when the microprocessor writes the SDRAM register with NINIT=1, the SDRAM will not be initialized.

NINIT=0; when the microprocessor writes the SDRAMR register with NINIT=0, the SDRAM will be initialized in accordance with LT0/2 bits (of SDRAMR).

In case of several Multi-HDLC's connected to the same memory, only one of them initializes and refreshes the SDRAM.

So the GCR2 registers of these Multi-HDLC's are same contents except this bit which initializes the SDRAM.

BYP : BYPASS

BYPASS=1; the write FIFO and the read fetch memory located in the microprocessor interface are bypassed.

BYPASS=0; the write FIFO and the read fetch memory located in the microprocessor interface are used when the microprocessor accesses the shared memory.

D6 : HDLC2 connected to MATRIX

D6=1, the transmit HDLC2 is connected to matrix input 6, the DIN6 signal is ignored.

SWAP SWAP=1

The first byte (named 2b) of frames received (or transmitted) by the HDLCs is stored in bit 8/15 of the shared memory (or located in bit 8/15); the first bit received is stored in bit 8 of the shared memory.

The first bit to be transmitted is located in bit 8 of the shared memory.

The second byte (named 2b+1) of the frame received (or transmitted) by the HDLCs is stored in bit 0/7 of the shared memory; the first bit of the second byte received is stored in bit 0 of the shared memory.

The ninth bit to be transmitted is located in bit 0 of the shared memory.

The bytes named (2b) are located in bit 8/15 of the shared memory; b from 0 to 2047.

The bytes named (2b+1) are located in bit 0/7 of the shared memory.

SWAP=0

The first byte (named 2b) of frames received (or transmitted) by the HDLCs is stored in bit 0/7 of the shared memory (or located in bit 0/7); the first bit received is stored in bit 0 of the shared memory.

The first bit to be transmitted is located in bit 0 of the shared memory.

The second byte (named 2b+1) of the frame received (or transmitted) by the HDLCs is stored in bit 8/15 of the shared memory; the first bit of the second received is stored in bit 8 of the shared memory.

The ninth bit to be transmitted is located in bit 8 of the shared memory.

The bytes named (2b) are located in bit 0/7 of the shared memory; b from 0 to 2047

The bytes named (2b+1) are located in bit 8/15 of the shared memory.

VI.34 - Split Fetch Memory Register**SFMR (4E)_H**

bit15				bit8 bit7								bit0			
A23	A22	A21	A20	A19	A18	A17	A16	Nu	Nu	Nu	Nu	Nu	Nu	NAB	FFA
After reset (0000) _H															

This register must be programmed after reset before the first SDRAM access. Writing register is forbidden between two SDRAM accesses.

FFA : Fast Fetch memory Access. This bit is taken into account only when synchronous 386EX microprocessor is selected.

FFA = 1; in case of read from synchronous 386EX microprocessor

- if LBA delivered by the microprocessor is at "1",
- if the word is already in the Fetch memory,
- if the Write FIFO is empty,
- if no current burst due to a previous read Access

then there is no Twait.

FFA = 0; in case of read from synchronous 386EX microprocessor with the same conditions described above there is one Twait.

NAB : No Anticipation Burst

NAB = 1.

A read burst is generated only when a word required by the microprocessor is not present in the fetch memory. No anticipation is done for potential further accesses.

NAB = 0.

An anticipation is added to the fetch memory management.

If one of four words of a burst is read by the microprocessor in the fetch memory and if the following four words are not present and valid in the fetch memory,

then the following four words are transferred automatically by anticipation from SDRAM to the fetch memory.

A16/23: These 8 bits define two areas of the shared Memory; each area is multiple of 64Kbytes. The shared Memory is split in two parts:
 the upper part of the shared Memory is affected to the first half part of the Fetch Memory located in the microprocessor interface,
 the lower part is affected to the second half part of the Fetch Memory.
 Particular case: A16/23=0. One area of the shared Memory is defined, the two parts of the Fetch Memory are merged.

VI.35 - Time Slot Assigner Address Register 2 **TAAR2 (54)H**

bit15					bit8		bit7								bit0	
TS4	TS3	TS2	TS1	TS0	READ	Nu	HDI	r	e	s	e	r	v	e	d	
After reset (0100) _H																

This register concerns the second 32 HDLC controller named HDLC2 connected to input6/output6 of the switching matrix.

- READ : READ MEMORY
 READ = 1, Read Time slot Assigner Memory 2.
 READ = 0, Write Time slot Assigner Memory 2.
- TS0/4 : TIME SLOTS0/4
 These five bits define one of 32 time slots in which a channel is set-up or not.
- HDI : HDLC2 INIT
 HDI = 1, TSA2 Memory, Tx HDLC2, Tx DMA2, Rx HDLC2, Rx DMA2 are reset. An automate writes data from Time slot Assigner Data Register 2 (TADR2) (except CH0/4 bits) into each TSA Memory location. If the microprocessor reads Time slot Assigner Memory 2 after HDLC2 INIT, CH0/4 bits of Time slot Assigner Data Register are identical to TS0/4 bits of Time slot Assigner Address Register 2.
 HDI = 0, Normal state.

- N.B. After software reset (bit 2 of IDCR Register) or pin reset the automate above mentioned is working. The automate is stopped when the microprocessor writes TAAR Register with HDI = 0.

VI.36 - Time Slot Assigner Data Register 2 **TADR2 (56)H**

bit15					bit8		bit7								bit0	
V11	V10	V9	V8	V7	V6	V5	V4	V3	V2	V1	CH4	CH3	CH2	CH1	CH0	
After reset (0000) _H																

This register concerns the second 32 HDLC controller named HDLC2 connected to input6/output6 of the switching matrix

- CH0/4 : CHANNEL0/4
 These five bits define one of 32 channels associated to time slot defined by the previous Register 2(TAAR2).
- V1/8 : VALIDATION
 The logical channel CHx is constituted by each subchannel 1 to 8 and validated by V1/8 bit at 1 respectively.
 V1 to V8 are at "0": the subchannels are ignored.
 V1 corresponds to the first bit received during the current time slot.
 V1 at 1: the first bit of the current time slot is taken into account in reception and in transmission the first bit transmitted is taken into account.
 V8 at 1: the last bit of the current time slot is taken into account in reception the last bit received and in transmission the last bit transmitted in transmission.

- V9 : VALIDATION SUBCHANNEL
 V 9 = 1, each V1/8 bit is taken into account once every 250µs.
 In *transmit direction*, data is transmitted consecutively during the time slot of the current frame and during the same time slot of the next frame. Id est.: the same data is transmitted in two consecutive frames.
 In *receive direction*, HDLC controller fetches data during the time slot of the current frame and ignores data during the same time slot of the next frame.
 V 9 = 0, each V1/8 bit is taken into account once every 125µs.
- V10 : DIRECT MHDLC ACCESS
 If V10 = 1, the Rx HDLC Controller 2 receives data issued from DIN9 input during the current time slot (bits validated by V1/8) and DOUT7 output transmits data issued from the Tx HDLC Controller 2.
 If V10 = 0, the Rx HDLC Controller2 receives data issued from the matrix output 6 during the current time slot; DOUT7 output delivers data issued from the matrix output 7 during the same current time slot.
 N.B: If D6 = 1, bit of General Configuration Register GCR2, the Tx HDLC controller 2 is connected to matrix input 6 continuously so the HDLC frames can be sent to any DOUT (i.e. DOUT0 to DOUT7) from the TX HDLC Controller2.
- V11 : VALIDATION of CB2 pin
 This bit is not taken into account if CSMA = 1 (HDLC Transmit Command Register 2).
 if CSMA = 0:
 V11 = 1, Contention Bus 2 pin is validated and Echo 2 pin (which is an input) is not taken into account.
 V11 = 0, Contention Bus 2 pin is high impedance during the current time slot (This pin is an open drain output).

VI.37 - HDLC Transmit Command Register 2**HTCR2 (58)_H**

bit15					bit8					bit7					bit0				
CH4	CH3	CH2	CH1	CH0	READ	Nu	CF	PEN	CSMA	NCRC	F	P1	P0	C1	C0				
After reset (0000) _H																			

READ : READ COMMAND MEMORY

READ = 1, READ COMMAND MEMORY.

READ = 0, WRITE COMMAND MEMORY.

CH0/4 : These five bits define one of 32 channels of the second 32 HDLC controller named HDLC 2 connected to input6/output6 of the switching matrix.

C1/C0 : COMMAND BITS

C1	C0	Command Bits
0	0	ABORT; if this command occurs during the current frame, HDLC Controller transmits seven "1" immediately, afterwards HDLC Controller transmits "1" or flag in accordance with F bit, generates an interrupt and waits new command such as START or CONTINUE. If this command occurs after transmitting a frame, HDLC Controller generates an interrupt and waits a new command such as START or CONTINUE.
0	1	START; Tx DMA Controller is now going to transfer first frame from buffer related to initial descriptor. The initial descriptor address is provided by the Initiate Block located in external memory.
1	0	CONTINUE; Tx DMA Controller is now going to transfer next frame from buffer related to next descriptor. The next descriptor address is provided by the previous descriptor from which the related frame had been already transmitted.
1	1	HALT; after transmitting frame, HDLC Controller transmits "1" or flag in accordance with F bit, generates an interrupt and is waiting new command such as START or CONTINUE.

C1/C0 : STATUS BITS

C1	C0	STATUS BITS read by the microprocessor
0	0	ABORT; the microprocessor has written ABORT or the transmitted frame has been aborted by the HDLC Controller2 and it waits new command such as START or CONTINUE.
0	1	START; the microprocessor has written START.The HDLC Controller2 has not taken into account the command yet.
1	0	CONTINUE; the HDLC Controller2 has taken into account the command START. TX DMA Controller is transferring frames.
1	1	CONTINUE; Tx DMA Controller is now going to transfer next frame from buffer related to next descriptor. The next descriptor address is provided by the previous descriptor from which the related frame had been already transmitted.

P0/1 : PROTOCOL BITS

P1	P0	Transmission Mode
0	0	HDLC
0	1	Transparent Mode 1 (one byte per timeslot); the fill character defined in FCR Register is taken into account.
1	0	Transparent Mode 2 (one byte per timeslot); the fill character defined in FCR Register is not taken into account.
1	1	Reserved

F : Flag

F = 1; flags are transmitted between closing flag of current frame and opening flag of next frame.
 F = 0; "1" are transmitted between closing flag of current frame and opening flag of next frame.

NCRC : CRC NOT TRANSMITTED

NCRC = 1, the CRC is not transmitted at the end of the frame.
 NCRC =0, the CRC is transmitted at the end of the frame.

CSMA : Carrier Sense Multiple Access with Contention Resolution

CSMA = 1, CB2 output and the Echo Bit EC2 are taken into account during this channel transmission by the TxHDLC2.
 CSMA = 0, CB2 output and the Echo Bit EC2 are defined by V11 (see "Time slot Assigner Data Register 2 TADR2(56)_H").

PEN : CSMA PENALTY significant if CSMA = 1

PEN = 1, the penalty value is 1; a transmitter which has transmitted a frame correctly will count (PRI +1) logic one received from Echo pin before transmitting next frame. (PRI, priority class 8 or 10 given by the buffer descriptor related to the frame).
 PEN = 0, the penalty value is 2; a transmitter which has transmitted a frame correctly will count (PRI +2) logic one received from Echo pin before transmitting next frame. (PRI, priority class 8 or 10 given by the transmit descriptor related to the frame).

CF : Common flag

CF = 1, the closing flag of previous frame and opening flag of next frame are identical if the next frame is ready to be transmitted.
 CF = 0, the closing flag of previous frame and opening flag of next frame are distinct.

VI.38 - HDLC Receive Command Register 2

HRCR2 (5A)_H

bit15					bit8					bit7		bit0			
CH4	CH3	CH2	CH1	CH0	READ	AR21	AR20	AR11	AR10	CRC	FM	P1	P0	C1	C0
After reset (0000) _H															



READ : READ COMMAND MEMORY

READ = 1, READ COMMAND MEMORY.

READ = 0, WRITE COMMAND MEMORY.

CH0/4 : These five bits define one of 32 channels of the second 32 HDLC Controller2 named HDLC controller2 connected to linut6/output6 of the switching matrix

C1/C0 : COMMAND

C1	C0	Command Bits
0	0	ABORT; if this command occurs during receiving a current frame, HDLC Controller stops the reception, generates an interrupt and waits new command such as START or CONTINUE. If this command occurs after receiving a frame, HDLC Controller generates an interrupt and waits a new command such as START or CONTINUE.
0	1	START; Rx DMA Controller is now going to transfer first frame into buffer related to the initial descriptor. The initial descriptor address is provided by the Initiate Block located in external memory.
1	0	CONTINUE; Rx DMA Controller is now going to transfer next frame into buffer related to next descriptor. The next descriptor address is provided by the previous descriptor from which the related frame had been already received.
1	1	HALT; after receiving a frame, HDLC Controller stops the reception, generates an interrupt and waits a new command such as START or CONTINUE.

C1/C0 : STATUS BITS

C1	C0	Status Bits read by the microprocessor
0	0	ABORT; the received current frame has been aborted (seven "1" at least have been received) or the microprocessor has written ABORT. The HDLC Controller2 waits a new command such as START or CONTINUE
0	1	START; the microprocessor has written START. The HDLC Controller2 has not taken into account the command yet.
1	0	CONTINUE; RX DMA Controller is transferring frames
1	1	HALT; HDLC Controller2 stops the reception, generates an interrupt and waits a new command such as START or CONTINUE.

P0/1 : PROTOCOL BITS

P1	P0	Transmission Mode
0	0	HDLC
0	1	Transparent Mode 1 (one byte per timeslot); the fill character defined in FCR Register is taken into account.
1	0	Transparent Mode 2 (one byte per timeslot); the fill character defined in FCR Register is not taken into account.
1	1	Reserved

FM : Flag Monitoring

This bit is a status bit read by the microprocessor.

FM=1: HDLC Controller 2 is receiving a frame or HDLC Controller 2 has just received one flag.

FM is put to 0 by the microprocessor.

CRC : CRC stored in external memory

CRC = 1, the CRC is stored at the end of the frame in external memory.

CRC = 0, the CRC is not stored into external memory.

- AR10 : Address Recognition10
 AR10 = 1, First byte after opening flag of received frame is compared to AF0/7 bits of AFRDR. If the first byte received and AF0/7 bits are not identical the frame is ignored.
 AR10 = 0, First byte after opening flag of received frame is not compared to AF0/7 bits of AFRDR Register.

- AR11 : Address Recognition 11
 AR11 = 1, First byte after opening flag of received frame is compared to all "1"s.If the first byte received is not all "1"s the frame is ignored.
 AR11 = 0, First byte after opening flag of received frame is not compared to all "1"s.

- AR20 : Address Recognition 20
 AR20 = 1, Second byte after opening flag of received frame is compared to AF8/15 bits of AFRDR Register. If the second byte received and AF8/15 bits are not identical the frame is ignored.
 AR20 = 0, Second byte after opening flag of received frame is not compared to AF8/15 bits of AFRDR Register.

- AR21 : Address Recognition 21
 AR21 = 1, Second byte after opening flag of received frame is compared to all "1"s. If the Second byte received is not all "1"s the frame is ignored.
 AR21 = 0, Second byte after opening flag of received frame is not compared to all "1"s.

Second Byte		First Byte		Conditions to Receive a Frame
AR21	AR20	AR11	AR10	
0	0	0	0	Each frame is received without condition.
0	0	0	1	Only value of the first received byte must be equal to that of AF0/7 bits.
0	0	1	0	Only value of the first received byte must be equal to all "1"s.
0	0	1	1	The value of the first received byte must be equal <u>either</u> to that of AF0/7 <u>or</u> to all "1"s.
0	1	0	0	Only value of the second received byte must be equal to that of AF8/15 bits.
0	1	0	1	The value of the first received byte must be equal to that of AF0/7 bits <u>and</u> the value of the second received byte must be equal to that of AF8/15 bits.
0	1	1	0	The value of first received byte is must be equal to all "1"s <u>and</u> the value of second received byte must be equal to that of AF8/15 bits.
0	1	1	1	The value of the first received byte must be equal either to that of AF0/7 or to all "1"s <u>and</u> the value of the second received byte must be equal to that of AF8/15 bits.
1	0	0	0	Only the value of the second received byte must be equal to all "1"s.
1	0	0	1	The value of the first received byte must be equal to that of AF0/7 bits <u>and</u> the value of the second received byte must be equal to all "1"s.

Second Byte		First Byte		Conditions to Receive a Frame
AR21	AR20	AR11	AR10	
1	0	1	0	The value of the first received byte must be equal to all "1"s <u>and</u> the value of the second received byte must be equal to "1" also.
1	0	1	1	The value of the first received byte must be equal either to that of AF0/7 or to "1" <u>and</u> the value of the second received byte must be equal to all "1"s.
1	1	0	0	The value of the second received byte must be equal <u>either</u> to that of AF8/15 <u>or</u> to all "1"s.
1	1	0	1	The value of the first received byte must be equal to that of AF0/7 bits <u>and</u> the value of the second received byte must be equal either to that of AF8/15 or to all "1"s.
1	1	1	0	The value of the first received byte must be equal to "1" <u>and</u> the value of the second received byte must be equal either to that of AF8/15 or to all "1"s.
1	1	1	1	The value of the first received byte must be equal either to that of AF0/7 or to "1" <u>and</u> the value of the second received byte must be equal either to that of AF8/15 or to all "1"s.

VI.39 - Address Field Recognition Address Register 2**AFRAR2 (5C)_H**

bit15				bit8				bit7				bit0			
CH4	CH3	CH2	CH1	CHO	READ	AMM	Nu	r	e	s	e	r	v	e	d
After reset (0000) _H															

The write operation is launched when AFRAR2 is written by the microprocessor.

AMM : Access to Mask Memory
 AMM=1, Access to Address Field Recognition Mask Memory.
 AMM=0, Access to Address Field Recognition Memory.

READ : READ ADDRESS FIELD RECOGNITION MEMORY
 READ=1, READ AFR MEMORY.
 READ=0, WRITE AFR MEMORY.

CH0/4 : In reception these five bits define one of 32 channels of the second 32 HDLC Controller 2 named HDLC 2 connected to Din6/Dout6 of the switching matrix.

VI.40 - Address Field Recognition Data Register 2**AFRDR2 (5E)_H**

bit15				bit8				bit7				bit0			
AF15/ AFM15	AF14/ AFM14	AF13/ AFM13	AF12/ AFM12	AF11/ AFM11	AF10/ AFM10	AF9/ AFM9	AF8/ AFM8	AF7/ AFM7	AF6/ AFM6	AF5/ AFM5	AF4/ AFM4	AF3/ AFM3	AF2/ AFM2	AF1/ AFM1	AF0/ AFM0
After reset (0000) _H															

AF0/15 : ADDRESS FIELD BITS if AMM=0 (AMM bit of AFRAR 2)
 AF0/7; First byte received; AF8/15: Second byte received.
 These two bytes are stored into Address Field Recognition Memory when AFRAR2 is written by the microprocessor(AMM=0).

AFM0/15 : ADDRESS FIELD BIT MASK0/15 if AMM=1 (AMM bit of AFRAR 2)
 AMF0/7. When AR10=1 (See HRCR2) each bit of the first received byte is compared respectively to AFx bit if AFMx=0. In case of mismatching, the received frame is ignored. If AFMx=1, no comparison between AFx and the corresponding received bit.
 AMF8/15. When AR20=1 (See HRCR2) each bit of the second received byte is compared respectively to AFy bit if AFMy=0. In case of mismatching, the received frame is ignored. If AFMy=1, no comparison between AFy and the corresponding received bit.
 These two bytes are stored into Address Field Recognition Mask Memory when AFRAR 2 is written by the microprocessor (AMM=1).

VI.41 - Fill Character Register 2

FCR2 (60)H

bit15				bit8				bit7				bit0			
r	e	s	e	r	v	e	d	FC7	FC6	FC5	FC4	FC3	FC2	FC1	FC0
After reset (0000)H															

FC0/7 : FILL CHARACTER (eight bits)
 In Transparent Mode M1, two messages are separated by FILL CHARACTERS and the detection of one FILL CHARACTER marks the end of a message.

VI.42 - SDRAM Mode Register

SDRAMR (72)H

bit15				bit8				bit7				bit5				bit4				bit0			
T	S	R	Nu	Nu	Nu	Nu	Nu	Nu	Nu	Nu	Nu	LT1	LT0	Nu	Nu	Nu	Nu	Nu	Nu				
After reset (0030)H																							

When the microprocessor writes in this SDRAM Mode register, the SDRAM controller initializes the SDRAM **if the NINIT bit of GCR2 is at 0**.

When the microprocessor reads this register, the SDRAM controller is not affected.

Some parameters are frozen:

The option field is: Burst Read and Single Write.

The Burst Length is 4.

The burst data is addressed in sequential mode

The programmable parameters are:

LT0/1 : Latency Mode

Three configurations are possible: NCAS Latency can be 1, 2 or 3)

LT1	LT0	NCAS Latency
0	0	Not allowed
0	1	1
1	0	2
1	1	3

The 12-bit word sent by the Multi-HDLC to initialize the SDRAM is:

bit15				bit11			bit8	bit7		bit5	bit4				bit0
Nu	Nu	Nu	Nu	0	0	1	0	0	LT2	LT1	LT0	WT	BL2	BL1	BL0
Nu	Nu	Nu	Nu	0	0	1	0	0	0	LT1	LT0	0	0	1	0

For information:

Option field: Burst Read and Single Write					Latency mode			Wrap type	Burst Length		
x	x	1	0	0	LT2	LT1	LT0	WT	BL2	BL1	BL0

For information:

LT2	LT1	LT0	NCAS latency
0	0	0	R
0	0	1	1
0	1	0	2
0	1	1	3
1	0	0	R
1	0	1	R
1	1	0	R
1	1	1	R

BL2	BL1	BL0	Burst Length WT=0	Burst Length WT=1
0	0	0	1	1
0	0	1	2	2
0	1	0	4	4
0	1	1	8	8
1	0	0	R	R
1	0	1	R	R
1	1	0	R	R
1	1	1	Full page	R

T,S,R : These three bits define the SDRAM circuit organisation (1word=2bytes)

T	S	R	SDRAM circuit organization (and shared RAM organization)	If refresh
0	0	0	(1Mx16) SDRAM circuit; shared RAM up to 4M words	2048 cycles / 32ms
0	0	1	(2Mx8) SDRAM circuit; shared RAM up to 8M words	4096 cycles / 64ms
0	1	0	(8Mx8) SDRAM circuit; shared RAM up to 8M words	4096 cycles / 64ms
0	1	1	(4Mx16) SDRAM circuit; shared RAM up to 8M words	4096 cycles / 64ms
1	0	0	Reserved	
1	0	1	Reserved	
1	1	0	Reserved	
1	1	1	Reserved	

VI.43 - Initiate Block Address Register 2

IBAR2 (74)H

bit15				bit8 bit7								bit0			
A23	A22	A21	A20	A19	A18	A17	A16	A15	A14	A13	A12	A11	A10	A9	A8
After reset (0000)H															

This register concerns the second 32 HDLC Controller 2 named HDLC 2 connected to input6/output6 of the switching matrix. The Interrupt Queue is common for the first HDLC Controller and for the second HDLC Controller 2. So this register doesn't concern the location of the Interrupt Queue. The location of the Interrupt Queue is found from the contents of the first IBAR1 register (34)H.

A8/23 : Address bits. These 16 bits are the segment address bits of the Initiate Block (A8 to A23 for the external memory in the MHDLC address space). The offset is zero (A0 to A7 = "0").

The Initiate Block Address (IBA2) is:

23											8 7				0									
A23	A22	A21	A20	A19	A18	A17	A16	A15	A14	A13	A12	A11	A10	A9	A8	0	0	0	0	0	0	0	0	0

The 23 more significant bits define one of 8 Megawords. (One word comprises two bytes.)
 The least significant bit defines one of two bytes when the microprocessor selects one byte.

Example: MHDLC device address inside μP mapping = 100000H
 Initiate Block for HDLC2 address inside μP mapping = 310000H
 IBAR2 value = (310000 - 100000)/256 = 2100H



VI.44 - Timer Register 2

TIMR2 (7C)_H

bit15				bit8								bit7				bit0	
S3	S2	S1	S0	MS9	MS8	MS7	MS6	MS5	MS4	MS3	MS2	MS1	MS0	MM1	MM0		
0 to 15s				0 to 999ms											0 to 3x0.25ms		
After reset (0780) _H id 480 ms																	

This programmable Timer Register 2 indicates the period of the Super Frame Synchronisation signal delivered by SFS pin (which is an output).

The duration of the signal is 250 microseconds. The minimum programmable period is 500 microseconds. The clock frequency of the associated counter is the frequency divided by two of FS Frame Synchronisation signal applied to FS pin (which is an input).

VII - EXTERNAL REGISTERS

These registers are located in shared memory. Initiate Block Address Registers (IBAR1 and IBAR2) give respectively the Initiate Block Address (IBA1 and IBA2) in shared memory.

From IBA1 the different addresses are obtained:

- Initialization Block address concerning the first HDLC Controller (HDLC1)
- HDLC interrupt Queue for the first HDLC Controller (HDLC1) and the second (HDLC2)
- MON interrupt Queue
- C/I interrupt Queue

From IBA1 only the following address is obtained:

- Initialization Block address concerning the second HDLC Controller (HDLC2)

'Not used' bits (Nu) are accessible by the microprocessor but the use of these bits by software is not recommended.

VII.1 - Initialization Block in External Memory (IBA1 and IBA2)

		Descriptor Address				
Channel		Address	bit15	bit8	bit7	bit0
CH 0	T	IBA+00	Not used			TDA High
		IBA+02	Transmit Descriptor Address (TDA Low)			
	R	IBA+04	Not used			RDA High
		IBA+06	Receive Descriptor Address (RDA Low)			
CH1	T	IBA+08	Not used			TDA High
		IBA+10	Transmit Descriptor Address (TDA Low)			
	R	IBA+12	Not used			RDA High
		IBA+14	Receive Descriptor Address (RDA Low)			
CH 2 to CH30		IBA+16 to IBA+246				
CH 31	T	IBA+248	Not used			TDA High
		IBA+250	Transmit Descriptor Address (TDA Low)			
	R	IBA+252	Not used			RDA High
		IBA+254	Receive Descriptor Address (RDA Low)			

When Direct Memory Access Controller receives START from one of 64 channels, it reads initialization block immediately to know the first address of the first descriptor for this channel.

Bit 0 of Transmit Descriptor Address (TDA Low) and bit 0 of Receive Descriptor Address (RDA Low), are at ZERO mandatory. This Least Significant Bit is not used by DMA Controller, the shared memory is always a 16 bit memory for the DMA Controller.

The Receive Descriptor Address (RDA) is never modified by the RX DMA Controller in this Initialization Block

N.B. If several descriptors are used to transmit the current frame then before transmitting frame, TX DMA Controller stores the address of the first Transmit Descriptor Address (TDA) into this Initialization Block if BOF bit is at "1" (See Transmit Descriptor).

VII.2 - Receive Descriptor

This receive descriptor is located in shared memory. The quantity of descriptors is limited by the memory size only.

	15	14	13	12	11	10	9	8	7	6	5	4	3	2	1	0
RDA+00		SIM	IBC	EOQ	Size Of the Buffer (SOB)											0
RDA+02	Not used							RBA High (8 bits)								
RDA+04	Receive Buffer Address Low (16 bits)															
RDA+06	Not used							NRDA High (8 bits)								
RDA+08	Next Receive Descriptor Address Low (16 bits)															
RDA+10	FR	ABT	OVF	FCR C	Number of Bytes Received (NBR)											

The 5 first words located in shared memory to RDA+00 from RDA+08 are written by the microprocessor and read by the DMAC only. The 6th word located in shared memory in RDA+10 is written by the DMAC only during the frame reception and read by the microprocessor.

- SOB : Size Of the Buffer associated to descriptor. These 12bits allows to reach 4096 bytes).
If SOB = 0, DMAC goes to next descriptor.
- RBA : Receive Buffer Address. LSB of RBA Low is at Zero mandatory.
- RDA : Receive Descriptor Address.
- NRDA : Next Receive Descriptor Address. LSB of NRDA Low is at Zero mandatory.
- NBR : Number of Bytes Received (up to 4096).

VII.2.1 - Bits written by the Microprocessor only

- IBC : Interrupt if the buffer has been completed.
IBC=1, the DMAC generates an interrupt if the buffer has been completed.
- EOQ : End Of Queue.
EOQ=1, the DMAC stops immediately its reception generates an interrupt (HDLC = 1 in IR) and waits a command from the HRCR (HDLC Receive Command Register).
EOQ=0, the DMAC continues.
- SIM : Signal Interrupt Mask
SIM=1, when an event occurs the RX DMAC thanks to Interrupt controller stores the features of this event in the HDLC Interrupt Queue but the Interrupt Register is not written. So there is no interrupt signal on INT0 pin.
SIM=0, when an event occurs the RX DMAC thanks to Interrupt controller stores the features of this event in the Interrupt Queue and the HDLC bit of the Interrupt Register is put at "1". So INT0 pin goes to Vcc if HDLC bit is not masked.

VII.2.2 - Bits written by the Rx DMAC only

FR	ABT	OVF	FCRC	Definition
1	0	0	0	The frame has been received without error. The end of frame is in this buffer.
1	0	0	1	The frame has been received with false CRC.
0	0	0	0	If NBR is different to 0, the buffer related to this descriptor is completed. The end of frame is not in this buffer.
0	0	0	0	If NBR is equal to 0, the Rx DMAC is receiving a frame.



FR	ABT	OVF	FCRC	Definition
0	1	0	0	ABORT. The received frame has been aborted by the remote transmitter or the local microprocessor.
0	1	1	0	OVERFLOW of FIFO. The received frame has been aborted.
0	1	0	1	The received frame had not an integer of bytes.

VII.2.3 - Receive Buffer

Each receive buffer is defined by its receive descriptor.
The maximum size of the buffer is 2048 words (1 word=2 bytes)

	15	0
RBA	First Buffer Location	
RBA + SOB-2	Last Location Available = Receive Buffer Address (RBA) + Size Of the Buffer (SOB-2)	

VII.3 - Transmit Descriptor

This transmit descriptor is located in shared memory. The quantity of descriptors is limited by the memory size only.

	15	14	13	12	11	10	9	8	7	6	5	4	3	2	1	0
TDA+00	BINT	BOF	EOF	EOQ	Number of Bytes to be Transmitted (NBT)											
TDA+02	Not used						CRCC	PRI	TBA High (8 bits)							
TDA+04	Transmit Buffer Address Low (16 bits)															
TDA+06	Not used								NTBA High (8 bits)							
TDA+08	Next Transmit Descriptor Address Low (16 bits)															
TDA+10	CFT	ABT	UND													

The 5 first words located in shared memory to TDA+00 from TDA+08 are written by the microprocessor and read by the DMAC only. The 6th word located in shared memory in TDA+10 is written by the DMAC only during the frame reception and read by the microprocessor.

NBT : Number of Bytes to be transmitted (up to 4096).

TBA : Transmit Buffer Address. LSB of TBA Low is at Zero mandatory.

TDA : Transmit Descriptor Address.

NTDA : Next Transmit Descriptor Address. LSB of NTDA Low is at Zero mandatory.

VII.3.1 - Bits written by the Microprocessor only

BINT : Interrupt at the end of the frame or when the buffer is become empty.

BINT = 1,

if EOF = 1 the DMAC generates an interrupt when the frame has been transmitted;

if EOF = 0 the DMAC generates an interrupt when the buffer is become empty.

BINT = 0, the DMAC does not generate an interrupt during the transmission of the frame.

- BOF : Beginning Of Frame
 BOF=1,the transmit buffer associated to this transmit descriptor contains the beginning of frame.
 The DMA Controller will store automatically the current descriptor address in the Initialization Block.
 BOF=0, the DMA Controller will not store the current descriptor address in the Initialization Block.
- EOF : End Of Frame
 EOF = 1,the transmit buffer associated to this transmit descriptor contains the end of frame.
 EOF = 0,the transmit buffer associated to this transmit descriptor does not contain the end of frame
- EOQ : End Of Queue
 EOQ = 1, the DMAC stops immediately its transmission, generates an interrupt (HDLC = 1 in IR) and waits a command from the HTCR (HDLC Transmit Command Register).
 EOQ = 0, the DMAC continues.
- CRCC : CRC Corrupted
 CRCC = 1,at the end of this frame the CRC will be corrupted by the Tx HDLC Controller.
- PRI : Priority Class 8 or 10
 PRI = 1, if CSMA/CR is validated for this channel, the priority class is 8.
 PRI = 0, if CSMA/CR is validated for this channel the priority class is 10.
 (see Register CSMA)

VII.3.2 - Bits written by the Tx DMAC only

- CFT : Frame correctly transmitted
 CFT = 1, the Frame has been correctly transmitted.
 CFT = 0, the Frame has not been correctly transmitted.
- ABT : Frame Transmitting Aborted
 ABT = 1, the frame has been aborted by the microprocessor during the transmission.
 ABT = 0, the microprocessor has not aborted the frame during the transmission.
- UND : Underrun
 UND = 1, the transmit FIFO has not been fed correctly during the transmission.
 UND = 0, the transmit FIFO has been fed correctly during the transmission.

VII.3.3 - Transmit Buffer

Each transmit buffer is defined by its transmit descriptor.
 The maximum size of the buffer is 2048 words (1 word=2 bytes)

	15	0
TBA	First Word to Transmit	
TBA + x; NBT is odd: x = NBT - 1 NBT is even: x = NBT - 2	Last Word to Transmit	

VII.4 - Receive & Transmit HDLC Frame Interrupt

bit15			bit8							bit7		bit 0			
NS	A5	Tx	A4	A3	A2	A1	A0	0	0	0	CFT/CFR	BE/BF	HALT	EOQ	RRLF/ERF

This word is located in the HDLC interrupt queue; IQSR Register indicates the size of this HDLC interrupt queue located in the external memory.

- NS** : New Status.
 Before writing the features of event in the external memory the Interrupt Controller reads the NS bit:
 if NS = 0, the Interrupt Controller puts this bit at '1' when it writes the status word of the frame which has been transmitted or received.
 if NS = 1, the Interrupt Controller puts ICOV bit at '1' to generate an interrupt (IR Register).
 When the microprocessor has read the status word, it puts this bit at '0' to acknowledge the new status. This location becomes free for the Interrupt Controller.
- A5** : 32 HDLC controller
 A5 = 1, Second 32 HDLC controller (connected to Dout6/ Din6 of the switching matrix).
 A5 = 0, First 32 HDLC controller (connected to Dout7/ Din7 of the switching matrix).

Transmitter

- Tx** : Tx = 1, Transmitter
- A4/0** : Tx HDLC Channel 0 to 31
- RRLF** : Ready to Repeat Last Frame
 In consequence of event such as Abort Command HDLC, Controller is waiting Start or Continue
- EOQ** : End of Queue
 The Transmit DMA Controller has encountered the current Transmit Descriptor with EOQ at "1".
 DMA Controller is waiting "Continue" from microprocessor.
- HALT** : The Transmit DMA Controller has received HALT from the microprocessor; it is waiting "Continue" from microprocessor.
- BE** : Buffer empty
 If BINT bit of Transmit Descriptor is at '1', the Transmit DMA Controller puts BE at "1" when the buffer has been emptied.
- CFT** : Correctly Frame Transmitted
 A frame has been transmitted. This status is provided only if BINT bit of Transmit Descriptor is at '1'. CFT is located in the last descriptor if several descriptors are used to define a frame.

Receiver

- Tx** : Tx = 0, Receiver
- A4/0** : Rx HDLC Channel 0 to 31
- ERF** : Error detected on Received Frame
 An error such as CRC not correct, Abort, Overflow has been detected.
- EOQ** : End of Queue
 The Receive DMA Controller has encountered the current receive Descriptor with EOQ at "1".
 DMA Controller is waiting "Continue" from microprocessor.
- HALT** : The Receive DMA Controller has received HALT or ABORT (on the outside of frame) from the microprocessor; it is waiting "Continue" or "Start" from the microprocessor.
- BF** : Buffer Filled
 If IBC bit of Receiver Descriptor is at '1', the Receive DMA Controller puts BF at "1" when it has filled the current buffer with data from the received frame.

CFR : Correctly Frame Received
 CFR =1, a receive frame is ended with a correct CRC. The end of the frame is located in the last descriptor if several Descriptors.

VII.5 - Receive Command / Indicate Interrupt

VII.5.1 - Receive Command / Indicate Interrupt when TSV = 0

Time Stamping not validated (bit of GCR Register)

bit15				bit8				bit7				bit 0			
NS	Nu	S1	S0=0	G0	A2	A1	A0	Nu	Nu	C6	C5	C4	C3	C2	C1
NS	Nu	S1	S0=1	G0	A2	A1	A0	Nu	Nu	A	E	S1	S2	S3	S4

This word is located in the Command/Indicate interrupt queue; IQSR Register indicates the size of this interrupt queue located in the external memory.

- NS : New Status.
 Before writing the features of event in the external memory the Interrupt Controller reads the NS bit:
 if NS = 0, the Interrupt Controller puts this bit at '1' when it writes the new primitive which has been received.
 if NS = 1, the Interrupt Controller puts ICOV bit at '1' to generate an interrupt (IR Register).
 When the microprocessor has read the status word, it puts this bit at '0' to acknowledge the new status. This location becomes free for the Interrupt Controller.
- G0 : G0 = 0, GCI 0 corresponding to DIN4 input and DOUT4 output.
 G0 = 1, GCI 1 corresponding to DIN5 input and DOUT5 output.
- A2/0 : COMMAND/INDICATE Channel 0 to 7 being owned by GCI 0 or GCI 1
- S1/0 : Primitive or 6 bit word or AIS received
- C6/1 : New Primitive received twice consecutively. Case of S0=S1=0
- A, E, S1/S4 : 6 bits received twice consecutively. Case of S0=1 S1=0.

S1	S0	G0	Word stored in shared memory
0	0	0	Primitive C1/6 received from GCI Multiplex 0 corresponding to DIN4
0	0	1	Primitive C1/6 received from GCI Multiplex 1 corresponding to DIN5
0	1	0	A, E, S1/S4 bits from any input timeslot switched to one timeslot 4n+3 of GCI Multiplex 0 without outgoing to DOUT4
0	1	1	A, E, S1/S4 bits from any input timeslot switched to one timeslot 4n+3 of GCI 1 without outgoing to DOUT5
1	0	0	AIS detected during more 30 ms from any input timeslot and switched to B1, B2 channels (16 bits) of the GCI Multiplex 0 (DOUT4) in transparent mode or not
1	0	1	AIS detected during more 30 ms from any input timeslot and switched to B1, B2 channels (16 bits) of the GCI Multiplex 1 (DOUT5) in transparent mode or not.
1	1	0	Reserved

VII.5.2 - Receive Command / Indicate Interrupt when TSV = 1

Time Stamping validated (bit of GCR Register)

bit15				bit8				bit7				bit 0			
NS	Nu	Nu	Nu	G0	A2	A1	A0	Nu	Nu	C6	C5	C4	C3	C2	C1
T15	T14	T13	T12	T11	T10	T9	T8	T7	T6	T5	T4	T3	T2	T1	T0

These two words are located in the Command/Indicate interrupt queue; IQSR Register indicates the size of this interrupt queue located in the external memory.

- NS : New Status.
Before writing the features of event in the external memory the Interrupt Controller reads the NS bit:
if NS = 0, the Interrupt Controller puts this bit at '1' when it writes the new primitive which has been received.
if NS = 1, the Interrupt Controller puts ICOV bit at '1' to generate an interrupt (IR Register).
When the microprocessor has read the status word, it puts this bit at '0' to acknowledge the new status. This location becomes free for the Interrupt Controller.
- G0 : G0 = 0, GCI 0 corresponding to DIN4 input and DOUT4 output.
G0 = 1, GCI 1 corresponding to DIN5 input and DOUT5 output.
- A2/0 : COMMAND/INDICATE Channel 0 to 7 being owned by GCI 0 or GCI 1
- C6/1 : New Primitive received twice consecutively
- T15/0 : Binary counter value when a new primitive is occurred.

VII.6 - Receive Monitor Interrupt

VII.6.1 - Receive Monitor Interrupt when TSV = 0

TSV: Time Stamping not Validated (bit of GCR Register)

bit15				bit8				bit7				bit 0			
NS				G0	A2	A1	A0					ODD	A	F	L
M18	M17	M16	M15	M14	M13	M12	M11	M8	M7	M6	M5	M4	M3	M2	M1

These two words are transferred into the Monitor interrupt queue; IQSR Register indicates the size of this interrupt queue located in the external memory.

- NS : New Status.
Before writing the features of event in the external memory the Interrupt Controller reads the NS bit:
if NS = 0, the Interrupt Controller stores two new bytes M1/8 and M11/18 then puts NS bit at '1' when it writes the status of these two bytes which has been received.
if NS = 1, the Interrupt Controller puts ICOV bit at '1' to generate an interrupt (IR Register).
- G0 : G0 = 0, GCI 0 corresponding to DIN4 input and DOUT4 output.
G0 = 1, GCI 1 corresponding to DIN5 input and DOUT5 output.
- L : Last byte
L=1, two cases:
if ODD = 1, the following word of the Interrupt Queue contains the Last byte of message.
if ODD =0, the Last byte of message has been stored at the previous access of the Interrupt Queue (concerning this channel).
L=0, the following word and the previous word does not contain the Last byte of message.
- F : First byte
F=1, the following word contains the First byte of message.
F=0, the following word does not contain the First byte of message.

- A : Abort
A=1, Received message has been aborted.
- ODD : Odd byte number
ODD = 1, one byte has been written in the following word.
ODD = 0, two bytes have been written in the following word.

In case of V* protocol ODD,A,F,L bits are respectively 1,0,1,1.

- M1/8 : New Byte received twice consecutively if GCI Protocol has been validated.
Byte received once if V* Protocol has been validated.
- M11/18 : Next new Byte received twice consecutively if GCI Protocol has been validated.
This byte is at “1” in case of V* protocol.

VII.6.2 - Receive Monitor Interrupt when TSV = 1

TSV: Time Stamping Validated (bit of GCR Register)

bit15				bit8				bit7				bit 0			
NS				G0	A2	A1	A0					ODD	A	F	L
M18	M17	M16	M15	M14	M13	M12	M11	M8	M7	M6	M5	M4	M3	M2	M1
T15	T14	T13	T12	T11	T10	T9	T8	T7	T6	T5	T4	T3	T2	T1	T0
0	0	0	0	0	0	0	0	0	0	0	0	0	0	0	0

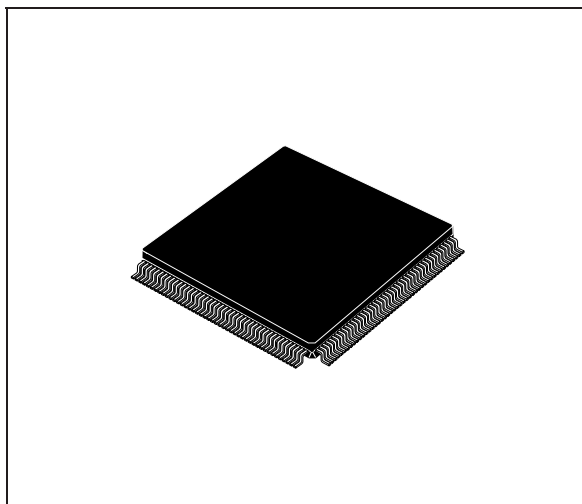
These four words are located in the Monitor interrupt queue; IQSR Register indicates the size of this interrupt queue located in the external memory.

- NS : New Status.
Before writing the features of event in the external memory the Interrupt Controller reads the NS bit:
if NS = 0, the Interrupt Controller stores two new bytes M1/8 and M11/18 then puts NS bit at ‘1’ when it writes the status of these two bytes which has been received.
if NS = 1, the Interrupt Controller puts ICOV bit at ‘1’ to generate an interrupt (IR Register).
- G0 : G0 = 0, GCI 0 corresponding to DIN4 input and DOUT4 output.
G0 = 1, GCI 1 corresponding to DIN5 input and DOUT5 output.
- L : Last byte
L=1, two cases:
if ODD = 1, the following word of the Interrupt Queue contains the Last byte of message.
if ODD =0, the Last byte of message has been stored at the previous access of the Interrupt Queue (concerning this channel).
L=0, the following word and the previous word does not contain the Last byte of message.
- F : First byte
F=1, the following word contains the First byte of message.
F=0, the First byte of message is not the following word.
- A : Abort
A=1, Received message has been aborted.
- ODD : Odd byte number
ODD = 1, one byte has been written in the following word.
ODD = 0, two bytes have been written in the following word.
- M1/8 : New Byte received twice consecutively if GCI Protocol has been validated.
Byte received once if V* Protocol has been validated.
- M11/18 : Next new Byte received twice consecutively if GCI Protocol has been validated.
This byte is at “1” in case of V* protocol.
- T15/0 : Binary counter value when a new primitive is occurred.

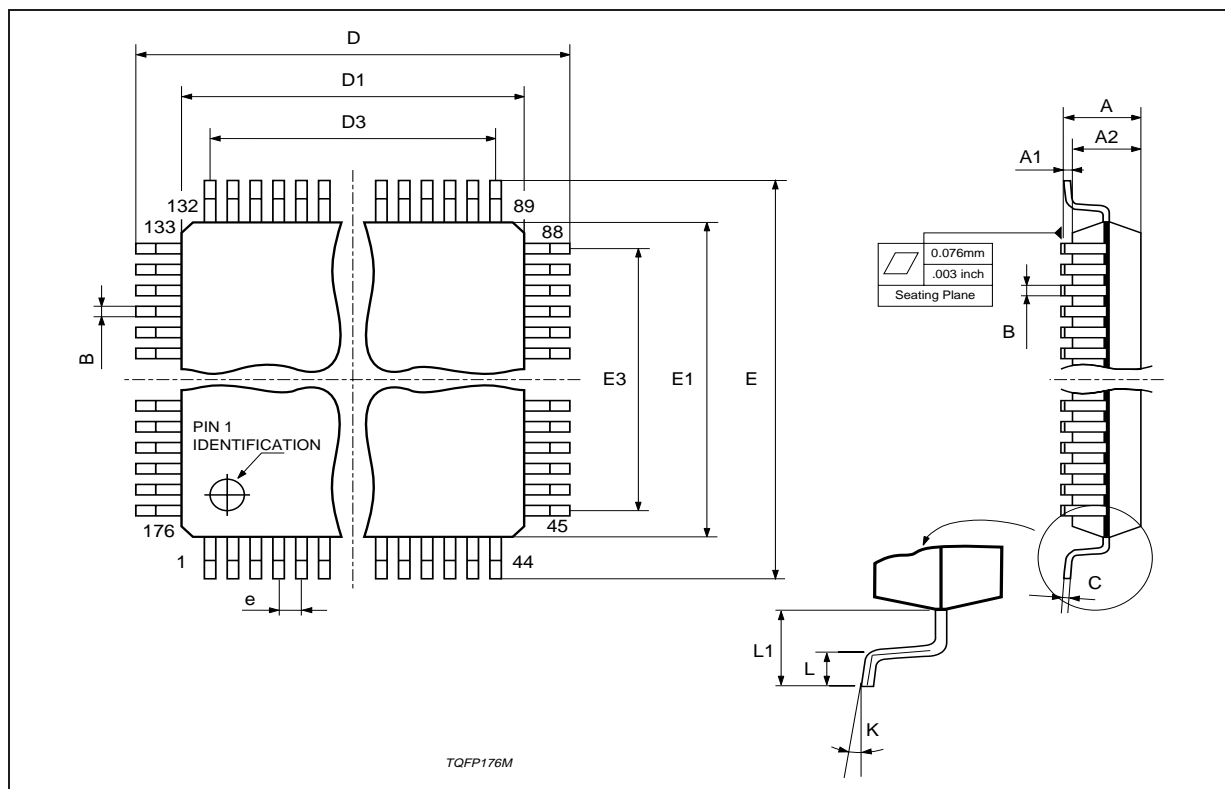
VIII - TQFP176 PACKAGE MECHANICAL DATA

DIM.	mm			inch		
	MIN.	TYP.	MAX.	MIN.	TYP.	MAX.
A			1.60			0.063
A1	0.05		0.15	0.002		0.006
A2	1.35	1.40	1.45	0.053	0.055	0.057
B	0.17	0.22	0.27	0.007	0.009	0.011
C	0.09		0.20	0.003		0.008
D		26.00			1.024	
D1		24.00			0.945	
D3		21.50			0.846	
e		0.50			0.019	
E		26.00			1.024	
E1		24.00			0.945	
E3		21.50			0.846	
L	0.45	0.60	0.75	0.018	0.024	0.030
L1		1.00			0.0393	
K	3.5°(min.), 7°(max.)					

OUTLINE AND MECHANICAL DATA



TQFP176
(24x24x1.40mm)



IX - FIGURES and TIMING**SEE FOLLOWING DOCUMENT**

These FIGURES must be located in the following paragraphs:

Figure 1-1:	MHDLC Block diagram	in paragraph II
Figure 1-2:	Variable delay through the matrix with ITDM=1	in paragraph III 5.1
Figure 1-3:	Variable delay through the matrix with ITDM=0	in paragraph III 5.1
Figure 1-4:	Constant delay through the matrix with SI=1	in paragraph III 5.1
Figure 1-5:	Downstream switching at 32 kb/s	in paragraph III 1.7
Figure 1-6:	Upstream switching at 32 kb/s	in paragraph III 1.7
Figure 1-7:	Upstream and downstream switching at 16 Kbit/s	in paragraph III 1.8
Figure 1-8:	D,C/I and Monitor channel path	in paragraph III 3.3
Figure 1-9:	GCI channel to/from ISDN channel	in paragraph III 5
Figure 1-10:	From GCI channels to ISDN channels	in paragraph III 5
Figure 1-11:	From ISDN channels to GCI channels	in paragraph III 5
Figure 1-12:	Multi-HDLC connected to mP with multiplexed buses	in paragraph III 6.2.3
Figure 1-13:	Multi-HDLC connected to mP with non multiplexed buses	in paragraph III 6.2.3
Figure 1-14:	Microprocessor interface for INTEL 80C188	in paragraph III 6.2.3
Figure 1-15:	Microprocessor interface for INTEL 80C186	in paragraph III 6.2.3
Figure 1-16:	Microprocessor interface for MOROLA 68000	in paragraph III 6.2.3
Figure 1-17:	Microprocessor interface for MOROLA 68020	in paragraph III 6.2.3
Figure 1-18:	Microprocessor interface for ST9	in paragraph III 6.2.3
Figure 1-19:	Microprocessor interface for INTEL 386EX	in paragraph III 6.2.3
Figure 1-20:	Ex1; different clocks for Multi-HDLC and mP	in paragraph III 6.2.3
Figure 1-21:	Ex2; synchronous clock for Multi-HDLC and mP	in paragraph III 6.2.3
Figure 1-22:	4Mx16 SDRAM memory organisation	in paragraph III 7.4.1
Figure 1-23:	First example, 8Mx16 SDRAM memory organisation	in paragraph III 7.4.2
Figure 1-24:	Second example, 8Mx16 SDRAM memory organisation	in paragraph III 7.4.3
Figure 1-25:	Third example, 8Mx16 SDRAM memory organisation	in paragraph III 7.4.4
Figure 1-26:	Chain of n Multi-HDLC components	in paragraph III 8
Figure 1-27:	MHDLC clock generation	in paragraph III 9.1
Figure 1-28:	VCXO frequency synchronization	in paragraph III 9.2
Figure 1-29:	The three circular interrupt memories	in paragraph III 10.5

LIST OF FIGURES

1	FIGURES associated with text	83
	Figure 1-1: MHDLC Block diagram	83
	Figure 1-2: Variable delay through the matrix with ITDM=1	84
	Figure 1-3: Variable delay through the matrix with ITDM=0	85
	Figure 1-4: Constant delay through the matrix with SI=1	86
	Figure 1-5: Downstream switching at 32 kb/s	87
	Figure 1-6: Upstream switching at 32 kb/s	88
	Figure 1-7: Upstream and downstream switching at 16 Kbit/s	89
	Figure 1-8: D, C/I and Monitor channel path	90
	Figure 1-9: GCI channel to/from ISDN channel	91
	Figure 1-10: From GCI channels to ISDN channels	92
	Figure 1-11: From ISDN channels to GCI channels	93
	Figure 1-12: <i>Multi-HDLC</i> connected to mP with multiplexed buses	94
	Figure 1-13: <i>Multi-HDLC</i> connected to mP with non multiplexed buses	94
	Figure 1-14: Microprocessor interface for INTEL 80C188	95
	Figure 1-15: Microprocessor interface for INTEL 80C186	95
	Figure 1-16: Microprocessor interface for MOROLA 68000	96
	Figure 1-17: Microprocessor interface for MOROLA 68020	96
	Figure 1-18: Microprocessor interface for ST9	97
	Figure 1-19: Microprocessor interface for INTEL 386EX	97
	Figure 1-20: Ex1; different clocks for Multi-HDLC and mP	98
	Figure 1-21: Ex2; synchronous clock for Multi-HDLC and mP	98
	Figure 1-22: 4Mx16 SDRAM memory organisation	99
	Figure 1-23: First example, 8Mx16 SDRAM memory organisation	100
	Figure 1-24: Second example, 8Mx16 SDRAM memory organisation	101
	Figure 1-25: Third example, 8Mx16 SDRAM memory organisation	102
	Figure 1-26: Chain of n <i>Multi-HDLC</i> components	103
	Figure 1-27: MHDLC clock generation	104
	Figure 1-28: VCXO frequency synchronization	105
	Figure 1-29: The three circular interrupt memories	105
2	CLOCK and TDMs TIMING	106
	Figure 2-1: Clocks received and delivered by the Multi-HDLC	106
	Figure 2-2: Synchronization signals received by the Multi-HDLC	107
	Figure 2-3: GCI Synchro signal delivered by the <i>Multi-HDLC</i>	108
	Figure 2-4: V* Synchronisation signal delivered by the <i>Multi-HDLC</i>	109
3	SDRAM MEMORY TIMING	110
	Figure 3-1: Signals exchanged between SDRAM controller and SDRAM	110
4	MICROPROCESSOR TIMING	111
	Figure 4-1: ST 9 read cycle	111
	Figure 4-2: ST 9 write cycle	112
	Figure 4-3: ST10 (C16x) read cycle; multiplexed A/D	113
	Figure 4-4: ST10 (C16x) write cycle; multiplexed A/D	114

Figure 4-5:	ST10 (C16x) read cycle; demultiplexed A/D	115
Figure 4-6:	ST10 (C16x) write cycle; demultiplexed A/D	116
Figure 4-7:	80C188 read cycle	117
Figure 4-8:	80C188 write cycle	118
Figure 4-9:	80C186 read cycle	119
Figure 4-10:	80C186 write cycle	120
Figure 4-11:	386EX read cycle (LBA# at Vdd).	121
Figure 4-12:	386EX write cycle (LBA# at Vdd)	122
Figure 4-13:	386EX; NRDY versus LBA#	123
Figure 4-14:	68000 read cycle.	124
Figure 4-15:	68000 write cycle.	125
Figure 4-16:	68020 read cycle.	126
Figure 4-17:	68020 write cycle.	127
5	MASTERCLOCK and TOKEN RING TIMING	128
Figure 5-1:	Masterclock	128
Figure 5-2:	Token ring	129

1 FIGURES associated with text

Figure 1-1: MHDLC Block diagramL

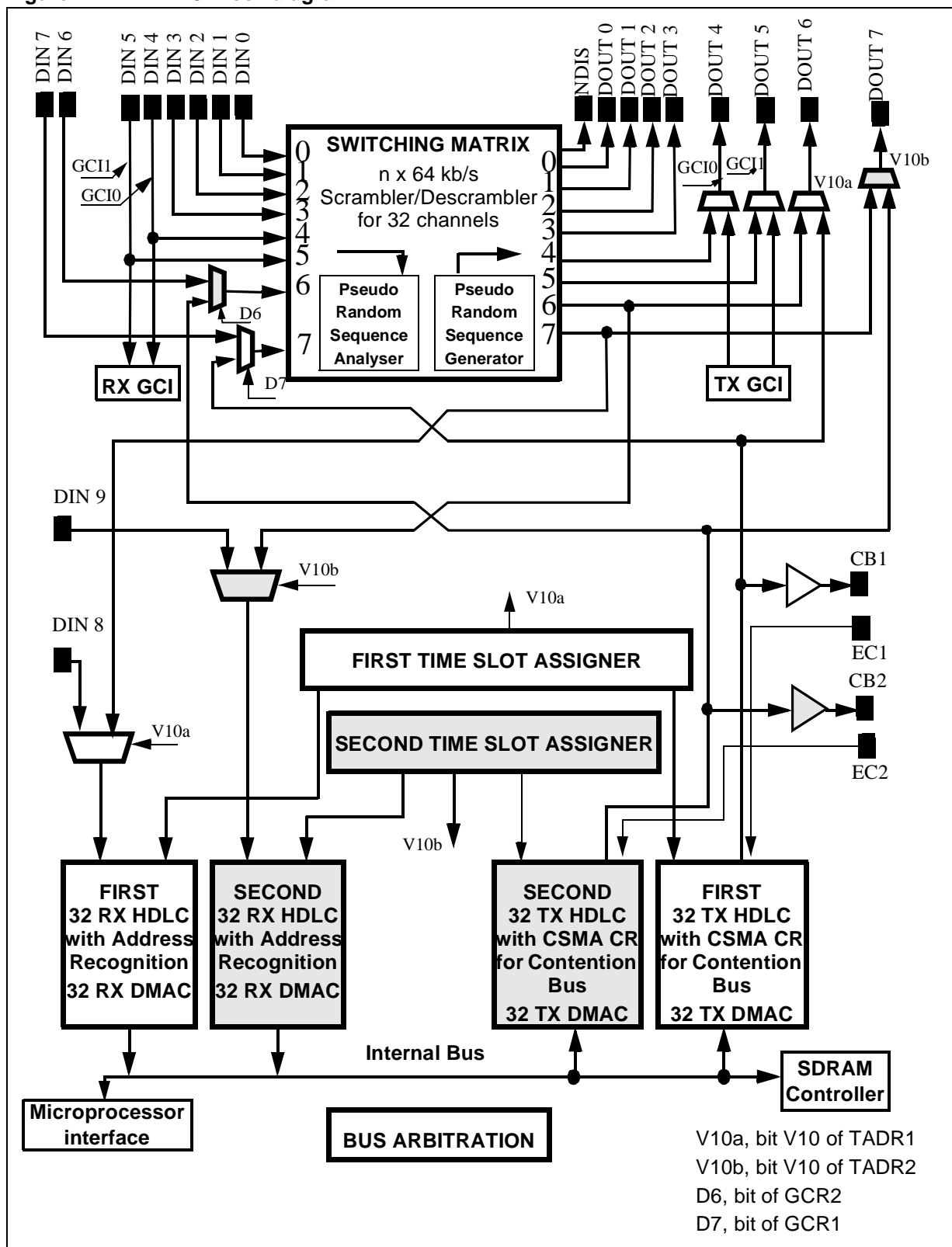


Figure 1-2: Variable delay through the matrix with ITDM=1

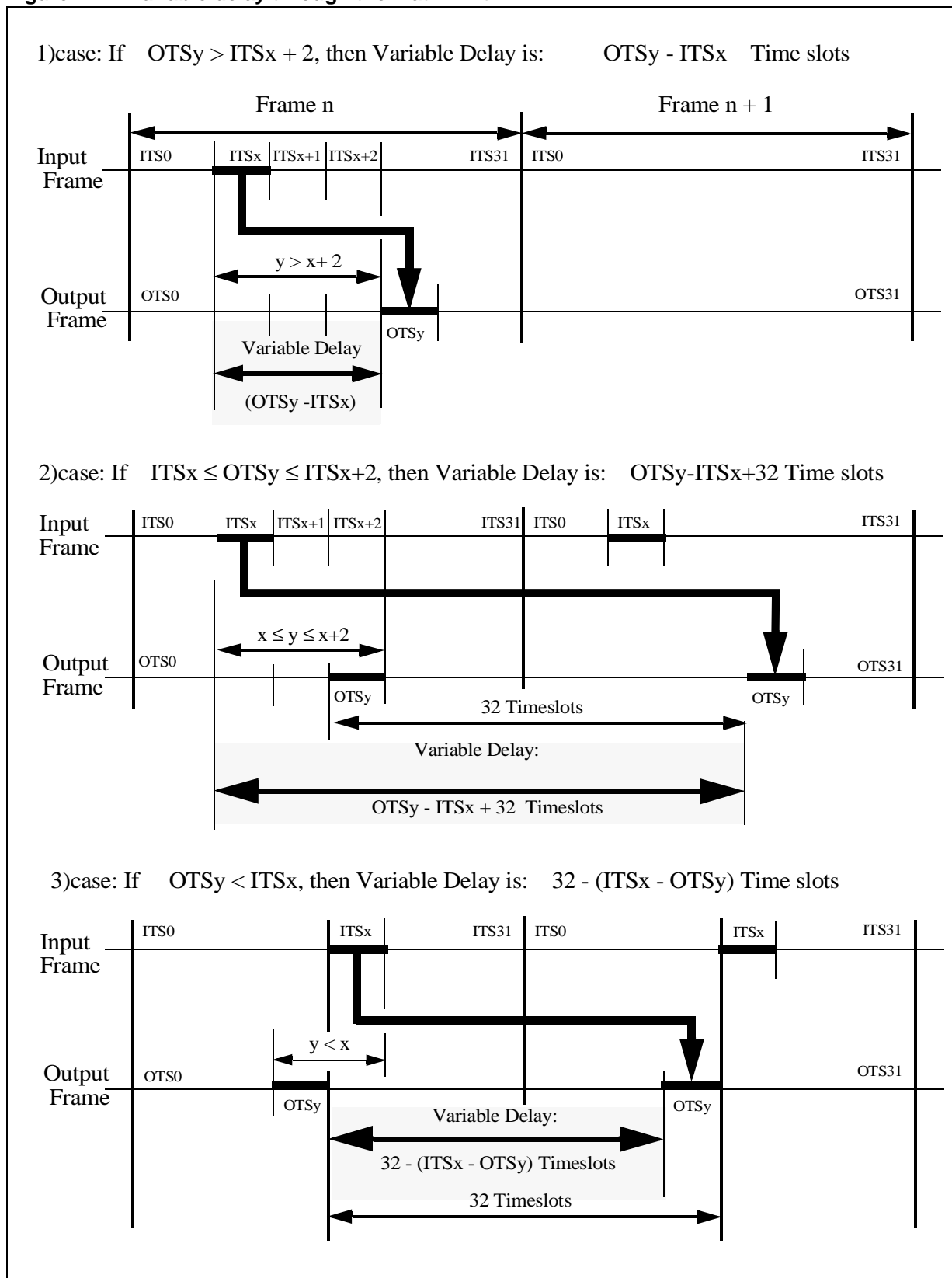
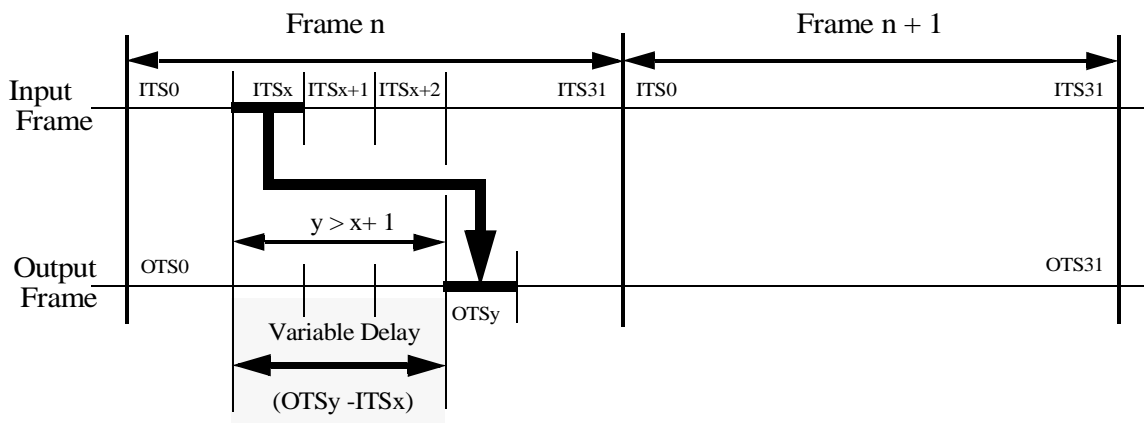
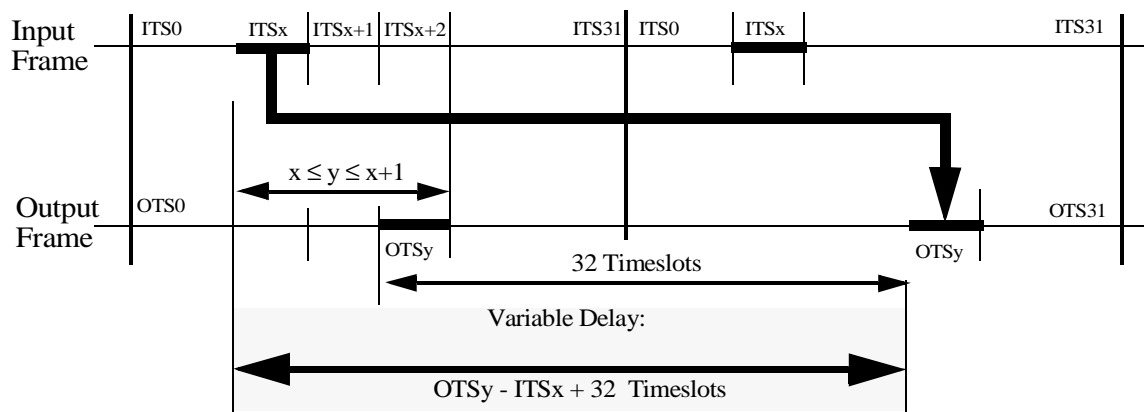


Figure 1-3: Variable delay through the matrix with ITDM=0

1)case: If $OTSy > ITSx + 1$, then Variable Delay is: $OTSy - ITSx$ Time slots



2)case: If $ITSx \leq OTSy \leq ITS_{x+2}$, then Variable Delay is: $OTSy - ITSx + 32$ Time slots



3)case: If $OTSy < ITSx$, then Variable Delay is: $32 - (ITSx - OTSy)$ Time slots

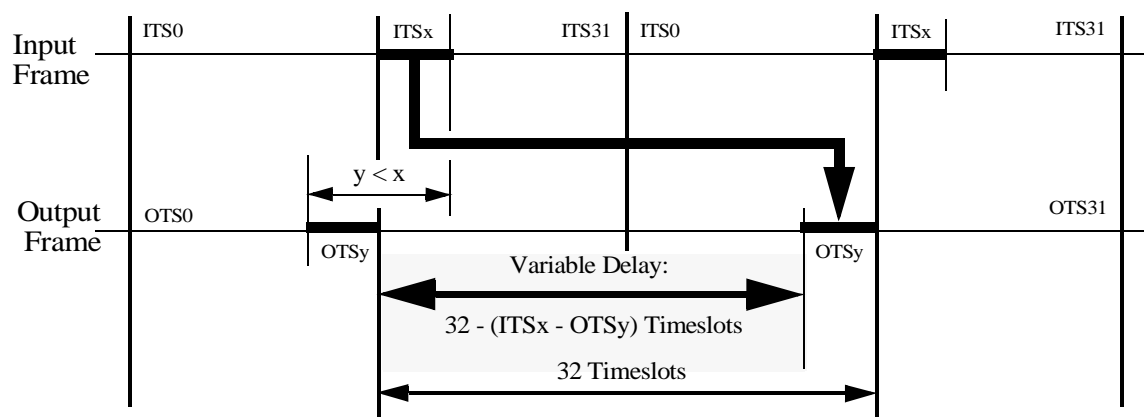


Figure 1-4: Constant delay through the matrix with SI=1

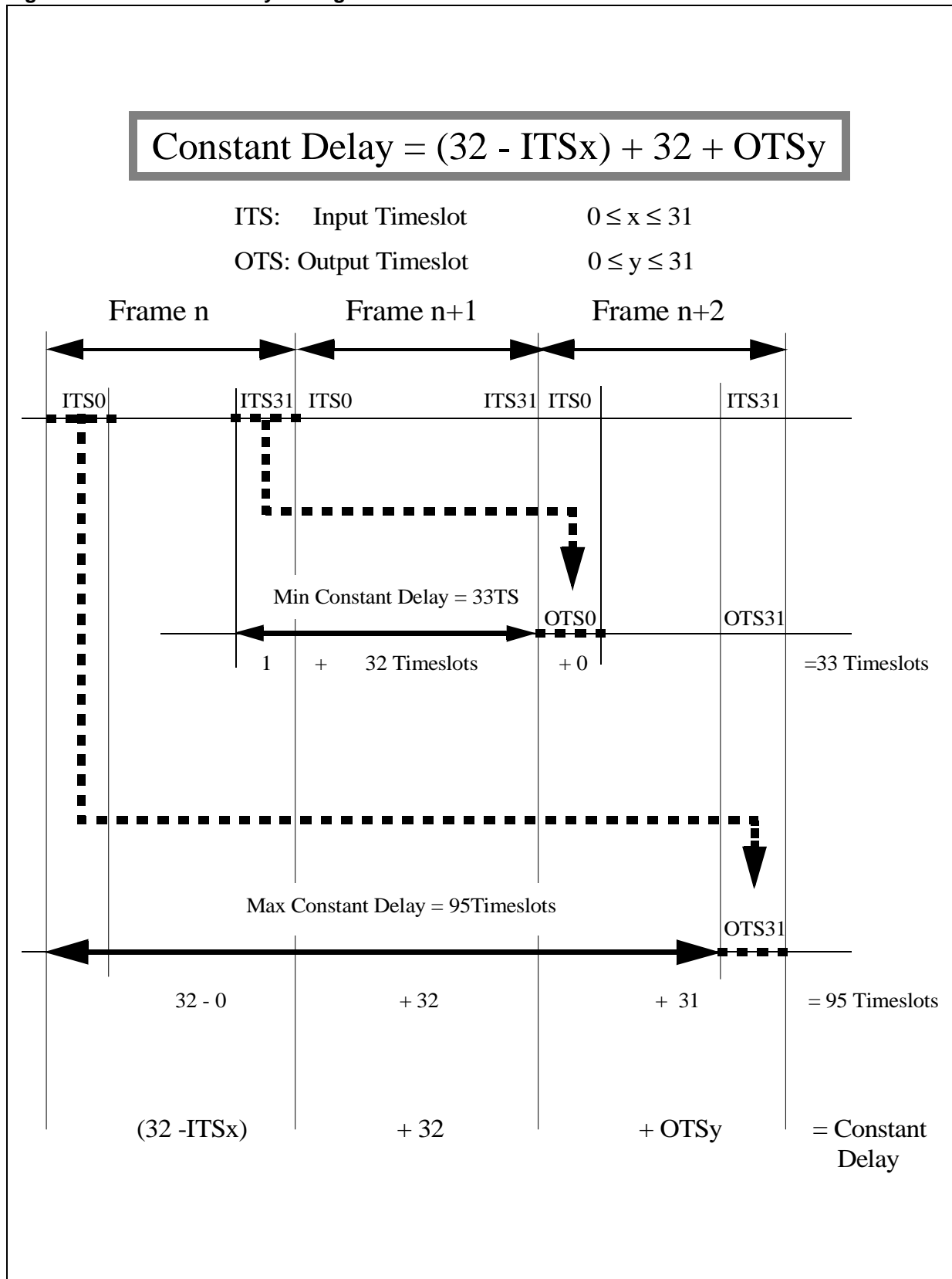


Figure 1-5: Downstream switching at 32 kb/s

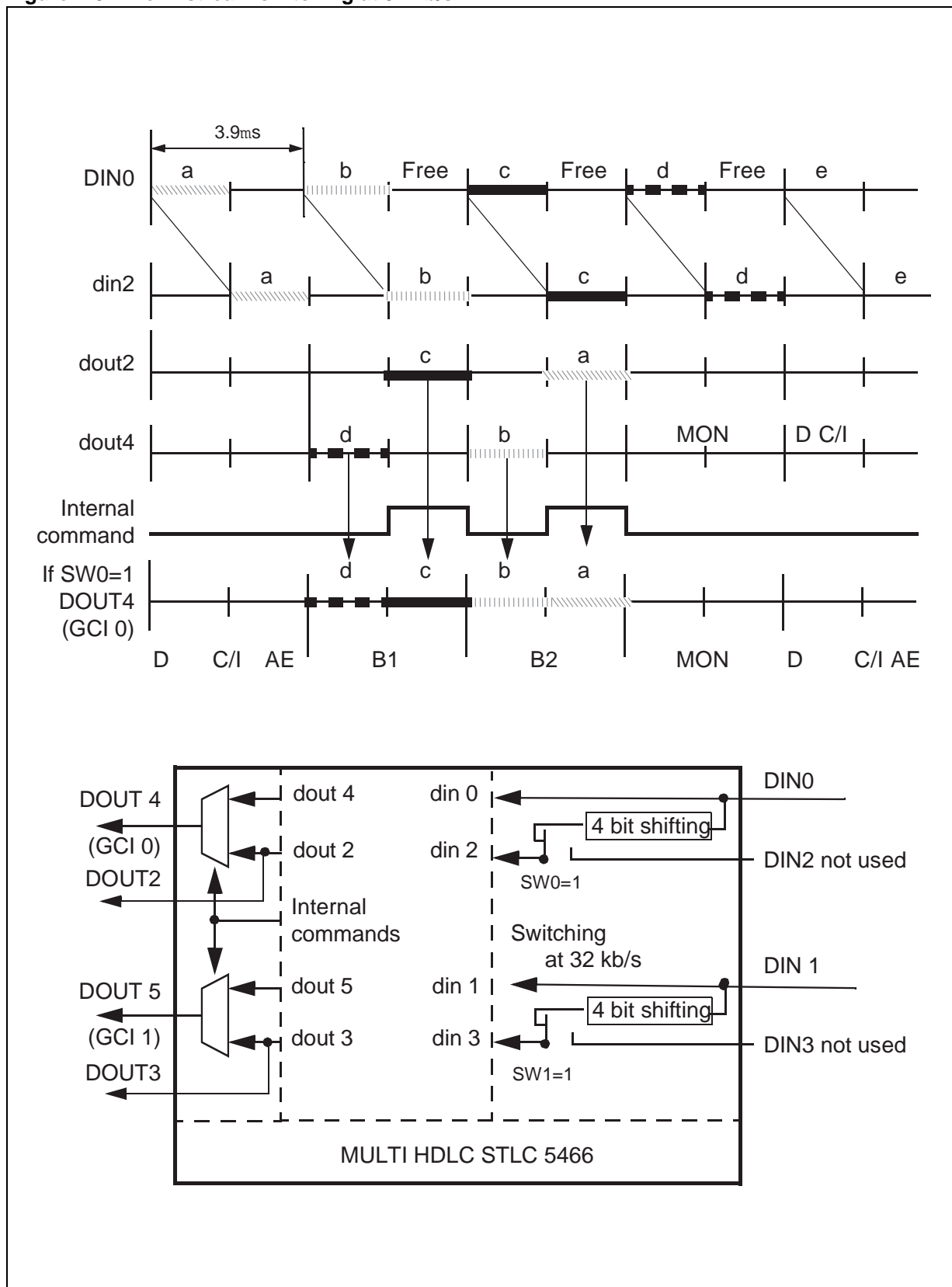


Figure 1-6: Upstream switching at 32 kb/s

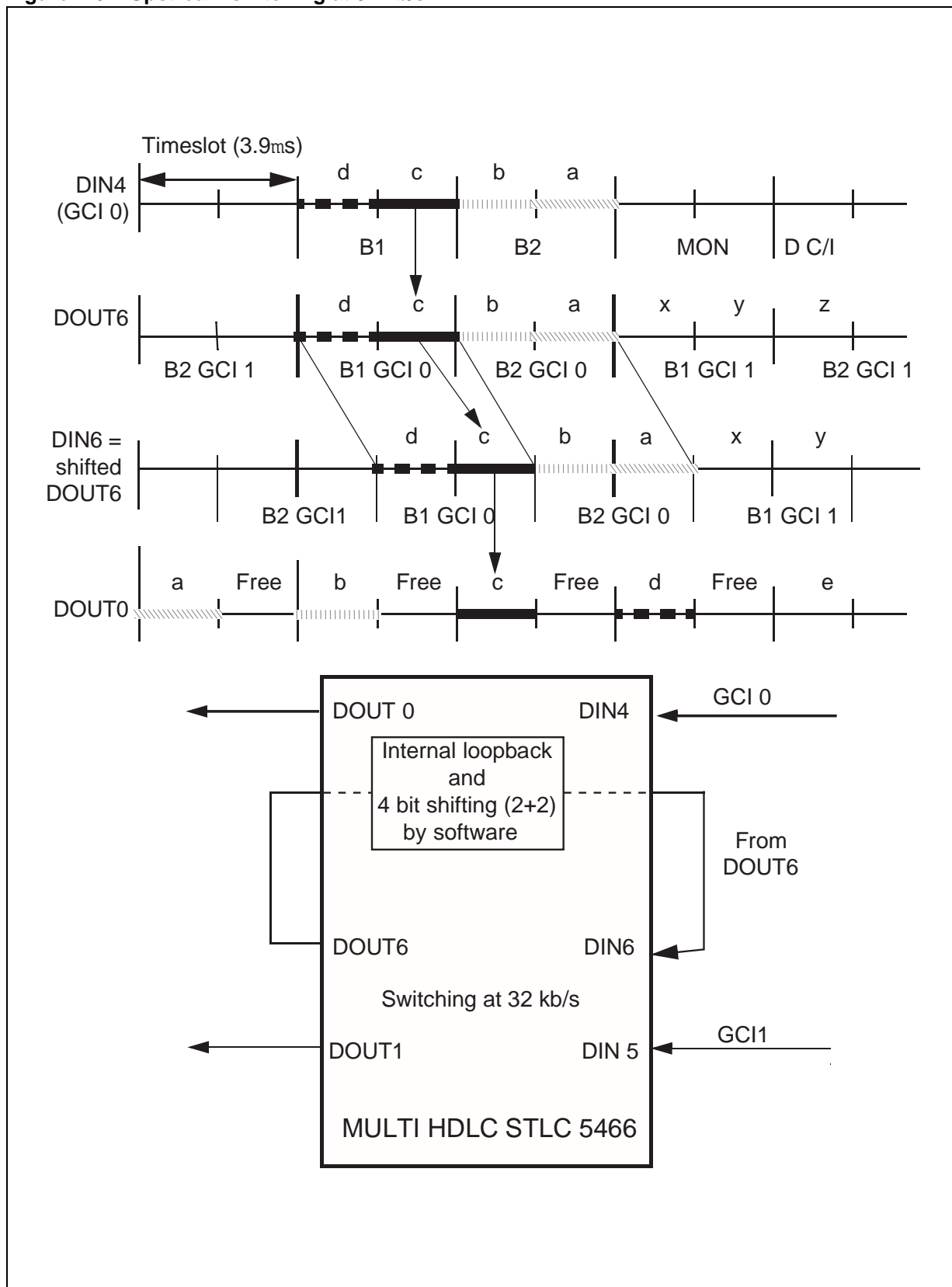


Figure 1-7: Upstream and downstream switching at 16 Kbit/s

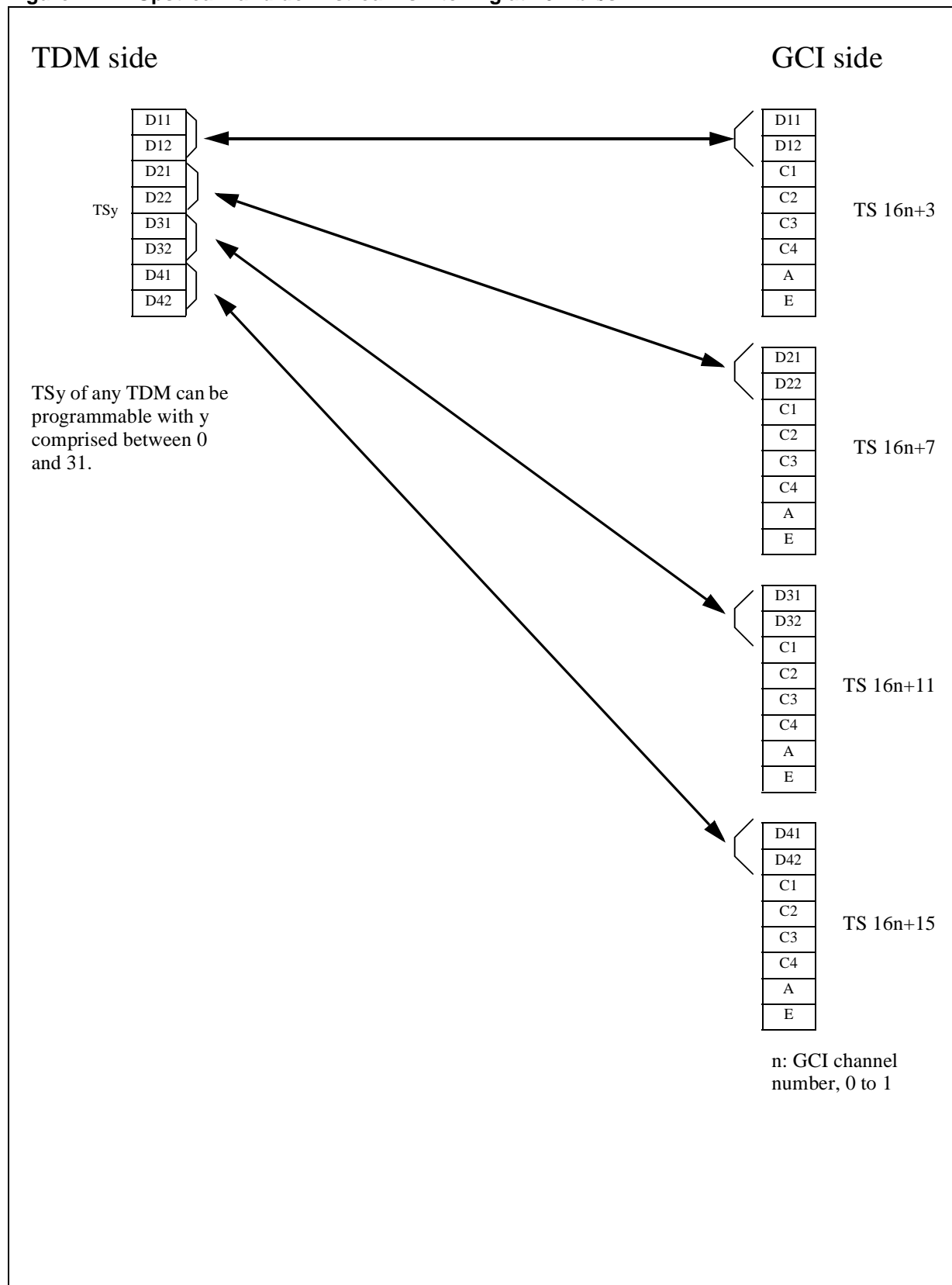


Figure 1-8: D, C/I and Monitor channel path

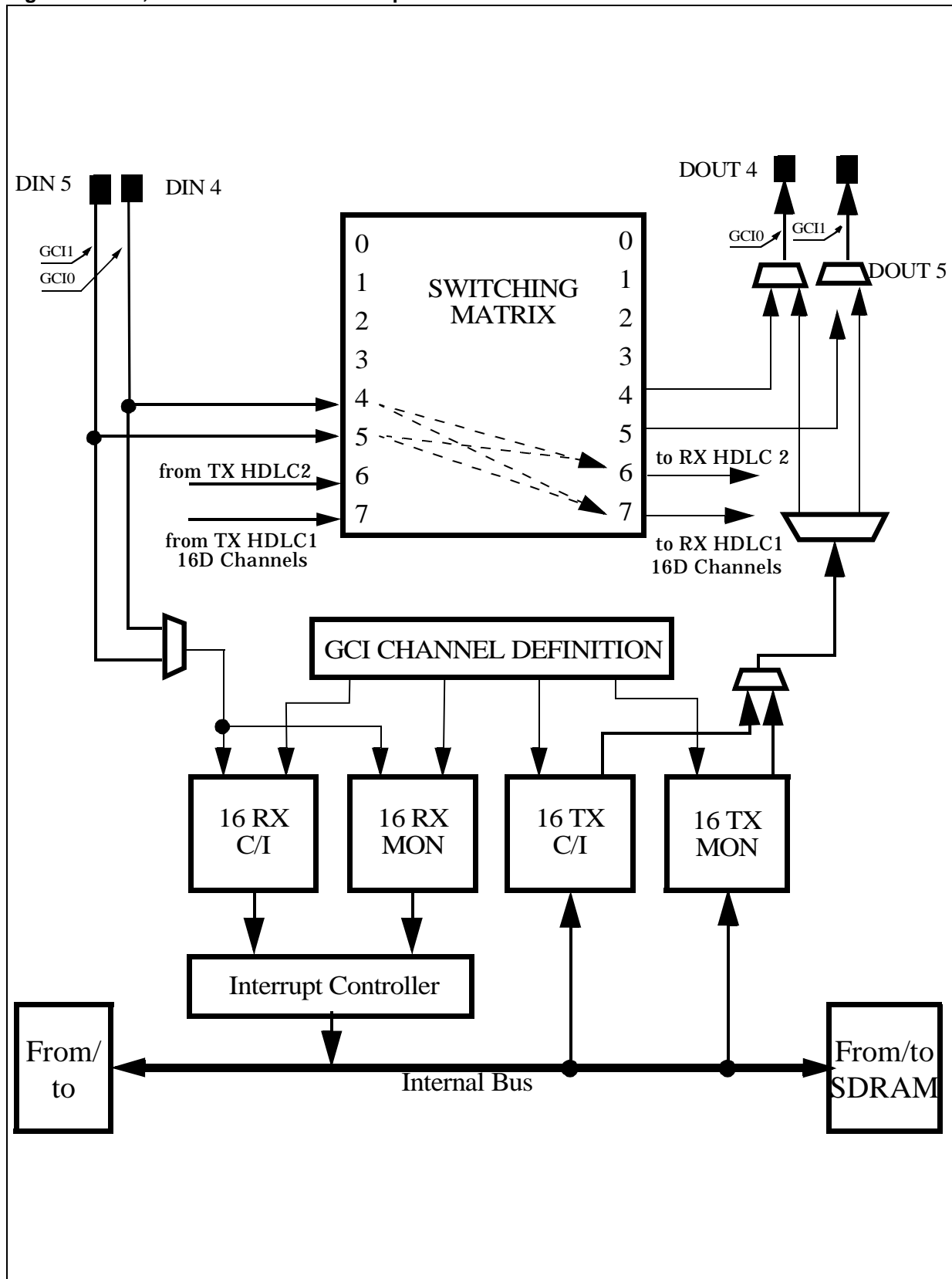


Figure 1-9: GCI channel to/from ISDN channel

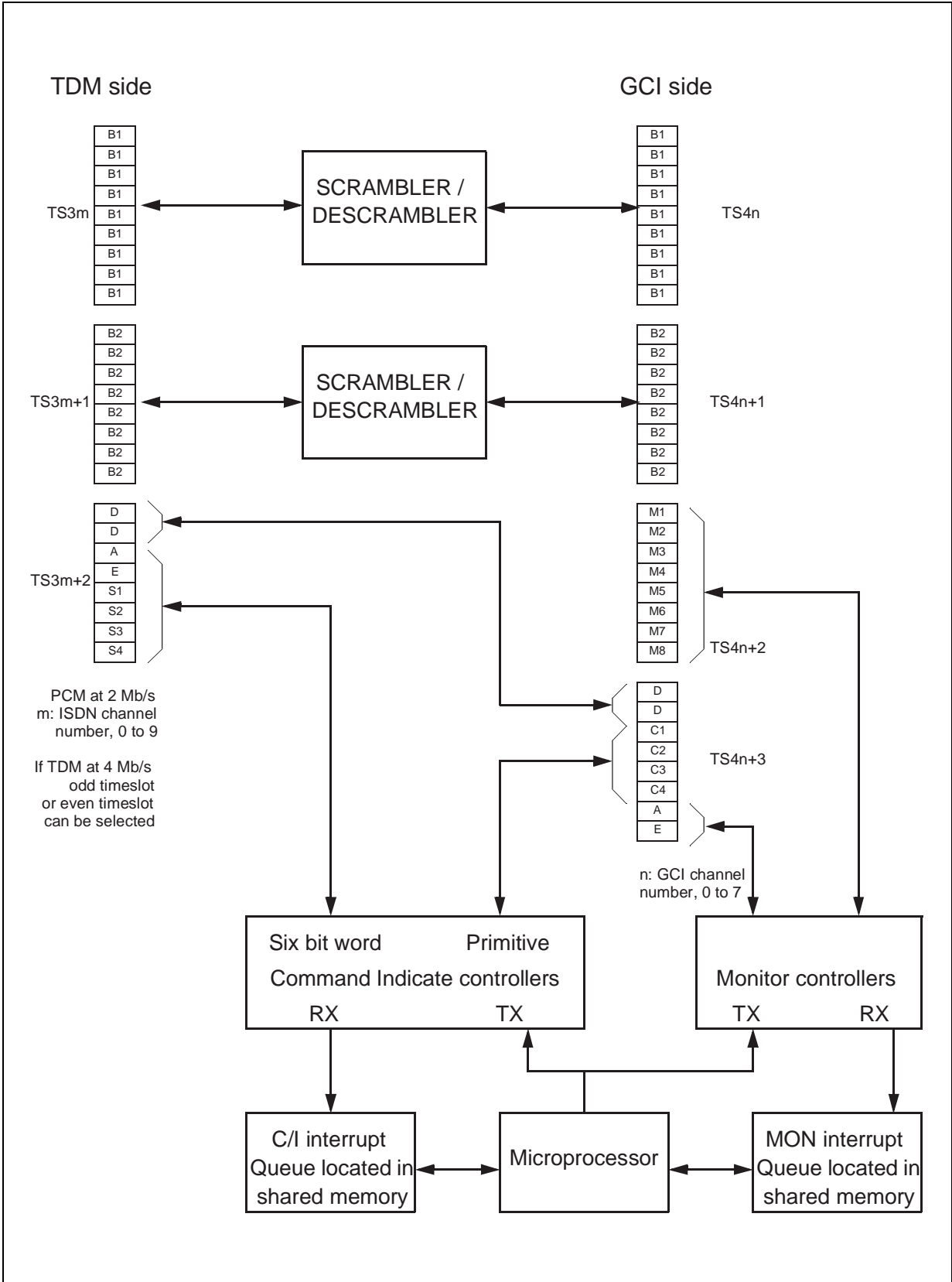


Figure 1-10: From GCI channels to ISDN channels

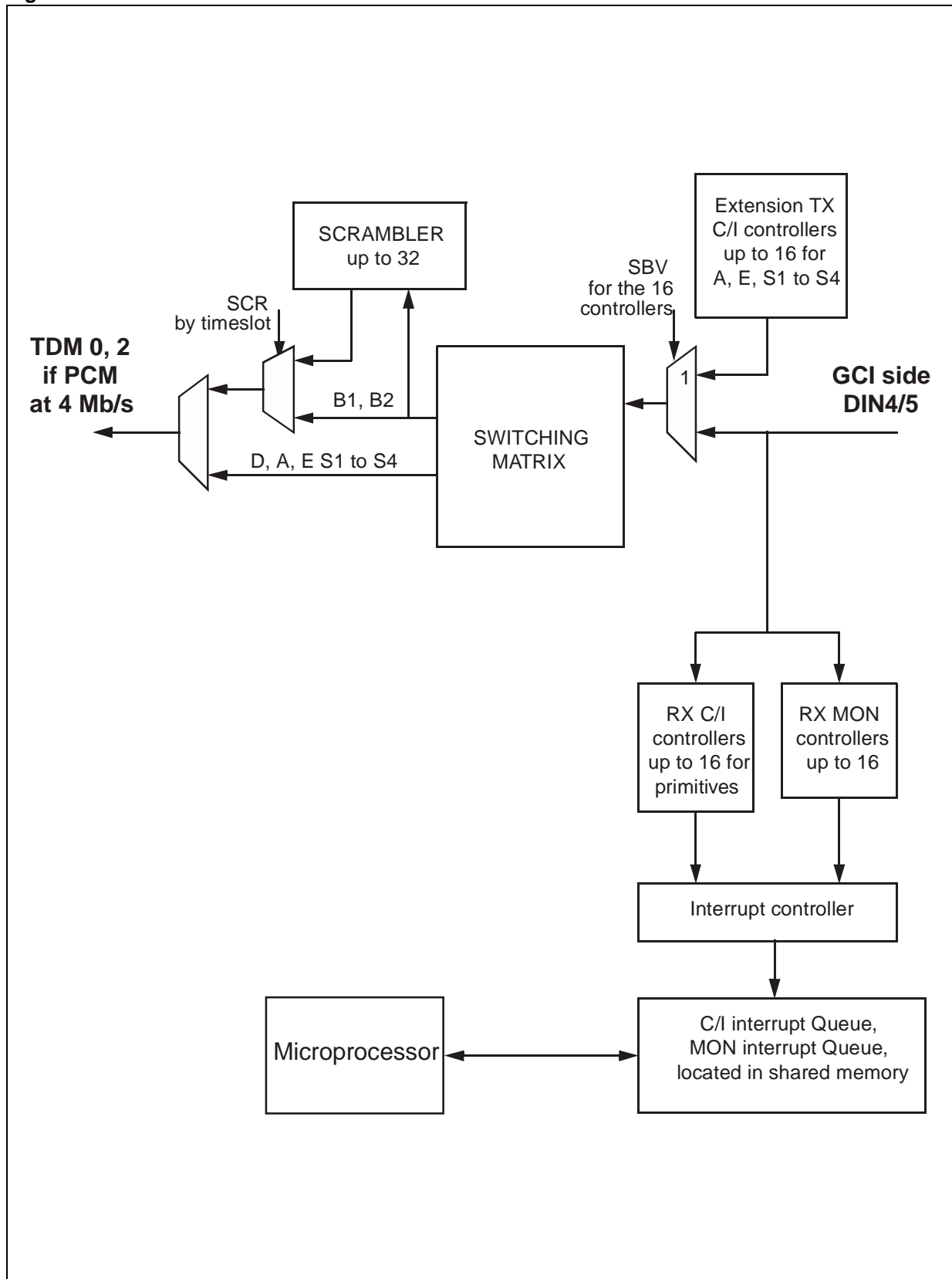


Figure 1-11: From ISDN channels to GCI channels

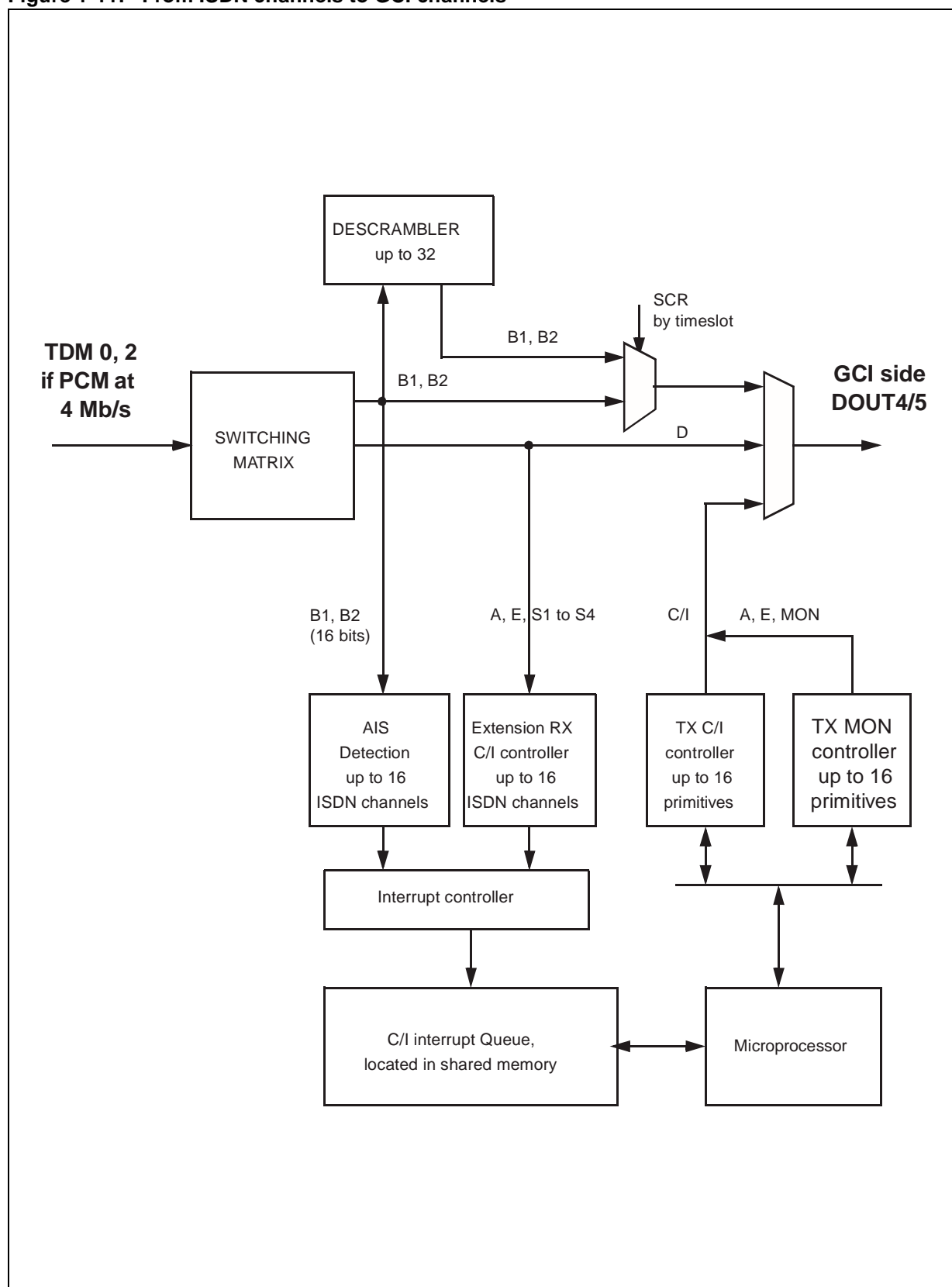


Figure 1-12: Multi-HDLC connected to μ P with multiplexed buses

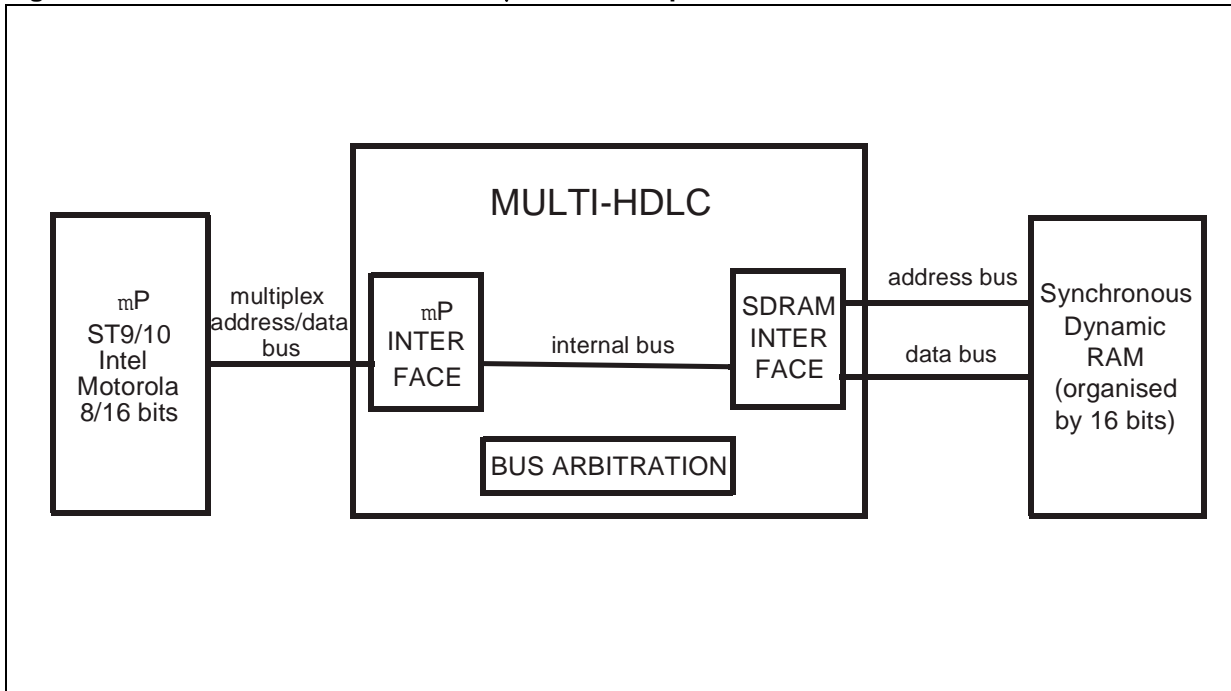


Figure 1-13: Multi-HDLC connected to μ P with non multiplexed buses

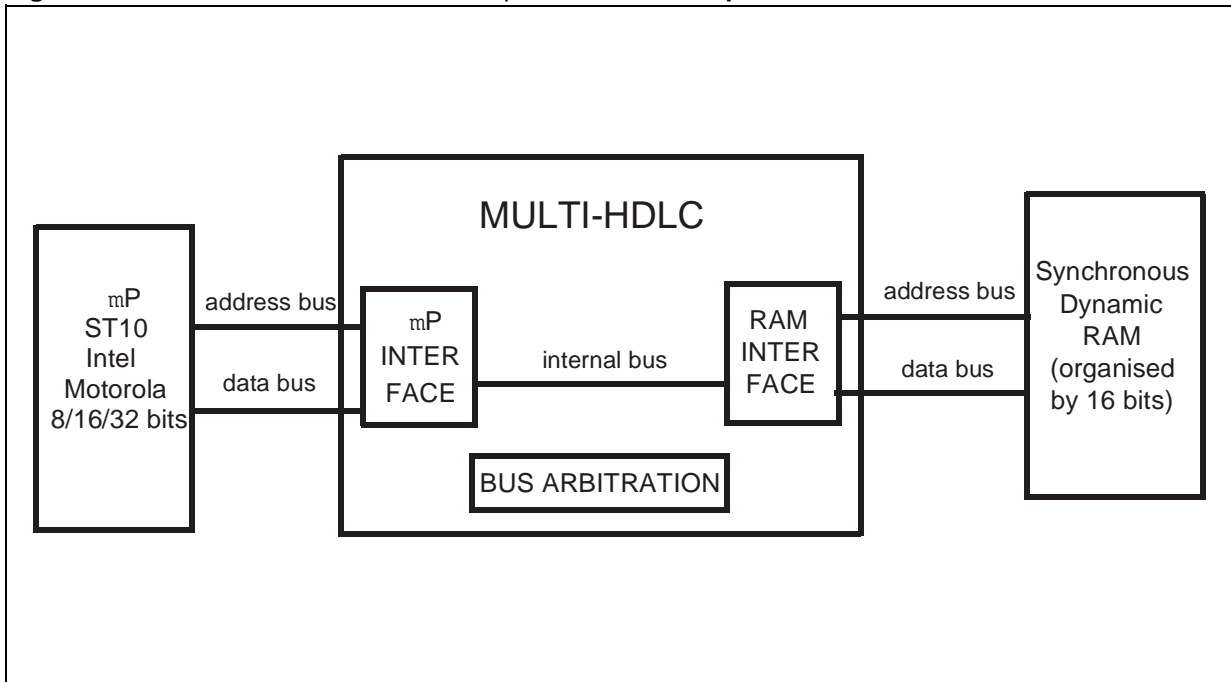


Figure 1-14: Microprocessor interface for INTEL 80C188

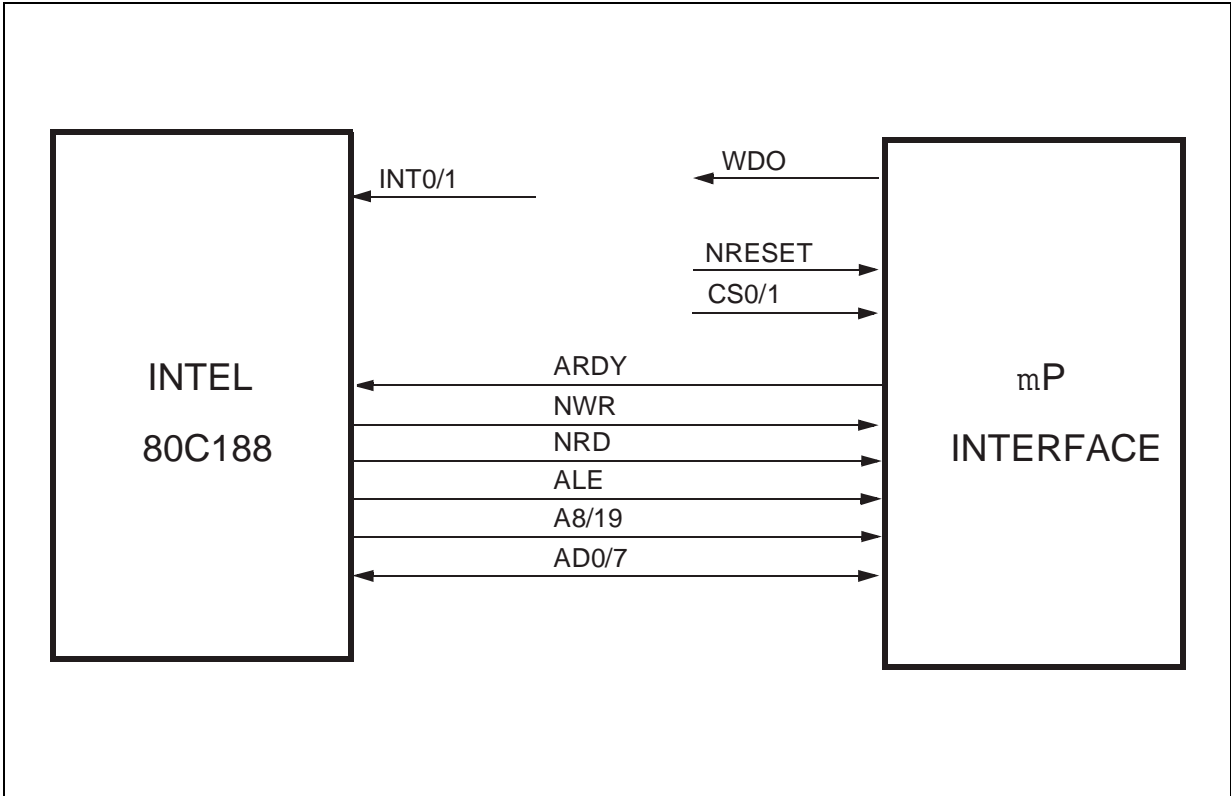


Figure 1-15: Microprocessor interface for INTEL 80C186

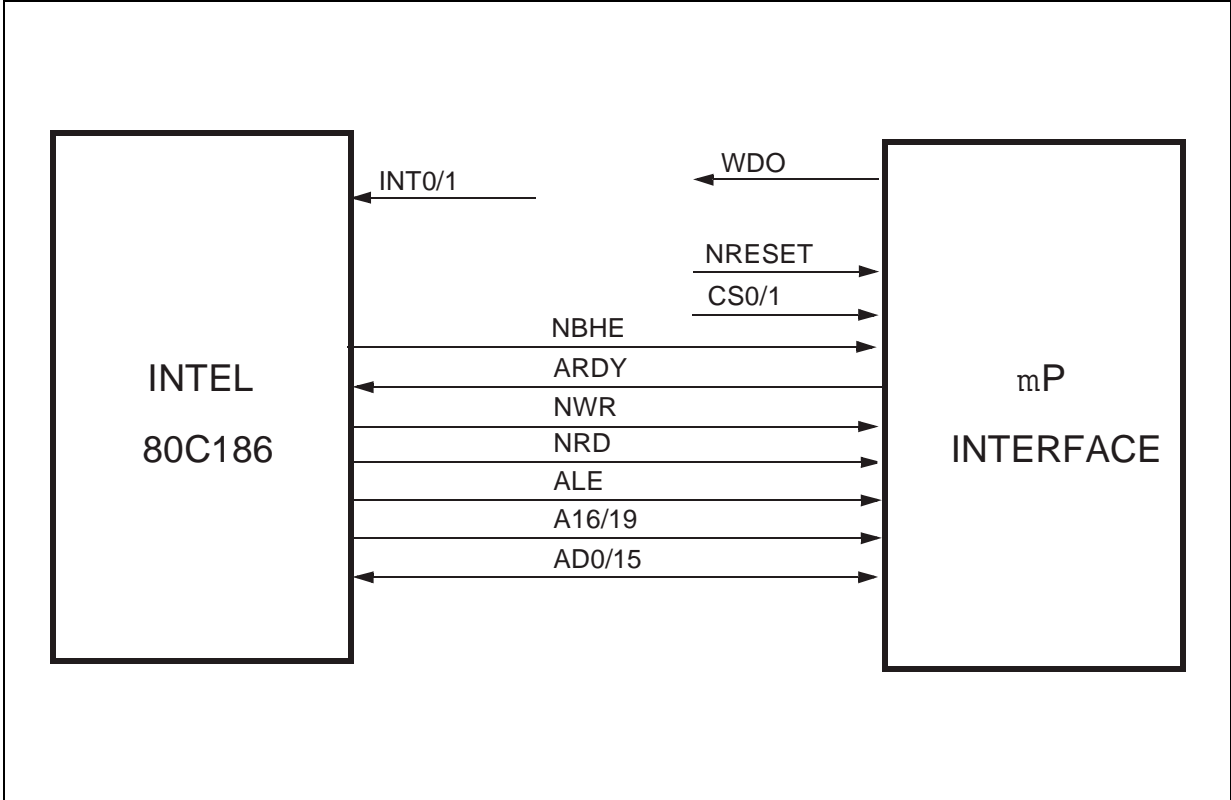


Figure 1-16: Microprocessor interface for MOROLA 68000

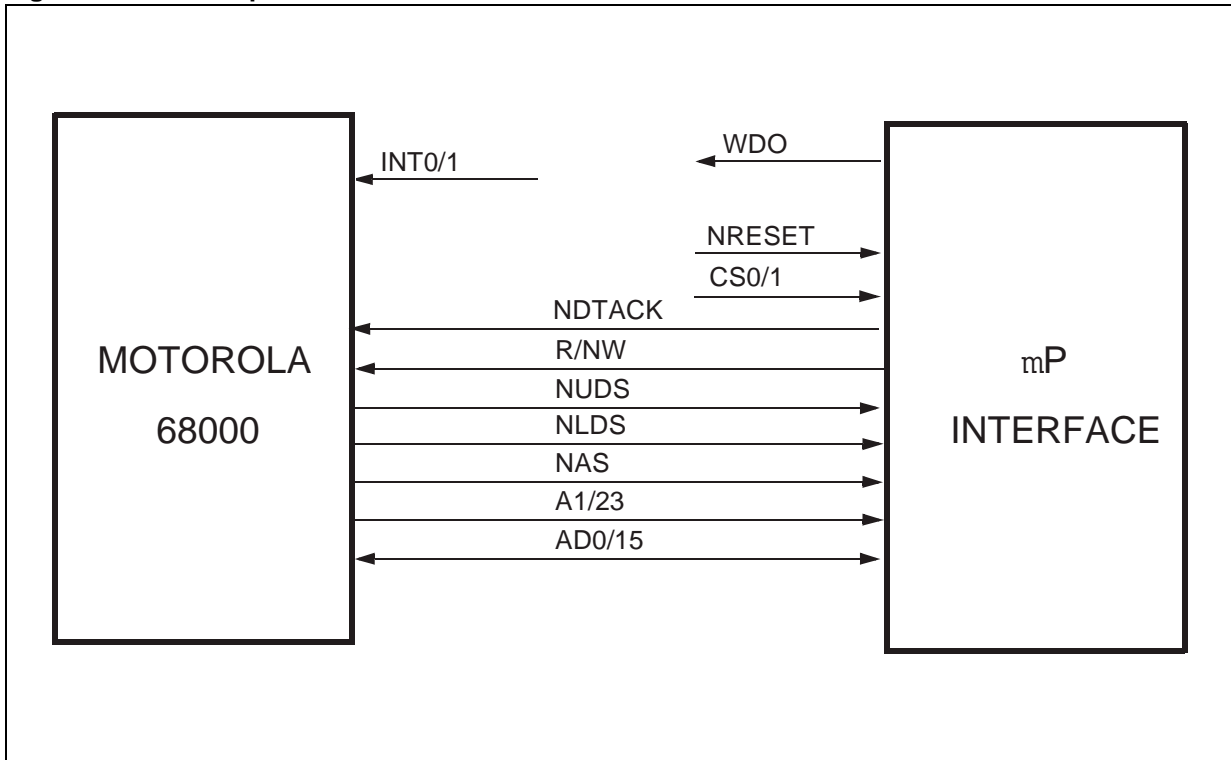


Figure 1-17: Microprocessor interface for MOROLA 68020

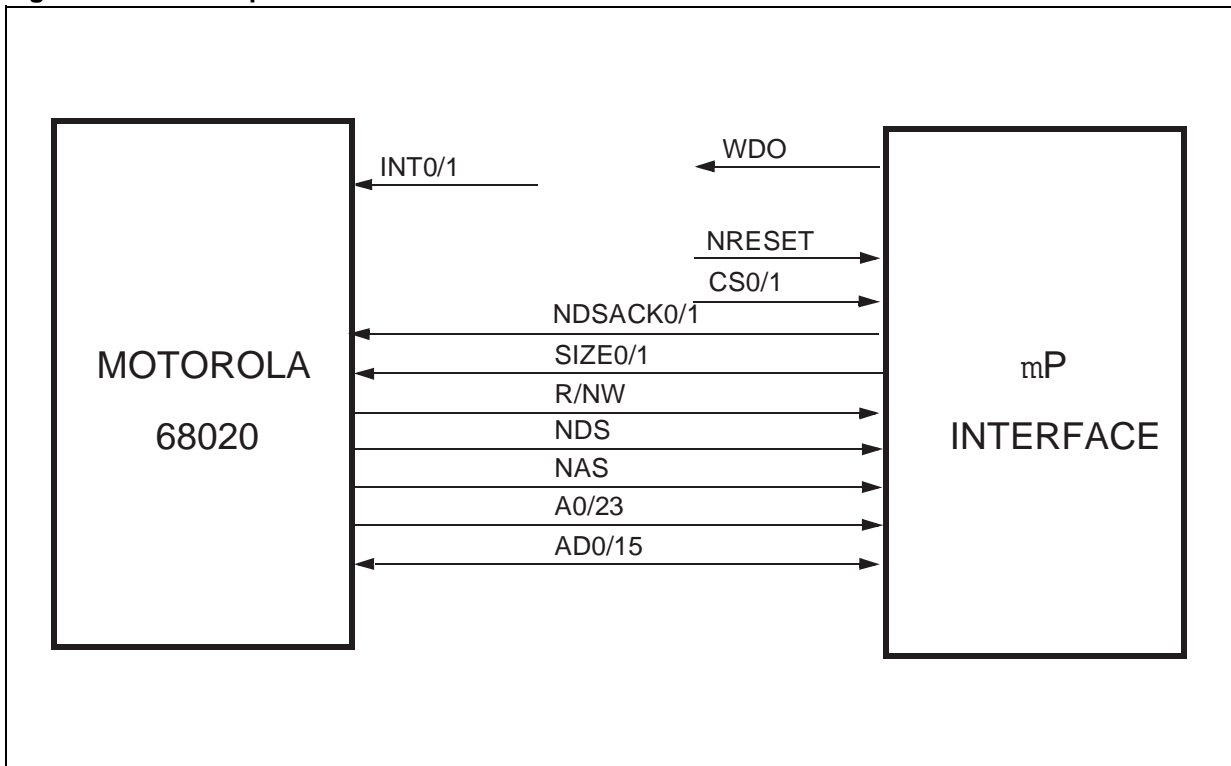


Figure 1-18: Microprocessor interface for ST9

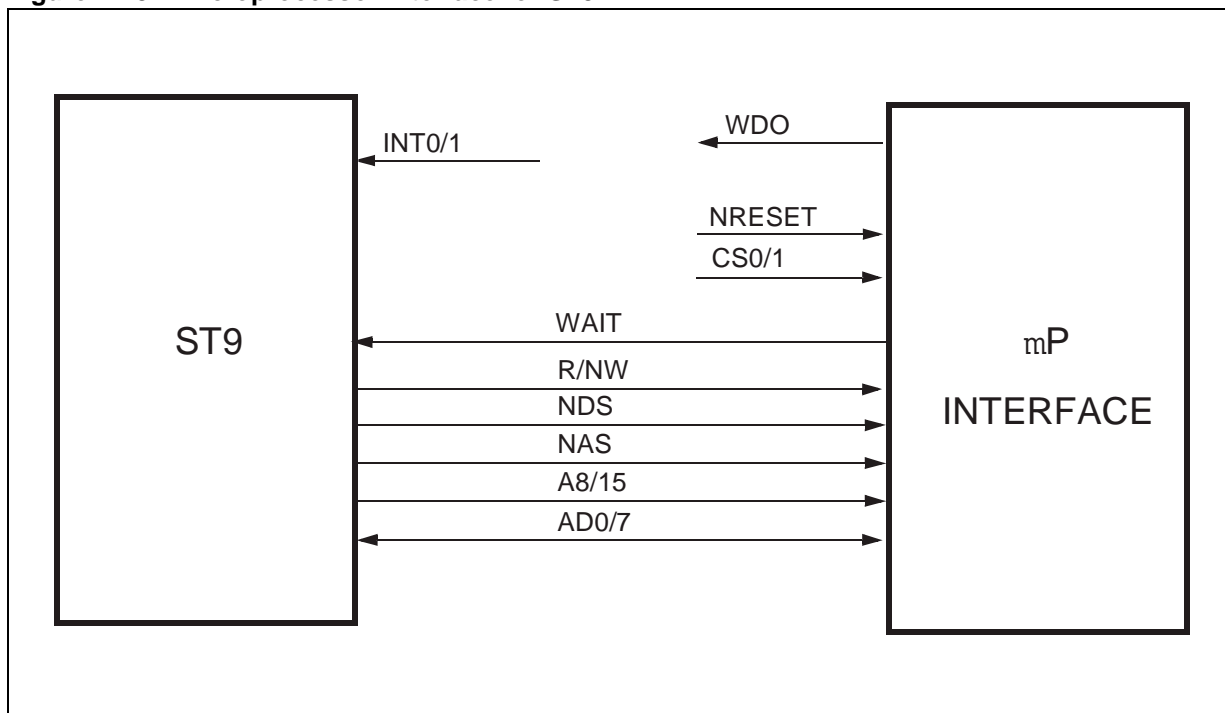
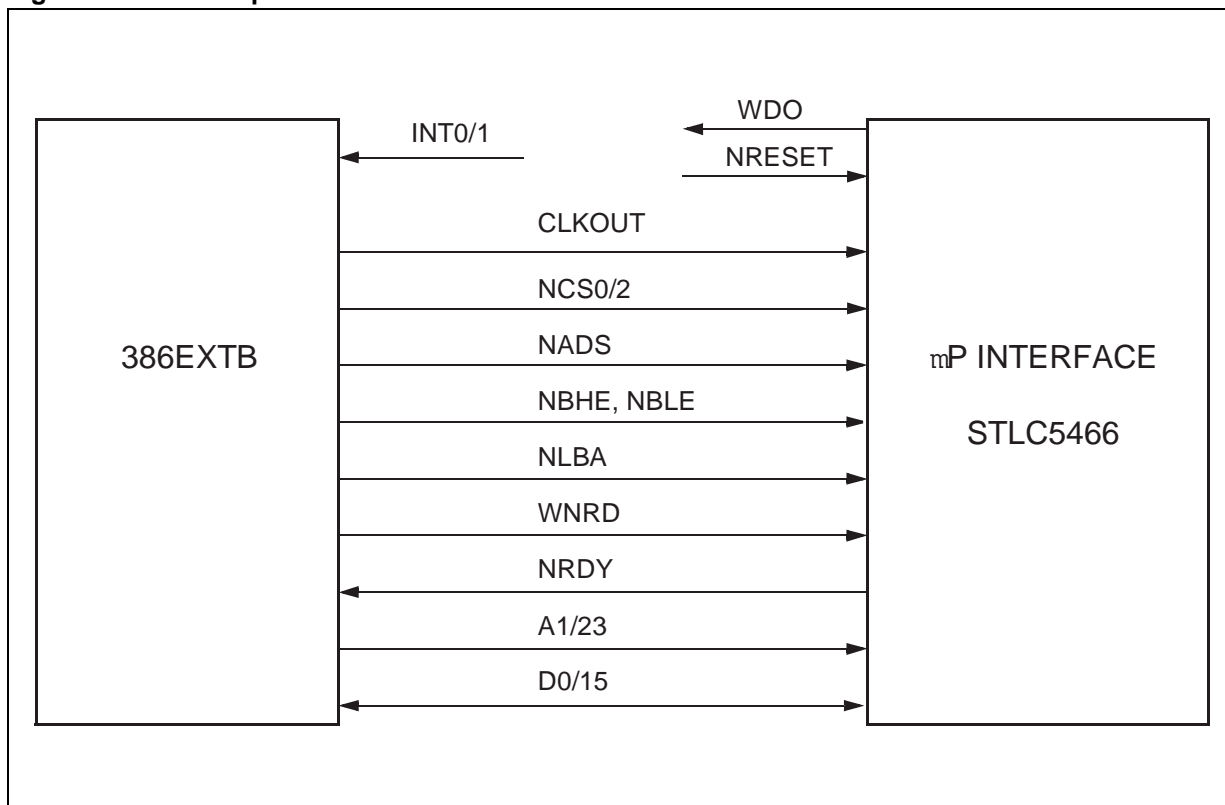


Figure 1-19: Microprocessor interface for INTEL 386EX



1.1 Microprocessor, MHDLC, SDRAM clock distribution

Figure 1-20: Ex1; different clocks for Multi-HDLC and μ P

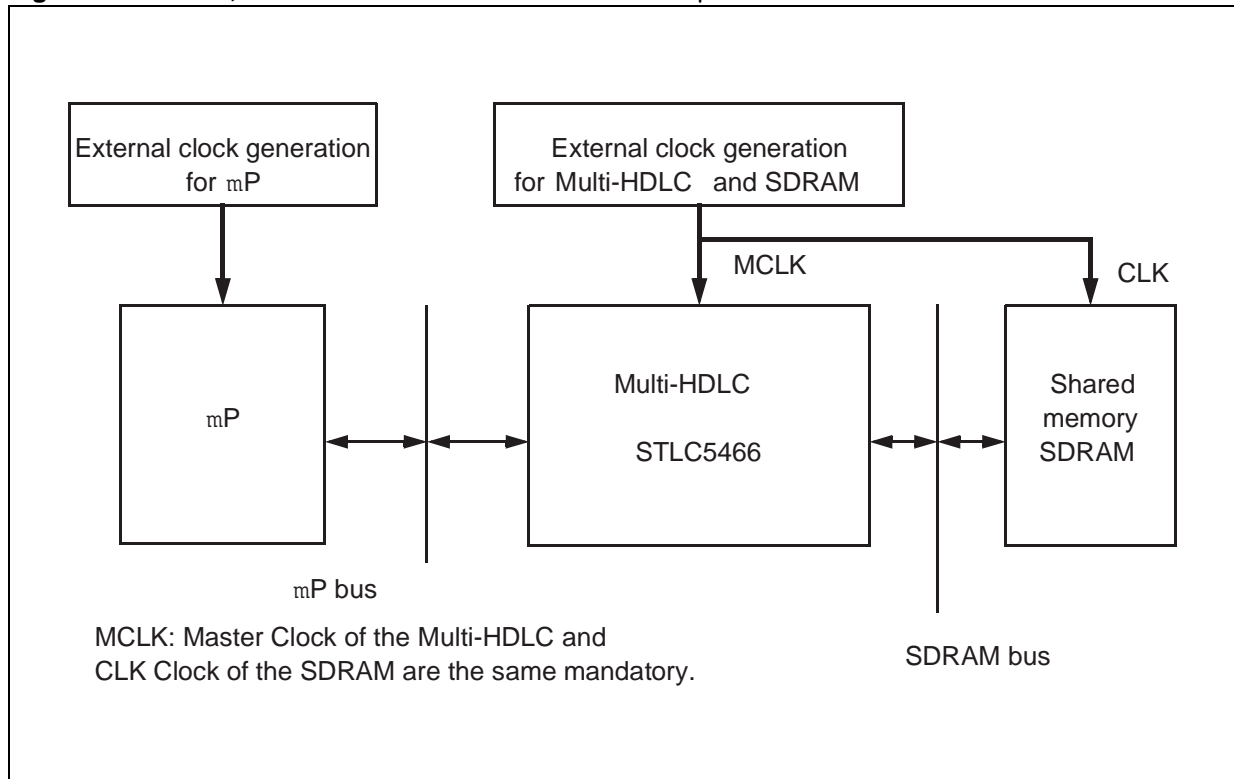
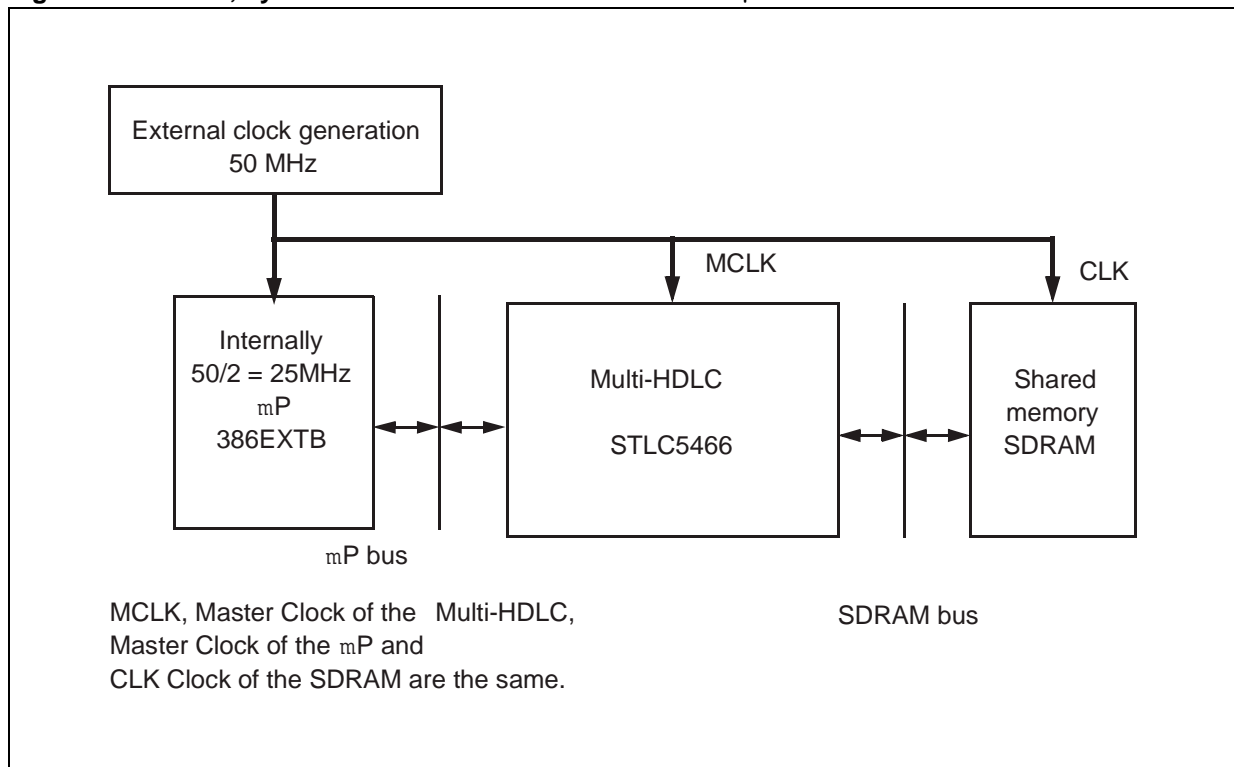


Figure 1-21: Ex2; synchronous clock for Multi-HDLC and μ P



1.2 Memory obtained with 1M x16 SDRAM circuit

Signals	A22	A21
NCE3	1	1
NCE2	1	0
NCE1	0	1
NCE0	0	0

Signals	A0 (or equivalent)
UDQM	1
LDQM	0

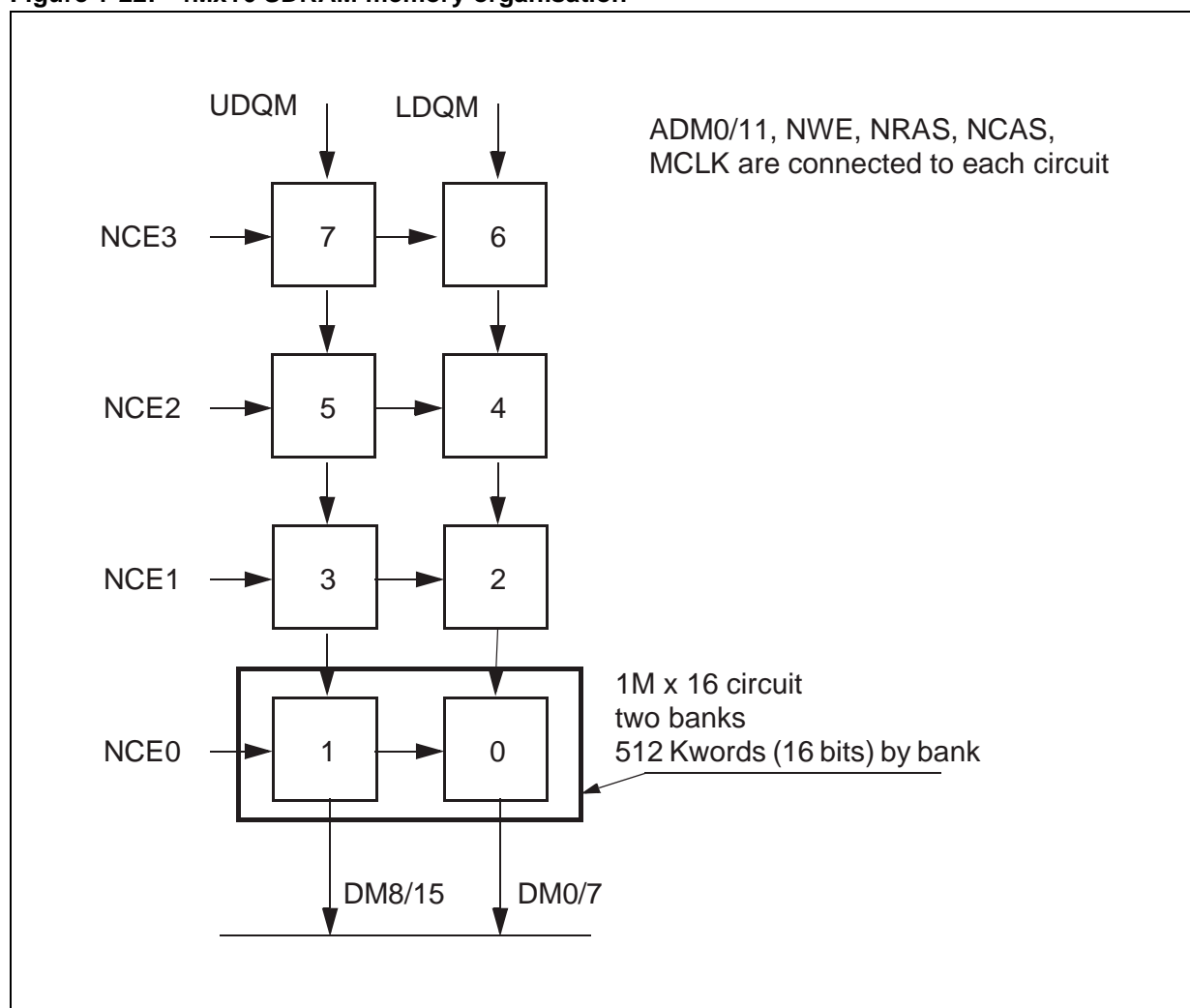
The Address bits delivered by the Multi-HDLC for 1M x n SDRAM circuits are:

ADM11 for Bank select corresponding with A20 delivered by the μ P

ADM0/10 for Row address inputs corresponding with A9/19 delivered by the μ P

ADM0/7 for Column address inputs corresponding with A1/8 delivered by the μ P

Figure 1-22: 4Mx16 SDRAM memory organisation



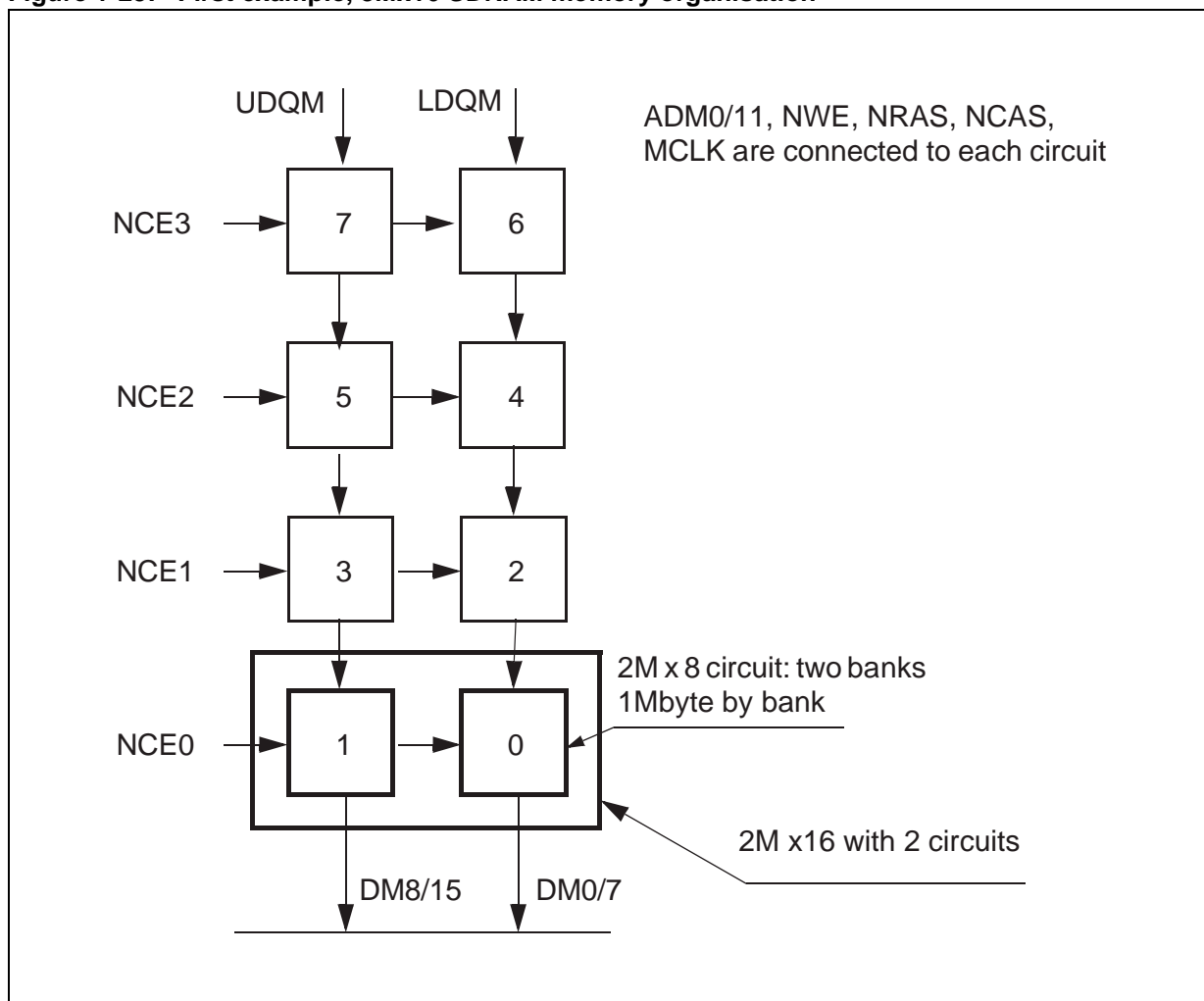
1.3 Memory obtained with 2M x 8 SDRAM circuit

Signals	A23	A22
NCE3	1	1
NCE2	1	0
NCE1	0	1
NCE0	0	0

Signals	A0	NLDS	NUDS
UDQM	1	0	1
LDQM	0	1	0

The Address bits delivered by the Multi-HDLC for 2M x n SDRAM circuits are:
 ADM11 for Bank select corresponding with A21 delivered by the μ P
 ADM0/10 for Row address inputs corresponding with A10/20 delivered by the μ P
 ADM0/8 for Column address inputs corresponding with A1/9 delivered by the μ P

Figure 1-23: First example, 8Mx16 SDRAM memory organisation



1.3.0.1 Memory obtained with 8M x 8 SDRAM circuit:

Signals	A0	NLDS	NUDS
UDQM	1	0	1
LDQM	0	1	0

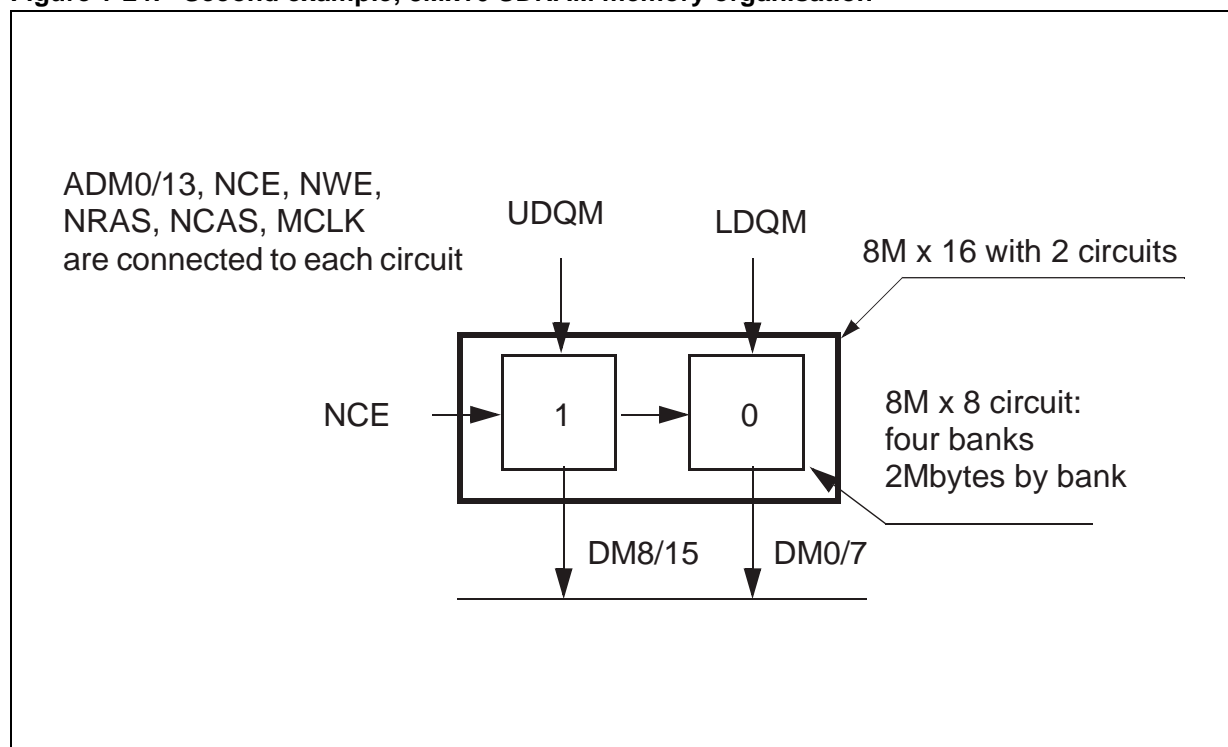
The Address bits delivered by the Multi-HDLC for 8M x n SDRAM circuits are:

ADM12/13 for Bank select corresponding with A22/23 delivered by the μ P

ADM0/11 for Row address inputs corresponding with A10/21 delivered by the μ P

ADM0/8 for Column address inputs corresponding with A1/9 delivered by the μ P

Figure 1-24: Second example, 8Mx16 SDRAM memory organisation



1.3.0.2 Memory obtained with 4M x 16 SDRAM circuit:

Signals	A23
NCE1	1
NCE0	0

Signals	A0	NLDS	NUDS
UDQM	1	0	1
LDQM	0	1	0

The Address bits delivered by the Multi-HDLC for 4M x n SDRAM circuits are:
 ADM12/13 for Bank select corresponding with A21/22 delivered by the μ P
 ADM0/11 for Row address inputs corresponding with A9/20 delivered by the μ P
 ADM0/7 for Column address inputs corresponding with A1/8 delivered by the μ P

Figure 1-25: Third example, 8Mx16 SDRAM memory organisation

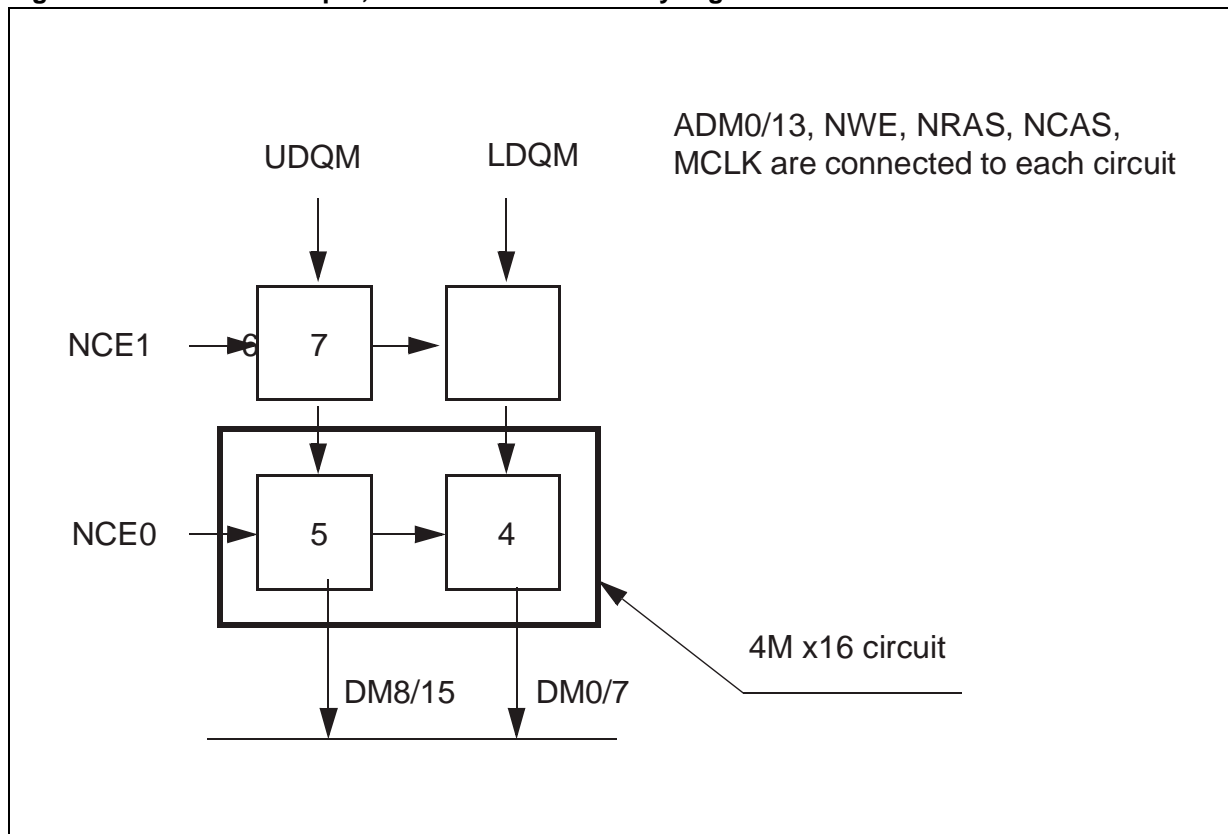


Figure 1-26: Chain of n Multi-HDLC components

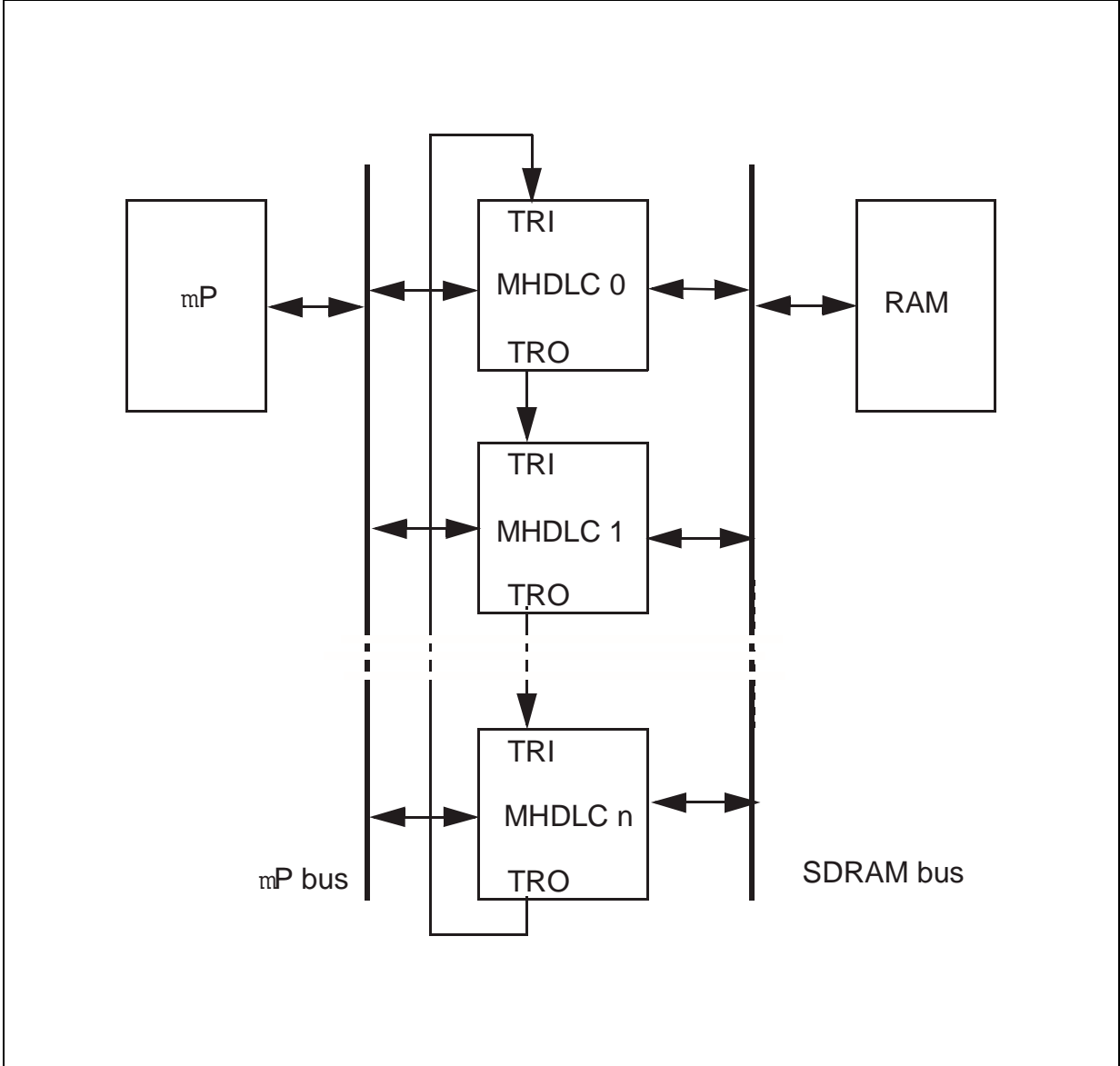


Figure 1-27: MHDLC clock generation

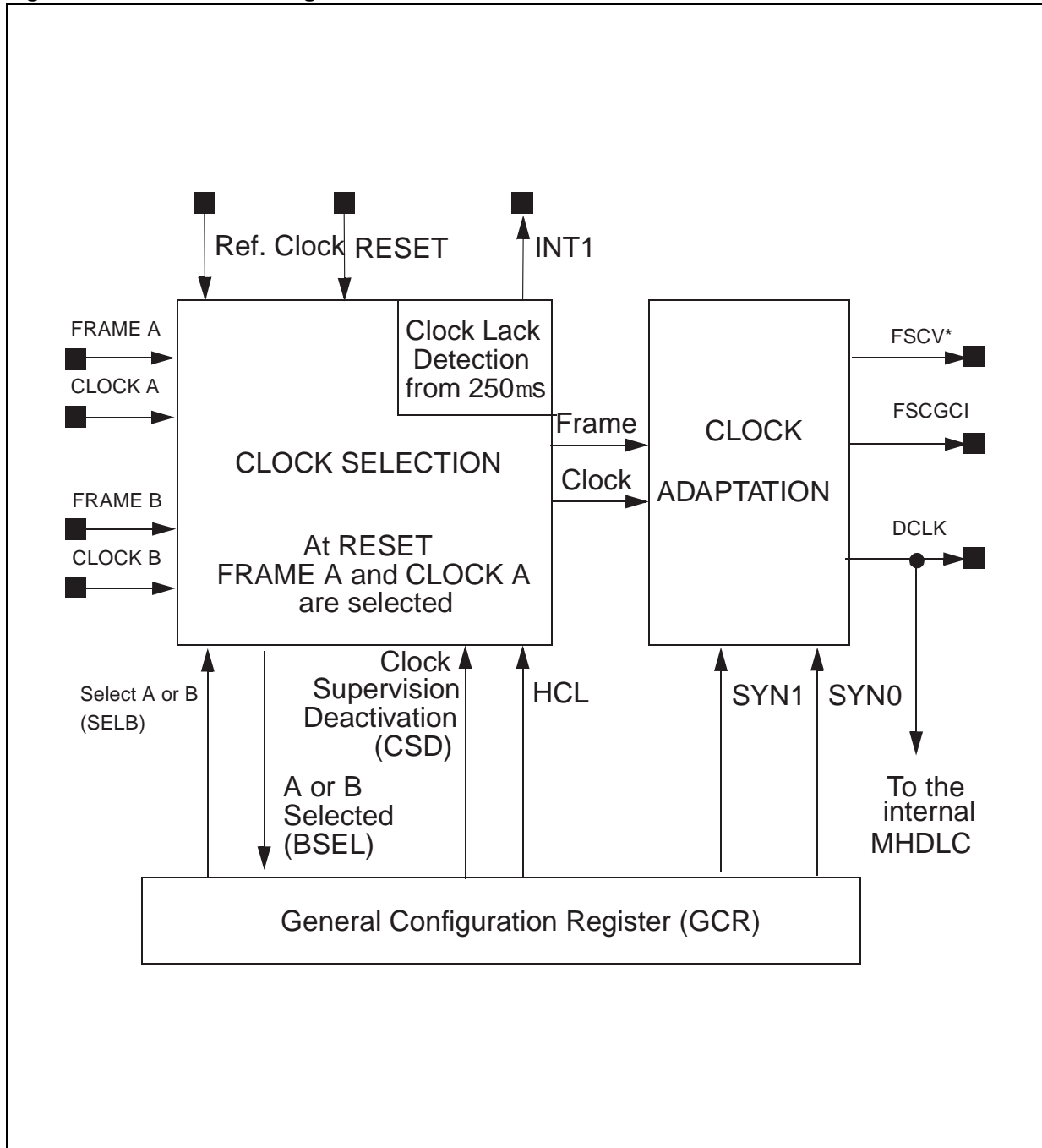


Figure 1-28: VCXO frequency synchronization

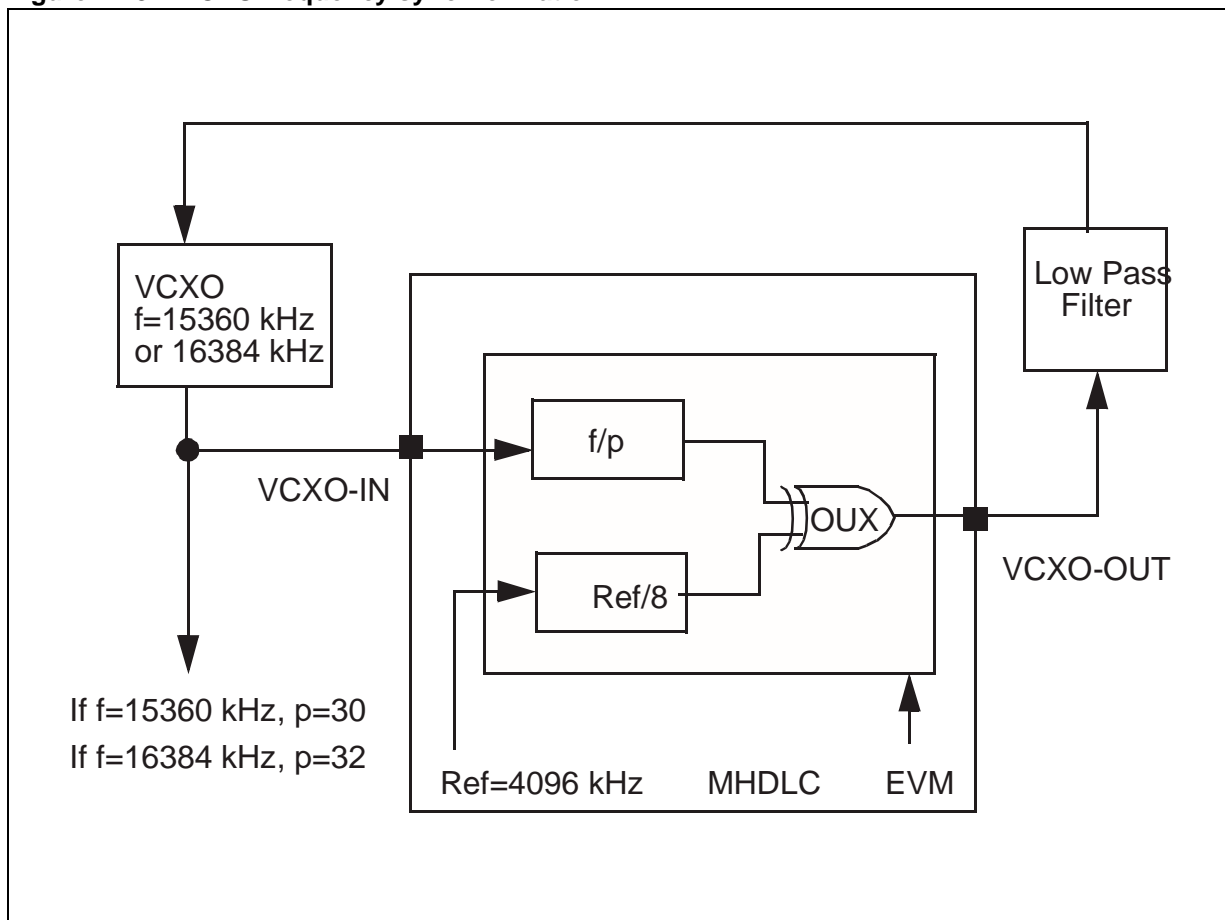
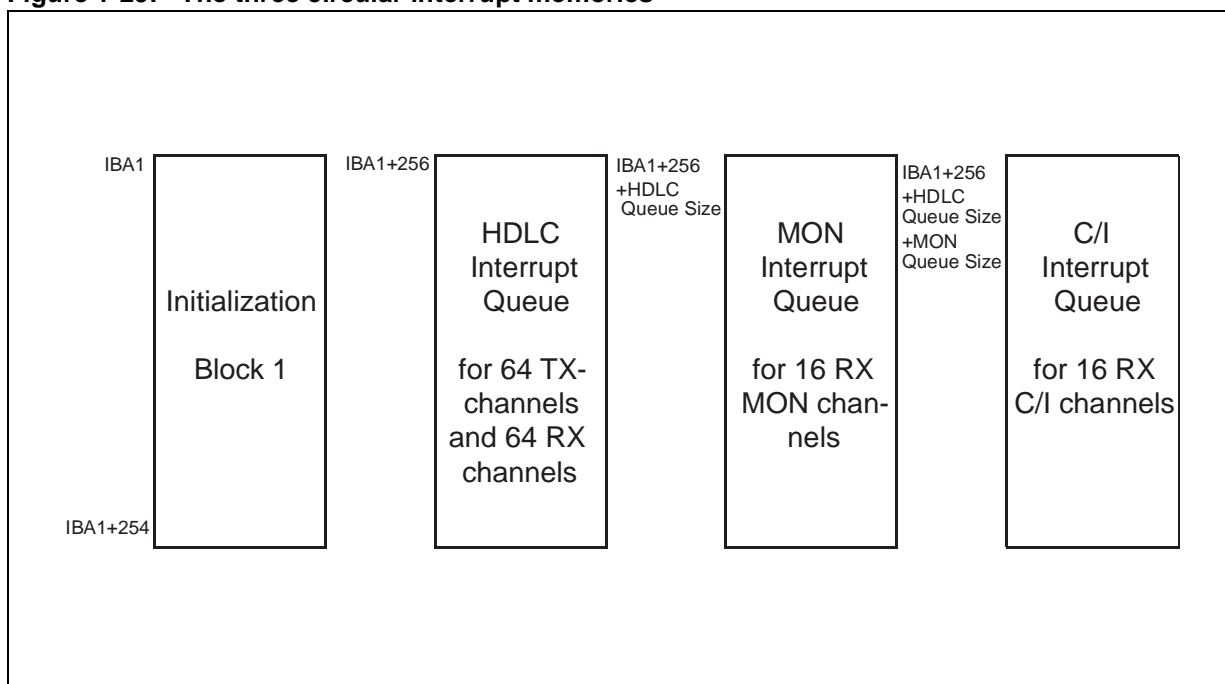


Figure 1-29: The three circular interrupt memories

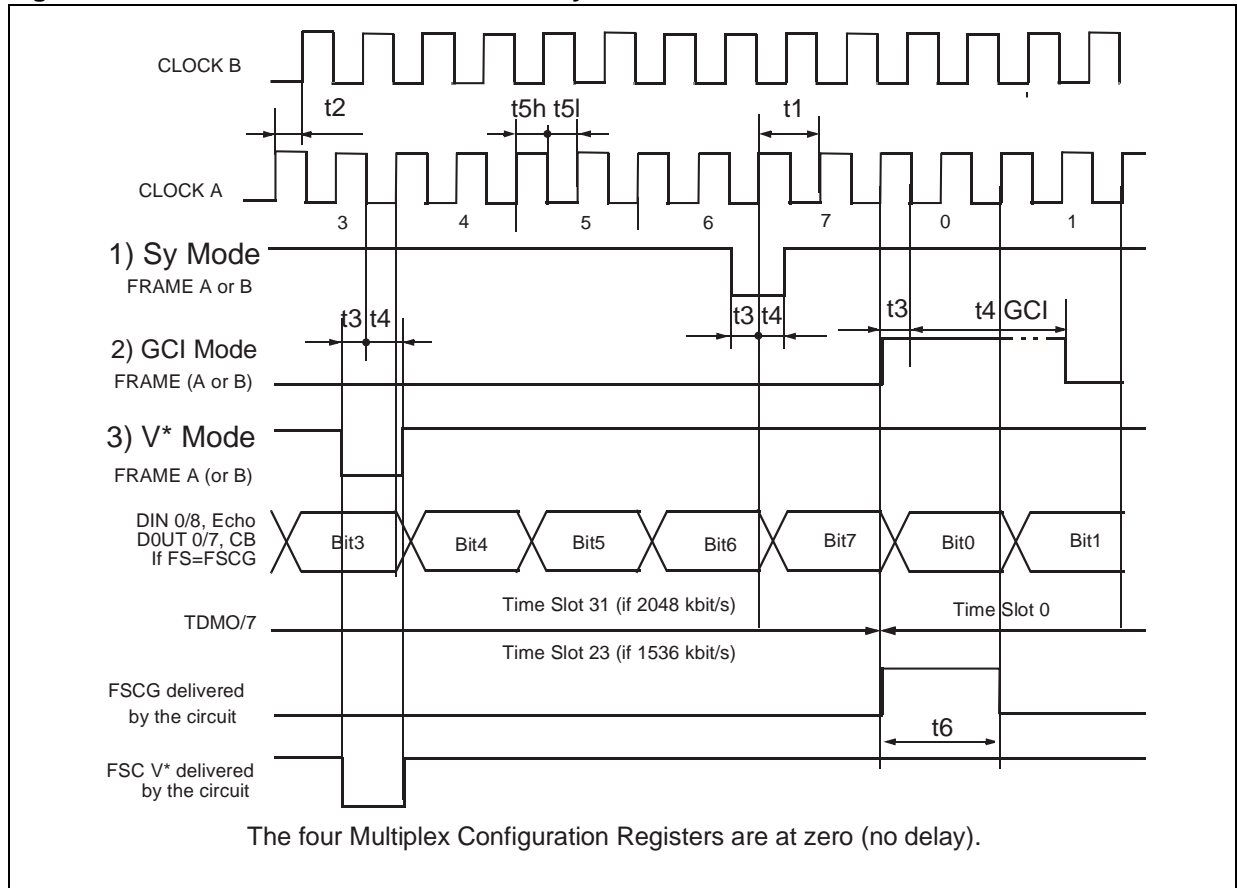


2 CLOCK and TDMs TIMING

2.1 Synchronization signals delivered by the system

For one of three different input synchronizations which is programmed, FSCG and FSCV* signals delivered by the Multi-HDLC are in accordance with the figure hereafter:

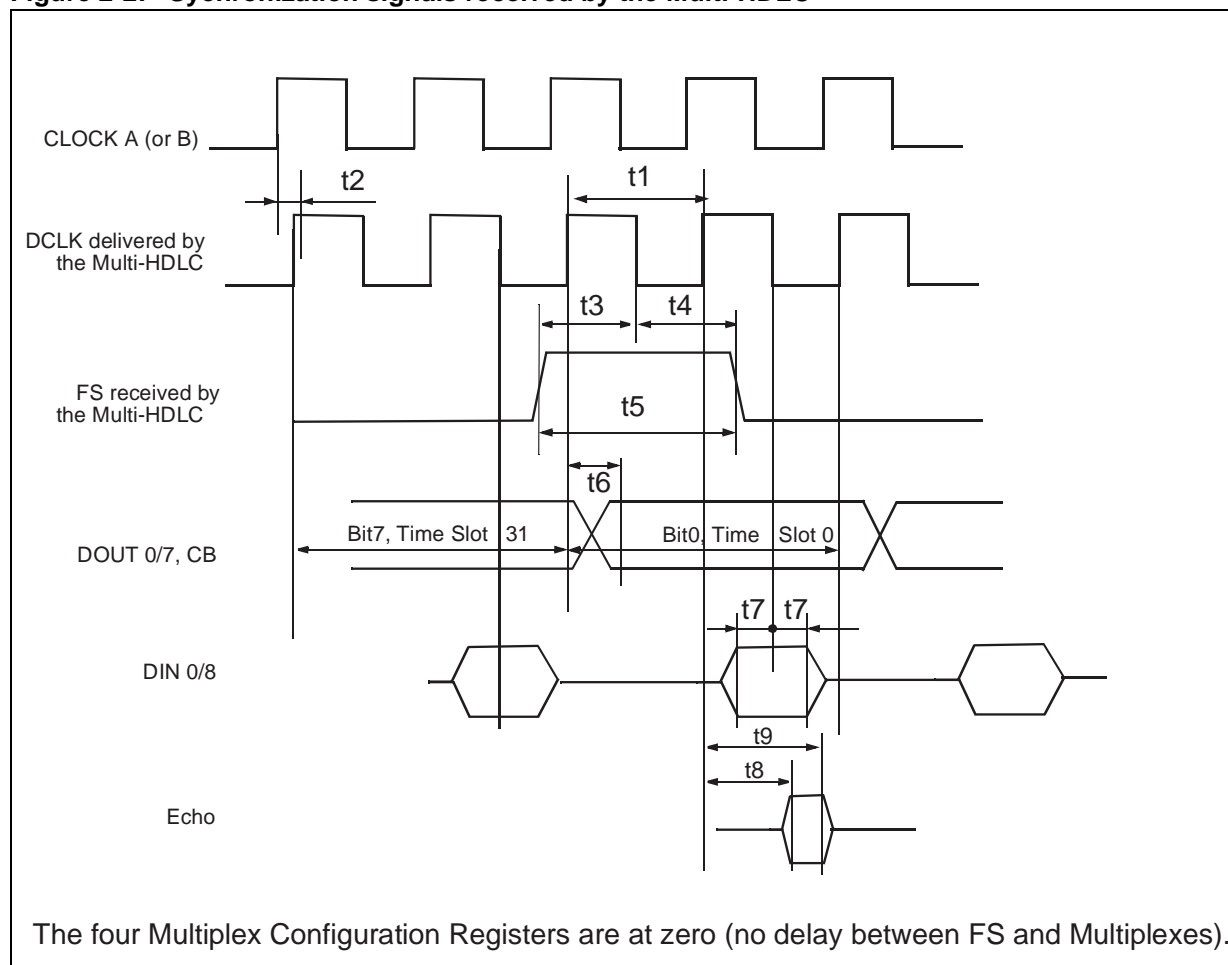
Figure 2-1: Clocks received and delivered by the Multi-HDLC



tx	Parameter	T min.	T typ	T max	Unit
t1	Clock Period if 4096 kHz (3072) Clock Period if 8192 kHz (6144)	239 (320) 120 (158)	244 (325) 122 (162)	249 (330) 125 (165)	ns ns
t2	Delay between Clock A and Clock B	- 60	0	+60	ns
t3	Set up time Frame A/CLOCK A	10		t1-10	ns
t4	Hold time Frame A (or B)/CLOCK A (or B)	10		t1-10	ns
t4GCI	Duration of Frame A (or B)	10		125000-(t1-10)	ns
t5	Clock ratio t5h/t5l	75%	100%	125%	%
t6	Duration of FSCG		488 (650)		ns

2.2 TDM synchronization

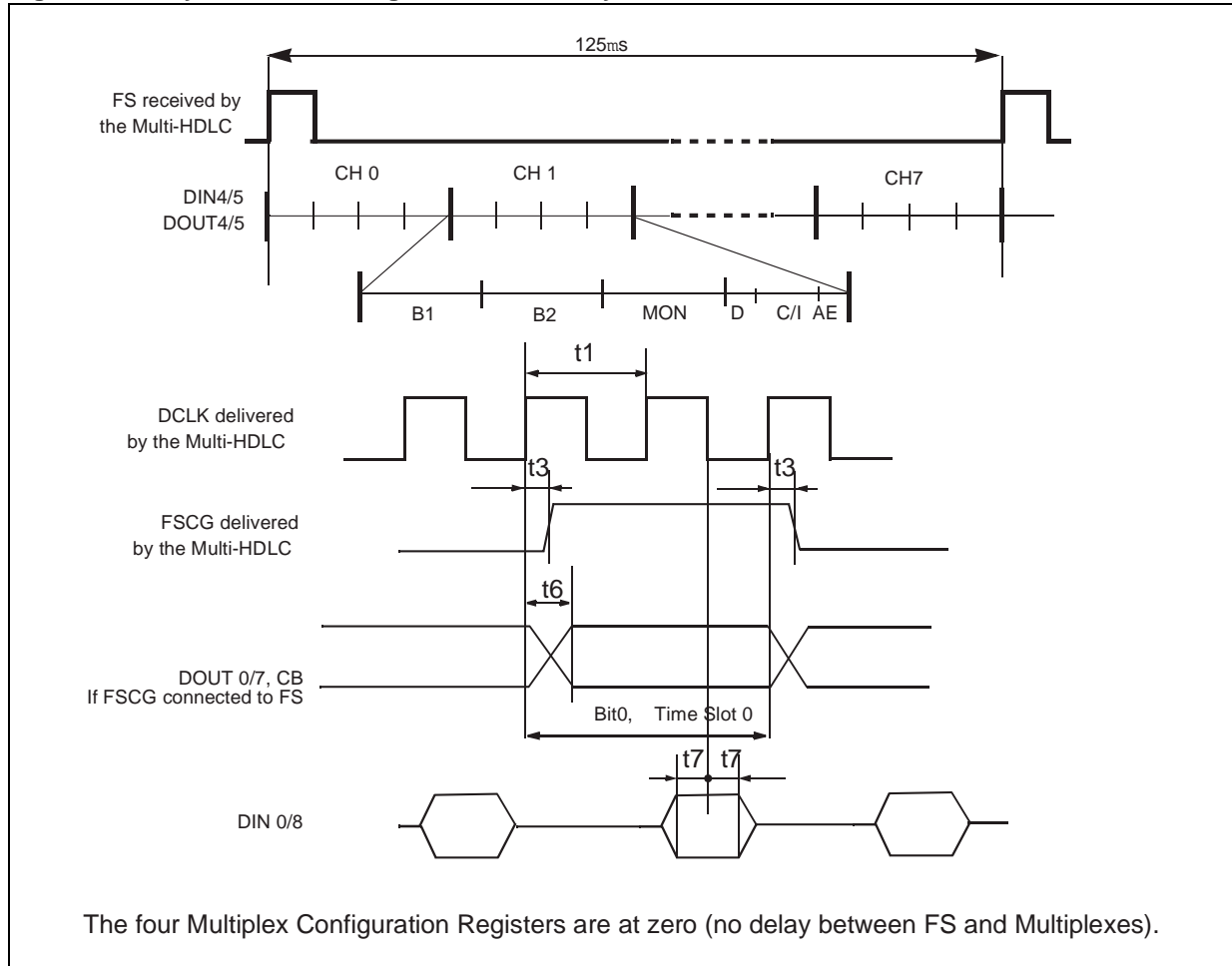
Figure 2-2: Synchronization signals received by the Multi-HDLC



	Parameter	T min	T typ	T max	Unit
t1	DCLK Clock Period if 4096 kHz (3072) DCLK Clock Period if 2048 kHz (1536)	1d CLOCKA or B (T min)	244 (325) 488 (651)	1d CLOCKA or B (T max)	ns ns
t2	Delay between CLOCK A or B and DCLK (30pF)		5	30	ns
t3	Set up time FS/DCLK	20		t1-20	ns
t4	Hold time FS/DCLK	20			ns
t5	Duration FS	244 (325)		125000-244	ns
t6	DCLK to data 50 pF DCLK to data 100 pF			50 100	ns ns
t7	Set up time data/DCLK	20			ns
t7	Hold time data/DCLK	20			ns
t8	Set up Echo/DCLK (rising edge)			155	ns
t9	Hold time Echo/DCLK (rising edge)	205			ns

2.3 GCI interface

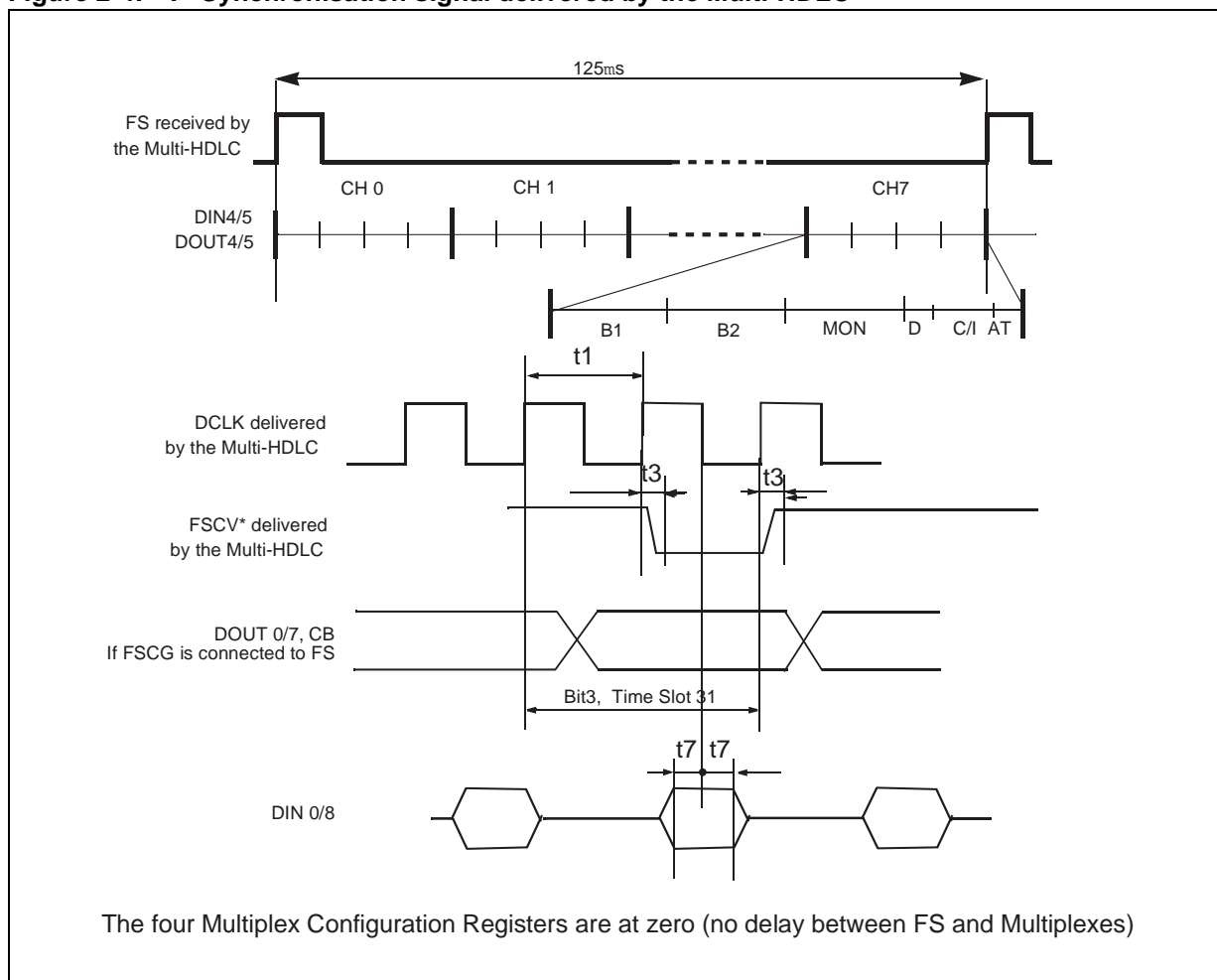
Figure 2-3: Synchronization signals delivered by the Multi-HDLC



	Parameter	T min	T typical	T max
t1	DCLK Clock Period if 4096 kHz (3072) DCLK Clock Period if 2048 kHz (1536)	Id CLOCKA or B (T min)	244 (325) 488 (651)	Id CLOCKA or B (T max)
t3	DCLK to FSCG			20
t5	Duration FS		244	125000-244
t6	DCLK to data 50 pF DCLK to data 100 pF			50 100
t7	Set up time data/DCLK	20		
t7	Hold time data/DCLK	20		

2.4 V* interface

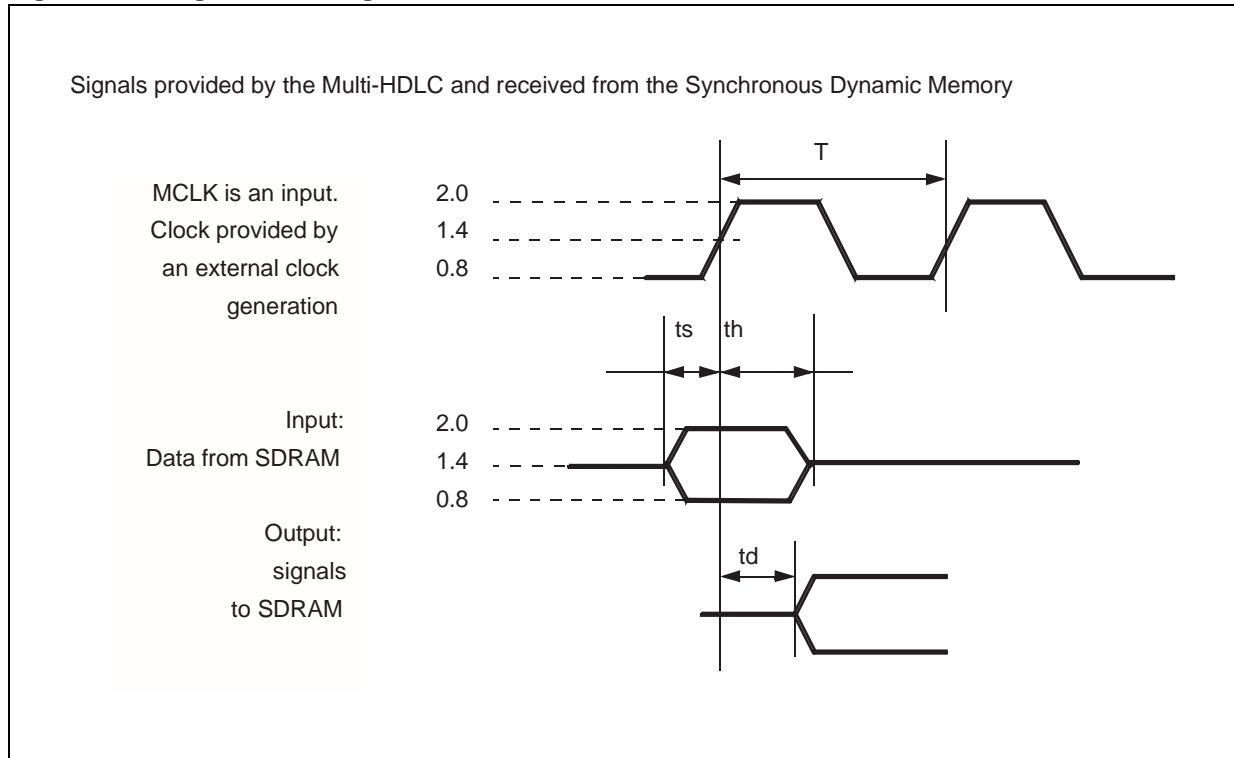
Figure 2-4: V* Synchronisation signal delivered by the Multi-HDLC



	Parameter	T min	T typical	T max
t1	Clock Period 4096 kHz		244	
t3	DCLK to FSCV*			20
t5	Duration FSCV*		244	
t6	Clock to data 50 pF Clock to data 100 pF			50 100
t7	Set up time data/DCLK	20		
t7	Hold time data/DCLK	20		
	Parameter	T min	T typical	T max

3 SDRAM MEMORY TIMING

Figure 3-1: Signals exchanged between SDRAM controller and SDRAM

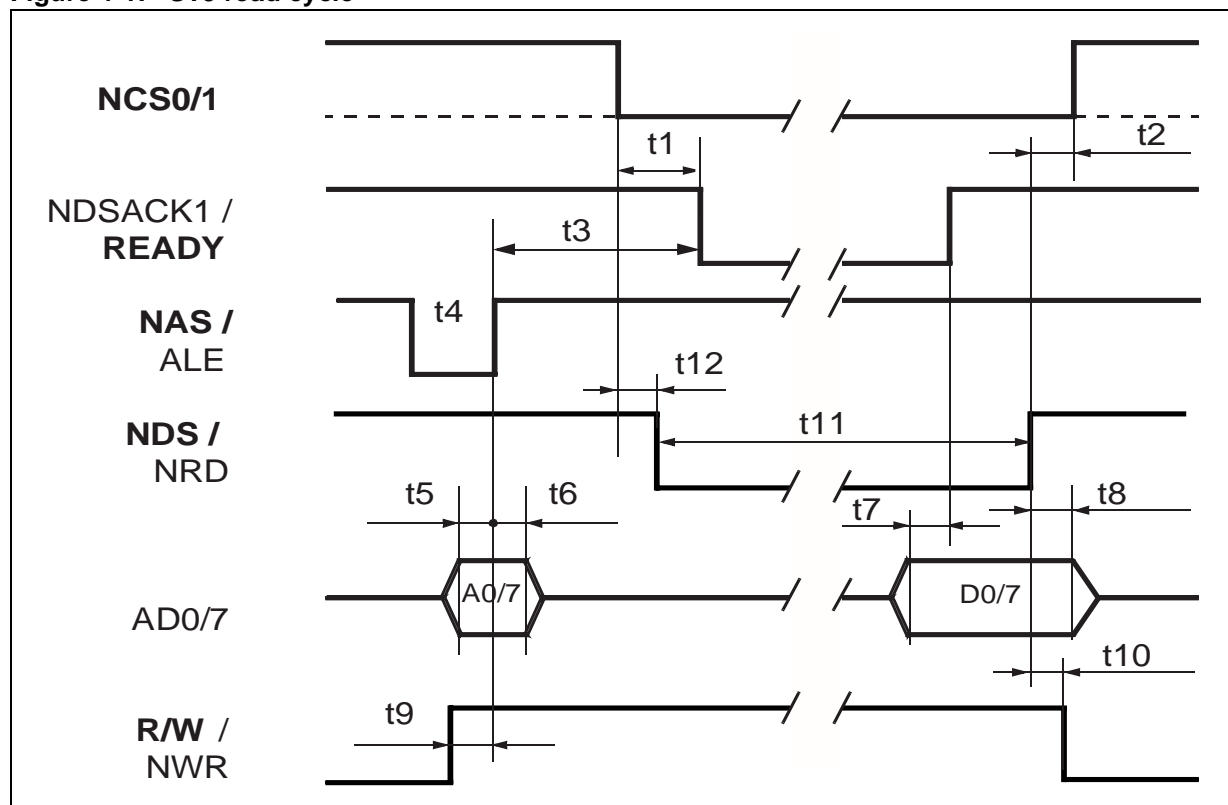


	Parameter	T min	T max	Unit
T	$1/T = 33, 50$ or 66 MHz			
t_s	Data in set up time	3		ns
t_h	Data in Hold time	2		ns
t_d	Delay between rising edge of CLK and each signal delivered by the Multi-HDLC $C_L = 5$ pF ($V_{dd} = 3.3V \pm 5\%$ Temp 0 to 70°C) $C_L = 30$ pF $C_L = 50$ pF	3 3 3	10 12 20	ns ns ns

4 MICROPROCESSOR TIMING

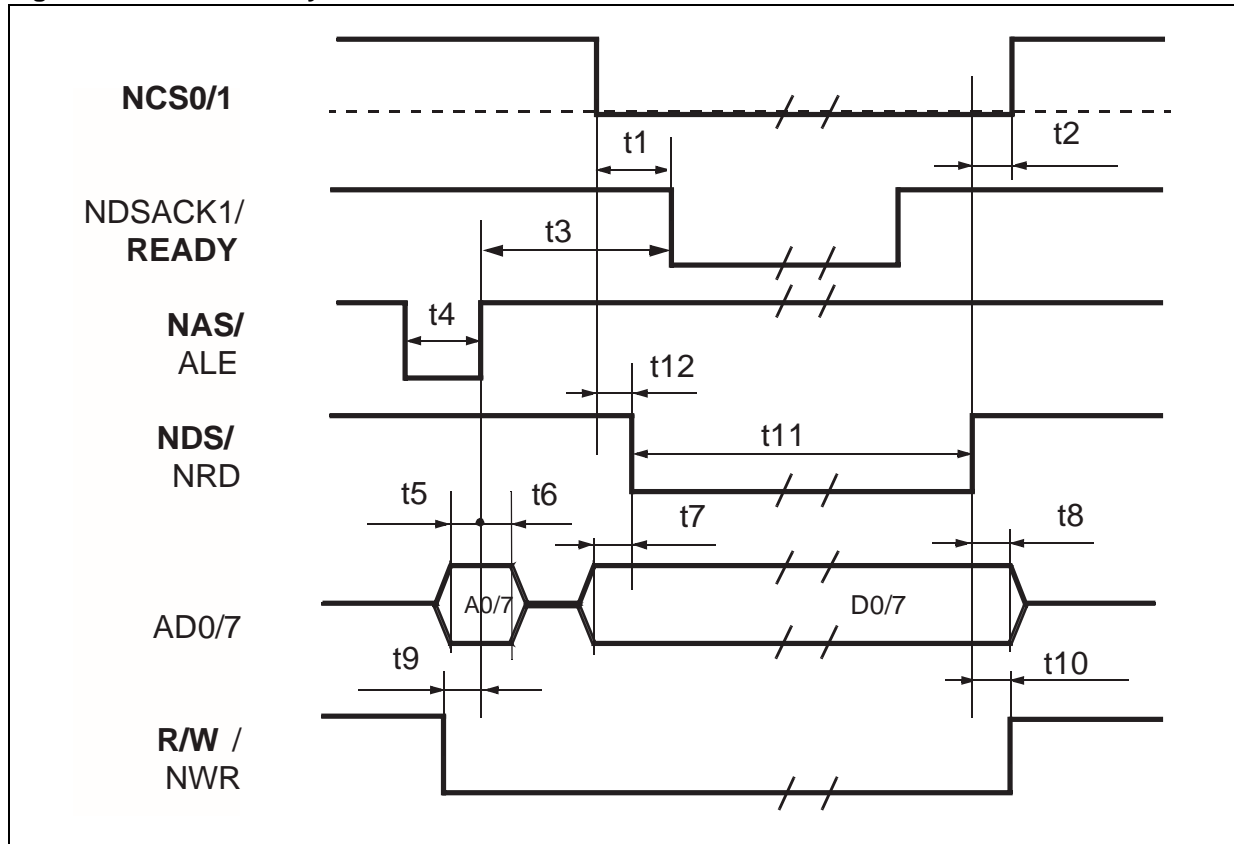
4.1 ST9 family; MOD0 = 1, MOD1 = 0, MOD2 = 0

Figure 4-1: ST9 read cycle



tx	Parameter	T min	T max	Unit
t1	Delay ready /Chip Select (if $t3 > t1$), (30 pF) Delay when immediate access	0	98	ns ns
t2	Hold time Chip Select /Data Strobe	14		ns
t3	Delay ready /NAS (if $t1 > t3$), (30 pF) Delay when immediate access	0	98	ns ns
t4	Width NAS	20		ns
t5	Set up time Address /NAS	9		ns
t6	Hold time Address /NAS	9		ns
t7	Data valid before ready	0		ns
t8	Data bus at high impedance after Data Strobe (30 pF)	0	15	ns
t9	Set up time R/W /NAS	15		ns
t10	Hold time R/W /Data Strobe	15		ns
t11	Width NDS when immediate access	50		ns
t12	Delay NDS / NCS	5		ns

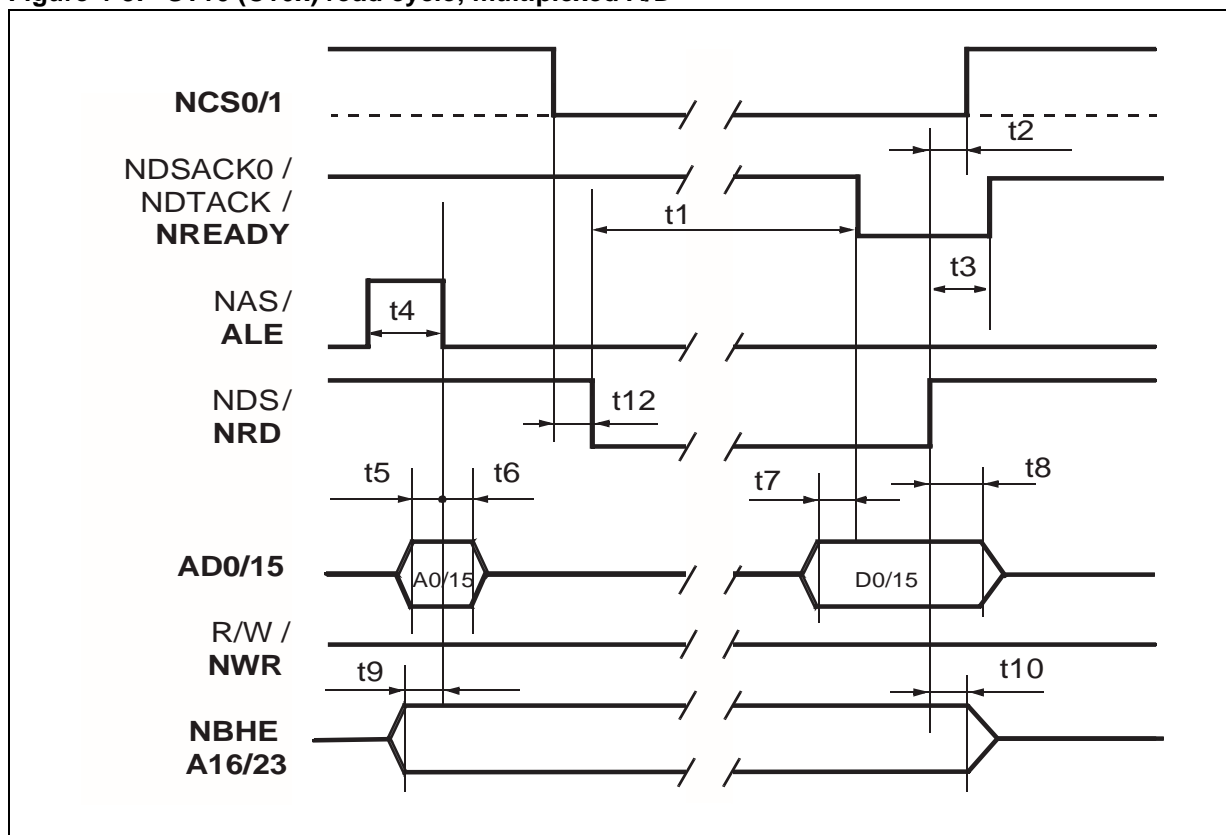
Figure 4-2: ST9 write cycle



tx	Parameter	T min	T max	Unit
t1	Delay ready /Chip Select (if $t_3 > t_1$), (30 pF) Delay when immediate access	0	98	ns ns
t2	Hold time Chip Select /Data Strobe	14		ns
t3	Delay ready /NAS (if $t_1 > t_3$), (30 pF) Delay when immediate access	0	98	ns ns
t4	Width NAS	20		ns
t5	Set up time Address /NAS	9		ns
t6	Hold time Address /NAS	9		ns
t7	Set up time Data /Data Strobe	-15		ns
t8	Hold time Data /Data Strobe	15		ns
t9	Set up time R/W /NAS	15		ns
t10	Hold time R/W /Data Strobe	15		ns
t11	Width NDS when immediate access	50		ns
t12	Delay NDS / NCS	5		ns

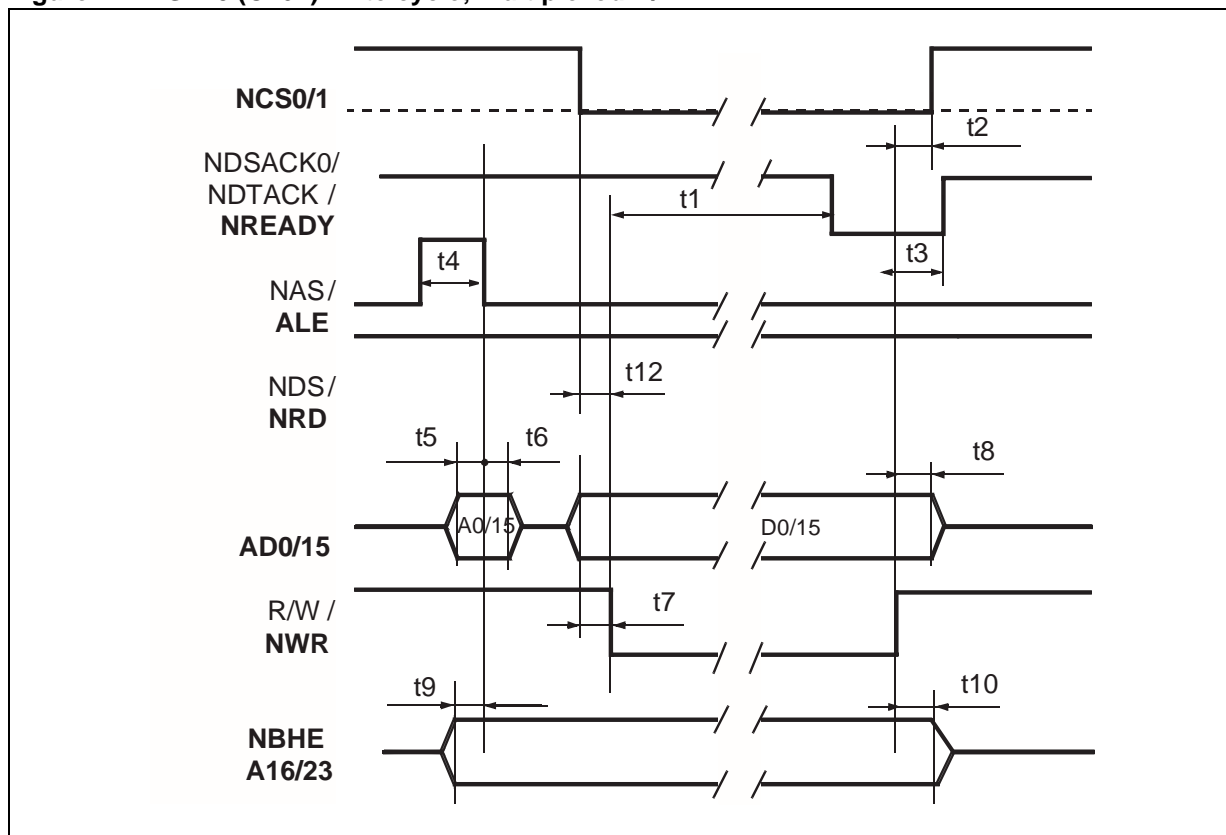
4.2 ST10/C16x mult. A/D; MOD0 = 1, MOD1 = 0, MOD2 = 1

Figure 4-3: ST10 (C16x) read cycle; multiplexed A/D



tx	Parameter	T min	T max	Unit
t1	Delay NOT READY /NRD (if NCS0/1=0), (30 pF) Delay when immediate access	0	98	ns ns
t2	Hold time Chip Select / NRD	10		ns
t3	Delay NOT READY / NRD rising edge Delay when immediate access	0	98	ns ns
t4	Width ALE	20		ns
t5	Set up time Address /ALE	5		ns
t6	Hold time Address /ALE	5		ns
t7	Data valid before ready	0		ns
t8	Data bus at high impedance after NRD (30 pF)	0	15	ns
t9	Set up time NBHE, AddressA16/23 /ALE	5		ns
t10	Hold time NBHE / NRD	10		ns
t12	Delay NRD / NCS	0		ns

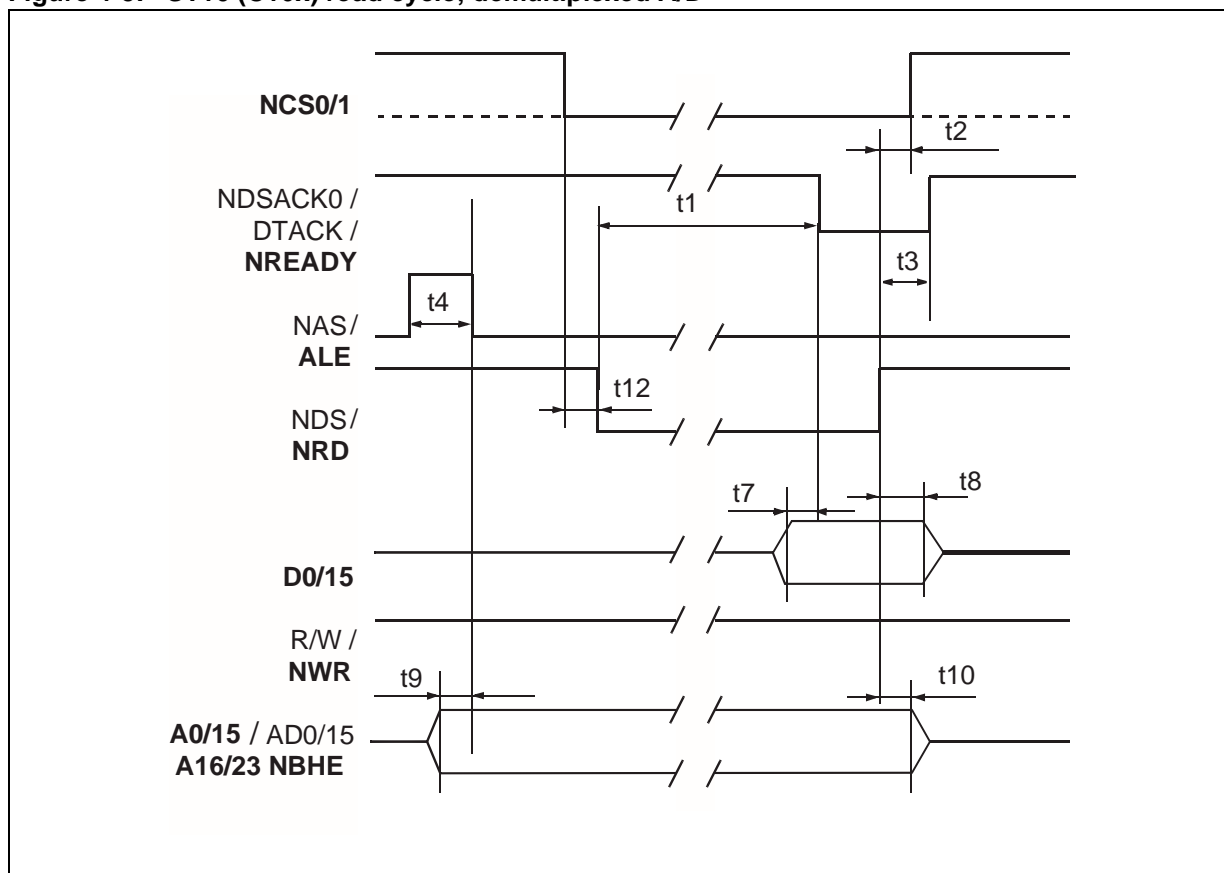
Figure 4-4: ST10 (C16x) write cycle; multiplexed A/D



tx	Parameter	T min	T max	Unit
t1	Delay NOT READY /ALE (if NCS0/1=0), (30 pF) Delay when immediate access	0	98	ns ns
t2	Hold time Chip Select / NWR	10		ns
t3	Delay NOT READY / NWR rising edge Delay when immediate access	0	98	ns ns
t4	Width ALE	20		ns
t5	Set up time Address /ALE	5		ns
t6	Hold time Address /ALE	5		ns
t7	Set up time Data /NWR	-15		ns
t8	Hold time Data /NWR	15		ns
t9	Set up time NBHE-AddressA16/23 /ALE	5		ns
t10	Hold time NBHE-/NWR	10		ns
t12	Delay NWR / NCS	0		ns

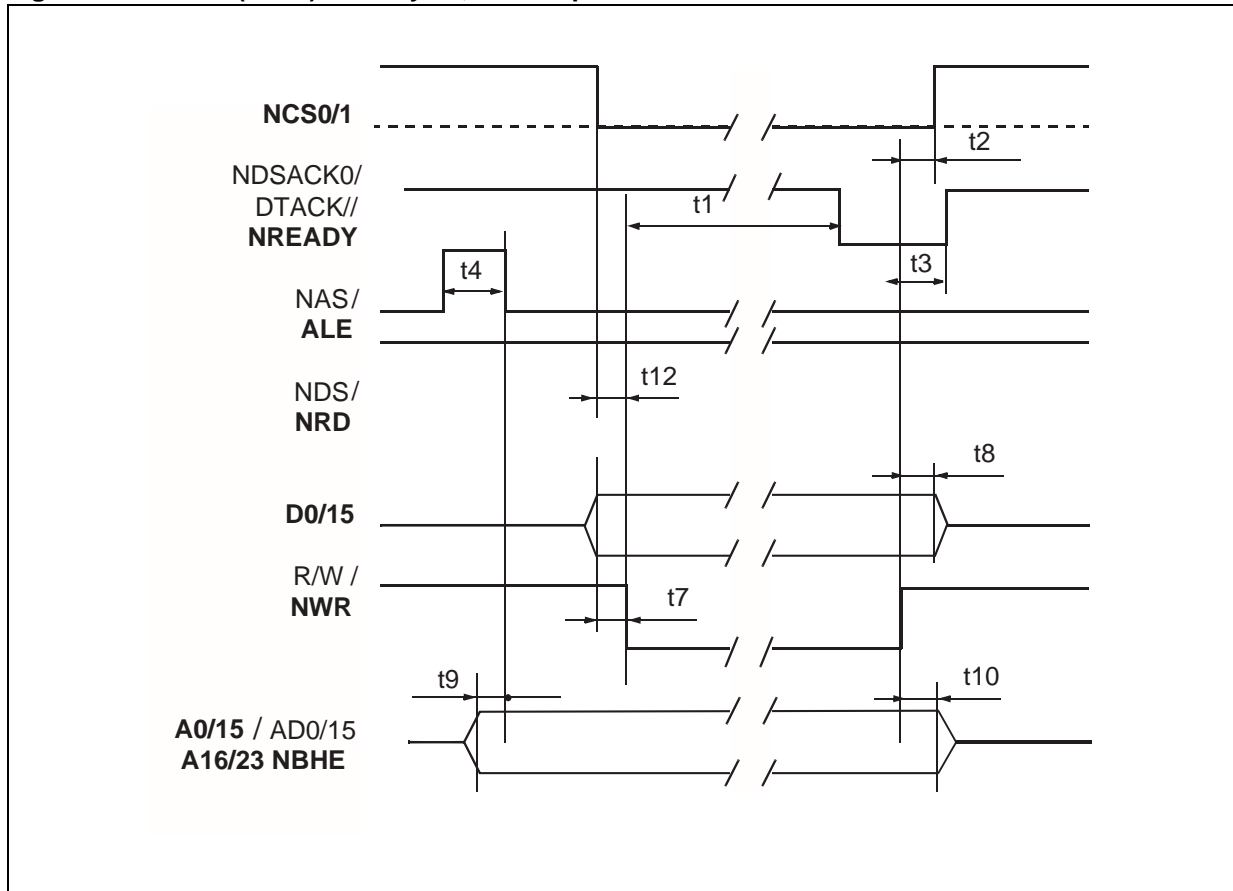
4.3 ST10/C16x demult. A/D; MOD0 = 0, MOD1 = 1, MOD2 = 1

Figure 4-5: ST10 (C16x) read cycle; demultiplexed A/D



tx	Parameter	T min	T max	Unit
t1	Delay NOT READY / NRD (if NCS0/1=0), (30 pF) Delay when immediate access	0	98	ns ns
t2	Hold time Chip Select / NRD	10		ns
t3	Delay NOT READY / NRD rising edge Delay when immediate access	0	98	ns ns
t4	Width ALE	20		ns
t7	Data valid before NOTREADY falling edge (30 pF)	0		ns
t8	Data bus at high impedance after NRD (30 pF)	0	15	ns
t9	Set up time NBHE, Address AD0/15, A16/ /ALE	5		ns
t10	Hold time NBHE, Address AD0/15, A16/23 / NRD	10		ns
t12	Delay NRD / NCS	0		ns

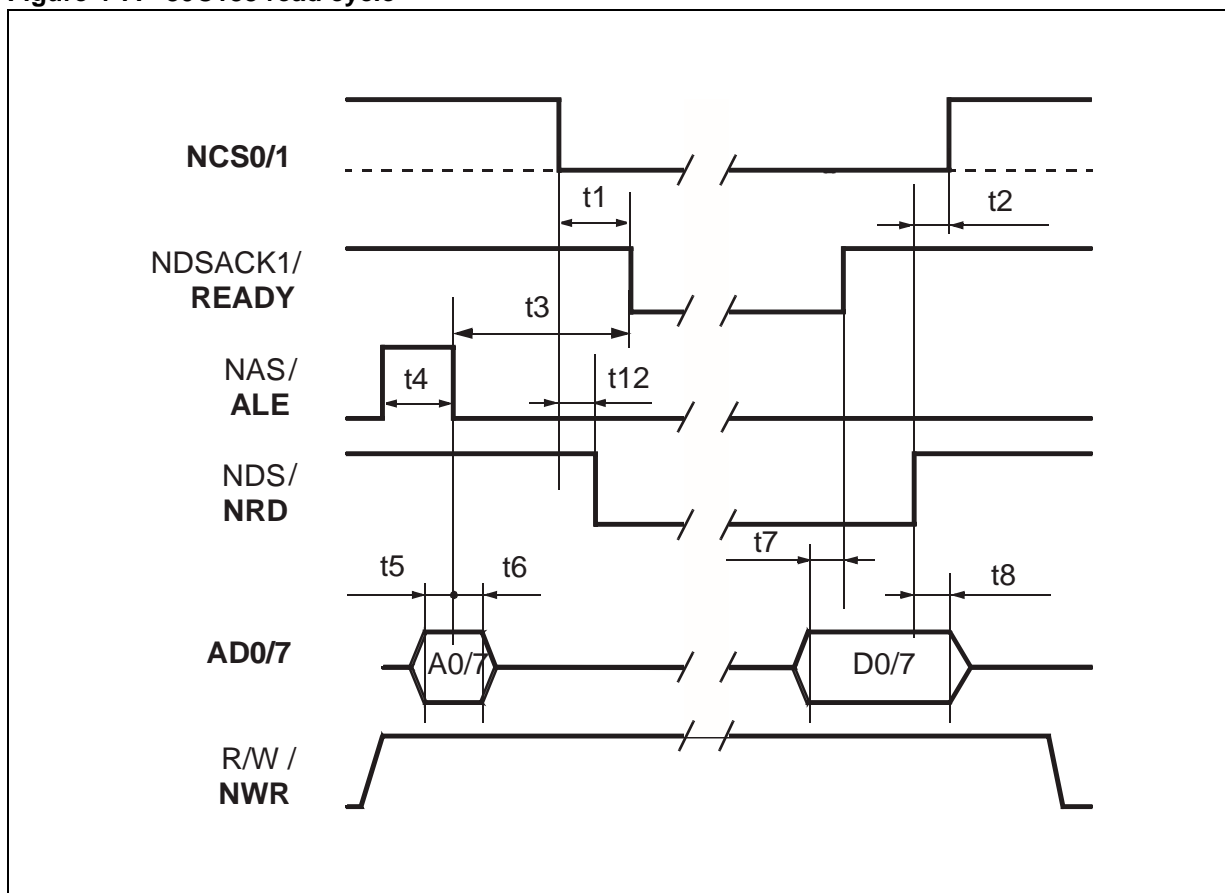
Figure 4-6: ST10 (C16x) write cycle; demultiplexed A/D



tx	Parameter	T min	T max	Unit
t1	Delay NOT READY / NWR (if NCS0/1=0), (30 pF) Delay when immediate access	0	98	ns ns
t2	Hold time Chip Select / NWR	10		ns
t3	Delay NOT READY / NWR rising edge Delay when immediate access	0	98	ns ns
t4	Width ALE	20		ns
t7	Set up time Data /NWR	-15		ns
t8	Hold time Data /NWR	15		ns
t9	Set up time NBHE, Address AD0/15, A16/23 /ALE	5		ns
t10	Hold time NBHE, Address AD0/15, A16/23 /NWR	10		ns
t12	Delay NWR / NCS	0		ns
tx	Parameter	T min	T max	Unit
t1	Delay NOT READY / NWR (if NCS0/1=0), (30 pF) Delay when immediate access	0	30	ns

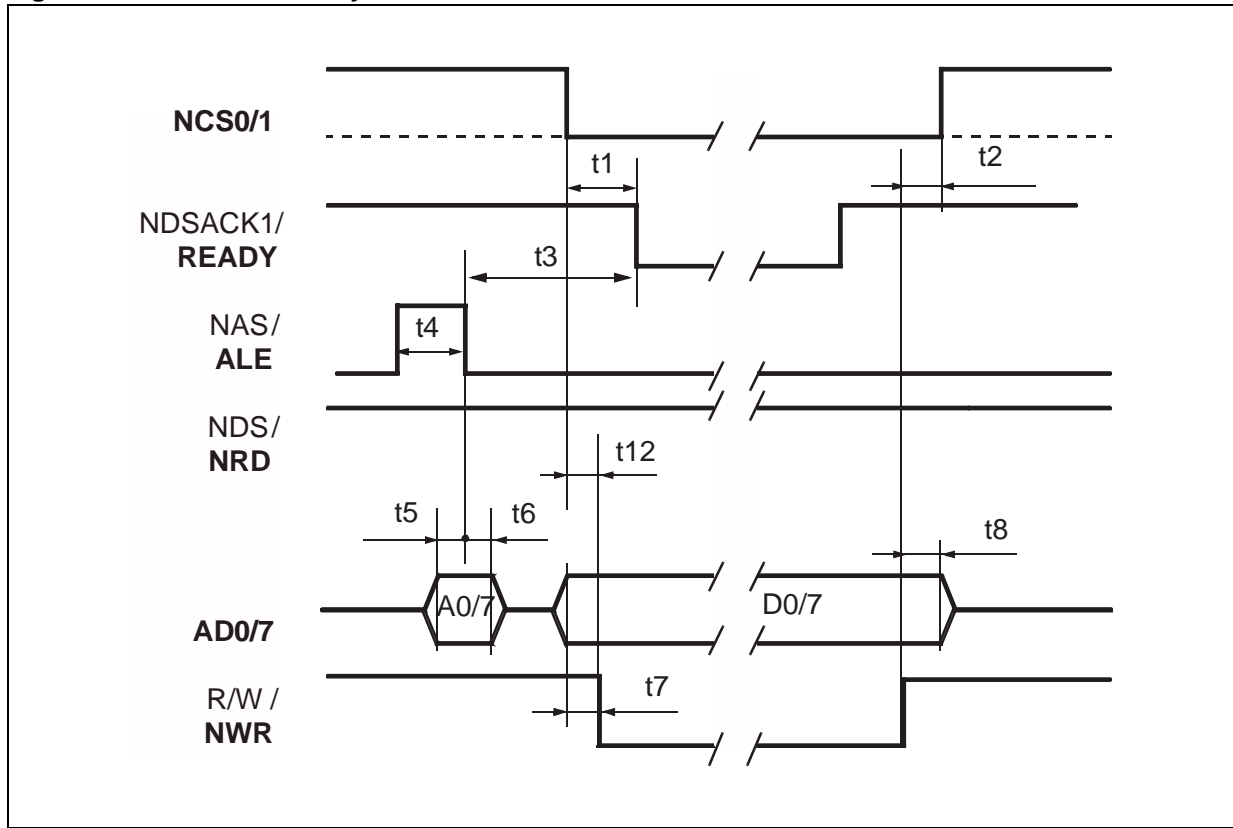
4.4 80C188; MOD0 = 1, MOD1 = 1, MOD2 = 0

Figure 4-7: 80C188 read cycle



tx	Parameter	T min	T max	Unit
t1	Delay ready /Chip Select (if $t_3 > t_1$), (30 pF) Delay when immediate access	0	98	ns ns
t2	Hold time Chip Select / NRD	10		ns
t3	Delay ready /ALE (if $t_1 > t_3$), (30 pF) Delay when immediate access	0	98	ns ns
t4	Width ALE	20		ns
t5	Set up time Address /ALE	5		ns
t6	Hold time Address /ALE	5		ns
t7	Data valid before ready	0		ns
t8	Data bus at high impedance after NRD (30 pF)	0		ns
t12	Delay NDS / NCS	0		ns

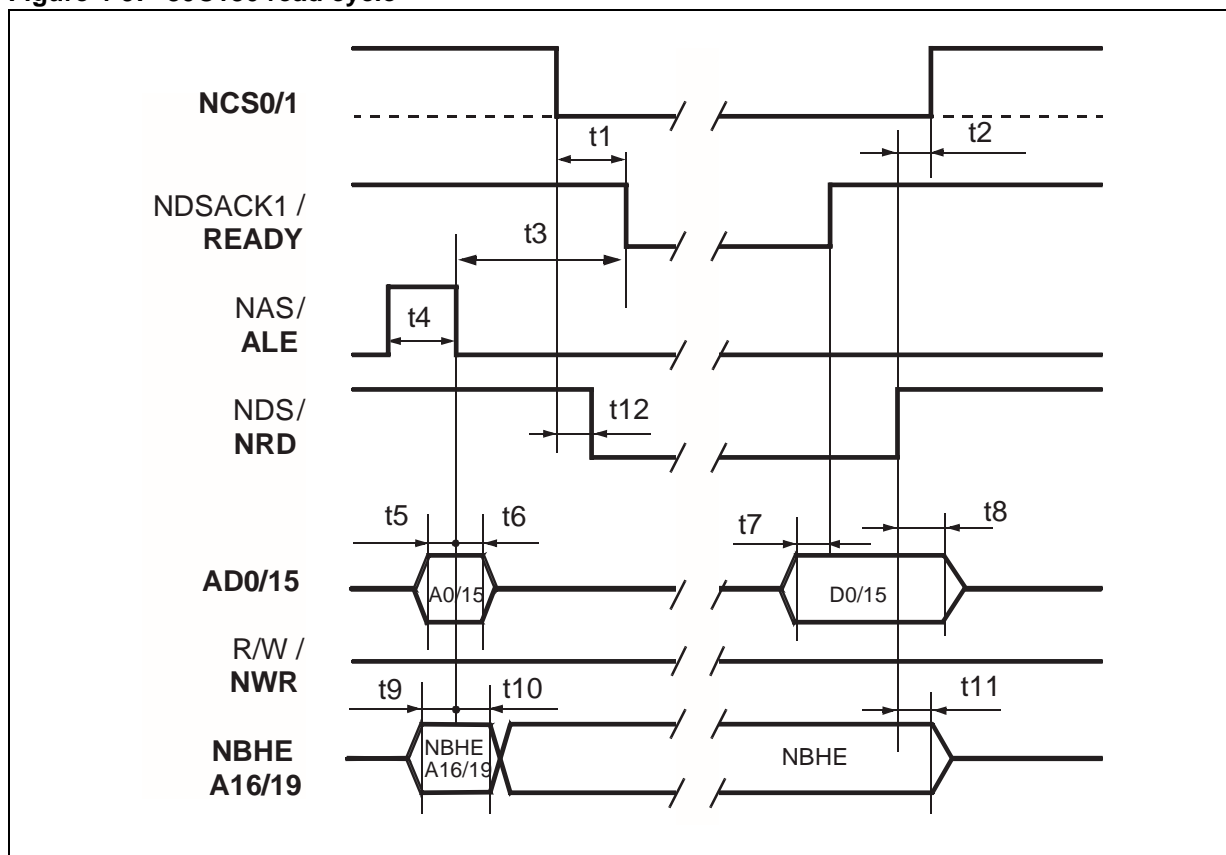
Figure 4-8: 80C188 write cycle



tx	Parameter	T min	T max	Unit
t1	Delay ready /Chip Select (if $t_3 > t_1$), (30 pF) Delay when immediate access	0	98	ns ns
t2	Hold time Chip Select / NWR	10		ns
t3	Delay ready /ALE (if $t_1 > t_3$), (30 pF) Delay when immediate access	0	98	ns ns
t4	Width ALE	20		ns
t5	Set up time Address /ALE	5		ns
t6	Hold time Address /ALE	5		ns
t7	Set up time Data /NWR	-15		ns
t8	Hold time Data /NWR	15		ns
t12	Delay NWR / NCS	0		ns

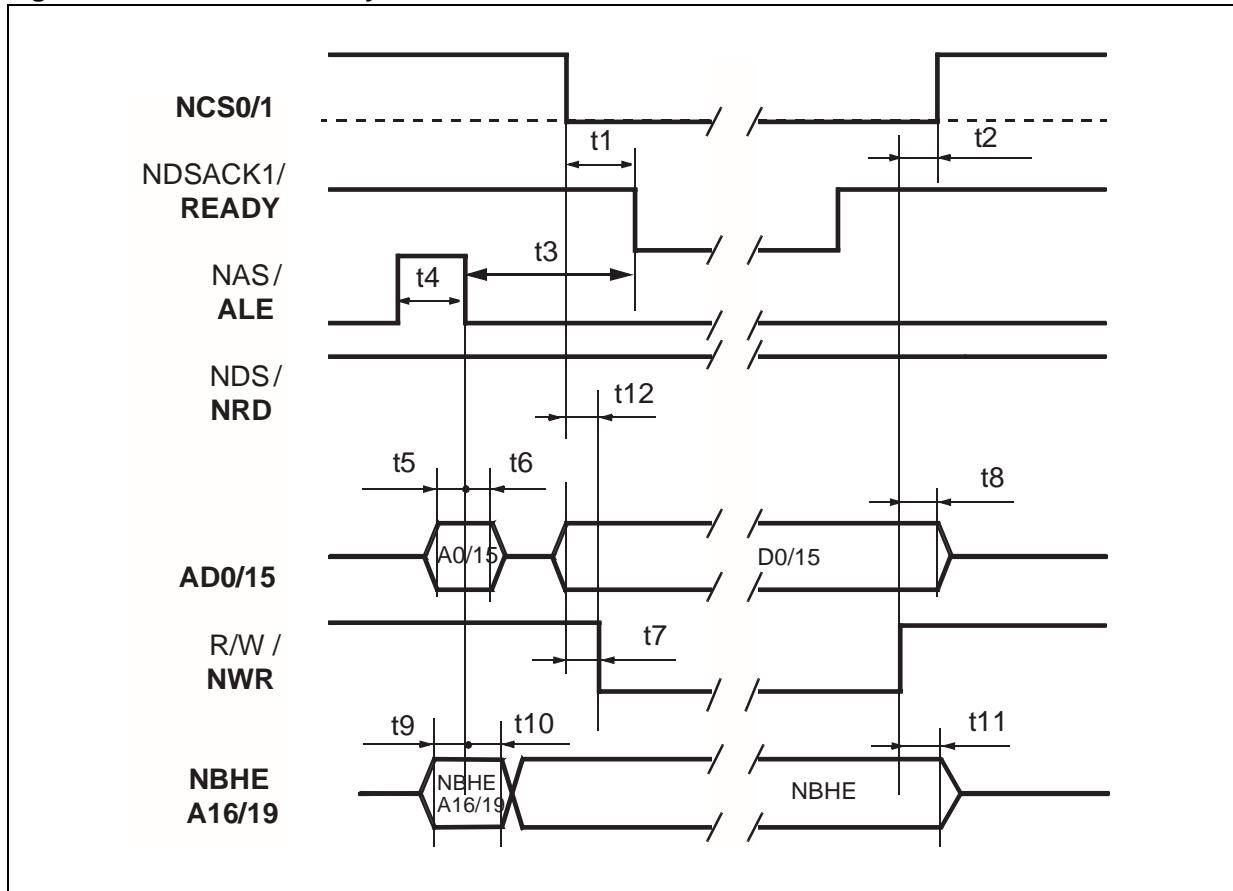
4.5 80C186; MOD0 = 1, MOD1 = 1, MOD2 = 1

Figure 4-9: 80C186 read cycle



tx	Parameter	T min	T max	Unit
t1	Delay ready /Chip Select (if $t3 > t1$), (30 pF) Delay when immediate access	0	98	ns ns
t2	Hold time Chip Select / NRD	10		ns
t3	Delay ready /ALE (if $t1 > t3$), (30 pF) Delay when immediate access	0	98	ns ns
t4	Width ALE	20		ns
t5	Set up time Address /ALE	5		ns
t6	Hold time Address /ALE	5		ns
t7	Data valid before ready	0	15	ns
t8	Data bus at high impedance after NRD (30 pF)	0		ns
t9	Set up time NBHE-AddressA16/19 /ALE	5		ns
t10	Hold time AddressA16/19 /NRD	10		ns
t11	Hold time NBHE- /NRD	10		ns
t12	Delay NRD / NCS	0		ns

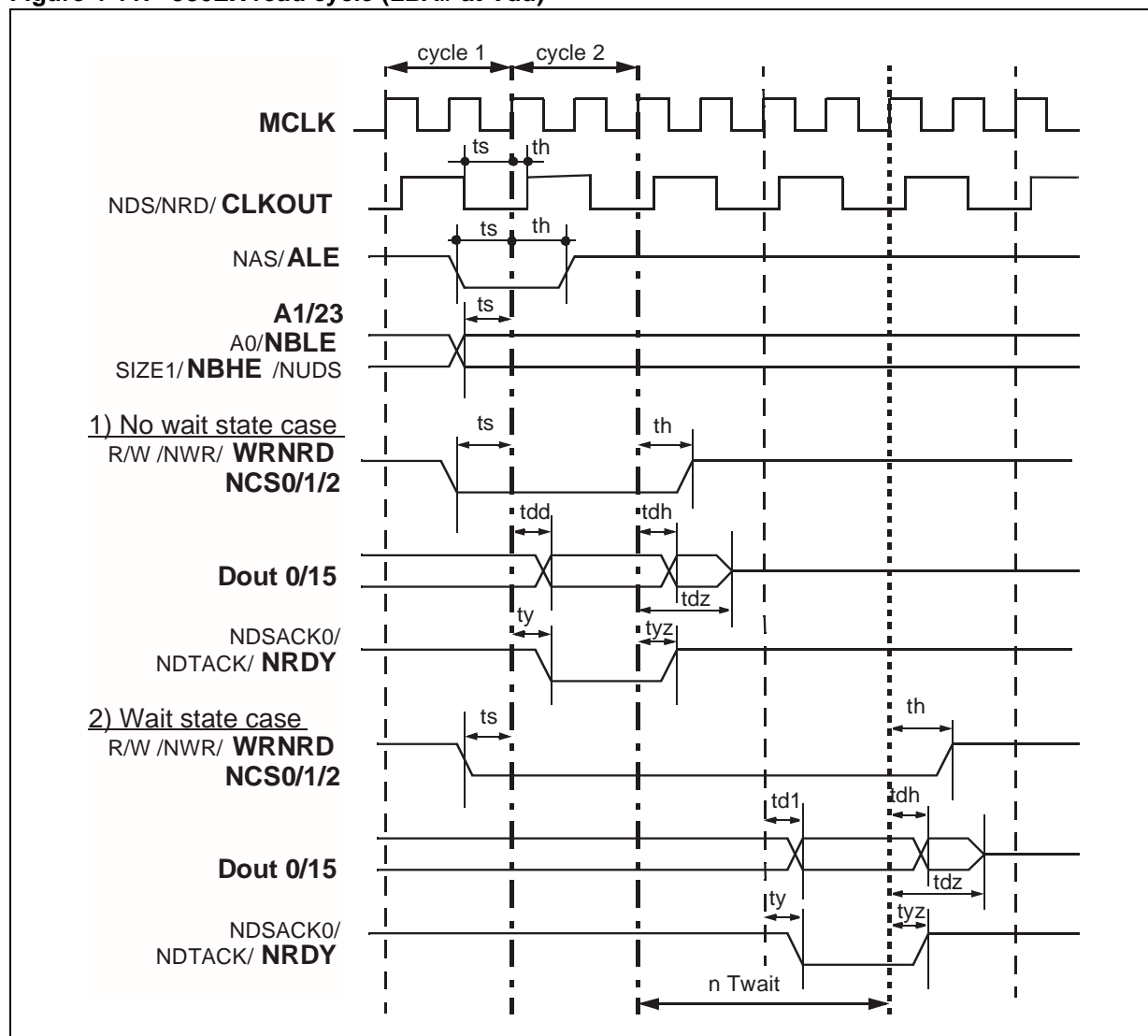
Figure 4-10: 80C186 write cycle



tx	Parameter	T min	T max	Unit
t1	Delay ready /Chip Select (if $t_3 > t_1$), (30 pF) Delay when immediate access	0	98	ns ns
t2	Hold time Chip Select / NWR	10		ns
t3	Delay ready /ALE (if $t_1 > t_3$), (30 pF) Delay when immediate access	0	98	ns ns
t4	Width ALE	20		ns
t5	Set up time Address /ALE	5		ns
t6	Hold time Address /ALE	5		ns
t7	Set up time Data /NWR	-15		ns
t8	Hold time Data /NWR	15		ns
t9	Set up time NBHE-AddressA16/19 /ALE	5		ns
t10	Hold time Address16/19/ALE	10		ns
t11	Hold time NBHE-/NWR	10		ns
t12	Delay NWR / NCS	0		ns

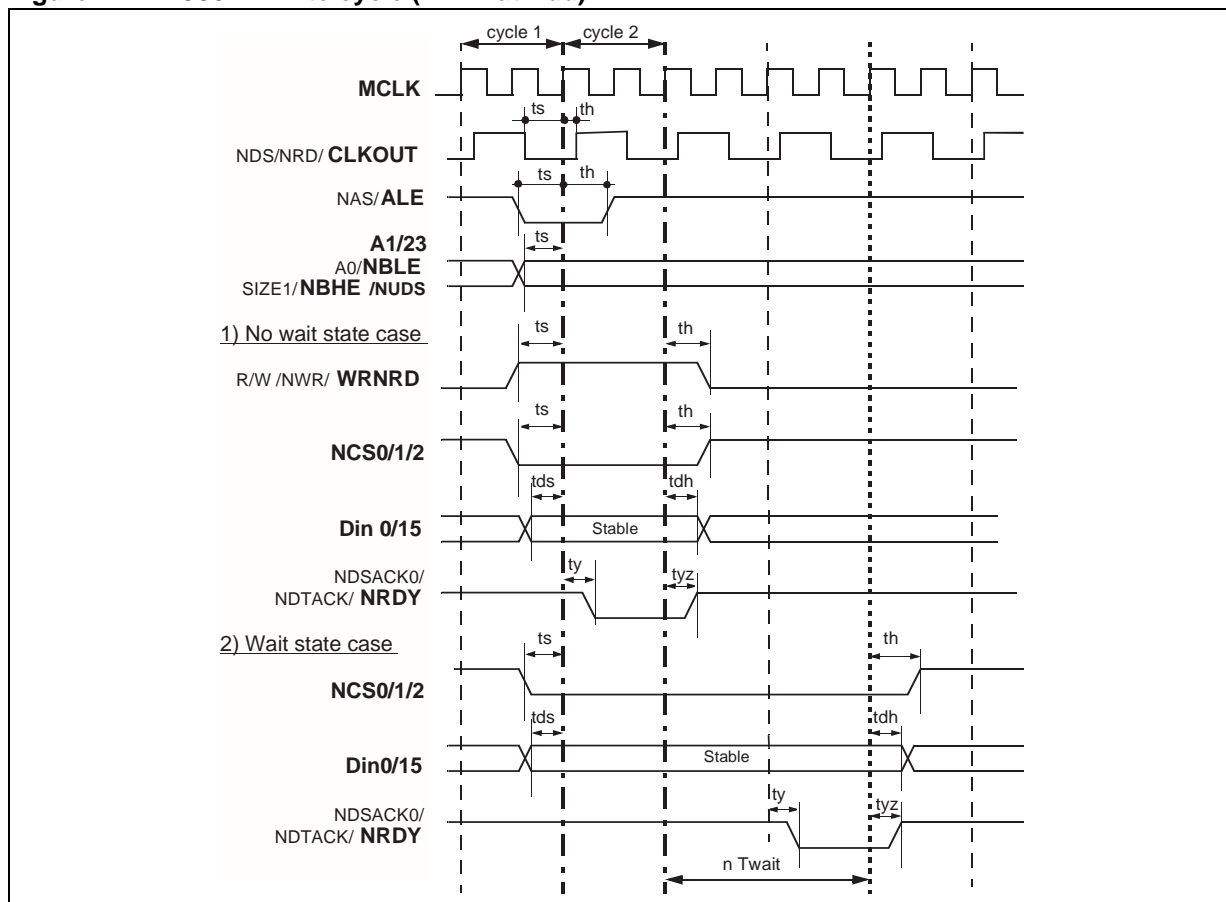
4.6 386EX: MOD0 = 0, MOD1 = 1, MOD2 = 0

Figure 4-11: 386EX read cycle (LBA# at Vdd)



tx	Parameter	min	max	Unit
ts	Set up time/MCLK rising edge for CLKOUT, ALE, Addresses, WRNRD, NCS0/2	6		ns
th	Hold time / MCLK rising edge for CLKOUT, WRNRD, NCS0/1/2	2		ns
tdd	Data out delay time / MCLK rising edge (50 pF)	-	20	ns
tdh	Data out Hold time / MCLK rising edge (50 pF)	4		ns
tdz	Data floating delay / MCLK rising edge	4	15	ns
ty	Delay NRDY low / MCLK rising edge (50 pF)	4	20	ns
tyz	NRDY Delay floating / MCLK rising edge (50 pF)	4	10	ns

Figure 4-12: 386EX write cycle (LBA# at V_{dd})



tx	Parameter	min	max	Unit
ts	Set up time/MCLK rising edge for CLKOUT, ALE, Addresses, WRNRD, NCS0/2	6		ns
th	Hold time / MCLK rising edge for CLKOUT, WRNRD, NCS0/1/2	2		ns
tdd	Data out delay time / MCLK rising edge (50 pF)	-	20	ns
tdh	Data out Hold time / MCLK rising edge (50 pF)	4		ns
tdz	Data floating delay / MCLK rising edge	4	15	ns
ty	Delay NRDY low / MCLK rising edge (50 pF)	4	20	ns
tyz	NRDY Delay floating / MCLK rising edge (50 pF)	4	10	ns

LBA#, Ready# signals delivered by EX386 and NRDY delivered by the MHDLC

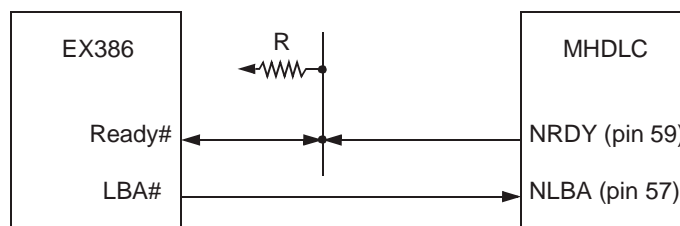
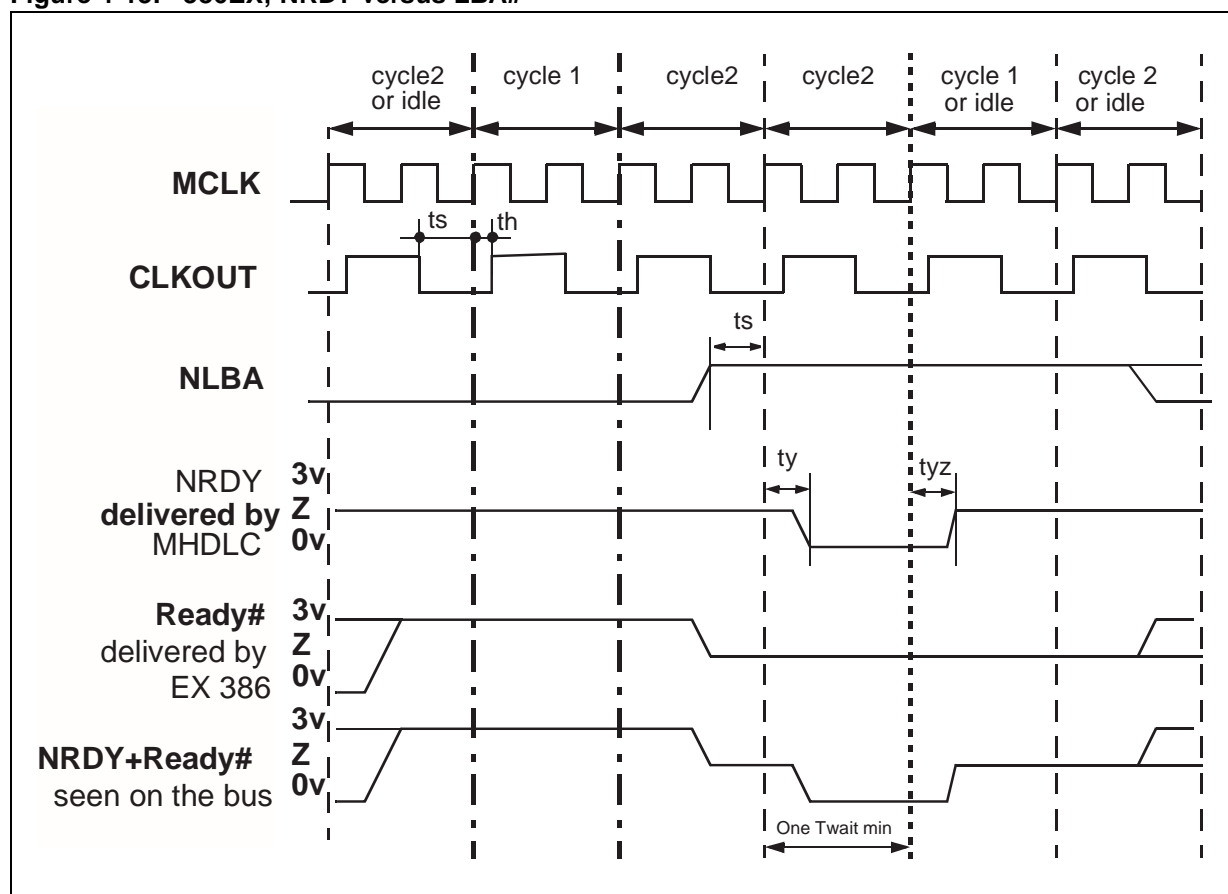


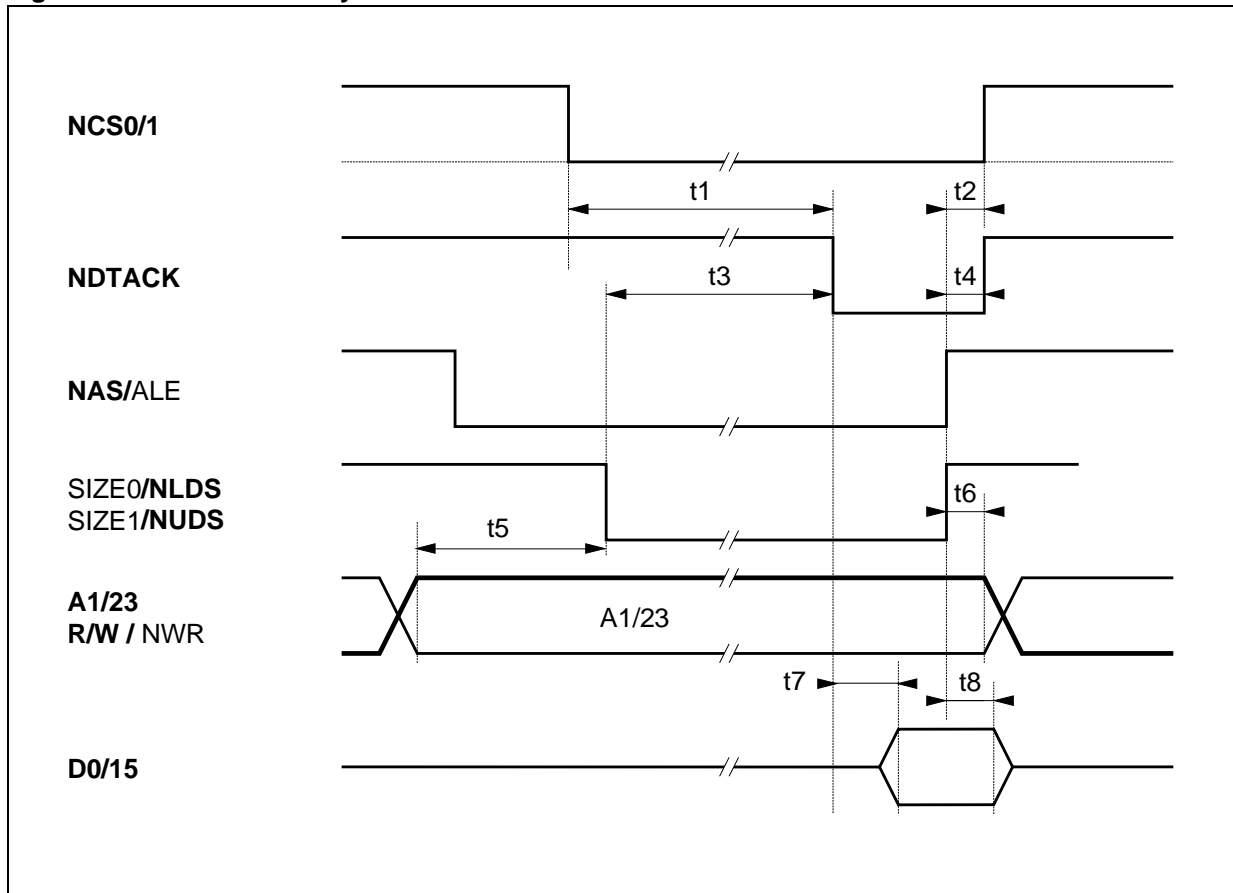
Figure 4-13: 386EX; NRDY versus LBA#



tx	Parameter	min	max	Unit
ts	Set up time/MCLK rising edge for CLKOUT, NLBA	6		ns
th	Hold time / MCLK rising edge for CLKOUT	2		ns
ty	Delay NRDY low / MCLK rising edge (50 pF)	4	20	ns
tyz	NRDY Delay floating / MCLK rising edge (50 pF)	4	10	ns

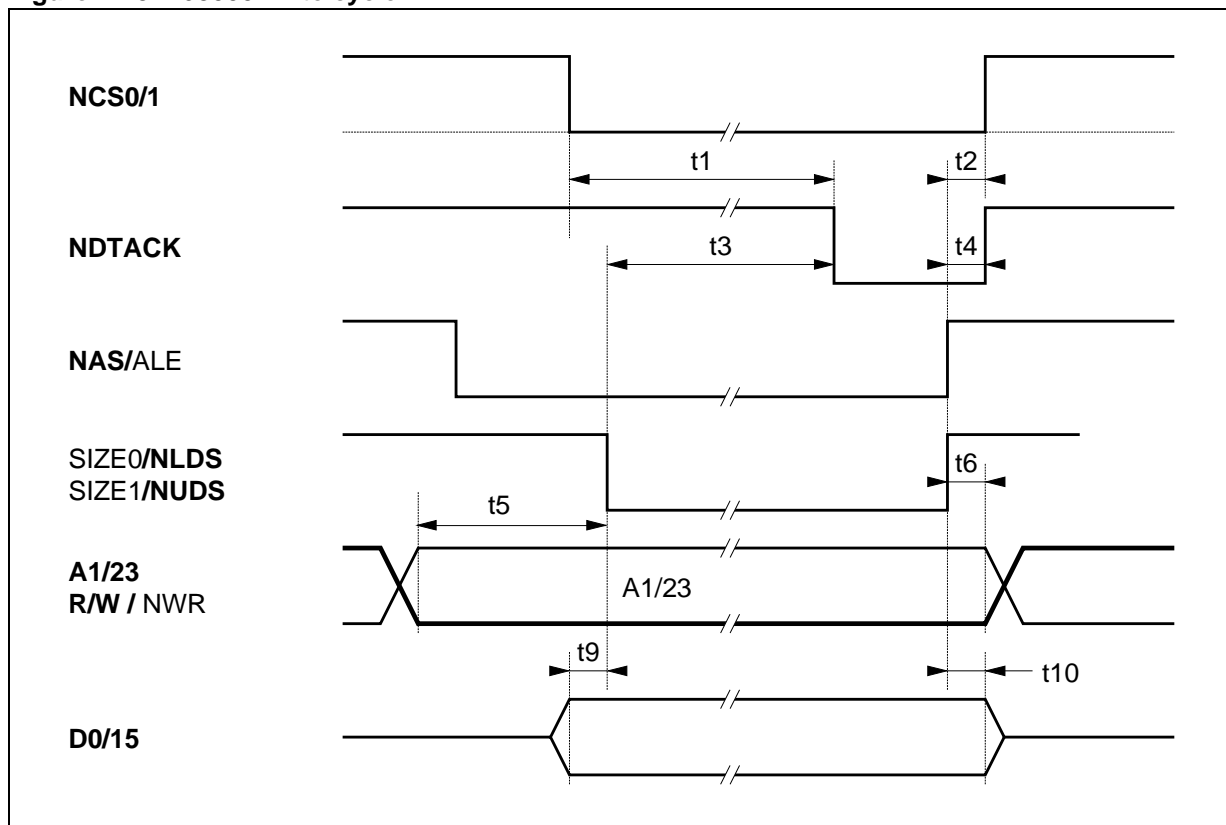
4.7 68000; MOD0 = 0, MOD1 = 0, MOD2 = 1

Figure 4-14: 68000 read cycle



tx	Parameter	T min	T max	Unit
t1	Delay NDTACK /NCS0/1 (if $t_3 > t_1$), (30 pF) Delay when immediate access	0	98	ns ns
t2	Hold time Chip Select / NLDS-NUDS	0		ns
t3	Delay NDTACK /NLDS-NUDS falling edge (if $t_1 > t_3$), (30 pF) Delay when immediate access	0	98	ns
t4	Delay NDTACK /NLDS-NUDS rising edge	0	20	ns
t5	Set up time Address and R/W / last NLDS-NUDS or NCS	0		ns
t6	Hold time Address and R/W / NLDS-NUDS	0		ns
t7	Data valid before NDTACK falling edge (30 pF)	0	15	ns
t8	Data bus at high impedance after NLDS-NUDS rising edge (30 pF)	0	15	ns

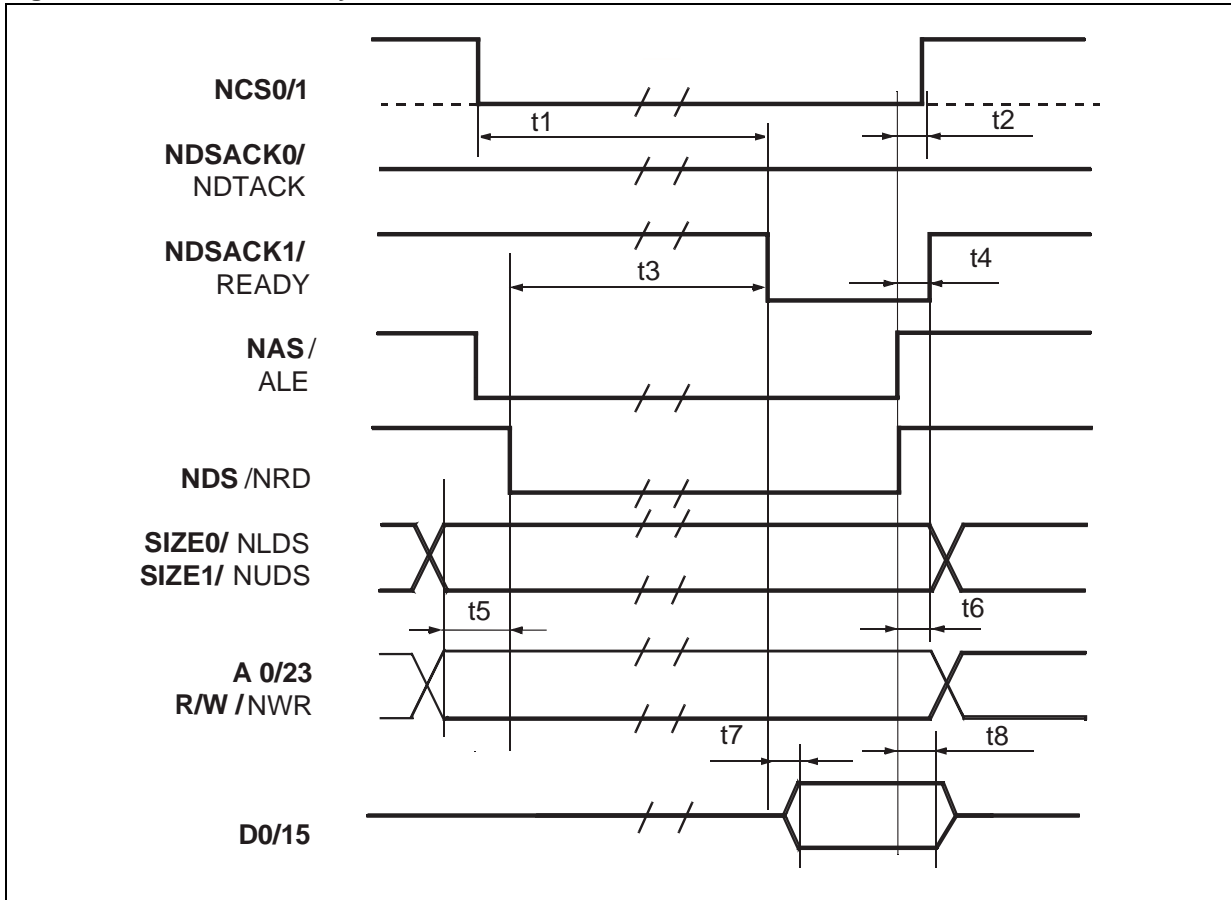
Figure 4-15: 68000 write cycle



tx	Parameter	T min	T max	Unit
t1	Delay NDTACK /NCS0/1 (if $t_3 > t_1$), (30 pF) Delay when immediate access	0	98	ns ns
t2	Hold time Chip Select / NLDS-NUDS	0		ns
t3	Delay NDTACK /NLDS-NUDS falling edge (if $t_1 > t_3$), (30 pF) Delay when immediate access	0	98	ns ns
t4	Delay NDTACK /NLDS-NUDS rising edge		20	ns
t5	Set up time Address and R/W/last NLDS-NUDS or NCS	0		ns
t6	Hold time Address /NLDS-NUDS	0		ns
t9	Set up time Data /NLDS-NUDS	0		ns
t10	Hold time Data /NLDS-NUDS	7		ns

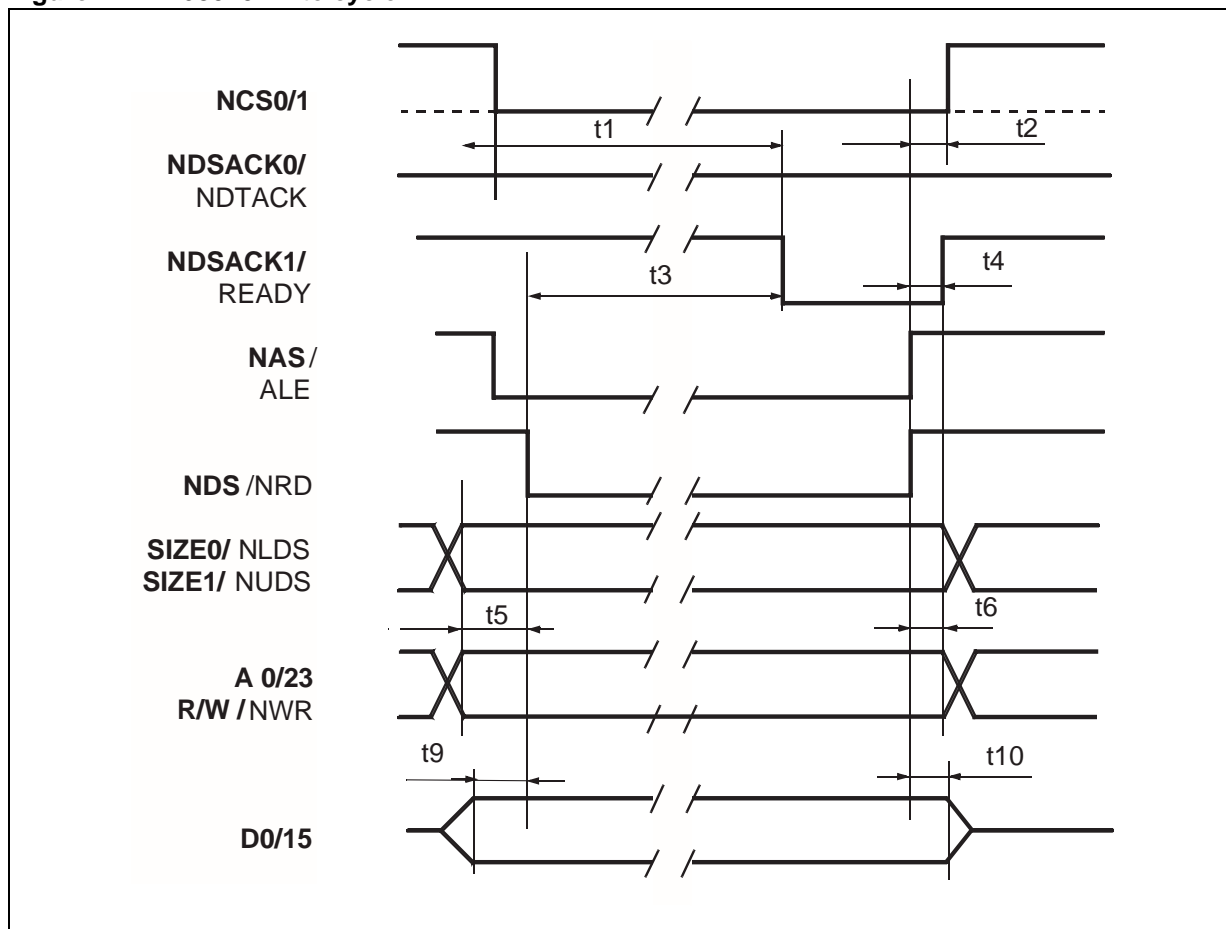
4.8 68020; MOD0 = 0, MOD1 = 0, MOD2 = 2

Figure 4-16: 68020 read cycle



tx	Parameter	T min	T max	Unit
t1	Delay NDSACK /NCS0/1 (if $t_3 > t_1$), (30 pF) Delay when immediate access	0	98	ns ns
t2	Hold time Chip Select / NDS rising edge	0		ns
t3	Delay NDSACK1 /NDS falling edge (if $t_1 > t_3$), (30 pF) Delay when immediate access	0	98	ns ns
t4	Delay NDSACK1 /NDS rising edge		20	ns
t5	Set up time Address and R/W/last NDS or NCS	0		ns
t6	Hold time Address /NDS	0		ns
t7	Data valid before NDSACK1 falling edge (30 pF)	0	15	ns
t8	Data High Impedance after NDS (30 pF)	0	15	ns

Figure 4-17: 68020 write cycle

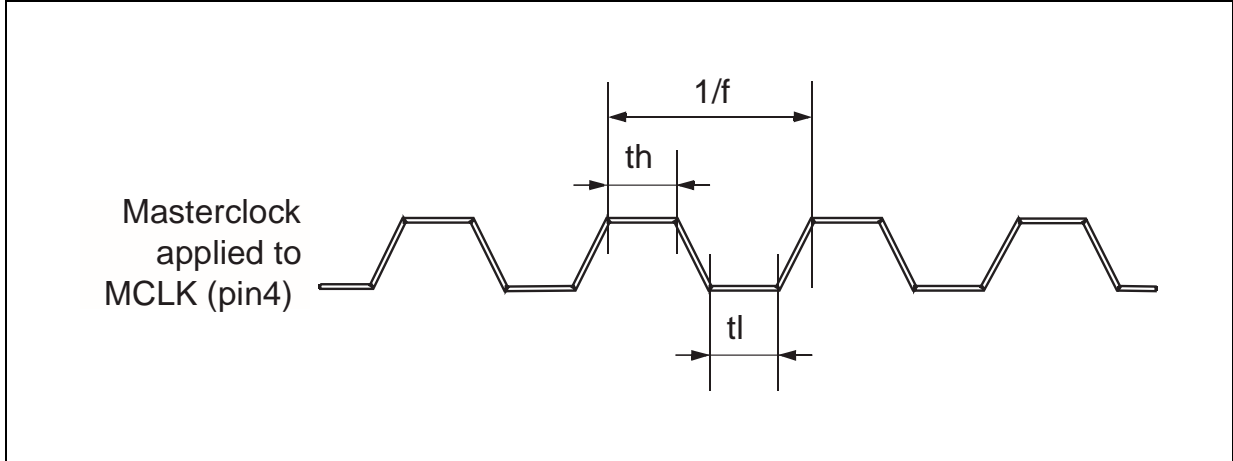


tx	Parameter	T min	T max	Unit
t1	Delay NDTACK /NCS0/1 (if $t_3 > t_1$), (30 pF) Delay when immediate access	0	98	ns ns
t2	Hold time Chip Select / NDS rising edge	0		ns
t3	Delay NDSACK1 /NDS falling edge (if $t_1 > t_3$), (30 pF) Delay when immediate access	0	98	ns ns
t4	Delay NDSACK1 /NDS rising edge		20	ns
t5	Set up time Address and R/W/last NDS or NCS	0		ns
t6	Hold time Address /NDS	0		ns
t9	Set up time Data /NDS	0		ns
t10	Hold time Data /NDS	7		ns

5 MASTERCLOCK and TOKEN RING TIMING

5.1 Masterclock timing

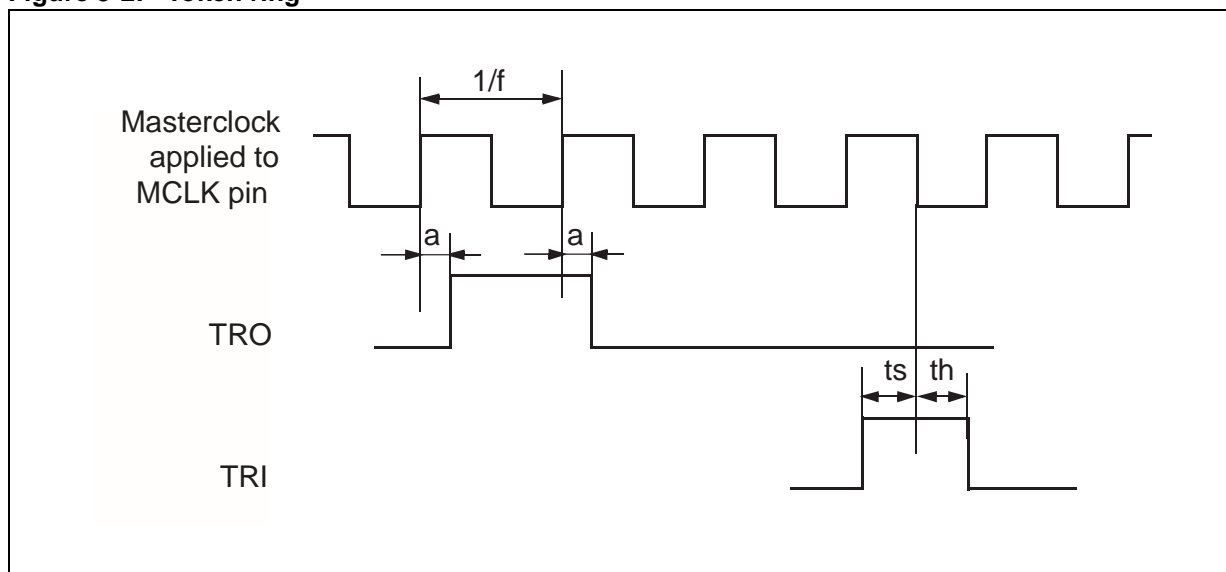
Figure 5-1: Masterclock



tx	Parameter	T min	T typ	T max	Unit
f	Masterclock frequency	30	32.768	33.3	MHz
th	Masterclock high	12			ns
tl	Masterclock low	12			ns
tx	Parameter	T min	T typ	T max	Unit
f	Masterclock frequency	60	65.536	66.6	MHz
th	Masterclock high	6			ns
tl	Masterclock low	6			ns
tx	Parameter	T min	T typ	T max	Unit
f	Masterclock frequency	45	49.152	50+100p pm	MHz
th	Masterclock high	8			ns
tl	Masterclock low	8			ns

5.2 Token ring timing

Figure 5-2: Token ring



tx	Parameter	T min	T max	Unit
f	f: Masterclock frequency	32	66	MHz
a	Delay between Masterclock rising edge and edges of TRO pulse delivered by the MHDLC (30 pF)		12	ns
ts/th	This input is sampled in asynchronous mode	5		ns

Information furnished is believed to be accurate and reliable. However, STMicroelectronics assumes no responsibility for the consequences of use of such information nor for any infringement of patents or other rights of third parties which may result from its use. No license is granted by implication or otherwise under any patent or patent rights of STMicroelectronics. Specifications mentioned in this publication are subject to change without notice. This publication supersedes and replaces all information previously supplied. STMicroelectronics products are not authorized for use as critical components in life support devices or systems without express written approval of STMicroelectronics.

The ST logo is a registered trademark of STMicroelectronics
© 1999 STMicroelectronics - All Rights Reserved

STMicroelectronics GROUP OF COMPANIES
Australia - Brazil - China - Finland - France - Germany - Hong Kong - India - Italy - Japan - Malaysia - Malta - Morocco - Singapore - Spain
- Sweden - Switzerland - United Kingdom - U.S.A.
<http://www.st.com>