

Single Supply PECL-TTL 1:9 Clock Distribution Chip

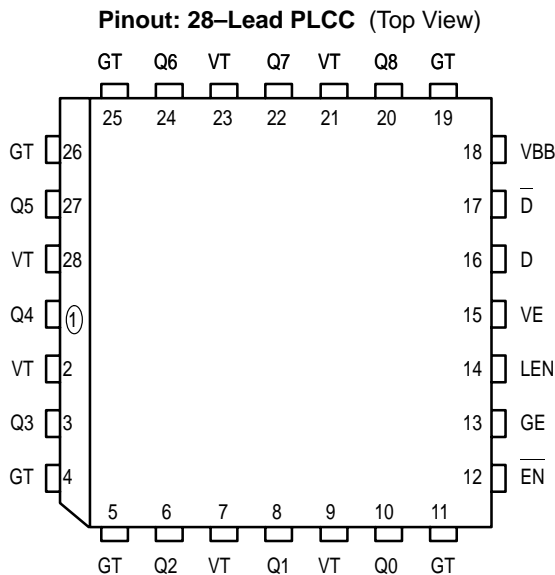
The MC10H/100H641 is a single supply, low skew translating 1:9 clock driver. Devices in the Motorola H600 translator series utilize the 28-lead PLCC for optimal power pinning, signal flow through and electrical performance.

The device features a 24mA TTL output stage, with AC performance specified into a 50pF load capacitance. A latch is provided on-chip. When LEN is LOW (or left open, in which case it is pulled LOW by the internal pulldown) the latch is transparent. A HIGH on the enable pin (EN) forces all outputs LOW. Both the LEN and EN pins are positive ECL inputs.

The V_{BB} output is provided in case the user wants to drive the device with a single-ended input. For single-ended use the V_{BB} should be connected to the D input and bypassed with a 0.01 μ F capacitor.

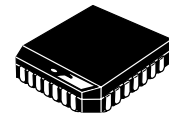
The 10H version of the H641 is compatible with positive MECL 10H™ logic levels. The 100H version is compatible with positive 100K levels.

- PECL-TTL Version of Popular ECLinPS E111
- Low Skew
- Guaranteed Skew Spec
- Latched Input
- Differential ECL Internal Design
- V_{BB} Output for Single-Ended Use
- Single +5V Supply
- Logic Enable
- Extra Power and Ground Supplies
- Separate ECL and TTL Supply Pins



MC10H641
MC100H641

SINGLE SUPPLY
PECL-TTL 1:9 CLOCK
DISTRIBUTION CHIP



FN SUFFIX
PLASTIC PACKAGE
CASE 776-02

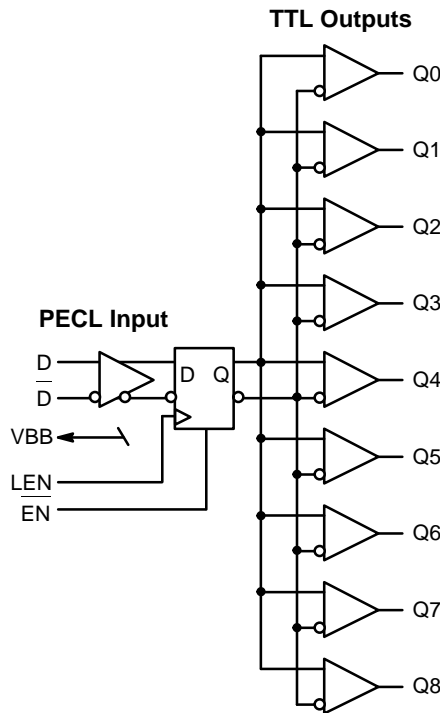
PIN NAMES

Pins	Function
GT, VT	TTL GND, TTL VCC
GE, VE	ECL GND, ECL VCC
D, D	Signal Input (Positive ECL)
V_{BB}	V_{BB} Reference Output (Positive ECL)
Q0-Q8	Signal Outputs (TTL)
EN	Enable Input (Positive ECL)
LEN	Latch Enable Input (Positive ECL)

MECL 10H is a trademark of Motorola, Inc.



LOGIC DIAGRAM



DC CHARACTERISTICS (VT = VE = 5.0V ±5%)

Symbol	Characteristic	TA = 0°C			TA = + 25°C			TA = + 85°C			Unit	Condition
		Min	Typ	Max	Min	Typ	Max	Min	Typ	Max		
IEE	Power Supply Current PECL		24	30		24	30		24	30	mA	
ICCH	TTL		24	30		24	30		24	30	mA	
ICCL			27	35		27	35		27	35	mA	

TTL DC CHARACTERISTICS (VT = VE = 5.0V ±5%)

Symbol	Characteristic	0°C		25°C		85°C		Unit	Condition
		Min	Max	Min	Max	Min	Max		
VOH	Output HIGH Voltage	2.5		2.5		2.5		V	I _{OH} = -15mA
VOL	Output LOW Voltage		0.5		0.5		0.5	V	I _{OL} = 24mA
I _{OS}	Output Short Circuit Current	-100	-225	-100	-225	-100	-225	mA	V _{OUT} = 0V

10H PECL DC CHARACTERISTICS

Symbol	Characteristic	0°C		25°C		85°C		Unit	Condition
		Min	Max	Min	Max	Min	Max		
I _{IH}	Input HIGH Current		225		175		175	μA	
I _{IL}	Input LOW Current	0.5		0.5		0.5		μA	
V _{IH}	Input HIGH Voltage	3.83	4.16	3.87	4.19	3.94	4.28	V	VE = 5.0V ¹
V _{IL}	Input LOW Voltage	3.05	3.52	3.05	3.52	3.05	3.55	V	VE = 5.0V ¹
V _{BB}	Output Reference Voltage	3.62	3.73	3.65	3.75	3.69	3.81	V	VE = 5.0V ¹

1. PECL V_{IH}, V_{IL}, and V_{BB} are referenced to VE and will vary 1:1 with the power supply. The levels shown are for VE = 5.0V.

100H PECL DC CHARACTERISTICS

Symbol	Characteristic	0°C		25°C		85°C		Unit	Condition
		Min	Max	Min	Max	Min	Max		
I _{IH}	Input HIGH Current		225		175		175	μA	
I _{IL}	Input LOW Current	0.5		0.5		0.5		μA	
V _{IH}	Input HIGH Voltage	3.835	4.120	3.835	4.120	3.835	4.120	V	VE = 5.0V ¹
V _{IL}	Input LOW Voltage	3.190	3.525	3.190	3.525	3.190	3.525	V	VE = 5.0V ¹
V _{BB}	Output Reference Voltage	3.62	3.74	3.62	3.74	3.62	3.74	V	VE = 5.0V ¹

1. PECL V_{IH}, V_{IL}, and V_{BB} are referenced to V_E and will vary 1:1 with the power supply. The levels shown are for V_E = 5.0V.

AC CHARACTERISTICS (V_T = V_E = 5.0V ±5%)

Symbol	Characteristic	T _J = 0°C			T _J = +25°C			T _J = +85°C			Unit	Condition
		Min	Typ	Max	Min	Typ	Max	Min	Typ	Max		
t _{PLH} t _{PHL}	Propagation Delay D to Q	5.00 5.36	5.50 5.86	6.00 6.36	4.86 5.27	5.36 5.77	5.86 6.27	5.08 5.43	5.58 5.93	6.08 6.43	ns	CL = 50 pF ¹
t _{skew}	Device Skew Part-to-Part Single V _{CC} Output-to-Output			1000 750 350			1000 750 350			1000 750 350	ps	CL = 50pF ² CL = 50 pF ³ CL = 50 pF ⁴
t _{PLH} t _{PHL}	Propagation Delay LEN to Q	4.9		6.9	4.9		6.9	5.0		7.0	ns	CL = 50 pF
t _{PLH} t _{PHL}	Propagation Delay EN to Q	5.0		7.0	4.9		6.9	5.0		7.0	ns	CL = 50 pF
t _r t _f	Output Rise/Fall 0.8V to 2.0V			1.7 1.6			1.7 1.6			1.7 1.6	ns	CL = 50 pF
f _{MAX}	Max Input Frequency	65			65			65			MHz	CL = 50 pF ⁵
t _{REC}	Recovery Time EN	1.25			1.25			1.25			ns	
t _S	Setup Time	0.75	0.50		0.75	0.50		0.75	0.50		ns	
t _H	Hold Time	0.75	0.50		0.75	0.50		0.75	0.50		ns	

1. Propagation delay measurement guaranteed for junction temperatures. Measurements performed at 50MHz input frequency.
2. Skew window guaranteed for a single temperature across a V_{CC} = V_T = V_E of 4.75V to 5.25V (See Application Note in this datasheet).
3. Skew window guaranteed for a single temperature and single V_{CC} = V_T = V_E
4. Output-to-output skew is specified for identical transitions through the device.
5. Frequency at which output levels will meet a 0.8V to 2.0V minimum swing.

DETERMINING SKEW FOR A SPECIFIC APPLICATION

The H641 has been designed to meet the needs of very low skew clock distribution applications. In order to optimize the device for this application special considerations are necessary in the determining of the part-to-part skew specification limits. Older standard logic devices are specified with relatively slack limits so that the device can be guaranteed over a wide range of potential environmental conditions. This range of conditions represented all of the potential applications in which the device could be used. The result was a specification limit that in the vast majority of cases was extremely conservative and thus did not allow for an optimum system design. For non-critical skew designs this practice is acceptable, however as the clock speeds of

systems increase overly conservative specification limits can kill a design.

The following will discuss how users can use the information provided in this data sheet to tailor a part-to-part skew specification limit to their application. The skew determination process may appear somewhat tedious and time consuming, however if the utmost in performance is required this procedure is necessary. For applications which do not require this level of skew performance a generic part-to-part skew limit of 2.5ns can be used. This limit is good for the entire ambient temperature range, the guaranteed V_{CC} (V_T, V_E) range and the guaranteed operating frequency range.

Temperature Dependence

A unique characteristic of the H641 data sheet is that the AC parameters are specified for a junction temperature rather than the usual ambient temperature. Because very few designs will actually utilize the entire commercial temperature range of a device a tighter propagation delay window can be established given the smaller temperature range. Because the junction temperature and not the ambient temperature is what affects the performance of the device the parameter limits are specified for junction temperature. In addition the relationship between the ambient and junction temperature will vary depending on the frequency, load and board environment of the application. Since these factors are all under the control of the user it is impossible to provide specification limits for every possible application. Therefore a baseline specification was established for specific junction temperatures and the information that follows will allow these to be tailored to specific applications.

Since the junction temperature of a device is difficult to measure directly, the first requirement is to be able to "translate" from ambient to junction temperatures. The standard method of doing this is to use the power dissipation of the device and the thermal resistance of the package. For a TTL output device the power dissipation will be a function of the load capacitance and the frequency of the output. The total power dissipation of a device can be described by the following equation:

$$P_D \text{ (watts)} = I_{CC} \text{ (no load)} * V_{CC} + V_S * V_{CC} * f * C_L * \# \text{ Outputs}$$

where:

- V_S = Output Voltage Swing = 3V
- f = Output Frequency
- C_L = Load Capacitance
- I_{CC} = I_{EE} + I_{CCH}

Figure 1 plots the I_{CC} versus Frequency of the H641 with no load capacitance on the output. Using this graph and the information specific to the application a user can determine the power dissipation of the H641.

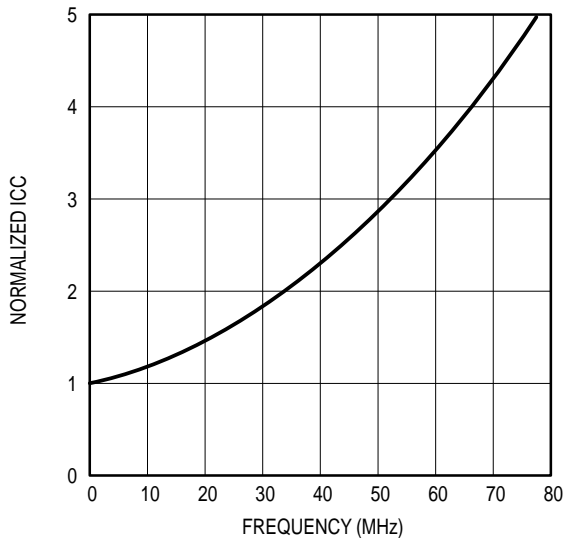


Figure 1. I_{CC} versus f (No Load)

Figure 2 illustrates the thermal resistance (in °C/W) for the 28-lead PLCC under various air flow conditions. By reading the thermal resistance from the graph and multiplying by the power dissipation calculated above the junction temperature increase above ambient of the device can be calculated.

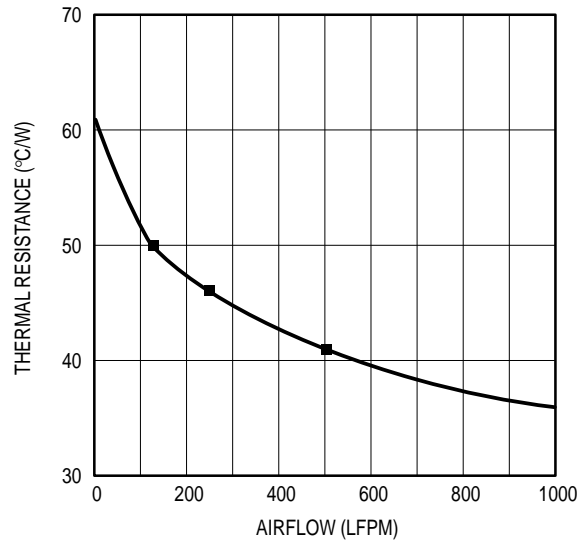


Figure 2. θ_{JA} versus Air Flow

Finally taking this value for junction temperature and applying it to Figure 3 allows the user to determine the propagation delay for the device in question. A more common use would be to establish an ambient temperature range for the H641's in the system and utilize the above methodology to determine the potential increased skew of the distribution network. Note that for this information if the T_{PD} versus Temperature curve were linear the calculations would not be required. If the curve were linear over all temperatures a simple temperature coefficient could be provided.

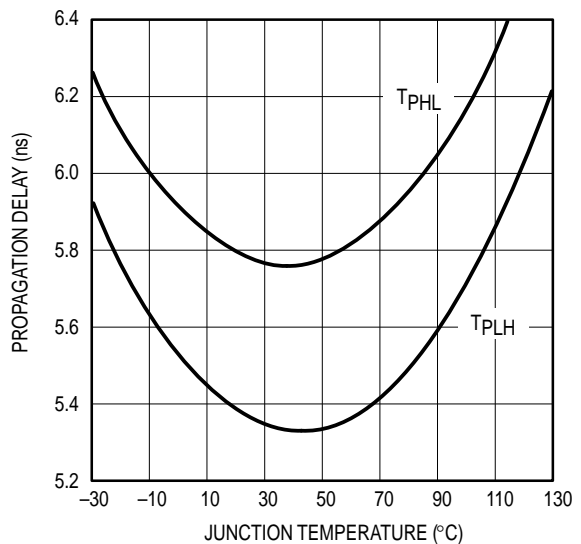


Figure 3. T_{PD} versus Junction Temperature

VCC Dependence

TTL and CMOS devices show a significant propagation delay dependence with VCC. Therefore the VCC variation in a system will have a direct impact on the total skew of the clock distribution network. When calculating the skew between two devices on a single board it is very likely an assumption of identical VCC's can be made. In this case the number provided in the data sheet for part-to-part skew would be overly conservative. By using Figure 4 the skew given in the data sheet can be reduced to represent a smaller or zero variation in VCC. The delay variation due to the specified VCC variation is ≈270ps. Therefore, the 1ns window on the data sheet can be reduced by 270ps if the devices in question will always experience the same VCC. The distribution of the propagation delay ranges given in the data sheet is actually a composite of three distributions whose means are separated by the fixed difference in propagation delay at the typical, minimum and maximum VCC.

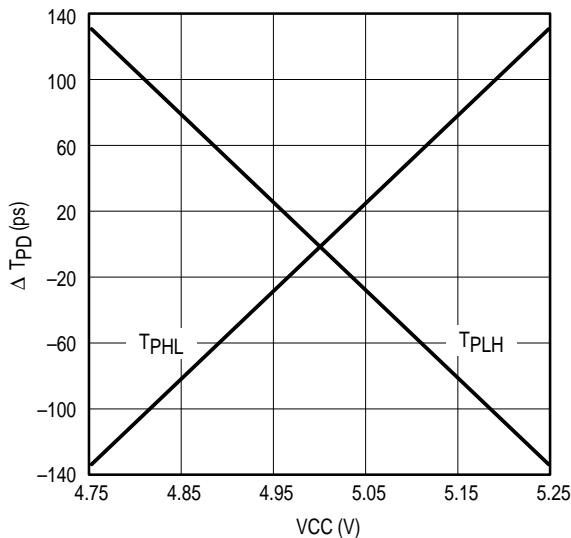


Figure 4. ΔTPD versus VCC

Capacitive Load Dependence

As with VCC the propagation delay of a TTL output is intimately tied to variation in the load capacitance. The skew specifications given in the data sheet, of course, assume equal loading on all of the outputs. However situations could arise where this is an impossibility and it may be necessary to estimate the skew added by asymmetric loading. In addition the propagation delay numbers are provided only for 50pF loads, thus necessitating a method of determining the propagation delay for alternative loads.

Figure 5 shows the relationship between the two propagation delays with respect to the capacitive load on the output. Utilizing this graph and the 50pF limits the specification of the H641 can be mapped into a spec for either a different value load or asymmetric loads.

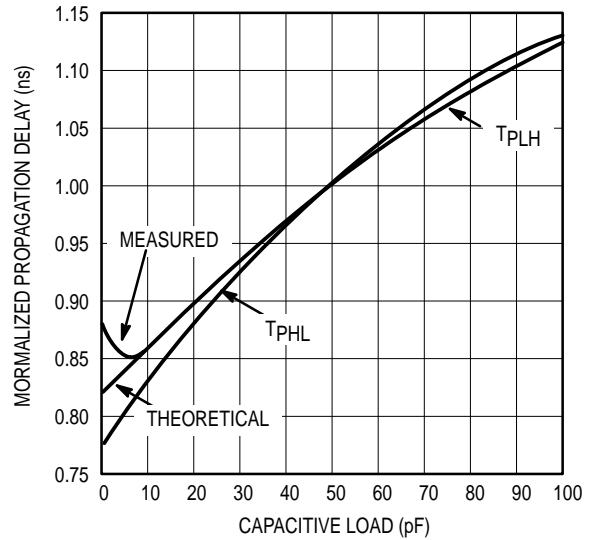


Figure 5. TPD versus Load

Rise/Fall Skew Determination

The rise-to-fall skew is defined as simply the difference between the TPLH and the TPHL propagation delays. This skew for the H641 is dependent on the VCC applied to the device. Notice from Figure 4 the opposite relationship of TPD versus VCC between TPLH and TPHL. Because of this the rise-to-fall skew will vary depending on VCC. Since in all likelihood it will be impossible to establish the exact value for VCC, the expected variation range for VCC should be used. If this variation will be the ±5% shown in the data sheet the rise-to-fall skew could be established by simply subtracting the fastest TPLH from the slowest TPHL; this exercise yields 1.41ns. If a tighter VCC range can be realized Figure 4 can be used to establish the rise-to-fall skew.

Specification Limit Determination Example

The situation pictured in Figure 6 will be analyzed as an example. The central clock is distributed to two different cards; on one card a single H641 is used to distribute the clock while on the second card two H641's are required to supply the needed clocks. The data sheet as well as the graphical information of this section will be used to calculate the skew between H641a and H641b as well as the skew between all three of the devices. Only the TPLH will be analyzed, the TPHL numbers can be found using the same technique. The following assumptions will be used:

- All outputs will be loaded with 50pF
- All outputs will toggle at 30MHz
- The VCC variation between the two boards is ±3%
- The temperature variation between the three devices is ±15°C around an ambient of 45°C.
- 500LFPM air flow

The first task is to calculate the junction temperature for the devices under these conditions. Using the power equation yields:

$$\begin{aligned}
 PD &= ICC \text{ (no load)} * VCC + \\
 &\quad VCC * VS * f * CL * \# \text{ outputs} \\
 &= 1.8 * 48mA * 5V + 5V * 3V * 30MHz * \\
 &\quad 50pF * 9 \\
 &= 432mW + 203mW = 635mW
 \end{aligned}$$

MC10H641 MC100H641

Using the thermal resistance graph of Figure 2 yields a thermal resistance of 41°C/W which yields a junction temperature of 71°C with a range of 56°C to 86°C. Using the T_{PD} versus Temperature curve of Figure 3 yields a propagation delay of 5.42ns and a variation of 0.19ns.

Since the design will not experience the full $\pm 5\%$ V_{CC} variation of the data sheet the 1ns window provided will be unnecessarily conservative. Using the curve of Figure 4 shows a delay variation due to a $\pm 3\%$ V_{CC} variation of ± 0.075 ns. Therefore the 1ns window can be reduced to $1\text{ns} - (0.27\text{ns} - 0.15\text{ns}) = 0.88\text{ns}$. Since H641a and H641b are on the same board we will assume that they will always be at the same V_{CC} ; therefore the propagation delay window will only be $1\text{ns} - 0.27\text{ns} = 0.73\text{ns}$.

Putting all of this information together leads to a skew between all devices of

$$0.19\text{ns} + 0.88\text{ns}$$

(temperature + supply, and inherent device),

while the skew between devices A and B will be only

$$0.19\text{ns} + 0.73\text{ns}$$

(temperature + inherent device only).

In both cases, the propagation delays will be centered around 5.42ns, resulting in the following t_{PLH} windows:

$$T_{PLH} = 4.92\text{ns} - 5.99\text{ns}; 1.07\text{ns window}$$

(all devices)

$$T_{PLH} = 5.00\text{ns} - 5.92\text{ns}; 0.92\text{ns window}$$

(devices a & b)

Of course the output-to-output skew will be as shown in the data sheet since all outputs are equally loaded.

This process may seem cumbersome, however the delay windows, and thus skew, obtained are significantly better than

the conservative worst case limits provided at the beginning of this note. For very high performance designs, this extra information and effort can mean the difference between going ahead with prototypes or spending valuable engineering time searching for alternative approaches.

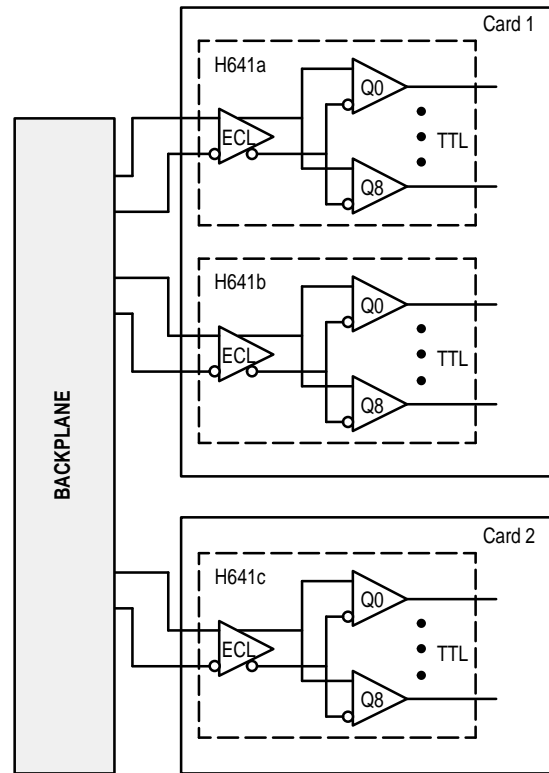
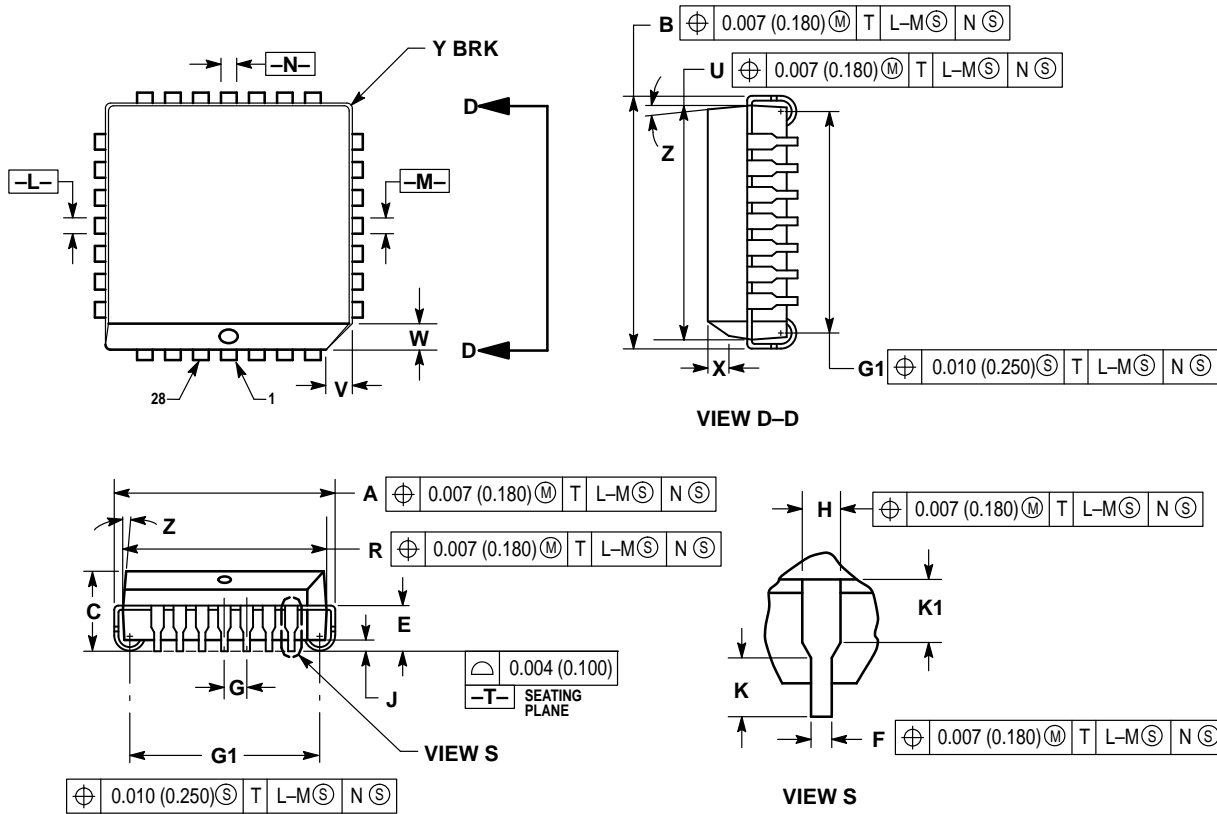


Figure 6. Example Application

OUTLINE DIMENSIONS


FN SUFFIX
 PLASTIC PLCC PACKAGE
 CASE 776-02
 ISSUE D



NOTES:

- DATUMS -L-, -M-, AND -N- DETERMINED WHERE TOP OF LEAD SHOULDER EXITS PLASTIC BODY AT MOLD PARTING LINE.
- DIMENSION G1, TRUE POSITION TO BE MEASURED AT DATUM -T-, SEATING PLANE.
- DIMENSIONS R AND U DO NOT INCLUDE MOLD FLASH. ALLOWABLE MOLD FLASH IS 0.010 (0.250) PER SIDE.
- DIMENSIONING AND TOLERANCING PER ANSI Y14.5M, 1982.
- CONTROLLING DIMENSION: INCH.
- THE PACKAGE TOP MAY BE SMALLER THAN THE PACKAGE BOTTOM BY UP TO 0.012 (0.300). DIMENSIONS R AND U ARE DETERMINED AT THE OUTERMOST EXTREMES OF THE PLASTIC BODY EXCLUSIVE OF MOLD FLASH, TIE BAR BURRS, GATE BURRS AND INTERLEAD FLASH, BUT INCLUDING ANY MISMATCH BETWEEN THE TOP AND BOTTOM OF THE PLASTIC BODY.
- DIMENSION H DOES NOT INCLUDE DAMBAR PROTRUSION OR INTRUSION. THE DAMBAR PROTRUSION(S) SHALL NOT CAUSE THE H DIMENSION TO BE GREATER THAN 0.037 (0.940). THE DAMBAR INTRUSION(S) SHALL NOT CAUSE THE H DIMENSION TO BE SMALLER THAN 0.025 (0.635).

DIM	INCHES		MILLIMETERS	
	MIN	MAX	MIN	MAX
A	0.485	0.495	12.32	12.57
B	0.485	0.495	12.32	12.57
C	0.165	0.180	4.20	4.57
E	0.090	0.110	2.29	2.79
F	0.013	0.019	0.33	0.48
G	0.050 BSC		1.27 BSC	
H	0.026	0.032	0.66	0.81
J	0.020	—	0.51	—
K	0.025	—	0.64	—
R	0.450	0.456	11.43	11.58
U	0.450	0.456	11.43	11.58
V	0.042	0.048	1.07	1.21
W	0.042	0.048	1.07	1.21
X	0.042	0.056	1.07	1.42
Y	—	0.020	—	0.50
Z	2°		10°	
G1	0.410	0.430	10.42	10.92
K1	0.040	—	1.02	—

Motorola reserves the right to make changes without further notice to any products herein. Motorola makes no warranty, representation or guarantee regarding the suitability of its products for any particular purpose, nor does Motorola assume any liability arising out of the application or use of any product or circuit, and specifically disclaims any and all liability, including without limitation consequential or incidental damages. "Typical" parameters which may be provided in Motorola data sheets and/or specifications can and do vary in different applications and actual performance may vary over time. All operating parameters, including "Typicals" must be validated for each customer application by customer's technical experts. Motorola does not convey any license under its patent rights nor the rights of others. Motorola products are not designed, intended, or authorized for use as components in systems intended for surgical implant into the body, or other applications intended to support or sustain life, or for any other application in which the failure of the Motorola product could create a situation where personal injury or death may occur. Should Buyer purchase or use Motorola products for any such unintended or unauthorized application, Buyer shall indemnify and hold Motorola and its officers, employees, subsidiaries, affiliates, and distributors harmless against all claims, costs, damages, and expenses, and reasonable attorney fees arising out of, directly or indirectly, any claim of personal injury or death associated with such unintended or unauthorized use, even if such claim alleges that Motorola was negligent regarding the design or manufacture of the part. Motorola and  are registered trademarks of Motorola, Inc. Motorola, Inc. is an Equal Opportunity/Affirmative Action Employer.

How to reach us:

USA/EUROPE/Locations Not Listed: Motorola Literature Distribution;
P.O. Box 20912; Phoenix, Arizona 85036. 1-800-441-2447 or 602-303-5454

MFAX: RMFAX0@email.sps.mot.com – TOUCHTONE 602-244-6609
INTERNET: <http://Design-NET.com>

JAPAN: Nippon Motorola Ltd.; Tatsumi-SPD-JLDC, 6F Seibu-Butsuryu-Center,
3-14-2 Tatsumi Koto-Ku, Tokyo 135, Japan. 03-81-3521-8315

ASIA/PACIFIC: Motorola Semiconductors H.K. Ltd.; 8B Tai Ping Industrial Park,
51 Ting Kok Road, Tai Po, N.T., Hong Kong. 852-26629298

