

TC74VHCT08AF, TC74VHCT08AFN, TC74VHCT08AFT

QUAD 2-INPUT AND GATE

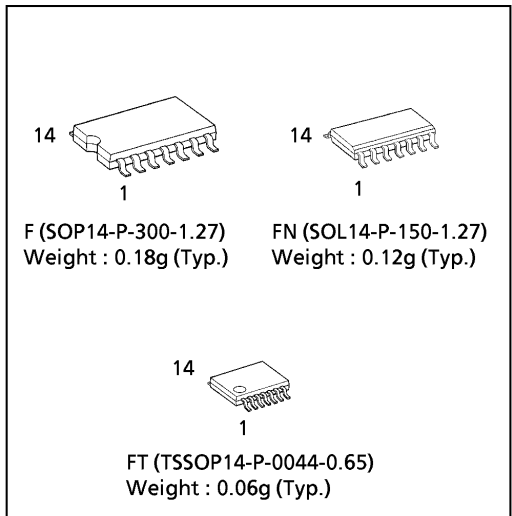
The TC74VHCT08A is an advanced high speed CMOS 2-INPUT AND GATE fabricated with silicon gate C²MOS technology. It achieves the high speed operation similar to equivalent Bipolar Schottky TTL while maintaining the CMOS low power dissipation. The input voltage are compatible with TTL output voltage. This device may be used as a level converter for interfacing 3.3V to 5V system. Input protection and output circuit ensure that 0 to 5.5V can be applied to the input and output*1 pins without regard to the supply voltage. These structure prevents device destruction due to mismatched supply and input/output voltages such as battery back up, hot board insertion, etc.

*1: $V_{cc} = 0V$

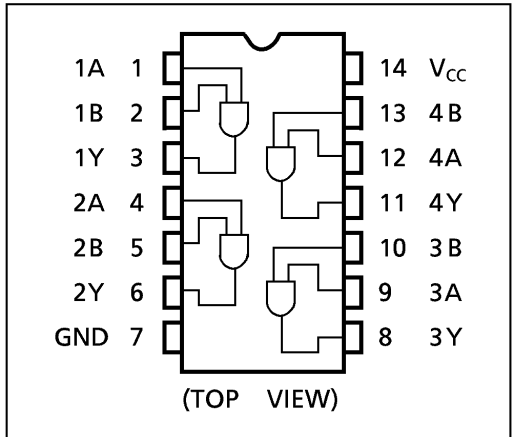
FEATURES :

- High Speed..... $t_{pd} = 5.0ns(typ.)$ at $V_{CC} = 5V$
- Low Power Dissipation..... $I_{CC} = 2\mu A(Max.)$ at $T_a = 25^{\circ}C$
- Compatible with TTL outputs..... $V_{IL} = 0.8V(Max.)$
 $V_{IH} = 2.0V(Min.)$
- Power Down Protection is provided on all inputs and outputs.
- Balanced Propagation Delays..... $t_{pLH} \approx t_{pHL}$
- Low Noise $V_{OLP} = 0.8V(Max.)$
- Pin and Function Compatible with the 74 series (74AC / HC / F / ALS / LS etc.) 08 type.

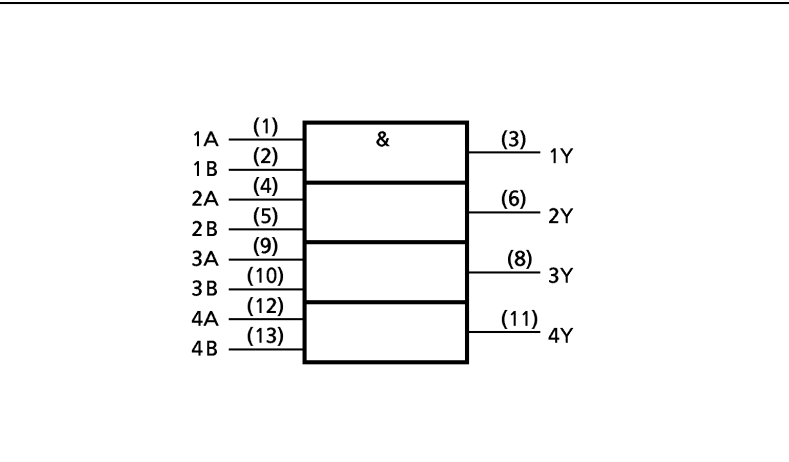
(Note) The JEDEC SOP (FN) is not available in Japan.



PIN ASSIGNMENT



IEC LOGIC SYMBOL



TRUTH TABLE

| A | B | Y |
|---|---|---|
| L | L | L |
| L | H | L |
| H | L | L |
| H | H | H |

961001EBA2

● TOSHIBA is continually working to improve the quality and the reliability of its products. Nevertheless, semiconductor devices in general can malfunction or fail due to their inherent electrical sensitivity and vulnerability to physical stress. It is the responsibility of the buyer, when utilizing TOSHIBA products, to observe standards of safety, and to avoid situations in which a malfunction or failure of a TOSHIBA product could cause loss of human life, bodily injury or damage to property. In developing your designs, please ensure that TOSHIBA products are used within specified operating ranges as set forth in the most recent products specifications. Also, please keep in mind the precautions and conditions set forth in the TOSHIBA Semiconductor Reliability Handbook.

ABSOLUTE MAXIMUM RATINGS

| PARAMETER | SYMBOL | VALUE | UNIT |
|-----------------------|-----------|-------------------------------|-------------|
| Supply Voltage Range | V_{CC} | -0.5~7.0 | V |
| DC Input Voltage | V_{IN} | -0.5~7.0 | V |
| DC Output Voltage | V_{OUT} | -0.5~7.0 (Note 1) | V |
| | | -0.5~ $V_{CC} + 0.5$ (Note 2) | |
| Input Diode Current | I_{IK} | -20 | mA |
| Output Diode Current | I_{OK} | ± 20 (Note 3) | mA |
| DC Output Current | I_{OUT} | ± 25 | mA |
| DC Vcc/Ground Current | I_{CC} | ± 50 | mA |
| Power Dissipation | P_D | 180 | mW |
| Storage Temperature | T_{stg} | -65~150 | $^{\circ}C$ |

(Note 1) $V_{CC} = 0V$

(Note 2) High or Low State. I_{OUT} absolute maximum rating must be observed.

(Note 3) $V_{OUT} < GND$, $V_{OUT} > V_{CC}$

RECOMMENDED OPERATING CONDITIONS

| PARAMETER | SYMBOL | VALUE | UNIT |
|--------------------------|-----------|----------------------|-------------|
| Supply Voltage | V_{CC} | 4.5~5.5 | V |
| Input Voltage | V_{IN} | 0~5.5 | V |
| Output Voltage | V_{OUT} | 0~5.5 (Note 4) | V |
| | | 0~ V_{CC} (Note 5) | |
| Operating Temperature | T_{opr} | -40~85 | $^{\circ}C$ |
| Input Rise and Fall Time | dt / dV | 0~20 | ns / V |

(Note 4) $V_{CC} = 0V$

(Note 5) High or Low State

961001EBA2'

- The products described in this document are subject to foreign exchange and foreign trade control laws.
- The information contained herein is presented only as a guide for the applications of our products. No responsibility is assumed by TOSHIBA CORPORATION for any infringements of intellectual property or other rights of the third parties which may result from its use. No license is granted by implication or otherwise under any intellectual property or other rights of TOSHIBA CORPORATION or others.
- The information contained herein is subject to change without notice.

DC ELECTRICAL CHARACTERISTICS

| PARAMETER | SYMBOL | CONDITON | V _{CC} (V) | Ta = 25°C | | | Ta = -40~85°C | | UNIT | |
|-----------------------------|------------------|--|-------------------------|-----------|------|------|---------------|------|------|---|
| | | | | MIN. | TYP. | MAX. | MIN. | MAX. | | |
| High - Level Input Voltage | V _{IH} | | 4.5~5.5 | 2.0 | — | — | 2.0 | — | V | |
| Low - Level Input Voltage | V _{IL} | | 4.5~5.5 | — | — | 0.8 | — | 0.8 | V | |
| High - Level Output Voltage | V _{OH} | V _{IN} = V _{IH} or V _{IL} | I _{OH} = -50μA | 4.5 | 4.40 | 4.50 | — | 4.40 | — | V |
| | | | I _{OH} = -8mA | 4.5 | 3.94 | — | — | 3.80 | — | |
| Low - Level Output Voltage | V _{OL} | V _{IN} = V _{IH} or V _{IL} | I _{OL} = 50μA | 4.5 | — | 0.0 | 0.1 | — | 0.1 | V |
| | | | I _{OL} = 8mA | 4.5 | — | — | 0.36 | — | 0.44 | |
| Input Leakage Current | I _{IN} | V _{IN} = 5.5V or GND | 0~5.5 | — | — | ±0.1 | — | ±1.0 | μA | |
| Quiescent Supply Current | I _{CC} | V _{IN} = V _{CC} or GND | 5.5 | — | — | 2.0 | — | 20.0 | | |
| | I _{CCT} | PER INPUT : V _{IN} = 3.4V OTHER INPUT : V _{CC} or GND | 5.5 | — | — | 1.35 | — | 1.50 | | |
| Output Leakage Current | I _{OPD} | V _{OUT} = 5.5V | 0 | — | — | 0.5 | — | 5.0 | μA | |

AC ELECTRICAL CHARACTERISTICS (Input $t_r = t_f = 3ns$)

| PARAMETER | SYMBOL | TEST CONDITION | Ta = 25°C | | | Ta = -40~85°C | | UNIT | |
|-------------------------------|------------------|----------------|---------------------|---------|------|---------------|------|------|------|
| | | | V _{CC} (V) | CL (pF) | MIN. | TYP. | MAX. | | MIN. |
| Propagation Delay Time | t _{pLH} | 5.0 ± 0.5 | 15 | — | 5.0 | 6.9 | 1.0 | 8.0 | ns |
| | t _{pHL} | | 50 | — | 5.5 | 7.9 | 1.0 | 9.0 | |
| Input Capacitance | C _{IN} | | — | 4 | 10 | — | 10 | pF | |
| Power Dissipation Capacitance | C _{PD} | (Note 6) | — | 18 | — | — | — | | |

(Note 6) C_{PD} is defined as the value of the internal equivalent capacitance which is calculated from the operating current consumption without load.

Average operating current can be obtained by the equation :

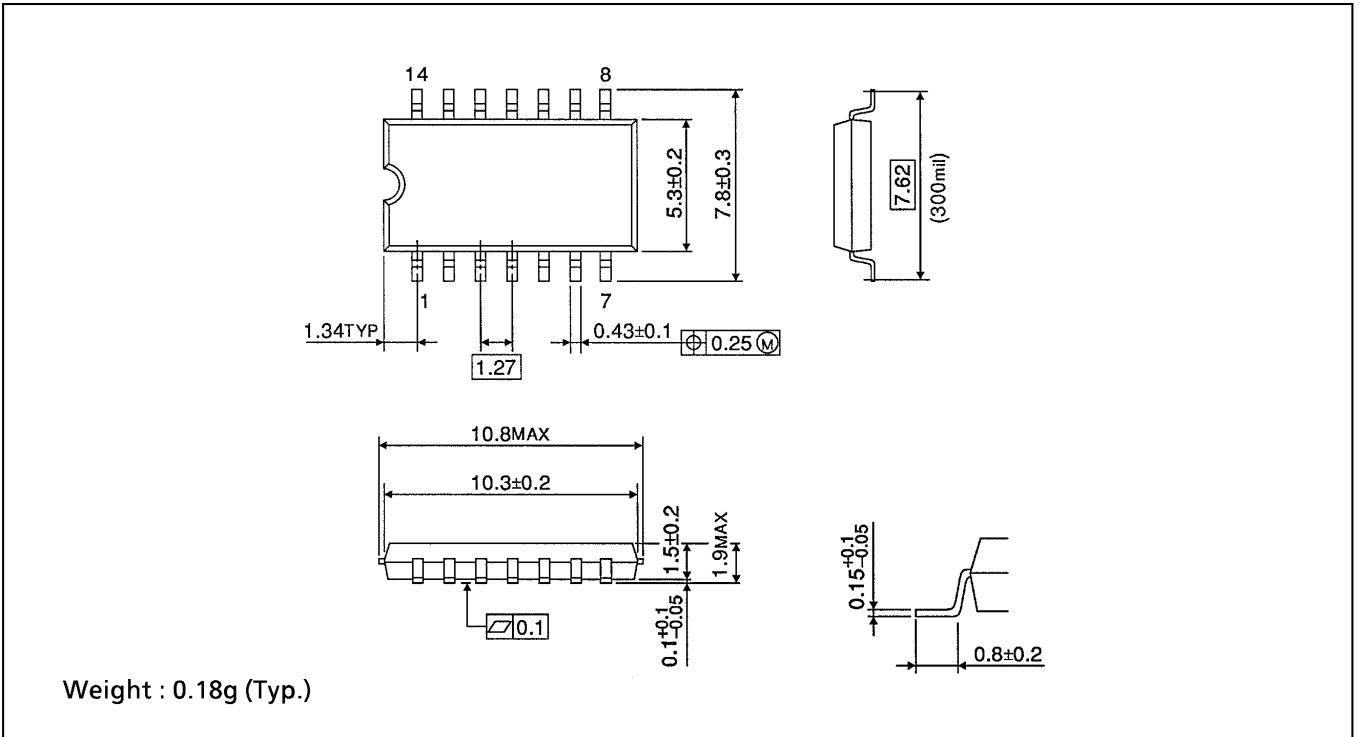
$$I_{CC(opr.)} = C_{PD} \cdot V_{CC} \cdot f_{IN} + I_{CC}/4 \text{ (per gate)}$$

NOISE CHARACTERISTICS (Input $t_r = t_f = 3ns$)

| PARAMETER | SYMBOL | TEST CONDITION | Ta = 25°C | | | UNIT |
|--|------------------|-----------------------|---------------------|------|------|------|
| | | | V _{CC} (V) | TYP. | MAX. | |
| Quiet Output Maximum Dynamic V _{OL} | V _{OLP} | C _L = 50pF | 5.0 | 0.4 | 0.8 | V |
| Quiet Output Minimum Dynamic V _{OL} | V _{OLV} | C _L = 50pF | 5.0 | -0.4 | -0.8 | V |
| Minimum High Level Dynamic Input Voltage | V _{IHD} | C _L = 50pF | 5.0 | — | 2.0 | V |
| Maximum Low Level Dynamic Input Voltage | V _{ILD} | C _L = 50pF | 5.0 | — | 0.8 | V |

SOP 14PIN (200mil BODY) OUTLINE DRAWING (SOP14-P-300-1.27)

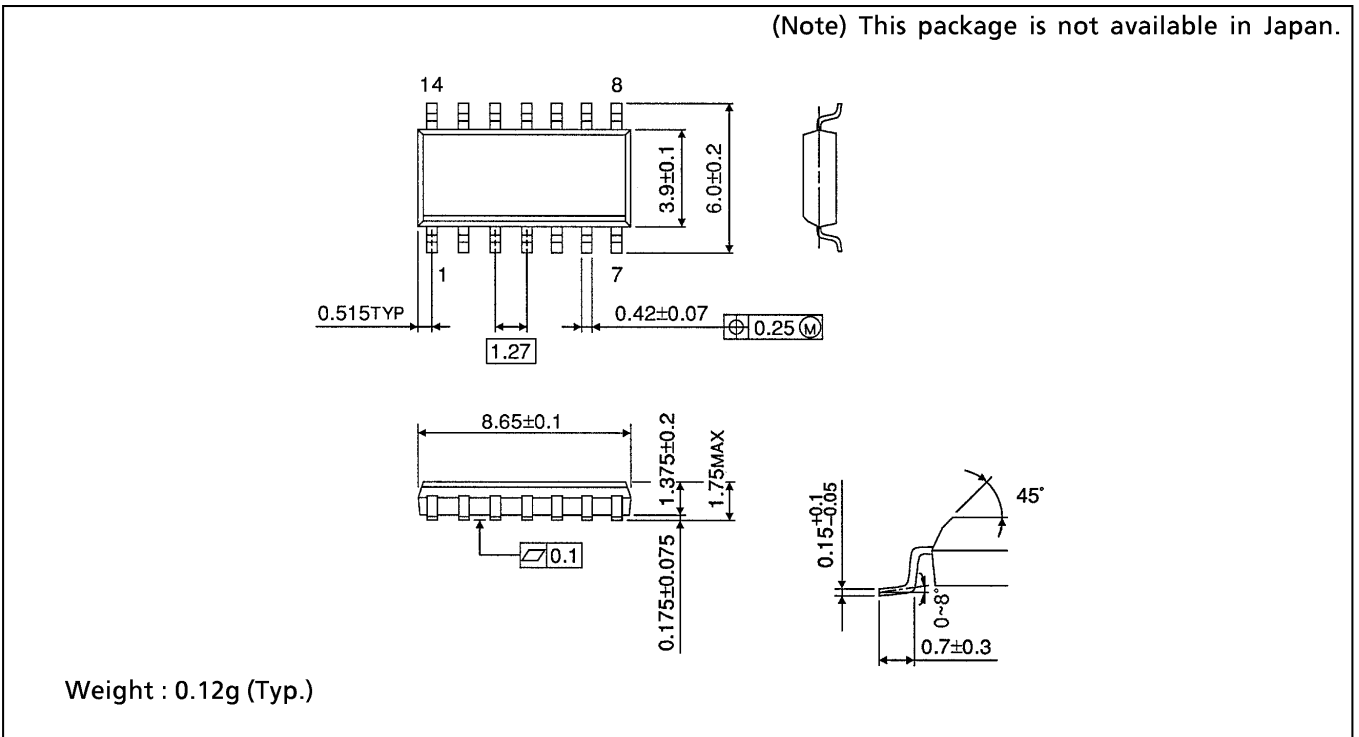
Unit in mm



SOP 14PIN (150mil BODY) OUTLINE DRAWING (SOP14-P-150-1.27)

Unit in mm

(Note) This package is not available in Japan.



TSSOP 14PIN OUTLINE DRAWING (TSSOP14-P-0044-0.65)

Unit in mm

