

<b>SANYO</b>	No.730F	<b>LB1450</b>
	<b>LED Tuning Indicator</b>	

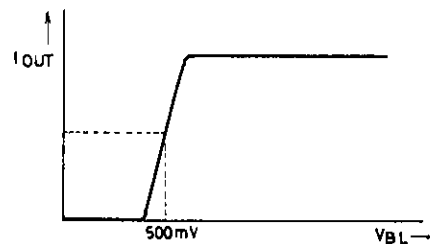
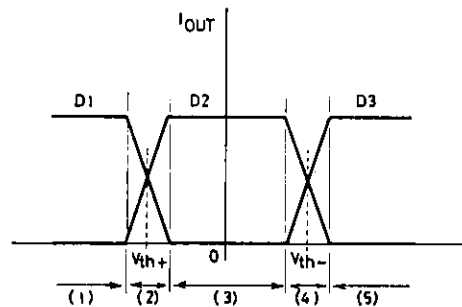
**Use**

Indicates tuning condition of FM receiver by means of 5 mode - 3 LED's

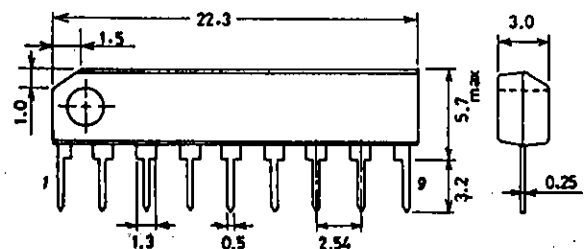
**Features**

1. 3 LED's display 5 mode tuning condition.  
Since the LED's are driven under constant current supply, the LED current varies as shown below when two LED's are lighted on simultaneously. This causes their brightness to vary, and enables the dynamic indication.
2. Desired tuning width can be set as the threshold width of window comparator is variable externally.
3. No switching radiation can be made as LED current changes over linearly.
4. Blanking at station interval and AM reception is easy to set by blanking pin.
5. Direct interface can be made to IF IC using quadrature detector (ex. LA1231, LA1140, etc.)
6. Single-ended 9 pin packaged with small mounting area.

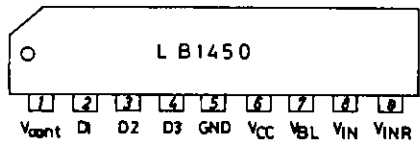
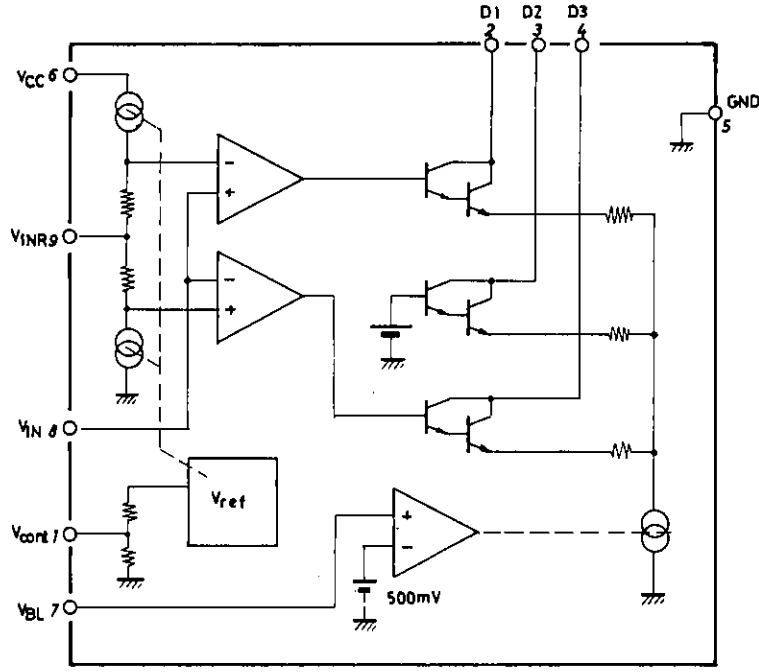
mode	LED light-ing mode			tuning condition
(1)	▶	○	◁	(-) detuned
(2)	◐	◑	◒	semituned
(3)	◓	●	◔	tuned
(4)	◕	◖	◗	semituned
(5)	◘	○	◙	(+) detuned
(6)	◚	○	◛	lighted off



**Package Dimensions 3017B**  
unit: mm



Equivalent Circuit Block Diagram and Pin Assignment



Absolute Maximum Ratings at  $T_a=25^\circ\text{C}$

Max. Supply Voltage	$V_{CCmax}$		18	V
Max. Input Voltage	$V_{INR}$	$V_{CC} > V_{INR}$	-0.3 to +16	V
	$V_{IN}$	$V_{CC} > V_{IN}$	-0.3 to +16	V
	$V_{cont}$		-0.3 to +4	V
	$V_{BL}$	$V_{CC} > V_{BL}$	-0.3 to +16	V
Max. Output Voltage	$V_{out}$	Pin2, 3, 4	16	V
Allowable Power Dissipation	$P_{dmax}$	$T_a=60^\circ\text{C}$	500	mW
Operating Temperature	$T_{opr}$		-20 to +70	$^\circ\text{C}$

Allowable Operating Conditions at  $T_a=25^\circ\text{C}$

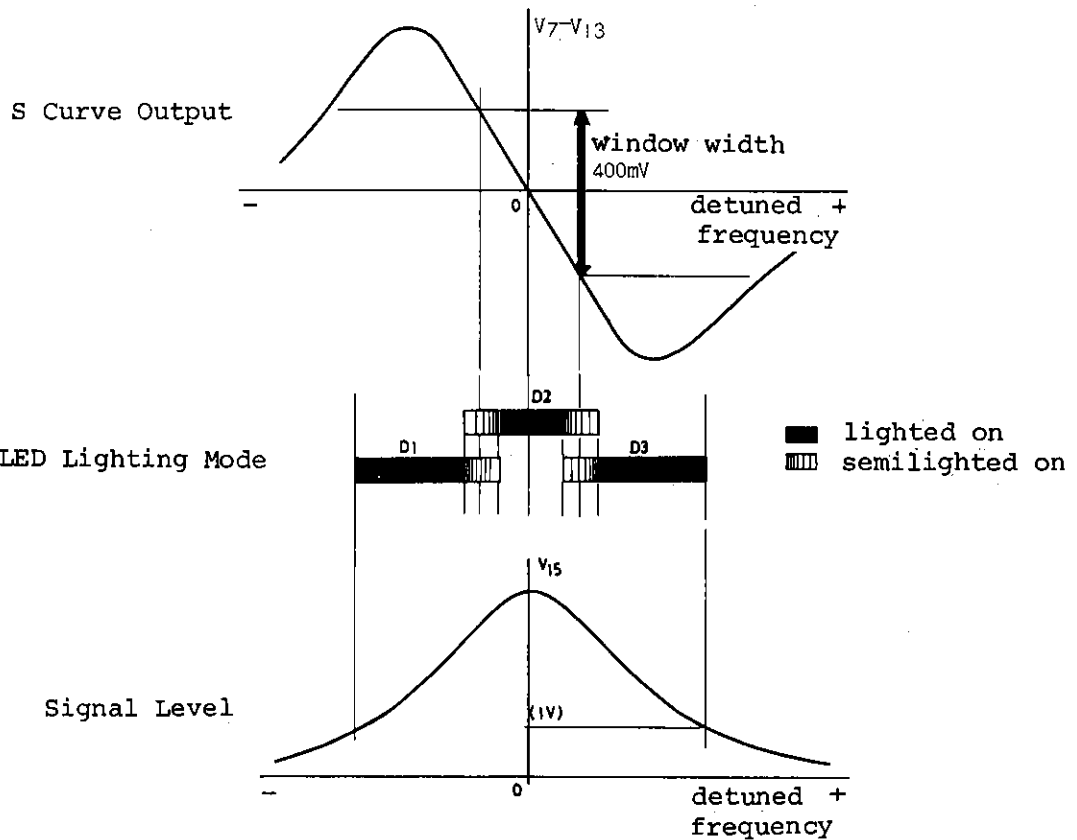
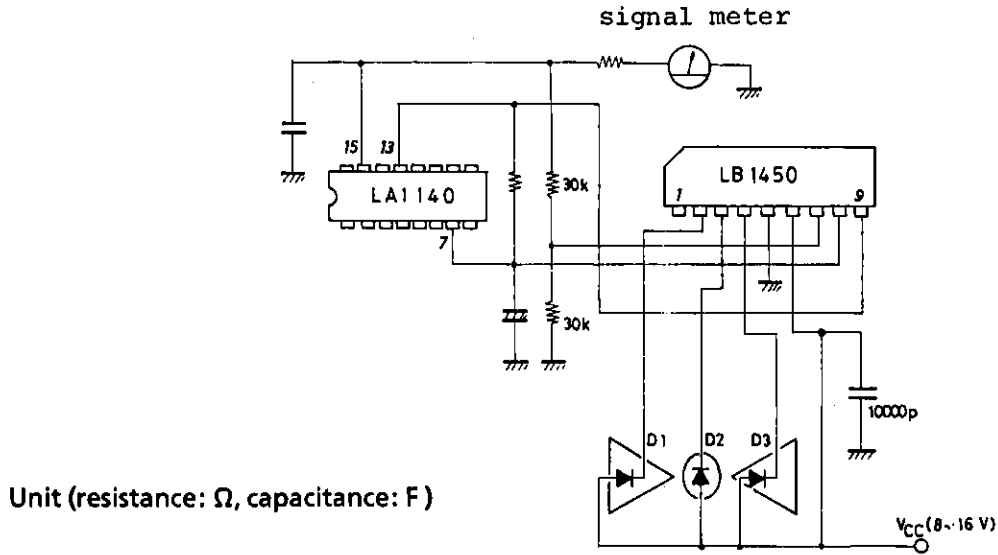
Supply Voltage	$V_{CC}$	8 to 16	V
Tuning Indicaition Voltage Width	$V_T$	200	mV

Electrical Characteristics at  $T_a=25^\circ\text{C}$ ,  $V_{CC}=12\text{V}$

		min	typ	max	unit	
Input Bias Current	$I_{IN}$	-2		0	$\mu\text{A}$	
	$I_{INR}$	-20		+20	$\mu\text{A}$	
	$I_{INBL}$	-2		0	$\mu\text{A}$	
Threshold Voltage	$V_{th+}$	150	200	250	mV	
	$V_{th-}$	-250	-200	-150	mV	
	$V_w$	30	50	100	mV	
	Simultaneous Lighting Width	$I_{OUT1}, I_{OUT2}, I_{OUT3}$	11	18	25	mA
Output Current	$V_{BL(L)}$	360	430	500	mV	
Blanking Threshold Voltage	$V_{BL(H)}$	410	500	550	mV	
	$I_{OFF}$			10	$\mu\text{A}$	
Output Leak Current	$I_{CC}$	LED current excluded	3.0	3.8	5.6	mA
Current Dissipation						

LB1450

Application : The case of window width 400mV typ. ( $\pm 200\text{mV}$ ) and interstation blanking.



- No products described or contained herein are intended for use in surgical implants, life-support systems, aerospace equipment, nuclear power control systems, vehicles, disaster/crime-prevention equipment and the like, the failure of which may directly or indirectly cause injury, death or property loss.
- Anyone purchasing any products described or contained herein for an above-mentioned use shall:
  - ① Accept full responsibility and indemnify and defend SANYO ELECTRIC CO., LTD., its affiliates, subsidiaries and distributors and all their officers and employees, jointly and severally, against any and all claims and litigation and all damages, cost and expenses associated with such use.
  - ② Not impose any responsibility for any fault or negligence which may be cited in any such claim or litigation on SANYO ELECTRIC CO., LTD., its affiliates, subsidiaries and distributors or any of their officers and employees jointly or severally.
- Information (including circuit diagrams and circuit parameters) herein is for example only; it is not guaranteed for volume production. SANYO believes information herein is accurate and reliable, but no guarantees are made or implied regarding its use or any infringements of intellectual property rights or other rights of third parties.