



LCDP1521

DUAL LINE PROGRAMMABLE TRANSIENT VOLTAGE SUPPRESSOR FOR SLIC PROTECTION

A.S.D.™

FEATURES

- Dual line programmable transient voltage suppressor
- Wide negative firing voltage range:
 $V_{MGL} = -150 \text{ V max.}$
- Low dynamic switching voltages: V_{FP} and V_{DGL}
- Low gate triggering current: $I_{GT} = 5 \text{ mA max}$
- Peak pulse current: $I_{PP} = 15 \text{ A (10/1000 } \mu\text{s)}$
- Holding current: $I_H = 150 \text{ mA min}$

DESCRIPTION

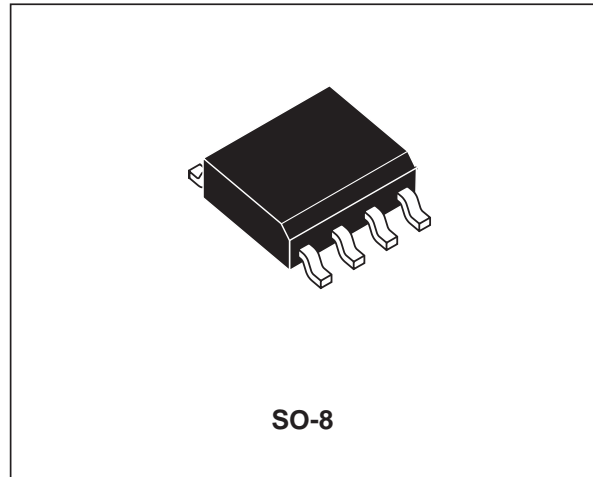
This device has been especially designed to protect 2 new high voltage, as well as classical SLICs, against transient overvoltages.

Positive overvoltages are clamped by 2 diodes. Negative surges are suppressed by 2 thyristors, their breakdown voltage being referenced to $-V_{BAT}$ through the gate.

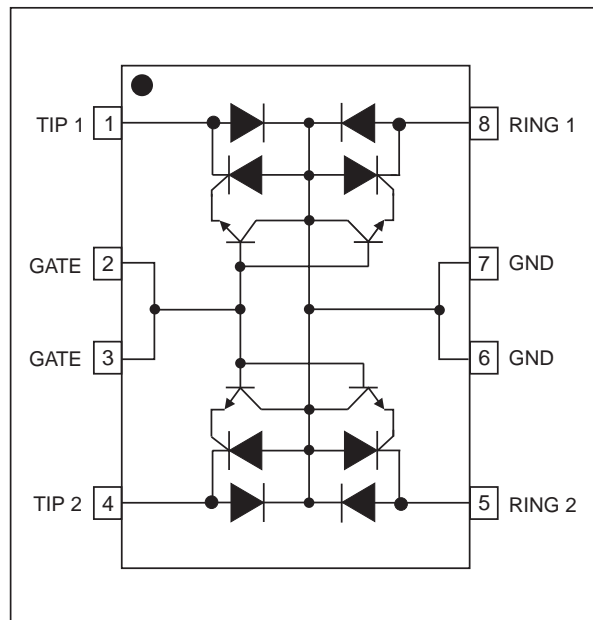
This component presents a very low gate triggering current (I_{GT}) in order to reduce the current consumption on printed circuit board during the firing phase.

BENEFITS

Trisils are not subject to ageing and provide a fail safe mode in short circuit for a better protection. Trisils are used to help equipment to meet various standards such as UL1950, IEC950 / CSA C22.2, UL1459 and FCC part68. Trisils have UL94 V0 resin approved (Trisils are UL497B approved (file: E136224)).



FUNCTIONAL DIAGRAM



IN COMPLIANCES WITH THE FOLLOWING STANDARDS

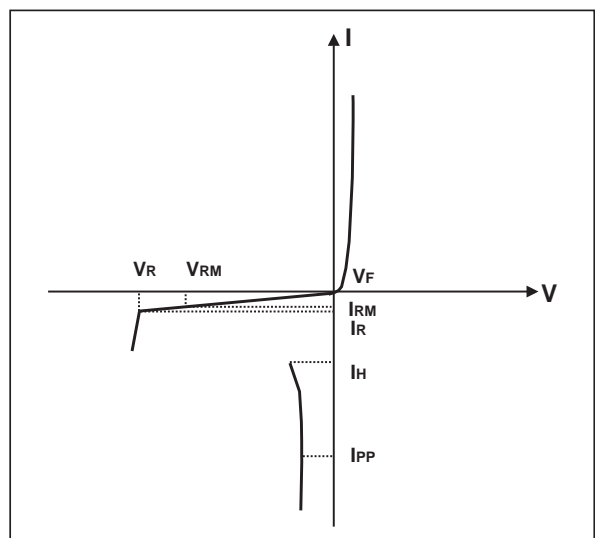
STANDARD	Peak Surge Voltage (V)	Voltage Waveform	Required peak current (A)	Current Waveform	Minimum serial resistor to meet standard (Ω)
GR-1089 Core First level	2500 1000	2/10 μ s 10/1000 μ s	500 100	2/10 μ s 10/1000 μ s	31 57
GR-1089 Core Second level	5000	2/10 μ s	500	2/10 μ s	62
GR-1089 Core Intra-building	1500	2/10 μ s	100	2/10 μ s	7
ITU-T-K20/K21	6000 1500	10/700 μ s	150 37.5	5/310 μ s	200 20
ITU-T-K20 (IEC61000-4-2)	8000 15000	1/60 ns	ESD contact discharge ESD air discharge		0 0
VDE0433	4000 2000	10/700 μ s	100 50	5/310 μ s	120 40
VDE0878	4000 2000	1.2/50 μ s	100 50	1/20 μ s	27 0
IEC61000-4-5	4000 4000	10/700 μ s 1.2/50 μ s	100 100	5/310 μ s 8/20 μ s	120 27
FCC Part 68, lightning surge type A	1500 800	10/160 μ s 10/560 μ s	200 100	10/160 μ s 10/560 μ s	43 32
FCC Part 68, lightning surge type B	1000	9/720 μ s	25	5/320 μ s	0

THERMAL RESISTANCE

Symbol	Parameter	Value	Unit
Rth (j-a)	Junction to ambient	170	$^{\circ}$ C/W

ELECTRICAL CHARACTERISTICS (T_{amb} = 25 $^{\circ}$ C)

Symbol	Parameter
I _{GT}	Gate triggering current
I _H	Holding current
I _{RM}	Reverse leakage current LINE / GND
I _{RG}	Reverse leakage current GATE / LINE
V _{RM}	Reverse voltage LINE / GND
V _{GT}	Gate triggering voltage
V _F	Forward drop voltage LINE / GND
V _{FP}	Peak forward voltage LINE / GND
V _{DGL}	Dynamic switching voltage GATE / LINE
V _{GATE}	GATE / GND voltage
V _{RG}	Reverse voltage GATE / LINE
C	Capacitance LINE / GND



ABSOLUTE RATINGS ($T_{amb} = 25^{\circ}\text{C}$, unless otherwise specified).

Symbol	Parameter		Value	Unit
I_{PP}	Peak pulse current (see note1)	10/1000 μs	15	A
		8/20 μs	60	
		10/560 μs	20	
		5/310 μs	25	
		10/160 μs	30	
		1/20 μs	60	
		2/10 μs	70	
I_{TSM}	Non repetitive surge peak on-state current (50Hz sinusoidal)	$t = 10\text{ms}$	5	A
		$t = 1\text{s}$	3.5	
I^2t	I^2t value for fusing (50Hz sinusoidal)	$t = 10\text{ms}$	0.125	A^2s
I_{GSM}	Maximum gate current (50Hz sinusoidal)	$t = 10\text{ms}$	2	A
V_{MLG} V_{MGL}	Maximum voltage LINE/GND	$-40^{\circ}\text{C} < T_{amb} < +85^{\circ}\text{C}$	-150	V
	Maximum voltage GATE/LINE	$-40^{\circ}\text{C} < T_{amb} < +85^{\circ}\text{C}$	-150	
T_{stg} T_j	Storage temperature range		- 55 to + 150	$^{\circ}\text{C}$
	Maximum junction temperature		150	
T_L	Maximum lead temperature for soldering during 10s		260	$^{\circ}\text{C}$

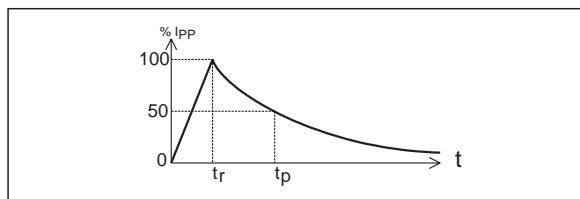
Repetitive peak pulse current

t_r : rise time (μs)

t_p : pulse duration (μs)

ex: Pulse waveform 10/1000 μs

$t_r = 10\mu\text{s}$ $t_p = 1000\mu\text{s}$



PARAMETERS RELATED TO THE DIODE LINE / GND ($T_{amb} = 25^{\circ}\text{C}$)

Symbol	Test conditions				Max	Unit
V_F	$I_F = 1\text{A}$		$t = 500\mu\text{s}$		2	V
V_{FP} (note 1)	10/700 μs	1.5kV	$R_S = 110\Omega$	$I_{PP} = 10\text{A}$	5	V
	1.2/50 μs	1.5kV	$R_S = 60\Omega$	$I_{PP} = 15\text{A}$	10	
	2/10 μs	2.5kV	$R_S = 245\Omega$	$I_{PP} = 10\text{A}$	20	

Note 1: see test circuit for V_{FP} ; R_S is the protection resistor located on the line card.

LCDP1521

PARAMETERS RELATED TO THE PROTECTION THYRISTOR ($T_{amb} = 25^{\circ}\text{C}$ unless otherwise specified)

Symbol	Test conditions		Min	Max	Unit
I_{GT}	$V_{GND/LINE} = -48\text{V}$		0.1	5	mA
I_H	$V_{GATE} = -48\text{V}$ (note 2)		150		mA
V_{GT}	at I_{GT}			2.5	V
I_{RG}	$V_{RG} = -150\text{V}$ $V_{RG} = -150\text{V}$	$T_c=25^{\circ}\text{C}$ $T_c=85^{\circ}\text{C}$		5 50	μA
V_{DGL}	$V_{GATE} = -48\text{V}$ (note 3)				
	10/700 μs	1.5kV $R_s = 110\Omega$ $I_{pp} = 10\text{A}$		5	V
	1.2/50 μs	1.5kV $R_s = 60\Omega$ $I_{pp} = 15\text{A}$		10	
	2/10 μs	2.5kV $R_s = 245\Omega$ $I_{pp} = 10\text{A}$		20	

Note 2: see functional holding current (I_H) test circuit

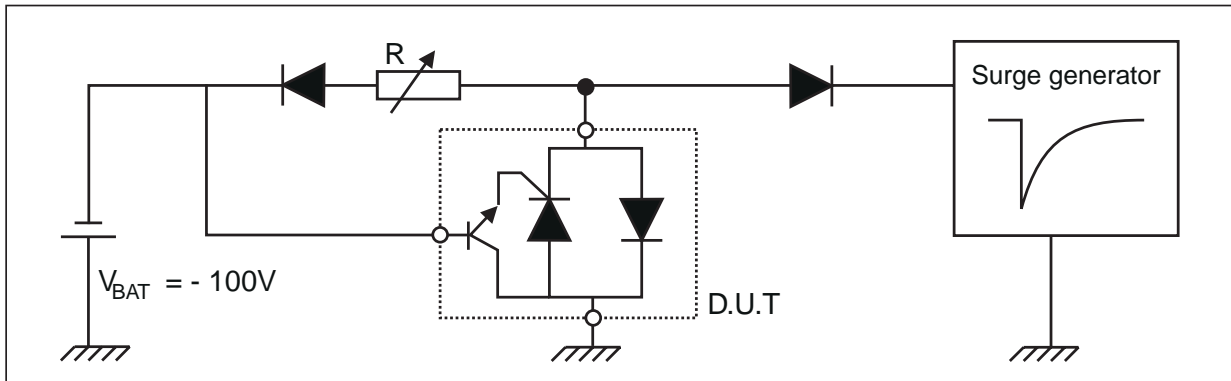
Note 3: see test circuit for V_{DGL}

The oscillations with a time duration lower than 50ns are not taken into account

PARAMETERS RELATED TO DIODE AND PROTECTION THYRISTOR ($T_{amb} = 25^{\circ}\text{C}$, unless otherwise specified)

Symbol	Test conditions		Typ.	Max.	Unit
I_{RM}	$V_{GATE/LINE} = -1\text{V}$ $V_{RM} = -150\text{V}$ $V_{GATE/LINE} = -1\text{V}$ $V_{RM} = -150\text{V}$	$T_c=25^{\circ}\text{C}$ $T_c=85^{\circ}\text{C}$		5 50	μA
C	$V_R = 50\text{V}$ bias, $V_{RMS} = 1\text{V}$, $F = 1\text{MHz}$ $V_R = 2\text{V}$ bias, $V_{RMS} = 1\text{V}$, $F = 1\text{MHz}$		20 48		pF

FUNCTIONAL HOLDING CURRENT (I_H) TEST CIRCUIT : GO-NO GO TEST

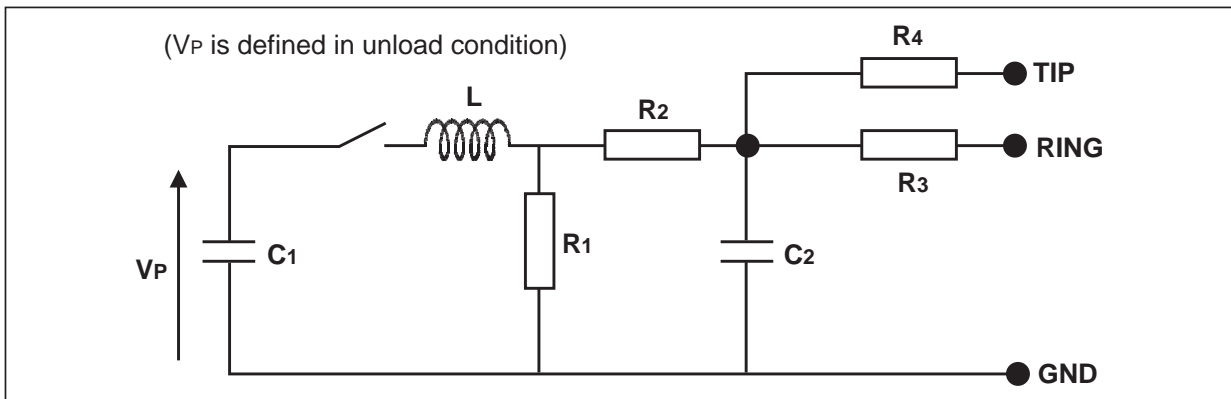


This is a GO-NO GO test which allows to confirm the holding current (I_H) level in a functional test circuit.

TEST PROCEDURE :

- Adjust the current level at the I_H value by short circuiting the D.U.T.
- Fire the D.U.T. with a surge current : $I_{PP} = 10A, 10/1000\mu s$.
- The D.U.T. will come back to the off-state within a duration of 50ms max.

TEST CIRCUIT FOR V_{FP} AND V_{DGL} PARAMETERS



Pulse (μs)		V_p (V)	C_1 (μF)	C_2 (nF)	L (μH)	R_1 (Ω)	R_2 (Ω)	R_3 (Ω)	R_4 (Ω)	I_{PP} (A)	R_s (Ω)
t_r	t_p										
10	700	1500	20	200	0	50	15	25	25	10	110
1.2	50	1500	1	33	0	76	13	25	25	15	60
2	10	2500	10	0	1.1	1.3	0	3	3	10	245

TECHNICAL INFORMATION

Fig. A1: LCDP1521 concept behavior.

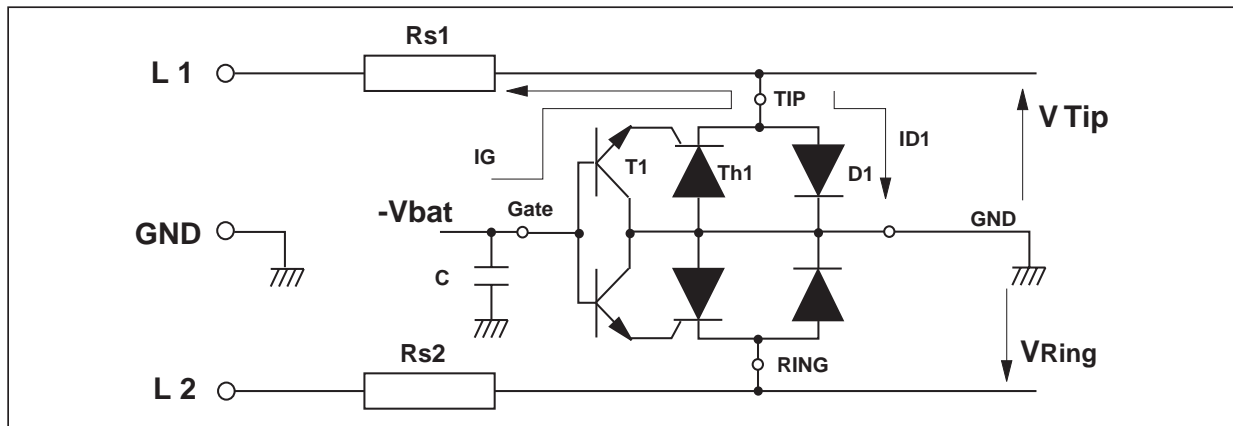


Figure A1 shows the classical protection circuit using the LCDP1521 crowbar concept. This topology has been developed to protect the new high voltage SLICs. It allows to program the negative firing threshold while the positive clamping value is fixed at GND.

When a negative surge occurs on one wire (L1 for example), a current I_G flows through the base of the transistor T1 and then injects a current in the gate of the thyristor Th1. Th1 fires and all the surge current flows through the ground. After the surge when the current flowing through Th1 becomes less negative than the holding current I_H , then Th1 switches off.

When a positive surge occurs on one wire (L1 for example), the diode D1 conducts and the surge current flows through the ground.

The capacitor C is used to speed up the crowbar structure firing during the fast surge edges.

This allows to minimize the dynamical breakover voltage at the SLIC Tip and Ring inputs during fast strikes. Note that this capacitor is generally present around the SLIC - Vbat pin.

So to be efficient it has to be as close as possible from the LCDP1521 Gate pin and from the reference ground track (or plan). The optimized value for C is 220nF.

The series resistors Rs1 and Rs2 designed in figure A1 represent the fuse resistors or the PTC which are mandatory to withstand the power contact or the power induction tests imposed by the various country standards. Taking into account this fact the actual lightning surge current flowing through the LCDP is equal to:

$$I_{\text{surge}} = V_{\text{surge}} / (R_g + R_s)$$

With V_{surge} = peak surge voltage imposed by the standard.

R_g = series resistor of the surge generator

R_s = series resistor of the line card (equivalent to PTC + R on Fig. A2)

e.g. For a line card with 60Ω of series resistors which has to be qualified under GR1089 Core 1000V 10/1000 μ s surge, the actual current through the LCDP1521 is equal to:

$$I_{\text{surge}} = 1000 / (10 + 60) = \mathbf{14A}$$

The LCDP1521 is particularly optimized for the new telecom applications such as the fiber in the loop, the WLL, the remote central office. In this case, the operating voltages are smaller than in the classical system. This makes the high voltage SLICs particularly suitable. The schematics of figure A2 gives the most frequent topology used for these applications.

Fig. A2: Protection of high voltage SLICs.

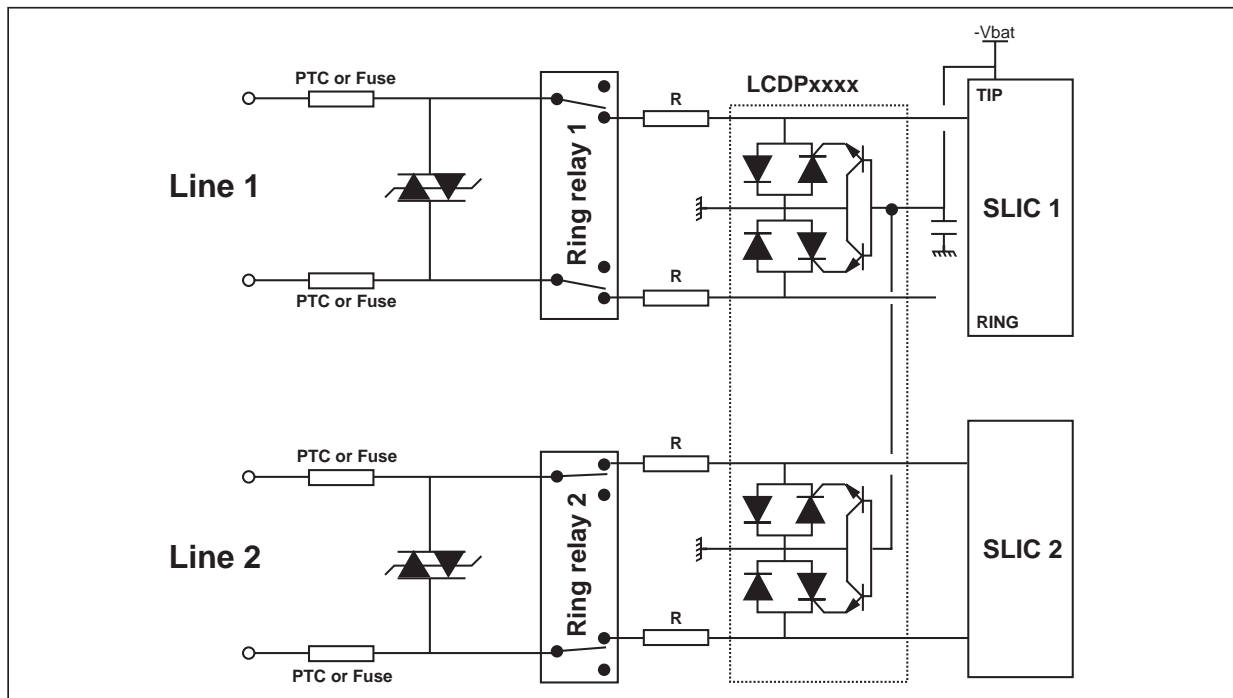


Fig. 1: Surge peak current versus overload duration.

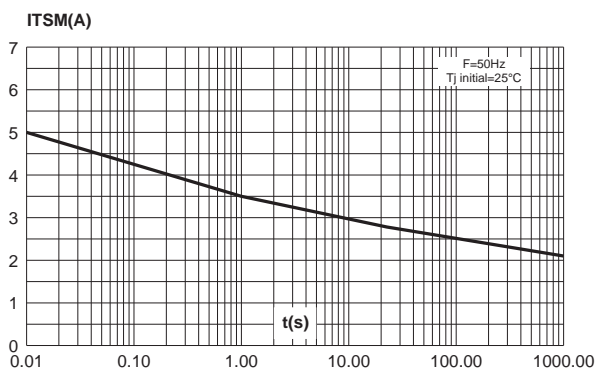
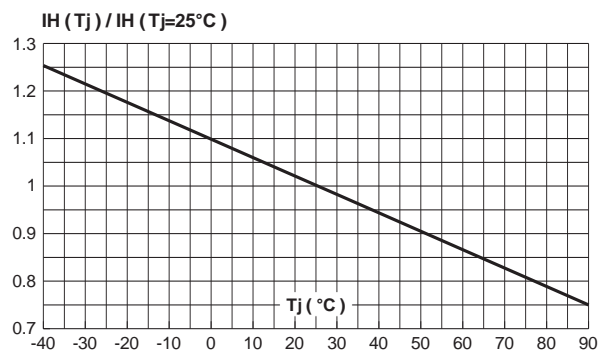
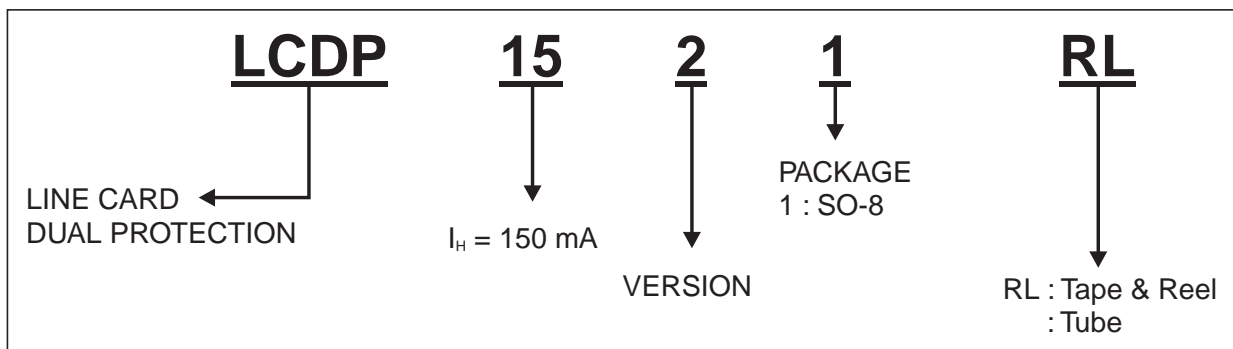


Fig. 2: Relative variation of holding current versus junction temperature

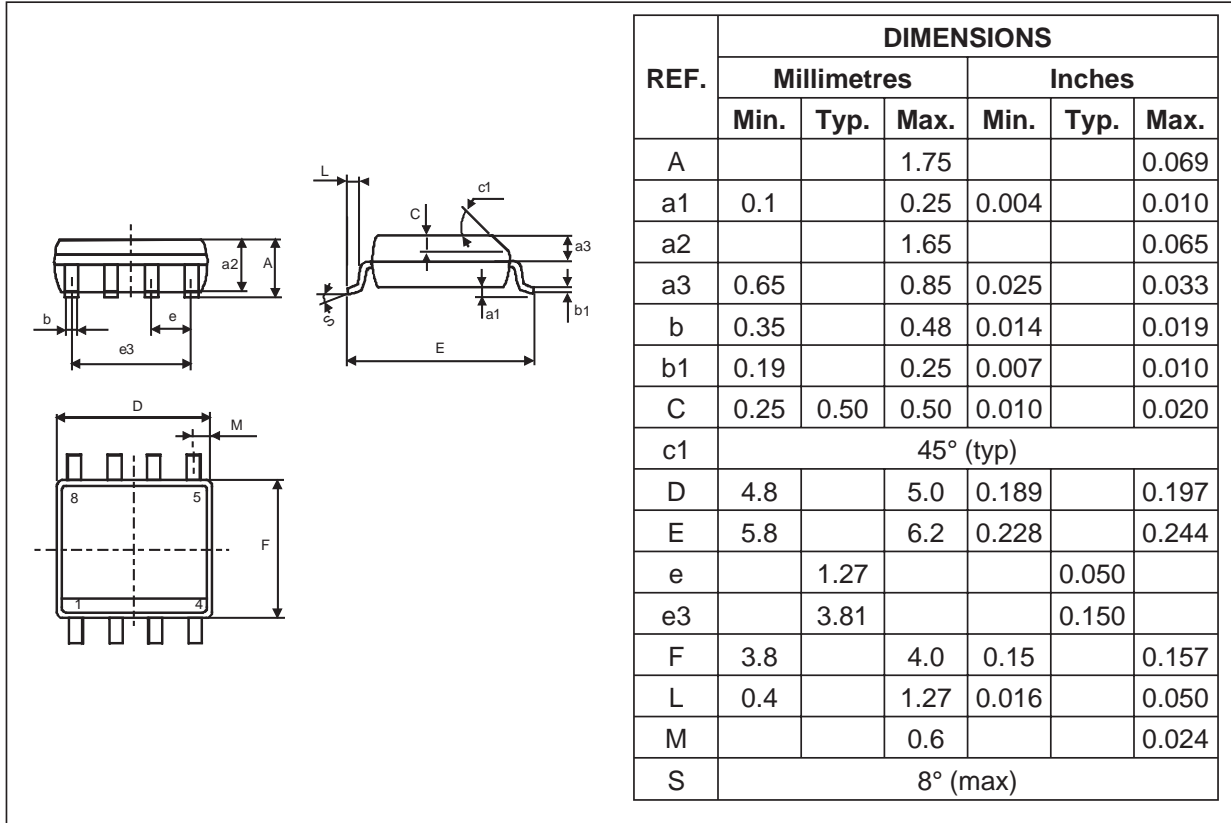


ORDER CODE



LCDP1521

PACKAGE MECHANICAL DATA SO-8 (Plastic)



Order code	Marking	Package	Weight	Base qty	Delivery mode
LCDP1521	CDP152	SO-8	0.08 g	100	Tube
LCDP1521RL	CDP152	SO-8	0.08 g	2500	Tape & Reel

Information furnished is believed to be accurate and reliable. However, STMicroelectronics assumes no responsibility for the consequences of use of such information nor for any infringement of patents or other rights of third parties which may result from its use. No license is granted by implication or otherwise under any patent or patent rights of STMicroelectronics. Specifications mentioned in this publication are subject to change without notice. This publication supersedes and replaces all information previously supplied. STMicroelectronics products are not authorized for use as critical components in life support devices or systems without express written approval of STMicroelectronics.

The ST logo is a registered trademark of STMicroelectronics
 © 2002 STMicroelectronics - Printed in Italy - All rights reserved.
 STMicroelectronics GROUP OF COMPANIES
 Australia - Brazil - Canada - China - Finland - France - Germany
 Hong Kong - India - Israel - Italy - Japan - Malaysia - Malta - Morocco - Singapore
 Spain - Sweden - Switzerland - United Kingdom - United States.
<http://www.st.com>