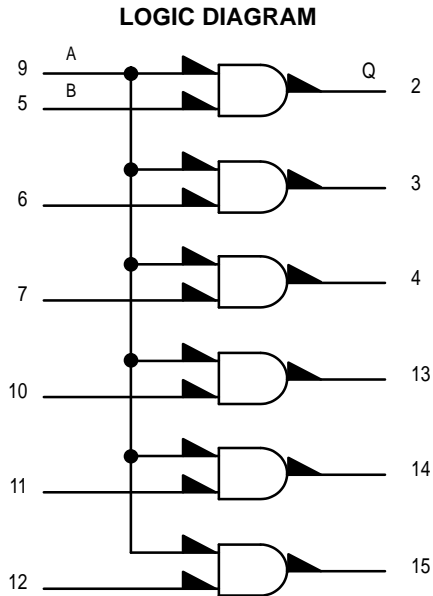


# Hex AND Gate

The MC10197 provides a high speed hex AND function with strobe capability.

$P_D = 200 \text{ mW typ/pkg (No Load)}$   
 $t_{pd} = 2.8 \text{ ns typ (B-Q)}$   
 $t_{pd} = 3.8 \text{ ns typ (A-Q)}$   
 $t_r, t_f = 2.5 \text{ ns typ (20\%–80\%)}$

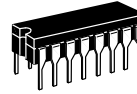


$V_{CC1} = \text{PIN } 1$   
 $V_{CC2} = \text{PIN } 16$   
 $VEE = \text{PIN } 8$

**TRUTH TABLE**

| Inputs |   | Output |
|--------|---|--------|
| A      | B | Q      |
| L      | L | L      |
| L      | H | L      |
| H      | L | L      |
| H      | H | H      |

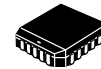
## MC10197



**L SUFFIX**  
CERAMIC PACKAGE  
CASE 620-10

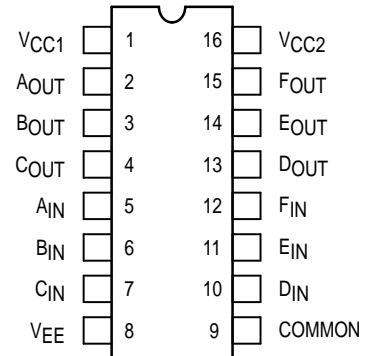


**P SUFFIX**  
PLASTIC PACKAGE  
CASE 648-08



**FN SUFFIX**  
PLCC  
CASE 775-02

**DIP  
PIN ASSIGNMENT**



Pin assignment is for Dual-in-Line Package.  
 For PLCC pin assignment, see the Pin Conversion  
 Tables on page 6-11 of the Motorola MECL Data  
 Book (DL122/D).



## ELECTRICAL CHARACTERISTICS

| Characteristic             | Symbol                                 | Pin Under Test | Test Limits |        |        |     |        |        |        | Unit |
|----------------------------|--|----------------|-------------|--------|--------|-----|--------|--------|--------|------|
|                            |  |                | -30°C       |        | +25°C  |     |        | +85°C  |        |      |
|                            |  |                | Min         | Max    | Min    | Typ | Max    | Min    | Max    |      |
| Power Supply Drain Current | I <sub>E</sub>                         | 8              |             | 54     |        | 39  | 49     |        | 54     | mAdc |
| Input Current              | I <sub>inH</sub>                       | 5              |             | 425    |        |     | 265    |        | 265    | μAdc |
|                            |  | 9              |             | 460    |        |     | 290    |        | 290    |      |
|                            | I <sub>inL</sub>                       | 5              | 0.5         |        | 0.5    |     | 0.3    |        |        | μAdc |
| Output Voltage Logic 1     | V <sub>OH</sub>                        | 2              | -1.060      | -0.890 | -0.960 |     | -0.810 | -0.890 | -0.700 | Vdc  |
| Output Voltage Logic 0     | V <sub>OL</sub>                        | 2              | -1.890      | -1.675 | -1.850 |     | -1.650 | -1.825 | -1.615 | Vdc  |
| Threshold Voltage Logic 1  | V <sub>OHA</sub>                       | 2              | -1.080      |        | -0.980 |     |        | -0.910 |        | Vdc  |
| Threshold Voltage Logic 0  | V <sub>OLA</sub>                       | 2              |             | -1.655 |        |     | -1.630 |        | -1.595 | Vdc  |
| Switching Times (50Ω Load) |  |                |             |        |        |     |        |        |        | ns   |
| Propagation Delay          | t <sub>5+2+</sub><br>t <sub>9+2+</sub> | 2              | 1.1         | 4.2    | 1.1    | 2.8 | 4.0    | 1.1    | 4.4    |      |
|                            |  | 2              | 1.1         | 5.3    | 1.1    | 3.5 | 5.0    | 1.1    | 5.5    |      |
| Rise Time (20 to 80%)      | t <sub>2+</sub>                        | 2              | 1.1         | 4.7    | 1.1    | 2.5 | 4.5    | 1.1    | 5.0    |      |
| Fall Time (20 to 80%)      | t <sub>2-</sub>                        | 2              | 1.1         | 4.7    | 1.1    | 2.5 | 4.5    | 1.1    | 5.0    |      |

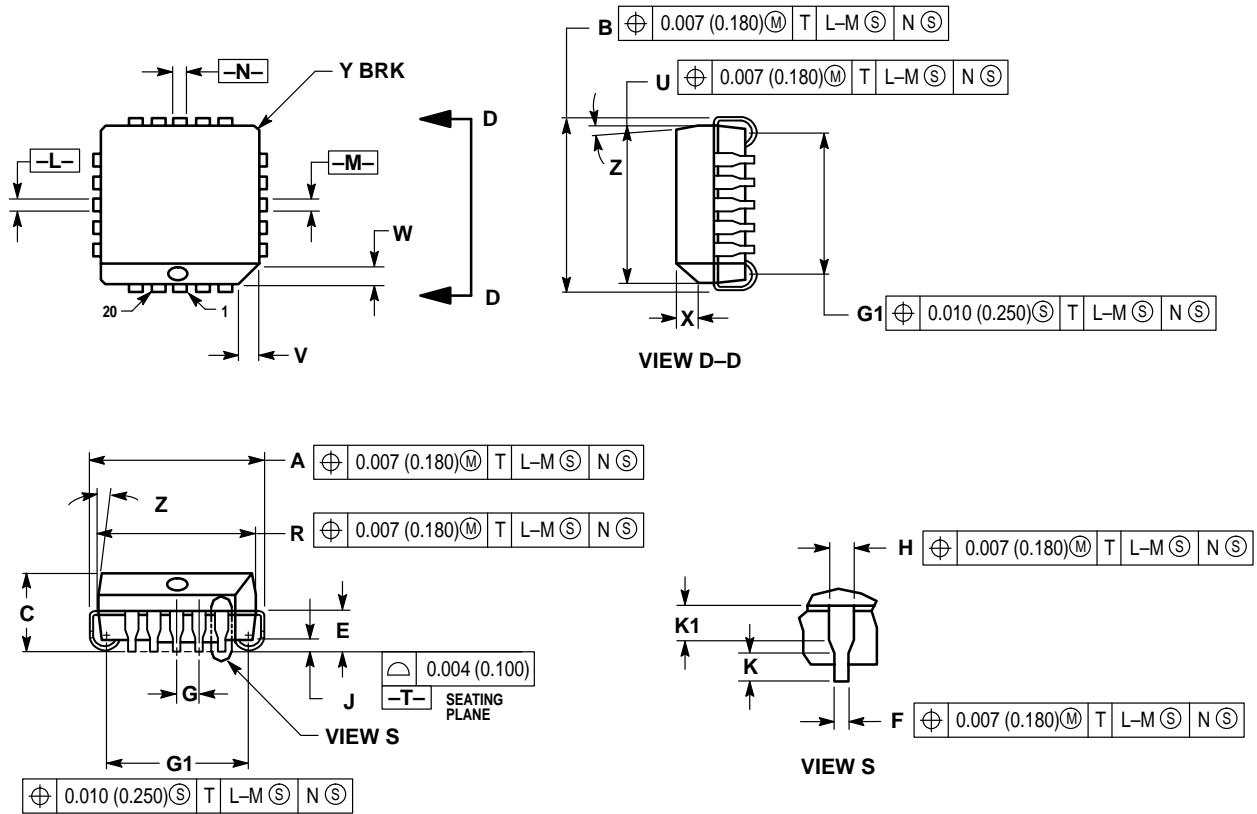
## ELECTRICAL CHARACTERISTICS (continued)

|                            |  |                | TEST VOLTAGE VALUES (Volts)               |                    |                     |                    |                 | (V <sub>CC</sub> )<br>Gnd |
|----------------------------|--|----------------|---|--------------------|---------------------|--------------------|-----------------|---------------------------|
|                            |  |                | V <sub>IHmax</sub>                        | V <sub>ILmin</sub> | V <sub>IHAmin</sub> | V <sub>ILAmx</sub> | V <sub>EE</sub> |                           |
| @ Test Temperature         |  |                |   |                    |                     |                    |                 |                           |
| -30°C                      |  |                | -0.890                                    | -1.890             | -1.205              | -1.500             | -5.2            |                           |
| +25°C                      |  |                | -0.810                                    | -1.850             | -1.105              | -1.475             | -5.2            |                           |
| +85°C                      |  |                | -0.700                                    | -1.825             | -1.035              | -1.440             | -5.2            |                           |
| Characteristic             | Symbol                                 | Pin Under Test | TEST VOLTAGE APPLIED TO PINS LISTED BELOW |                    |                     |                    |                 |                           |
|                            |  |                | V <sub>IHmax</sub>                        | V <sub>ILmin</sub> | V <sub>IHAmin</sub> | V <sub>ILAmx</sub> | V <sub>EE</sub> |                           |
| Power Supply Drain Current | I <sub>E</sub>                         | 8              |   |                    |                     |                    | 8               | 1, 16                     |
| Input Current              | I <sub>inH</sub>                       | 5              | 5   |                    |                     |                    | 8               | 1, 16                     |
|                            |  | 9              | 9   |                    |                     |                    | 8               | 1, 16                     |
|                            | I <sub>inL</sub>                       | 5              |   | 5                  |                     |                    | 8               | 1, 16                     |
| Output Voltage Logic 1     | V <sub>OH</sub>                        | 2              | 5, 9                                      |                    |                     |                    | 8               | 1, 16                     |
| Output Voltage Logic 0     | V <sub>OL</sub>                        | 2              |   |                    |                     |                    | 8               | 1, 16                     |
| Threshold Voltage Logic 1  | V <sub>OHA</sub>                       | 2              | 9   |                    | 5                   |                    | 8               | 1, 16                     |
| Threshold Voltage Logic 0  | V <sub>OLA</sub>                       | 2              | 9   |                    |                     | 5                  | 8               | 1, 16                     |
| Switching Times (50Ω Load) |  |                |   |                    |                     |                    |                 |                           |
| Propagation Delay          | t <sub>5+2+</sub><br>t <sub>9+2+</sub> | 2              |   | +1.11V             | Pulse In            | Pulse Out          | -3.2 V          | +2.0 V                    |
|                            |  | 2              |   | 9                  | 5                   | 2                  | 8               | 1, 16                     |
|                            |  | 2              |   | 5                  | 9                   | 2                  | 8               | 1, 16                     |
| Rise Time (20 to 80%)      | t <sub>2+</sub>                        | 2              |   | 9                  | 5                   | 2                  | 8               | 1, 16                     |
| Fall Time (20 to 80%)      | t <sub>2-</sub>                        | 2              |   | 9                  | 5                   | 2                  | 8               | 1, 16                     |

Each MECL 10,000 series circuit has been designed to meet the dc specifications shown in the test table, after thermal equilibrium has been established. The circuit is in a test socket or mounted on a printed circuit board and transverse air flow greater than 500 linear fpm is maintained. Outputs are terminated through a 50-ohm resistor to -2.0 volts. Test procedures are shown for only one gate. The other gates are tested in the same manner.

OUTLINE DIMENSIONS

FN SUFFIX  
PLASTIC PLCC PACKAGE  
CASE 775-02  
ISSUE C

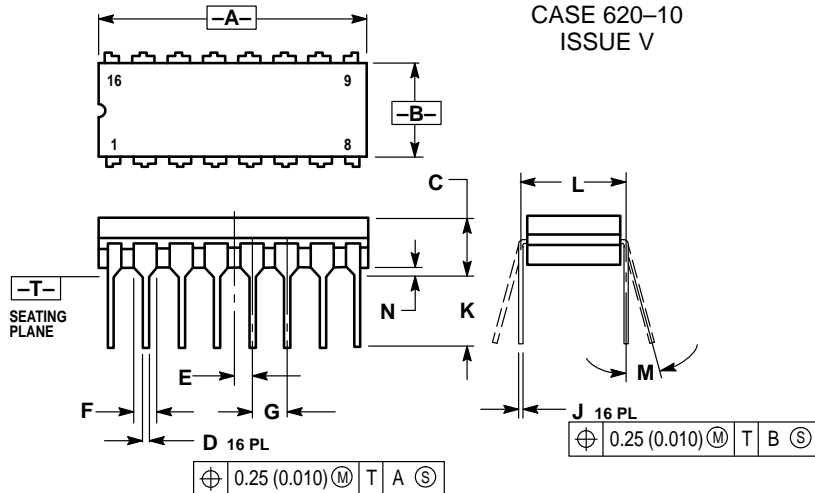


- NOTES:
- DATUMS -L-, -M-, AND -N- DETERMINED WHERE TOP OF LEAD SHOULDER EXITS PLASTIC BODY AT MOLD PARTING LINE.
  - DIMENSION G1, TRUE POSITION TO BE MEASURED AT DATUM -T-, SEATING PLANE.
  - DIMENSIONS R AND U DO NOT INCLUDE MOLD FLASH. ALLOWABLE MOLD FLASH IS 0.010 (0.250) PER SIDE.
  - DIMENSIONING AND TOLERANCING PER ANSI Y14.5M, 1982.
  - CONTROLLING DIMENSION: INCH.
  - THE PACKAGE TOP MAY BE SMALLER THAN THE PACKAGE BOTTOM BY UP TO 0.012 (0.300). DIMENSIONS R AND U ARE DETERMINED AT THE OUTERMOST EXTREMES OF THE PLASTIC BODY EXCLUSIVE OF MOLD FLASH, TIE BAR BURRS, GATE BURRS AND INTERLEAD FLASH, BUT INCLUDING ANY MISMATCH BETWEEN THE TOP AND BOTTOM OF THE PLASTIC BODY.
  - DIMENSION H DOES NOT INCLUDE DAMBAR PROTRUSION OR INTRUSION. THE DAMBAR PROTRUSION(S) SHALL NOT CAUSE THE H DIMENSION TO BE GREATER THAN 0.037 (0.940). THE DAMBAR INTRUSION(S) SHALL NOT CAUSE THE H DIMENSION TO BE SMALLER THAN 0.025 (0.635).

| DIM | INCHES    |       | MILLIMETERS |       |
|-----|-----------|-------|-------------|-------|
|     | MIN       | MAX   | MIN         | MAX   |
| A   | 0.385     | 0.395 | 9.78        | 10.03 |
| B   | 0.385     | 0.395 | 9.78        | 10.03 |
| C   | 0.165     | 0.180 | 4.20        | 4.57  |
| E   | 0.090     | 0.110 | 2.29        | 2.79  |
| F   | 0.013     | 0.019 | 0.33        | 0.48  |
| G   | 0.050 BSC |       | 1.27 BSC    |       |
| H   | 0.026     | 0.032 | 0.66        | 0.81  |
| J   | 0.020     | —     | 0.51        | —     |
| K   | 0.025     | —     | 0.64        | —     |
| R   | 0.350     | 0.356 | 8.89        | 9.04  |
| U   | 0.350     | 0.356 | 8.89        | 9.04  |
| V   | 0.042     | 0.048 | 1.07        | 1.21  |
| W   | 0.042     | 0.048 | 1.07        | 1.21  |
| X   | 0.042     | 0.056 | 1.07        | 1.42  |
| Y   | —         | 0.020 | —           | 0.50  |
| Z   | 2°        | 10°   | 2°          | 10°   |
| G1  | 0.310     | 0.330 | 7.88        | 8.38  |
| K1  | 0.040     | —     | 1.02        | —     |

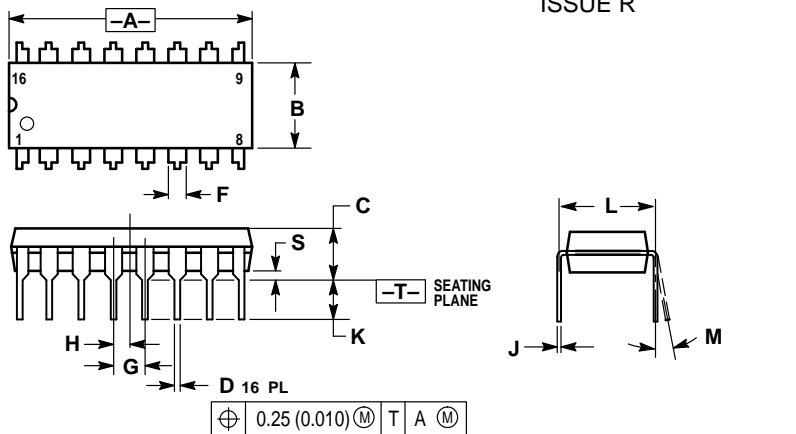
OUTLINE DIMENSIONS

**L SUFFIX**  
**CERAMIC DIP PACKAGE**  
 CASE 620-10  
 ISSUE V




- NOTES:
1. DIMENSIONING AND TOLERANCING PER ANSI Y14.5M, 1982.
  2. CONTROLLING DIMENSION: INCH.
  3. DIMENSION L TO CENTER OF LEAD WHEN FORMED PARALLEL.
  4. DIMENSION F MAY NARROW TO 0.76 (0.030) WHERE THE LEAD ENTERS THE CERAMIC BODY.

**P SUFFIX**  
**PLASTIC DIP PACKAGE**  
 CASE 648-08  
 ISSUE R



- NOTES:
1. DIMENSIONING AND TOLERANCING PER ANSI Y14.5M, 1982.
  2. CONTROLLING DIMENSION: INCH.
  3. DIMENSION L TO CENTER OF LEADS WHEN FORMED PARALLEL.
  4. DIMENSION B DOES NOT INCLUDE MOLD FLASH.
  5. ROUNDED CORNERS OPTIONAL.

Motorola reserves the right to make changes without further notice to any products herein. Motorola makes no warranty, representation or guarantee regarding the suitability of its products for any particular purpose, nor does Motorola assume any liability arising out of the application or use of any product or circuit, and specifically disclaims any and all liability, including without limitation consequential or incidental damages. "Typical" parameters which may be provided in Motorola data sheets and/or specifications can and do vary in different applications and actual performance may vary over time. All operating parameters, including "Typicals" must be validated for each customer application by customer's technical experts. Motorola does not convey any license under its patent rights nor the rights of others. Motorola products are not designed, intended, or authorized for use as components in systems intended for surgical implant into the body, or other applications intended to support or sustain life, or for any other application in which the failure of the Motorola product could create a situation where personal injury or death may occur. Should Buyer purchase or use Motorola products for any such unintended or unauthorized application, Buyer shall indemnify and hold Motorola and its officers, employees, subsidiaries, affiliates, and distributors harmless against all claims, costs, damages, and expenses, and reasonable attorney fees arising out of, directly or indirectly, any claim of personal injury or death associated with such unintended or unauthorized use, even if such claim alleges that Motorola was negligent regarding the design or manufacture of the part. Motorola and  are registered trademarks of Motorola, Inc. Motorola, Inc. is an Equal Opportunity/Affirmative Action Employer.

**How to reach us:**

**USA/EUROPE/Locations Not Listed:** Motorola Literature Distribution; P.O. Box 20912; Phoenix, Arizona 85036. 1-800-441-2447 or 602-303-5454

**MFAX:** RMFAX0@email.sps.mot.com – TOUCHTONE 602-244-6609  
**INTERNET:** http://Design-NET.com

**JAPAN:** Nippon Motorola Ltd.; Tatsumi-SPD-JLDC, 6F Seibu-Butsuryu-Center, 3-14-2 Tatsumi Koto-Ku, Tokyo 135, Japan. 03-81-3521-8315

**ASIA/PACIFIC:** Motorola Semiconductors H.K. Ltd.; 8B Tai Ping Industrial Park, 51 Ting Kok Road, Tai Po, N.T., Hong Kong. 852-26629298

