

**SANYO**

No. 5008

**STK73903****Self-Excitation Type Feedback Control  
Switching Regulator (180W Output)****Overview**

The STK73903 incorporates on-chip all the power switching, amplifier, overcurrent protection and driver circuits required in a self-excitation type feedback control off-line switching regulator. As a result, it can be used in the design of switching power supplies with minimal number of external components. Furthermore, the adoption of MOSFET power switching elements supports a higher oscillator frequency than that possible with bipolar transistors. This allows smaller pulse transformers and capacitors to be used, making it possible to construct miniature power supply systems.

**Applications**

- CRT/CTV power supplies
- Office automation equipment power supplies

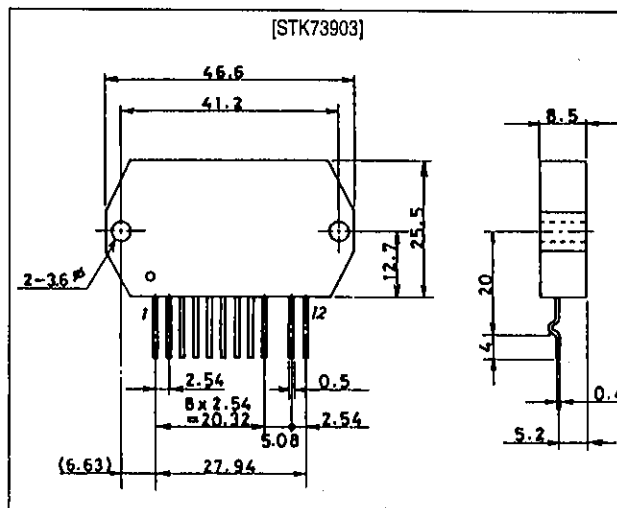
**Features**

- Power MOSFET devices
- Feedback control for high output voltage precision
- Driver circuit on-chip
- Overcurrent protection circuit on-chip
- Pin compatible with all other devices in the same series of devices with 110 to 280W power ratings
- Higher oscillator frequency allows the use of smaller pulse transformers
- IMST substrate acts as an electromagnetic shield, making low-noise designs possible

**Package Dimensions**

unit: mm

4121



**Specifications**

**Maximum Ratings** at Ta = 25°C, Tc = 25°C unless otherwise specified

Parameter	Symbol	Conditions	Ratings	Unit
Operating substrate temperature	Tc max	Recommended value is 105°C.	115	°C
AC input voltage	V <sub>AC</sub>	Specified test circuit	140	V <sub>rms</sub>
Operating temperature	T <sub>opr</sub>		-10 to +85	°C
Storage temperature	T <sub>stg</sub>		-30 to +115	°C
Maximum output power	W <sub>o max</sub>	Specified test circuit, V <sub>O</sub> = 115V	180	W
<b>[TR1]</b>				
Drain current	I <sub>D</sub>	Refer to ASO characteristics for overcurrent condition.	10	A
Pulse drain current	I <sub>D(pulse)</sub>		35	A
Drain reverse current	I <sub>DR</sub>		10	A
Gate-source voltage	V <sub>GSS</sub>		±30	V
Allowable power dissipation	P <sub>D</sub>		100	W
Chip junction temperature	T <sub>J max</sub>		150	°C
<b>[ZD1]</b>				
Allowable power dissipation	P <sub>ZD1</sub>		500	mW
Chip junction temperature	T <sub>J(ZD1) max</sub>		125	°C

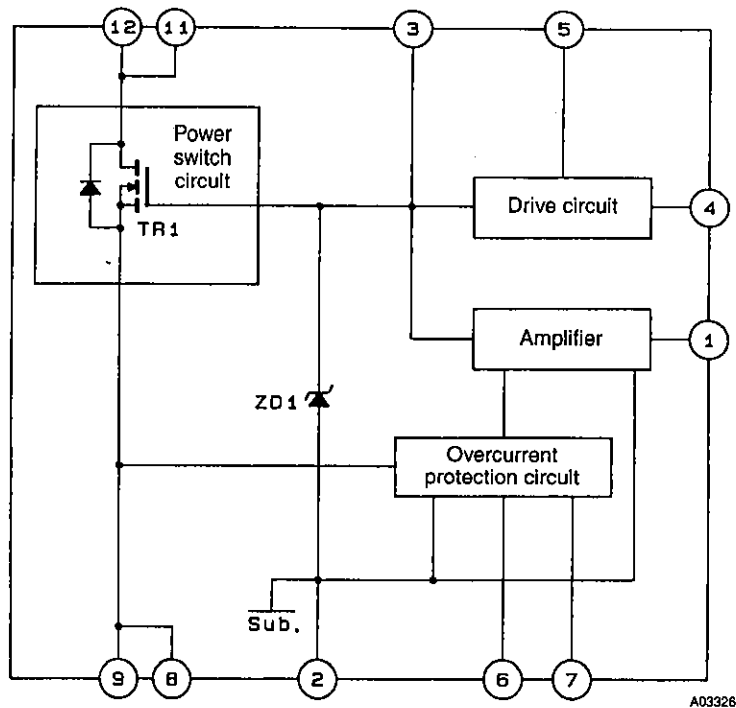
**Recommended Operating Conditions** at Ta = 25°C

Parameter	Symbol	Conditions	Ratings	Unit
Pin 4 input voltage	V <sub>4</sub>		±8 to ±24	V
Oscillator frequency	f <sub>osc</sub>		20 to 100	kHz

**Operating Characteristics** at Ta = 25°C, Tc = 25°C unless otherwise specified, specified test circuit

Parameter	Symbol	Conditions	min	typ	max	Unit
<b>[TR1]</b>						
Drain-source breakdown voltage	V <sub>(BR)DSS</sub>	I <sub>D</sub> = 1mA, V <sub>GS</sub> = 0V	500	-	-	V
Gate threshold voltage	V <sub>GS(th)</sub>	I <sub>D</sub> = 1mA, V <sub>DS</sub> = 10V	2.5	3.5	5.0	V
ON resistance	R <sub>DS(on)</sub>	I <sub>D</sub> = 5A, V <sub>GS</sub> = 10V	-	0.6	0.9	Ω
Input capacitance	C <sub>iss</sub>	V <sub>DS</sub> = 25V, V <sub>GS</sub> = 0V, f = 1MHz	-	1400	-	pF
<b>[ZD1]</b>						
Zener voltage	V <sub>Z</sub>	I <sub>Z</sub> = 5mA	23.7	-	26.3	V

Block Diagram

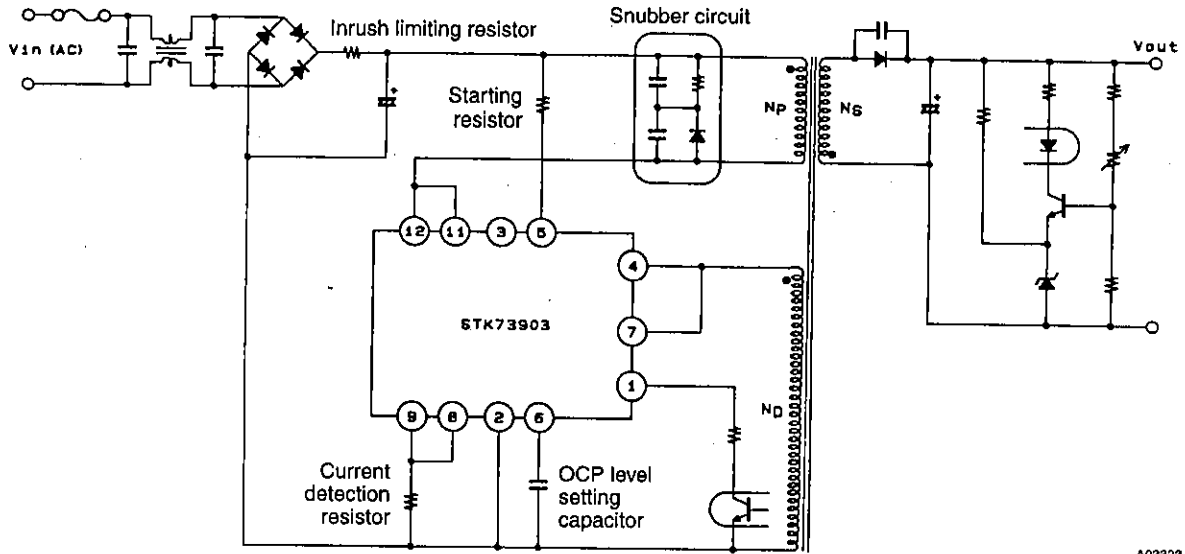


The back surface of the IC is not an insulator, and is effectively at pin 2 potential.

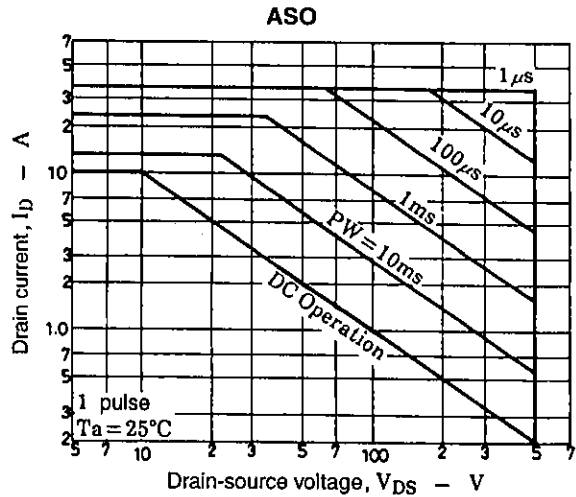
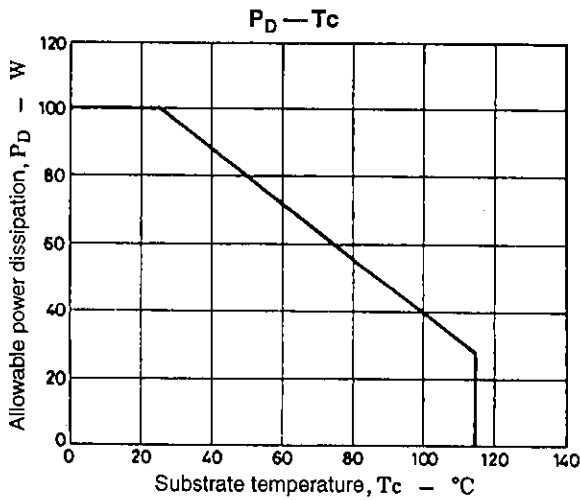
Pin Functions

Pin No.	Function
1	Amplifier circuit control
2	Ground
3	TR1 gate
4	Drive voltage input
5	Starting voltage input
6	OCP setting level input
7	OCP input-voltage dependency detection input
8	TR1 source
9	
11	TR1 drain
12	

Circuit Function Diagram



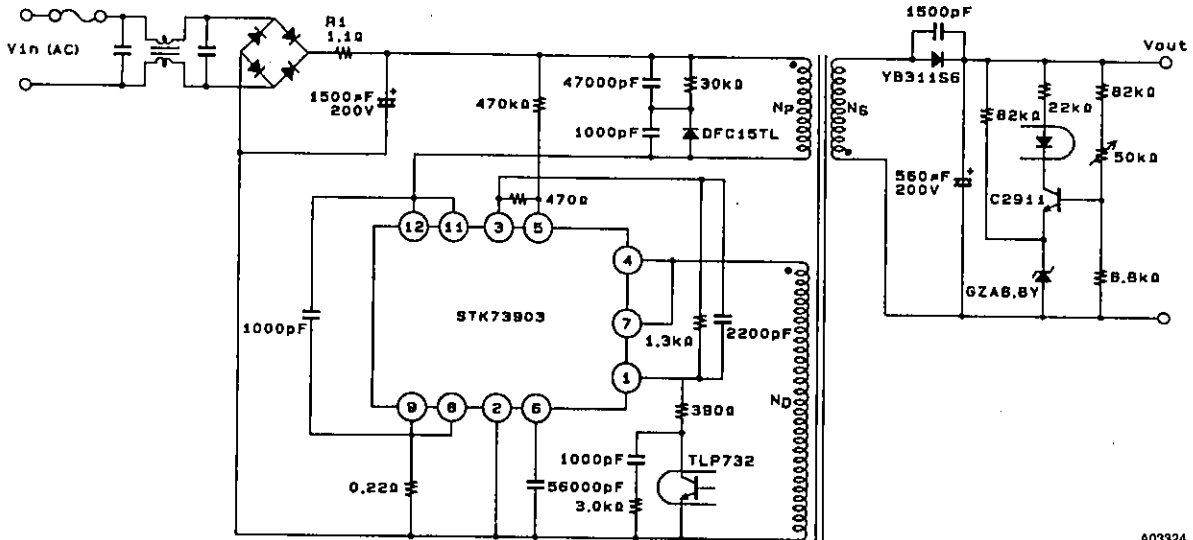
A03323



Sample Application Circuit

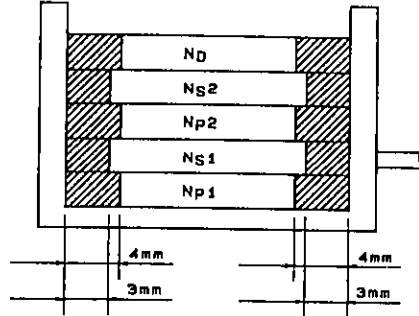
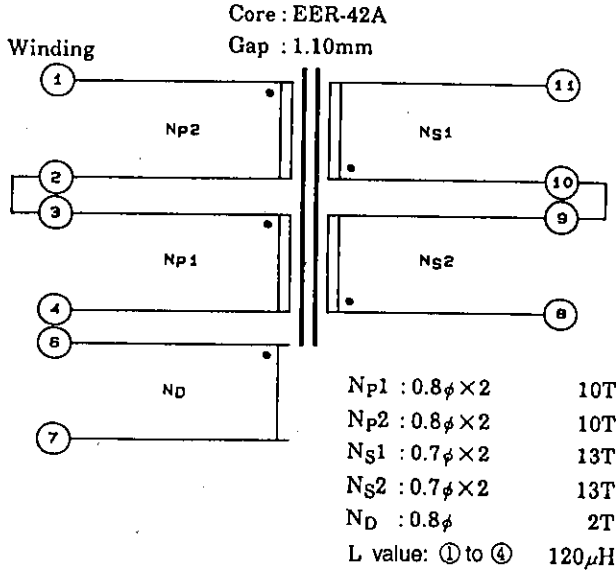
Input voltage: 85 to 132VAC

Output voltage: 115VDC

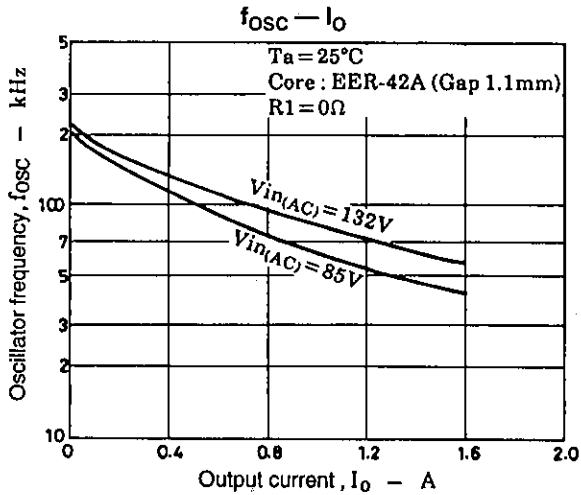
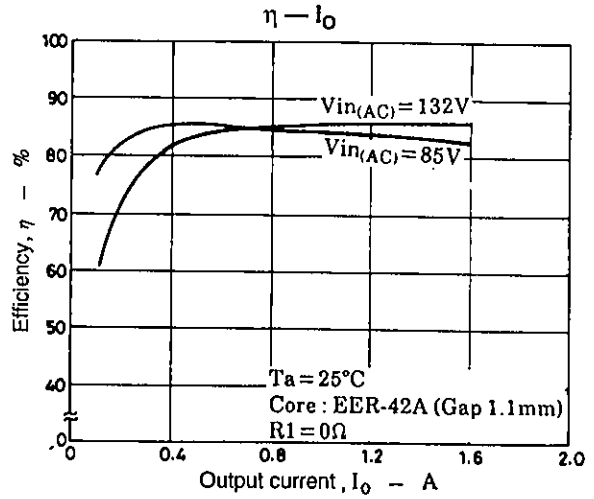
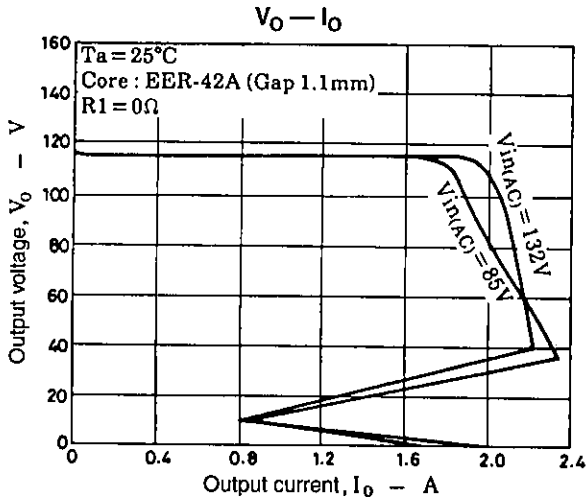


A03324

Pulse Transformer Specifications



A03325



## Series Organization

These devices form a series with varying output power ratings.

Type No.	Maximum ratings				Operating characteristics			
	V <sub>DSS</sub> [V]	T <sub>stg</sub> [°C]	T <sub>c max</sub> [°C]	T <sub>j max</sub> [°C]	I <sub>D</sub> [A]	Input voltage [V]	Output power [W]	ON resistance [Ω]
STK73902	500	-30 to +115	+115	+150	6.0	85 to 132	110	1.4
STK73903					10.0		180	0.6
STK73904					12.0		210	0.55
STK73905					15.0		280	0.3
STK73906					3.0		170 to 264	110
STK73907	5.0	180	3.0					
STK73908	6.0	210	2.0					
STK73909	8.0	280	1.2					

- No products described or contained herein are intended for use in surgical implants, life-support systems, aerospace equipment, nuclear power control systems, vehicles, disaster/crime-prevention equipment and the like, the failure of which may directly or indirectly cause injury, death or property loss.
- Anyone purchasing any products described or contained herein for an above-mentioned use shall:
  - ① Accept full responsibility and indemnify and defend SANYO ELECTRIC CO., LTD., its affiliates, subsidiaries and distributors and all their officers and employees, jointly and severally, against any and all claims and litigation and all damages, cost and expenses associated with such use:
  - ② Not impose any responsibility for any fault or negligence which may be cited in any such claim or litigation on SANYO ELECTRIC CO., LTD., its affiliates, subsidiaries and distributors or any of their officers and employees, jointly or severally.
- Information (including circuit diagrams and circuit parameters) herein is for example only; it is not guaranteed for volume production. SANYO believes information herein is accurate and reliable, but no guarantees are made or implied regarding its use or any infringements of intellectual property rights or other rights of third parties.

This catalog provides information as of June, 1995. Specifications and information herein are subject to change without notice.