

HIGH-PERFORMANCE PRODUCTS

Description

The SK10E/100E131 is a Quad master-slave D-type flip-flop with differential outputs. Each flip-flop may be clocked separately by holding Common Clock (CC) LOW and using the Clock Enable (CE*) inputs for clocking. Common clocking is achieved by holding the CE inputs LOW and using CC to clock all four flip-flops. In this case, the CE* inputs perform the function of controlling the common clock to each flip-flop.

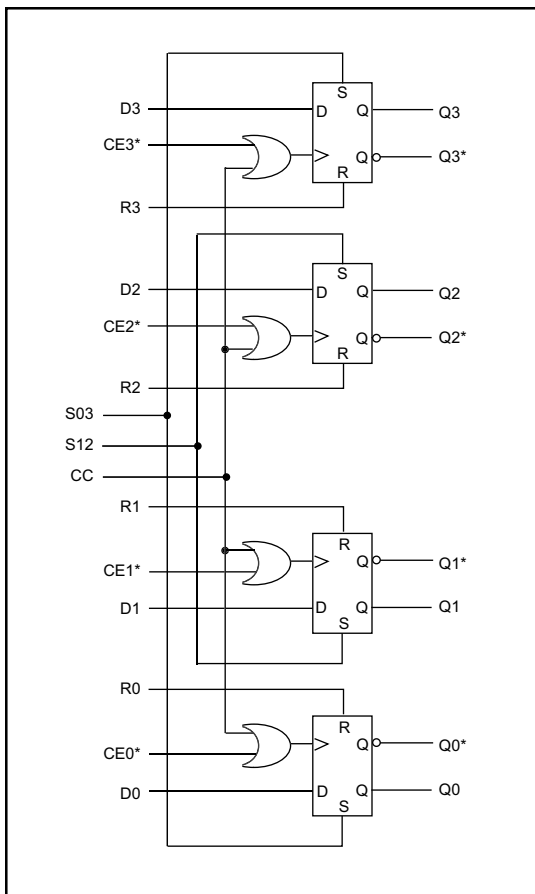
Individual asynchronous resets are provided (R). Asynchronous set controls (S) are ganged together in pairs, with the pairing chosen to reflect physical chip symmetry.

Data enters the master when both CC and CE* are LOW, and transfers to the slave when either CC or CE (or both) go HIGH.

Features

- 1100 MHz Minimum Toggle Frequency
- Differential Outputs
- Individual and Common Clocks
- Individual Resets (asynchronous)
- Paired Sets (asynchronous)
- Extended 100E VEE Range of -4.2V to -5.5V
- 75KΩ Internal Input Pulldown Resistors
- Fully Compatible with MC10E131 and MC100E131
- Specified Over Industrial Temperature Range: -40°C to 85°C
- ESD Protection of >4000V
- Available in 28-pin PLCC Package

Functional Block Diagram

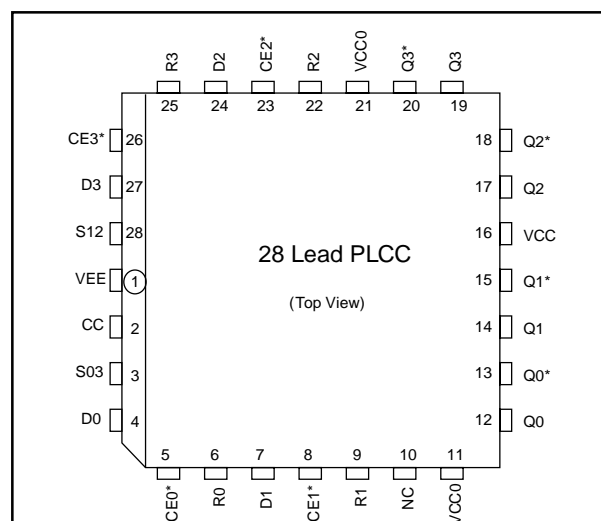


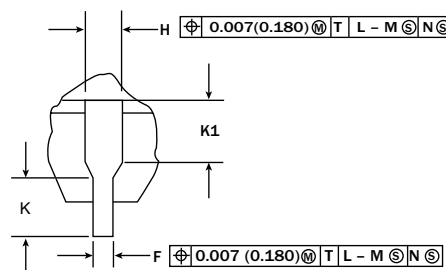
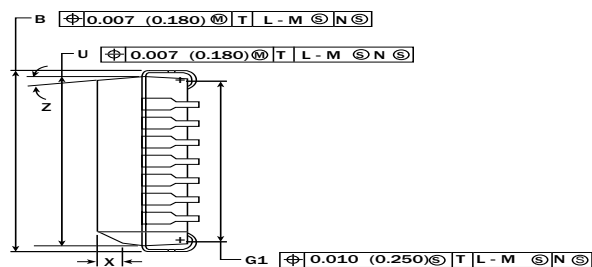
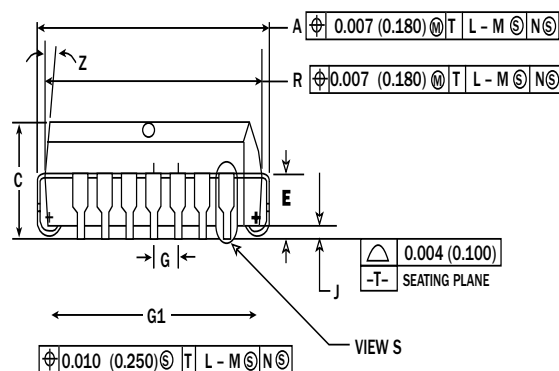
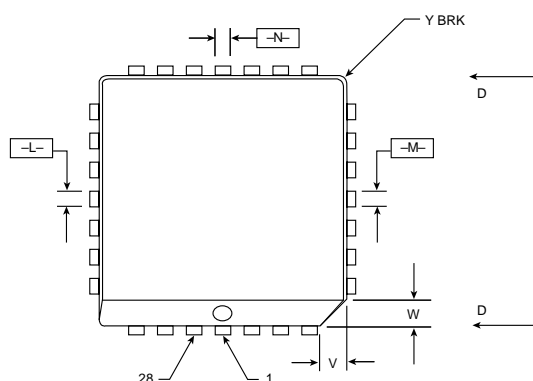
PIN Description

Pin Names

Pin	Function
D0 - D3	Data Inputs
CE0* - CE3*	Clock Enables (individual)
R0 - R3	Resets
CC	Common Clock
S03, S12	Sets (paired)
Q0 - Q3	True Outputs
Q0* - Q3*	Inverting Outputs

Pinout



HIGH-PERFORMANCE PRODUCTS
Package Information


View S

NOTES:

1. Datums -L-, -M-, and -N- determined where top of lead shoulder exits plastic body at mold parting line.
2. DIM G1, true position to be measured at Datum -T-, Seating Plane.
3. DIM R and U do not include mold flash. Allowable mold flash is 0.010 (0.250) per side.
4. Dimensioning and tolerances per ANSI Y14.5M, 1982.
5. Controlling Dimension: Inch.
6. The package top may be smaller than the package bottom by up to 0.012 (0.300). Dimensions R and U are determined at the outermost extremes of the plastic body exclusive of mold flash, tie bar burrs, gate burrs and interlead flash, but including any mismatch between the top and bottom of the plastic body.
7. Dimension H does not include Dambar protrusion or intrusion. The Dambar protrusion(s) shall not cause the H dimension to be greater than 0.037 (0.940). The Dambar intrusion(s) shall not cause the H dimension to be smaller than 0.025 (0.635).

DIM	INCHES		MILLIMETERS	
	MIN	MAX	MIN	MAX
A	0.485	0.495	12.32	12.57
B	0.485	0.495	12.32	12.57
C	0.165	0.180	4.20	4.57
E	0.090	0.110	2.29	2.79
F	0.013	0.019	0.33	0.48
G	0.050	BSC	1.27	BSC
H	0.026	0.032	0.66	0.81
J	0.020	-	0.51	-
K	0.025	-	0.64	-
R	0.450	0.456	11.43	11.58
U	0.450	0.456	11.43	11.58
V	0.042	0.048	1.07	1.21
W	0.042	0.048	1.07	1.21
X	0.042	0.056	1.07	1.42
Y	-	0.020	-	0.50
Z	2°	10°	2°	10°
G1	0.410	0.430	10.42	10.92
K1	0.040	-	1.02	-

HIGH-PERFORMANCE PRODUCTS
DC Characteristics
SK10/100E131 DC Electrical Characteristics (Notes 1, 2)

 (V_{CC} – V_{EE} = 4.2V to 5.5V; V_{OUT} Loaded 50Ω to V_{CC} – 2.0V)

Symbol	Characteristic	TA = –40°C			TA = 0°C			TA = +25°C			TA = +85°C			Unit
		Min	Typ	Max	Min	Typ	Max	Min	Typ	Max	Min	Typ	Max	
I _{IH}	Input HIGH Current													
	CC			350			350			350			350	μA
	S			450			450			450			450	μA
	R, CE			300			300			300			300	μA
	D			150			150			150			150	μA
I _{EE}	Power Supply Current													
	10E	31		52	33		54	33		55	35		57	mA
	100E	34		56	36		60	38		62	42		68	mA

AC Characteristics
SK10/100E131 AC Electrical Characteristics

 (V_{CC} – V_{EE} = 4.2V to 5.5V; V_{OUT} Loaded 50Ω to V_{CC} – 2.0V)

Symbol	Characteristic	TA = –40°C			TA = 0°C			TA = +25°C			TA = +85°C			Unit
		Min	Typ	Max	Min	Typ	Max	Min	Typ	Max	Min	Typ	Max	
f _{MAX}	Max. Toggle Frequency	1000	1400		1100	1400		1100	1400		1100	1400		MHz
t _{PLH} t _{PHL}	Propagation Delay to Output													
	CE	415		618	425		614	432		604	452		581	ps
	CC	275		725	325		675	325		675	325		675	ps
	R	445		693	454		684	460		673	477		650	ps
	S	533		744	543		746	550		636	571		715	ps
t _s	Setup Time													
	D	200	20		150	20		150	20		150	20		ps
t _H	Hold Time													
	D	225	-20		175	-20		175	-20		175	-20		ps
t _{RR}	Reset Recovery Time	450	150		400	150		400	150		400	150		ps
t _{PW}	Minimum Pulse Width													
	CLK	400			400			400			400			ps
	R, S	400			400			400			400			ps
t _{SKREW}	Within Device Skew ³		60			60			60			60		ps
t _r / t _f	Rise/Fall Times													
	10E	217		325	222		340	225		345	230		365	ps
	100E	369		590	345		575	317		525	253		407	ps

HIGH-PERFORMANCE PRODUCTS**AC Information (continued)***Notes:*

1. 10E circuits are designed to meet the DC specifications shown in the table after thermal equilibrium has been established. The circuit is in a test socket or mounted on a printed circuit board and transverse airflow greater than 500 lfpm is maintained.
2. The same DC parameter values apply across the full VEE range of -4.2 to -5.5V. 100E circuits are designed to meet the DC specifications shown in the table where transverse airflow greater than 500 lfpm is maintained.
3. Within device skew is defined as identical transitions on similar paths through a device.
4. For standard ECL DC Specifications, refer to the ECL Logic Family Standard DC Data Sheet.
5. For part ordering description, see HPP Part Ordering Information Data Sheet.

Ordering Information

Ordering Code	Package ID	Temperature Range
SK10E131PJ	28-PLCC	Industrial
SK10E131PJT	28-PLCC	Industrial
SK100E131PJ	28-PLCC	Industrial
SK100E131PJT	28-PLCC	Industrial

Contact Information

Division Headquarters
10021 Willow Creek Road
San Diego, CA 92131
Phone: (858) 695-1808
FAX: (858) 695-2633

Semtech Corporation
High-Performance Products Division

Marketing Group
1111 Comstock Street
Santa Clara, CA 95054
Phone: (408) 566-8776
FAX: (408) 727-8994