

TOSHIBA MOS TYPE INTEGRATED CIRCUIT GaAs MONOLITHIC

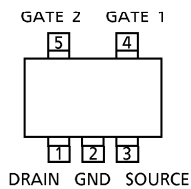
TG2000F

TV TUNER, UHF RF AMPLIFIER APPLICATIONS.

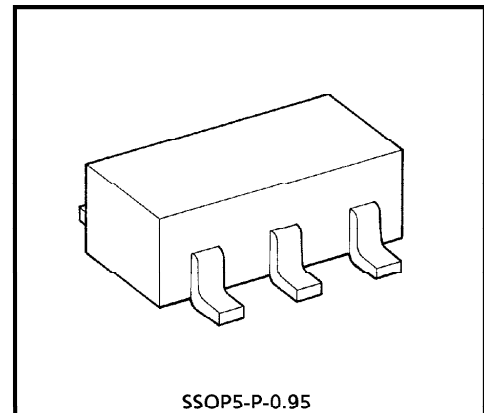
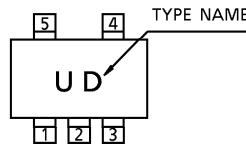
FEATURES

- On account of this Device build in Bias Circuit, Cut down number of articles.
- Low Noise Figure. : NF = 1.5dB (Typ.)
- Operating Voltage. : $V_{DD} = 4\sim 5V$

PIN ASSIGNMENT (TOP VIEW)



MARKING



SSOP5-P-0.95
Weight : 0.014g (Typ.)

MAXIMUM RATING (Ta = 25°C)

CHARACTERISTIC	SYMBOL	RATING	UNIT
Supply Voltage	V_{DD}	6	V
Gate 2-Drain Voltage	V_{G2DO}	-6	V
Gate 2-Source Voltage	V_{G2S}	-4	V
Gate 2 Current	I_{G2}	1	mA
Drain Power Dissipation	P_D	150	mW
Operating Temperature Range	T_{opr}	-40~85	°C
Storage Temperature Range	T_{stg}	-55~125	°C

ELECTRICAL CHARACTERISTICS (Ta = 25°C)

CHARACTERISTIC	SYMBOL	TEST CIRCUIT	TEST CONDITION	MIN.	TYP.	MAX.	UNIT
Gate 2 Leakage Current	I_{G2SS}	—	$V_{DS} = 0, V_{G1S} = 0, V_{G2S} = -3V$	—	—	-4	μA
Drain Current	I_{DSS}	—	$V_{DS} = 2V, V_{G1S} = 0, V_{G2S} = 0$	4	—	16	mA
Gate 2-Source Cut-off Voltage	$V_{G2S} (OFF)$	—	$V_{DS} = 2V, V_{G1S} = 0$ $I_D = 100\mu A$	-0.75	—	-1.3	V
Forward Transfer Admittance	$ Y_{fs} $	—	$V_{DS} = 2V, V_{G2S} = 0.5V$ $I_D = 2mA, f = 1kHz$	—	12	—	mS
Drain Current	I_{DD}	1	$V_{DD} = 4.5V, V_{G2} = 2.5V$ $R = 390\Omega$	—	11	—	mA
Power Gain	G_{ps}	2	$V_{DD} = 4.5V, V_{G2} = 2.5V$ $f = 800MHz, R = 390\Omega$	15	19	—	dB
Noise Figure	NF			—	1.5	2.5	dB

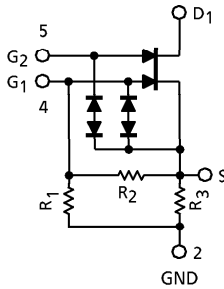
961001EBA2

● TOSHIBA is continually working to improve the quality and the reliability of its products. Nevertheless, semiconductor devices in general can malfunction or fail due to their inherent electrical sensitivity and vulnerability to physical stress. It is the responsibility of the buyer, when utilizing TOSHIBA products, to observe standards of safety, and to avoid situations in which a malfunction or failure of a TOSHIBA product could cause loss of human life, bodily injury or damage to property. In developing your designs, please ensure that TOSHIBA products are used within specified operating ranges as set forth in the most recent products specifications. Also, please keep in mind the precautions and conditions set forth in the TOSHIBA Semiconductor Reliability Handbook.

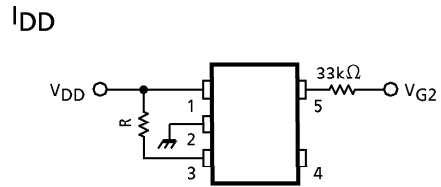
CAUTION

GaAs (Gallium Arsenide) is used in this product. The dust or vapor can be dangerous to humans. Do not break, cut, crush or dissolve chemically. Dispose of this product properly according to law. Do not intermingle with normal industrial or domestic waste. This device is electrostatic sensitivity. Please handle with caution.

EQUIVALENT CIRCUIT

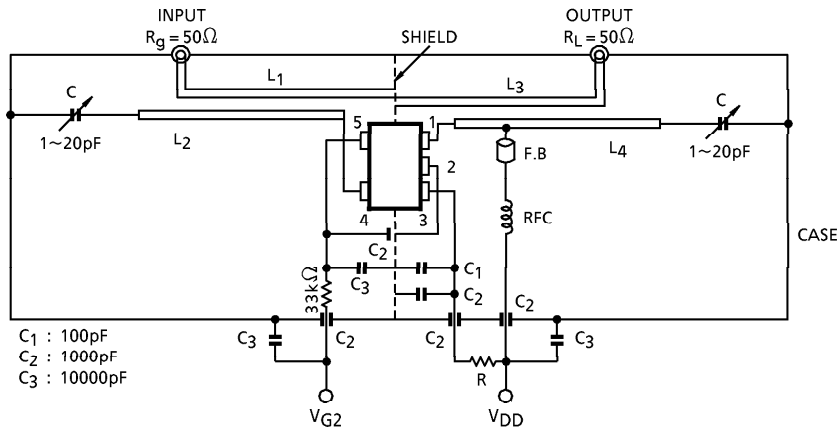


TEST CIRCUIT 1



TEST CIRCUIT 2

800MHz G_{ps} , NF

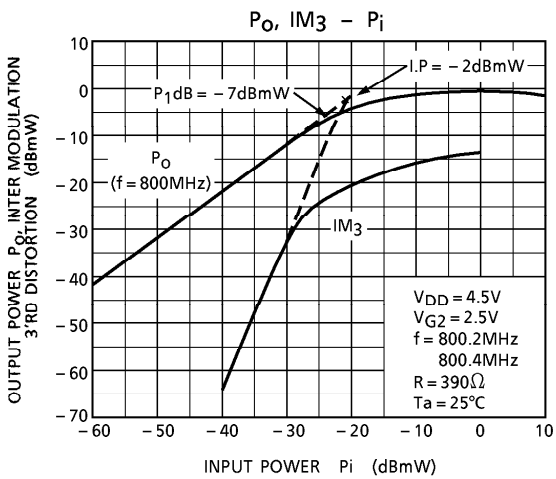
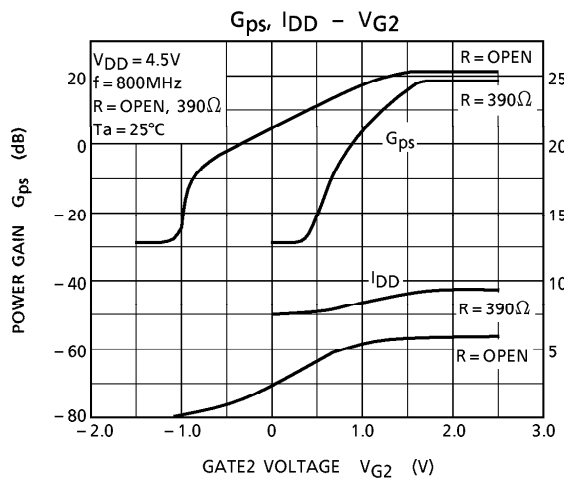
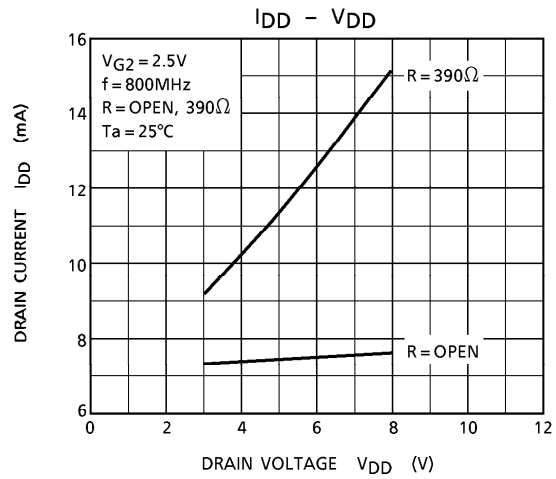
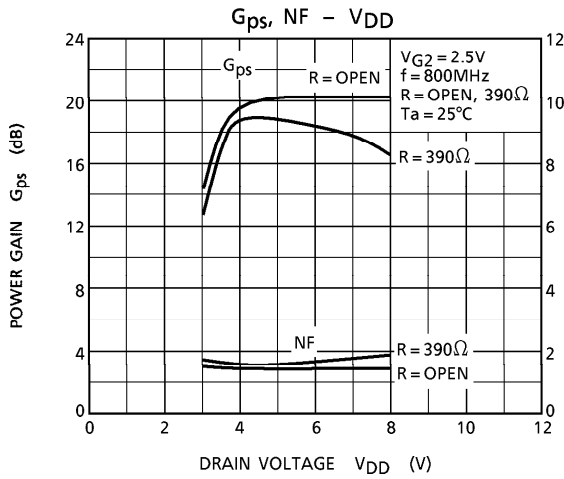
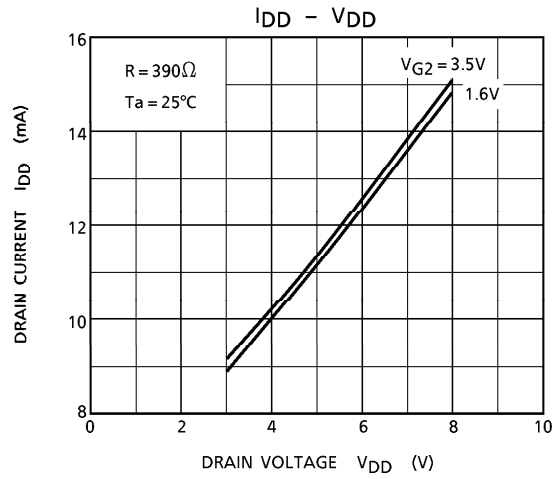
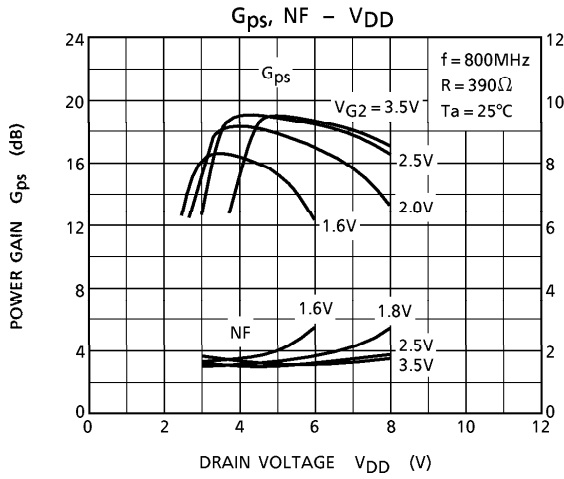


C1 : 100pF
 C2 : 1000pF
 C3 : 10000pF

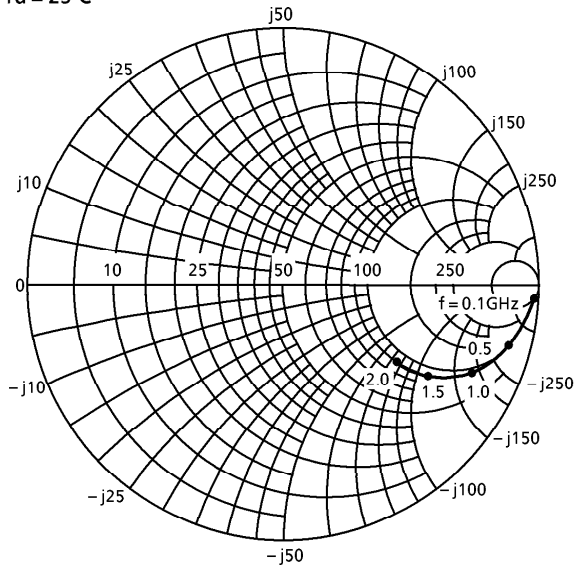
L1~L4 : ϕ 0.8mm SILVER PLATED COPPER WIRE
 C : AIR TRIMMER TTA25A200A (MURATA MFG. Co., LTD.)
 RFC : ϕ 0.35mm COPPER WIRE 3mm ID, 10T

961001EBA2'

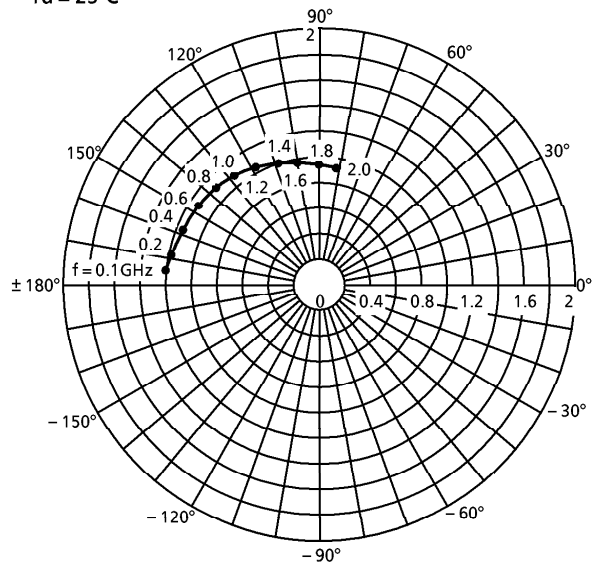
- The products described in this document are subject to foreign exchange and foreign trade control laws.
- The information contained herein is presented only as a guide for the applications of our products. No responsibility is assumed by TOSHIBA CORPORATION for any infringements of intellectual property or other rights of the third parties which may result from its use. No license is granted by implication or otherwise under any intellectual property or other rights of TOSHIBA CORPORATION or others.
- The information contained herein is subject to change without notice.



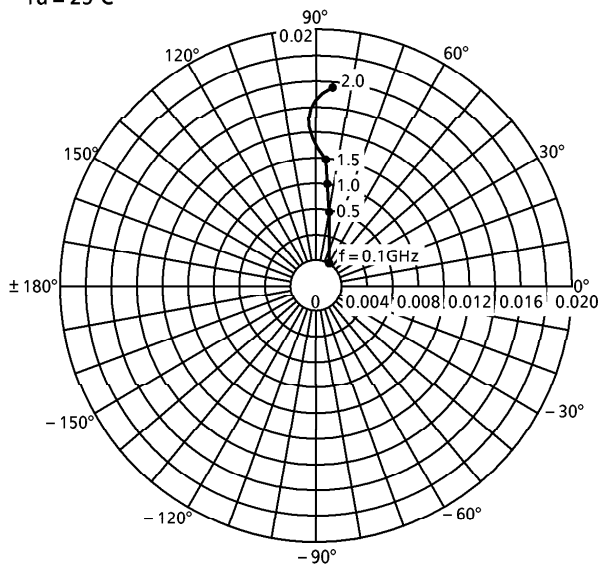
S11
 V_{DD} = 4.5V
 V_{G2} = 2.5V
 f = 800MHz
 R = 390Ω
 T_a = 25°C



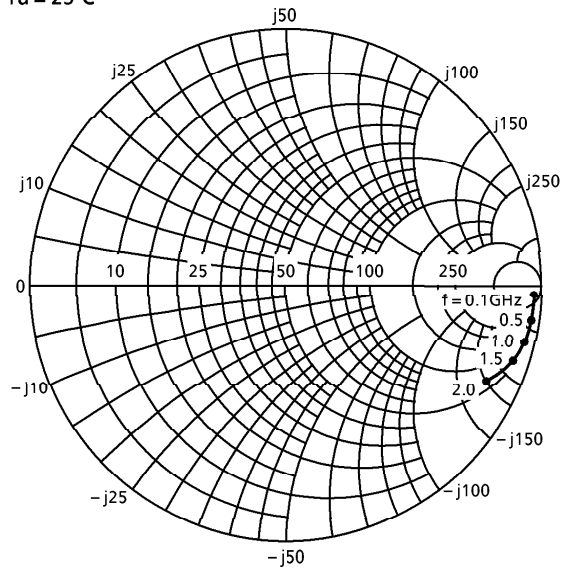
S21
 V_{DD} = 4.5V
 V_{G2} = 2.5V
 f = 800MHz
 R = 390Ω
 T_a = 25°C



S12
 V_{DD} = 4.5V
 V_{G2} = 2.5V
 f = 800MHz
 R = 390Ω
 T_a = 25°C

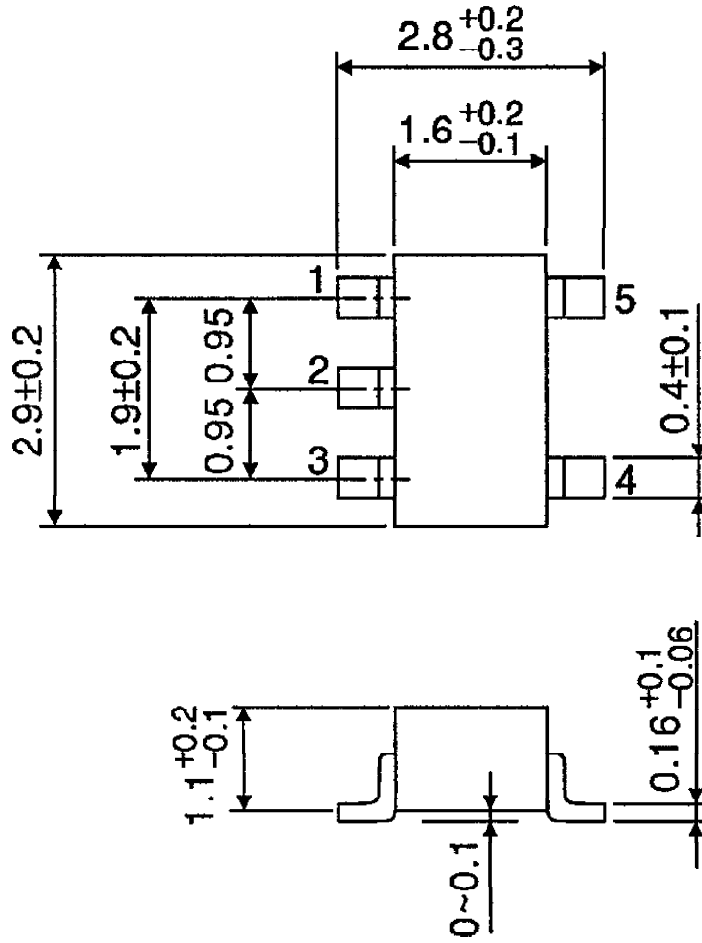


S22
 V_{DD} = 4.5V
 V_{G2} = 2.5V
 f = 800MHz
 R = 390Ω
 T_a = 25°C



OUTLINE DRAWING
SSOP5-P-0.95

Unit : mm



Weight : 0.014g (Typ.)