



Micro Commercial Components
 21201 Itasca Street Chatsworth
 CA 91311
 Phone: (818) 701-4933
 Fax: (818) 701-4939

BCW68H

PNP Small Signal Transistor 330mW

Features

- Ideally Suited for Automatic Insertion
- 150°C Junction Temperature
- Low Current, Low Frequency
- Epitaxial Planar Die Construction

Mechanical Data

- Case: SOT-23, Molded Plastic
- Terminals: Solderable per MIL-STD-202, Method 208
- Marking: DH
- Weight: 0.008 grams (approx.)

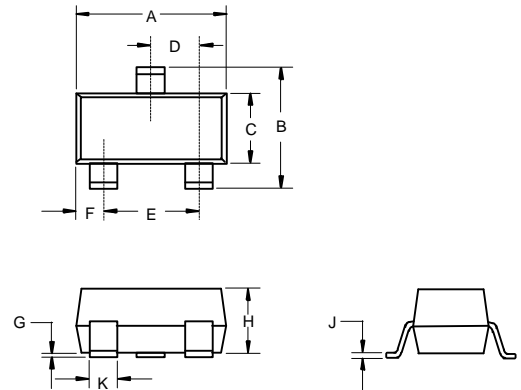
Maximum Ratings @ 25°C Unless Otherwise Specified

Charateristic	Symbol	Value	Unit
Collector-Emitter Voltage	V_{CEO}	-45	V
Collector-Base Voltage	V_{CBO}	-60	V
Emitter-Base Voltage	V_{EBO}	-5	V
Collector Current(DC)	I_C	-800	mA
Peak Collector Current	I_{CM}	-1000	mA
Base Current(DC)	I_B	-100	mA
Peak Base Current	I_{BM}	-200	mA
Power Dissipation@ $T_s=79^\circ\text{C}$	P_d	330	mW
Thermal Resistance, Junction to Ambient Air	$R_{\theta JA}$	285 ⁽¹⁾	°C/W
Thermal Resistance, Junction to Soldering Point	$R_{\theta JS}$	215	°C/W
Operating & Storage Temperature	T_j, T_{STG}	-55~150	°C

Notes:

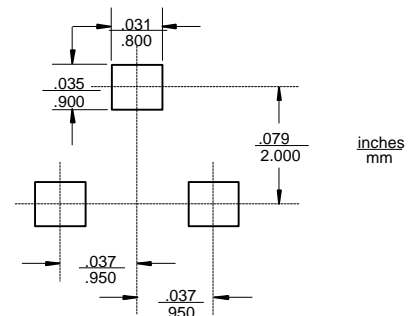
- (1) Valid provided that leads are kept at ambient temperature.

SOT-23



DIM	INCHES		MM		NOTE
	MIN	MAX	MIN	MAX	
A	.110	.120	2.80	3.04	
B	.083	.098	2.10	2.64	
C	.047	.055	1.20	1.40	
D	.035	.041	.89	1.03	
E	.070	.081	1.78	2.05	
F	.018	.024	.45	.60	
G	.0005	.0039	.013	.100	
H	.035	.044	.89	1.12	
J	.003	.007	.085	.180	
K	.015	.020	.37	.51	

Suggested Solder Pad Layout



BCW68H

Electrical Characteristics (T_A = 25°C unless otherwise noted)

	Symbol	Min.	TYP.	Max.	Unit
DC Current Gain ⁽¹⁾					
at V _{CE} = 1V, I _C = 10mA	h _{FE}	180			
at V _{CE} = 2V, I _C = 100mA	h _{FE}	250		630	
at V _{CE} = 2V, I _C = 500mA	h _{FE}	100			
Collector-Emitter Saturation Voltage ⁽¹⁾					
at I _C = 100mA, I _B = 10mA	V _{CEsat}	–	–	0.3	V
at I _C = 500mA, I _B = 50mA	V _{CEsat}	–	–	1.0	V
Base-Emitter Saturation Voltage ⁽¹⁾					
at I _C = 100mA, I _B = 10mA	V _{BEsat}	–	–	1.25	V
at I _C = 500mA, I _B = 50mA	V _{BEsat}	–	–	2	V
Collector-Emitter Breakdown Voltage					
at I _C = 10mA, I _B = 0	V _{(BR)CEO}	45	–	–	V
Collector-Base Breakdown Voltage					
at I _C = 10μA, I _B = 0	V _{(BR)CBO}	60	–	–	V
Emitter-Base Breakdown Voltage					
at I _E = 10μA, at I _C = 0	V _{(BR)EBO}	5	–	–	V
Collector-Base Cut-off Current					
at V _{CB} = 45V, I _E = 0	I _{CBO}	–	–	20	nA
at V _{CB} = 45V, I _E = 0, T _A = 150°C	I _{CBO}	–	–	20	μA
Emitter-Base Cut-off Current					
at V _{EB} = 4V, I _C = 0	I _{EBO}	–	–	20	nA
Gain-Bandwidth Product					
at V _{CE} = 10V, I _C = 20mA, f = 100MHz	f _T	–	100	–	MHz
Collector-Base Capacitance					
at V _{CB} = 10V, f = 1MHz	C _{CB}	–	6	–	pF
Emitter-Base Capacitance					
at V _{EB} = 0.5V, f = 1MHz	C _{EB}	–	60	–	pF

Note: (1) Pulse test: t ≤ 300μs, D = 2%