

DATA SHEET

SA576

Low power compandor

Product specification

1997 Aug 14

IC17 Data Handbook

Low power compandor

SA576

DESCRIPTION

The SA576 is a unity gain level programmable compandor designed for low power applications. The SA576 is internally configured as an expander and a compressor to minimize external component count.

The SA576 can operate at 1.8V. During normal operations, the SA576 can operate from at least a 2V battery. If the battery voltage drops to 1.8V, this part will still continue to function, however, turning on the part at a V_{CC} of 1.8V requires two external resistors to bring V_{REF} to half V_{CC} . One resistor connects between V_{CC} and V_{REF} ; the other connects from V_{REF} to ground. A typical value for these external resistors is approximately 20k. A lower value can be used, but the power consumption will go up.

The SA576 is available in a 14-pin plastic DIP and SO packages.

FEATURES

- Operating voltage range: 1.8V to 7V
- Low power consumption
(1.4mA @ 3.6V)
- Over 80dB of dynamic range
- Wide input/output swing capability
(rail-to-rail)
- Low external component count
- ESD hardened

PIN CONFIGURATION

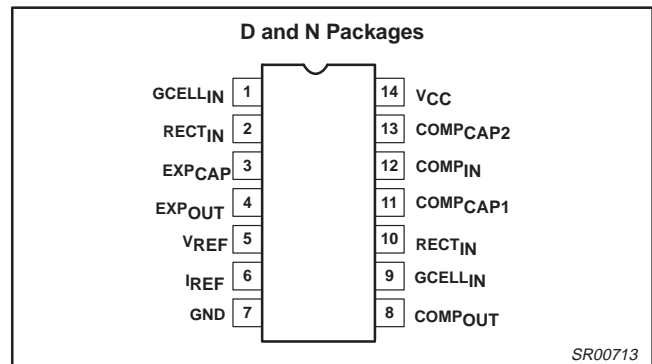


Figure 1. Pin Configuration

APPLICATIONS

- Cordless telephone
- Consumer audio
- Wireless microphones
- Modems
- Electric organs
- Hearing aids
- Automatic level control

ORDERING INFORMATION

DESCRIPTION	TEMPERATURE RANGE	ORDER CODE	DWG #
14-Pin Plastic Dual In-Line Package (DIP)	-40 to +85°C	SA576N	SOT27-1
14-Pin Plastic Small Outline (SO)	-40 to +85°C	SA576D	SOT108-1

ABSOLUTE MAXIMUM RATINGS

SYMBOL	PARAMETER	RATING	UNITS
		SA576	
V_{CC}	Supply voltage	8	V
T_A	Operating ambient temperature range	-40 to +85	°C
T_{STG}	Storage temperature range	-65 to +150	°C
θ_{JA}	Thermal impedance	DIP	90
		SO	125
			°C/W
			°C/W

Low power compandor

SA576

BLOCK DIAGRAM and TEST AND APPLICATION CIRCUIT

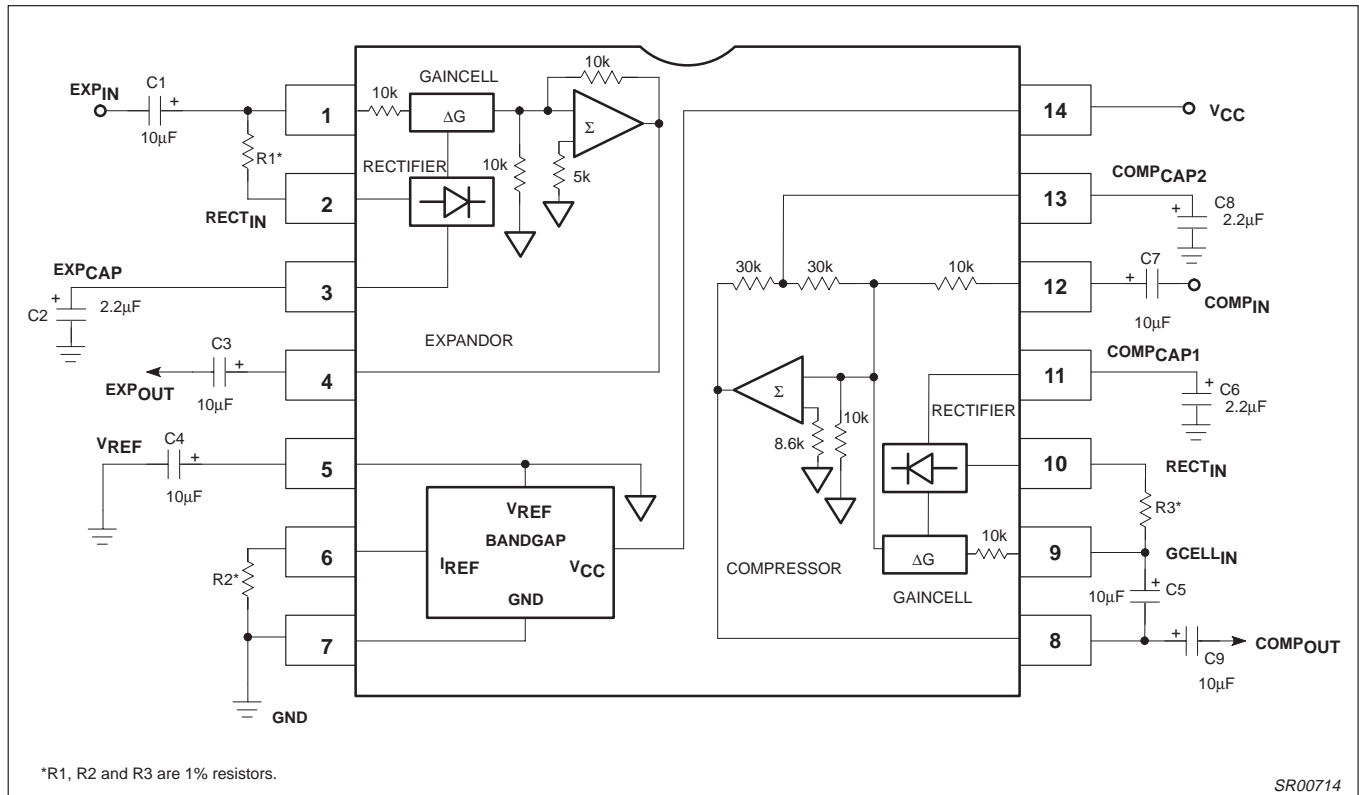


Figure 2. Block Diagram and Test and Application Circuit

ELECTRICAL CHARACTERISTICS

T_A = 25°C, V_{CC} = 3.6VDC, compandor 0dB level = -20dBV = 100mV_{RMS}, output load R_L = 10kΩ, Freq = 1kHz, unless otherwise specified. R1, R2 and R3 are 1% resistors.

SYMBOL	PARAMETER	TEST CONDITIONS	LIMITS			UNITS
			SA576			
			MIN	TYP	MAX	
V _{CC}	Supply voltage ¹		2	3.6	7	V
I _{CC}	Supply current	No signal R ₂ = 100kΩ		1.4	3	mA
V _{REF}	Reference voltage ²	V _{CC} = 3.6V		1.8		V
R _L	Summing amp output load		10			kΩ
THD	Total harmonic distortion	1kHz, 0dB, BW = 3.5kHz		0.25	1.5	%
E _{NO}	Expander output noise voltage	BW = 20kHz, R _S = 0Ω		10	30	μV
0dB	Unity gain level	0dB at 1kHz	-1.5	0.18	1.5	dB
V _{OS}	Output voltage offset	No signal	-150	1	150	mV
	Expander output DC shift	No signal to 0dB	-100	7	100	mV
	Tracking error relative to 0dB output	-20dB expander	-1.0	0.3	1.0	dB
	Crosstalk, COMP to EXP	1kHz, 0dB, C _{REF} = 10μF		-80		dB
V _O	Output swing low			0.2		V
	Output swing high			V _{CC} - 0.2		

NOTE:

1. Operation down to V_{CC} = 1.8V is possible, see description on front page of SA576 data sheet.
2. Reference voltage, V_{REF}, is typically at 1/2 V_{CC}.

Low power compandor

SA576

TYPICAL PERFORMANCE CHARACTERISTICS

$V_{CC} = 3.6V$, $T_A = 25^\circ C$, $R_1=R_3=7.15k\Omega$, $R_2=100k\Omega$, 0dB level = 100mV, Freq. = 1kHz

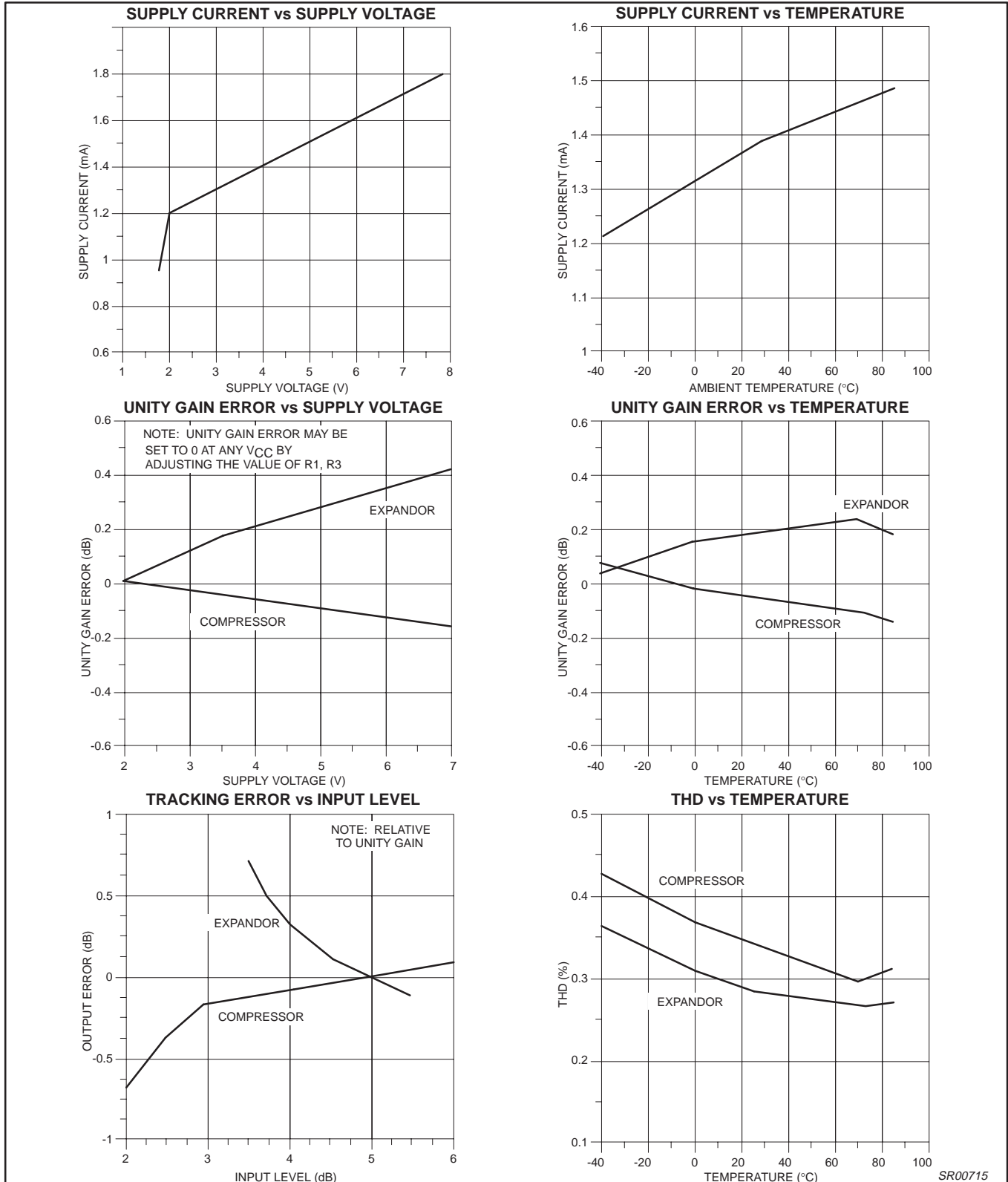


Figure 3. Typical Performance Characteristics

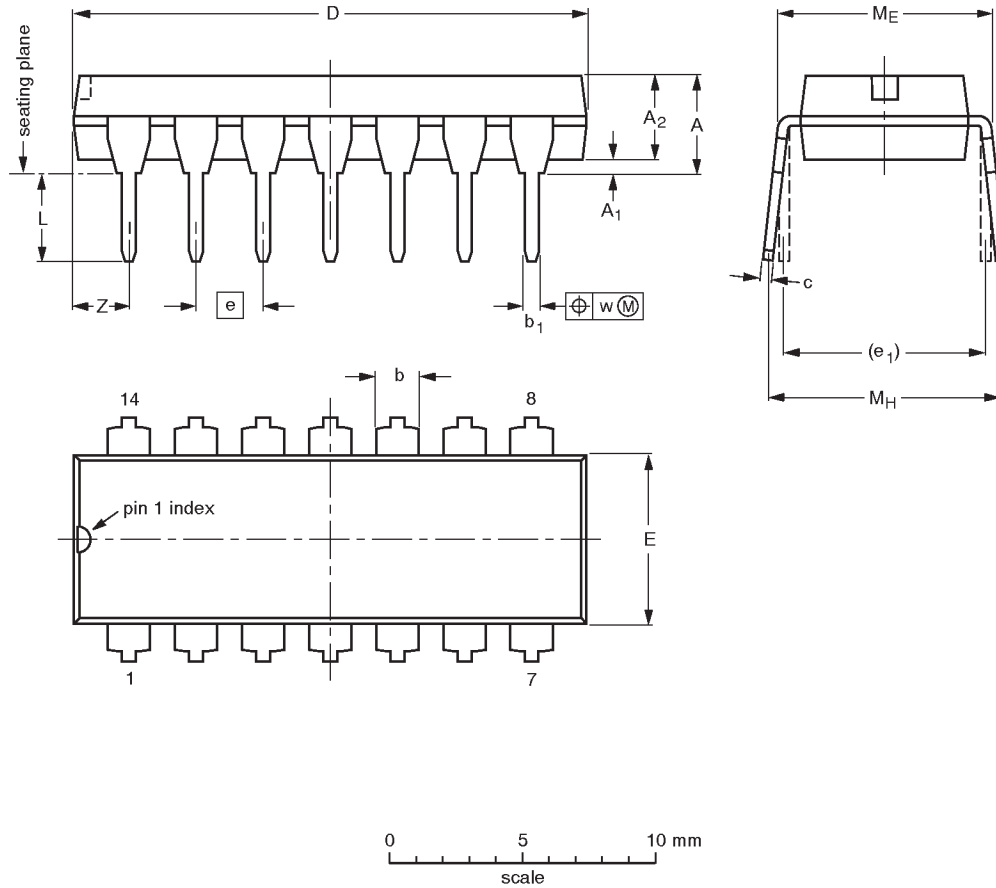
SR00715

Low power compandor

SA576

DIP14: plastic dual in-line package; 14 leads (300 mil)

SOT27-1



DIMENSIONS (inch dimensions are derived from the original mm dimensions)

UNIT	A max.	A ₁ min.	A ₂ max.	b	b ₁	c	D ⁽¹⁾	E ⁽¹⁾	e	e ₁	L	M _E	M _H	w	Z ⁽¹⁾ max.
mm	4.2	0.51	3.2	1.73 1.13	0.53 0.38	0.36 0.23	19.50 18.55	6.48 6.20	2.54	7.62	3.60 3.05	8.25 7.80	10.0 8.3	0.254	2.2
inches	0.17	0.020	0.13	0.068 0.044	0.021 0.015	0.014 0.009	0.77 0.73	0.26 0.24	0.10	0.30	0.14 0.12	0.32 0.31	0.39 0.33	0.01	0.087

Note

1. Plastic or metal protrusions of 0.25 mm maximum per side are not included.

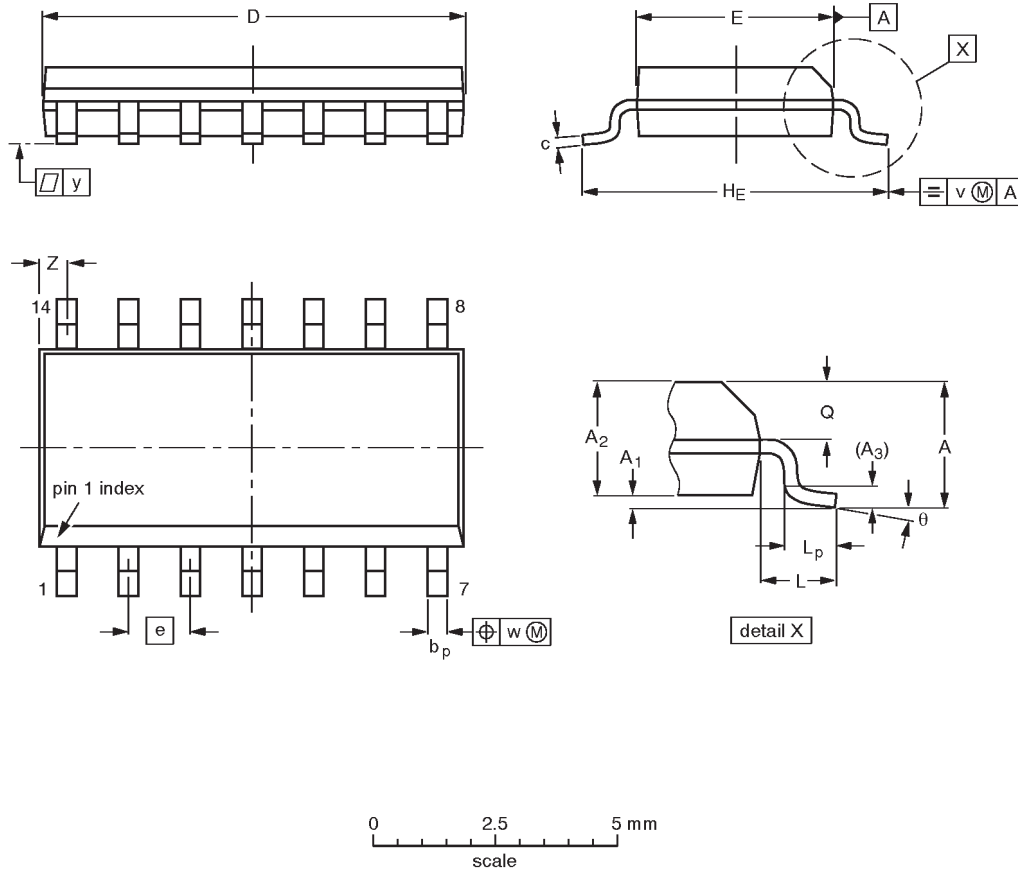
OUTLINE VERSION	REFERENCES			EUROPEAN PROJECTION	ISSUE DATE
	IEC	JEDEC	EIAJ		
SOT27-1	050G04	MO-001AA			92-11-17 95-03-11

Low power compandor

SA576

SO14: plastic small outline package; 14 leads; body width 3.9 mm

SOT108-1



DIMENSIONS (inch dimensions are derived from the original mm dimensions)

UNIT	A max.	A ₁	A ₂	A ₃	b _p	c	D ⁽¹⁾	E ⁽¹⁾	e	HE	L	L _p	Q	v	w	y	Z ⁽¹⁾	θ
mm	1.75	0.25 0.10	1.45 1.25	0.25	0.49 0.36	0.25 0.19	8.75 8.55	4.0 3.8	1.27	6.2 5.8	1.05	1.0 0.4	0.7 0.6	0.25	0.25	0.1	0.7 0.3	8° 0°
inches	0.069	0.0098 0.0039	0.057 0.049	0.01	0.019 0.014	0.0098 0.0075	0.35 0.34	0.16 0.15	0.050	0.24 0.23	0.041	0.039 0.016	0.028 0.024	0.01	0.01	0.004	0.028 0.012	

Note

1. Plastic or metal protrusions of 0.15 mm maximum per side are not included.

OUTLINE VERSION	REFERENCES				EUROPEAN PROJECTION	ISSUE DATE
	IEC	JEDEC	EIAJ			
SOT108-1	076E06S	MS-012AB				91-08-13 95-01-23

Low power compandor

SA576

DEFINITIONS

Data Sheet Identification	Product Status	Definition
<i>Objective Specification</i>	Formative or in Design	This data sheet contains the design target or goal specifications for product development. Specifications may change in any manner without notice.
<i>Preliminary Specification</i>	Preproduction Product	This data sheet contains preliminary data, and supplementary data will be published at a later date. Philips Semiconductors reserves the right to make changes at any time without notice in order to improve design and supply the best possible product.
<i>Product Specification</i>	Full Production	This data sheet contains Final Specifications. Philips Semiconductors reserves the right to make changes at any time without notice, in order to improve design and supply the best possible product.

Philips Semiconductors and Philips Electronics North America Corporation reserve the right to make changes, without notice, in the products, including circuits, standard cells, and/or software, described or contained herein in order to improve design and/or performance. Philips Semiconductors assumes no responsibility or liability for the use of any of these products, conveys no license or title under any patent, copyright, or mask work right to these products, and makes no representations or warranties that these products are free from patent, copyright, or mask work right infringement, unless otherwise specified. Applications that are described herein for any of these products are for illustrative purposes only. Philips Semiconductors makes no representation or warranty that such applications will be suitable for the specified use without further testing or modification.

LIFE SUPPORT APPLICATIONS

Philips Semiconductors and Philips Electronics North America Corporation Products are not designed for use in life support appliances, devices, or systems where malfunction of a Philips Semiconductors and Philips Electronics North America Corporation Product can reasonably be expected to result in a personal injury. Philips Semiconductors and Philips Electronics North America Corporation customers using or selling Philips Semiconductors and Philips Electronics North America Corporation Products for use in such applications do so at their own risk and agree to fully indemnify Philips Semiconductors and Philips Electronics North America Corporation for any damages resulting from such improper use or sale.

Philips Semiconductors
811 East Arques Avenue
P.O. Box 3409
Sunnyvale, California 94088-3409
Telephone 800-234-7381

© Copyright Philips Electronics North America Corporation 1997
 All rights reserved. Printed in U.S.A.

Let's make things better.