



AK7712A-VT

Built-in 20-bit ADC/DAC Sophisticated Audio DSP

General Description

The AK7712A is a DSP(Digital Signal Processor) with built-in high performance 20bit 2ch ADC and 4ch DAC, on purpose to control the sound field. It is possible to calculate 383 steps on 44.1kHz and 48kHz sampling respectively. In case of 32kHz sampling, it can calculate up to 511 steps. With a combination of this LSI and external memory for delay data, it can be realized easily to control the sound field such as Echo, Surround Presence Controller, and Key-control which are needed for something like Karaoke. Parametric Equalizing can be done without external memory.

Features

[DSP unit]

- Word length: 24-bit (data RAM)
- Instruction cycle time: 54ns(maximum speed)
- Multiplier: $24 \times 16 \rightarrow 40$ -bit
- Divider: $16 \div 16 \rightarrow 16$ -bit
- Program RAM: 384×32 bit
- External memory: DRAM, Pseudo-SRAM and SRAM can be connected (only use for delay data).
- Sampling frequency: 32kHz~48kHz
- Automatic clear function of external RAM:
47msec after bringing $\overline{\text{RST}}$ high at $f_s=48\text{kHz}$ (include internal data RAM)
- Microcomputer interface:
synchronized signal type 8-bit serial input 1 channel,
synchronized signal type 24-bit serial output 1 channel
- Master clock: $512(511)/384(383)/256(255)f_s$
The value inside () is maximum calculation steps.
512fs mode is available when 32kHz sampling is chosen.
- Conversion of master/slave mode for LRCK and BCLK:
When master mode is selected, the outputs of LRCK and BCLK depend on the set-up for input format.
- Serial input ports(2~4ch), and output ports(2~6ch) : 16/20/24 bit words

[ADC unit]

- 20-bit $64 \times$ Oversampling $\Delta\Sigma$ ADC: 2ch
- S/(N+D): 92dB
- DR, S/N: 98dB

[DAC unit]

- 20-bit $128 \times$ Oversampling $\Delta\Sigma$ DAC: 4ch
- S/(N+D): 86dB
- DR, S/N: 97dB
- Digital HPF ($f_c=1\text{Hz}$)

[Total]

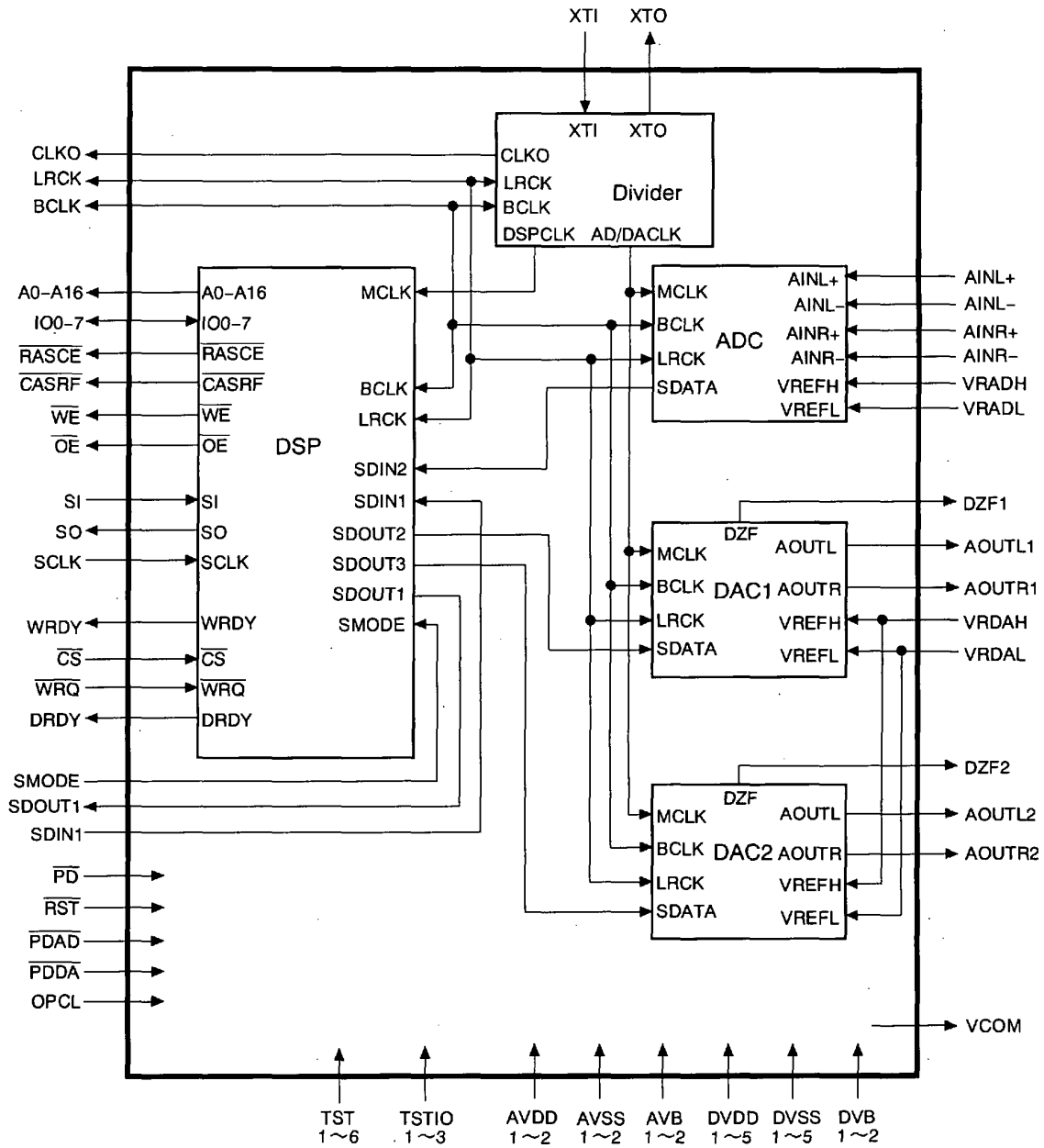
- Power supply: +5V
- Package: 100pin LQFP(0.5mm pitch)

Detail Features

- 1) Calculate Unit
 - Multiplication: 24-bit × 16-bit→ 40-bit(fixed-point, 2 instruction cycle time)
 - Division: 16-bit ÷ 16-bit→ 16-bit(fixed-point, 17 instruction cycle time)
 - ALU: 34-bit arithmetic operation
24-bit arithmetic logic operation
 - Shift: 1-,2-,3-,4-,6-,8-,15-bit right/left shift
AK7712A has indirect shift function.
(A shift using DBUS data can not use DBUS as multiplication input.)
 - Register: 34-bit × 4(ACC) [for ALU]
24-bit × 8(TMP) [for DBUS connection]
 - Double precision operation:
24-bit(data)×31-bit(coefficient), 45 × 31, 45 × 16
- 2) Internal Memory
 - Program RAM: 384 word × 32-bit
 - Data RAM: 128 word × 24-bit
 - Coefficient RAM: 256 word × 16-bit
 - Offset RAM: 40 word × 16-bit (for external memory access)
 - Microcomputer buffer: 16 word × 16-bit
- 3) External Memory Access (SRAM-Pseudo-SRAM-DRAM)
 - Objective memory: 256k(32k × 8-bit), 1M(128k × 8-bit) × 1 / SRAM
256k(32k × 8-bit), 1M(128k × 8-bit) × 1 / Pseudo-SRAM
256k(64k × 4-bit), 1M(256k × 4-bit) × 2 or × 1 / DRAM
(Half volume of 1M DRAM is used as 512k memory.)
 - Treating bit length: 16-bit (24-bit is available, but double time is needed for access.)
 - The number of times to access:
 - SRAM, 256k Pseudo-SRAM ; 76 at 384fs
 - : DRAM, 1M Pseudo-SRAM ; 64 at 384fs (32 at one DRAM)
 - : SRAM, 256k Pseudo-SRAM ; 51 at 256fs
 - : DRAM, 1M Pseudo-SRAM ; 42 at 256fs (21 at one DRAM)
 - Memory access time: less than 100nsec
 - Maximum address length: 65535 sampling times (at 1M SRAM)
2.048sec at 32kHz, 1.486sec at 44.1kHz, 1.365sec at 48kHz
- 4) Input/Output Port
 - Input: 2ch analog input: 20-bit ADC, DR=98dB (16-bit at BCLK=32fs)
[when built-in ADC is connected.]
2ch digital input: MSB justified 20-bit (16bit at BCLK=32fs) ...MSB first serial input
[when built-in ADC is isolated.]
2ch digital input: MSB justified 16-·24-bit / LSB justified 16-·24-bit ...MSB first serial input
 - Output: 4ch analog output: 20-bit DAC, DR=97dB(16-bit at BCLK=32fs)
[when built-in ADC is connected.]
4ch digital output: MSB justified 20-bit (16bit at BCLK=32fs) ...MSB first serial output
[when built-in ADC is isolated.]
2ch digital output: MSB justified 16-·24-bit/ LSB justified 16-bit ...MSB first serial output
- 5) Cascade connection with this LSI is possible.
- 6) Interface to Microcomputer: synchronized 8-bit serial input / synchronized 24-bit serial output
- 7) Calculation Cycle: max 18.432MHz(54nsec) [at 48.0kHz, 384fs, 5V]
- 8) Master/Slave conversion of LRCK BCLK is possible.
- 9) BCLK: 32fs/48fs/64fs (64fs only at master mode)

■ AK7712A Block Diagram

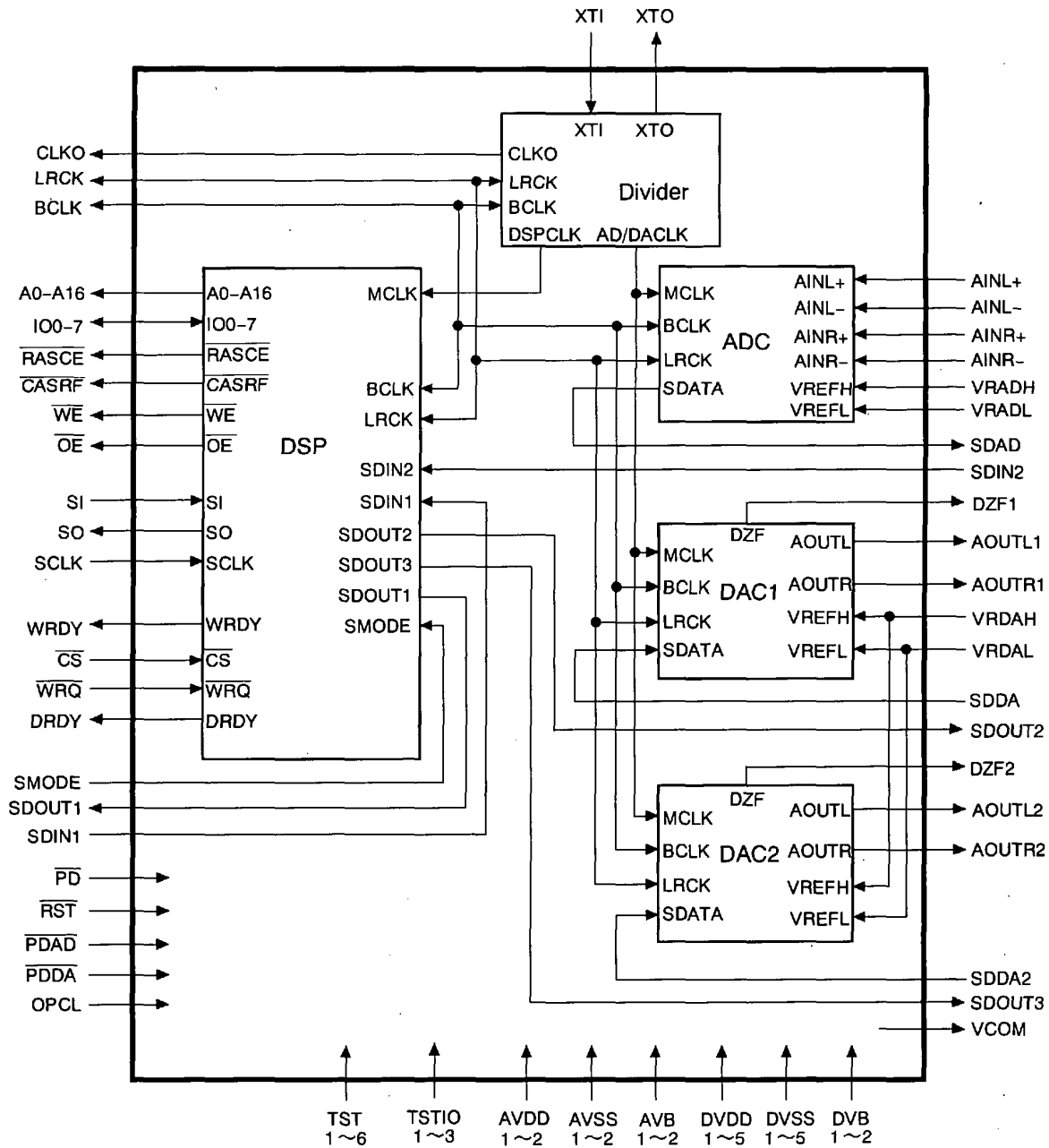
1) ADC,DAC Inside Connection Mode (OPCL: L)



AK7712A Block Diagram

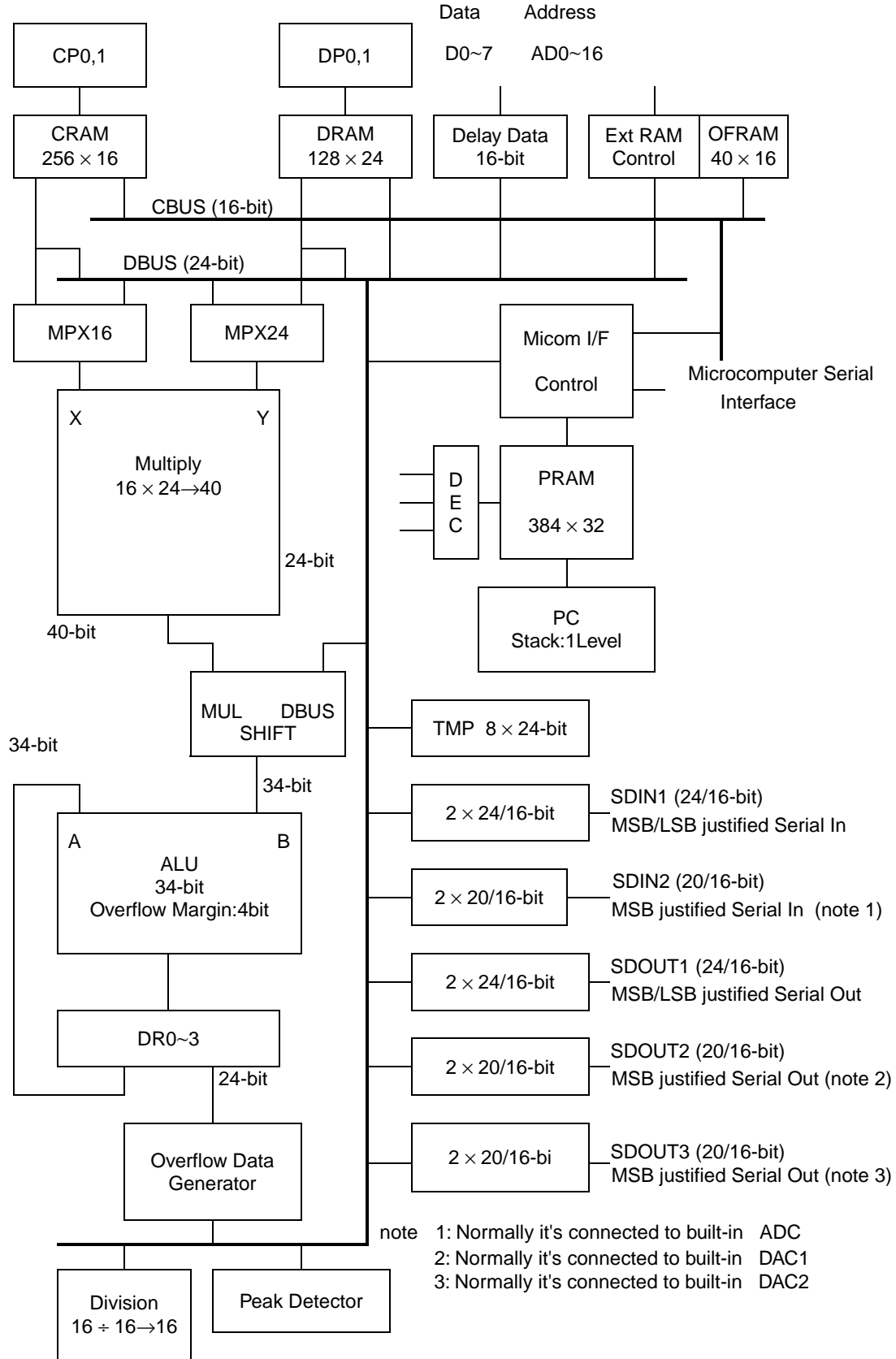
Note: Please use SDIN2, SDDA and SDDA2 with "L" or open.
SDAD, SDOUT2 and SDOUT3 output "L".

2) ADC,DAC Outside Connection Mode (built-in ADC,DAC isolation mode) (OPCL:H)



AK7712A Block Diagram

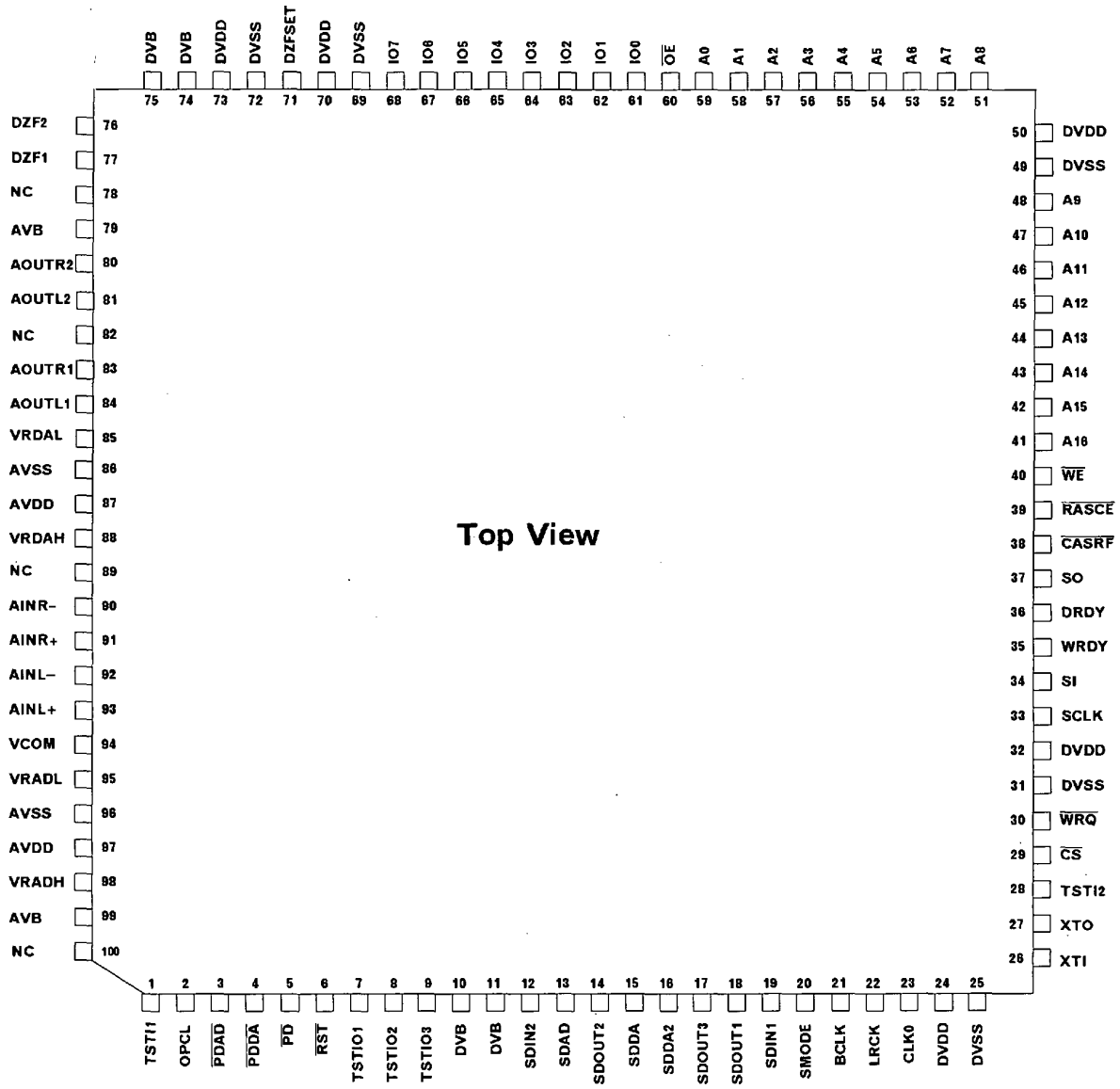
■ AK7712A DSP unit Block Diagram



■ Ordering Guide

AK7712A-VT -40~+85°C 100pin LQFP
 AKD7712A Evaluation Board

■ Pin Layout



Pin / Function

■ Power Supply

Pin No.	Pin name	I/O	Function
24, 32, 50, 70, 73	DVDD	-	Digital power supply
25, 31, 49, 69, 72	DVSS	-	Digital ground
87, 97	AVDD	-	Analog power supply
86, 96	AVSS	-	Analog ground
79, 99	AVB	-	Analog substrate power supply
10, 11, 74, 75	DVB	-	Digital substrate power supply

■ External RAM Interface Signal

Pin No.	Pin name	I/O	Function
41~48, 51~59	A16~A0	O	Address output for external RAM (A0:LSB justified, A16:MSB justified)
40	\overline{WE}	O	Write signal output for external SRAM/ Pseudo-SRAM/ DRAM
39	\overline{RESCE}	O	RAS for external DRAM / Pseudo-SRAM-CE
38	\overline{CASRF}	O	CAS for external DRAM / Pseudo-SRAM refresh
61~68	IO0~IO7	I/O	Data input/output for external RAM
60	\overline{OE}	O	Output enable signal output for external SRAM/ Pseudo-SRAM/ DRAM

■ **Microcomputer Interface Signal, Controls Signal, Input/Output Data, Reset, etc.**

Pin No.	Pin name	I/O	Function
30	$\overline{\text{WRQ}}$	I	Command register reset input for microcomputer interface
33	SCLK	I	Clock input for serial data input for microcomputer interface
36	DRDY	O	Output data ready output for microcomputer interface
34	SI	I	Serial data input for microcomputer interface
37	SO	O	Serial data output for microcomputer interface (Hi-Z state at $\overline{\text{CS}}="H"$)
35	WRDY	O	Data write ready output for microcomputer interface (Hi-Z state at $\overline{\text{CS}}="H"$)
29	$\overline{\text{CS}}$	I	Chip select input for microcomputer interface

■ AK7712A Control Signal, Input/Output Data Signal, Reset, etc.

Pin No	Pin name	I/O	Function
6	$\overline{\text{RST}}$	I	Reset input ("L" Reset) (note 1)
5	$\overline{\text{PD}}$	I	Power down (note 1)
3	$\overline{\text{PDAD}}$	I	AD reset control (note 1)
4	$\overline{\text{PDDA}}$	I	DA reset control (note 1)
19	SDIN1	I	Serial data input 1 MSB justified 16--24-bit / LSB justified 16--24-bit
18	SDOUT1	O	Serial data output 1 MSB justified 16--24-bit / LSB justified 16-bit
12	SDIN2	I	Serial data input 2 (OPCL : "H") (note 2) MSB justified 16--20-bit
13	SDAD	O	Serial data output 2 (OPCL : "H") (note 3) MSB justified 16--20-bit, common set-up with SDIN2
15	SDDA	I	Serial data input 3 (OPCL : "H") (note 2) MSB justified 16--20-bit, common set-up with SDOUT2
14	SDOUT2	O	Serial data output 3 (OPCL : "H") (note 3) MSB justified 16--20-bit
16	SDDA2	I	Serial data input 4 (OPCL : "H") (note 2) MSB justified 20-bit (16-bit at BCLK=32fs)
17	SDOUT3	O	Serial data output 4 (OPCL : "H") (note 3) MSB justified 20-bit (16-bit at BCLK=32fs)
21	BCLK	I/O	Clock input/output for serial data input
22	LRCK	I/O	L/R channel identify signal input/output
20	SMODE	I	Interface clock select Input/output set-up for each clock pin of LRCK and BCLK "L":slave mode(21,22 input), "H":master mode(output)
23	CLKO	O	Master clock output (note 4)
27	XTO	O	Output for quartz oscillator When an external clock is input, this pin should be left floating.
26	XTI	I	Input for quartz oscillator A crystal can be connected between this pin and XTO, or an external CMOS clock can be input on this pin.

note:1 About the directions, please refer the paragraph of power down reset control on P.65.

2 Set to "L" or "open" when OPCL is "L".

3 The output is "L" when OPCL is "L".

4 During a timing of changing CONTROL REGISTER, CLKO is instability.

■ Analog Relational Pins

Pin No.	Pin name	I/O	Function
93	AINL+	I	ADC Lch analog non-inverted input
92	AINL-	I	ADC Lch analog inverted input
91	AINR+	I	ADC Rch analog non-inverted input
90	AINR-	I	ADC Rch analog inverted input
84	AOUTL1	O	DAC1 Lch analog output 1
83	AOUTR1	O	DAC1 Rch analog output 1
81	AOUTL2	O	DAC2 Lch analog output 2
80	AOUTR2	O	DAC2 Rch analog output 2
85	VRDAL	I	Standard voltage input of DAC unit (normally connected to analog ground)
88	VRDAH	I	Standard voltage input of DAC unit (normally connected to 87 pin. 0.1u and 10uF capacitor are connected between this pin and VRDAL pin.)
95	VRADL	I	Standard voltage input of ADC unit (normally connected to analog ground)
98	VRADH	I	Standard voltage input of ADC unit (normally connected to 97 pin. 0.1u and 10uF capacitor are connected between this pin and VRADL pin.)
94	VCOM	O	Common voltage (0.1u and 10uF capacitor are connected between this pin and analog ground.)

■ Test Pin, etc.

Pin No.	Pin name	I/O	Function
77	DZF1	O	Zero input find (for DAC1)
76	DZF2	O	Zero input find (for DAC2)
1	TSTI1	I	Test input 1 ; use as "L" or open
28	TSTI2	I	"L": CLKO(23pin) output "H": CLKO(23pin)→"L"
7	TSTIO1	I/O	Test input 1 ; use as "L" or open
8	TSTIO2	I/O	Test input 2 ; use as "L" or open
9	TSTIO3	I/O	Test input 3 ; use as "L" or open
2	OPCL	I	ADC,DAC connection choice "L": connect , "H": separate
71	DZFSET	I	Zero point find set "H": DZF output , "L": DZF output→"L"
78, 82, 89, 100	NC	-	NC pins do not be bonded inside.

Absolute Maximum Ratings

(AVSS,DVSS=0V; note 1)

Parameter	Symbol	min	max	Unit
DC Power supply: analog power	VA	-0.3	6.0	V
digital power(DVDD) (note 2)	VD	-0.3	(VB)+0.3	V
substrate power(AVB,DVB)	VB	-0.3	6.0	V
Input current (except power supply)	IIN	-	±10	mA
Analog input voltage AINL+,AINL-,AINR+,AINR-,VREF	VINA	-0.3	(VA)+0.3	V
Digital input voltage (note 2)	VIND	-0.3	(VB)+0.3	V
Ambient temperature	Ta	-40	85	°C
Storage temperature	Tstg	-65	150	°C

note 1: All the value mean the voltage against the ground pin.

2: Maximum absolute value must be within 6.0V, i.e. $VB+0.3V \leq 6.0V$.

Warning: To operate beyond these limits may result in permanent damage to the device.

Normal operation is not guaranteed at these extremes.

Recommended Operating Conditions

(AVSS,DVSS=0V; note 1)

Parameter	Symbol	min	typ	max	Unit
Power supply: analog power	VA	4.75	5.0	5.25	V
digital power (DVDD)	VD	4.75	5.0	VB	V
substrate power (AVB,DVB)	VB	4.75	5.0	5.25	V

(note 2,3,4)

note 1: All the value mean the voltage against the ground pin.

2: The VA and VB should be powered at the same time or earlier than VD.

3: The VA and VB are connected together through the chip substrate and has several ohms resistors.

The VA and VB should be supplied from the same power unit.

4: Analog input/output voltages are proportional to the voltages of VRADH,VRDAH.

* AKM assumes no responsibility for the usage beyond the conditions in this data sheet.

Analog Characteristics

(Ta=25°C; AVDD,DVDD,AVB,DVB=5.0V; VRADH=AVDD,VRADL=AVSS,VRDAH=AVDD,VRDAL=AVSS;
fs=44.1kHz; BCLK=64fs master mode; MCLK=256fs; input signal frequency=1kHz; 20-bit;
measurement band width=10Hz~20kHz; DSP unit is reset; ADC differential input; unless otherwise specified.)

Parameter	min	typ	max	Units
-----------	-----	-----	-----	-------

ADC unit :

Resolution			20	Bits
Dynamic characteristics				
S/(N+D) (-0.5dB)	86	92		dB
S/N (A-Weight)	94	98		dB
Dynamic range (A-Weight) (note 1)	94	98		dB
Interchannel isolation (f=1kHz)	90	105		dB
DC Accuracy				
Interchannel gain mismatch		0.1	0.3	dB
Gain drift	-	50	-	ppm/°C
Analog input				
Input voltage (note 2)	±1.9	±2.0	±2.1	Vp-p
Input impedance		220		kΩ

DAC unit :

Resolution			20	Bits
Dynamic characteristics				
S/(N+D) (0 dB)	80	86		dB
S/N (A-Weight)	93	97		dB
Dynamic range (A-Weight) (note 1)	93	97		dB
Interchannel isolation (f=1kHz) (note 4)	90	105		dB
DC Accuracy				
Interchannel gain mismatch (note 4)		0.2	0.5	dB
Gain drift	-	50	-	ppm/°C
Analog output				
Output voltage (note 3)	2.65	2.90	3.15	Vp-p
Load resistance	5			kΩ

note 1: S/(N+D) with an input signal of -60dB below full-scale.

2: The full-scale of analog input voltage(AIN = (AIN+) - (AIN-)) equals to
 $\pm FS = \pm(VRADH - VRADL) \times 0.4$

3: The full-scale of output voltage(0dB) is proportional to VRDAH.

$A_{out}(typ. @0dB) = 2.9V_{pp} \times VRDAH/5$

4: Between L channel and R channel of each DAC.

Digital Filter Characteristics

This data is not the guaranteed characteristic value but the designed value as a reference.

ADC unit :

(Ta=25°C; VA,VD,VB=5.0V±5%; fs=44.1kHz)

Parameter	Symbol	min	typ	max	Units
Passband (±0.06dB)	PB	0		20.00	kHz
(-6.0 dB) (note 1)		0		22.05	kHz
Stopband (note 1)	SB	24.35			kHz
Passband ripple (note 2)	PR			±0.005	dB
Stopband attenuation (note 3,4)	SR	80			dB
Group delay distortion	ΔGD			0	us
Group delay (Ts=1/fs)	GD		29.3		Ts

note 1: The frequencies of passband/stopband are proportional to the sampling frequency (fs).

2: Passband is DC to 19.75kHz at fs=44.1kHz.

3: Stopband is 27.56kHz to 2.795MHz at fs=44.1kHz.

4: The analog modulator samples the input at 2.8224MHz for fs=44.1kHz. There is no rejection of input signals at those band width which are multiples of the sampling frequency($n \times 2.8224\text{MHz} \pm 20.21\text{kHz}$; $n=0,1,2,3\dots$).

DAC unit :

(Ta=25°C; VA,VD,VB=5.0V±5%; fs=44.1kHz;)

Parameter	Symbol	min	typ	max	Units
Digital filter					
Passband (-0.2 dB) (note 1)	PB	0		20.0	kHz
(-6.0 dB)		-	22.05	-	kHz
Stopband (note 1)	SB	24.3			kHz
Passband ripple	PR			±0.05	dB
Stopband attenuation	SA	41			dB
Group delay (Ts = 1/fs) (note 2)	GD	-	14.7	-	Ts
Digital filter + analog filter					
Amplitude characteristics 0~20kHz		-	±0.5	-	dB

note 1: The frequencies of passband/stopband are proportional to the sampling frequency (fs);

PB=0.4535fs(@-0.2dB), SB=0.546fs(@-41dB).

2: The calculating delay time is occurred by digital filtering. This is the time from the setting 20-bit data on input register to the output of analog signal. (at fs=44.1kHz)

DC Characteristics

(AVDD=DVDD; AVD,DVB=5.0V±5%; Ta=25°C)

Parameter	Symbol	min	typ	max	Units
High level input voltage	VIH	70%VDD	-	-	V
Low level input voltage	VIL	-	-	30%VDD	V
High level input voltage Iout=-20uA	VOH	VDD-0.1	-	-	V
Low level input voltage Iout= 20uA	VOL	-	-	0.1	V
Input leak current (note 1)	Iin	-	-	±10	uA
Input leak current (note 2) (pull-down pin)	Iid	-	100	-	uA

note 1: except pull-up/pull-down pin

2: Pull-down pin(Typ 50kΩ) is as follows; \overline{PDAD} , \overline{PDDA} , SDIN2, SDDA, SDDA2, TSTI1, TSTI2, TSTO1, TSTO2, TSTO3, OPCL pin.

(Ta=25°C; AVDD,DVDD,AVB,DVB=5.0V; Master clock = 18.432MHz, XT1=384fs [fs=48kHz]; Input 1kHz full scale sine wave input from 2ch analog input pin of ADC and output to 4ch DAC.)

Power supply				
Parameter	min	typ	max	Units
Power supply current				
Normal operation ($\overline{RST}=\overline{PD}="H"$)				
AVDD + AVB + DVB		47	70	mA
DVDD		51	80	mA
Power-down mode ($\overline{RST}=\overline{PD}="L"$)				
AVDD + AVB + DVB+ DVDD (note 3)		20	250	uA
Power dissipation				
Normal operation		490	750	mW
Power-down mode		0.1	1.25	mW

note 3: This is the value in the conditions that external clock(XTI,BCLK,LRCK) is "L", SCLK is "H".

Switching Characteristics

•Clock

(Ta=25°C; VA,VD,VB=5.0V±5%; CL=20pF)

Parameter	Symbol	min	typ	max	Units
Control clock frequency					
Master clock					
Quartz oscillator mode					
256fs:	f _{CLK}	8.192	11.2896	12.288	MHz
384fs:	f _{CLK}	12.288	16.9344	18.432	MHz
512fs:	f _{CLK}	12.288	16.384	18.432	MHz
External clock mode					
Duty cycle		40	50	60	%
256fs:					
Pulse width Low	t _{CLKL}	30			ns
Pulse width High	t _{CLKH}	30			ns
384fs:					
Pulse width Low	t _{CLKL}	20			ns
Pulse width High	t _{CLKH}	20			ns
512fs:					
Pulse width Low	t _{CLKL}	20			ns
Pulse width High	t _{CLKH}	20			ns
Audio serial data clock (BCLK)	f _{BLK}	1.024	2.8224	3.072	MHz
Channel select clock (LRCK)	f _S	32	44.1	48	kHz
Duty cycle		49	50	51	%
Microcomputer serial data clock (SCLK)	f _{SLK}			12.288	MHz
Pulse width Low	t _{SLKL}	30			ns
Pulse width High	t _{SLKH}	30			ns
Reset timing					
PD pulse width	t _{PD}		100		ns
RST pulse width	t _{RST}		100		ns
Clock falling time					
[XTI, BICK, LRCK, SCLK] (note)	t _f				
Clock rising time				10	ns
[XTI, BICK, LRCK, SCLK] (note)	t _r			10	ns

note : At input of external CMOS clock for XTI.

1) Audio Interface Timing

(AVDD=DVDD,AVB,DVB=5.0V±5%,Ta=25°C;

Master clock 16.9344MHz,XTI=384fs[fs=44.1kHz]; CL=20pF)

Parameter	Symbol	min	typ	max	Units
Slave mode					
BCLK cycle	t _{BLK}	312.5			ns
BCLK pulse width Low	t _{BLKL}	100.0			ns
pulse width High	t _{BLKH}	100.0			ns
Time from BCLK"↓" to LRCK (note 1)	t _{BLR}	30-t _{BLKH}		30+t _{BLKL}	ns
Delay time from LRCK to DOUT(MSB)	t _{LRD}			70	ns
Delay time from BCLK"↓" to DOUT	t _{BLKD}			70	ns
Latch hold time of SDIN	t _{DINH}	40			ns
Latch setup time of SDIN	t _{DINS}	40			ns
Master mode					
BCLK cycle	t _{BLK}		64fs		ns
Duty cycle			50		ns
BCLK pulse width Low	t _{BLKL}	100.0			ns
pulse width High	t _{BLKH}	100.0			ns
Time from BCLK"↓" to LRCK	t _{BLR}	-20		20	ns
Delay time from LRCK to DOUT(MSB)	t _{LRD}			70	ns
Delay time from BCLK"↓" to DOUT	t _{BLKD}			70	ns
Latch hold time of SDIN	t _{DINH}	40			ns
Latch set Up time of SDIN	t _{DINS}	40			ns

note 1 : This standard value is provided for not to be overlapped the edge of LRCK and BCLK"↑" each other.

2) Microcomputer Interface Timing

(AVDD=DVDD,AVB,DVB=5.0V±5%,Ta=25°C;

master clock 16.9344MHz,XTI=384fs[fs=44.1kHz];CL=20pF)

Parameter	Symbol	min	typ	max	Units
From CS"↓" to WRQ"↓"	t _{CSW}	100			ns
From RST"↓" to WRQ"↓"	t _{RSW}	100			ns
From WRQ"↑" to CS"↑"	t _{WRC}	100			ns
From WRQ"↑" to RST"↑"	t _{WRS}	100			ns
From WRQ"↓" to SCLK"↓"	t _{WSC}	100			ns
From Last SCLK"↑" to WRQ"↑"	t _{SCW}	166(note1)			ns
SCLK cycle	t _{SLK}	200			ns
SCLK pulse width Low	t _{SLKL}	80			ns
pulse width High	t _{SLKH}	80			ns
SI latch hold time	t _{SIH}	50			ns
SI latch set Up time	t _{SIS}	50			ns
From CS"↓" to cancellation of SO,WRDY "Hi-z" (note2)	t _{CSHR}			100	ns
From CS"↑" to SO,WRDY"Hi-z" (note2)	t _{CSHS}			800	ns
From CS"↑" to DRDY"↓"	t _{CSDR}			100	ns
From SCLK"↓" to SO setup time (note2)	t _{SOS}			40	ns

note 1 : Master clock cycle × 3

note 2 : See timing chart.

3) Read/Write Interface Timing of External RAM
(AVDD, DVDD, AVB, DVB=5.0V±5%, Ta=25°C, CL=20pF)

Parameter	Symbol	XTI(MHz)						Units
		18.432		16.934		12.288		
		min	max	min	max	min	max	
Address delay time from \overline{OE} "↑" (writing)	t_{AOEW}	-15	15	-18	18	-20	20	ns
Address delay time from \overline{OE} "↓" (reading)	t_{AOER}		70		80		110	ns
Access time	t_{WCY}	105		115		170		ns
Address set-up time	t_{WD}	10		12		15		ns
Data set time	t_{DS}	80		90		135		ns
Data hold time	t_{DH}	10		12		15		ns
Pulse width to write	t_{WP}	60		70		90		ns

4) Refresh Interface Timing of Pseudo SRAM(External RAM)
(AVDD, DVDD, AVB, DVB=5.0V±5%, Ta=25°C, CL=20pF)

Parameter	Symbol	XTI(MHz)						Units
		18.432		16.934		12.288		
		min	max	min	max	min	max	
Auto refresh cycle	t_{FC}	145		162		210		ns
Pulse width of refresh command	t_{FAP}	80		90		135		ns
Delay time of refresh command	t_{RFD}	100		110		160		ns
Pre-charge time of refresh	t_{FP}	35		40		60		ns

5) Read/Write Interface Timing of Pseudo SRAM(External RAM) (Static Column Mode)
(AVDD, DVDD, AVB, DVB=5.0V±5%, Ta=25°C, CL=20pF)

Parameter	Symbol	XTI(MHz)						Units
		18.432		16.934		12.288		
		min	max	min	max	min	max	
Address delay time from \overline{OE} "↑" (writing)	t_{AOEW}	-15	15	-18	18	-20	20	ns
Address delay time from \overline{OE} "↑" (reading)	t_{AOER}		70		80		110	ns
Column address hold time	t_{CAH}	110		120		170		ns
SC mode read/write cycle	t_{RSC}	80		90		135		ns
Address setup time	t_{AS}	10		12		15		ns
Pulse width of chip enable	t_{CE}	180		200		280		ns
Column address hold time (after write)	t_{AHW}	10		12		15		ns
Chip enable time	t_{CW}	95		105		140		ns
Column address setup time	t_{ASW}	10		12		15		ns
Pulse width of write command	t_{WP}	35		40		60		ns
Data set time	t_{DW}	50		60		90		ns
Data hold time	t_{DH}	10		12		15		ns

6) Read/write Interface Timing of Pseudo SRAM(External RAM) (normal mode)
(AVDD,DVDD,AVB,DVB=5.0V±5%, Ta=25°C, CL=20pF)

Parameter	Symbol	XTI(MHz)						Units
		18.432		16.934		12.288		
		min	max	min	max	min	max	
Address delay time from \overline{OE} "↑" (writing)	t_{AOEW}	-15	15	-18	18	-20	20	ns
Address delay time from \overline{OE} "↑" (reading)	t_{AOER}		70		80		110	ns
Hold time of column address	t_{CAH}	110		120		170		ns
Address setup time	t_{AS}	10		12		15		ns
Pulse width of chip enable	t_{CE}	90		100		135		ns
Pre-charge time of chip enable	t_P	40		50		60		ns
Chip enable time	t_{CW}	90		100		135		ns
Pulse width of write command	t_{WP}	35		40		60		ns
Data set time	t_{DW}	100		110		160		ns
Data hold time	t_{DH}	10		12		15		ns

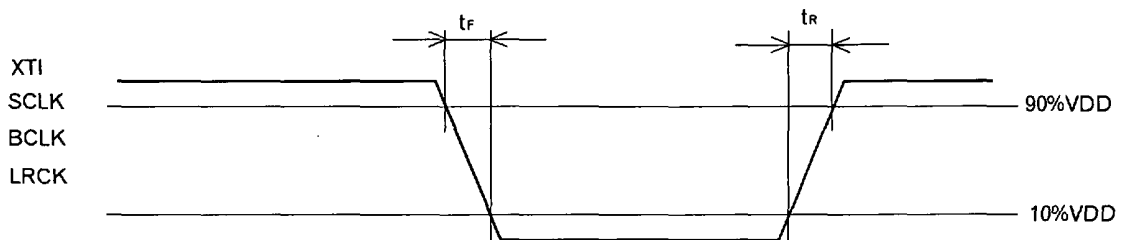
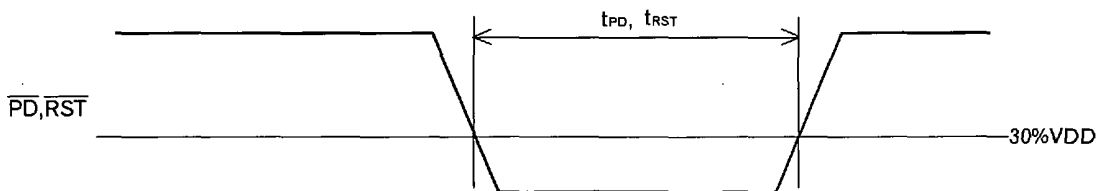
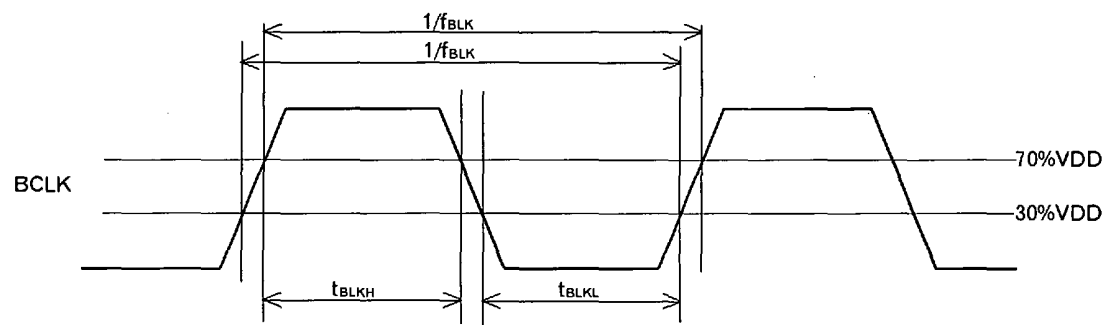
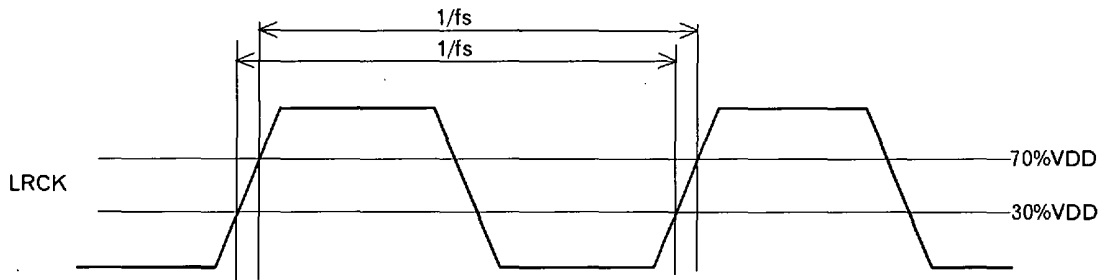
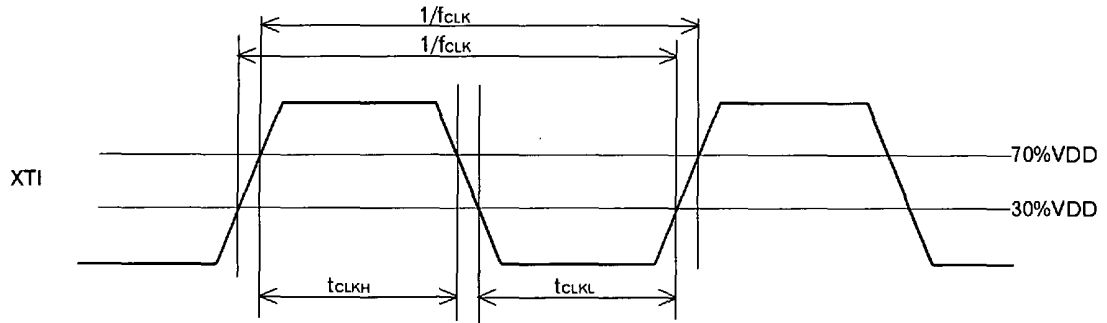
7) Refresh Interface Timing of DRAM(External RAM) (CAS before RAS Refresh)
(AVDD,DVDD,AVB,DVB=5.0V±5%, Ta=25°C, CL=20pF)

Parameter	Symbol	XTI(MHz)						Units
		18.432		16.934		12.288		
		min	max	min	max	min	max	
Read cycle	t_{CRD}	240		260		360		ns
Pulse width of \overline{RASCE} "H"	t_{WRH}	105		120		170		ns
Pulse width of \overline{RASCE} "L"	t_{WRL}	105		120		170		ns
\overline{RASCE} Pre-charge • \overline{CASRF} hold time	t_{RPC}	80		90		130		ns
\overline{CASRF} setup time at auto refresh	t_{SUR}	10		12		15		ns
\overline{CASRF} hold time at auto refresh	t_{HRRC}	200		220		320		ns

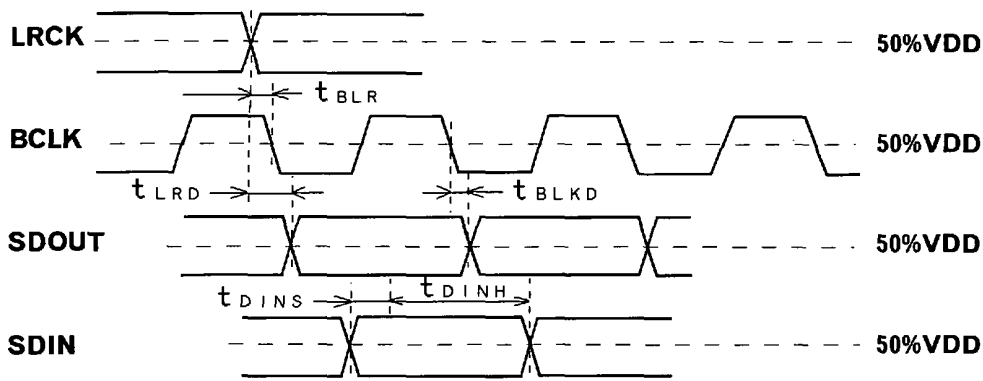
8) Read/Write Interface Timing of DRAM(External RAM) (Page Mode)
(AVDD,DVDD,AVB,DVB=5.0V±5%, Ta=25°C, CL=20pF)

Parameter	Symbol	XTI(MHz)						Units
		18.432		16.934		12.288		
		min	max	min	max	min	max	
Address delay time from \overline{OE} "↑" (write)	t_{AOEW}	-15	15	-18	18	-20	20	ns
Address delay time from \overline{OE} "↓" (read)	t_{AOER}		70		80		110	ns
\overline{RASCE} preceded address setup time	t_{SURA}	10		12		15		ns
\overline{RASCE} followed address hold time	t_{HRA}	12		14		18		ns
\overline{CASRF} preceded address setup time	t_{SUCA}	10		12		15		ns
\overline{CASRF} followed address hold time	t_{HCLCA}	45		45		60		ns
\overline{CASRF} hold time after write	t_{HWCH}	40		43		60		ns
Write hold time after \overline{CASRF}	t_{HCLW}	55		65		90		ns
Write pulse width	t_W	40		43		60		ns
Data setup time	t_{SUD}	0		0		0		ns
Data hold time after write	t_{HWLD}	60		70		100		ns
Pulse width of \overline{CASRF} "H"	t_{WCH}	22		24		32		ns
Pulse width of \overline{CASRF} "L"	t_{WCL}	54		62		90		ns

■ Timing Waveform

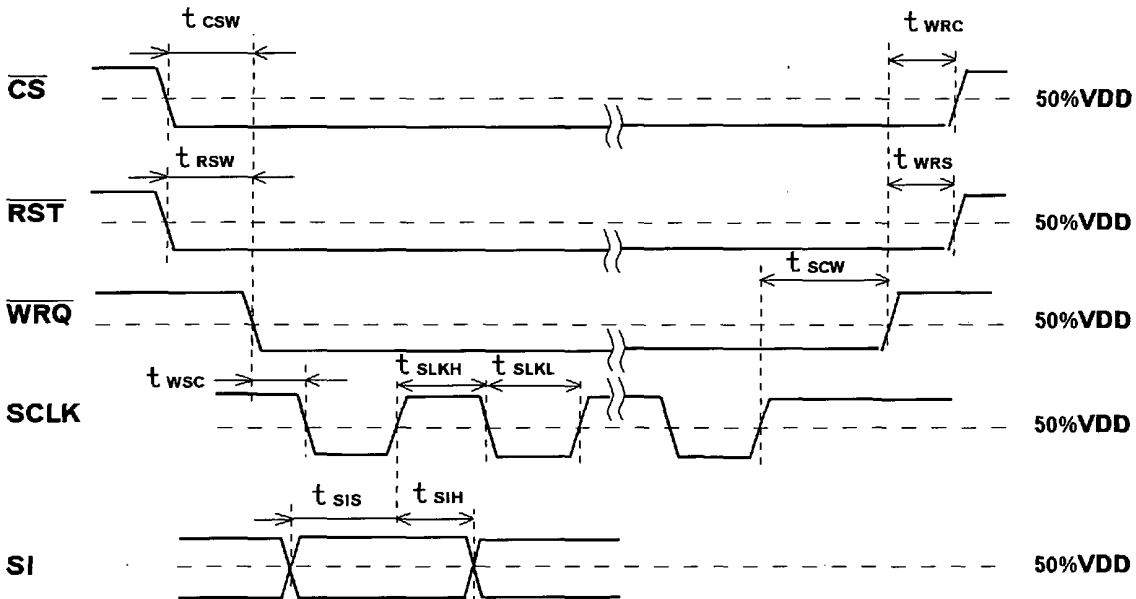


Audio Interface Timing

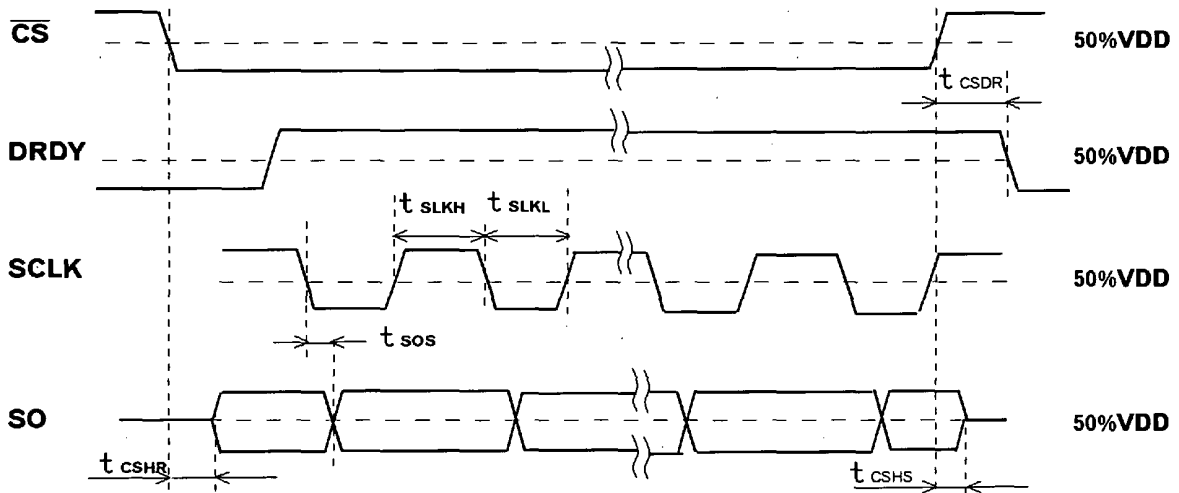


Microcomputer Interface Timing

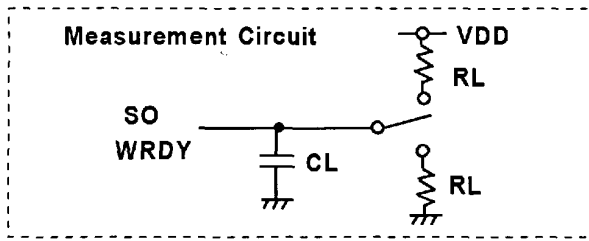
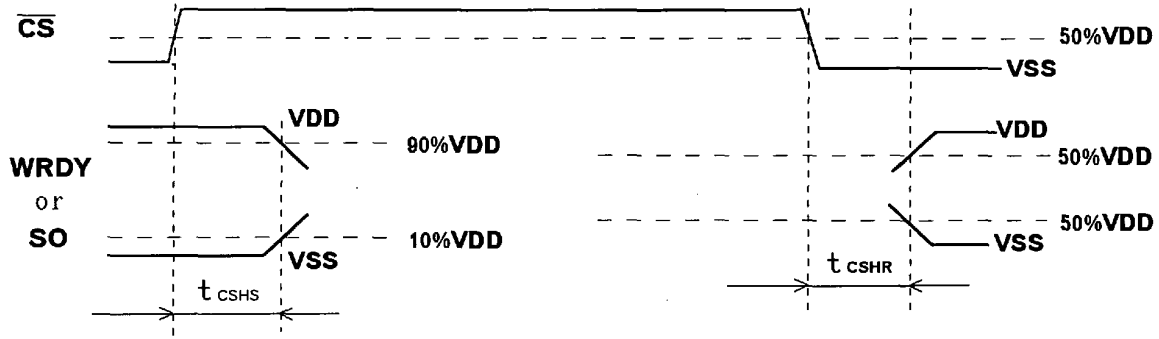
<Microcomputer → AK7712A>



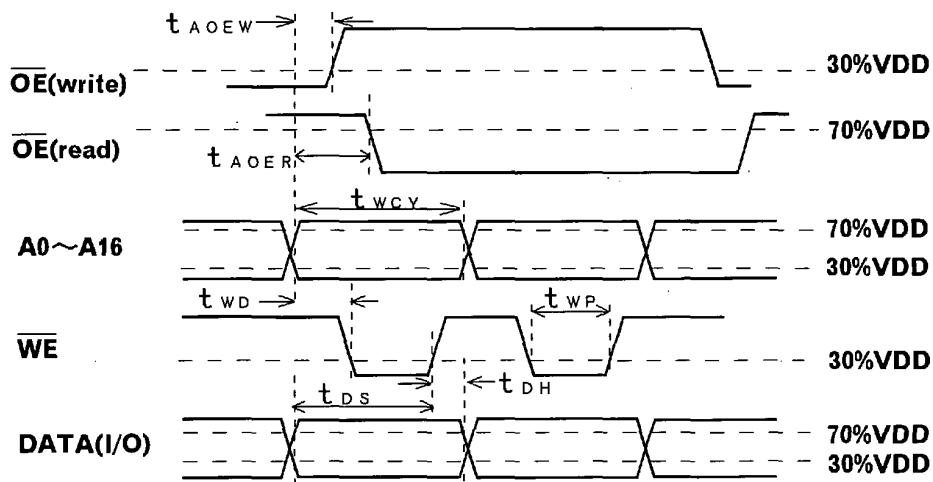
<AK7712A → Microcomputer>



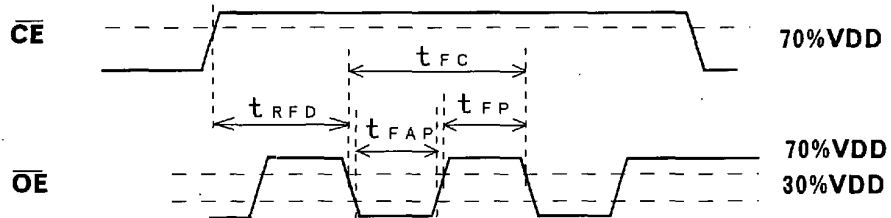
Microcomputer Interface Timing (Supplement)



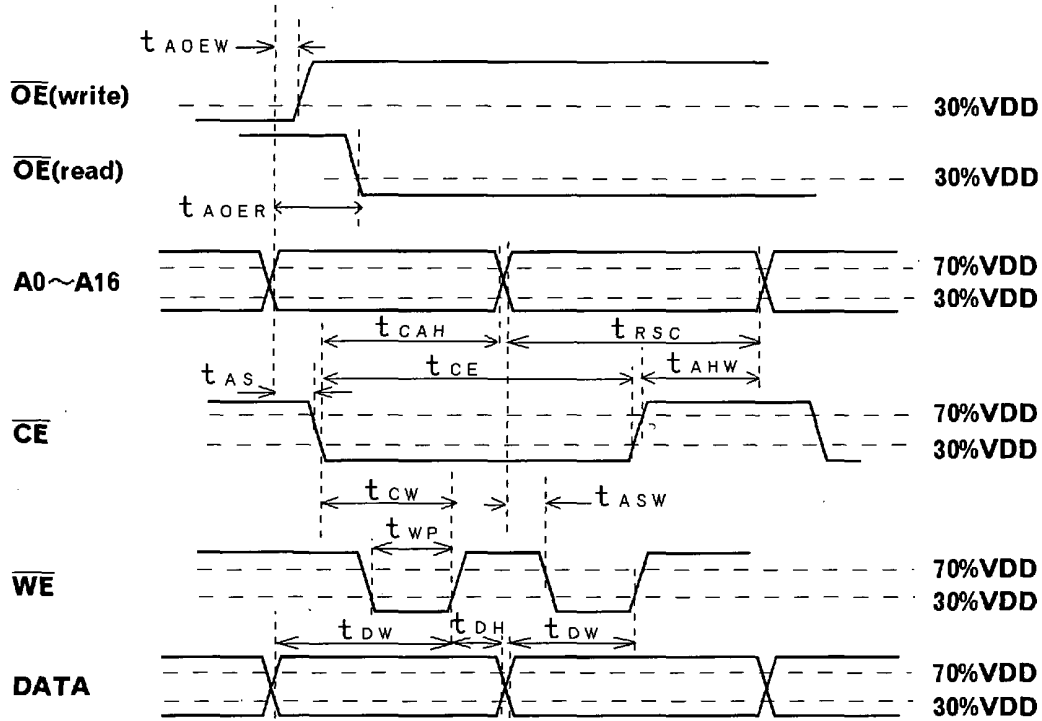
Read/Write Interface Timing of External SRAM



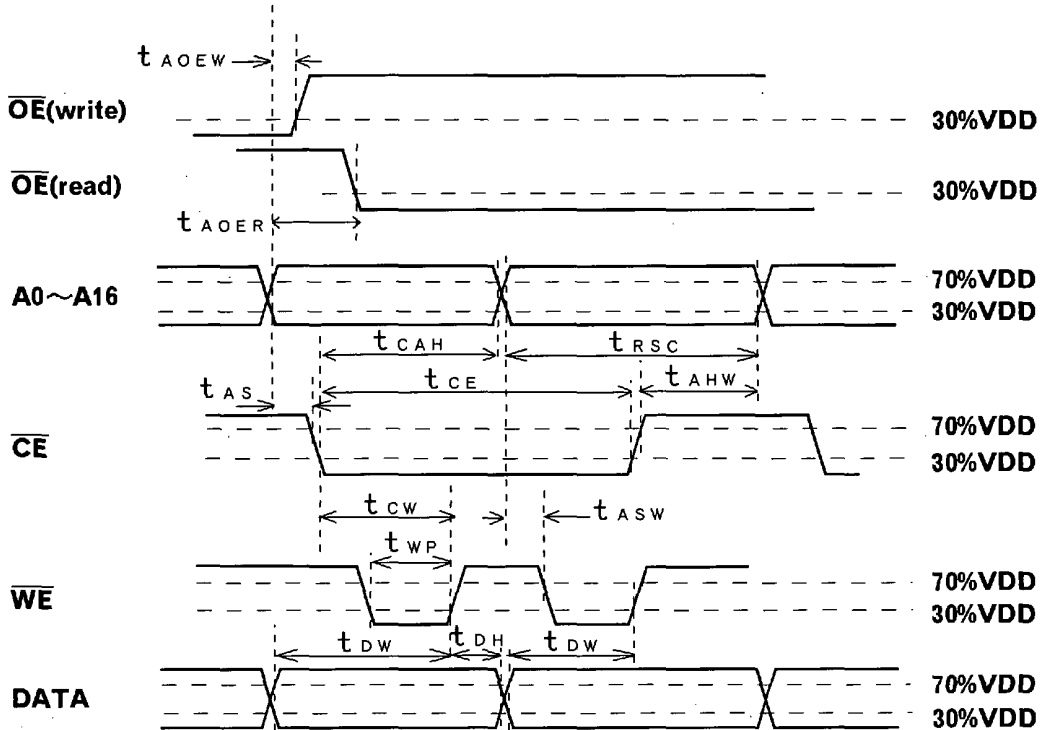
Refresh Interface Timing of Pseudo SRAM



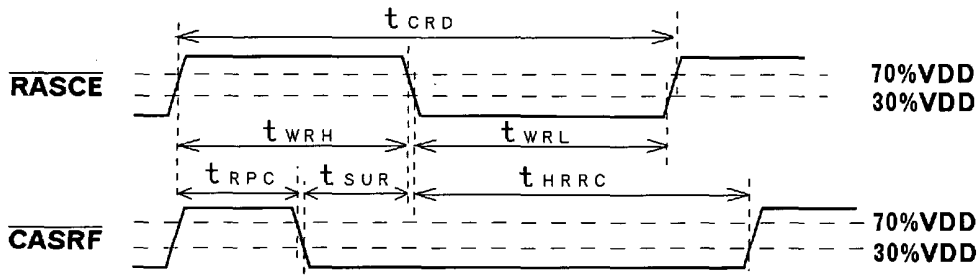
Read/Write Interface Timing of Pseudo SRAM (Static Column Mode)



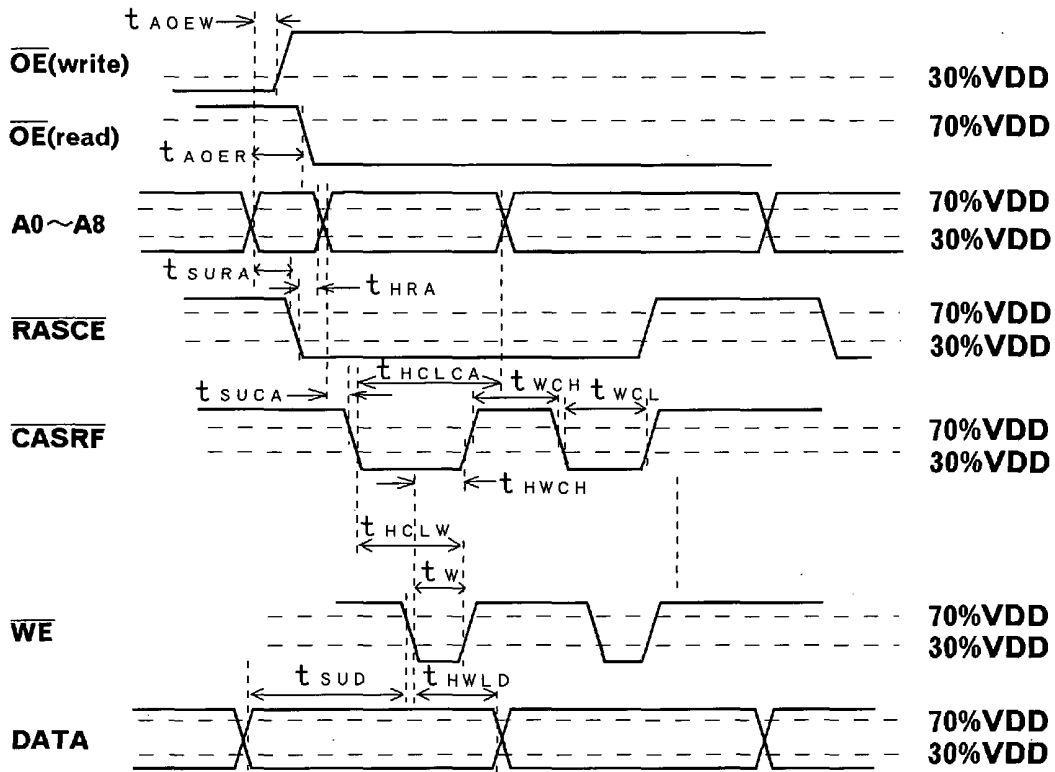
Read/Write Interface Timing of Pseudo SRAM (Normal Mode)



Refresh Interface Timing of DRAM (CAS before RAS Refresh)



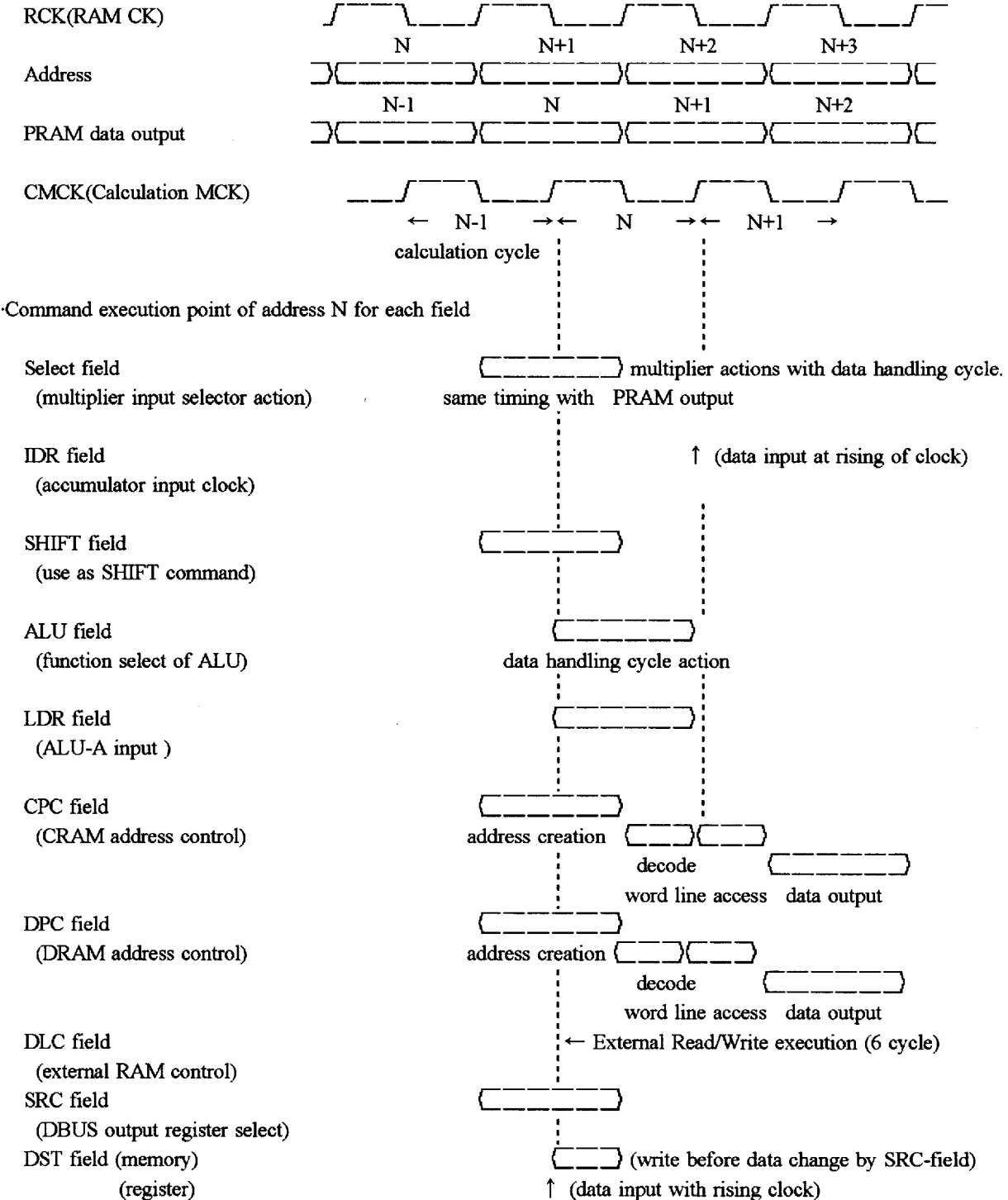
Read/Write Interface Timing of DRAM (Page Mode)



Function Manual

■ DSP unit : Execution Timing of Each Command

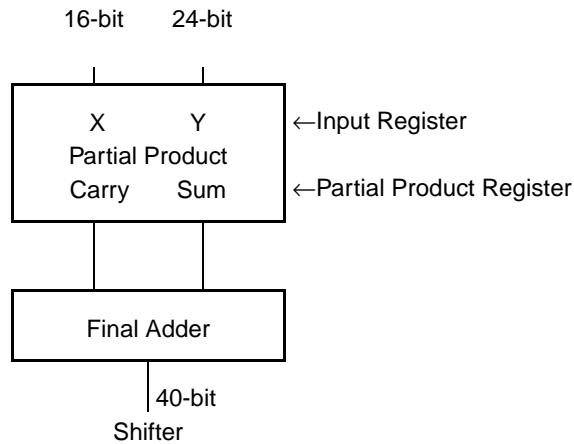
Each Blocks(PRAM,DRAM,CRAM,Calculation unit,etc.) actions on pipeline. On controlling of this pipeline, each stages(command fetch, command decode and execution) are handled in parallel, The operations for each block is executed by 32-bit horizontal code. Therefore each operations are executed equivalently in one machine cycle. The following is the executing timing of each command.



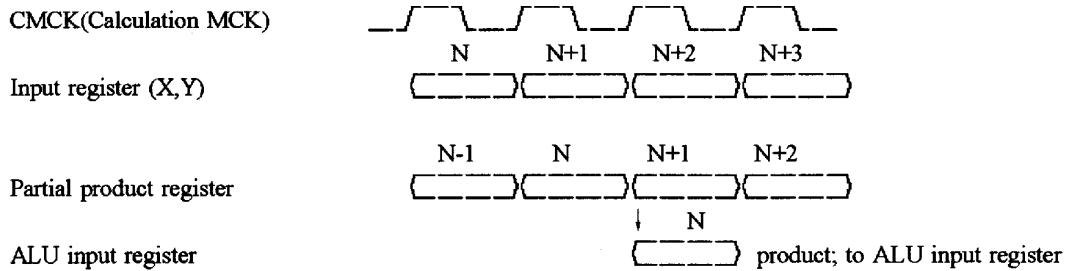
2) Multiplier

Multiplier outputs the 31-bit data for shift circuit as a result of fixed-point calculation(24-bit(data) × 16-bit(coefficient) = 40-bit). 4 ways of multiplication can operate for the data as follows. The output data is extended from MSB for reason that the data overflows at -1 × -1. The following combinations are possible for input.

16-bit Input	24-bit Input	notes
Coefficient RAM	Data RAM	calculation of X ²
Coefficient RAM	DBUS	
DBUS	Data RAM	
DBUS	DBUS	



Multiplication actions always synchronous with CMCK, the product is output in 2 cycles.

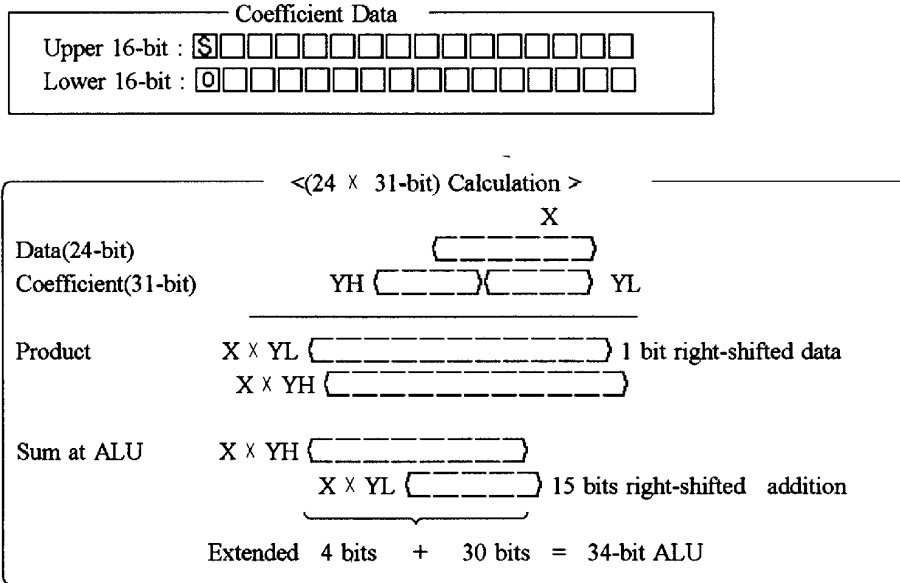


[The Timing of Multiplication]

Together with shift function, each double-precision calculations of (24 × 31-bit), (45 × 31-bit) and (45 × 16-bit) are available.

☆ (24 × 31-bit) Calculation

(24 × 31-bit) calculation is done with Coefficient RAM data regulated as follows.



The obtained value $X \times YH$ should be added after shifting 16 bits to left compared with $X \times YL$. But, as $X \times YL$ is the data which is shifted 1bit to right, actually $X \times YH$ is added after shifting 15 bits to left.

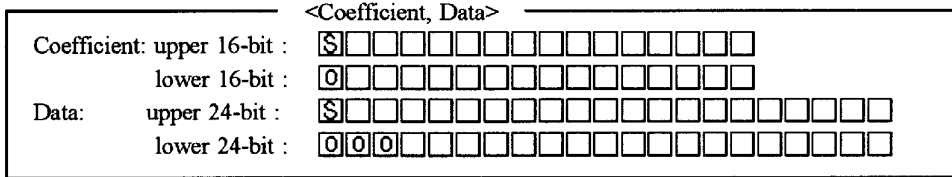
<Example of Calculation Program (24 × 31-bit)>

```

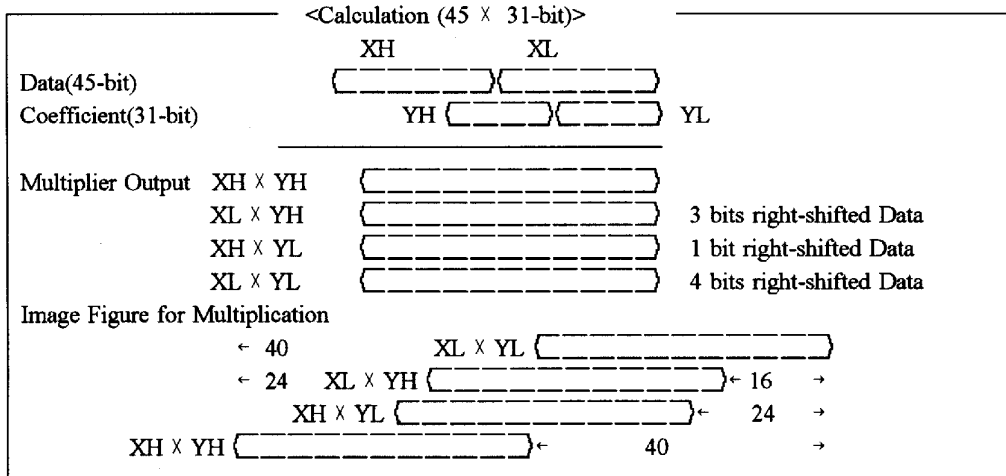
,OP,          ,          ,CPU,DU1,,, ;Read of Coefficient(MSB) and Data
,OP,          ,          ,CPU,   ,,,, ;Read of Coefficient(LSB)
,OP,CR × DR ,          ,   ,   ,,,,
,OP,CR × DR ,          ,   ,   ,,,,
,OP,          ,IDR0=SH0 << ,   ,   ,,,,
,OP,          ,IDR0=SHRF + LDR0 ,   ,   ,,,, ;(X × YH) + 15-bit right-shifted (X × YL)
    
```

★ (45 × 31-bit) Calculation

(45 × 31-bit) calculation is done with Coefficient RAM data regulated as follows.

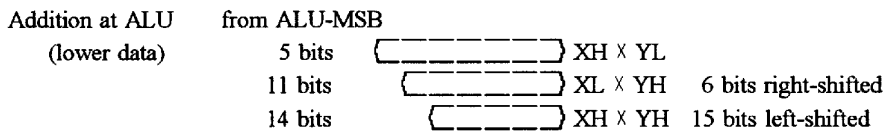


The calculations of upper and lower part are done independently, and the final result is calculated as 45-bit data by adding the lower result to the upper one.



Each 40-bit data are treated as follows.

1. The upper 24 bits data of (XH × YH) is added as the upper data.
The lower 15 bits data is shifted 15 bits to left and then is added at DR0.
2. (XH × YL) is added at DR0 with no shift.
3. (XL × YH) is shifted 6 bits to left and then is added at DR0 .
4. (XL × YL) is shifted 21 bits to right and then is added at DR0.



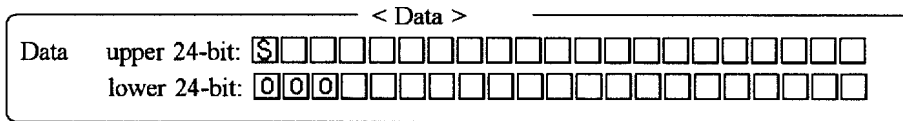
This 34-bit data is shifted 15 bits to right and then is added to the upper data.

```

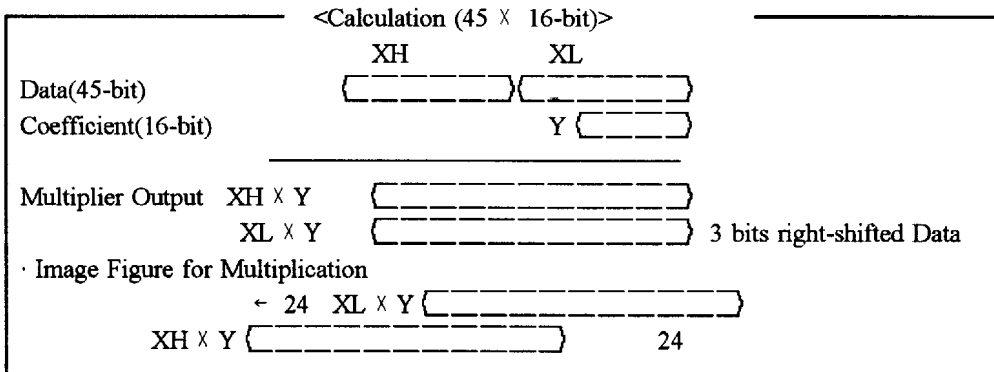
<Example of Calculation Program(45 × 31-bit)>
,OP,      ,           ,CPU,DU1,,      ;,Read of Coefficient(MSB) and Data(MSB)
,OP,      ,           ,      ,      ,      ;
,OP,CR × DR ,           ,      ,DU1,,      ;,YH × XH,Read of Data(LSB)
,OP,CR × DR ,           ,CPU,      ,      ;,YH × XH,Read of Coefficient(LSB)
,OP,CR × DR ,IDR0=SDLF <<           ,      ,DD1,,      ;,YH × XL(shifted 6bit to right)
,OP,CR × DR ,IDR1=SH0 <<           ,      ,      ,      ;,YL × XL(shifted 21 to right)
,OP,CR × DR ,IDR0=SHR6 + LDR0       ,      ,      ,      ;,YL × XH
,OP,      ,IDR2=SHR6 <<           ,      ,      ,      ;
,OP,      ,IDR0=SH0 + LDR0         ,      ,      ,      ;
,PP,      ,IDR0=BHRF + LDR0        ,      ,      ,ODR2 ;
,OP,      ,           ,      ,      ,      ;,ODRB: lower 24 bits data
,PP,      ,IDR1=BDRF + LDR1        ,      ,      ,ODRB ;,DR1: upper 24 bits data
    
```

☆ (45 × 16-bit) Calculation

(45 × 16-bit) calculation is done with the data regulated as follows.

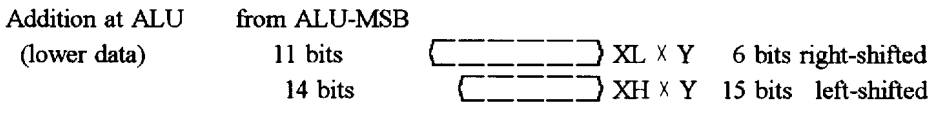


The calculations of upper and lower part are done independently, and the final result is calculated as 45-bit data by adding the lower result to the upper one.



Each 40-bit data are treated as follows.

1. The upper 24 bits data of (XH × Y) is added as the upper data.
The lower 16 bits data is shifted 15 bits to left and then is added at DR0.
2. (XL × Y) is shifted 6 bits to right and then is added at DR0.



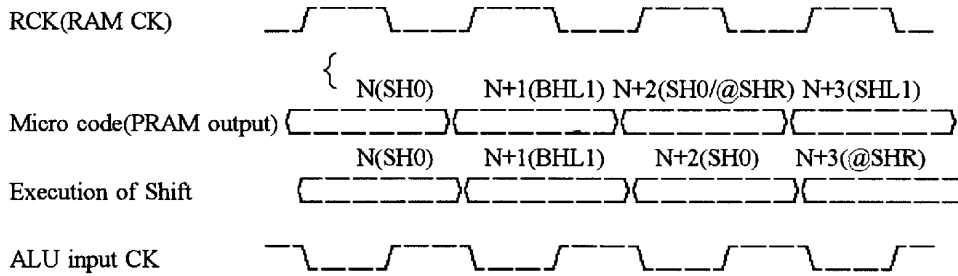
In this way, upper 24 bits and lower 21 bits are calculated.

```

<Example of Calculation Program(45 × 16-bit)>
,OP,          ,          ,CPU,DU1,,          ,;Read of Coefficient(MSB), Data(MSB)
,OP,          ,          ,          ,          ,;
,OP,CR × DR ,          ,CPU,          ,          ,;Y × XH,Read of Coefficient(LSB)
,OP,CR × DR ,          ,          ,          ,          ,;Y × XH
,OP,CR × DR ,IDR0=SDLF <<          ,          ,          ,;Y × XL(shifted 6bit to right)
,OP,          ,IDR1=SH0 <<          ,          ,          ,;
,OP,          ,IDR0=SHR6 + LDR0          ,          ,          ,;
,OP,          ,          ,          ,          ,;ODRB: lower 24 bits data
,PP,          ,IDR1=BDRF + LDR1          ,          ,ODRB, ;DR1: upper 24 bits data
    
```

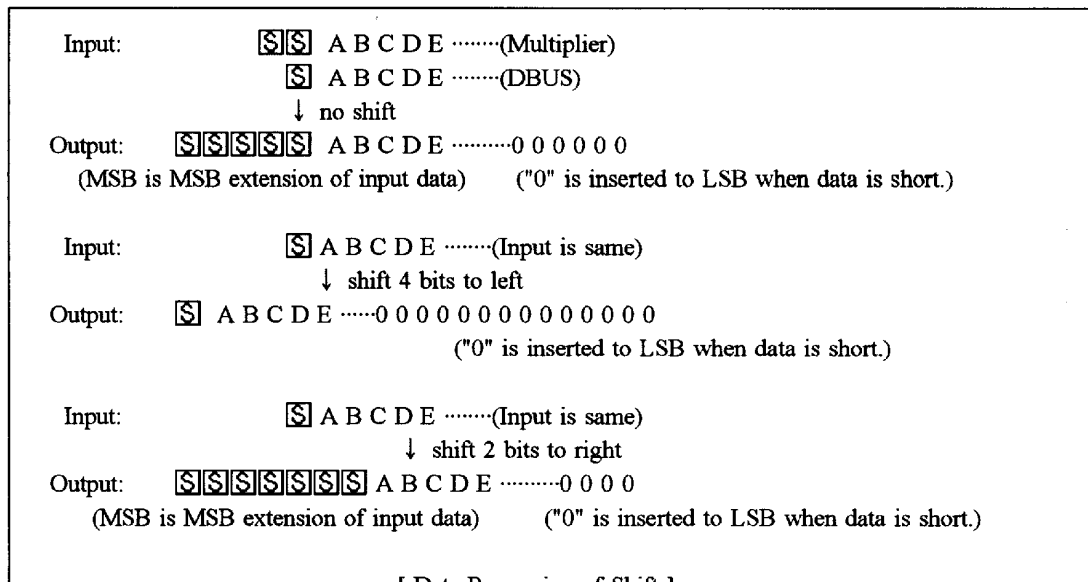
3) Shift Calculation

The shift has two sources of multiplier output and DBUS. In the case of shortage of data length, MSB side is extended the highest bit, LSB side is put in 0 to output 34-bits data. The shift commands which shift the data 0/1/2/3/4/6/8/15 bits to right/left, and the indirect shift command @SHR are prepared. On using the command (BH**) which shift the DBUS data, you can use only CRAM and DRAM data for multiplication input at the same line. The indirect shift command is carried out in 1 step, taking priority of shift field command. The Timing of shift command is showed below.



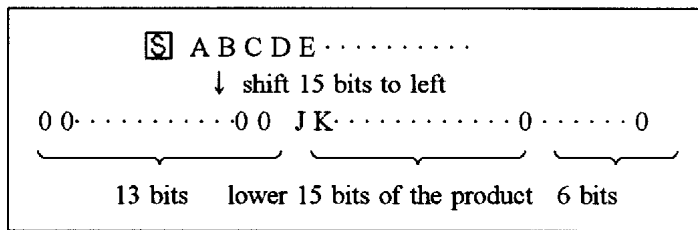
[Execution Timing of Shift]

Barrel shifter is 30+1 bits, the 1 bit is prepared for overflow margin. This is extended to save the overflowed data on the multiplication of -1×-1 . Except for -1×-1 , if shifting 4bits and more to left is executed then the sign bit is fade(in the case of -1×-1 , 3 bits and more.). Processing of data at shift except for SDLF and BDRF is shown below.



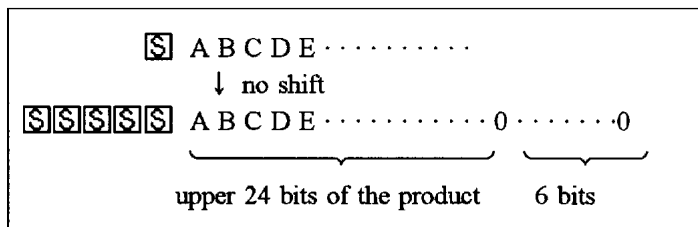
SDLF and BDRF take a peculiar action to calculate 45×31 and 45×16 . The example program is shown on section 2) Multiplier. SDLF shifts the lower 15 bits of the product to 15 bits left, and calculates the 34 bits data, whose upper 13 bits and lower 6 bits are "0". The lower 6 bits of the product are set to "0" at next step.

1st step



The product of next step is operated as follows.

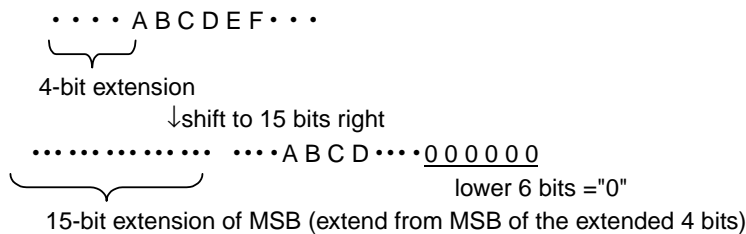
2nd step



BDRF shifts the 13 bits from upper extended data of DR0 to 15 bits right as input data, and extends this 19-bit data from MSB for 15 bits upper, and then calculate 34-bit data, which is set the lower 6 bits to "0".

In this command, although not appoint DR register, DR0 data is chose and is added to upper data register.

(By hardware, the output of DR0 is directly connected to shift.)



In addition to the direct shift command by the program mentioned above, the indirect shift, which execute with shift number set to indirect shift command circuit, is prepared. The relation of shift and shift number is shown as following colum. This circuit is connected with upper 5 bits of DBUS, and is set value by @SHR command, and then is carried out in next step, taking priority of shift field command. Using this function and peak detection in P.44, the data can be regulated. (ex. 163AFE(HEX) → 58EBF8(HEX)) The example of program is shown as follows. (assuming that DR0 is regulated.)

```

<Example of Data Regulating>
,OP,,          ,,,,ODR0 ,@PDR ;detecting size of DR0
,OP,,          ,,,,PDR  ,@SHR ;setting shift number with indirect shift
,PP,,IDR0=BH0 << ,,,,ODR0 ,          ;execution of indirect shift taking priority of BH0 after 1 step.
    
```

Set value of shift number	Shift	Set value of shift number	Shift
1 0 0 0 0	no shift	0 0 0 0 0	no shift
1 0 0 0 1	1 bit to right	0 0 0 0 1	1 bit to right
1 0 0 1 0	2 bits to right	0 0 0 1 0	2 bits to right
1 0 0 1 1	3 bits to right	0 0 0 1 1	3 bits to right
1 0 1 0 0	4 bits to right	0 0 1 0 0	4 bits to right
1 0 1 0 1	5 bits to right	0 0 1 0 1	5 bits to right
1 0 1 1 0	6 bits to right	0 0 1 1 0	6 bits to right
1 0 1 1 1	7 bits to right	0 0 1 1 1	7 bits to right
1 1 0 0 0	8 bits to right	0 1 0 0 0	8 bits to right
1 1 0 0 1	9 bits to right	0 1 0 0 1	9 bits to right
1 1 0 1 0	10 bits to right	0 1 0 1 0	10 bits to right
1 1 0 1 1	11 bits to right	0 1 0 1 1	11 bits to right
1 1 1 0 0	12 bits to right	0 1 1 0 0	12 bits to right
1 1 1 0 1	13 bits to right	0 1 1 0 1	13 bits to right
1 1 1 1 0	14 bits to right	0 1 1 1 0	14 bits to right
1 1 1 1 1	15 bits to right	0 1 1 1 1	15 bits to right

The function of shift is shown as follows.

<List of Shift Relational Command >

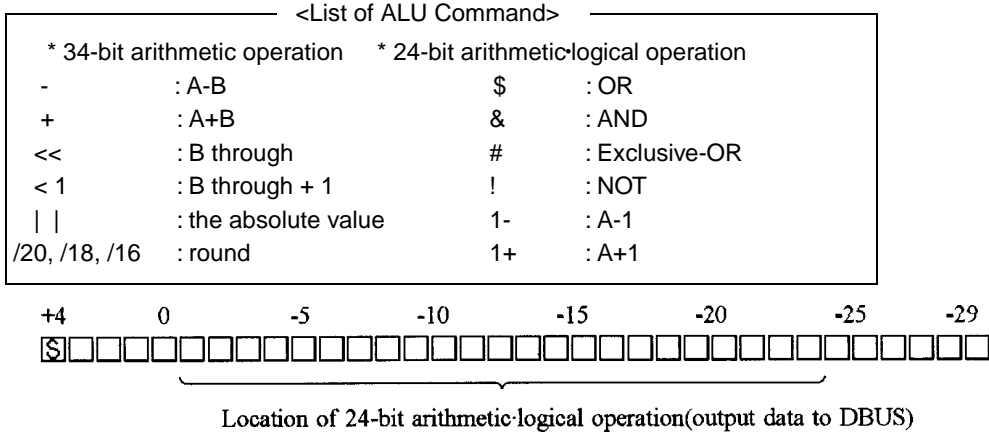
SH0: the product with no shift	*BH0 : the DBUS data with no shift
SHR1: the product shifted 1 bit to right	*BHR1: the DBUS data shifted 1 bit to right
SHR2: the product shifted 2 bits to right	*BHR2: the DBUS data shifted 2 bits to right
SHR3: the product shifted 3 bits to right	*BHR3: the DBUS data shifted 3 bits to right
SHR4: the product shifted 4 bits to right	*BHR4: the DBUS data shifted 4 bits to right
SHR6: the product shifted 6 bits to right	*BHR6: the DBUS data shifted 6 bits to right
SHR8: the product shifted 8 bits to right	*BHR8 the DBUS data shifted 8 bits to right
SHRF: the product shifted 15 bits to right	*BHRF the DBUS data shifted 15 bits to right
SHL1: the product shifted 1 bit to left	*BHL1: the DBUS data shifted 1 bit to left
SHL2: the product shifted 2 bits to left	*BHL2: the DBUS data shifted 2 bits to left
SHL3: the product shifted 3 bits to left	*BHL3: the DBUS data shifted 3 bits to left
SHL4: the product shifted 4 bits to left	*BHL4: the DBUS data shifted 4 bits to left
SHL6: the product shifted 6 bits to left	*BHL6: the DBUS data shifted 6 bits to left
SHL8: the product shifted 8 bits to left	*BHL8: the DBUS data shifted 8 bits to left
SHLF: the product shifted 15 bits to left	*BHLF: the DBUS data shifted 15 bits to left
#SDLF: the product shifted 15 bits to left	*#BDRF: the DBUS data shifted 15 bits to left
@SHR: Input the indirect shift value from DBUS(5 bits connection from MSB)	

* : The use restriction is exist. (It can use when the input of multiplication is set to CRAM,DRAM.)

#: Special command used at double-precision calculation(45 × 31, 45 × 16).

4) ALU

ALU can execute 34-bit arithmetic operation and 24-bit arithmetic-logical operation as follows.



ALU outputs three flags mentioned below, holds the last flag's state at ALU-NOP.

* SGF: This flag shows MSB(+4 bits) of ALU. SGF flag shows "0" when the result is zero or positive, and shows "1" when the result is negative.

* OVF: This flag shows the overflow(exceeding the 0-th bit) of operated result of ALU. When overflow is occurred, it shows "1" else "0".

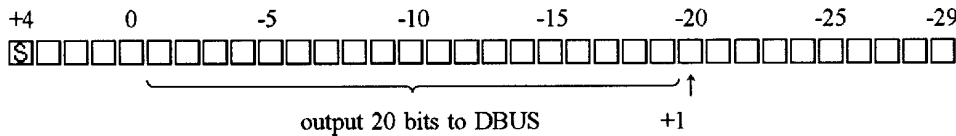
The data is output to DBUS as follows at overflow;

positive overflow: 7FFFFFFF(HEX) , negative overflow: 800000(HEX).

In addition, when the data exceed the overflow margin on the way of calculation, this flag is held on "1", output the above data to DBUS.

* ZRF: This flag shows "1" when the result of 24-bit(0--23) calculation at ALU is "0".

The 20,18 and 16-bit rounding is prepared. 20-bit rounding execute the addition of "1" to -20th bit(if LSB = all "0" then +0), and execute half-adjust. In the same way, 18-,16-bit rounding add "1" to -18th, -16th bit respectively. The through +1 adds "1" to -24th bit, for the calculation data to be obtained as data rounded to 24-bit in advance, then the execution step for rounding can be omitted. The location of addition point of "1" for 20-bit rounding is shown below.



"<1" (B through +1) adds "1" to -25th bit of the input data. In the case that the calculated data is output on DBUS, the data is rounded off to 24bits.

<Example program for 24-bit data output>

```

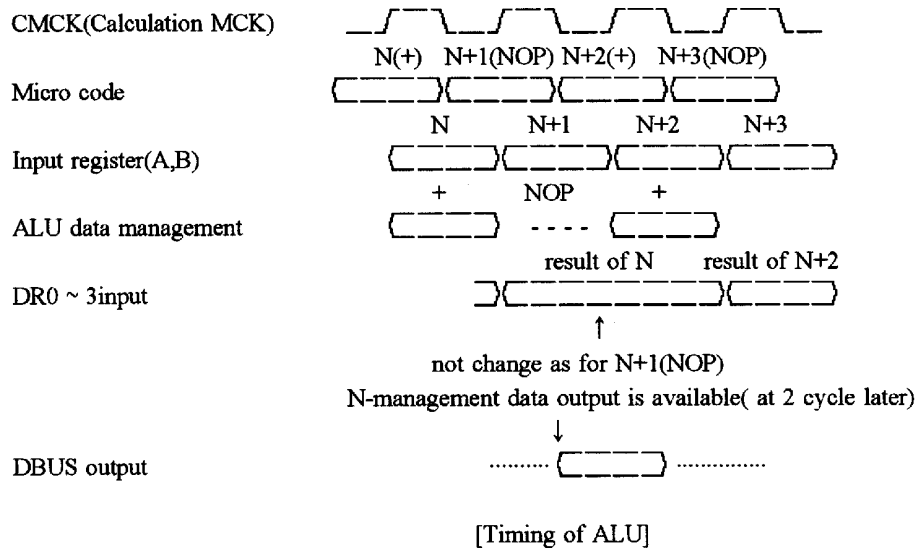
,OP,CR*DR,          ,      ,      ;
,OP,CR*DR,          ,      ,      ;
,OP,CR*DR,IDR0=SH0 <1  ,      ,      ;
,OP,          ,IDR0=SH0 + LDR0 ,      ,      ;
,OP,          ,IDR0=SH0 + LDR0 ,      ,      ;
,OP,          ,          ,      ,      ;
,OP,          ,          ,      ,      ;
,OP,          ,          ,ODR0, ;ODR0 is the rounded value of calculated data
    
```

In each command of ALU, input data is processed as follows.

Command	A input	B input	OF ZF SF OV	ALU function
NOP			not change	
<<	all "0"	B	○○○○	+
<1	-24bits+1,all"0"	B	○○○○	+
+	A	B	○○○○	+
-	A	inversion+1	○○○○	+
1-	A	+4~-23bits="1" -24~-29bits="0"	○○○RE	+
1+	A	-23bits+1, all "0"	○○○RE	+
	A	all "0"	○○○○	positive: + negative: inversion + 1
/20	A	-20bits+1, all"0"	○○○○	+
/18		-18bits+1, all"0"	○○○○	
/16		-16bits+1, all"0"	○○○○	
\$	A,+1~-+4bits="0"	B	×○×RE	OR
&	A,+1~-+4bits="0"	B	×○×RE	AND
#	A,+1~-+4bits="0"	B	×○×RE	EXOR
!	inversion	all "0"	×○×RE	NOT

O: Flag is effective. ×: Don't care. RE: Reset of overflow register

About the timing of ALU, the input of B register actions always, but when ALU is NOP, the value of ACC and flag are not changed. It becomes possible to output the result to DBUS 2 steps later .



5) Division

The divider is equipped with a circuit independently. The condition and format of data are as follows.

Input data: A= dividend (16-bit) : B= divisor (16-bit) Output data: Q= quotient (16-bit) Condition: $0 < A < B$; A and B are positive, and Q is less than 1.
--

If input data is set in such order @DIVA, @DIVB on SRC field, the operation begins automatically, and the quotient is obtained after 17 steps from @DIVB command, the result is held until the next direction of division. Then the data output is available on and after 18th step. In this division, other calculation can be done. In such case, the order @DIVA, @DIVB must be kept for operating division even if the same dividend or divisor data is used.

6) Pink noise generator circuitry

The single repatriated shift resistors [24, 21, 19, 18, 17, 16, 15, 14, 13, 10, 9, 5, 1]s are independently equipped in this device apart from the arithmetic function block.

This circuitry renews the data at every sampling cycle and output data is connected to DBUS. As a result, the value for 24bit can be asked at the sampling cycle when MRSG are pointed out in the DST field.

Besides, in case of use of pink noise generator circuitry, C5 should be set to 1 when control resistors are set.

■ **Accumulator(DR0~3)**

Accumulator is a 34-bit register to store the result of calculation at ALU. 4 registers of DR0~3 can be used. The choice of accumulator to input data is done at IDR field. The data of accumulator is output to DBUS and the A-input of ALU, and it is possible to select the different accumulators for LDR and SCR at the same time. The accumulator0(DR0) can output to DBUS and moreover can output the lower 24 bits in 2 ways as follows. One of those is the intact lower 24 bits, and the other is the 24 bits which is changed upper 3 bits of lower 24 bits to "0". The upper 13 bits of DR0 is connected to shifter directly. In the case of output to DBUS, the data judged overflow is also output the intact 24-bit data when TDR* command is used.

<The List of Accumulator Command >	
IDR0 : Input result of ALU to DR0	ODR0 : Output DR0 to DBUS with clip process
IDR1 : DR1	ODR1 : DR1
IDR2 : DR2	ODR2 : DR2
IDR3 : DR3	ODR3 : DR3
LDR0 : Output DR0 to the A input of ALU	TDR0 : Output DR0 to DBUS without clip process
LDR1 : DR1	TDR1 : DR1
LDR2 : DR2	TDR2 : DR2
LDR3 : DR3	TDR3 : DR3
ODRB : Output the lower 24 bits of DR0 to DBUS (upper 3 bits are "000")	
ODRL : Output the lower 24 bits of DR0 to DBUS	

■ **Temporary Register(TMP0~7)**

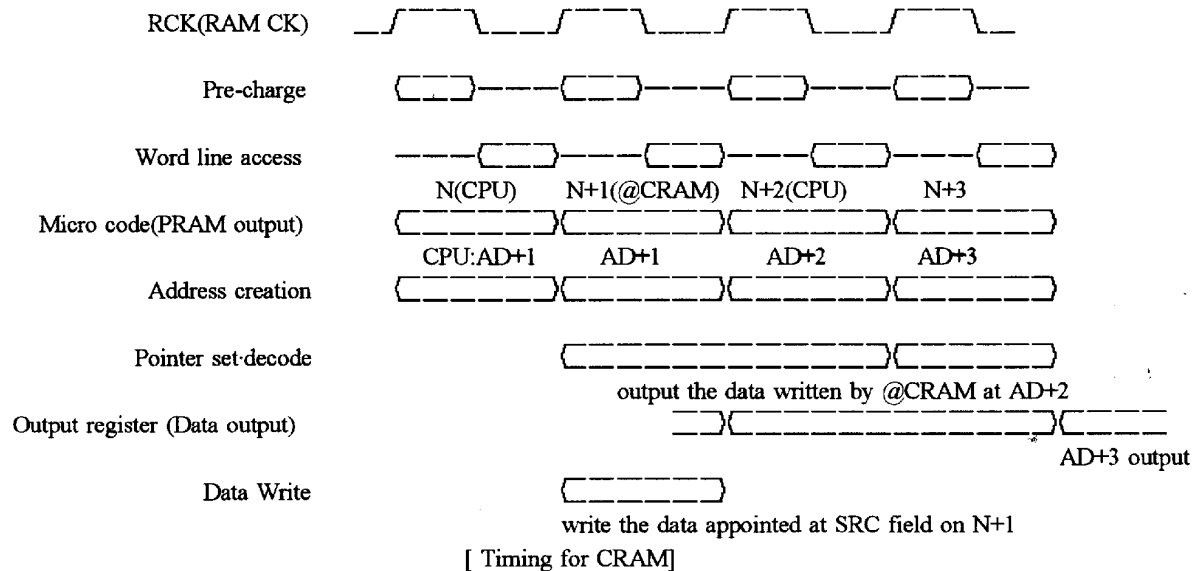
Temporary register is a 24-bit register to store the data of DBUS. The 8 registers of TMP0~7 are available. The choice of temporary register to input the data is done at DST field, and to output the data to DBUS is done at SRC field. The data transport of inter- temporary register (ex: TMP0→TMP3) can be also done through DBUS.

<The List of Temporary Register Command>	
TMP0 : Output TMP0 to DBUS	@TMP0 : Input the data of DBUS to TMP0
TMP1 : Output TMP1 to DBUS	@TMP1 : Input the data of DBUS to TMP1
TMP2 : Output TMP2 to DBUS	@TMP2 : Input the data of DBUS to TMP2
TMP3 : Output TMP3 to DBUS	@TMP3 : Input the data of DBUS to TMP3
TMP4 : Output TMP4 to DBUS	@TMP4 : Input the data of DBUS to TMP4
TMP5 : Output TMP5 to DBUS	@TMP5 : Input the data of DBUS to TMP5
TMP6 : Output TMP6 to DBUS	@TMP6 : Input the data of DBUS to TMP6
TMP7 : Output TMP7 to DBUS	@TMP7 : Input the data of DBUS to TMP7

■ Coefficient RAM(CRAM)

This is a RAM to store coefficient data for such as digital filter, and can be written the data through CBUS/DBUS. 3 ways are prepared for writing. The first way is to be loaded from such as microcomputer at reset of this LSI. The second way is to write the 16 data written on microcomputer buffer at running state. The last way is writing from DBUS, that is controlled by appointing at DST field. Output can be done to multiplier directly or to DBUS(lower 8 bits are "0"). The capacity of memory is 256 word × 16-bit. Two pointers are prepared. CP0 is reset to the address"0(HEX)" and CP1 is reset to "80(HEX)" every sampling cycle, and appointment of pointer is set to CP0. The address is able to increment(+1) and to decrement(-1). By load command, it is able to load the DBUS data directly as pointer value. CPC command not only change the pointer but also does increment of the pointer change from. For example, in the case of changing the pointer from CP0 to CP1, the change CP0 → CP1 and increment of address of CP0 are done. The timing is shown below.

<List of CRAM Relational Command>	
CPC:	Pointer change(CP0 → CP1, CP0+1 ; CP1 → CP0, CP1+1)
CPU:	Increment of address(+1)
CPD:	Decrement of address(-1)
CRAM:	Output the data to DBUS
@CP0:	Load the data to CRAM-CP0 pointer (for address)
@CP1:	Load the data to CRAM-CP1 pointer (for address)
@CRAM:	Write DBUS data



It is explained below how those timing go in actual program.

```

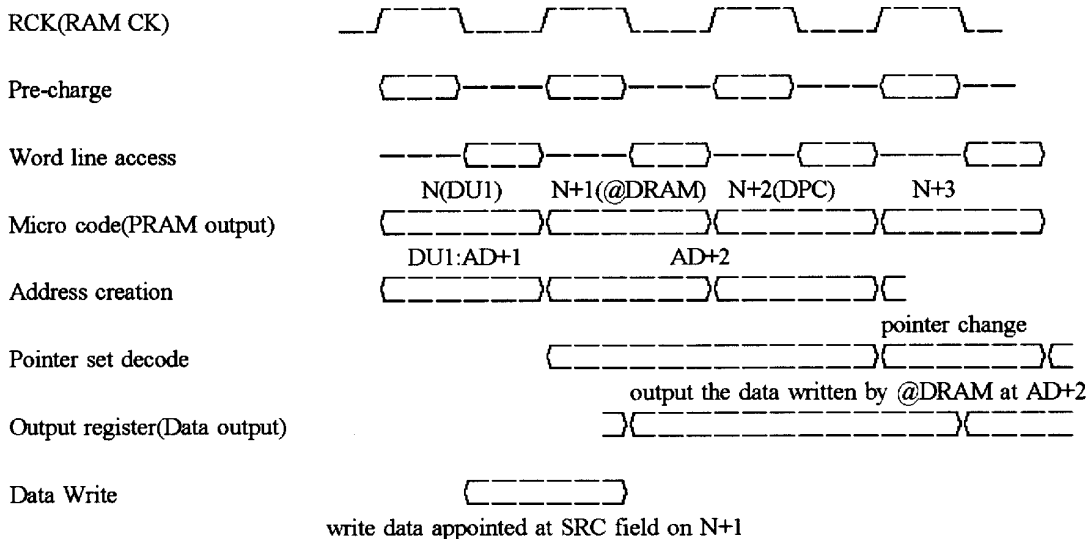
,OP,      ,,CPU,,,      ,      ;be able to output to DBUS and multiplier(CR) 2 steps after
,OP,      ,,      ""      ,      ;
,OP,CR*DR ,,CPU,,,CRAM,      ;
,OP,      ,,      ""      , @CRAM ;write the data of TMP0 to the address made 1step before by CPU
,OP,CR*DR ,,      ""      ,      ;output the data written 1step before by @CRAM to CR and DBUS
,OP,      ,,CPC,,,      ,      ;
,OP,      ,,      ""      ,      ;
,OP,      ,,      ""      ,      ;output the data of pointer changed 2 steps before by CRC
,OP,      ,,      ""      ,      ;operate with the changed pointer until next CPC is executed
    
```

■ Data RAM(DRAM)

Data RAM is written through the DBUS, and is read on multiplier and DBUS directly. The capacity of memory is 128 word × 24 bit, and two memory pointers are prepared. The pointers of DP0 and DP1 are used after setting to command register from outside before starting. The two method of addressing are prepared, the linear-addressing method which starts with DP0:00H and DP1: 40H, and the ring-addressing method which increases start address for every sampling cycle. When this ring-addressing is chosen, the address is added "1" for every sampling (start of DP0 address:00→01→02→03→04……). The starting pointer appointment for every sampling cycle is chosen to DP0. The address is able to increment(+1,+2,+3) and to decrement(-1,-2,-3). By load command, it is able to load the DBUS data directly as pointer value. On using this load command, or loading DBUS data to pointer, the value(loaded value + starting address at ring addressing method, loaded value at linear-addressing method) is loaded to pointer. DPC command executes the change of pointer, at the same time the increment of changed pointer. For example , when the pointer is changed from DP0 to DP1, not only the change of DP0→DP1 but also the increment of address of DP0 are done. The timing of it is shown below.

<The List of DRAM Relational Command>

DPC: change pointer(DP0→DP1,DP0+1 ; DP1→DP0,DP1+1)
 DU1: address+1 DD1: address-1
 DU2: address+2 DD2: address-2
 DU3: address+3 DD3: address-3
 DRAM: output the data to DBUS(at the same time to selector of multiplier)
 @DP0: load the DBUS data to DRAM-CP0 pointer
 @DP1: load DBUS data to DRAM-CP1 pointer
 @DRAM: write DBUS data



[DRAM Timing]

It is explained below how the timing of previous page is go in actual program.

```

,OP,      ,,DU1,,      ,      ;be able to output for DBUS and multiplier(DR) 2 steps after.
,OP,      ""          ,      ;
,OP,CR*DR ,,DU1,,DRAM,      ;
,OP,      ,,      ,,TMP0 ,@DRAM ;write the value of TMP0 to the address made 1 step before by DU1
,OP,CR*DR ,,      ,      ;write the data written 1 step before by @DRAM to DR and DBUS.
,OP,      ,,DPC,,      ,      ;
,OP,      ""          ,      ;
,OP,      ""          ,      ;output the data of pointer changed 2 steps before by DPC.
,OP,      ""          ,      ;operation with changed pointer until the next DPC is executed
    
```

External RAM Control Unit

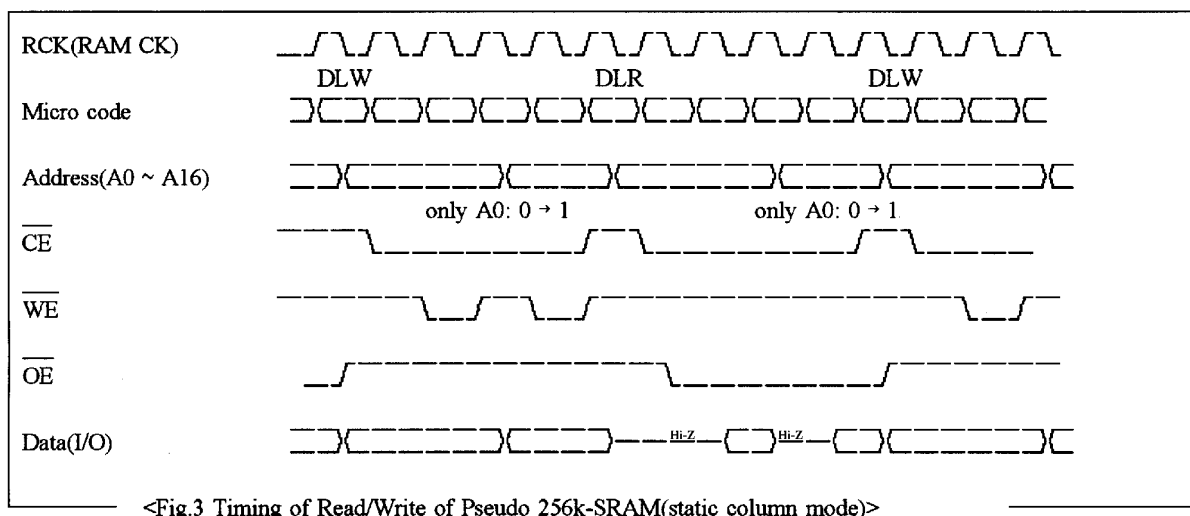
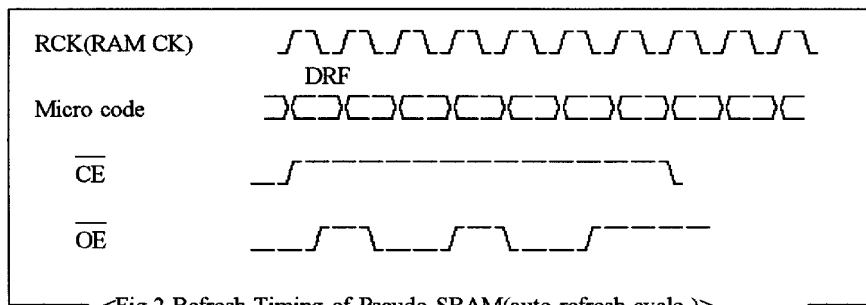
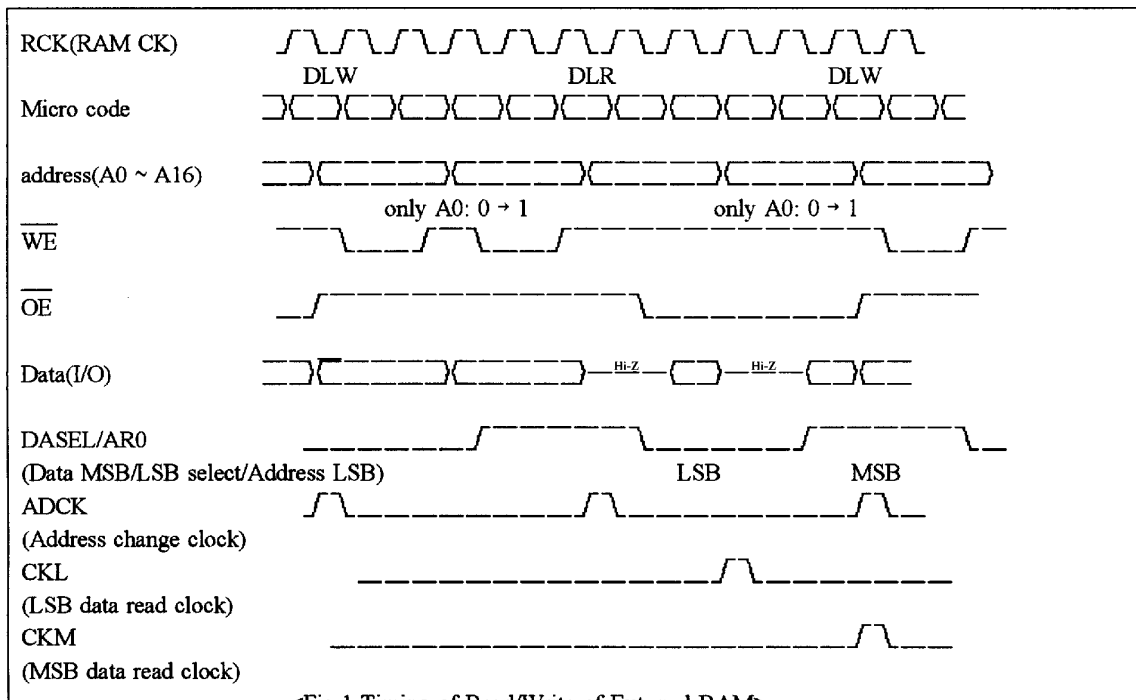
This unit controls the creation of write/read address, the RAM controlling signal and the receiving/transferring of 16-bit delay data. 32k,128k×8-bit memories are used for SRAM and Pseudo SRAM, both or one of 64K and 256k ×4-bit memories are used for DRAM. Addresses are received from OFRAM(40word × 16bit) data or inner calculation data, i.e. DBUS data. The writing for external memory is done from small address number (00→01→02→03……) with ring address method.

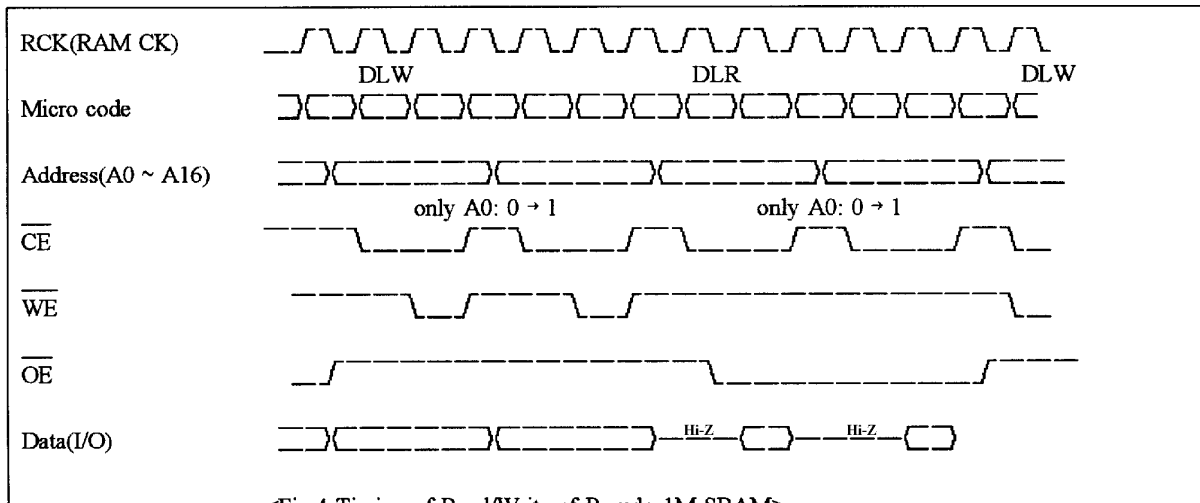
In the case of using OFRAM, the relative address is read from OFRAM in order of execution, and the real address is calculated. So it needs to write the address data to OFRAM in order of execution. Each external memory access requires 5 cycles of step DSP instruction at SRAM,P-SRAM(256k), and 6 cycles at DRAM,P-SRAM(1M). Writing of data to OFRAM is loaded from microcomputer or other unit at reset of this LSI. At running state of LSI, if first address of changing data is appointed, 16 data can be automatically changed at maximum in order of set address. When all data is changed, this command is automatically canceled . At the case of using CRAM or internal calculation data(set the address by @DADR), after 2 cycles from @DADR command execution, the execution of read/write command becomes be possible, on this time OFRAM does not read next data. The maximum access number of times of memory are 76 for SRAM and Pseudo SRAM(256k) at 384fs, 51 at 256fs(DRAM, Pseudo SRAM(1M): 64/384fs, 42/256fs), and access time of usable memory is due to input frequency of master clock(XTI) and sort of RAM for use, refer to switching features described in 18 - 19 page. The timings are shown in Fig.1 for external RAM and SRAM, Fig.2, 3 for Pseudo 256k-SRAM at using auto-refresh and static column mode read/write cycle, Fig.2 and 4 for Pseudo 1M-SRAM at using auto-refresh, read cycle and write cycle (OE clock), Fig.5,6 for DRAM at using CAS before RAS refresh cycle and page mode read/write cycle.

<Address of Delay Data>

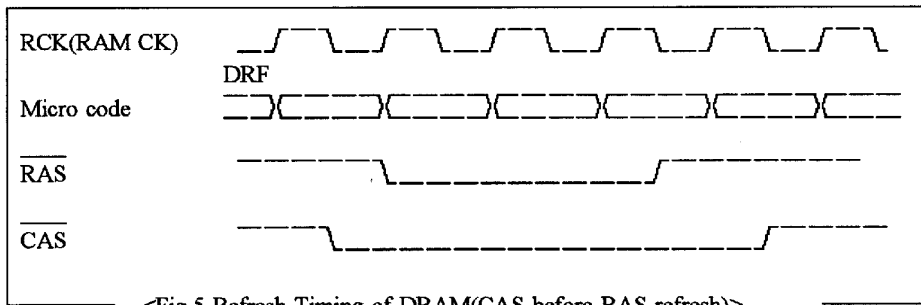
```

* Real address = OFRAM data + sampling frequency after RUN
               = calculation data + sampling frequency after RUN
* Relation of Write/Read address
  appointed address: 2000H(Write)
  ↑
  When the appointment of writing is not exist between these address,
  Delay data of 2000H(Write) is read.
  ↓
  appointed address: 1000H(Read)
  Delay time of these above = (Write address-Read address) × ( 1/fs )
                          (2000H-1000H) × (1/44100) = 92.9msec
    
```

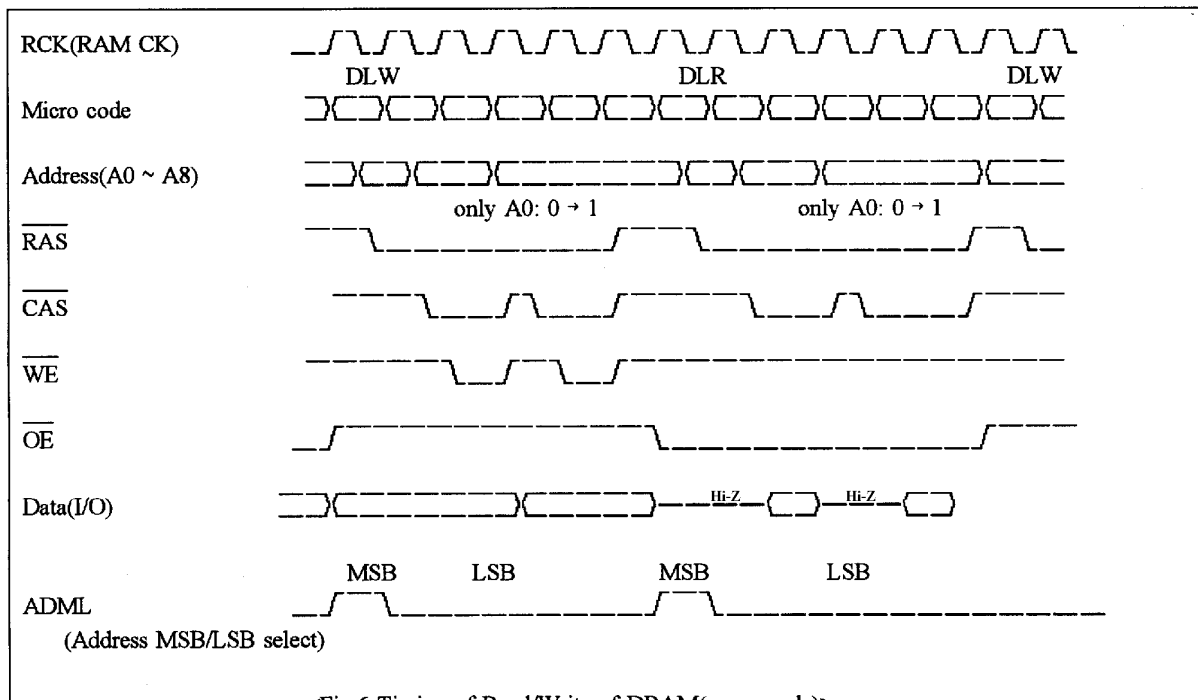




<Fig.4 Timing of Read/Write of Pseudo 1M-SRAM>



<Fig.5 Refresh Timing of DRAM(CAS before RAS refresh)>



<Fig.6 Timing of Read/Write of DRAM(page mode)>

The controlling of reading/writing are executed by micro code and have functions as follows.

<List of Control Command Related External RAM>

DLR	:	read RAM
DLW	:	write RAM
DRF	:	RAM refresh(needed at using DRAM or Pseudo SRAM)
IOR	:	output RAM data to upper 16 bits of DBUS
IORL	:	output RAM data to lower 8 bits of DBUS
@IOR	:	output upper 16 bits of DBUS data to data register for writing
@IORL	:	output lower 8 bits of DBUS data to data register for writing (at external RAM-4bit, output the middle 8 bits to data register for writing)
@DADR	:	use upper 16bits of DBUS data for address
@OFF	:	upper 8bits of DBUS data to pointer

■ Peak Detection

Peak detection finds upper 16 bits of DBUS data as binary. The relation of input data and transformed value which shows the size of data is as follows. If this value is used as indirect shift of @SHR command, data can be normalized.

input data	transformed value
01***** / 10*****	00000
001***** / 110*****	00001
0001***** / 1110*****	00010
00001***** / 11110*****	00011
000001***** / 111110*****	00100
0000001***** / 1111110*****	00101
00000001***** / 11111110*****	00110
000000001***** / 111111110*****	00111
0000000001***** / 1111111110*****	01000
00000000001***** / 11111111110*****	01001
000000000001**** / 111111111110****	01010
0000000000001*** / 1111111111110***	01011
00000000000001** / 11111111111110**	01100
000000000000001* / 111111111111110*	01101
00000000000000001 / 1111111111111110	01110
00000000000000000 / 1111111111111111	01111

■ **DBUS(Data BUS)**

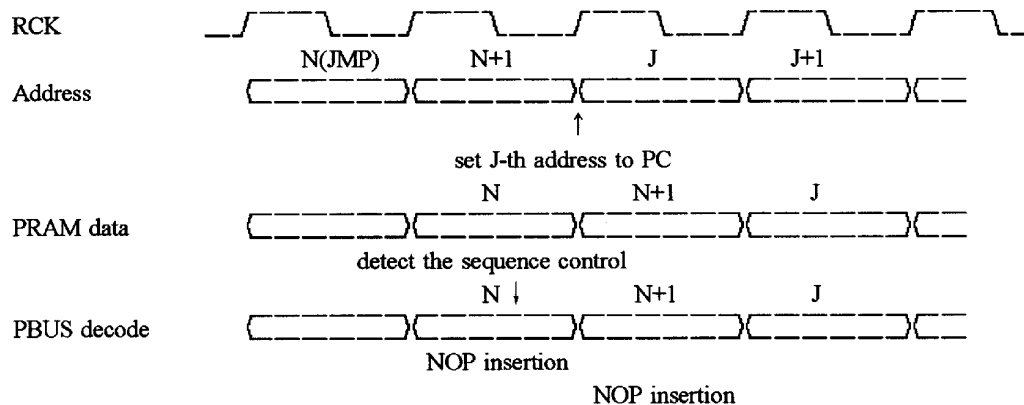
When output data to DBUS is less than 24 bits, the "0" data is supplemented from LSB side. Except @IORL command, all input from DBUS is taken out the needed data length from MSB side. The @IORL inputs lower 8 bits of DBUS data. When SRC field is NON or reset state, DBUS is set to "L".

■ **Sequence Control Unit**

It consists of 384word×32-bit PRAM(SRAM), micro program sequencer, 5-bit loop counter, 24-bit BUS inter-connection, 8-bit return address register and 8-bit external condition register(IFCON). the writing data to PRAM, which stores 32-bit horizontal macro command, is loaded at reset of DSP unit by such as microcomputer. By this 32-bit horizontal micro command, the command is read at calculation command, and multiplication, addition, subtraction and data transfer are operated in parallel. The micro program sequencer consists of 9-bit program counter, 1 level stack register, pipeline instruction register and instruction decoder, LOOP, CAL, JMP, END, conditional JMP, external conditional jump and load are executed. The stack is 9-bit and 1 level, and stores the return address when subroutine call command is executed. By using this subroutine and LOOP, although program capacity is 384 word, can be done 574 steps of operation at maximum when master clock is 576fs (sampling frequency is 32kHz only). Using this feature, the loop command is convenience for reading/writing of external RAM. As the stack is 1 level, it is not able to make call/loop command in the call/loop sentence. But conditional jump is able to use in subroutine. When you make the program in that the jump is not return to the return address in call sentence, AKM can not guarantee how does this DSP's action. This is same in loop command. At using that, it can not return to the address stacked at call command. The BUS inter-connection between PBUS and DBUS realizes that the 24-bit data is done the literal load to each register on DBUS by instruction. All sequence commands are 1 word commands(32-bit), and the time taken from the output of program counter to the end of command execution is different in each command, but most of this is taken 2~3 machine cycles. The timing of each instructions are shown below.

☆ Jump

The timing of jump is shown in the figure below. As the figure shows, 1 machine cycle of NOP is inserted before jumping from the address of jump command to appointed address.



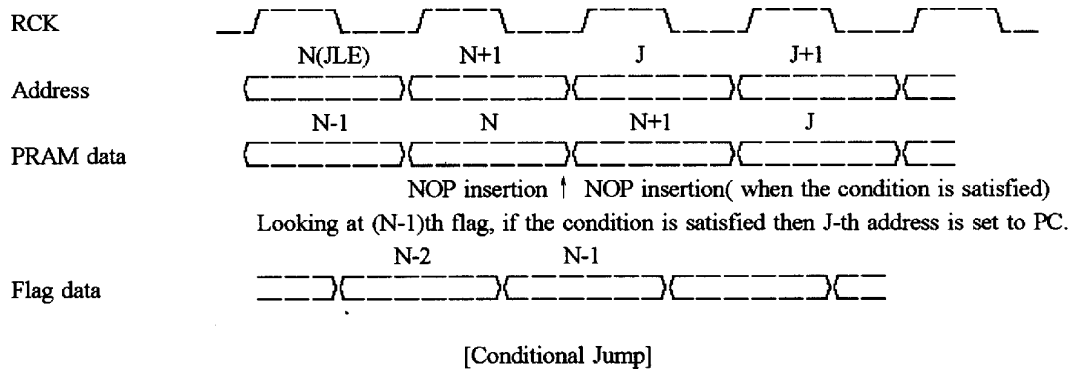
* NOP insertion: set the codes of each fields to "0"

[Jump]

☆ Conditional Jump

The conditional jump is shown in the figure below. By this command, condition flag(SGF, OVF, ZRF of ALU) is judged before jump, and if it is satisfied then the address of jump destination is set. Then 1 machine cycle of NOP is inserted similar to jump. And if it is not satisfied then NOP is not inserted, and next address command is executed. The list of conditional jump is shown below.

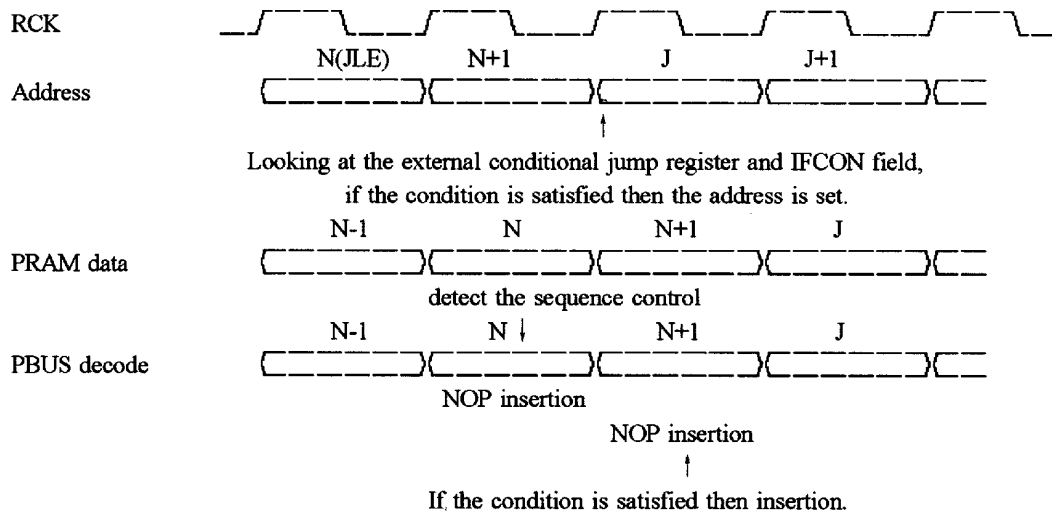
<List of Conditional Jump Command>	
condition	ALU(A-B)
JLE : SGF=1 or ZRF=1	; A ≤ B
JLS : SGF=1	; A < B
JGE : SGF=0	; A ≥ B
JGR : SGF=0 and ZRF=0	; A > B
JZR : ZRF=1	; A = B
JNZ : ZRF=0	; A ≠ B
JOV : OVF=1	
JNO : OVF=0	



☆ External Conditional Jump (JX)

The timing of external conditional jump is shown as follows. This command inputs the jump condition from outside of LSI to 8-bit conditional jump register. When one of "1" of each bits of it and external conditional register is coincident, the jump is executed. If it is satisfied, the address of jump destination is set. Then one machine cycle of NOP is inserted similar to jump. And if the condition is not satisfied, NOP is not inserted, next address command is executed.

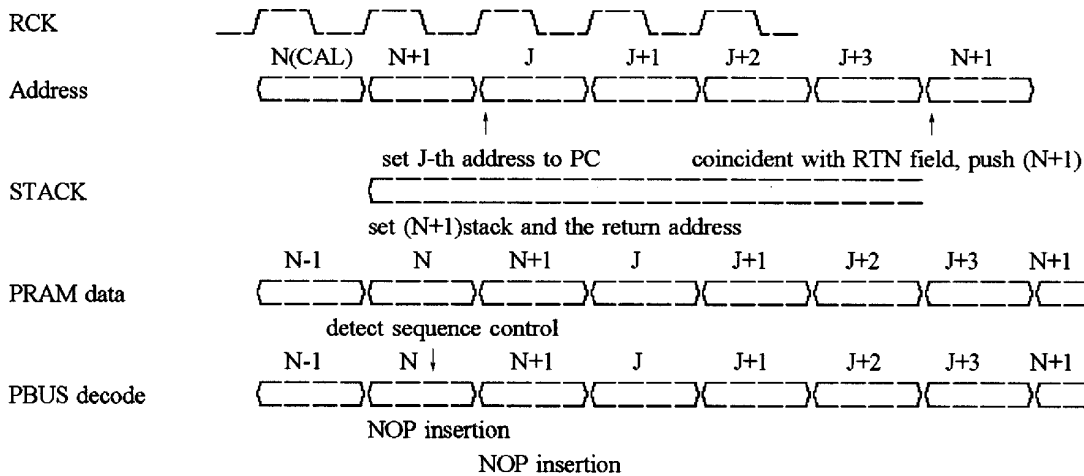
The data is set to conditional jump register at rising edge of LRCK in motion or reset.



[External Conditional Jump]

☆ Subroutine Call (CL)

The timing of subroutine call is shown as follows. This command stacks next address before address of call destination, NOP is inserted. The preparation for pushing the stacked address is done on return address, and stack address is executed after return address. Then NOP is not inserted.

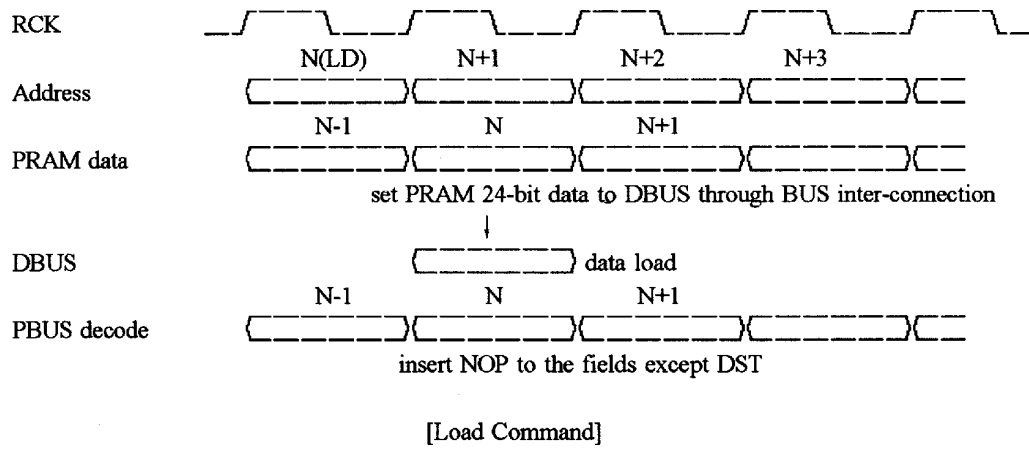


*return address= the address appointed at RTN field on program

[Subroutine Call]

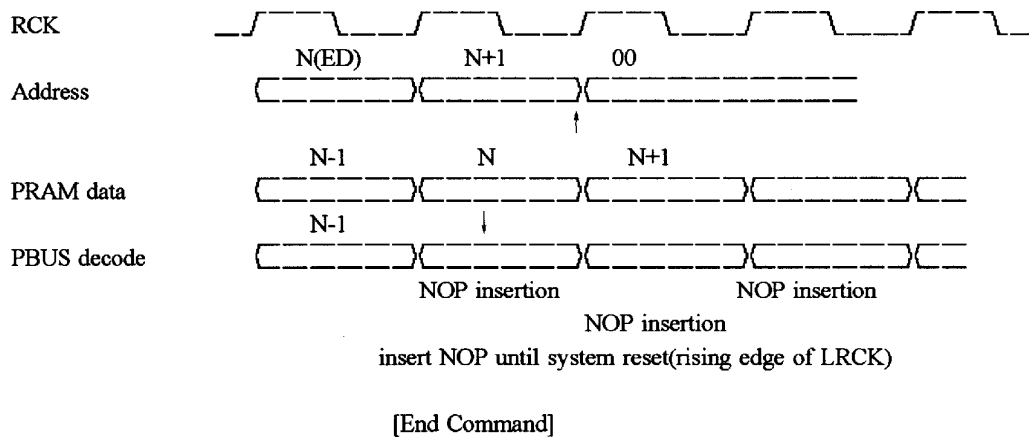
☆ Load Command (LD)

The timing of load command is shown in the figure below. This command loads the data to objective register through the BUS inter-connection and DBUS.



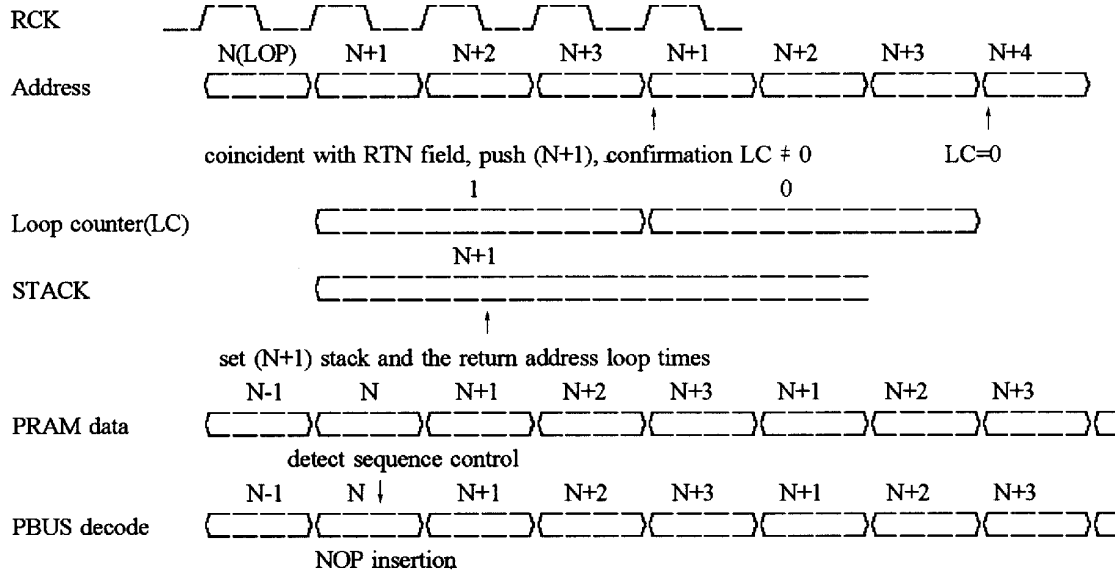
☆ End Command (ED)

The timing of end command is shown in the figure below. This command inserts NOP until the rising edge of LRCK.



☆ Loop Command

The timing of loop command is shown in the figure below. This command operates the programs from next command of the appointed sequence command for loop to the address appointed to return register loop times(maximum 31(1Fh) times) over. NOP is not inserted at each the return.



- * loop times = The times described in program
- * If (N+1) is described to RTN field then it works same as the repeat command.

[Loop]

■ Input/Output Function

DSP unit of AK7712A has 4 channels of digital input port and 6 channels of digital output port. 2 channels of input ports (SDIN2) can be connected to internal ADC, 2 channels of output ports (SDOUT2) can be connected to internal DAC1. And another 2 channels of output ports(SDOUT3) can be connected to internal DAC2. The command related to these above is as follows.

<List of ADC/DAC Command>	
INL1(DINL):	SDIN1-Lch→DBUS (connect SDIN1)
INR1(DINR):	SDIN1-Rch→DBUS (connect SDIN1)
INL2(ADCL):	SDIN2-Lch→DBUS (connect SDIN2)
INR2(ADCR):	SDIN2-Rch→DBUS (connect SDIN2)
@OTL1(@DOTL):	DBUS→SDOUT1-Lch register (connect SDOUT1)
@OTR1(@DOTR):	DBUS→SDOUT1-Rch register (connect SDOUT1)
@OTL2(@DAL1):	DBUS→SDOUT2-Lch register (connect SDOUT2)
@OTR2(@DAR1):	DBUS→SDOUT2-RCh register (connect SDOUT2)
@OTL3(@DAL2):	DBUS→SDOUT3-Lch register (connect SDOUT3)
@OTR3(@DAR2):	DBUS→SDOUT3-Rch register (connect SDOUT3)

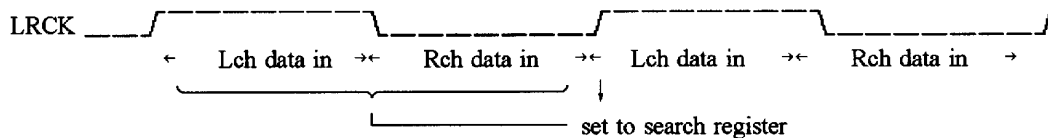
1) Digital Serial Input

The AK7712 provides 4 channels of digital serial input unit, and each interface format is as follows. This appointment is done at control register.

SDIN1: MSB justified 24/16-bit, LSB justified 16-bit

SDIN2: MSB justified 20/16-bit

The data which is input from SDIN1(SDIN2) is distributed to each register DINL•DINR(ADCL•ADCR) at each rising and falling edge of LRCK, and these data are output to DBUS 1 sampling cycle after. According to each data length, the data is supplemented by "0" to lower bit, and is output to DBUS following SRC field.



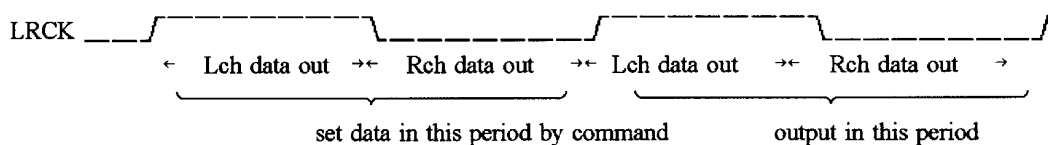
2) Digital Serial Output

The AK7712 provides 6 channels of digital serial input unit, and each interface format is mentioned below. This appointment is done at control register.

SDOUT1: MSB justified 24/16-bit, LSB justified 16-bit

SDOUT2: MSB justified 20/16-bit

Data is loaded to register by SRC field. MSB justified interface output the data taken 1 cycle before. At the rising edge of LRCK both data of Lch and Rch are set to parallel/serial transformation register from upper bit of DBUS. In the case above, it can not be guaranteed that the output command of last 4 steps of execution step in program are output by the timing mentioned below.



■ Serial Data Interface

The clocks which are needed are XTI, LRCK(fs) and BCLK(32fs,48fs,64fs) at slave mode, and only XTI at master mode. About the set-up for each format, please refer the section of control register. At master mode,the clock needed is only XTI. Once input the XTI then LRCK(fs) and BCLK(64fs) are output. The input data is synchronized with "↑" of BCLK. The output data is synchronized with "↓"of BCLK..

1.SDIN1, SDOUT1

1) Master Mode (64fs)

- SDIN1 (Input)
Control Register setting

	C17, C16	C15, C14
16bit MSB justified	0 , 0	0 , 0
24bit MSB justified	0 , 0	0 , 1
16bit LSB justified	0 , 0	1 , 0
24bit LSB justified	0 , 0	1 , 1

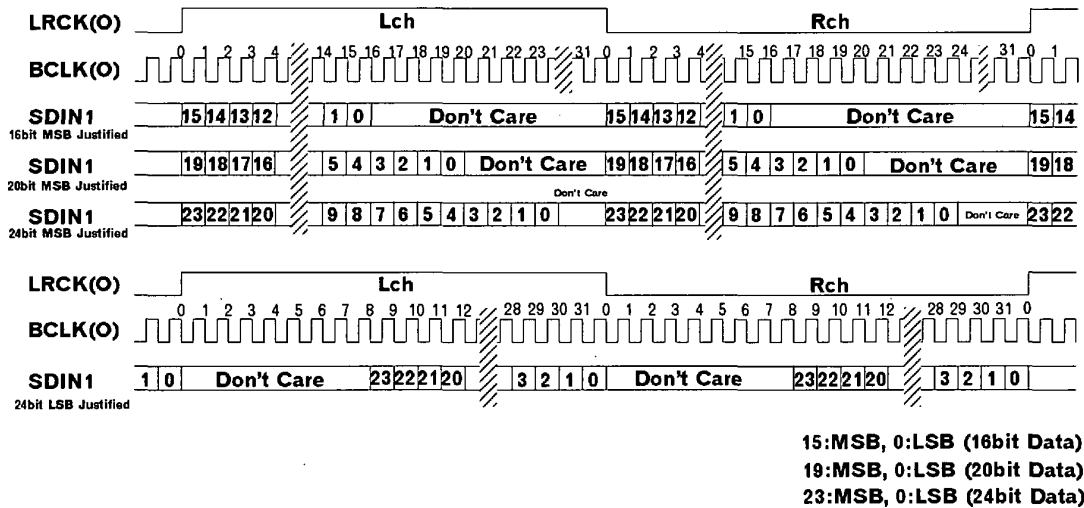


Fig.7 SDIN1 Master Mode Input Format

- SDOUT1 (Output)
Control Register setting

	C17, C16	C13, C12
16bit MSB justified	0 , 0	0 , 0
24bit MSB justified	0 , 0	0 , 1
16bit LSB justified	0 , 0	1 , 0

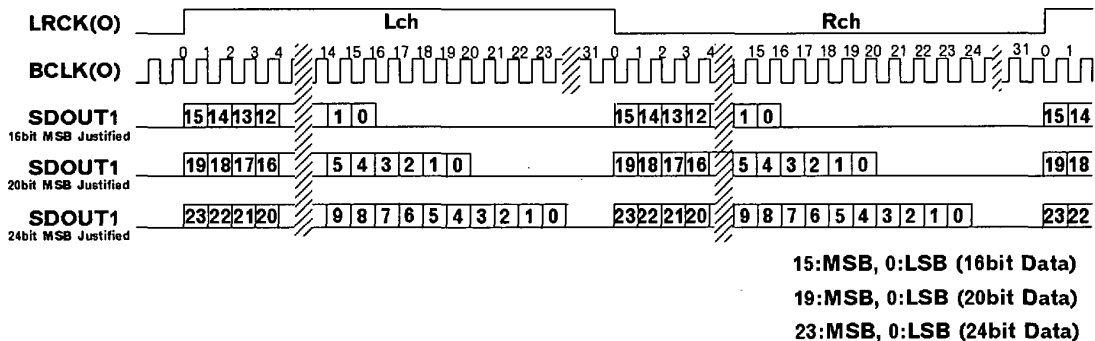


Fig.8 SDOUT1 Master Mode Output Format

2) Slave Mode
[64fs]

- SDIN1 (Input)
Control Register setting

	C17, C16	C15, C14
16bit MSB justified	0 , 0	0 , 0
24bit MSB justified	0 , 0	0 , 1
16bit LSB justified	0 , 0	1 , 0
24bit LSB justified	0 , 0	1 , 1

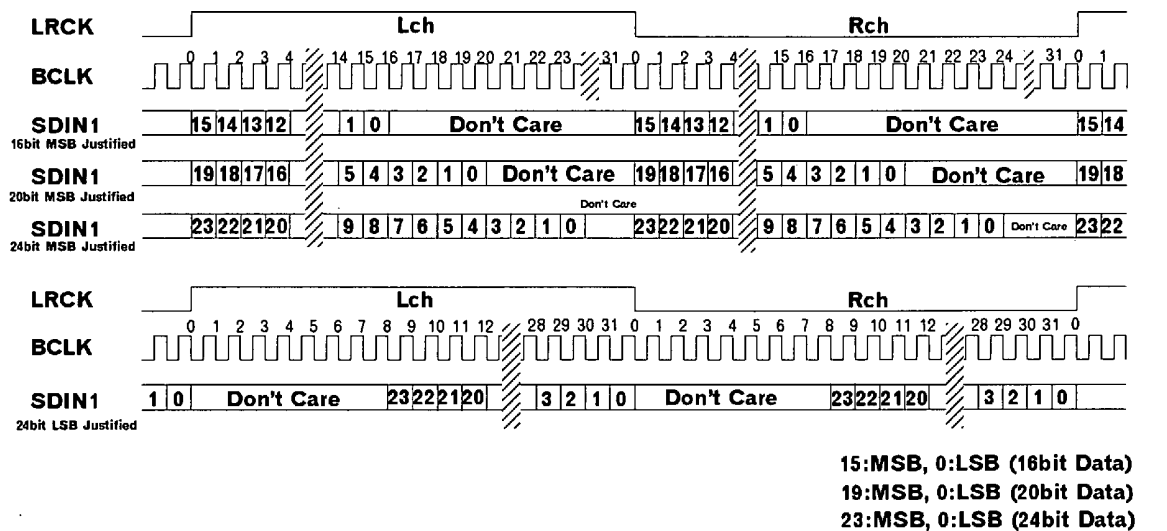


Fig.9 SDIN1 Slave Mode Input Format (64 fs)

- SDOUT1 (Output)
Control Register setting

	C17, C16	C13, C12
16bit MSB justified	0 , 0	0 , 0
24bit MSB justified	0 , 0	0 , 1
16bit LSB justified	0 , 0	1 , 0

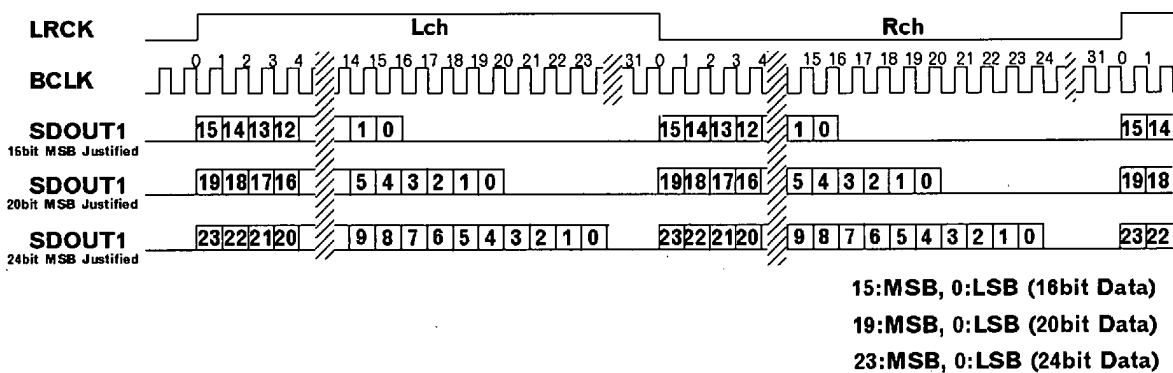


Fig.10 SDOUT1 Slave Mode Output Format (64fs)

[48fs]

- SDIN1 (Input)
Control Register setting

	C17, C16	C15, C14
16bit MSB justified	1, 0	0, 0
24bit MSB justified	1, 0	0, 1
16bit LSB justified	1, 0	1, 0

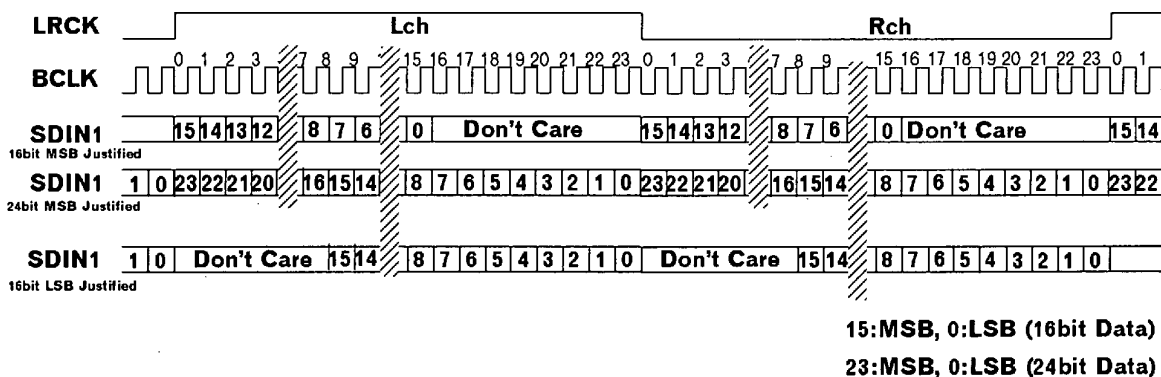


Fig.11 SDIN1 Slave Mode Input Format (48 fs)

- SDOUT1 (Output)
Control Register setting

	C17, C16	C13, C12
16bit MSB justified	1, 0	0, 0
24bit MSB justified	1, 0	0, 1
16bit LSB justified	1, 0	1, 0

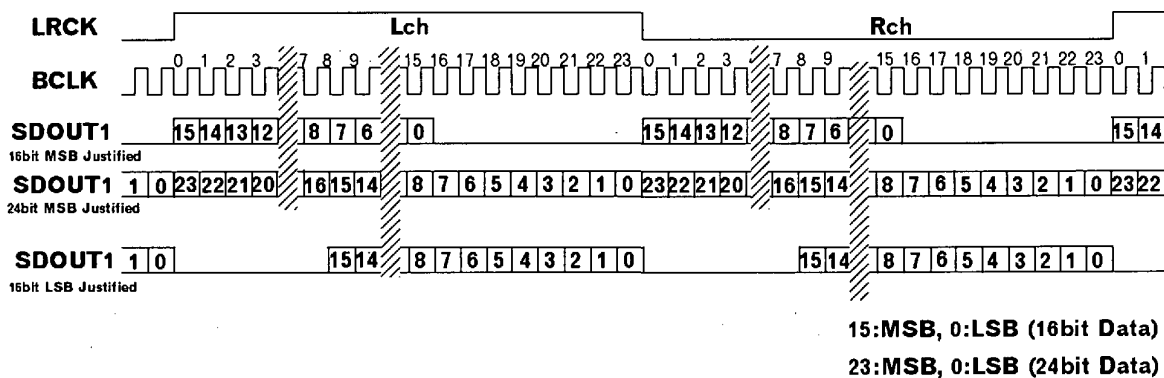


Fig.12 SDOUT1 Slave Mode Output Format (48fs)

[32fs]

- SDIN1 (Input)
Control Register setting

	C17, C16	C15, C14
16bit MSB justified	0, 1	0, 0

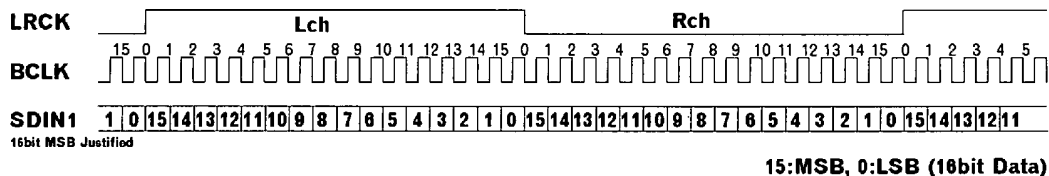


Fig.13 SDIN1 Slave Mode Input Format (32 fs)

- SDOUT1 (Output)
Control Register setting

	C17, C16	C13, C12
16bit MSB justified	0, 1	0, 0

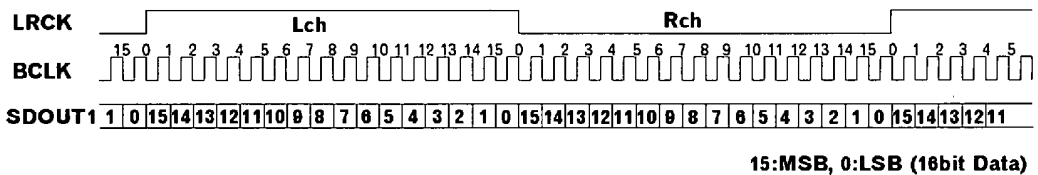


Fig.14 SDOUT1 Slave Mode Output Format (32fs)

2.SDAD, SDIN2

1) Master Mode (64fs)

- SDAD (Output)
- 20bit MSB justified

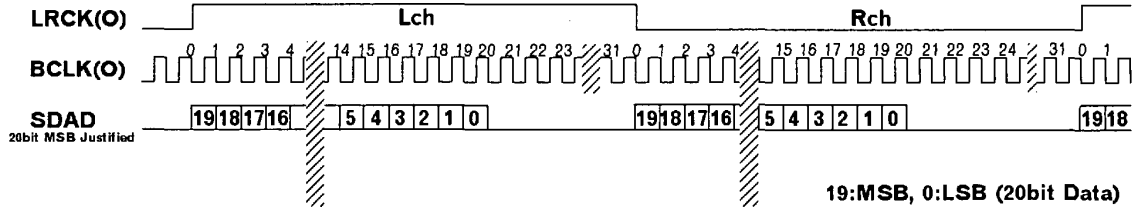


Fig.15 SDAD Master Mode Output Format

- SDIN2 (Input)
- Control Register setting

	C17, C16	C11
20bit MSB justified	0 , 0	0
16bit MSB justified	0 , 0	1

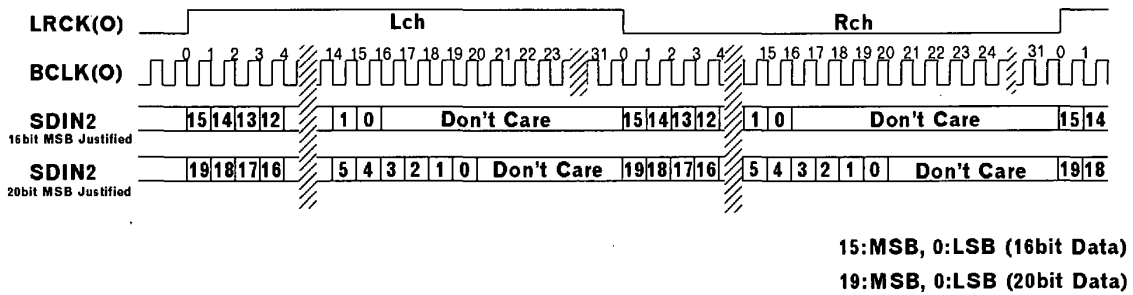


Fig.16 SDIN2 Master Mode Input Format

2) Slave Mode

[64fs]

- SDAD (Output)
20bit MSB justified

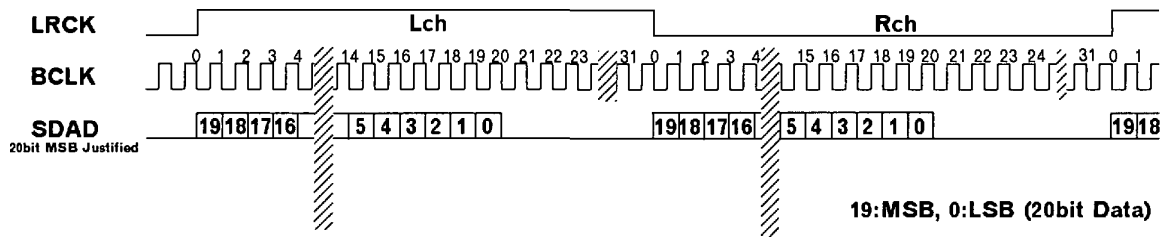


Fig.17 SDAD Slave Mode Output Format (64fs)

- SDIN2 (Input)
Control Register setting

	C17, C16	C11
20bit MSB justified	0 , 0	0
16bit MSB justified	0 , 0	1

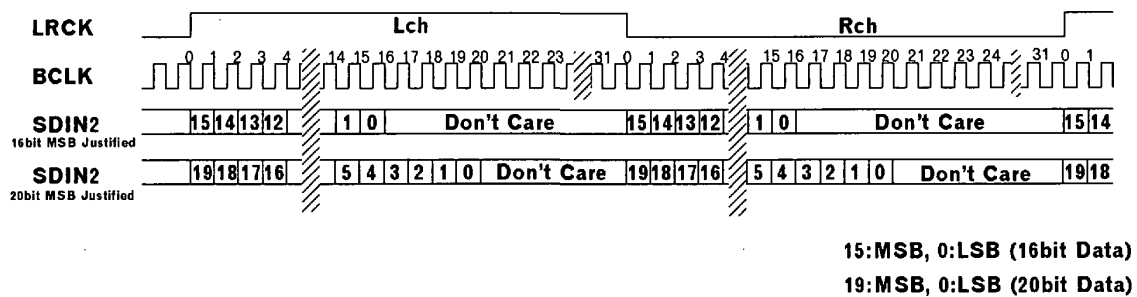


Fig.18 SDIN2 Slave Mode Input Format (64fs)

[48fs]

- SDAD (Output)
20bit MSB justified

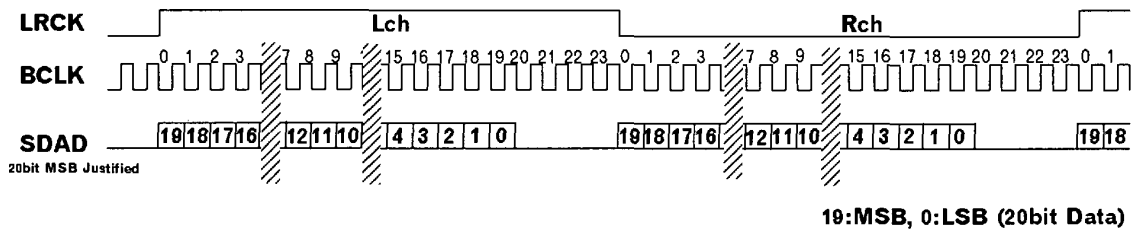


Fig.19 SDAD Slave Mode Output Format (48fs)

- SDIN2 (Input)
Control Register setting

	C17, C16	C11
20bit MSB justified	1, 0	0
16bit MSB justified	1, 0	1

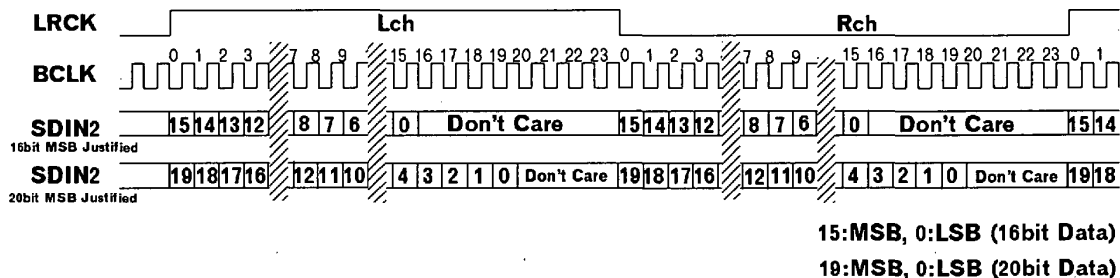


Fig.20 SDIN2 Slave Mode Input Format (48fs)

[32fs]

- SDAD (Output)
16bit MSB justified

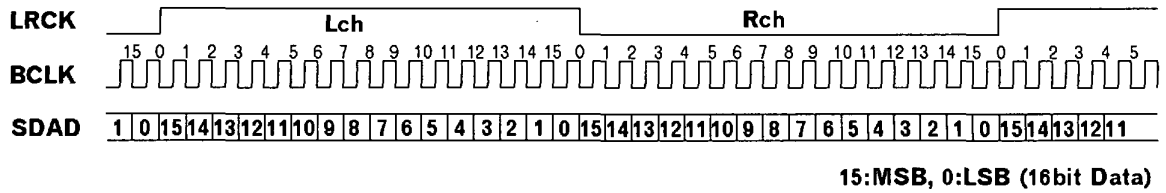


Fig.21 SDAD Slave Mode Output Format (32fs)

- SDIN2 (Input)
Control Register setting

	C17, C16	C11
16bit MSB justified	0, 1	1

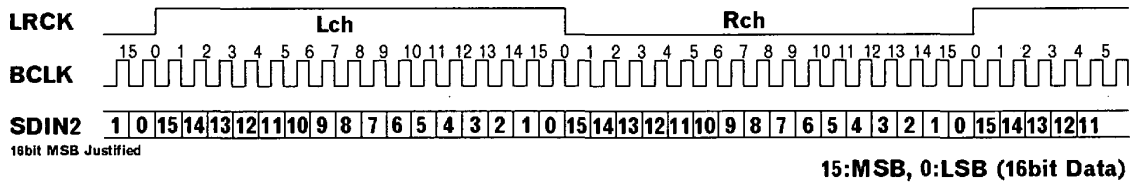


Fig.22 SDIN2 Slave Mode Input Format (32fs)

3.SDOUT2, SDDA

1) Master Mode (64fs)

- SDOUT2 (Output)
Control Register setting

	C17, C16	C10
20bit MSB justified	0 , 0	0
16bit MSB justified	0 , 0	1

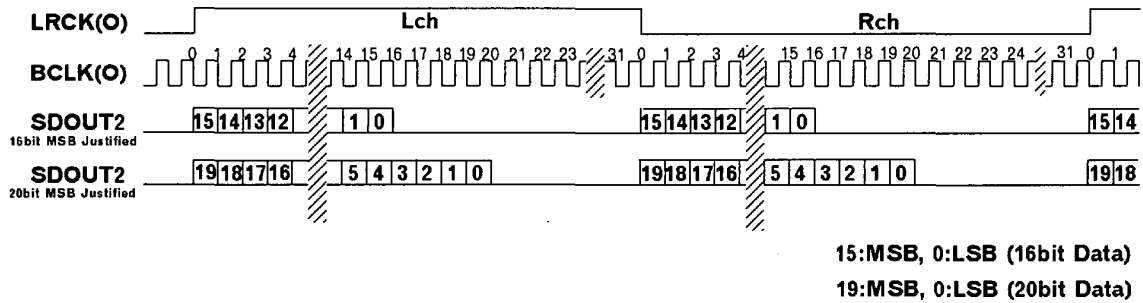


Fig.23 SDOUT2 Master Mode Output Format

- SDDA (Input)
Control Register setting

	C17, C16
20bit MSB justified	0 , 0

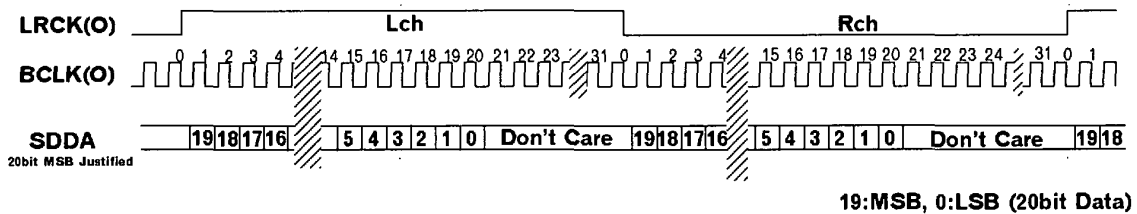


Fig.24 SDDA Master Mode Input Format

2) Slave Mode (64fs)

[64fs]

- SDOUT2 (Output)
Control Register setting

	C17, C16	C10
20bit MSB justified	0 , 0	0
16bit MSB justified	0 , 0	1

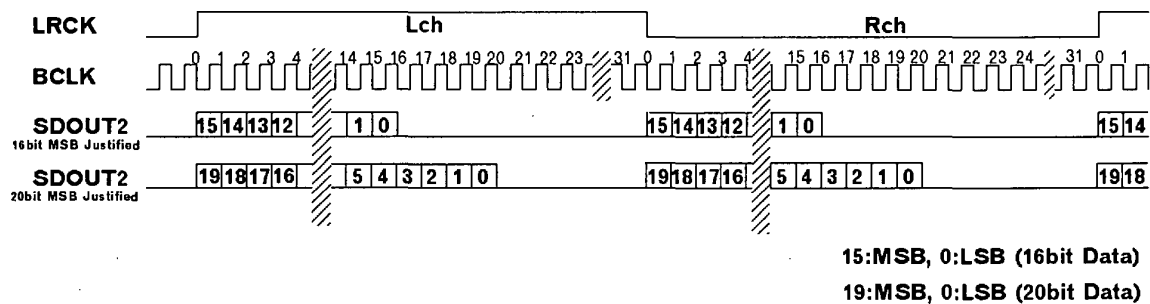


Fig.25 SDOUT2 Slave Mode Output Format (64fs)

- SDDA (Input)
Control Register setting

	C17, C16
20bit MSB justified	0 , 0

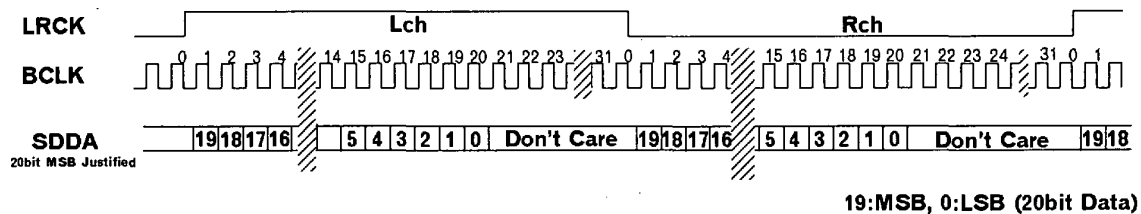


Fig.26 SDDA Slave Mode Input Format (64fs)

[48fs]

- SDOUT2 (Output)
Control Register setting

	C17, C16	C10
20bit MSB justified	1, 0	0
16bit MSB justified	1, 0	1

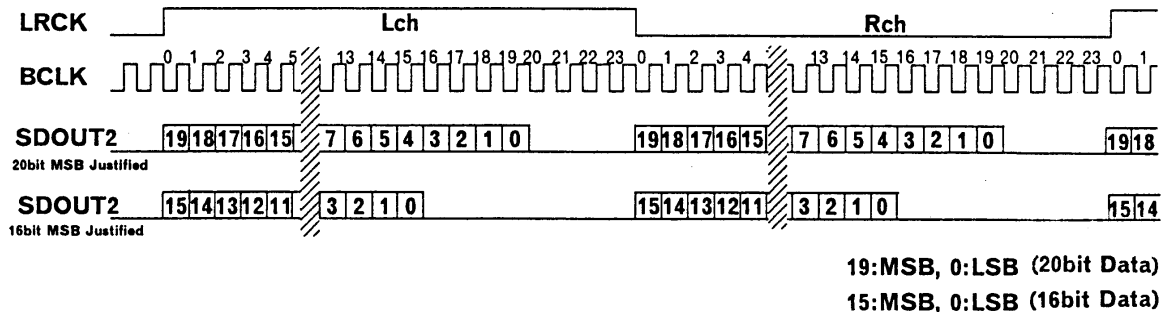


Fig.27 SDOUT2 Slave Mode Output Format (48fs)

- SDDA (Input)
Control Register setting

	C17, C16
20bit MSB justified	1, 0

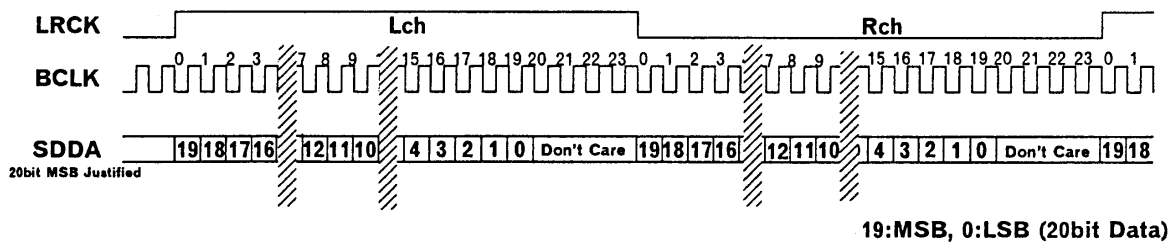


Fig.28 SDDA Slave Mode Input Format (48fs)

[32fs]

- SDOUT2 (Output)
Control Register setting

	C17, C16	C10
16bit MSB justified	0, 1	1

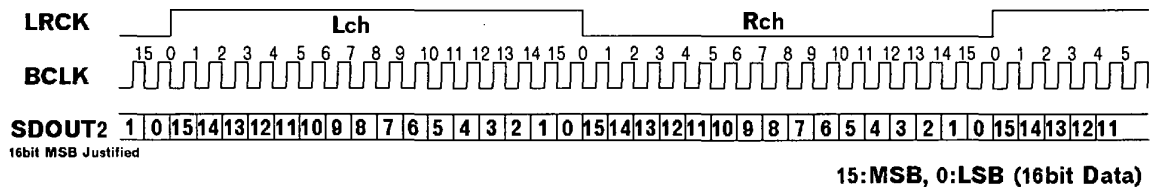


Fig.29 SDOUT2 Slave Mode Output Format (32fs)

- SDDA (Input)
Control Register setting

	C17, C16
20bit MSB justified	0, 1

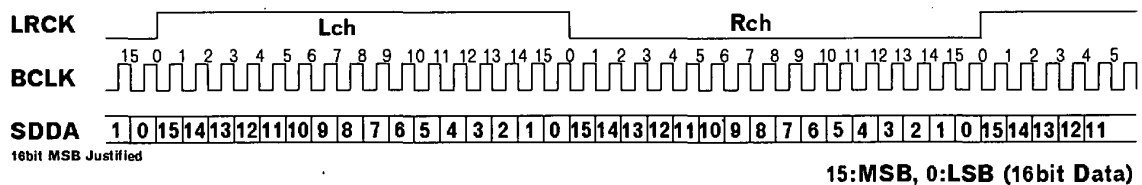


Fig.30 SDDA Slave Mode Input Format (32fs)

4.SDOUT3, SDDA2

1) Master Mode (64fs)

- SDOUT3 (Output)
Control Register setting

	C17, C16
20bit MSB justified	0 , 0

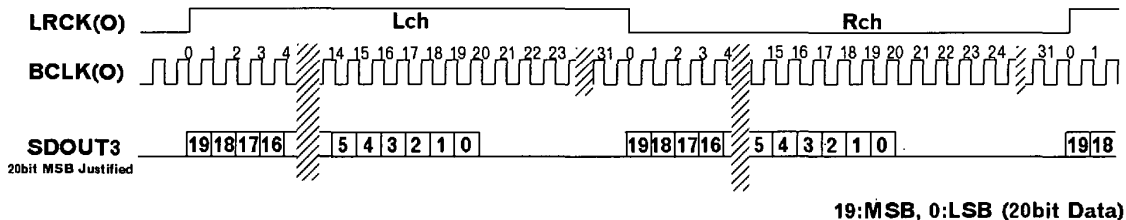


Fig.31 SDOUT3 Master Mode Output Format

- SDDA2 (Input)
Control Register setting

	C17, C16
20bit MSB justified	0 , 0

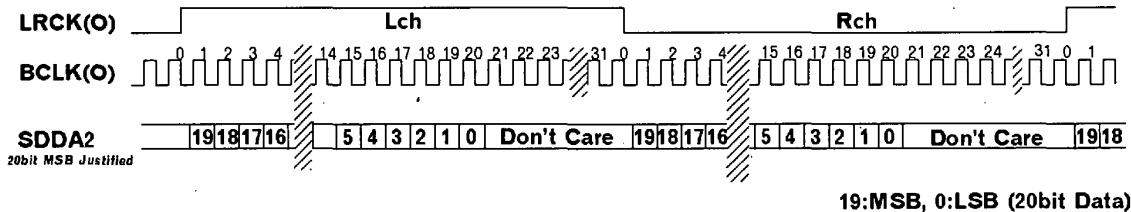


Fig.32 SDDA2 Master Mode Input Format

2) Slave Mode (64fs)

[64fs]

- SDOUT3 (Output)
Control Register setting

	C17, C16
20bit MSB justified	0 , 0

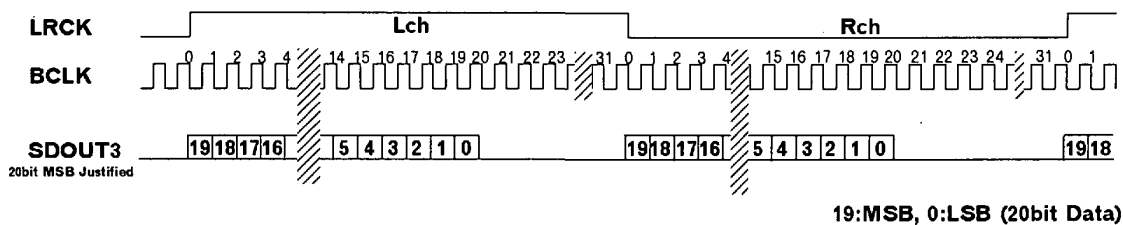


Fig.33 SDOUT3 Slave Mode Output Format (64fs)

- SDDA2 (Input)
Control Register setting

	C17, C16
20bit MSB justified	0 , 0

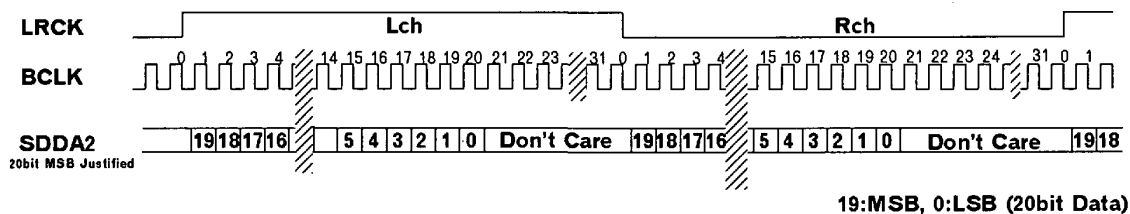


Fig.34 SDDA2 Slave Mode Input Format (64fs)

[48fs]

- SDOUT3 (Output)
Control Register setting

	C17, C16
20bit MSB justified	1, 0

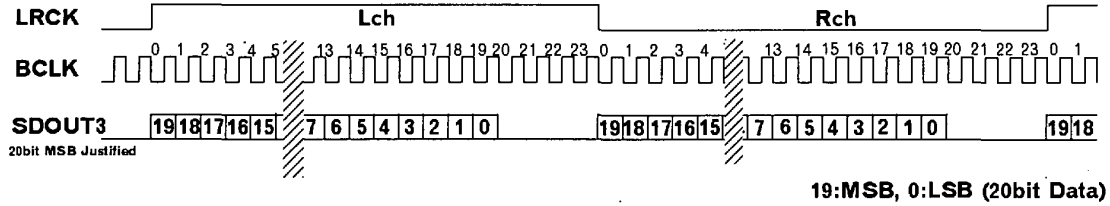


Fig.35 SDOUT3 Slave Mode Output Format (48fs)

- SDDA2 (Input)
Control Register setting

	C17, C16
20bit MSB justified	1, 0

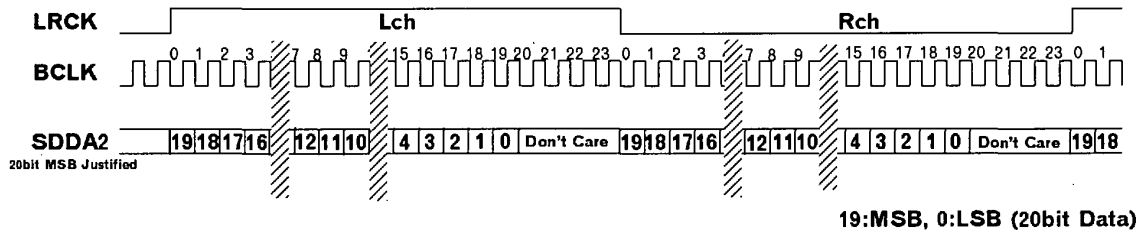


Fig.36 SDDA2 Slave Mode Input Format (48fs)

[32fs]

- SDOUT3 (Output)
Control Register setting

	C17, C16
16bit MSB justified	0, 1

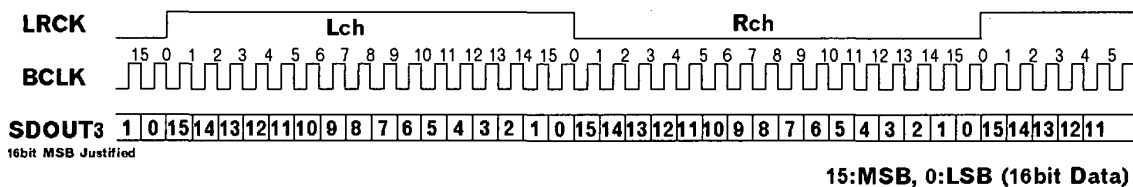


Fig.37 SDOUT3 Slave Mode Output Format (32fs)

- SDDA2 (Input)
Control Register setting

	C17, C16
16bit MSB justified	0, 1

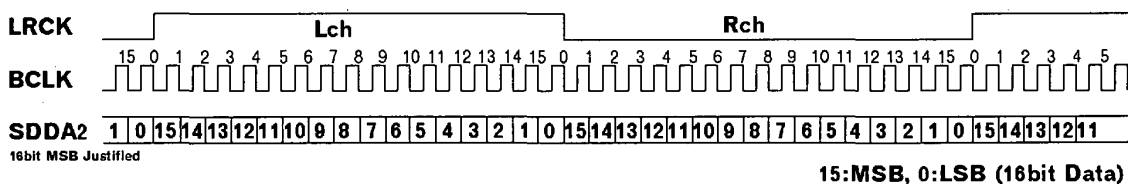


Fig.38 SDDA2 Slave Mode Input Format (32fs)

■ **Microcomputer Interface**

Microcomputer interface is operated with 7 control signals, which are SI(Serial data input), SO(Serial data output), SCLK (Serial data input clock), WRDY(Write Ready), CS(Chip select), \overline{WRQ} (Write Request) and DRDY(Data Ready). All the data is done serial I/O with MSB first. The operating contents are transferred as 8-bit command data shown below, and the appointed operations are executed.

<List of Command Code>		
Write program RAM	[RSPW](at reset) :	code(1 1 0 0 0 0 0 0)
Write code for external conditional jump	[JCON](at run,reset) :	code(1 1 0 0 0 1 0 0)
Write coefficient RAM	[RSCW](at reset) :	code(1 0 1 0 0 0 0 0)
Write coefficient RAM	[RNCW](at run) :	code(1 0 1 0 0 1 0 0)
Write offset RAM	[RSOW](at reset) :	code(1 0 0 1 0 0 0 0)
Write offset RAM	[RNOW](at run) :	code(1 0 0 1 0 1 0 0)
Prepare to write CRAM/OFFRAM	[RNBW](at run) :	code(1 0 0 0 1 0 0 0)
Write control register	[CONW](at reset) :	code(0 0 0 0 0 1 1 0)

1) Writing Program RAM

The writing to program RAM is executed with 7bytes/set at reset. If all the data is transferred, WRDY pin becomes "L", and if the writing to PRAM is finished, it becomes "H" and next data becomes be able to be input. In case of writing data with the continuous address, input the data directly(command code and address are not needed). If it's discontinuous, set \overline{WRQ} pin "H"→"L", and input in the order of command code, address and data.

<Data Transfer Procedure>	
① command code	(1 1 0 0 0 0 0 0)
② address(Upper)	(0 0 0 0 0 0 0 A8)
② address(Lower)	(A7 A0)
③ data	(D31 D24)
④ data	(D23 D16)
⑤ data	(D15 D8)
⑥ data	(D7 D0)

2) Writing Coefficient RAM

The writing coefficient RAM(at reset) is executed with 4bytes/set data. If all the data is transferred, WRDY pin becomes "L", and if the writing to CRAM is finished, it becomes "H" and next data becomes be able to be input. In case of writing data with the continuous address, input the data directly. If it's discontinuous, set \overline{WRQ} pin "H"→"L", and input in the order of command code, address and data.

<Data Transfer Procedure>	
① command code	(1 0 1 0 0 0 0 0)
② address	(A7 A0)
③ data	(D15 D8)
④ data	(D7 D0)

[Table 1]

Bit name	Function				
C23	External RAM data length selection	1: 4-bit, 0: 8-bit(default value)			
C22	External RAM selection (C22,C21,C20) =	(0,0,0): SRAM (default value)			
C21		(0,1,0): Pseudo SRAM(static column mode)			
C20		(0,1,1): Pseudo SRAM(normal mode)			
		(1,0,0): DRAM 256K (1,0,1): DRAM 1M(use as 512K)			
C19	Data reset function selection after reset	1: not use, 0: use(default value)			
C18	Addressing method selection of DRAM	0: Ring addressing (default value) 1: Linear addressing			
C17	BCLK selection (C17,C16) = Effective only slave mode	(0,0): 64fs(default value)			
C16		(0,1): 32fs (1,0): 48fs			
C15	SDIN1 interface selection (C15,C14) =	(0,0): MSB justified 16-bit 32/48/64fs			
C14		(0,1): MSB justified 24-bit 48/64fs			
		(1,0): LSB justified 16-bit 48/64fs			
		(1,1): LSB justified 24-bit 64fs			
C13	SDOUT1 interface selection (C13,C12) =	(0,0): MSB justified 16-bit 32/48/64fs			
C12		(0,1): MSB justified 24-bit 48/64fs			
		(1,0): LSB justified 16-bit 48/64fs			
		(0,0): (default value)			
C11	SDIN2 interface selection	0: MSB justified 20-bit 48/64fs 1: MSB justified 16-bit 32/48/64fs 0: (default value)			
C10	SDOUT2 interface selection	0: MSB justified 20-bit 48/64fs 1: MSB justified 16-bit 32/48/64fs 0: (default value)			
C9	Reserve/ Test (C9,C8) =	(0,0): (default value)	note 1)		
C8					
C7	Reserve/ Test	0: (default value)	note 1)		
C6	ADC HPF selection	1: not use, 0: use(default value)			
C5	Pink Noise Generation	0: (default value) 1: use			
C4	Reserve/ Test	0: (default value)	note 1)		
C3	Master clock selection (C3,C2) =	(0,1): (default value)			
C2		XTI	DSP fs	Max clock	
		(0,0):	384fs	384fs	48/44.1/32kHz 18.432MHz
		(0,1):	256	256	48/44.1/32 12.288MHz
		(1,0):	512	512	32 16.384MHz
(1,1):	576	576	32 18.432MHz		
C1	Reserve/ Test	0: (default value)	note 1)		
C0	Reserve/ Test	0: (default value)	note 1)		

* Other codes except for this table are reserved. Do not use these reserved codes.

note 1) Do not change the reserve/ test as it may be used for test. It may become the cause of irregular action.

7) Timing with Microcomputer

In case of transferring data from microcomputer, the command data can be input on condition that the \overline{WRQ} is set to "H", the command register is reset and \overline{WRQ} is set to "L". \overline{CS} must be set to "L" in case of receiving/ transferring data from/to this LSI. If \overline{CS} is set to "H", then SO and WRDY become "Hi-z" state and can not receive/transform data. The timing of data load at reset($\overline{RST} = "L"$, PD = "Hi") is shown in Fig.38 and 39. If the transferring data is finished then WRDY signal becomes "L", and if down load is finished then it return to "H".

The motion transferring next data is suppressed in that period(WRDY = "L"). Since the period has short length about 2 cycles of master clock, if SCLK is slow enough then monitoring of WRDY is not needed.

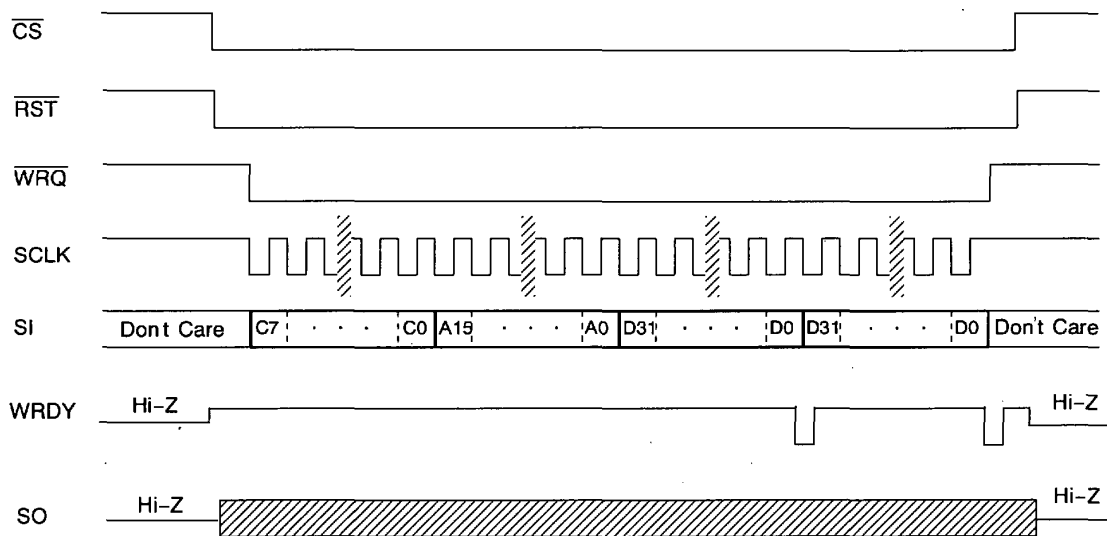


Fig.38 Input of Continuous Address Data to PRAM,CRAM and OFRAM

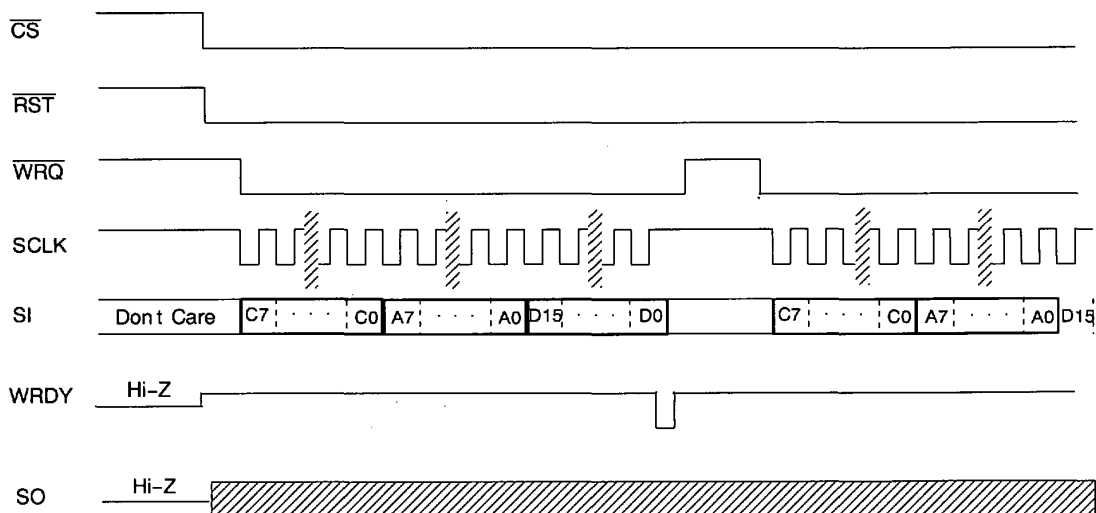


Fig.39 Input of Discontinuous Address Data to PRAM,CRAM and OFRAM

In case of changing the data of CRAM and OFRAM data at RUN state, execute preparation of writing data at run state (in this case, address is unnecessary and \overline{RST} is "H") by writing to buffer memory similar to Fig.11. Secondary, set \overline{WRQ} to "L" and if input of command code and address is finished then set \overline{WRQ} to "H". If the preparation for rewrite is finished inside, \overline{WRDY} signal becomes "L", and rewrite command is executed from rising of LRCK. And if rewriting is finished, \overline{WRDY} becomes to "H". These timing is shown in Fig.41.

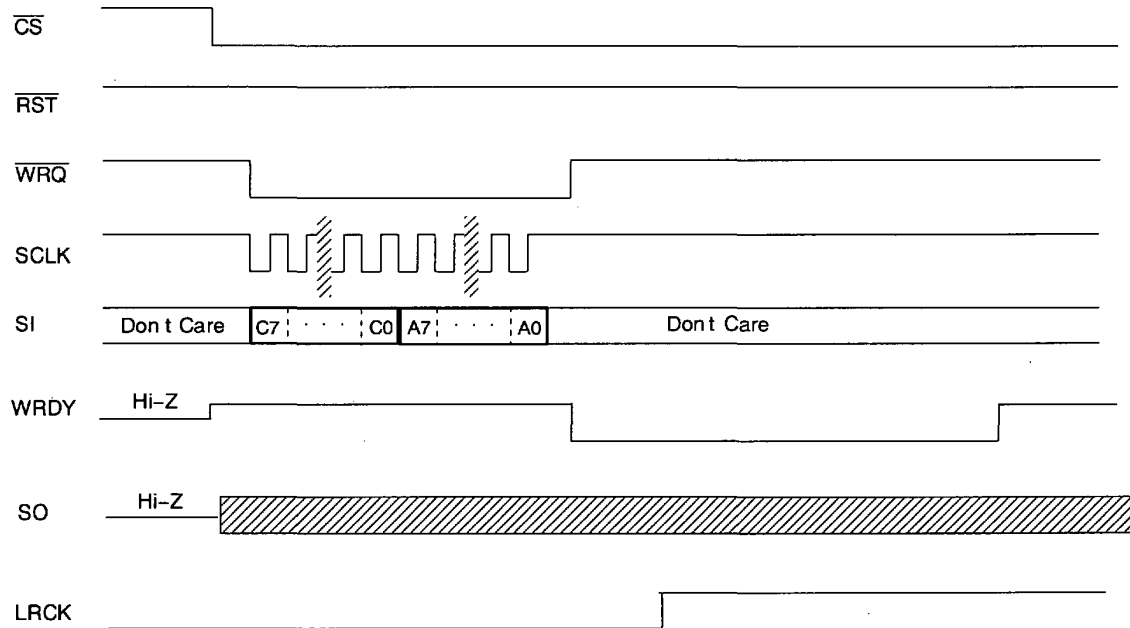


Fig.41 Data Rewrite Timing at Run State

The external conditional jump can be written at reset/run state. These timing are shown in Fig.42 and 43. At reset state, the "L"→"H" in \overline{WRQ} must be executed after 3MCK from "L"→"H" in \overline{RST} . But, at run state, "L"→"H" in \overline{WRQ} can be executed at once after transferring jump condition. \overline{WRDY} signal becomes "H"→"L" after transferring jump condition, and 2 cycles after setting $\overline{RST}/\overline{WRQ}$ to "H", becomes "L"→"H" at rising edge of LRCK. As similar to above, data transferring is suppressed in the period of \overline{WRDY} ="L".

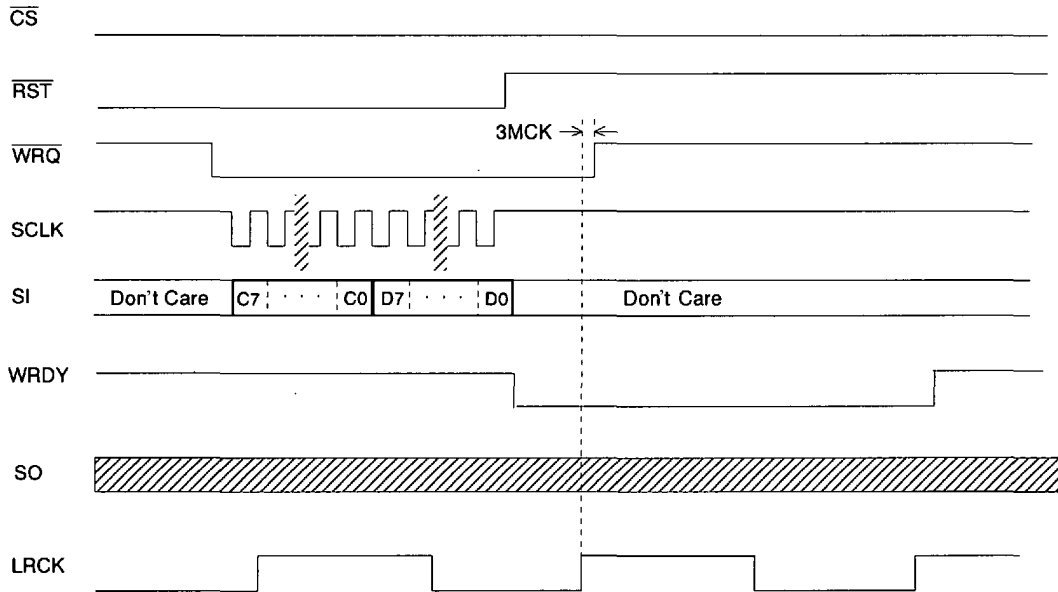


Fig.42 Write Timing External Conditional Jump at Reset

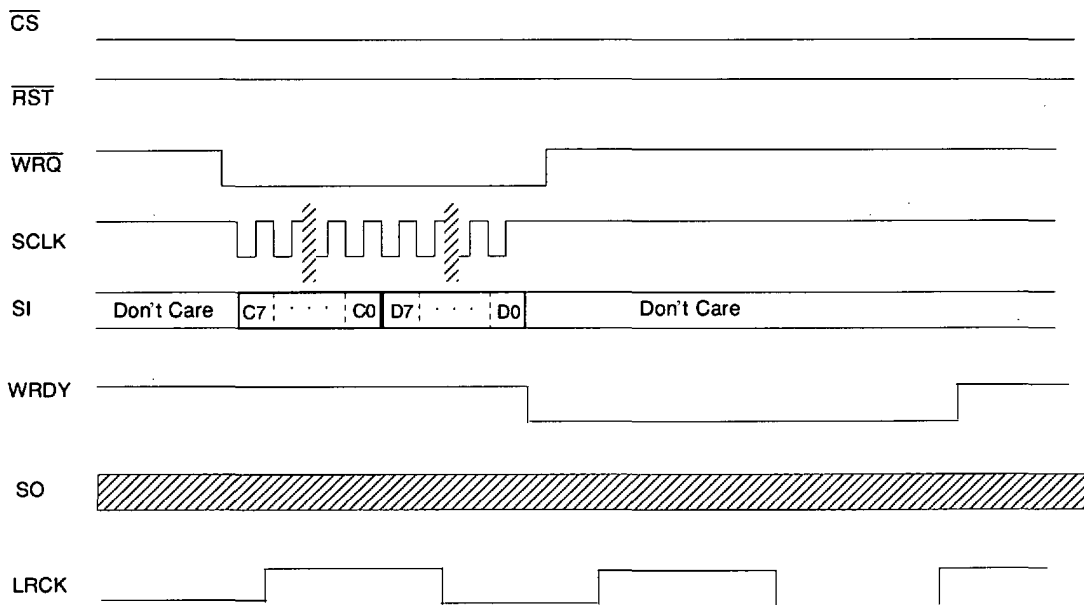


Fig.43 Write Timing of External Conditional Jump at Run time

SO can output the data on DBUS of this LSI. By appointing @MICR at DST field, the data is set, and DRDY becomes to "H", and the data is put synchronizing with falling edge of SCLK. If once \overline{CS} is changed to "H", DRDY becomes to "L", and wait the next command. If once DRDY becomes to "H", the data of first @MICR command after DRDY="H" is held and other command is not received while \overline{CS} is held "L". In case of output from SO, set \overline{WRQ} to "H", and \overline{CS} to "L".

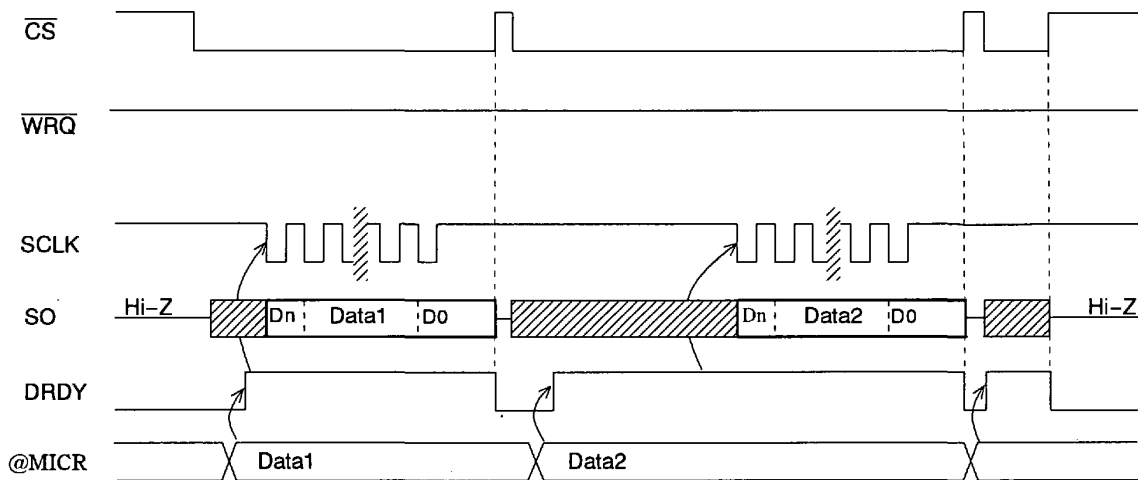


Fig.44 Output Timing of SO

* Attentions concerning of control signal for micro computer interface

Control signal for micro computer interface(CS, RST, WRQ should be allowed to change when SCLK is in "H" state.

* SO output is maximum 24bit data. After obtaining the indispensable number of data(less than 24), the subsequent data can be possible to output when \overline{CS} is in "H" state.

■ High-pass Filter

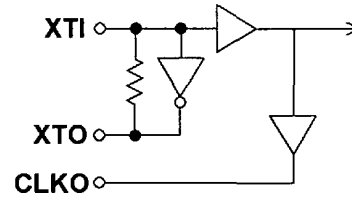
AK7712A has digital high-pass filter(HPF) for DC offset cancel. HPF is active when control register C6 is "0". The cut-off frequency of HPF is about 1Hz($f_s=48kHz$). If C6 is set to "1" then HPF becomes unavailable. In that case, AK7712A has DC offset of a few millivolts.

■ Zero detection function

In the case that "0" of both channels of input data repeats 8192 times, DZF becomes "H". After that, if input data becomes not "0" then DZF becomes "L" at once.

■ System Clock

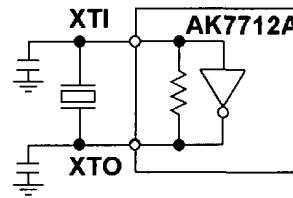
The system clock of AK7712A is XTI at master mode. And these are XTI, LRCK(fs) and BCLK at slave mode. In case of using slave mode, XTI and LRCK must be synchronized but those phases do not need to be muched.



Internal Clock Circuit

Master clock can be obtained by quartz oscillator connected between XTI pin and XTO pin, or by opening XTO pin and inputting the external clock to XTI pin.

The frequencies of each clocks needed for standard audio rate is shown in the table below.



Example of Quartz Oscillator Connection

LRCK (fs) (kHz)	XTI	
	(fs)	(MHz)
32.0	256	8.1920
	384	12.2880
	512	16.3840
44.1	256	11.2896
	384	16.9344
48.0	256	12.2880
	384	18.4320

■ Notes on Use

1) In the case that external clock is not supplied at run state

At run state ($\overline{PD} = "H"$), do not stop each external clock. XTI at master mode, and XTI, BCLK and LRCK at slave mode are needed. If these clocks are not supplied, the circuit is overloaded and the action becomes abnormal since the dynamic logic is used inside.

2) In the case that system clock frequency is changed

At slave mode, the inside timing must be synchronized with LRCK supplied from outside. This synchronization is done by reset inside master counter. This reset is done only one time at LRCK \uparrow after \overline{RST} \uparrow . After that, digital filter operates only with inside master clock, writes data to output register. In the case that synchronism breaks down by changing each system clock frequency, the output data may become anomaly for overlap of write timing to output register and read timing by LRCK. So, change clock with \overline{RST} "L" ($\overline{PDAD}, \overline{PDDA} = "L"$), and reset both built-in ADC, DAC. But, the phase shift between LRCK and inside timing is out of the range from 1/16 to -1/16 of input sampling cycle ($1/f_s$), the adjustment of phase of inside timing is done synchronized with LRCK \uparrow (same as reset state).

■ Reset Control

1) System Reset

During power-up, please reset by setting both \overline{PD} and \overline{RST} pin "L" to "H". The reset is cancelled at XTI "↑". Then, the inside timing becomes to synchronize with LRCK"↑", and the inside LRCK becomes to action since 4LRCK after, and DSP unit becomes to action.

2) Powerdown-Reset control

The reset is controlled with 2 pins of system reset(\overline{RST})and power down(\overline{PD}). It is also able to control the state of ADC/DAC by using \overline{PDAD} / \overline{PDDA} pins in support.

- The setting of " \overline{PD} :L, \overline{RST} :L" makes all the circuit reset and MOS resistance of quartz oscillator OFF. In this state, by stopping XTI, BCLK and LRCK, power down state is realized(the leak is checked with this state at test). At " \overline{PD} :L, \overline{RST} :L", since MOS resistance of quartz oscillator is also off, output from CLKO and XTO can not be guaranteed.
" \overline{PD} :L, \overline{RST} :L" is used at power on, or at setting to power down state.
- If " \overline{PD} :H, \overline{RST} :L" is set, each register of DSP unit is reset(control register is not reset), and PRAM, DRAM and OFRAM become write enable state. In that case, both of AD unit and DA unit become reset(power down) state(when \overline{PDAD} and \overline{PDDA} are "L").
- The reset(power down) state is cancelled at first "↑" of XTI after setting \overline{RST} to "H". In that case, DAC output is done after 2Ts cycles, but ADC takes 516Ts cycles for initialize, then output data becomes "0". (Ts = 1/fs)

By \overline{PDAD} / \overline{PDDA} , the control of reset state(power down) for AD/DA unit can be separated to the control of reset for DSP unit. Usually both of \overline{PDAD} and \overline{PDDA} are used with "L". But in the case that DSP is reset and PRAM,DRAM and OFRAM are rewritten, not to make ADC and DAC power down state, please set \overline{PDAD} and \overline{PDDA} to "H" after power on.

\overline{PD}	"L" "H" "H" "H" "H" "H"
\overline{RST}	"L" "L" "L" "L" "L" "H"
\overline{PDAD}	- "L" "L" "H" "H" -
\overline{PDDA}	- "L" "H" "L" "H" -
AD	PD × × RUN RUN RUN
DA	PD × RUN × RUN RUN

The format is shown in the table .
In the case of writing data to control register, set \overline{PDAD} and \overline{PDDA} to "L".
To make the change of \overline{PDAD} and \overline{PDDA} , set \overline{RST} to "L".

(-: Don't care, PD: power down, RUN: run state, ×: can not run)

3)Action of DSP Unit, at Reset

This LSI has two kinds of reset; "reset(\overline{RST})" and "power down(\overline{PD})". If \overline{RST} is set to "L"(\overline{PD} ="H"), each register is reset, and PRAM,CRAM and OFRAM become write enable state. If \overline{RST} is set to "H"(\overline{PD} ="H"), the reset is cancelled, and the external RAM clear("0" data write) and the write data"0" to internal DRAM are executed from the rising edge of LRCK. this period takes $2260 \cdot 1/fs$ [sec](fs: sampling frequency). In periods of reset and of write "0"data to DRAM, input/output data is operates as "0". In these periods, DZF is kept "H". These period take 51.3msec at 44.1kHz(384fs). To be disable this function, set control register C19 to "1".This timing is shown in Fig.45.

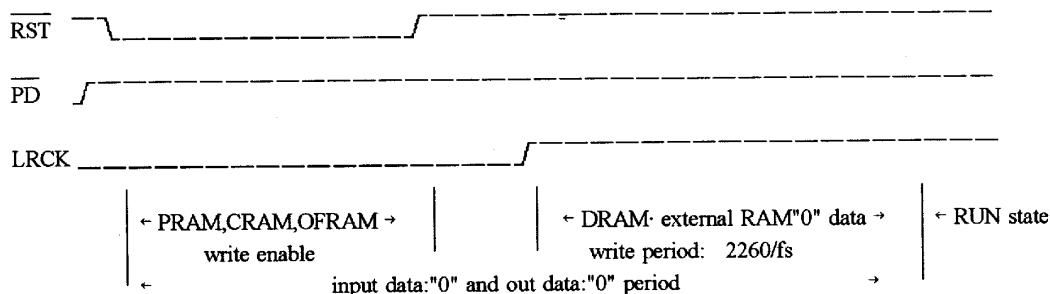


Fig.45 Timing at Reset and after Cancellation of Reset

If both of \overline{RST} and \overline{PD} are set to "L", this LSI becomes power down state, so the control register is also reset to default state. After cancellation, it actions same above. To change the control register or program, set \overline{PD} to "H", load data, set \overline{RST} to "H".

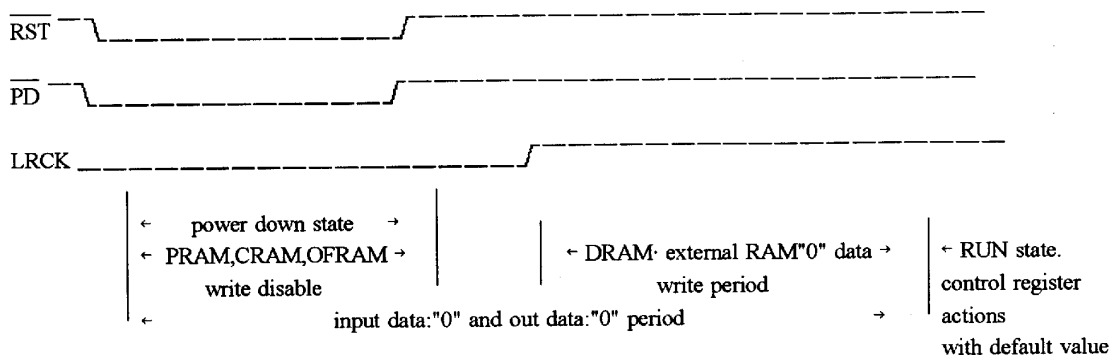
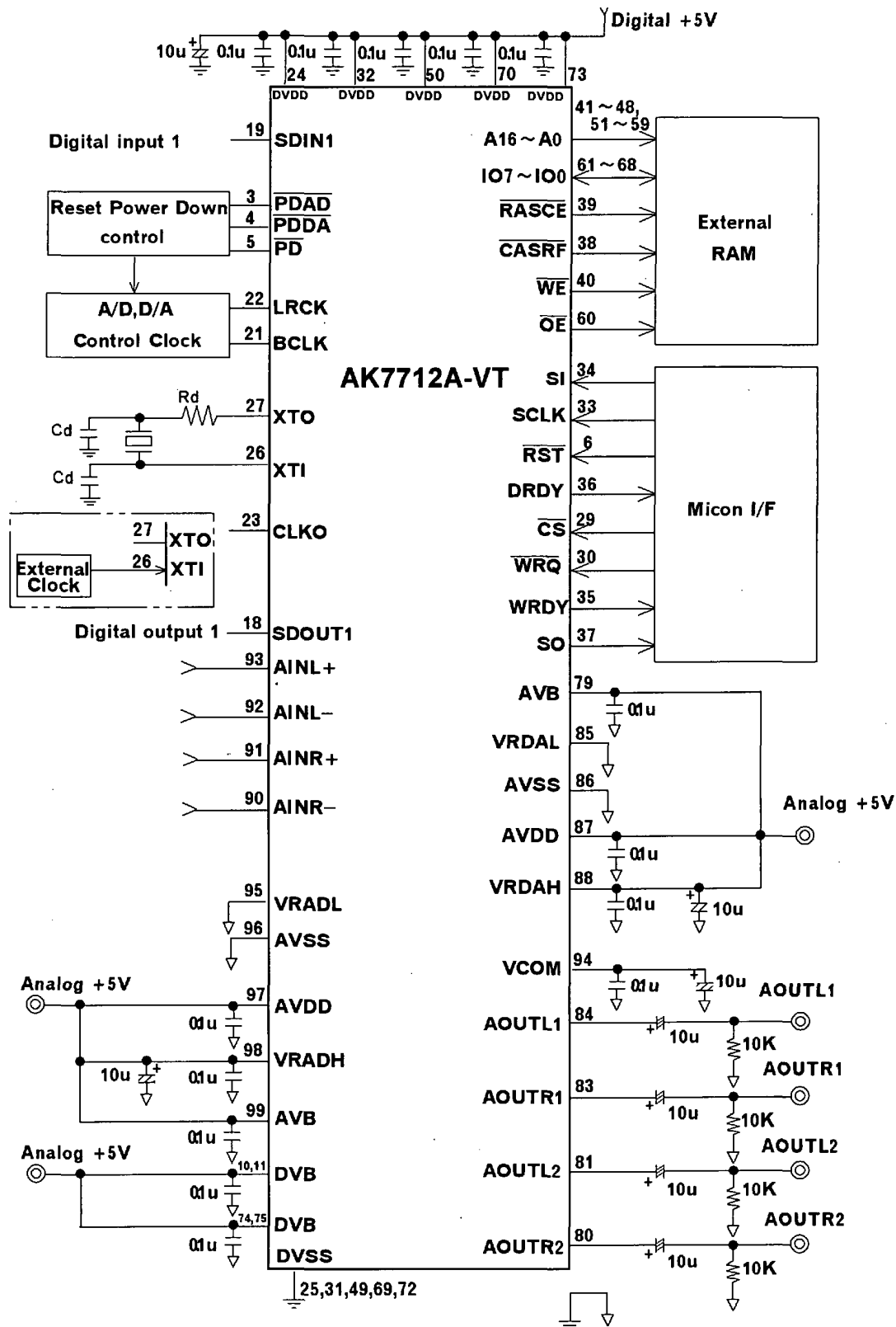


Fig.46 Timing at Power Down and after Cancellation of Reset

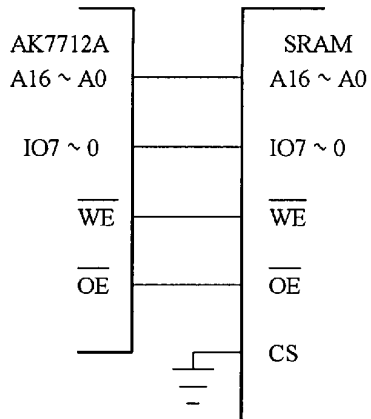
System Design

Connection :



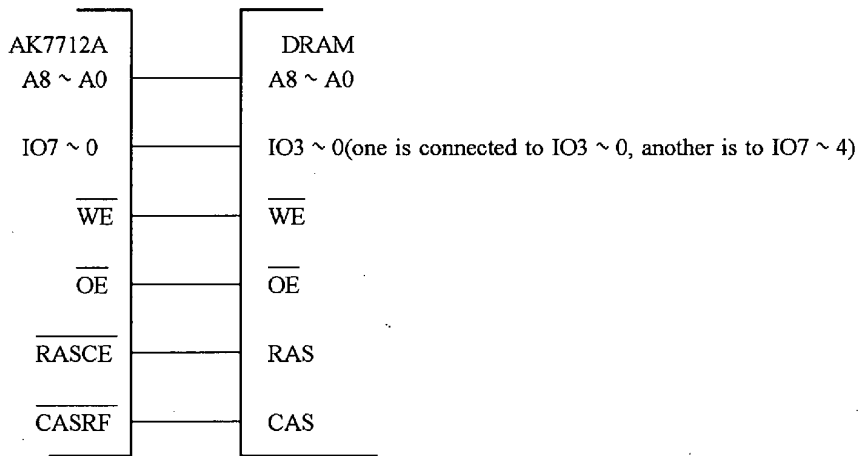
The connection to external RAM is as follows.

< SRAM >

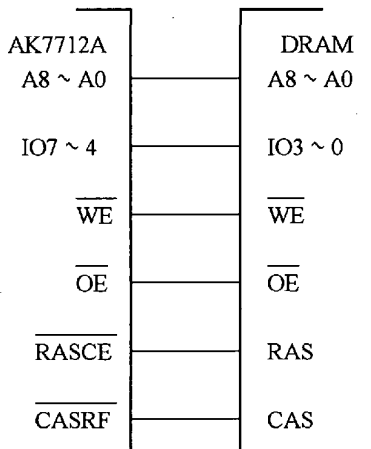


< DRAM >

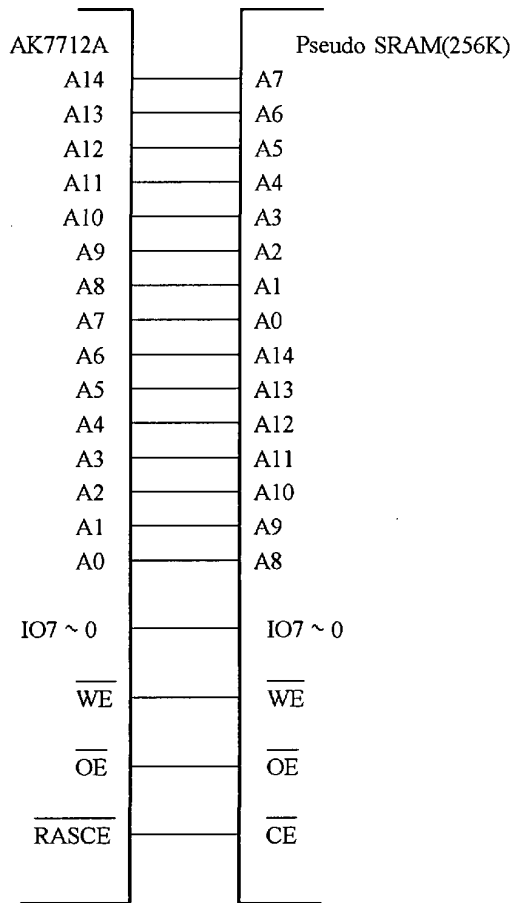
(using 2units)



(using 1unit)



<Pseudo SRAM>



■ Periphery Circuit

1. Ground and Power Supply

In AK7712A, to keep the coupling of digital noise in minimum, AVDD and DVDD are done the decoupling independently. AVDD, AVB and DVB are supplied with analog power supply of system. AVB and DVB are connected each other by IC-substrate, and have a resistance of several ohms. If AVDD, AVB, DVB and DVDD are supplied by another power supply, AVDD, AVB and DVB must be powered at the same time as DVDD, or AVDD, AVB, DVB must be powered at first. In the general way, separate both of power supply and ground between analog and digital, and connect near power supply on PC board. The decoupling capacitor, especially ceramic capacitor of small capacity must be connected near AK7712A.

Caution: Keep AVDD, AVB, DVB \geq DVDD-0.3V, or the over current causes latch-up and this IC may fall into destruction.

2. Standard Voltage

The difference of input voltage between VRADH pin and VRADL pin decide the full-scale of analog input, and the difference of voltage between VRDAH pin and VRDAL pin decide the full-scale of analog output. Usually connect VRADH with AVDD1, and VRDAH with AVDD2, and connect the ceramic capacitor of 0.1uF between AVSS1 and AVSS2. VCOM is used as the common voltage of analog signal. Connect electrolytic capacitor about 10 μ F and the ceramic capacitor of 0.1uF in parallel between this pin and AVSS to remove high-frequency noise. Especially, the ceramic capacitor must be connected to the pin as near as possible. Do not get current from VCOM pin. Digital signal, especially the clock must be parted as far as possible from VRADH, VRADL, VRDAH, VRDAL and VCOM pin to avoid the coupling to AK7712A.

3. Analog Input

Analog input signal is input to modulator from differential input pin of each channel. The input voltage is differential of AIN+ and AIN- ($\Delta V_{AIN} = (AIN+) - (AIN-)$), and the input range is

$$\pm FS = \pm (VRADH - VRADL) \times 0.4$$

When VRADH=5V and VRADL=0V, the input range is $\pm 2.0V$. The code of output code format is 2's complement. The output code against the input voltage is shown in Table 2.

input voltage	output code (sexadecimal digit)	
	16-bit	20-bit
>(+FS-1.5LSB)	7FFF	3FFFF
-0.5LSB	0000 FFFF	00000 7FFFF
<(-FS+0.5LSB)	8000	80000

Table 2. input voltage vs. output code

At fs=48kHz, AK7712A does sampling the analog input with 3.072MHz. The digital filter removes noise between 30kHz and 3.042MHz. But near 3.072MHz, noise is not removed. Since almost all audio signal does not have noise near 3.072MHz, so the noise can be reduced enough by simple RC filter.

The standard voltage of A/D conversion is input to VRADH pin and VRADL pin. Usually VRADH is connected with AVDD1 and VRADL is connected with AVSS1. To remove high-frequency noise, connect 10uF electrolytic capacitor and 0.1uF ceramic capacitor in parallel between VRADH pin and VRADL pin.

Since the analog power supply voltage of AK7712A is set to +5V, do not input the voltage more than (AVDD1)+0.3V or the voltage less than (AVSS1)-0.3V or the current more than 10mA to analog input pin(AINL, AINR). The over current causes destruction of inner protective circuit, moreover latch-up, and the IC falls into destruction.

Accordingly, in the case that power supply voltage of periphery analog circuit is $\pm 15V$, then it is needed to protect the analog input pin from the signal which is more than maximum absolute rating.

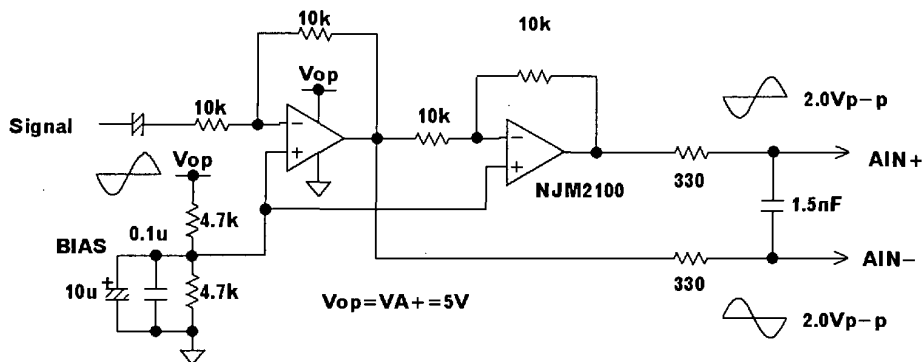


Fig.47 Example of Input Buffer Circuit(Differential Input)

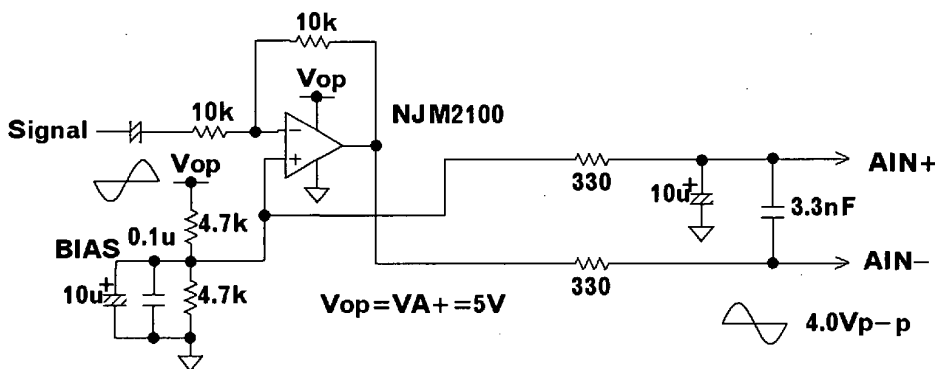


Fig.48 Example of Input Buffer Circuit(Single-end Input)

It is also available to input analog signal to AK7712A with single-end. In that case, input the analog signal(in case of using the inner standard voltage, the full-scale is 4.0Vp-p) to AIN-input, and input the bias to AIN+input. But, at using single-end input type, 2nd harmonic distortion is pretty big, then the features of S/N+D will be worse than at using differential input (Fig.48).

4. Analog Output

The analog output is single-end type, the output range is 2.9Vpp(typ) and centered on VCOM voltage. outband noise(shaping noise), which is generated by built-in $\Delta\Sigma$ modulator, is reduced by built-in switched capacitor filter(SCF) and continuous filter(CTF). Accordingly, it is not needed to add external filter in usual use. The input code format is 2's complement, and the output is positive full-scale at 7FFFH(@16-bit), the negative full-scale at 8000H(@16-bit) and ideally VCOM voltage at 0000H(@16-bit).

As analog output of this LSI has DC offset of several mV, cut the DC component by capacitor in usual use. Fig.49 is a example of external circuit that makes the output double. In this example, output is reversed.

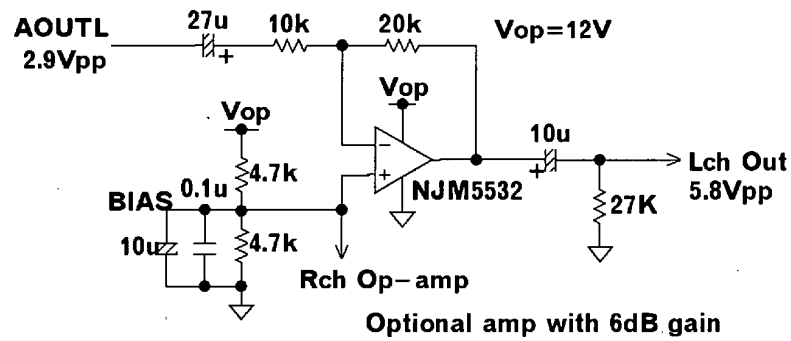


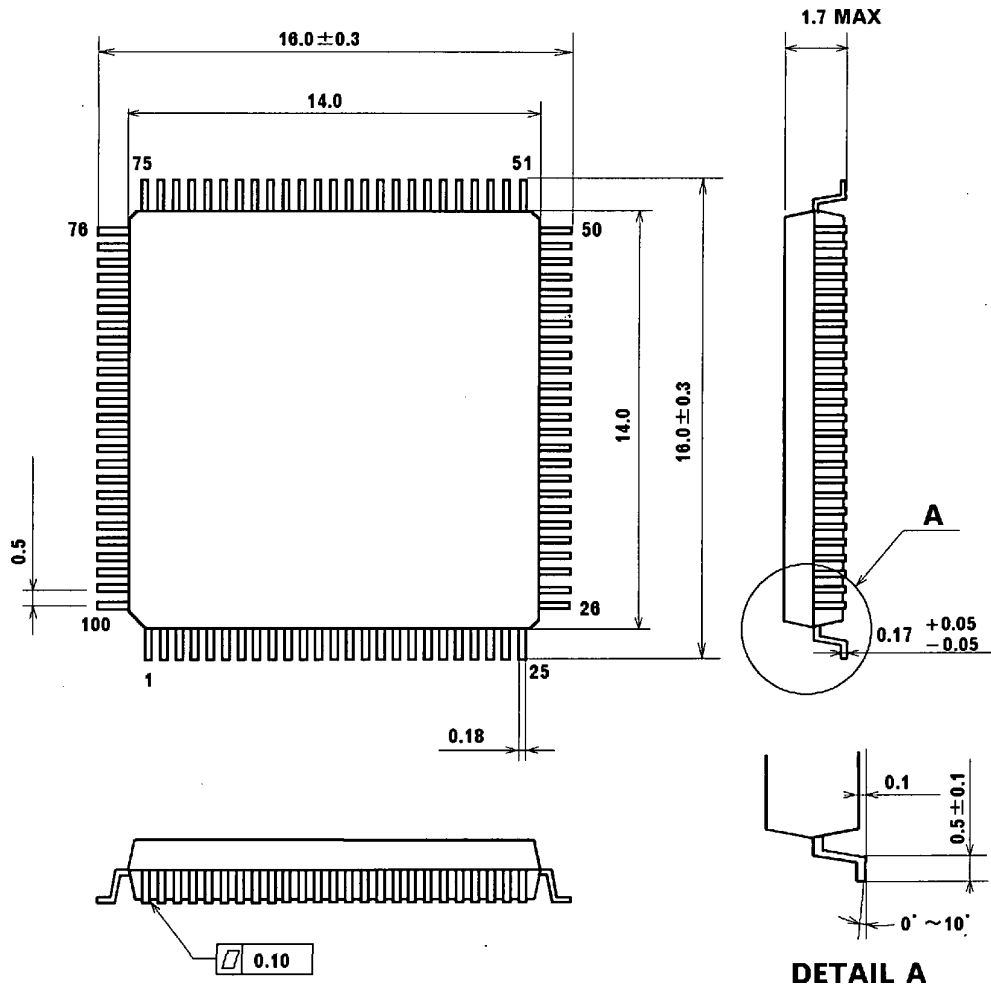
Fig.49 Example of External Circuit(Gain; 2)

5. Connection with Digital Circuit

To minimize the noise caused by digital circuit, connect CMOS logic to digital output. The conformable logic families are 4000B, 74HC, 74AC, 74ACT and 74HCT.

Package

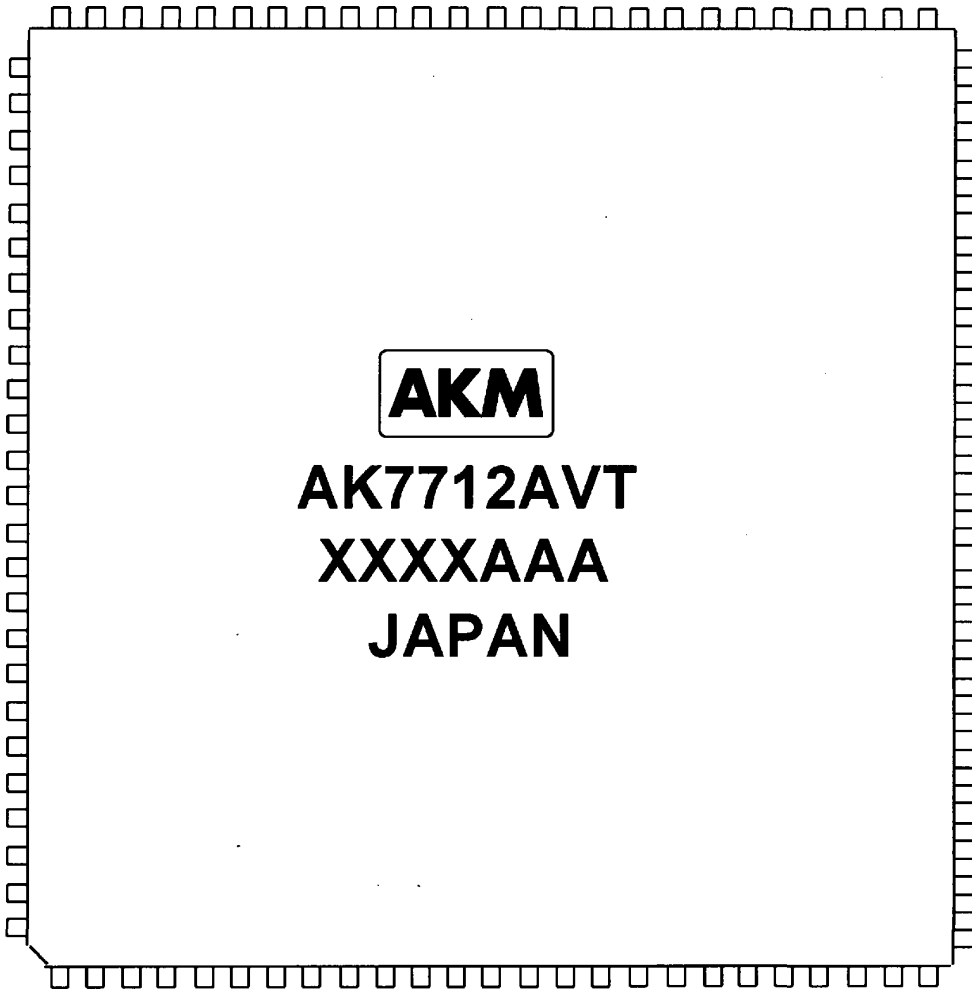
■ 100pin LQFP (Unit: mm)



■ Material & Lead finish

Package:	Epoxy
Lead-frame:	Copper
Lead-finish:	Soldering plate

Marking



XXXXAAA Data Code Identifier

XXXX: Assembly Date (number)

AAA: Lot Number (alphabet)

IMPORTANT NOTICE

- These products and their specifications are subject to change without notice. Before considering any use or application, consult the Asahi Kasei Microsystems Co., Ltd. (AKM) sales office or authorized distributor concerning their current status.
- AKM assumes no liability for infringement of any patent, intellectual property, or other right in the application or use of any information contained herein.
- Any export of these products, or devices or systems containing them, may require an export license or other official approval under the law and regulations of the country of export pertaining to customs and tariffs, currency exchange, or strategic materials.
- AKM products are neither intended nor authorized for use as critical components in any safety, life support, or other hazard related device or system, and AKM assumes no responsibility relating to any such use, except with the express written consent of the Representative Director of AKM. As used here:
 - (a) A hazard related device or system is one designed or intended for life support or maintenance of safety or for applications in medicine, aerospace, nuclear energy, or other fields, in which its failure to function or perform may reasonably be expected to result in loss of life or in significant injury or damage to person or property.
 - (b) A critical component is one whose failure to function or perform may reasonably be expected to result, whether directly or indirectly, in the loss of the safety or effectiveness of the device or system containing it, and which must therefore meet very high standards of performance and reliability.
- It is the responsibility of the buyer or distributor of an AKM product who distributes, disposes of, or otherwise places the product with a third party to notify that party in advance of the above content and conditions, and the buyer or distributor agrees to assume any and all responsibility and liability for and hold AKM harmless from any and all claims arising from the use of said product in the absence of such notification.