

SANYO

No. 4900A

LC89971, 89971M**Multi-system CCD Delay Line****Overview**

The LC89971 and LC89971M are CCD delay lines for multi television systems. They incorporate a comb filter for chrominance signal and a 1H delay line for luminance signal.

Structure

- NMOS + CCD

Functions

- Two CCD shift registers (for chrominance and luminance signals)
- CCD drive circuits
- CCD stage count switching circuit
- CCD signal adder
- Auto-bias circuit
- Sync tip clamping circuit (luminance signal)
- Center-bias circuit (chrominance signal)
- Sample-and-hold circuit
- PLL 4 × frequency multiplier
- fsc clock output circuit
- RD voltage generator

Features

- 5 V single-voltage power supply
- Built-in PLL 4 × frequency multiplier circuit allows 4 fsc operation from an fsc (3.58 MHz) input.
- Control pin switchable to handle NTSC/M, PAL/GBI and PAL/M systems.
- Built-in chrominance signal crosstalk exclusion comb filter features high precision comb characteristics in an adjustment-free circuit.
- Built-in peripheral circuits allow applications to be constructed with a minimum number of external components.
- Positive-phase signal input/positive-phase signal output (luminance signal)

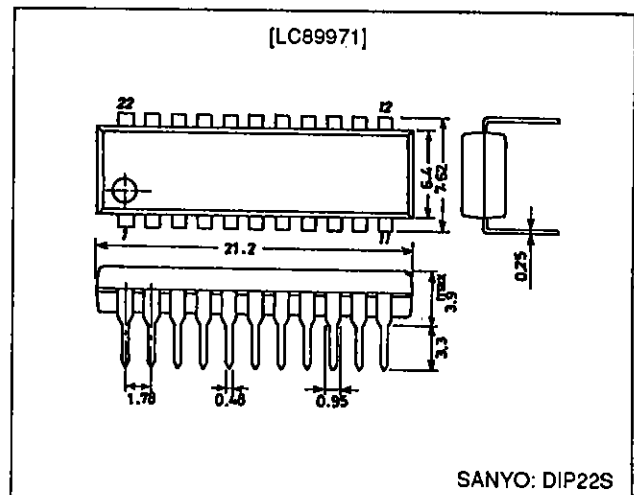
Specifications

Absolute Maximum Ratings at Ta = 25°C

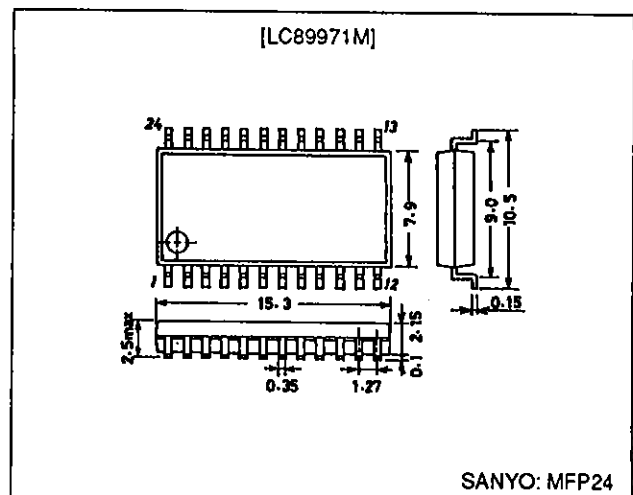
Parameter	Symbol	Conditions	Ratings	Unit
Maximum supply voltage	V _{DD} max		-0.3 to +6.0	V
Allowable power dissipation	Pd max	LC89971	1200	mW
		LC89971M	600	mW
Operating temperature	T _{opr}		-10 to +70	°C
Storage temperature	T _{stg}		-55 to +150	°C

Package Dimensions

unit: mm

3059-DIP22S

unit: mm

3045B-MFP24

SANYO Electric Co., Ltd. Semiconductor Business Headquarters
TOKYO OFFICE Tokyo Bldg., 1-10, 1 Chome, Ueno, Taito-ku, TOKYO, 110 JAPAN

Allowable Operating Ranges at Ta = 25°C

Parameter	Symbol	Conditions	min	typ	max	Unit
Supply voltage	V _{DD}		4.75	5.00	5.25	V
Clock input amplitude	V _{CLK}		300	500	1000	mVp-p
Clock frequency	F _{CLK}	Sine wave	—	3.579545	—	MHz
Clock signal input amplitude	V _{IN-C}		—	350	500	mVp-p
Luminance signal input amplitude	V _{IN-Y}		—	400	572	mVp-p

Electrical Characteristics at V_{DD} = 5.0 V, Ta = 25°C, F_{CLK} = 3.579545 MHz, V_{CLK} = 500 mVp-p

Parameter	Symbol	Switch states				Conditions	min	typ	max	Unit
		SW1	SW2	SW3	SW4					
Supply current	I _{DD-1}	a	a	a	b	1	45	55	65	mA
	I _{DD-2}	a	b	a	b					
	I _{DD-3}	b	b	a	b					
Chrominance System Characteristics (with no Y-IN input)										
Pin voltage (input)	V _{INC-1}	a	a	a	b	2	2.0	2.4	2.8	V
	V _{INC-2}	a	b	a	b					
	V _{INC-3}	b	b	a	b					
Pin voltage (output)	V _{OUYC-1}	a	a	a	b	2	1.2	1.6	2.0	V
	V _{OUTC-2}	a	b	a	b					
	V _{OUTC-3}	b	b	a	b					
Voltage gain	G _{VC-1}	a	a	a	b	3	-2	0	+2	dB
	G _{VC-2}	a	b	a	b					
	G _{VC-3}	b	b	a	b					
Comb depth	C _{D-1}	a	a	a	b	4	—	-40	-35	dB
	C _{D-2}	a	b	a	b					
	C _{D-3}	b	b	a	b					
Linearity	L _{NC-1}	a	a	a	b	5	-0.3	0.0	+0.3	dB
	L _{NC-2}	a	b	a	b					
	L _{NC-3}	b	b	a	b					
Clock leakage (4 fsc)	L _{CK4C-1}	a	a	a	b	6	—	10	50	mVrms
	L _{CK4C-2}	a	b	a	b					
	L _{CK4C-3}	b	b	a	b					
Clock leakage (fsc)	L _{CK1C-1}	a	a	a	b	6	—	0.8	1.5	mVrms
	L _{CK1C-2}	a	b	a	b					
	L _{CK1C-3}	b	b	a	b					
Noise	N _{C-1}	a	a	a	b	7	—	0.5	2.0	mVrms
	N _{C-2}	a	b	a	b					
	N _{C-3}	b	b	a	b					
Output impedance	Z _{OC-1}	a	a	a	a, b	8	200	350	500	Ω
	Z _{OC-2}	a	b	a	a, b					
	Z _{OC-3}	b	b	a	a, b					
0 H delay time	T _{DC-1}	a	a	a	b	9	—	230	—	ns
	T _{DC-2}	a	b	a	b					
	T _{DC-3}	b	b	a	b					

Continued on next page.

Continued from preceding page.

Parameter	Symbol	Switch states				Conditions	min	typ	max	Unit
		SW1	SW2	SW3	SW4					
Luminance System Characteristics (with no C-IN1 or C-IN2 input)										
Pin voltage (input)	V _{INY-1}	a	a	a	b	10	1.7	2.1	2.5	V
	V _{INY-2}	a	b	a	b					
	V _{INY-3}	b	b	a	b					
Pin voltage (output)	V _{OUTY-1}	a	a	a	b	10	0.8	1.2	1.6	V
	V _{OUTY-2}	a	b	a	b					
	V _{OUTY-3}	b	b	a	b					
Voltage gain	G _{VY-1}	a	a	a	b	11	-2	0	+2	dB
	G _{VY-2}	a	b	a	b					
	G _{VY-3}	b	b	a	b					
Frequency response	G _{FY-1}	a	a	b	b	12	-2	0	+2	dB
	G _{FY-2}	a	b	b	b					
	G _{FY-3}	b	b	b	b					
Differential gain	D _{GY-1}	a	a	a	b	13	0	5	7	%
	D _{GY-2}	a	b	a	b					
	D _{GY-3}	b	b	a	b					
Differential phase	D _{PY-1}	a	a	a	b	13	0	5	7	deg
	D _{PY-2}	a	b	a	b					
	D _{PY-3}	b	b	a	b					
Linearity	L _{SY-1}	a	a	a	b	14	37	40	43	%
	L _{SY-2}	a	b	a	b					
	L _{SY-3}	b	b	a	b					
Clock leakage (4 fsc)	L _{CK4Y-1}	a	a	a	b	15	—	10	50	mVrms
	L _{CK4Y-2}	a	b	a	b					
	L _{CK4Y-3}	b	b	a	b					
Clock leakage (fsc)	L _{CK1Y-1}	a	a	a	b	15	—	0.8	1.5	mVrms
	L _{CK1Y-2}	a	b	a	b					
	L _{CK1Y-3}	b	b	a	b					
Noise	N _{Y-1}	a	a	a	b	16	—	0.5	2.0	mVrms
	N _{Y-2}	a	b	a	b					
	N _{Y-3}	b	b	a	b					
Output impedance	Z _{OY-1}	a	a	a	c, b	17	250	400	550	Ω
	Z _{OY-2}	a	b	a	c, b					
	Z _{OY-3}	b	b	a	c, b					
Delay time	T _{DY-1}	a	a	a	b	18	—	63.88	—	μs
	T _{DY-2}	a	b	a	b					
	T _{DY-3}	b	b	a	b					

Test Conditions

1. Supply current with no signal input.
2. C-OUT voltage (center bias voltage) with no signal input.
3. Measure the C-OUT output with 350 mVp-p sine wave signals input to C-IN1 and C-IN2.

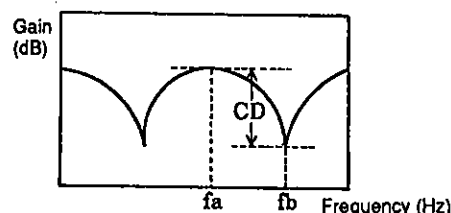
$$GVC = 20 \log \frac{\text{C-OUT output [mVp-p]}}{350 \text{ [mVp-p]}} \text{ [dB]}$$

Test frequencies

- GVC-1 4.431395 MHz (PAL/GBI)
- GVC-2 3.571628 MHz (PAL/M)
- GVC-3 3.571628 MHz (NTSC/M)

4. Measure the comb depth from the C-OUT output with a 350 mVp-p sine wave signal of frequency f_a input to C-IN1 and C-IN2 and with a frequency of f_b input.

$$CD = 20 \log \frac{\text{C-OUT output with } f_b \text{ input [mVp-p]}}{\text{C-OUT output with } f_a \text{ input [mVp-p]}} \text{ [dB]}$$



Test frequencies

	f_a	f_b
CD-1	4.431395 MHz	4.435303 MHz (PAL/GBI)
CD-2	3.571628 MHz	3.575561 MHz (PAL/M)
CD-3	3.571628 MHz	3.575561 MHz (NTSC/M)

5. Measure the C-OUT output with a 200 mVp-p sine wave signal input to C-IN1 and C-IN2 and with 500 mVp-p sine wave signal input and calculate the difference in the gains.

$$LNC = 20 \log \left(\frac{\text{Output for a 500 mVp-p input [mVp-p]}}{500 \text{ [mVp-p]}} / \frac{\text{Output for a 200 mVp-p input [mVp-p]}}{200 \text{ [mVp-p]}} \right) \text{ [dB]}$$

Test frequencies

LNC-1	4.431395 MHz (PAL/GBI)
LNC-2	3.571628 MHz (PAL/M)
LNC-3	3.571628 MHz (NTSC/M)

6. Measure the 4 fsc (14.3 MHz) and fsc (3.58 MHz) components in the C-OUT output with no input.
7. Measure the noise in the C-OUT output with no input.
Measure the noise with a noise meter set up with a 200 kHz high-pass filter and a 5 MHz low-pass filter.
8. Let V_1 be the C-OUT output with a 350 mVp-p sine wave input to C-IN1 and C-IN2 and SW3 set to a, and let V_2 be the C-OUT output with SW3 set to b.

$$ZOC = \frac{V_2 \text{ [mVp-p]} - V_1 \text{ [mVp-p]}}{V_1 \text{ [mVp-p]}} \times 500 \text{ [\Omega]}$$

Test frequencies

ZOC-1	4.431395 MHz (PAL/GBI)
ZOC-2	3.571628 MHz (PAL/M)
ZOC-3	3.571628 MHz (NTSC/M)

9. The C-OUT output delay time with respect to inputs to C-IN1. (the CCD 2.5 bit delay)

10. Y-OUT voltage (clamp voltage) with no signal input.

11. Measure the Y-OUT output with a 200 kHz 400 mVp-p sine wave input to Y-IN.

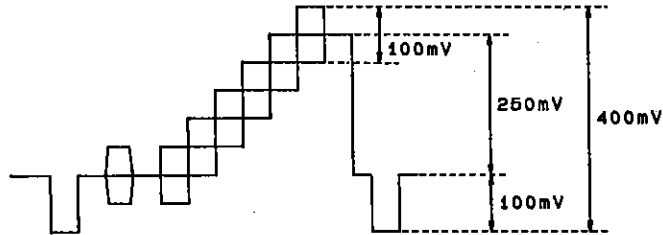
$$GVY = 20 \log \frac{\text{Y-OUT output [mVp-p]}}{400 \text{ [mVp-p]}} \text{ [dB]}$$

12. Measure the Y-OUT output with a 200 kHz 200 mVp-p sine wave input to Y-IN and with a 3.3 MHz 200 mVp-p sine wave input.

$$GFY = 20 \log \frac{\text{Y-OUT output with a 3.5 MHz input [mVp-p]}}{\text{Y-OUT output with a 200 kHz input [mVp-p]}} \text{ [dB]}$$

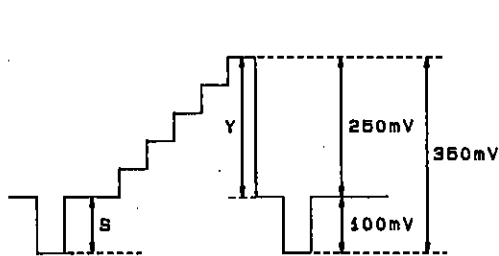
Note that V_{bias} should be adjusted so that the circuit is biased to the clamp level plus 250 mV.

13. Input a five-level step waveform (see the figure below) to Y-IN and measure the differential gain and differential phase in the Y-OUT output with a vector scope.



A03B33

14. Input a five-level step waveform (see the figure below) to Y-IN and measure the luminance level (Y) and the sync level (S) in the Y-OUT output.



$$LS = \frac{S [mV]}{Y [mV]} \times 100 [\%]$$

A03B34

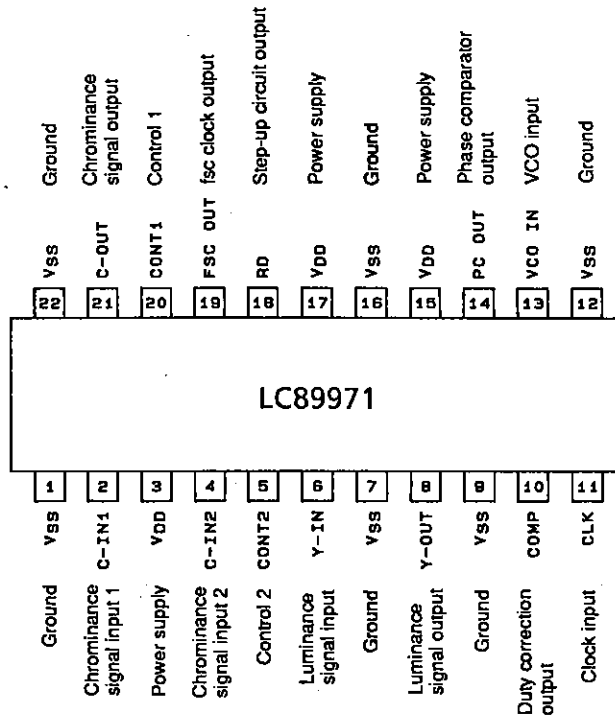
15. Measure the 4 fsc (14.3 MHz) and fsc (3.58 MHz) components in the Y-OUT output with no input.
16. Measure the noise in the Y-OUT output with no input.
Measure the noise with a noise meter set up with a 200 kHz high-pass filter, a 4.2 MHz low-pass filter, and a 3.58 MHz trap filter.
17. Let V1 be the Y-OUT output with a 200 kHz 400 mVp-p sine wave input and SW4 set to c, and let V2 be the C-OUT output with SW4 set to b.

$$ZOY = \frac{V2 [mVp-p] - V1 [mVp-p]}{V1 [mVp-p]} \times 500 [\Omega]$$

18. The Y-OUT delay time with respect to Y-IN

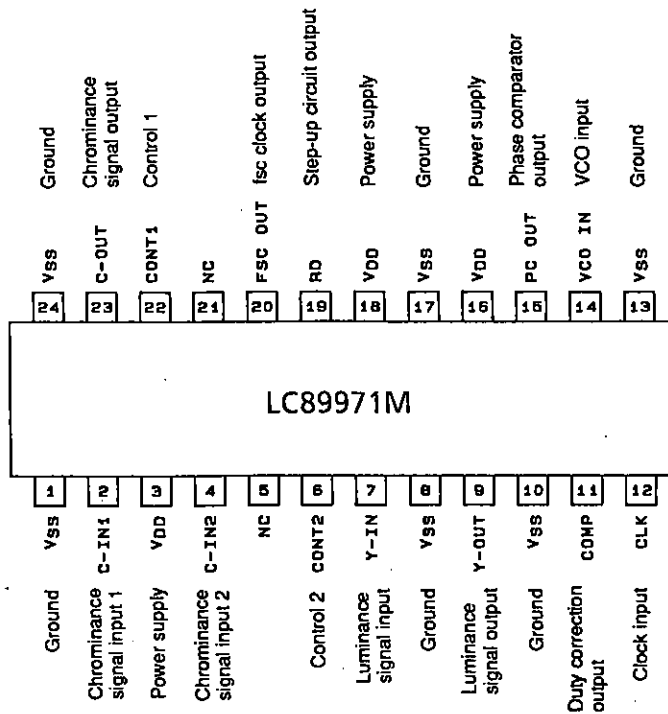
LC89971, 89971M

Pin Assignment [LC89971]



A03630 Top view

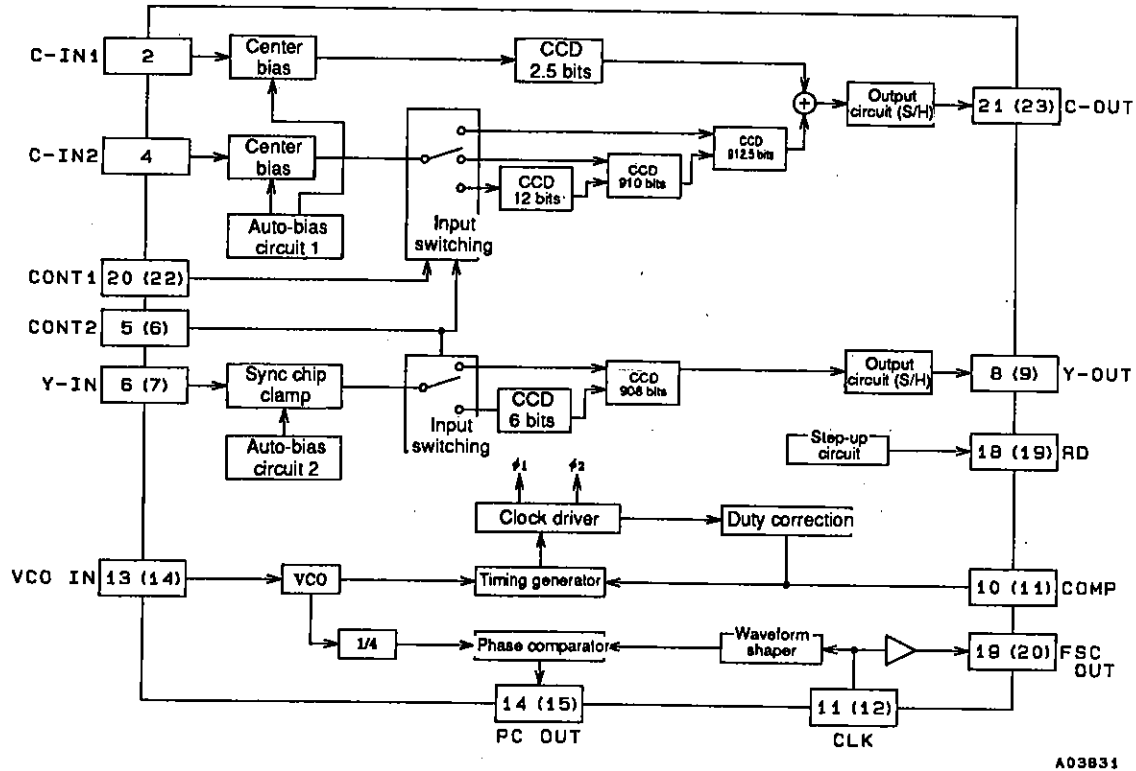
Pin Assignment [LC89971M]



A03630 Top view

Block Diagram

Note * Pin numbers in parentheses are for the LC89971M.



A03831

Control Pin Function

CONT1	CONT2	Mode (representative example)	Chrominance signal delay (CCD bits)	Luminance signal delay (CCD bits)
Low	Low	PAL/GBI	2 H (1834.5) + 0 H (2.5)	1 H (914)
Low	High	PAL/M	2 H (1822.5) + 0 H (2.5)	1 H (908)
High	Low	—	—	—
High	High	NTSC/M	1 H (912.5) + 0 H (2.5)	1 H (908)

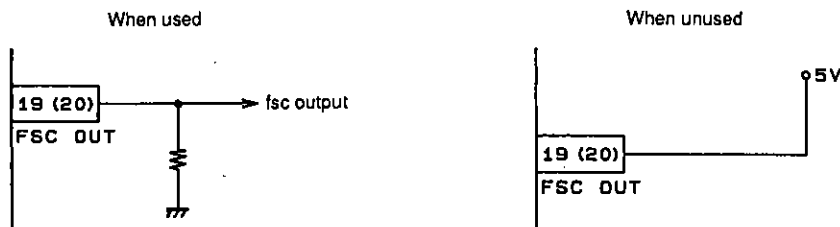
Switching Voltage Levels

Low/high	Symbol	min	typ	max	Unit
Low	V _L	-0.3	0.0	0.5	V
High	V _H	2.0	5.0	6.0	V

Note: Since the control pin has a built-in pull-down resistor (= 70 kΩ), the pin will be set to the low state if left open.

FSC OUT Pin Function

This pin provides a buffer output for the clock signal input to the CLK pin.

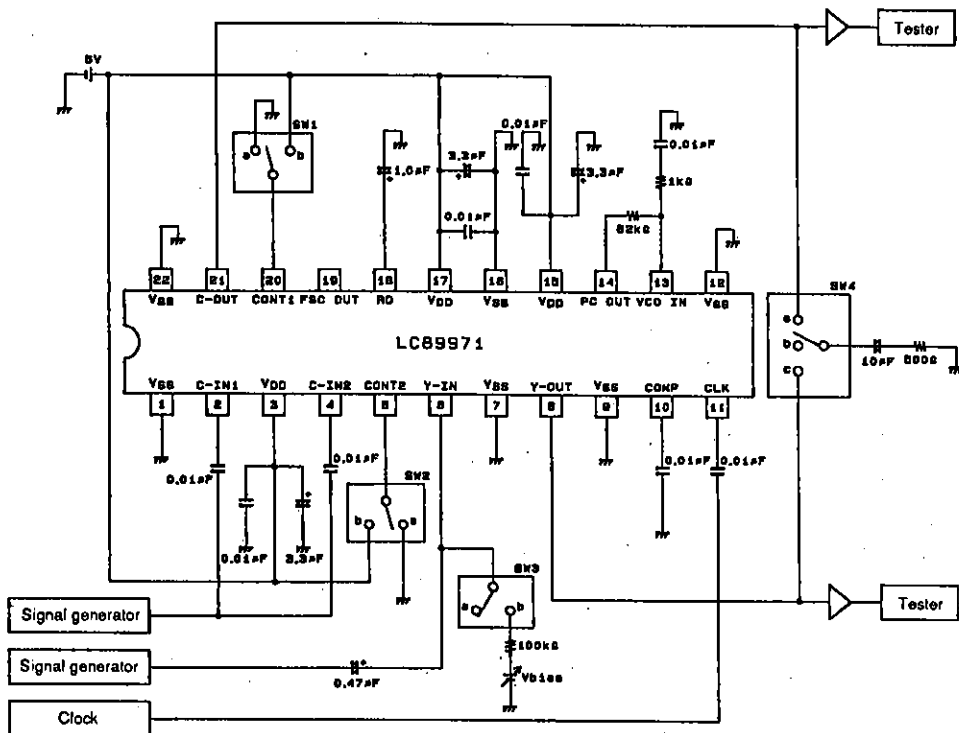


A03832

Note: Since this pin has a built-in pull-up resistor, the pin voltage will go to the supply voltage and output will cease if left open.

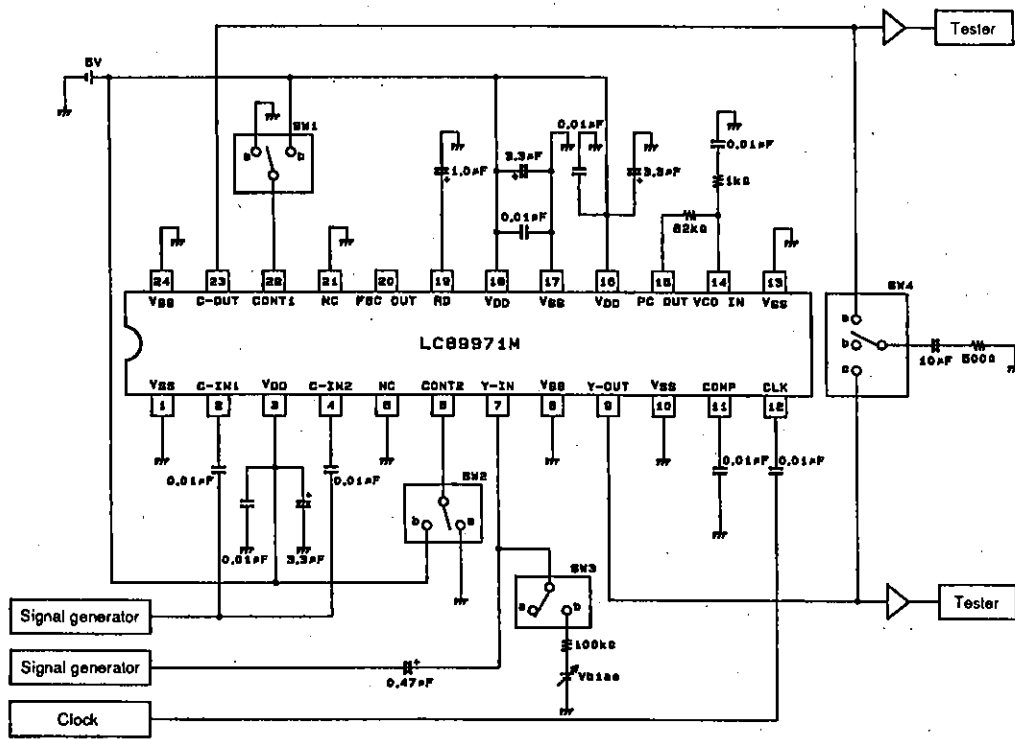
LC89971, 89971M

Test Circuit [LC89971]



A12800

Test Circuit [LC89971M]



A12801

- No products described or contained herein are intended for use in surgical implants, life-support systems, aerospace equipment, nuclear power control systems, vehicles, disaster/crime-prevention equipment and the like, the failure of which may directly or indirectly cause injury, death or property loss.
- Anyone purchasing any products described or contained herein for an above-mentioned use shall:
 - ① Accept full responsibility and indemnify and defend SANYO ELECTRIC CO., LTD., its affiliates, subsidiaries and distributors and all their officers and employees, jointly and severally, against any and all claims and litigation and all damages, cost and expenses associated with such use:
 - ② Not impose any responsibility for any fault or negligence which may be cited in any such claim or litigation on SANYO ELECTRIC CO., LTD., its affiliates, subsidiaries and distributors or any of their officers and employees jointly or severally.
- Information (including circuit diagrams and circuit parameters) herein is for example only; it is not guaranteed for volume production. SANYO believes information herein is accurate and reliable, but no guarantees are made or implied regarding its use or any infringements of intellectual property rights or other rights of third parties.

This catalog provides information as of June, 1995. Specifications and information herein are subject to change without notice.