

CXK5V81000ATM -85LLX/10LLX

131072-word × 8-bit High Speed CMOS Static RAM

Description

The CXK5V81000ATM is a high speed CMOS static RAM organized as 131072-words by 8-bits.

A polysilicon TFT cell technology realized extremely low stand-by current and higher data retention stability.

Operating on a single 3.3V supply, and special feature are low power consumption, high speed.

The CXK5V81000ATM is a suitable RAM for portable equipment with battery back up.



Features

- Extended operating temperature range: -25 to +85°C
- Fast access time:

	(Access time)
-85LLX	85ns (Max.)
-10LLX	100ns (Max.)
- Low standby current: 28µA (Max.)
- Low data retention current: 24µA (Max.)
- Single 3.3V supply: 3.3V ± 0.3V
- Low voltage data retention: 2.0V (Min.)
- Package
8mm × 20mm 32 pin TSOP package

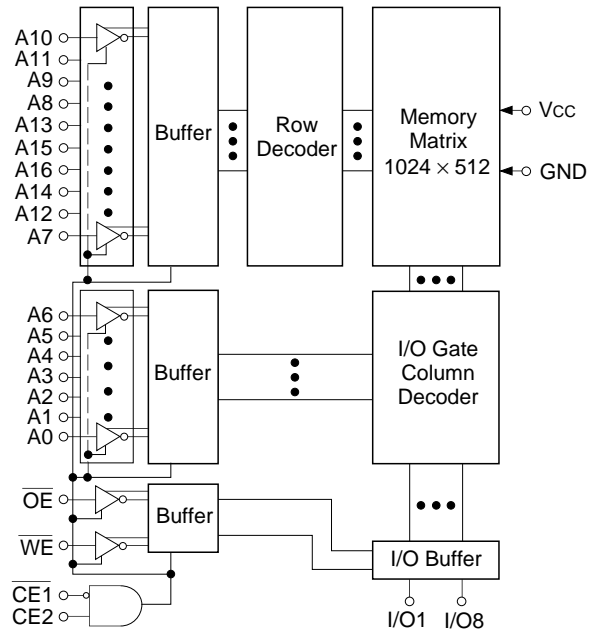
Function

131072-word x 8-bit static RAM

Structure

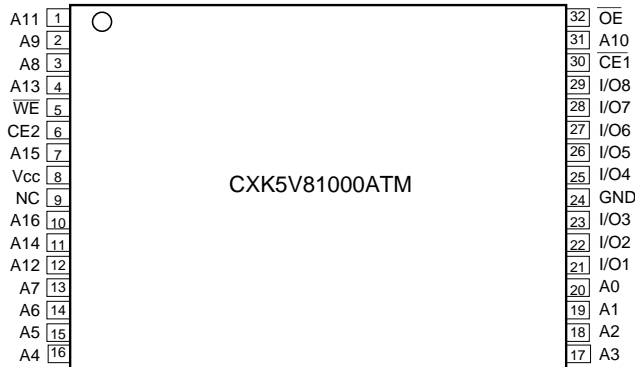
Silicon gate CMOS IC

Block Diagram



Sony reserves the right to change products and specifications without prior notice. This information does not convey any license by any implication or otherwise under any patents or other right. Application circuits shown, if any, are typical examples illustrating the operation of the devices. Sony cannot assume responsibility for any problems arising out of the use of these circuits.

Pin Configuration (Top View)



Pin Description

Symbol	Description
A0 to A16	Address input
I/O1 to I/O8	Data input output
CE1, CE2	Chip enable 1, 2 input
WE	Write enable input
OE	Output enable input
Vcc	Power supply
GND	Ground
NC	No connection

Absolute Maximum Ratings

(Ta = 25°C, GND = 0V)

Item	Symbol	Rating	Unit
Supply voltage	Vcc	-0.5 to +4.6	V
Input voltage	V _{IN}	-0.5* to Vcc + 0.5	V
Input and output voltage	V _{I/O}	-0.5* to Vcc + 0.5	V
Allowable power dissipation	P _D	0.7	W
Operating temperature	T _{opr}	-25 to +85	°C
Storage temperature	T _{stg}	-55 to +150	°C
Soldering temperature · time	T _{solder}	235 · 10	°C · s

* V_{IN}, V_{I/O} = -3.0V Min. for pulse width less than 50ns.

Truth Table

CE1	CE2	OE	WE	Mode	I/O pin	Vcc Current
H	×	×	×	Not selected	High Z	I _{SB1} , I _{SB2}
×	L	×	×	Not selected	High Z	I _{SB1} , I _{SB2}
L	H	H	H	Output disable	High Z	I _{CC1} , I _{CC2} , I _{CC3}
L	H	L	H	Read	Data out	I _{CC1} , I _{CC2} , I _{CC3}
L	H	×	L	Write	Data in	I _{CC1} , I _{CC2} , I _{CC3}

×: "H" or "L"

DC Recommended Operating Conditions

(Ta = -25 to +85°C, GND = 0V)

Item	Symbol	Min.	Typ.	Max.	Unit
Supply voltage	Vcc	3.0	3.3	3.6	V
Input high voltage	V _{IH}	2.2	—	Vcc + 0.3	V
Input low voltage	V _{IL}	-0.3*	—	0.6	V

* V_{IL} = -3.0V Min. for pulse width less than 50ns.

Electrical Characteristics

• DC Characteristics

(V_{CC} = 3.3V ± 0.3V, GND = 0V, T_a = -25 to +85°C)

Item	Symbol	Test conditions	Min.	Typ.*	Max.	Unit	
Input leakage current	I _{LI}	V _{IN} = GND to V _{CC}	-1	—	+1	μA	
Output leakage current	I _{LO}	$\overline{CE1} = V_{IH}$ or $CE2 = V_{IL}$ or $\overline{OE} = V_{IH}$ or $\overline{WE} = V_{IL}$ V _{I/O} = GND to V _{CC}	-1	—	+1	μA	
Operating power supply current	I _{CC1}	$\overline{CE1} = V_{IL}$, CE2 = V _{IH} V _{IN} = V _{IH} or V _{IL} I _{OUT} = 0mA	—	1	3	mA	
Average operating current	I _{CC2}	Min. cycle duty = 100% I _{OUT} = 0mA	85LLX	—	30	40	mA
			10LLX	—	25	35	
	I _{CC3}	Cycle time 1μs duty = 100% I _{OUT} = 0mA CE1 ≤ 0.2V CE2 ≥ V _{CC} - 0.2V V _{IL} ≤ 0.2V V _{IH} ≥ V _{CC} - 0.2V	—	5	10	mA	
Standby current	I _{SB1}	CE2 ≤ 0.2V or { CE1 ≥ V _{CC} - 0.2V CE2 ≥ V _{CC} - 0.2V	-25 to +85°C	—	—	28	μA
			-25 to +70°C	—	—	14	
			+25°C	—	0.48	—	
	I _{SB2}	$\overline{CE1} = V_{IH}$ or CE2 = V _{IL}	—	0.12	1.4	mA	
Output high voltage	V _{OH}	I _{OH} = -2.0mA	2.4	—	—	V	
Output low voltage	V _{OL}	I _{OL} = 2.0mA	—	—	0.4	V	

* V_{CC} = 3.3V, T_a = 25°C

I/O capacitance

(Ta = 25°C, f = 1MHz)

Item	Symbol	Test conditons	Min.	Typ.	Max.	Unit
Input capacitance	C _{IN}	V _{IN} = 0V	—	—	8	pF
I/O capacitance	C _{I/O}	V _{I/O} = 0V	—	—	10	pF

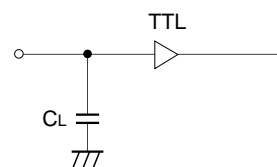
Note) This parameter is sampled and is not 100% tested.

AC Characteristics

• **AC test conditions** (V_{CC} = 3.3V ± 0.3V, Ta = -25 to +85°C)

Item	Conditions	
Input pulse high level	V _{IH} = 2.2V	
Input pulse low level	V _{IL} = 0.6V	
Input rise time	tr = 5ns	
Input fall time	tf = 5ns	
Input and output reference level	1.4V	
Output load conditions	-85LLX	CL* = 30pF, 1TTL
	-10LLX	CL* = 100pF, 1TTL

• Test circuit



* CL includes scope and jig capacitances.

• **Read cycle** ($\overline{WE} = "H"$) (V_{CC} = 3.3V ± 0.3V, GND = 0V, T_a = -25 to +85°C)

Item	Symbol	-85LLX		-10LLX		Unit
		Min.	Max.	Min.	Max.	
Read cycle time	t _{RC}	85	—	100	—	ns
Address access time	t _{AA}	—	85	—	100	ns
Chip enable access time ($\overline{CE1}$)	t _{CO1}	—	85	—	100	ns
Chip enable access time (CE2)	t _{CO2}	—	85	—	100	ns
Output enable to output valid	t _{OE}	—	40	—	50	ns
Output hold from address change	t _{OH}	10	—	10	—	ns
Chip enable to output in low Z ($\overline{CE1}$, CE2)	t _{LZ1} , t _{LZ2}	10	—	10	—	ns
Output enable to output in low Z (\overline{OE})	t _{OLZ}	5	—	5	—	ns
Chip disable to output in high Z ($\overline{CE1}$, CE2)	t _{HZ1*} , t _{HZ2*}	—	35	—	40	ns
Output disable to output in high Z (\overline{OE})	t _{OHZ*}	—	30	—	35	ns

* t_{HZ1}, t_{HZ2} and t_{OHZ} are defined as the time required for outputs to turn to high impedance state and are not referred to as output voltage levels.

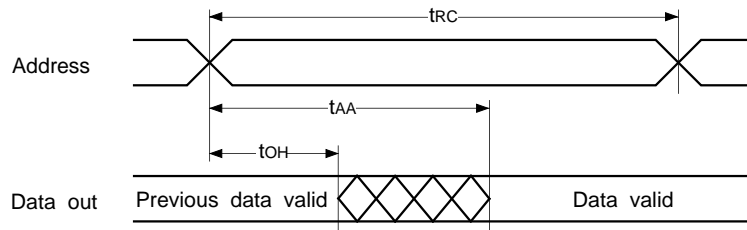
• **Write cycle** (V_{CC} = 3.3V ± 0.3V, GND = 0V, T_a = -25 to +85°C)

Item	Symbol	-85LLX		-10LLX		Unit
		Min.	Max.	Min.	Max.	
Write cycle time	t _{WC}	85	—	100	—	ns
Address valid to end of write	t _{AW}	70	—	80	—	ns
Chip enable to end of write	t _{CW}	70	—	80	—	ns
Data to write time overlap	t _{DW}	35	—	40	—	ns
Data hold from write time	t _{DH}	0	—	0	—	ns
Write pulse width	t _{WP}	60	—	70	—	ns
Address setup time	t _{AS}	0	—	0	—	ns
Write recovery time (\overline{WE})	t _{WR}	5	—	5	—	ns
Write recovery time ($\overline{CE1}$, CE2)	t _{WR1}	5	—	5	—	ns
Output active from end of write	t _{OW}	5	—	5	—	ns
Write to output in high Z	t _{WHZ*}	—	35	—	40	ns

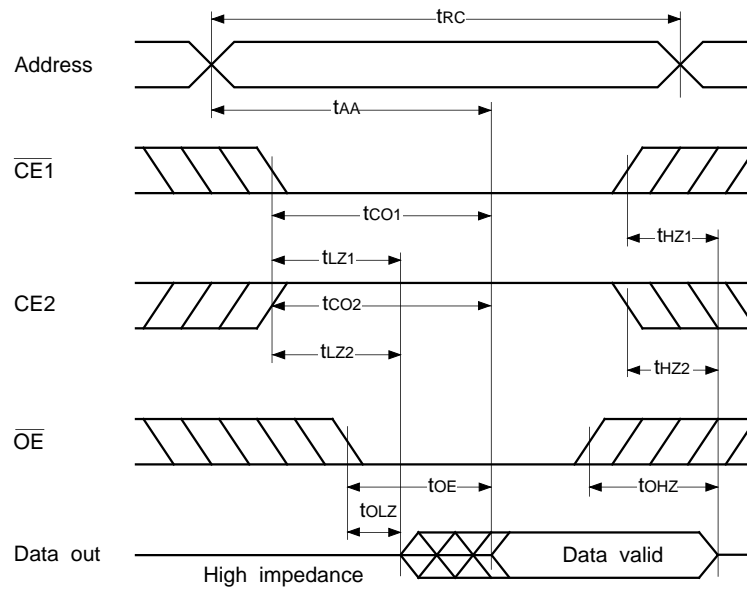
* t_{WHZ} is defined as the time required for outputs to turn to high impedance state and is not referred to as output voltage level.

Timing Waveform

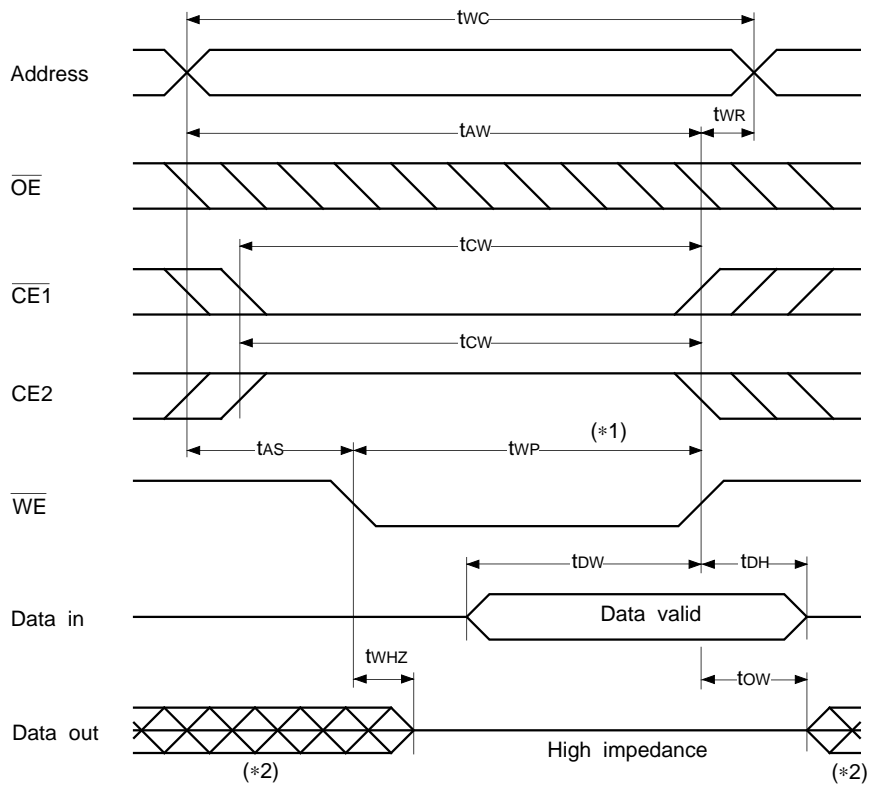
- Read cycle (1) : $\overline{CE1} = \overline{OE} = V_{IL}$, $CE2 = V_{IH}$, $\overline{WE} = V_{IH}$



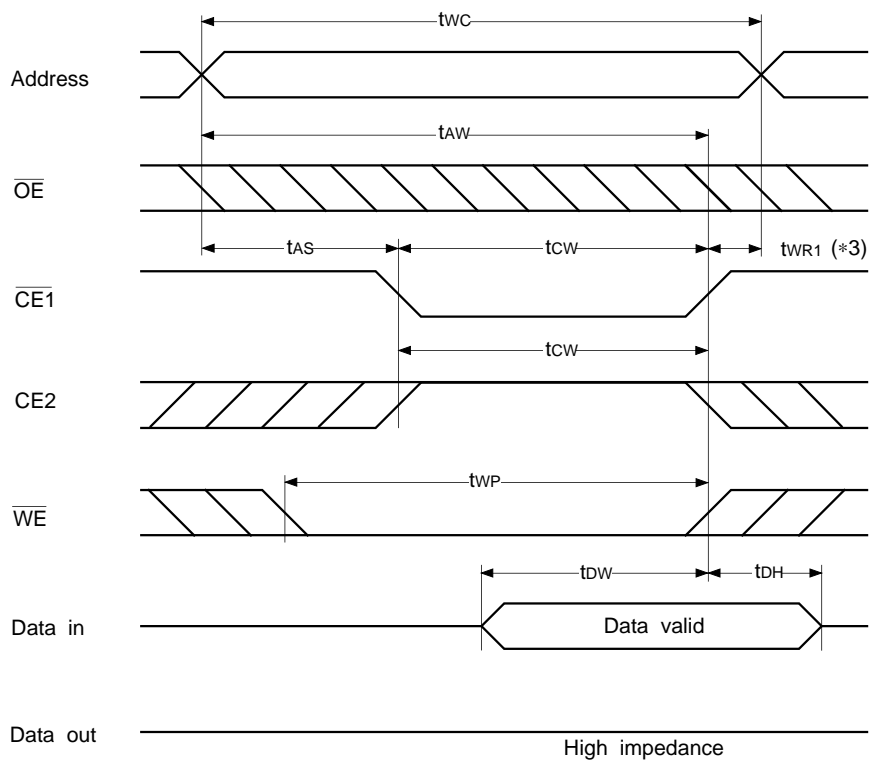
- Read cycle (2) : $\overline{WE} = V_{IH}$



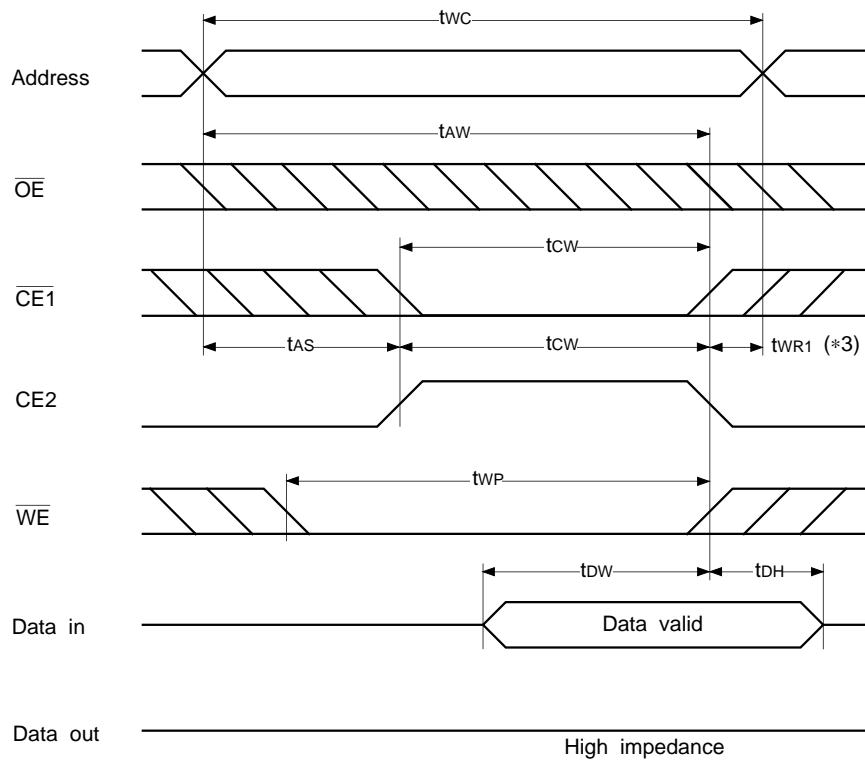
• Write cycle (1) : \overline{WE} control



• Write cycle (2) : $\overline{CE1}$ control



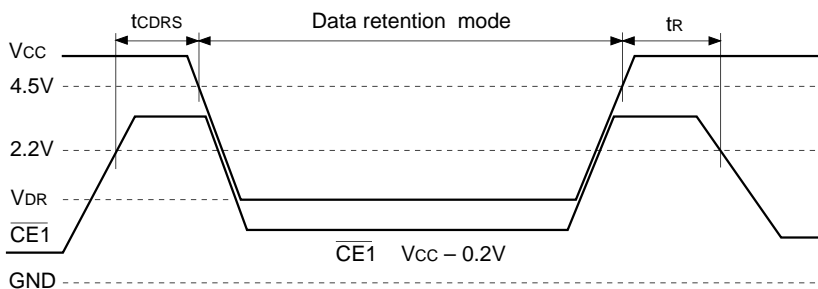
• Write cycle (3) : CE2 control



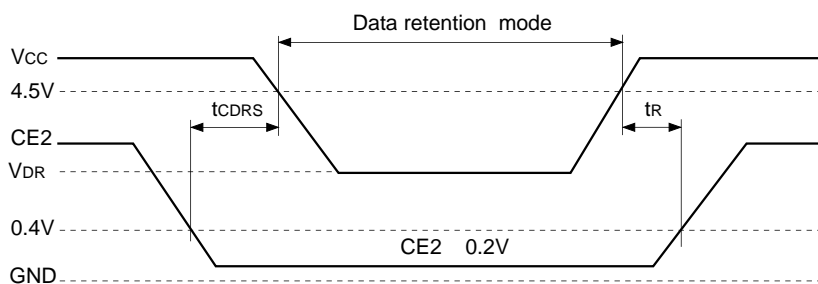
- *1 Write is executed when both $\overline{CE1}$ and \overline{WE} are at low and CE2 is at high simultaneously.
- *2 Do not apply the data input voltage of the opposite phase to the output while I/O pin is in output condition.
- *3 t_{WR1} is tested from either the rising edge of $\overline{CE1}$ or the falling edge of CE2, whichever comes earlier, until the end of the write cycle.

Data retention waveform

• Low supply voltage data retention waveform (1) ($\overline{CE1}$ control)



• Low supply voltage data retention waveform (2) (CE2 control)



Data Retention Characteristics

(Ta = -25 to +85°C)

Item	Symbol	Test conditions	Min.	Typ.	Max.	Unit	
Data retention voltage	V _{DR}	*1	2.0	—	3.6	V	
Data retention current	I _{CCDR1}	V _{CC} = 3.0V*1	-25 to +85°C	—	—	24	μA
			-25 to +70°C	—	—	12	
			+25°C	—	0.4	—	
	I _{CCDR2}	V _{CC} = 2.0 to 3.6V*1	—	0.48*2	28	μA	
Data retention setup time	t _{CDRS}	Chip disable to data retention mode	0	—	—	ns	
Recovery time	t _R		5	—	—	ms	

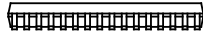
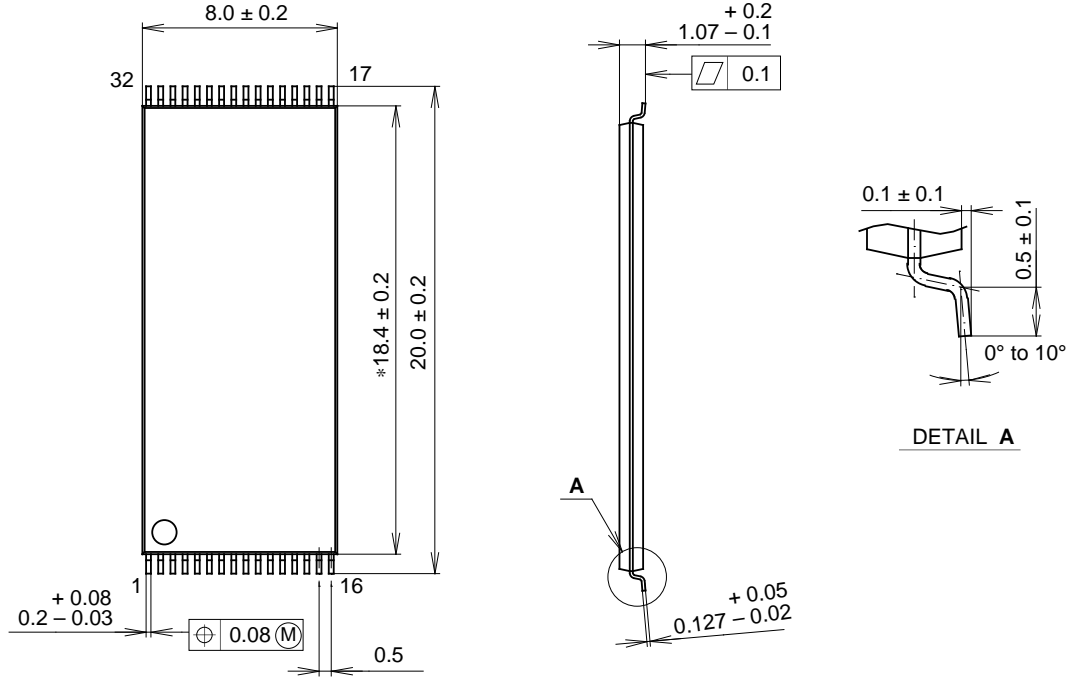
*1 $\overline{CE1} \geq V_{CC} - 0.2V$, $CE2 \geq V_{CC} - 0.2V$ ($\overline{CE1}$ control) or $CE2 \leq 0.2V$ (CE2 control)

*2 V_{CC} = 3.3V, Ta = 25°C

Package Outline

Unit: mm

32PIN TSOP (I) (PLASTIC)



NOTE : *NOT INCLUDE MOLD FINIS.

PACKAGE STRUCTURE

SONY CODE	TSOP-32P-L01
EIAJ CODE	TSOP032-P-0820-A
JEDEC CODE	_____

PACKAGE MATERIAL	EPOXY / PHENOL RESIN
LEAD TREATMENT	SOLDER PLATING
LEAD MATERIAL	42 ALLOY
PACKAGE WEIGHT	_____