

# Ceramic High Pass Filter

2640 to 7000 MHz

**NEW!**  
**HFCN-2275**



**BLUE CELL™**

CASE STYLE: FV1206

## Maximum Ratings

Operating Temperature	-55°C to 100°C
Storage Temperature	-55°C to 100°C
RF Power Input*	7W max. at 25°C

\*Passband rating, derate linearly to 3W at 100°C ambient.

## Pin Connections

RF IN	1**
RF OUT	3**
GROUND	2,4

\*\*RF IN & RF OUT can be interchanged

## Features

- low cost
- small size
- 7 sections
- temperature stable
- dc block in/out, breakdown voltage, 1kV typ.
- excellent power handling, 7W

## Applications

- sub-harmonic rejection and dc blocking
- transmitters/receivers
- lab use

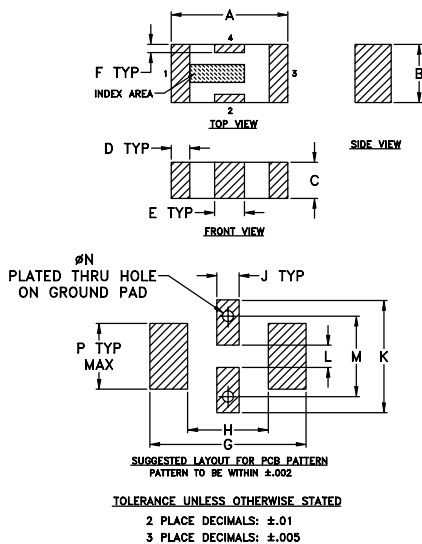
Model	Price	Qty.
HFCN-2275	\$1.99	(10-49)
HFCN-2275D	\$2.49	(10-49)

## High Pass Filter Electrical Specifications<sup>1</sup> (T<sub>AMB</sub>=25°C)

MODEL NO.	STOP BAND (MHz) Min.	f <sub>co</sub> , MHz Nom. (loss > 3 dB) Typ.	PASSBAND (MHz) Max. (loss < 2 dB) Typ.	VSWR Typ. Frequency (MHz) 1.5:1 Stopband	POWER INPUT (W)	NO. OF SECTIONS
HFCN-2275	1400 (loss > 40 dB)	1770 (loss > 20 dB)	2275	2640-6230 2450-7000	20:1 2580-6000	7

1. For Applications requiring DC voltage to be applied to the Input or output, use HFCN-2275D (DC Resistance to ground is 100 Mohms min.)

## Outline Drawing



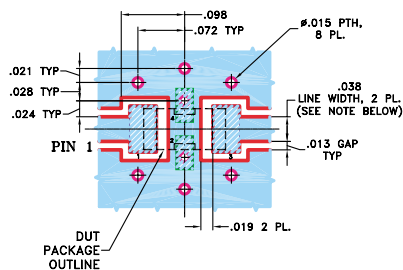
## Outline Dimensions (inch)

A	B	C	D	E	F	G
.126	.063	.037	.024	.032	.009	.169
3.20	1.60	0.94	0.51	0.81	0.23	4.29

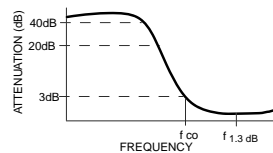
H	J	K	L	M	N	P	wt
.087	.024	.122	.024	.087	.012	.071	grams
2.21	0.61	3.10	0.61	2.21	0.30	1.80	.020

## Demo Board MCL P/N: TB-270 Suggested PCB Layout (PL-137)

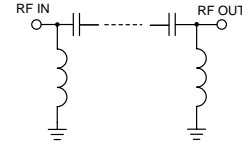


- DENOTES PCB COPPER LAYOUT
- DENOTES COPPER LAND PATTERN FREE OF SOLDERMASK

## typical frequency response

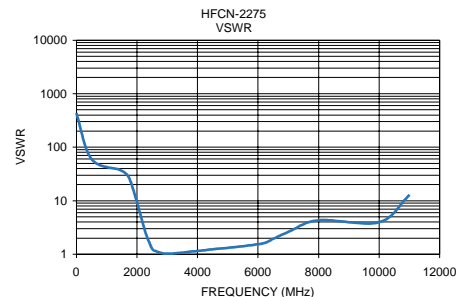
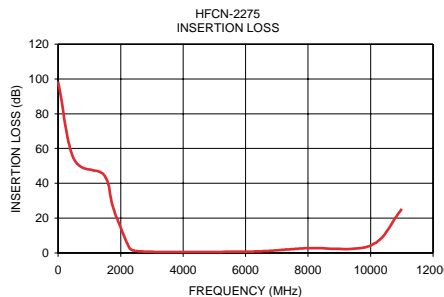


## schematic



## Typical Performance Data at 25°C

Frequency (MHz)	Insertion Loss (dB)	VSWR (:1)
1.00	98.51	434.30
500.00	54.08	59.91
1470.00	44.75	36.97
1770.00	25.43	24.48
2280.00	2.90	2.59
2480.00	1.26	1.35
2580.00	0.98	1.17
3000.00	0.64	1.02
4000.00	0.52	1.16
6080.00	0.75	1.56
6520.00	0.99	1.96
7000.00	1.51	2.61
8000.00	2.77	4.33
10000.00	4.28	3.95
11000.00	25.26	12.89



## designers kit available

Kit No.	No. of Units in Kit	Description	Price \$ per Kit
K1-HFCN	40	5 of each: HFCN-650,-740,-1200,-1500,-1760,-2000,-2275,-2700	79.95

**Mini-Circuits®**

Distribution Centers NORTH AMERICA 800-654-7949 • 417-335-5935 • Fax 417-335-5945 • EUROPE 44-1252-832600 • Fax 44-1252-837010

Mini-Circuits ISO 9001 & ISO 14001 Certified

INTERNET <http://www.minicircuits.com>

P.O. Box 350166, Brooklyn, New York 11235-0003 (718) 934-4500 Fax (718) 332-4661

REV. C  
M96263  
EDR-6464/4  
HFCN-2275  
AD/RS/CP  
050113