

MAXIM

MAX3861 Evaluation Kit

Evaluates: MAX3861

General Description

The MAX3861 EV kit is a fully assembled demonstration kit that provides easy evaluation of the MAX3861 2.7Gbps +3.3V automatic gain-control amplifier. The evaluation kit also includes a calibration circuit that allows bandwidth measurements.

Features

- ◆ Easy 3.3V Electrical Evaluation of the MAX3861
- ◆ Fully Assembled and Tested
- ◆ EV Kit Designed for 50Ω Interfaces

Component Suppliers

SUPPLIER	PHONE	FAX
AVX	843-448-9411	843-448-1943
Coilcraft	847-639-6400	847-639-1469
Murata	814-237-1431	814-238-0490
Venkel	800-950-8365	512-794-0087

Note: Please indicate that you are using the MAX3861 when ordering from these suppliers.

Ordering Information

PART	TEMP RANGE	IC PACKAGE
MAX3861EVKIT	-40°C to +85°C	24 QFN

Component List

DESIGNATION	QTY	DESCRIPTION
C1–C8	8	0.1μF ±10% ceramic capacitors (0402)
C9, C12	2	0.22μF ±10% ceramic capacitors (0603)
C10, C11, C13–C17	7	0.1μF ±10% ceramic capacitors (0603)
C18	1	2200pF ±10% ceramic capacitor (0603)
C19	1	2.2μF ±10% ceramic capacitor (1206)
C20	1	33μF ±10% tantalum capacitor (1808)
J1–J8	8	SMA connectors, edge mount
JU1	1	1 × 3-pin header (0.1in centers)
JU2–JU7, JU9	0	1 × 2-pin headers (0.1in centers) DO NOT INSTALL

DESIGNATION	QTY	DESCRIPTION
L1, L2, L3	3	56nH inductors Coilcraft 1206CS-560XKBC
LED1	1	Red LED
R1	1	221Ω ±1% resistor (0603)
R2, R3	2	49.9kΩ ±1% resistors (0603)
R4	1	392Ω ±1% resistor (0603)
R5	1	500Ω potentiometer
R6, R7	2	50kΩ potentiometers
TP1–TP7, VCC, GND (JU8)	10	Test points
U1	1	MAX3861EGG 24-pin QFN*
None	1	MAX3861 evaluation circuit board, rev C
None	1	MAX3861 data sheet

*U1 has an exposed pad that requires it to be solder-attached to the circuit board to ensure proper part functionality.

MAX3861 Evaluation Kit

Quick Start

- 1) Connect a differential signal source with 100mV_{P-P} amplitude with a 2²³ - 1 PRBS or K28.5 pattern to the differential inputs of the MAX3861 EV kit (J1 and J2). Set the signal source data rate to 2.7Gbps.
- 2) Connect OUT+ (J3) and OUT- (J4) to the 50Ω inputs of a high-speed oscilloscope
- 3) Connect a +3.3V power supply to the VCC test point, then connect the power-supply ground to the GND test point. Power-up board.
- 4) Adjust potentiometer R7 to set the output amplitude. Turn the potentiometer clockwise to increase amplitude.

Detailed Description

The MAX3861 EV kit simplifies MAX3861 evaluation. In jumper descriptions, “top” and “bottom” refer to the board positioned with the GND and VCC terminals at the top.

Threshold Resistor Setting

Potentiometers R5 and R6 set the signal detect threshold. The total threshold resistance R_{TH} is the sum of R5, R6, and the 221Ω resistor R1. If R5 and R6 are both at maximum resistance, the threshold will be set at its minimum value. Refer to the Signal Detect Threshold vs. R_{TH} graph in the *Typical Operating Characteristics* section in the MAX3861 data sheet for correct sizing.

Swing Control Setting

The output amplitude is controlled by potentiometer R7. If maximum output amplitude is desired, decrease R7 to its minimum value to create minimal resistance between VREF and SC. If maximum output amplitude is not desired, increase the resistance until the desired output amplitude is reached. Refer to the Output Signal Amplitude vs. SC Pin Voltage graph in the *Typical Operating Characteristics* section of the MAX3861 data sheet.

Signal Detection Enable

Jumper JU1 sets the EN pin. To enable signal detection circuitry (SD and RSSI), shunt the top two pins of JU1 or leave the jumper open. To disable, shunt the bottom two pins.

TH Test Point

The TH test point (TP1) can be used to measure the voltage at the TH pin, or to measure the total resistance R_{TH} to ground. Refer to the Signal Detect Threshold vs. R_{TH} graph in the *Typical Operating Characteristics* section of the MAX3861 data sheet.

EN Test Point

The EN test point (TP2) is used to test the EN pin voltage. Make sure the pin has +3.3V to enable the signal detection circuitry and 0V to disable it.

VREF Test Point

Use the VREF test point (TP3) to ensure $V_{REF} = 2V$.

SC Test Point

Use the SC test point (TP4) to measure the voltage on the SC pin. Refer to the *Typical Operating Characteristics* section of the MAX3861 data sheet.

OSM Test Point

The OSM test point (TP5) can be used to monitor the output signal strength.

SD Test Point

Use the SD test point (TP6) to measure the signal detect output. This pin should indicate low (<0.4V) when the input signal falls below the threshold set at the TH pin, and indicate high (>2.4V) in normal operation.

RSSI Test Point

The RSSI test point (TP7) can be used to monitor the input signal strength.

MAX3861 Evaluation Kit

Evaluates: MAX3861

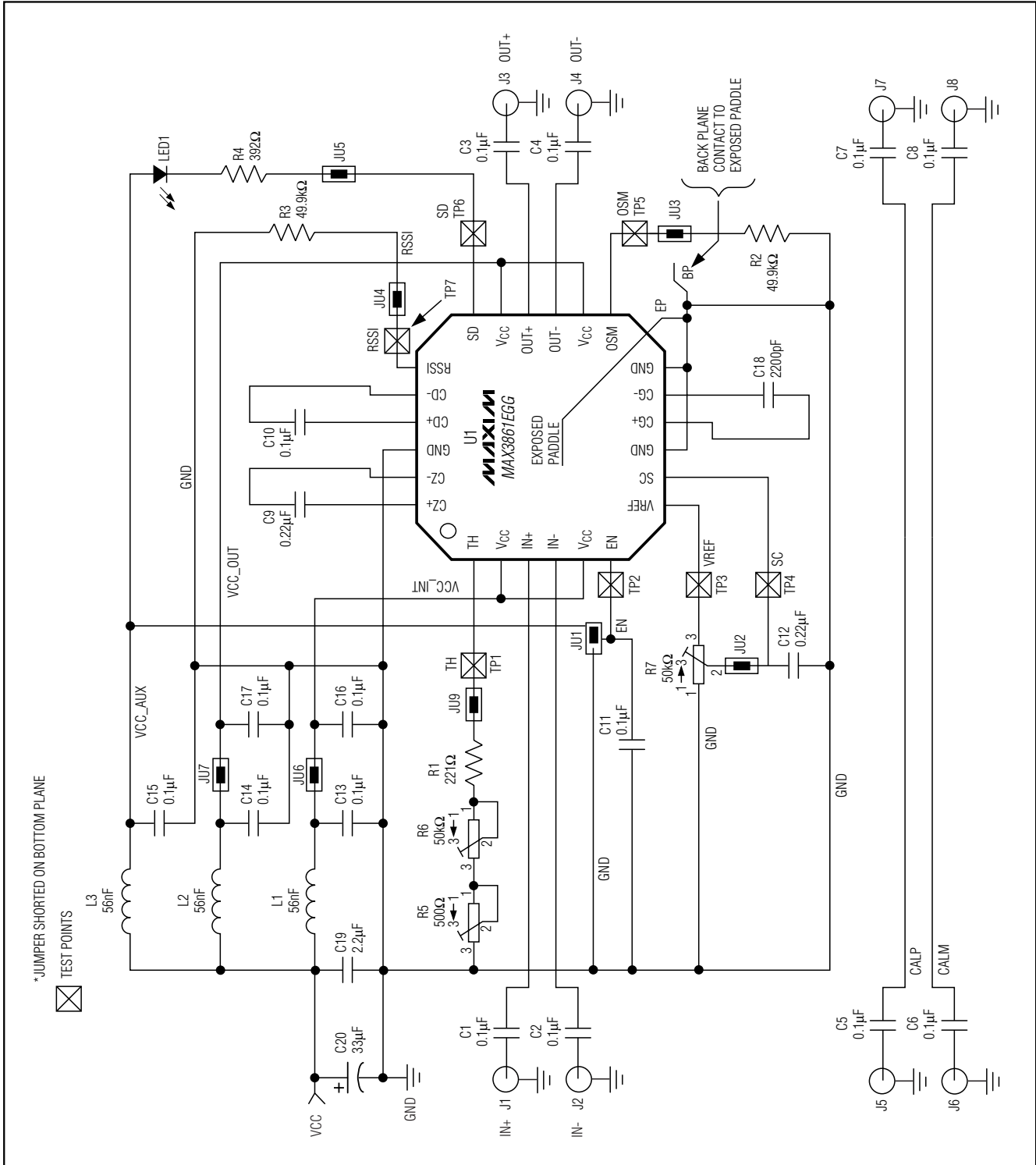


Figure 1. MAX3861 EV Kit Schematic

MAX3861 Evaluation Kit

Evaluates: MAX3861

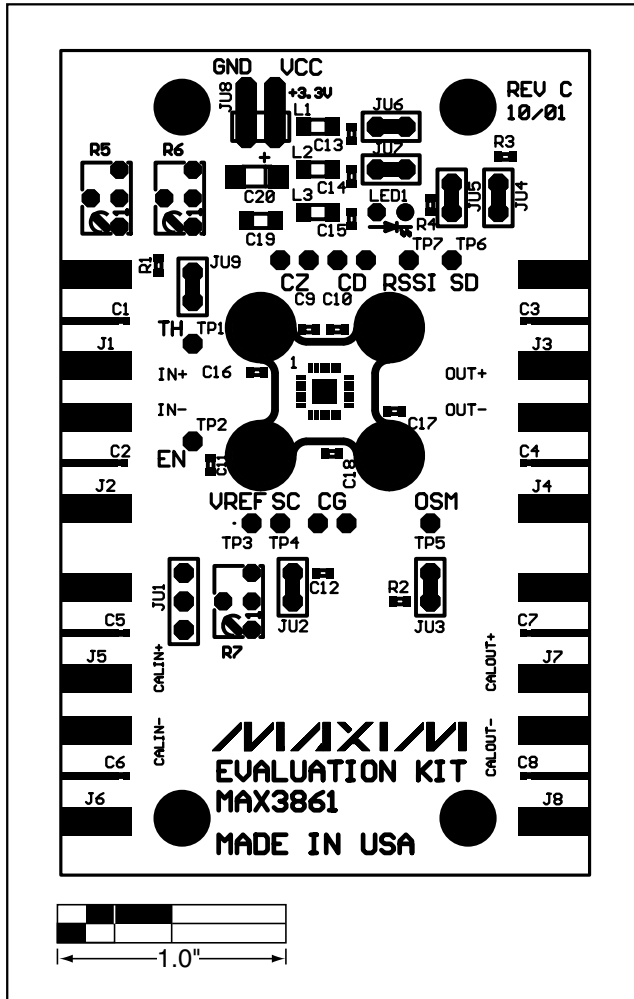


Figure 2. MAX3861 EV Kit Component Placement Guide—Component Side

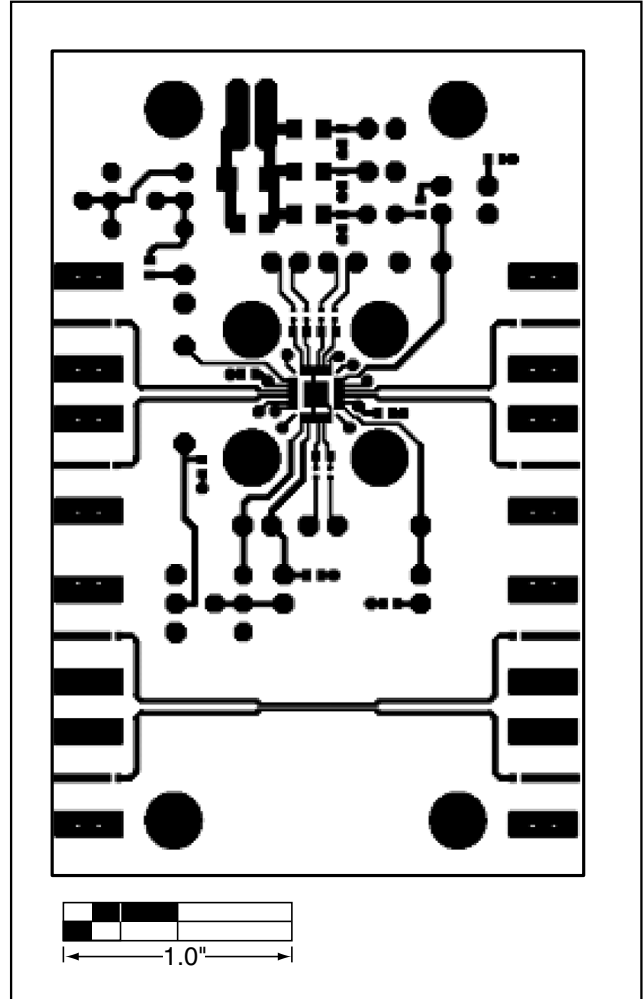


Figure 3. MAX3861 EV Kit PC Board Layout—Component Side

MAX3861 Evaluation Kit

Evaluates: MAX3861

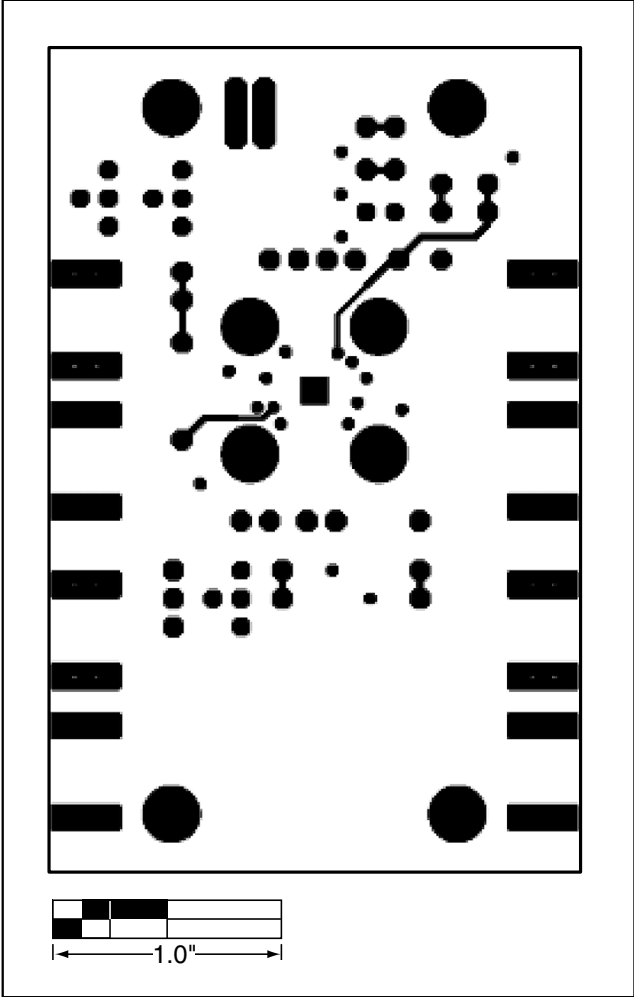


Figure 4. MAX3861 EV Kit PC Board Layout—Solder Side

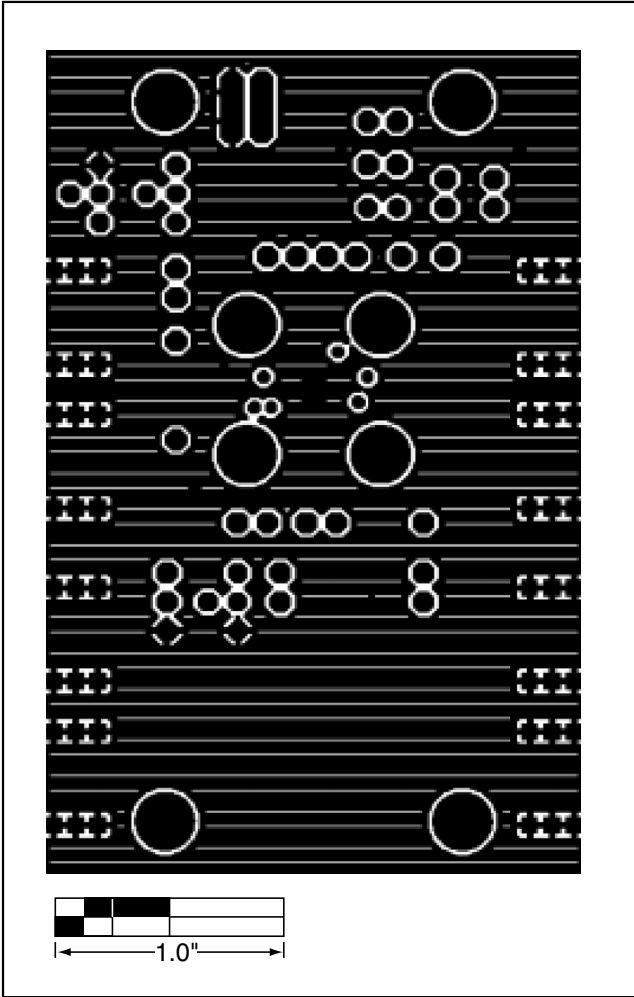


Figure 5. MAX3861 EV Kit PC Board Layout—Ground Plane

MAX3861 Evaluation Kit

Evaluates: MAX3861

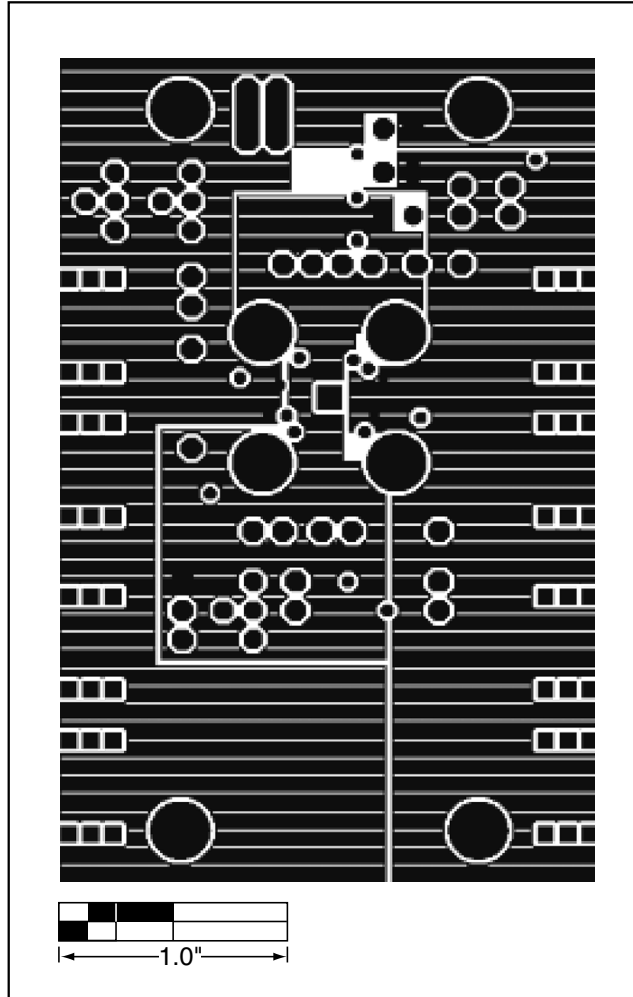


Figure 6. MAX3861 EV Kit PC Board Layout—Power Plane

Maxim cannot assume responsibility for use of any circuitry other than circuitry entirely embodied in a Maxim product. No circuit patent licenses are implied. Maxim reserves the right to change the circuitry and specifications without notice at any time.

6 _____ **Maxim Integrated Products, 120 San Gabriel Drive, Sunnyvale, CA 94086 408-737-7600**