

## LOW COST DEFLECTION PROCESSOR FOR MULTISYNC MONITORS

PRELIMINARY DATA

### HORIZONTAL

- SELF-ADAPTATIVE
- DUAL PLL CONCEPT
- 150kHz MAXIMUM FREQUENCY
- X-RAY PROTECTION INPUT
- I<sup>2</sup>C CONTROLS : HORIZONTAL POSITION, FREQUENCY GENERATOR FOR BURN-IN MODE

### VERTICAL

- VERTICAL RAMP GENERATOR
- 50 TO 165Hz AGC LOOP
- GEOMETRY TRACKING WITH V-POS & AMP
- I<sup>2</sup>C CONTROLS : V-AMP, V-POS, S-CORR, C-CORR

### I<sup>2</sup>C GEOMETRY CORRECTIONS

- VERTICAL PARABOLA GENERATOR (Pincushion, Keystone, Corner Correction, Top/bottom Corner Correction Balance)
- HORIZONTAL DYNAMIC PHASE (Side Pin Balance & Parallelogram)
- HORIZONTAL AND VERTICAL DYNAMIC FOCUS (Horizontal Focus Amplitude, Horizontal Focus Symmetry)

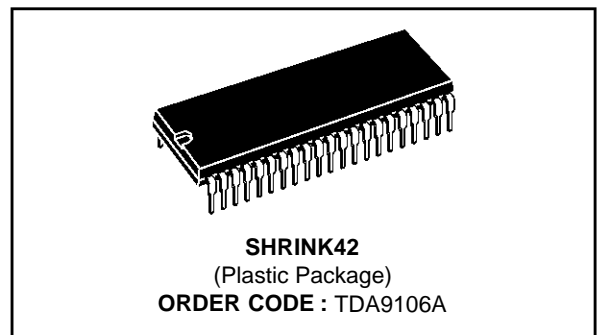
### GENERAL

- SYNC PROCESSOR
- HOR. & VERT. SYNC OUTPUT FOR MCU
- HOR. & VERT. BLANKING OUTPUTS
- 12V SUPPLY VOLTAGE
- 8V REFERENCE VOLTAGE
- HOR. & VERT. LOCK UNLOCK OUTPUTS
- READ/WRITE I<sup>2</sup>C INTERFACE
- HORIZONTAL MOIRE OR DAC OUTPUT

### DESCRIPTION

The TDA9106A is a monolithic integrated circuit assembled in 42 pins shrunk dual in line plastic package. This IC controls all the functions related to the horizontal and vertical deflection in multimodes or multi-frequency computer display monitors. The internal sync processor, combined with the very powerful geometry correction block are making the TDA9106A suitable for very high performance monitors with very few external components. It is particularly well suited for high-end 15" and 17" monitors.

Combined with ST7275 Microcontroller family, TDA9206 (Video preamplifier) and STV942x (On-Screen Display controller) the TDA9106A allows to built fully I<sup>2</sup>C bus controlled computer display monitors, thus reducing the number of external components to a minimum value.



### PIN CONNECTIONS

S/G	1	42	GND
MOIRE	2	41	SDA
PLL1INHIB	3	40	SCL
PLL2C	4	39	5V
HREF	5	38	H/HVIN
HFLY	6	37	HLOCKOUT
HGND	7	36	HOUT
FC2	8	35	VSYNCOUT
FC1	9	34	TEST
C0	10	33	VSYNCIN
R0	11	32	VFOCUS
PLL1F	12	31	EWOUT
HLOCKCAP	13	30	VFLY
HPOS	14	29	VOUT
XRAY	15	28	VDCOUT
HFOCUSCAP	16	27	VCAP
HFOCUS	17	26	V <sub>REF</sub>
V <sub>CC</sub>	18	25	VAGCCAP
GND	19	24	VGND
HOUTEM	20	23	VBLKOUT
HOUTCOL	21	22	HBLKOUT

**PIN CONNECTIONS**

Pin	Name	Function
1	S/G	Sync on green input
2	MOIRE	Moire output
3	PLL1 INHIB	TTL-Compatible input for PLL1 inhibition
4	PLL2C	Second PLL Loop Filter
5	HREF	Horizontal Section Reference Voltage (to filter)
6	HFLY	Horizontal Flyback Input (positive polarity)
7	HGND	Horizontal Section Ground
8	FC2	VCO Low Threshold filtering Capacitor
9	FC1	VCO High Threshold filtering Capacitor
10	C0	Horizontal Oscillator Capacitor
11	R0	Horizontal Oscillator Resistor
12	PLL1F	First PLL Loop Filter
13	HLOCKCAP	First PLL Lock/Unlock Time Constant Capacitor
14	HPOS	Horizontal Centering Output (to filter)
15	XRAY	X-RAY protection input (with internal latch function)
16	HFOCUSCAP	Horizontal Dynamic Focus Oscillator Capacitor
17	HFOCUS	Horizontal Dynamic Focus Output
18	V <sub>CC</sub>	Supply Voltage (12V Typ)
19	GND	General Ground (related to V <sub>CC</sub> )
20	HOUTEM	Horizontal Drive Output (internal transistor emitter)
21	HOUTCOL	Horizontal Drive Output (int. trans. open collector)
22	HBLKOUT	Horizontal Blanking Output (see activation table)
23	VBLKOUT	Vertical Blanking Output (see activation table)
24	VGND	Vertical Section Ground
25	VAGCCAP	Memory Capacitor for Automatic Gain Control Loop in Vertical Ramp Generator
26	V <sub>REF</sub>	Vertical Section Reference Voltage (to filter)
27	VCAP	Vertical Sawtooth Generator Capacitor
28	V <sub>DCOUT</sub>	Vertical Position Reference Voltage Output
29	VOUT	Vertical Ramp Output (with frequency independant amplitude and S or C Corrections if any)
30	VFLY	Vertical Flyback Input (positive polarity)
31	EWOUT	East/West Pincushion Correction Parabola Output (with Corner corrections if any)
32	VFOCUS	Vertical Dynamic Focus Output
33	VSYNCIN	TTL-compatible Vertical Sync Input (for separated H&V)
34	TEST	Not to be used - Test pin
35	VSYNCOUT	TTL Vertical Sync Output (Extracted VSYNC in case of S/G or TTL Composite HV Inputs)
36	HOUT	TTL Horizontal Sync Output (To be used for frequency measurement)
37	HLOCKOUT	First PLL Lock/Unlock Output (5V unlocked - 0V locked)
38	H/HVIN	TTL-compatible Horizontal Sync Input
39	5V	Supply Voltage (5V Typ.)
40	SCL	I <sup>2</sup> C-Clock input
41	SDA	I <sup>2</sup> C-Data input
42	GND	Ground (Related to 5V)

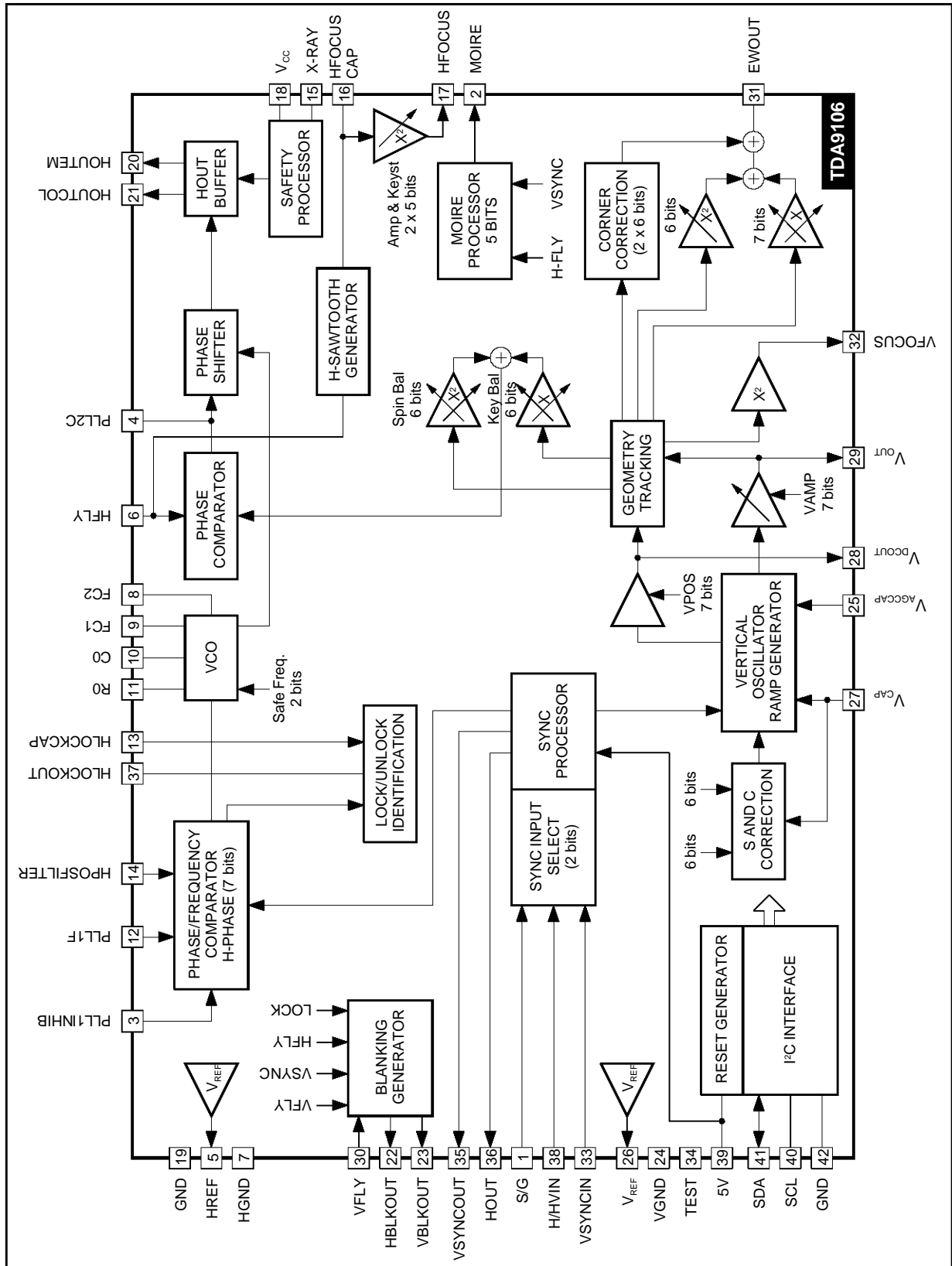
9106A-01.TBL

## QUICK REFERENCE DATA

Parameter	Value	Unit
Horizontal Frequency	15 to 150	kHz
Autosynch Frequency (for given R0 and C0)	1 to 4.5	FH
± Horizontal Sync Polarity Input	YES	
Polarity Detection (on both Horizontal and Vertical Sections)	YES	
TTL Composite Synch or Sync on Green	YES	
Lock/Unlock Identification (on both Horizontal 1st PLL and Vertical Section)	YES	
I <sup>2</sup> C Control for H-Position	± 10	%
XRay Protection	YES	
Fixed Horizontal Duty Cycle	48	%
I <sup>2</sup> C Free Running Adjustment	NO	F0
Stand-by Function	YES	
Two Polarities H-Drive Outputs	YES	
Supply Voltage Monitoring	YES	
PLL1 Inhibition Possibility	YES	
Blanking Outputs (both Horizontal and Vertical)	YES	
Vertical Frequency	35 to 200	Hz
Vertical Autosync (for 150nF)	50 to 165	Hz
Vertical S-Correction	YES	
Vertical C-Correction	YES	
Vertical Amplitude Adjustment	YES	
Vertical Position Adjustment	YES	
East/West Parabola Output	YES	
Pin Cushion Correction Amplitude Adjustment	YES	
Keystone Adjustment	YES	
Corner and Corner Balance Adjustments	YES	
Internal Dynamic Horizontal Phase Control	YES	
Side Pin Balance Amplitude Adjustment	YES	
Parallelogram Adjustment	YES	
Tracking of Geometric Corrections	YES	
Reference Voltage (both on Horizontal and Vertical)	YES	
Dynamic Focus (both Horizontal and Vertical)	YES	
I <sup>2</sup> C Horizontal Dynamic Focus Amplitude Adjustment	YES	
I <sup>2</sup> C Horizontal Dynamic Focus Keystone Adjustment	YES	
Type of Input Sync Detection (supplied by 5V Digital Supply)	YES	
Horizontal Moiré Output	YES	
I <sup>2</sup> C Controlled H-Moiré Amplitude	YES	
Frequency Generator for Burn-in	YES	
Fast I <sup>2</sup> C Read/Write	400	kHz

9106A-02.TBL

BLOCK DIAGRAM



9106A-02 EFS

## ABSOLUTE MAXIMUM RATINGS

Symbol	Parameter	Value	Unit
V <sub>CC</sub>	Supply Voltage (Pin 18)	13.5	V
V <sub>DD</sub>	Supply Voltage (Pin 39)	5.7	V
V <sub>IN</sub>	Max Voltage on Pin 6	1.8	V
	Pins 15, 21, 22, 23	12	V
	Pin 1	3.6	V
	Pin 4	4	V
	Pins 3, 33,34,37,38,40,41	5	V
	Pin 16	6	V
	Pins 8, 9, 10, 11, 12, 13, 14, 25, 27, 30	8	V
VESD	ESD susceptibility Human Body Model, 100pF Discharge through 1.5kΩ	2	kV
	EIAJ Norm, 200pF Discharge through 0Ω	300	V
T <sub>stg</sub>	Storage Temperature	-40, +150	°C
T <sub>j</sub>	Junction Temperature	+150	°C
T <sub>oper</sub>	Operating Temperature	0, +70	°C

9106A-03.TBL

## THERMAL DATA

Symbol	Parameter	Value	Unit
R <sub>th(j-a)</sub>	Junction-ambient Thermal Resistance	Max. 65	°C/W

9106A-04.TBL

## SYNCHRO PROCESSOR

## Operating Conditions

Symbol	Parameter	Test Conditions	Min.	Typ.	Max.	Unit
HsVR	Horizontal Sync Input Voltage	Pin 38	0		5	V
MinD	Minimum Horizontal Input Pulses Duration	Pin 38	0.7			μs
Mduty	Maximum Horizontal Input Signal Duty Cycle	Pin 38			25	%
VsVR	Vertical Sync Input Voltage	Pin 33	0		5	V
VSW	Minimum Vertical Sync Pulse Width	Pin 33	5			μs
VSmD	Maximum Vertical Sync Input Duty Cycle	Pin 33			15	%
VextM	Maximum Vertical Sync Width on TTL H/Vcomposite or S/G	Pins 1, 38			750	μs

Electrical Characteristics (V<sub>DD</sub> = 5V, T<sub>amb</sub> = 25°C)

Symbol	Parameter	Test Conditions	Min.	Typ.	Max.	Unit
VSGDC	S/G Clamped DC Level	Pin 1, I <sub>1</sub> = -1μA		1		V
ISGbias	Internal Diode Bias Current	Pin 1, V <sub>1</sub> = 1.6V		10		μA
VSGTh	Slicing Level (see application design choice)	Pin 1		0.2		V
VINTh	Horizontal and Vertical Input Voltage (Pins 33,38)	Low Level			0.8	V
		High Level	2.2			V
RIN	Horizontal and Vertical Pull-Up Resistor	Pins 33,38		200		kΩ
VOut	Output Voltage (Pins 35,36,37)	Low level		0		V
		High Level		5		V
TfrOut	Falling and Rising Output CMOS Buffer	Pins 35,36,37 Cout = 20pF		100		ns
VHlock	Horizontal 1st PLL Lock Output Status (Pin 37)	Locked		0		V
		Unlocked		5		V
VoutT	Extracted Vsync Integration Time (% of TH) on H/V Composite or S/G	Pin 35, C0 = 820pF	26	35		%

9106A-05.TBL

## TDA9106A

### I<sup>2</sup>C READ/WRITE

**Electrical Characteristics** ( $V_{DD} = 5V, T_{amb} = 25^{\circ}C$ )

Symbol	Parameter	Test Conditions	Min.	Typ.	Max.	Unit
I <sup>2</sup> C PROCESSOR						
F <sub>scl</sub>	Maximum Clock Frequency	Pin 40	400			kHz
T <sub>low</sub>	Low period of the SCL Clock	Pin 40	1.3			μs
T <sub>high</sub>	High period of the SCL Clock	Pin 40	0.6			μs
V <sub>inth</sub>	SDA and SCL Input Threshold	Pins 40,41		2.2		V
V <sub>ACK</sub>	Acknowledge Output Voltage on SDA input with 3mA	Pin 41			0.4	V

See also I<sup>2</sup>C Table Control and I2C Sub Address Control

### HORIZONTAL SECTION

#### Operating Conditions

Symbol	Parameter	Test Conditions	Min.	Typ.	Max.	Unit
VCO						
R <sub>0(Min.)</sub>	Minimum Oscillator Resistor	Pin 11	6			kΩ
C <sub>0(Min.)</sub>	Minimum Oscillator Capacitor	Pin 10	390			pF
F <sub>(Max.)</sub>	Maximum Oscillator Frequency				150	kHz

#### OUTPUT SECTION

I <sub>6m</sub>	Maximum Input Peak Current	Pin 6			2	mA
HOI1 HOI2	Horizontal Drive Output Maximum Current Pin 20 Pin 21	Sourced current Sunk current			20 20	mA mA

**Electrical Characteristics** ( $V_{CC} = 12V, T_{amb} = 25^{\circ}C$ )

Symbol	Parameter	Test Conditions	Min.	Typ.	Max.	Unit
SUPPLY AND REFERENCE VOLTAGES						
V <sub>CC</sub>	Supply Voltage	Pin 18	10.8	12	13.2	V
V <sub>DD</sub>	Supply Voltage	Pin 39	4.5	5	5.5	V
I <sub>CC</sub>	Supply Current	Pin 18		50		mA
I <sub>DD</sub>	Supply Current	Pin 39		5		mA
V <sub>REF-H</sub>	Horizontal Reference Voltage	Pin 5, I = 5mA	7.4	8	8.6	V
V <sub>REF-V</sub>	Vertical Reference Voltage	Pin 5, I = 5mA	7.4	8	8.6	V
I <sub>REF-H</sub>	Max. Sourced Current on V <sub>REF-H</sub>	Pin 5			5	mA
I <sub>REF-V</sub>	Max. Sourced Current on V <sub>REF-V</sub>	Pin 26			5	mA

9106A-05.TBL

**HORIZONTAL SECTION** (continued)**Electrical Characteristics** ( $V_{CC} = 12V$ ,  $T_{amb} = 25^{\circ}C$ ) (continued)

Symbol	Parameter	Test Conditions	Min.	Typ.	Max.	Unit
1st PLL SECTION						
HpolT	Polarity Integration Delay		0.75			ms
Vvco	VCO Control Voltage (Pin12)	$V_{REF-H} = 8V$ $f_0$ $f_H(\text{Max.})$		$V_{REF-H} / 6$ 6.2		V V
Vcog	VCO Gain (Pin 12)	$R_0 = 6.49k\Omega$ , $C_0 = 820pF$ , $dF/dV = 1/11R_0C_0$		17		kHz/V
Hph	Horizontal Phase Adjustment	% of Horizontal Period		$\pm 10$		%
Hphmin	Horizontal Phase Decoupling Output Minimum Value Typical Value Maximum Value	Sub-Address 01, Pin 14 Byte x1111111 Byte x1000000 Byte x0000000		2.8		V
Hphtyp				3.4		V
Hphmax				4.0		V
$f_0$	Free Running Frequency	$R_0 = 6.49k\Omega$ , $C_0 = 820pF$ , $f_0 = 0.97/8R_0C_0$		22.3		kHz
dF0/dT	Free Running Frequency Thermal Drift (No drift on external components)			-150		ppm/C
CR	PLL1 Capture Range	$R_0 = 6.49k\Omega$ , $C_0 = 820pF$ , from $f_0 + 0.5kHz$ to $4.5F_0$ $f_H(\text{Min.})$ $f_H(\text{Max.})$	100		23.5	kHz kHz
PLLinH	PLL1 Inhibition (Pin3)	Typ Threshold = 1.6V PLL ON PLL OFF	2		0.8	V V
SFF	Safe Forced Frequency SF1 Byte 11xxxxxx SF2 Byte 10xxxxxx	Sub-Address 02		2F0 3F0		
FC1	VCO Sawtooth Level High $FC1 = (4 \cdot V_{REF-H})/5$ Low $FC2 = (V_{REF-H})/5$	Pin 9 To filter Pin 8 To filter		6.4		V
FC2				1.6		V

## 2nd PLL SECTION AND HORIZONTAL OUTPUT SECTION

FBth	Flyback Input Threshold Voltage (Pin 6)		0.65	0.75		V
Hjit	Horizontal Jitter (see Pins 8-9 filtering)			TBD		ppm
	Horizontal Drive Output Duty-Cycle (Pin 20 or 21) (see Note 1)			48		%
XRAYth	X-RAY Protection Input Threshold Voltage	Pin 15		8		V
Vphi2	Internal Clamping Levels on 2nd PLL Loop Filter (Pin 4)	Low Level High Level		1.6 4.0		V V
VSCinh			Threshold Voltage To Stop H-Out,V-Out when $V_{CC} < VSCinh$	Pin 18		7.5
IHblk	Maximum Horizontal Blanking Output Current	$I_{22}$			10	mA
VHblk	Horizontal Blanking Output Low Level (Blanking ON)	$V_{22}$ with $I_{22} = 10mA$		0.25	0.5	V
HDvd	Horizontal Drive Output Low Level (Pin 20 to GND) High Level (Pin 21 to $V_{CC}=12V$ )	$V_{21} - V_{20}$ , $I_{OUT} = 20mA$ $V_{20}$ , $I_{OUT} = 20mA$		1.1	1.7	V
HDem				9.5	10	V

- Notes :** 1. Duty Cycle is the ratio of power transistor OFF time to period. Power transistor is OFF when output transistor is OFF.  
2. Initial Condition for Safe Operation Start Up (Max. duty cycle).

9106A-05.TBL

**HORIZONTAL SECTION** (continued)

**Electrical Characteristics** ( $V_{CC} = 12V, T_{amb} = 25^{\circ}C$ ) (continued)

Symbol	Parameter	Test Conditions	Min.	Typ.	Max.	Unit
--------	-----------	-----------------	------	------	------	------

HORIZONTAL DYNAMIC FOCUS SECTION

HDFst	Horizontal Dynamic Focus Sawtooth Minimum Level Maximum Level	HfocusCap = $C_0 = 820pF$ , $f_H = 90kHz$ , Pin 16		2 4.7		V V
HDFdis	Horizontal Dynamic Focus Sawtooth Discharge Width	Driven by Hfly		500		ns
HDFDC	Bottom DC Output Level	$R_{LOAD} = 10k\Omega$ , Pin 17		2		V
TDHDF	DC Output Voltage Thermal Drift			200		ppm/C
HDFamp	Horizontal Dynamic Focus Amplitude Min Byte xxx11111 Typ Byte xxx10000 Max Byte xxx00000	Sub-Address 03, Pin 17, $f_H = 90kHz$ , Keystone Typ		1 1.5 3		$V_{PP}$ $V_{PP}$ $V_{PP}$
HDFkeyst	Horizontal Dynamic Focus Keystone  Min A/B Byte xxx11111 Typ Byte xxx10000 Max A/B Byte xxx00000	Sub-Address 04, $f_H = 90kHz$ , Typ Amp B/A A/B A/B		3.5 1.0 3.5		

MOIRE OUTPUT

$R_{MOIRE}$	Minimum Output Resistor	Pin 2	2			$k\Omega$
$V_{MOIRE}$	Output Voltage (moire off), Subaddress 0F	Pin 2, $R_{MOIRE} = 2k\Omega$ Byte 0xx00000 Byte 0xx10000 Byte 0xx11111		0.2 1.1 2.0		V V V

9106A-05.TBL



## VERTICAL SECTION

### Operating Conditions

Symbol	Parameter	Test Conditions	Min.	Typ.	Max.	Unit
--------	-----------	-----------------	------	------	------	------

#### OUTPUTS SECTION

VEWM	Maximum EW Output Voltage	Pin 31			6.5	V
VEWm	Minimum EW Output Voltage	Pin 31	1.8			V
VDFm	Minimum Vertical Dynamic Focus Output Voltage	Pin 32	1.8			V
RLOAD	Minimum Load for less than 1% Vertical Amplitude Drift	Pin 25	65			MΩ

### Electrical Characteristics ( $V_{CC} = 12V, T_{amb} = 25^{\circ}C$ )

Symbol	Parameter	Test Conditions	Min.	Typ.	Max.	Unit
--------	-----------	-----------------	------	------	------	------

#### VERTICAL RAMP SECTION

VRB	Voltage at Ramp Bottom Point	$V_{REF-V}=8V$ , Pin 27		2		V
VRT	Voltage at Ramp Top Point (with Sync) $V_{REF-V}$	Pin 27		5		V
VRTF	Voltage at Ramp Top Point (without Sync)	Pin 27		VRT-0.1		V
VSTD	Vertical Sawtooth Discharge Time Duration (Pin 27)	With 150nF Cap		80		μs
VFRF	Vertical Free Running Frequency (see Notes 3 & 4)	$C_{OSC}$ (Pin 27) = 150nF Measured on Pin 27,		100		Hz
ASFR	AUTO-SYNC Frequency	$C_{27} = 150nF \pm 5\%$ See Note 5	50		165	Hz
RAFD	Ramp Amplitude Drift Versus Frequency at Maximum Vertical Amplitude	$C_{27} = 150nF$ 50Hz < f and f < 165Hz		200	TBD	ppm/Hz
Rlin	Ramp Linearity on Pin 27 (see Notes 3 & 4)	$2.5 < V_{27}$ and $V_{27} < 4.5V$		0.5		%
Vpos	Vertical Position Adjustment Voltage (Pin 28)	Sub Address 06 Byte x0000000 Byte x1000000 Byte x1111111	3.65	3.2 3.5 3.8	3.3	V V V
IvPOS	Max Current on Vertical Position Output	Pin 28		±2		mA
VOR	Vertical Output Voltage (peak-to-peak on Pin 29)	Sub Address 05 Byte x0000000 Byte x1000000 Byte x1111111	3.5	2.25 3 3.75	2.5	V V V
VoutDC	DC Voltage on Vertical Output	See Note 6, Pin 29		3.5		V
VOI	Vertical Output Maximum Current (Pin 29)			±5		mA
dVS	Max Vertical S-Correction Amplitude x0xxxxxx inhibits S-CORR x1111111 gives max S-CORR	Subaddress 07 $\Delta V/V_{PP}$ at T/4 $\Delta V/V_{PP}$ at 3T/4		-4 +4		% %
Ccorr	Vertical C-Corr Amplitude x0xxxxxx inhibits C-CORR	SubAddress 08 Byte x1000000 Byte x1100000 Byte x1111111		-3 0 3		% % %
VflyTh	Vertical Flyback Threshold	Pin 30		1		V
VflyInh	Inhibition of Vertical Flyback Input	See Note 7, Pin 30	7.5			V

- Notes :**
- With Register 07 at Byte x0xxxxxx (Vertical S-Correction Control) then the S correction is inhibited, consequently the sawtooth has a linear shape.
  - With Register 08 at Byte x0xxxxxx (Vertical C - Correction Control) then the C correction is inhibited, consequently the sawtooth has a linear shape.
  - It is the frequency range for which the VERTICAL OSCILLATOR will automatically synchronize, using a single capacitor value on Pin 27 and with a constant ramp amplitude.
  - $V_{OUTDC} = (7/16) \cdot V_{REF-V}$ . Typically 3.5V for Vertical reference voltage typical value (8V).
  - When Pin 30 ( $V_{REF-V}$ ) - 0.5V, Vfly input is inhibited and vertical blanking on vertical blanking output is replaced by vertical sawtooth discharge time.

9106A-05.TBL

**VERTICAL SECTION** (continued)

**Electrical Characteristics** ( $V_{CC} = 12V, T_{amb} = 25^{\circ}C$ ) (continued)

Symbol	Parameter	Test Conditions	Min.	Typ.	Max.	Unit
EAST/WEST FUNCTION						
EW <sub>DC</sub>	DC Output Voltage with Typ V <sub>pos</sub> ,Keystone, Corner and Corner Balance Inhibited	Pin 31, see Figure 1		2.5		V
TDEW <sub>DC</sub>	DC Output Voltage Thermal Drift	See Note 8		100		ppm/C
EW <sub>para</sub>	Parabola Amplitude with Vamp Max, V-Pos Typ, Keystone, Corner and Corner Balance Inhibited	Subaddress 09 Byte 1x111111 Byte 1x100000 Byte 1x000000		2.6 1.4 0		V V V
EW <sub>track</sub>	Parabola Amplitude Function of V-AMP Control (tracking between V-AMP and E/W) with Typ V <sub>pos</sub> , Keystone, Corner and Corner Balance Inhibited, EW Typ Amplitude (see Note 9)	Subaddress 05 Byte 10000000 Byte 11000000 Byte 11111111		0.45 0.8 1.4		V V V
KeyAdj	Keystone Adjustment Capability with Typ V <sub>pos</sub> , Corner and Corner Balance Inhibited, EW Inhibited and Vertical Amplitude Max (see Note 9 and Figure 4)	Subaddress 0A Byte 10000000 Byte 11111111		1 1		V <sub>PP</sub> V <sub>PP</sub>
KeyTrack	Intrinsic Keystone Function of V-POS Control (tracking between V-POS and EW) with Corner and Corner Balance Inhibited, EW Max Amplitude and Vertical Amplitude Max (see Note 9) A/B Ratio B/A Ratio	Subaddress 06  Byte x0000000 Byte x1111111		0.5 0.5		
Corner Max	Max Corner Correction Amplitude with Vamp Max, V-POS Typ, EWamp, Keystone and Corner Balance Inhibited (see Note 9)	Subaddress 0B $\Delta$ EWout at T/6, 5T/6 Byte x1111111 Byte x1000000		+0.2 -0.2		V V
Corner BalMax	Max Corner Balance Correction Amplitude with Vamp Max, V-POS Typ, EWamp, Keystone and Corner Inhibited Subaddress 0C (see Note 9)	Byte 01111111 $\Delta$ EWout at T/4 $\Delta$ EWout at 3T/4		+0.2 -0.2		V V
		Byte 01000000 $\Delta$ EWout at T/4 $\Delta$ EWout at 3T/4		-0.2 +0.2		V V

INTERNAL HORIZONTAL DYNAMIC PHASE CONTROL FUNCTION

SPB <sub>para</sub>	Side Pin Balance Parabola Amplitude (Figure 2) with Vamp Max, V-POS Typ and Parallelogram Inhibited (see Notes 9 & 10)	Subaddress 0D Byte x1111111 Byte x1000000		1.4 -1.4		%TH %TH
SPB <sub>track</sub>	Side Pin Balance Parabola Amplitude function of Vamp Control (tracking between Vamp and SPB) with SPB Max, V-POS Typ and Parallelogram Inhibited (see Notes 9 & 10)	Subaddress 05 Byte 10000000 Byte 11000000 Byte 11111111		0.5 0.9 1.4		%TH %TH %TH
ParAdj	Parallelogram Adjustment Capability with Vamp Max, V-POS Typ and SPB Inhibited (see Notes 9, 10 & 11)	Subaddress 0E Byte x1111111 Byte x1000000		1.4 -1.4		%TH %TH
Par <sub>track</sub>	Intrinsic Parallelogram Function of Vpos Control (tracking between V-Pos and DHPC) with Vamp Max, SPB Max and Parallelogram Inhibited (see Notes 9 & 10) A/B Ratio B/A Ratio	Subaddress 06  Byte x0000000 Byte x1111111		0.5 0.5		

- Notes :** 8. These parameters are not tested on each unit. They are measured during our internal qualification  
 9. Refers to Notes 3 & 4 from last section.  
 10.TH is the Horizontal PLL Period Duration.  
 11.Figure 2 is representing effect of dynamic horizontal phase control.

9106A-05.TBL

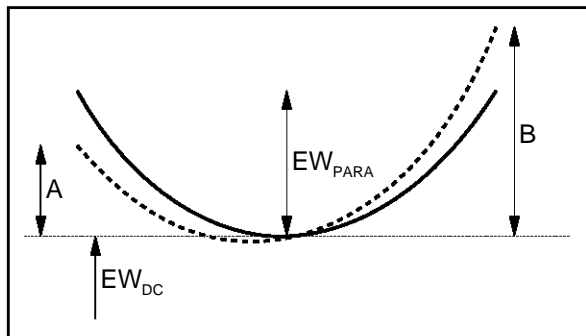
**VERTICAL SECTION (continued)**

**Electrical Characteristics** ( $V_{CC} = 12V, T_{amb} = 25^{\circ}C$ ) (continued)

Symbol	Parameter	Test Conditions	Min.	Typ.	Max.	Unit
VERTICAL DYNAMIC FOCUS FUNCTION						
VDF <sub>DC</sub>	DC Output Voltage with V-Pos Typ	See Figure 3		6		V
TDVDF <sub>DC</sub>	DC Output Voltage Thermal Drift	See Note 12		100		ppm/C
VDFAMP	Parabola Amplitude Function of Vamp (tracking between Vamp and VDF) with V-Pos Typ (see Figure 3) (see Note 13)	Subaddress 05 Byte 10000000 Byte 11000000 Byte 11111111		0.9 1.6 2.5		V V V
VDFKEY	Parabola Assymetry Function of VPos Control (tracking between V-Pos and VDF) with Vamp Max. (see Note 13)	Subaddress 06 Byte x0000000 Byte x1111111		0.5 0.5		

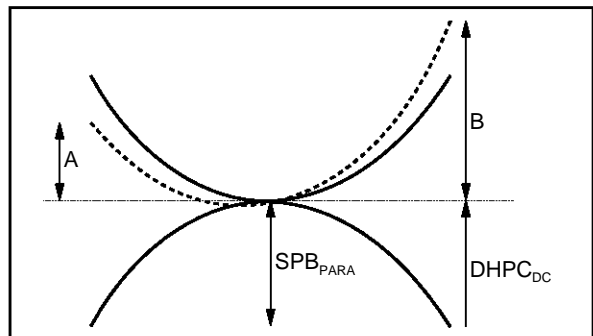
**Notes :** 12. Parameter not tested on each unit but measured during our internal qualification procedure including batches coming from corners of our process and also temperature characterization.  
13. S and C corrections are inhibited so the output sawtooth has a linear shape.

**Figure 1 : E/W Output**



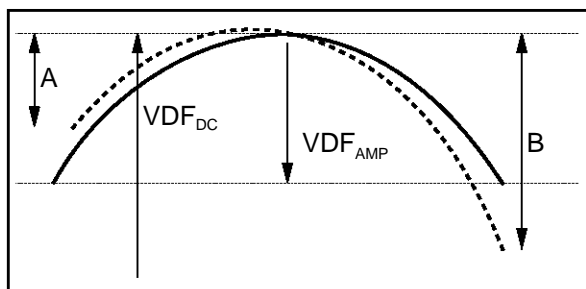
9106A-03.EPS

**Figure 2 : Dynamic Horizontal Phase Control Output**



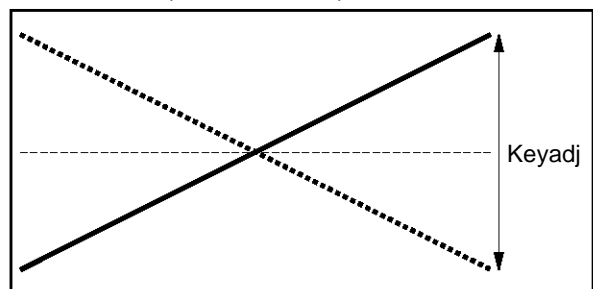
9106A-04.EPS

**Figure 3 : Vertical Dynamic Focus Function**



9106A-05.EPS

**Figure 4 : Keystone Effect on E/W Output (PCC Inhibited)**



9106-06A.EPS

TYPICAL VERTICAL OUTPUT WAVEFORMS

Function	Sub Address	Pin	Byte	Specification	Picture Image
Vertical Size	05	29	10000000  11111111		
Vertical Position DC Control	06	28	x0000000 x1000000 x11111111	<p>3.2V 3.5V 3.8V</p>	
Vertical S Linearity	07	29	x0xxxxxx Inhibited  x11111111		
Vertical C Linearity	08	29	x1000000  x11111111		

9106A-06.TBL / 9106A-07.EPS TO 9106A-13.EPS

GEOMETRY OUTPUT WAVEFORMS

Function	Sub Address	Pin	Byte	Specification	Picture Image
Trapezoid Control	0A	31	EWamp Typ. 10000000  11111111		
Pin Cushion Control	09	31	Keystone Inhibited 1x000000  1x111111		
Parrallelogram Control	0E	Internal	SPB Inhibited x1000000  x1111111		
Side Pin Balance Control	0D	Internal	Parallelogram Inhibited X10000000  x1111111		
Vertical Dynamic Focus		32			

9106A-07.TBL / 9106A-14.EPS TO 9106A-22.EPS

GEOMETRY OUTPUT WAVEFORMS (continued)

Function	Sub Address	Pin	Byte	Specification	Picture Image
Corner Control	0B	31	EWamp Typ. x1111111		
			01000000		
Corner Balance Control	0C	31	EWamp Typ. 10000000		
			11111111		

9106A-07.TBL / 9106A-23.EPS TO 9106A-30.EPS

**Note :** The specification of output voltage is indicated on 3.75V<sub>PP</sub> vertical sawtooth output condition. The output voltage depends on vertical sawtooth output voltage.

**I<sup>2</sup>C BUS ADDRESS TABLE****Sub Address Definition****Slave Address (8C) : Write Mode**

	D8	D7	D6	D5	D4	D3	D2	D1	
0	x	x	x	x	0	0	0	0	Horizontal Drive Selection
1	x	x	x	x	0	0	0	1	Horizontal Position
2	x	x	x	x	0	0	1	0	Safety Frequency
3	x	x	x	x	0	0	1	1	Synchro Priority / Horizontal Focus Amplitude
4	x	x	x	x	0	1	0	0	Refresh / Horizontal Focus Keystone
5	x	x	x	x	0	1	0	1	Vertical Ramp Amplitude
6	x	x	x	x	0	1	1	0	Vertical Position Adjustment
7	x	x	x	x	0	1	1	1	S Correction
8	x	x	x	x	1	0	0	0	C Correction
9	x	x	x	x	1	0	0	1	E/W Amplitude
A	x	x	x	x	1	0	1	0	E/W Keystone
B	x	x	x	x	1	0	1	1	Cbow Corner
C	x	x	x	x	1	1	0	0	Spin Corner
D	x	x	x	x	1	1	0	1	Side Pin Balance
E	x	x	x	x	1	1	1	0	Parallelogram
F	x	x	x	x	1	1	1	1	Moire Control Amplitude

**Slave Address (8D) : Read Mode**

	D8	D7	D6	D5	D4	D3	D2	D1	
0	x	x	x	x	0	0	0	0	Synchro and Polarity Detection

I<sup>2</sup>C BUS ADDRESS TABLE (continued)

Table : Register Map

	D8	D7	D6	D5	D4	D3	D2	D1
WRITE MODE								
00	Blk Sel 1, Blk [0]	HDrive 0, off [1], on						
01	Xray 1, reset [0]	Horizontal Phase Adjustment						
		[1]	[0]	[0]	[0]	[0]	[0]	[0]
02	Safety Frequency							
	1, on [0], off	1, F0 x 2 [0], F0 x 3						
03	Sync Priority		Horizontal Focus Amplitude					
	0, Vextr [1], Vin	0, S/G [1], H/V	[1]	[0]	[0]	[0]	[0]	[0]
04	Detect Refresh [0], off	Horizontal Focus Keystone						
		[1]	[0]	[0]	[0]	[0]	[0]	[0]
05	Vramp 0, off [1], on	Vertical Ramp Amplitude Adjustment						
		[1]	[0]	[0]	[0]	[0]	[0]	[0]
06	Vertical Position Adjustment							
	[1]	[0]	[0]	[0]	[0]	[0]	[0]	[0]
07	S Select 1, on [0]	S Correction						
		[1]	[0]	[0]	[0]	[0]	[0]	[0]
08	C Select 1, on [0]	C Correction						
		[1]	[0]	[0]	[0]	[0]	[0]	[0]
09	EW Sel 0, off [1]	East/West Amplitude						
		[1]	[0]	[0]	[0]	[0]	[0]	[0]
0A	EW Key 0, off [1]	East/West Keystone						
		[1]	[0]	[0]	[0]	[0]	[0]	[0]
0B	Test H 1, on [0], off	Cbow Sel 1, on [0]	Cbow Corner					
			[1]	[0]	[0]	[0]	[0]	[0]
0C	Test V 1, on [0], off	Spin Sel 1, on [0]	Spin Corner					
			[1]	[0]	[0]	[0]	[0]	[0]
0D	SPB Sel 0, off [1]	Side Pin Balance						
		[1]	[0]	[0]	[0]	[0]	[0]	[0]
0E	Parallelo 0, off [1]	Parallelogram						
		[1]	[0]	[0]	[0]	[0]	[0]	[0]
0F	Moire 1, on [0], off	Moire Control						
		[0]	[0]	[0]	[0]	[0]	[0]	[0]
READ MODE								
00	Hlock 0, on [1], no	Vlock 0, on [1], no	Xray 1, on [0], off	Polarity Detection		Synchro Detection		
				H/V pol [1], negative	V pol [1], negative	Vext det [0], no det	H det [0], no det	V det [0], no det

[ ] initial value



## OPERATING DESCRIPTION

### I - GENERAL CONSIDERATIONS

#### I.1 - Power Supply

The typical values of the power supply voltages  $V_{CC}$  and  $V_{DD}$  are respectively 12V and 5V. Perfect operation is obtained if  $V_{CC}$  and  $V_{DD}$  are maintained in the limits : 10.8 to 13.2V and 4.5 to 5.5V.

In order to avoid erratic operation of the circuit during transient phase of  $V_{CC}$  switching on, or switching off, the value of  $V_{CC}$  is monitored and the outputs of the circuit are inhibited if  $V_{CC}$  is less than 7.5V typically.

In the same manner,  $V_{DD}$  is monitored and internal set-up is made until  $V_{DD}$  reaches 4V (see I<sup>2</sup>C Control Table for power on reset).

In order to have a very good power supply rejection, the circuit is internally powered by several internal voltage references (the unique typical value of which is 8V). Two of these voltage references are externally accessible, one for the vertical part and one for the horizontal one. If needed, these voltage references can be used (until load is less than 5mA). Furthermore it is necessary to filter the a.m. voltage references by the use of external capacitor connected to ground, in order to minimize the noise and consequently the "jitter" on vertical and horizontal output signals.

#### I.2 - I<sup>2</sup>C Control

TDA9106A belongs to the I<sup>2</sup>C controlled device family, instead of being controlled by DC voltages on dedicated control pins, each adjustment can be realized through the I<sup>2</sup>C Interface.

The I<sup>2</sup>C bus is a serial bus with a clock and a data input. The general function and the bus protocol are specified in the Philips-bus data sheets.

The interface (Data and Clock) is TTL-level compatible. The internal threshold level of the input comparator is 2.2V (when  $V_{DD}$  is 5V). Spikes of up to 50ns are filtered by an integrator and maximum clock speed is limited to 400kHz.

The data line (SDA) can be used in a bidirectional way that means in read-mode the IC clocks out a reply information (1 byte) to the micro-processor.

The bus protocol prescribes always a full-byte transmission. The first byte after the start condition is used to transmit the IC-address (7 bits-8C) and the read/write bit (0 write - 1 read).

#### I.3 - Write Mode

In write mode the second byte sent contains the subaddress of the selected function to adjust (or controls to affect) and the third byte the corresponding data byte. It is possible to send more than one data byte to the IC. If after the third byte no stop or start condition is detected, the circuit increments automatically the momentary subaddress in the subaddress counter by one (auto-increment mode). So it is possible to transmit immediately the next data bytes without sending the IC address or subaddress. It can be useful so as to reinitialize the whole controls very quickly (flash manner). This procedure can be finished by a stop condition.

The circuit has 14 adjustment capabilities : 1 for Horizontal part, 4 for Vertical one, 2 for E/W correction, 2 for original Corner correction, 2 for the Dynamic Horizontal phase control, 1 for Moire option and 2 for Horizontal Dynamic Focus.

20 bits are also dedicated to several controls (ON/OFF, Horizontal Safety Frequency, Synchro Priority, Detection Refresh and Xray reset).

#### I.4 - Read Mode

During read mode the second byte transmits the reply information.

The reply byte contains Horizontal and Vertical Lock/Unlock status, Xray activated or not, the Horizontal and Vertical polarity detection. It also contains Synchro detection status that is useful for  $\mu P$  to assign Sync priority.

A stop condition always stops all activities of the bus decoder and switches the data and the clock line (SDA and SCL) to high impedance.

See I<sup>2</sup>C Subaddress and control tables.

#### I.5 - Synchro Processor

The internal Sync Processor allows the TDA9106A to accept any kind of input synchro signals :

- separated Horizontal & Vertical TTL-compatible sync signals,
- composite Horizontal & Vertical TTL-compatible sync signals,
- sync on green or composite video signal.

**OPERATING DESCRIPTION** (continued)

**I.6 - Sync Identification Status**

TDA9106A is able to feed back to the MCU (thanks to I<sup>2</sup>C) the Sync input status (sync identification) so that the MCU can choose Sync priority through I<sup>2</sup>C.

As extracted Vertical sync pulse is performed when choice already occurred and when 12V is supplied, we recommend to use the device as following : (that means that even in Power management mode the IC is able to inform MCU on detected synchro signals due to its 5V supply).

First, refresh Synchro detection by I<sup>2</sup>C. Then check the status of H/V det and Vdet by I<sup>2</sup>C read.

Sync priority choice should be :

**Table 1** : Sync Priority Choice

H/V det	V det	Sync priority Subaddress 03		Comment
		D8	D7	
Yes	Yes	1	1	Separated H & V
Yes	No	0	1	Composite TTL H&V
No	No	0	0	Sync on Green

Of course, when choice is done, one can refresh the synchro detections and verify that extracted Vsync is present and that no synchro type change occurred.

Synchro processor is also giving synchro polarity information.

**I.7 - IC status**

The IC can inform the MCU either the 1st Horizontal PLL or Vertical section are locked or not, and if Xray has been activated.

This last status permits to the MCU :

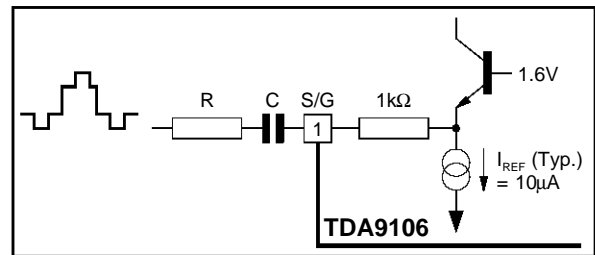
- reset the Xray internal latch decreasing the V<sub>CC</sub> supply
- directly reset throw the I<sup>2</sup>C interface.

**I.8 - Synchro Inputs**

Both H/HVin and Vsyncin inputs are TTL compatible trigger with Hysterisis to avoid erratic detection. It includes pull up resistor to V<sub>DD</sub>.

Vertical sync extractor is included for composite sync or composite video. Application engineer must adapt resistor R and capacitor C dedicated to its application.

**Figure 5**



Resistor R is fixed by detection threshold wanted :

$$R < (V_{THRESHOLD} / I_{REF})$$

Then C is determined by maximum pulse width to detect (in general, vertical sync width) :

$$RC > (\text{max pulse width})$$

**I.9 - Synchro Processor Outputs**

Synchro processor delivers on 3 TTL-compatible CMOS outputs the following signals :

- Hout as follow :

Sync Mode	Hout Mode	Hout Polarity
Separated	Horizontal	Same as Input
TTL Composite	TTL Composite	Same as Input
S/G	Composite	Negative

- Vsyncout is either vertical extracted pulse output or Vsyncin input. It keeps the input polarity.
- Hlockout is the Horizontal 1st PLL status: 0V when locked. It permits MCU to adjust free running frequency and optimizes the IC performance.

## OPERATING DESCRIPTION (continued)

### II - HORIZONTAL PART

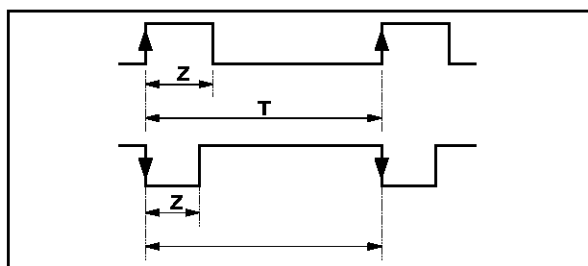
#### II.1 - Internal Input Conditions

Horizontal part is internally fed by synchro processor with a digital signal, corresponding to horizontal synchro pulses or to TTL composite input.

Concerning the duty cycle of the input signal, the following signals (positive or negative) may be applied to the circuit.

Using internal integration, both signals are recognized on condition that  $Z/T < 25\%$ . Synchronization occurs on the leading edge of the internal sync signal. The minimum value of  $Z$  is  $0.7\mu\text{s}$ .

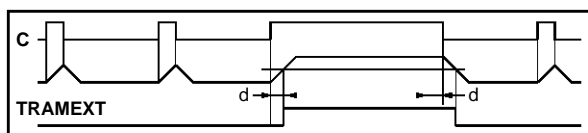
Figure 6



9106A-32.EPS

An other integration is able to extract vertical pulse of composite synchro if duty cycle is more than 25% (typically  $d = 35\%$ ).

Figure 7



9106A-33.EPS

The last feature performed is the equalizing pulses removing to avoid parasitic pulses on phase comparator input which is intolerant to wrong or missing pulse.

#### II.2 - PLL1

The PLL1 is composed of a phase comparator, an external filter and a voltage controlled oscillator (VCO). The phase comparator is a "phase frequency" type

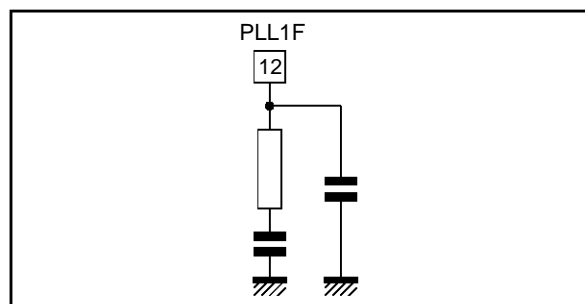
designed in CMOS technology. This kind of phase detector avoids locking on false frequencies. It is followed by a "charge pump", composed of two current sources sunk and sourced ( $I = 1\text{mA}$  Typ. when locked,  $I = 140\mu\text{A}$  when unlocked). This difference between lock/unlock permits a smooth catching of horizontal frequency by PLL1. This effect is reinforced by an internal original slow down system when PLL1 is locked avoiding Horizontal too fast frequency change.

The dynamic behaviour of the PLL is fixed by an external filter which integrates the current of the charge pump. A "CRC" filter is generally used (see Figure 8).

PLL1 is internally inhibited during extracted vertical sync (if any) to avoid taking in account missing pulses or wrong pulses on phase comparator. The inhibition results from the opening of a switch located between the charge pump and the filter (see Figure 9). For particular synchro type, MCU can drive Pin 3 to high level (TTL compatible input) to inhibit PLL1. It can also be used to avoid PLL1 locking on synchro inputs if a "dangerous" mode is detected by the MCU.

The VCO uses an external RC network. It delivers a linear sawtooth obtained by charge and discharge of the capacitor, by a current proportionnal to the current in the resistor. Typical thresholds of sawtooth are 1.6V and 6.4V. These two levels are accessible to be filtered as on Figure 10 to improve jitter.

Figure 8



9106A-34.EPS

OPERATING DESCRIPTION (continued)

Figure 9 : PLL1 Block Diagram

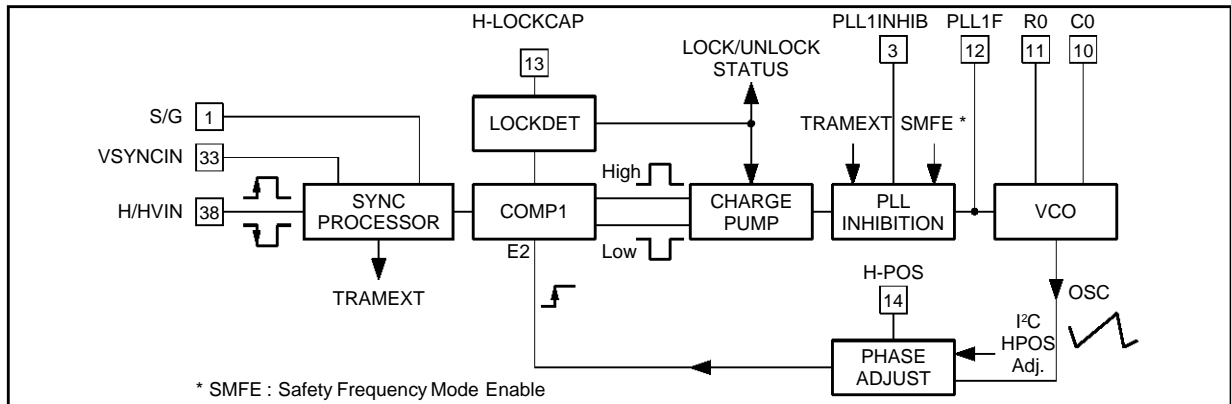
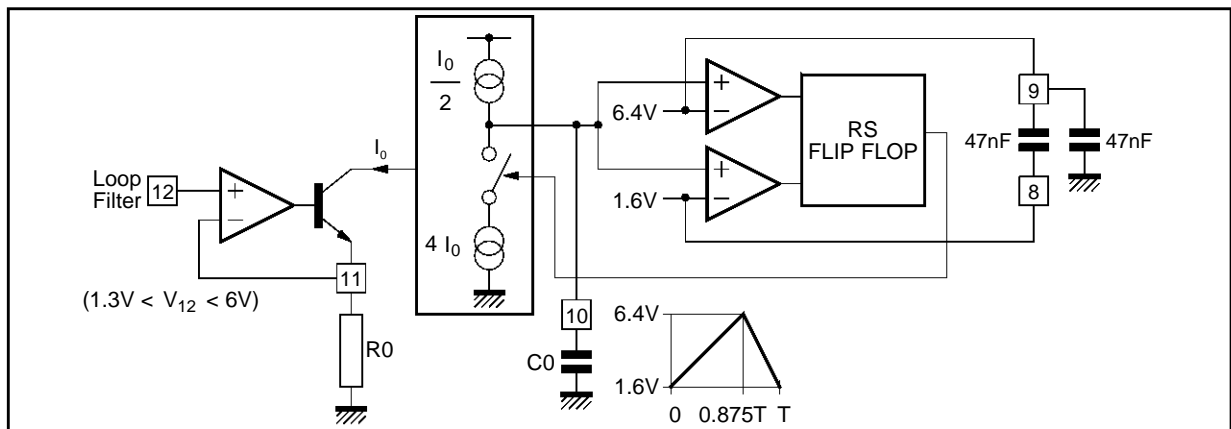


Figure 10 : Details of VCO



The control voltage of the VCO is typically comprised between 1.33V and 6V (see Figure 10). The theoretical frequency range of this VCO is in the ratio 1 to 4.5, the effective frequency range has to be smaller 1 to 4.2 due to clamp intervention on filter lowest value.

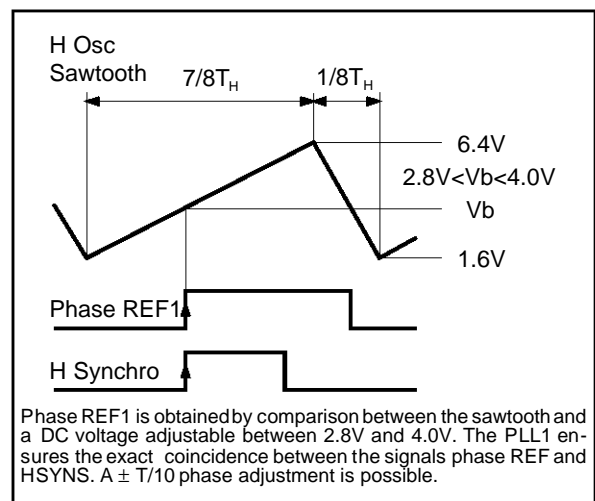
The synchro frequency has to be always higher than the free running frequency. As an example for a synchro range from 24kHz to 100kHz, the suggested free running frequency is 23kHz.

An other feature is the capability for MCU to force horizontal frequency through I<sup>2</sup>C to 2xF0 or 3xF0 (for burn in mode or safety requirement). In this case, inhibition switch is opened leaving PLL1 free but voltage on PLL1 filter is forced to 2.66V for 2xF0 or 4.0V for 3xF0.

The PLL1 ensures the coincidence between the leading edge of the synchro signal and a phase reference obtained by comparison between the sawtooth of the VCO and an internal DC voltage I<sup>2</sup>C adjustable between 2.8V and 4.0V (corresponding to ± 10%) (see Figure 11). This voltage has to be filtered on Pin 14 so as to optimize jitter.

The TDA9106A also includes a Lock/Unlock identification block which senses in real time whether PLL1 is locked on the incoming horizontal sync signal or not. The resulting information is available on Hlockout (see Synchro Processor). The block

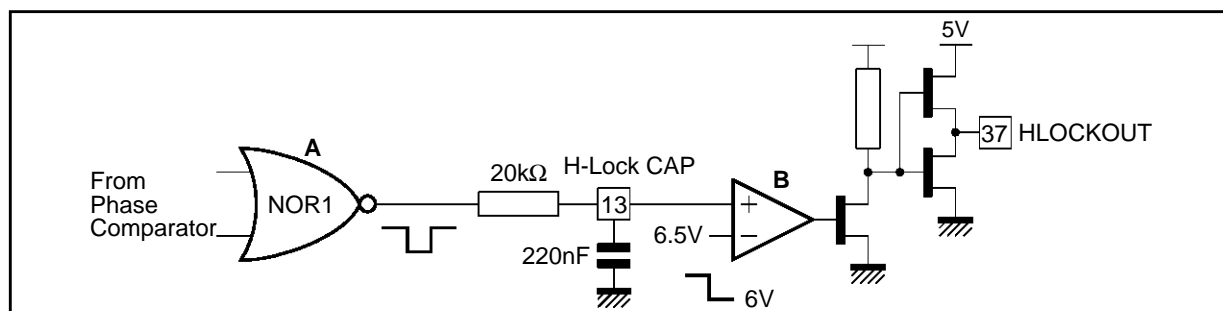
Figure 11 : PLL1 Timing Diagram



Phase REF1 is obtained by comparison between the sawtooth and a DC voltage adjustable between 2.8V and 4.0V. The PLL1 ensures the exact coincidence between the signals phase REF and HSYS. A ± T/10 phase adjustment is possible.

## OPERATING DESCRIPTION (continued)

Figure 12 : LOCK/UNLOCK Block Diagram



function is described in Figure 12.

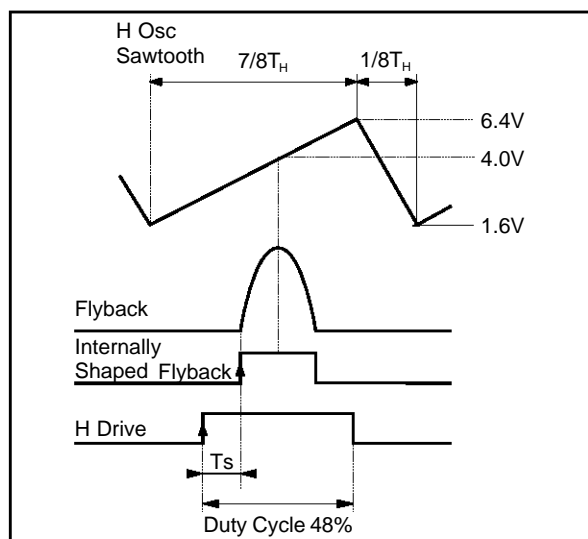
The NOR1 gate is receiving the phase comparator output pulses (which also drive the charge pump). When PLL1 is locked, on point A there is a very small negative pulse (about 100ns) at each horizontal cycle, so after RC filter, there is a high level on Pin 13 which forces Hlockout to low level. Hysteresis comparator detects locking when Pin 13 is reaching 6.5V and unlocking when Pin 13 is decreasing to 6.0V.

When PLL1 is unlocked, the 100ns negative pulse on A becomes much larger and consequently the average level on Pin 13 decreases. It forces Hlockout to go high.

The Pin 13 status is approximately the following :

- near 0V when there is no H-Sync
- between 0 and 4V with H-Sync frequency different from VCO
- between 4 to 8 V when VCO frequency reaches H-Sync one (but not already in phase)
- near 8V when PLL1 is locked.

Figure 13 : PLL2 Timing Diagram

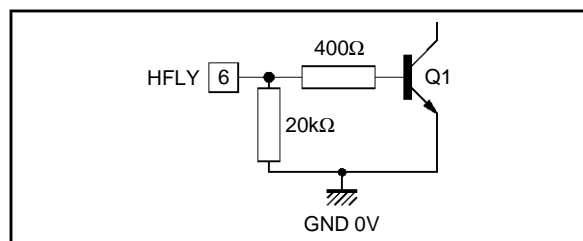


It is important to notice that Pin 13 is not an output pin but is only used for filtering purpose (see Figure 12).

The lock/unlock information is also available through I<sup>2</sup>C read.

## II.3 - PLL2

Figure 14 : Flyback Input Electrical Diagram



The PLL2 ensures a constant position of the shaped flyback signal in comparison with the sawtooth of the VCO (Figure 13).

The phase comparator of PLL2 (phase type comparator) is followed by a charge pump with  $\pm 0.5\text{mA}$  (typ.) output current.

The flyback input is composed of an NPN transistor. This input must be current driven. The maximum recommended input current is 2mA (see Figure 14).

The duty cycle is fixed and equal to 48% of horizontal-period.

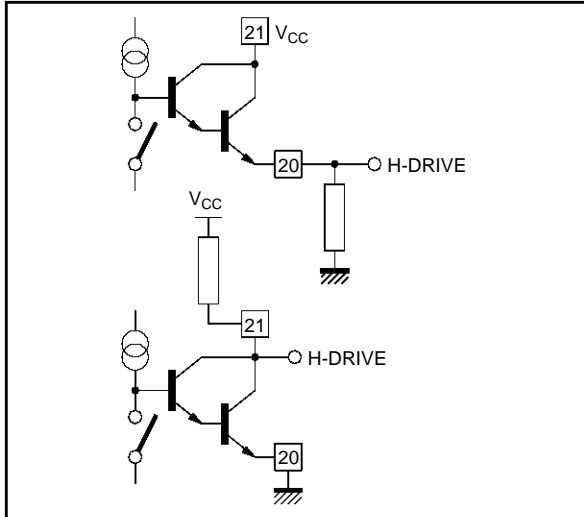
Maximum storage time is about 43.75% - ( $T_{\text{fly}}/2.T_H$ ). Typically,  $T_{\text{fly}}/T_H$  is around 20% that means  $T_s$  max is around 33.75%.

## II.4 - Output Section

The H-drive signal is transmitted to the output through a shaping block ensuring  $T_s$  and duty cycle. In order to secure scanning power part operation, the output is inhibited in the following circumstances :

**OPERATING DESCRIPTION** (continued)

**Figure 16 :** Output stage simplified diagram, showing the two possibilities of connection



- V<sub>CC</sub> too low
- Xray protection activated
- During horizontal flyback
- I<sup>2</sup>C bit control (voluntary inhibition by MCU).

The output stage is composed of a NPN Darlington

bipolar transistor.

Both the collector and the emitter are accessible (see Figure 16).

The output Darlington is in off-state when the power scanning transistor is also in off-state.

The maximum output current is 20mA, and the corresponding voltage drop of the output darlington is 1.1V typically.

It is evident that the power scanning transistor cannot be directly driven by the integrated circuit. An interface has to be designed between the circuit and the power transistor which can be of bipolar or MOS type.

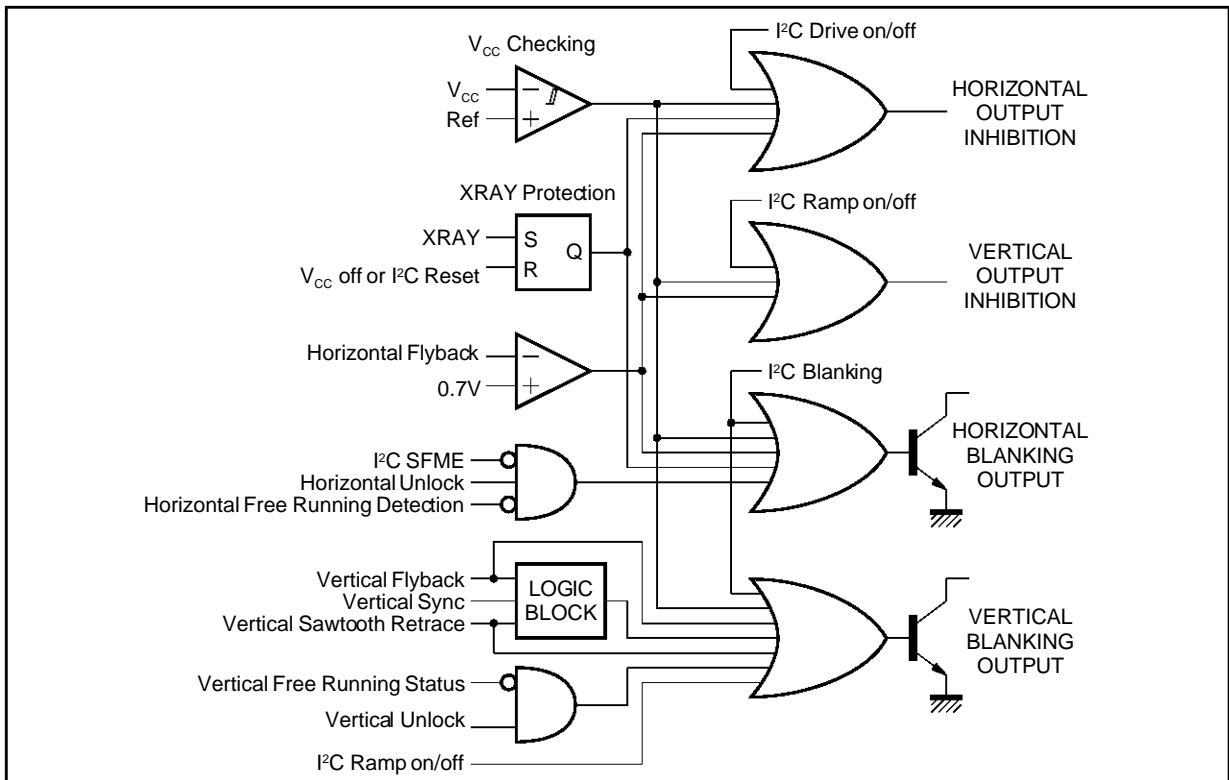
**II.5 - X-RAY Protection**

The activation of the X-Ray protection is obtained by application of a high level on the X-Ray input (Pin 15 > 8V). The consequences of X-Ray protection are :

- inhibition of H-Drive output
- activation of horizontal blanking output.
- activation of vertical blanking output.

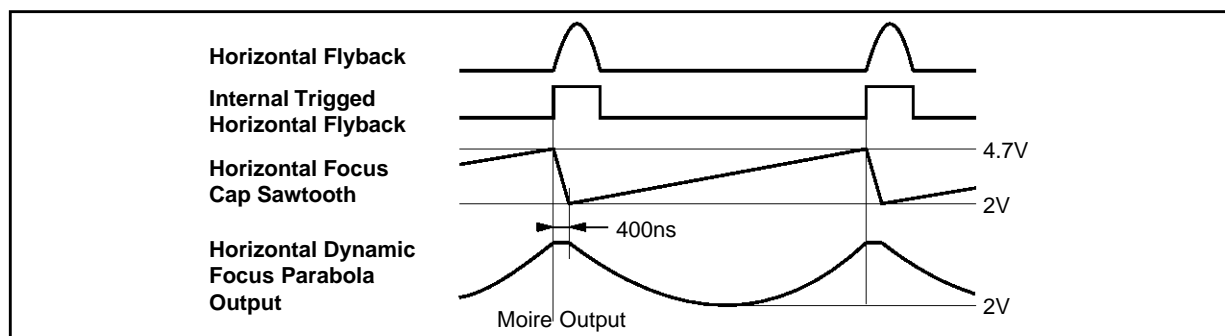
The reset of this protection is obtained either by V<sub>CC</sub> switch off or I<sup>2</sup>C reset by MCU (see Figure 17).

**Figure 17 :** Safety Functions Block Diagram



OPERATING DESCRIPTION (continued)

Figure 18



9106A-43.EPS

II.6 - Horizontal Dynamic Focus

TDA9106A delivers an horizontal parabola wave form on Pin 17. This parabola is performed from a sawtooth in phase with flyback pulse. This sawtooth is present on Pin 16 where the horizontal focus capacitor is the same as C0 to obtain a controlled amplitude (from 2 to 4.7V typically). Symmetry (keystone) and amplitude are I<sup>2</sup>C adjustable (see Figure 18). This signal has to be connected to the CRT focusing grids and mixed with vertical dynamic focus.

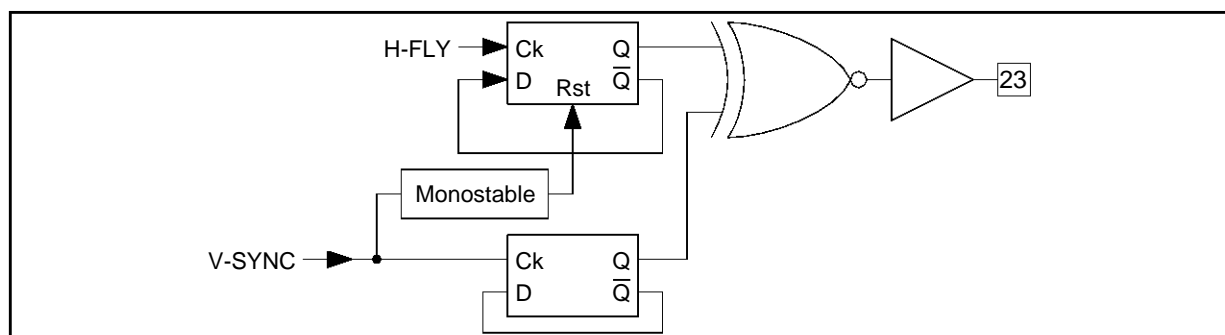
II.7 - Moire Output

The moire output is intended to correct a beat between horizontal video pixel period and actual CRT pixel width.

The moire signal is a combination of Horizontal and Vertical frequency signals.

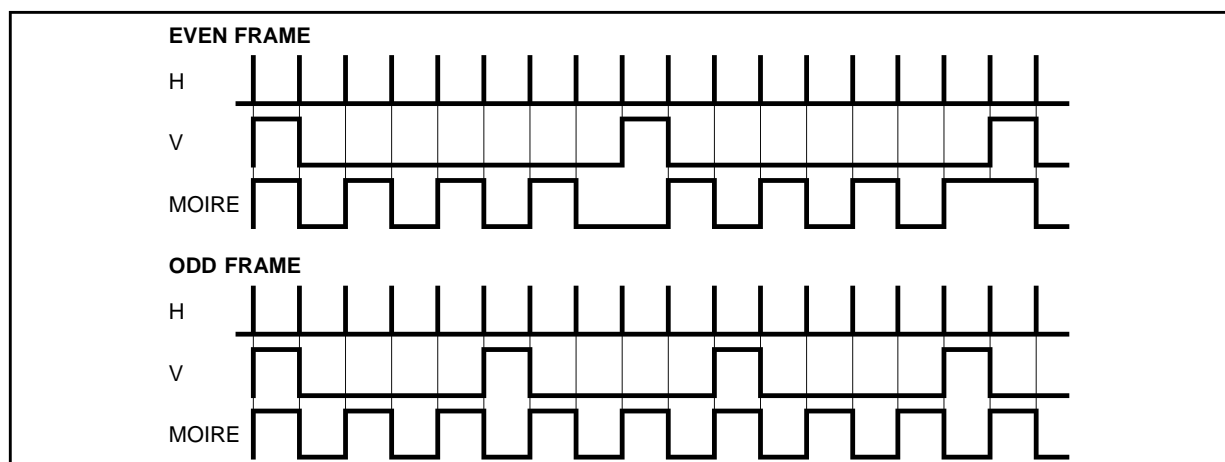
To achieve a moire cancellation, it has to be connected to any point on the chassis controlling the horizontal position. We recommend to introduce this

Figure 19 : Moire Function Block Diagram



9106A-44.EPS

Figure 20 : Moire Output Waveform



9106A-45.EPS





**OPERATING DESCRIPTION** (continued)

The E/W parabola is available on Pin 31 by the way of an emitter follower which has to be biased by an external resistor (10kΩ). It can be DC coupled with external circuitry.

The output connection of the vertical Dynamic Focus is the same as the E/W one.

This reverse parabola is available on Pin 32. Dynamic Horizontal phase control current drives internally the H-position, moving the Hfly position on the Horizontal sawtooth in the range ± 2.8% Th both on SidePin Balance and Parallelogram.

typically 3.5V

K1 is adjustable by EW amplitude I<sup>2</sup>C register

K2 is adjustable by Keystone I<sup>2</sup>C register

K3 is adjustable by Cbow Corner I<sup>2</sup>C register

K4 is adjustable by Spin Corner I<sup>2</sup>C register

**III.2 - EW**

$$EWOUT = 2.5V + K1 (V_{OUT} - V_{DCOUT})^2 + K2 (V_{OUT} - V_{DCOUT}) + K3 (V_{OUT} - V_{DCOUT})^2 |V_{OSC} - V_{MID}| + K4 (V_{OUT} - V_{DCOUT}) |V_{OSC} - V_{MID}|$$

V<sub>OSC</sub> is the ramp Pin 27 and V<sub>MID</sub> the middle of it,

**III.3 - Dynamic Horizontal Phase Control**

$$I_{OUT} = K5 (V_{OUT} - V_{DCOUT})^2 + K6 (V_{OUT} - V_{DCOUT})$$

K5 is adjustable by SidePin Balance I<sup>2</sup>C register

K6 is adjustable by Parallelogram I<sup>2</sup>C register

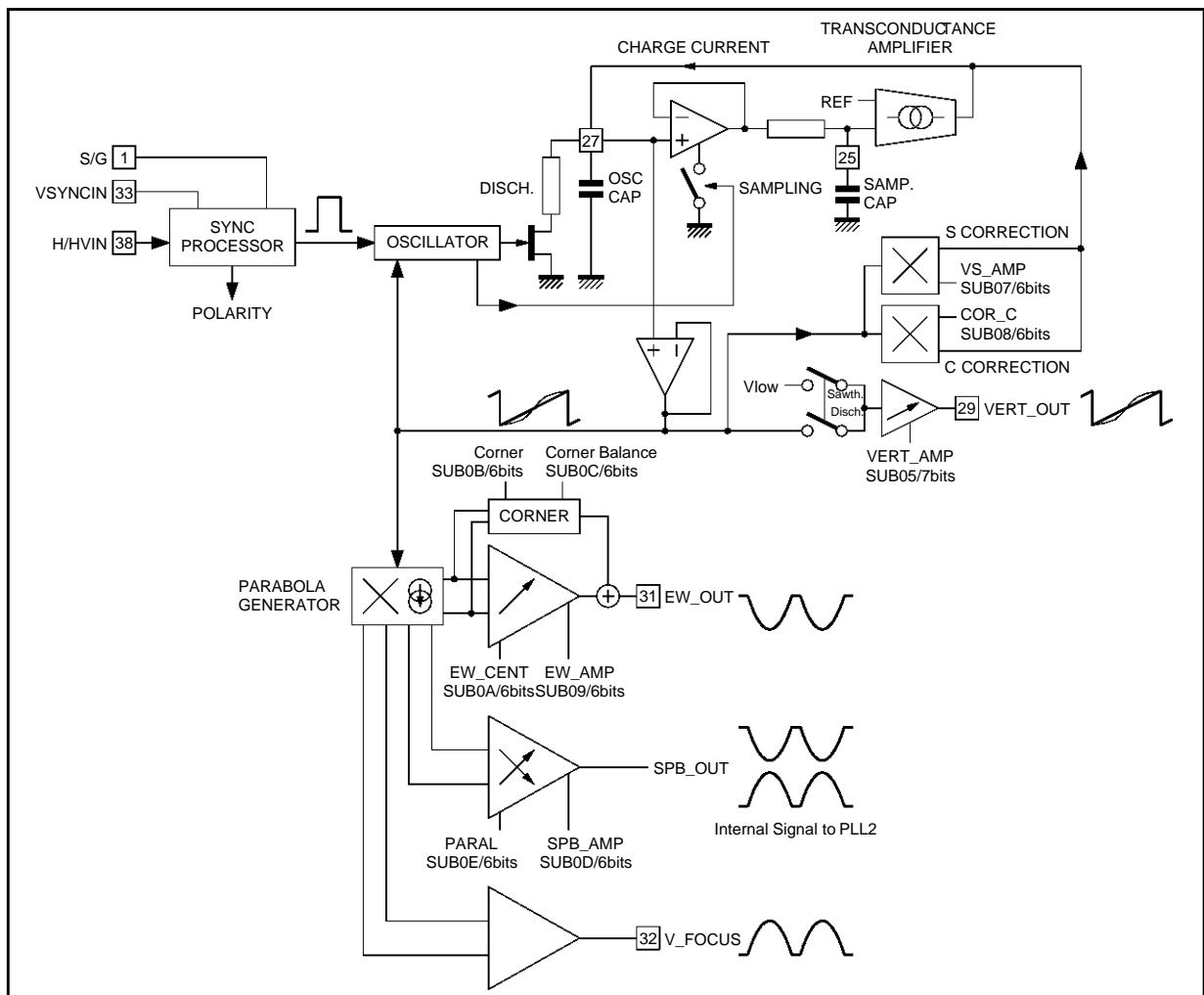
**III.4 - Vertical Dynamic Focus**

$$V_{FOCOUT} = 6V - 0.7 (V_{OUT} - V_{DCOUT})^2$$

No adjustment is available for this part except by means of tracking.

**III.5 - Vertical Sawtooth Generator**

**Figure 22 : Vertical Part Block Diagram**



9106A-17.EPS

**OPERATING DESCRIPTION** (continued)

The vertical part generates a fixed amplitude ramp which can be affected by S and C correction shape. Then, the amplitude of this ramp is adjusted to drive an external power stage (see Figure 22).

The internal reference voltage used for the vertical part is available between Pin 26 and Pin 24. Its typical value is :

$$V_{26} = V_{REF} = 8V$$

The charge of the external capacitor on Pin 27 (VCAP) generates a fixed amplitude ramp between the internal voltages,  $V_L$  ( $V_L = V_{REF}/4$ ) and  $V_H$  ( $V_H = 5/8 \times V_{REF}$ ).

When the synchronization pulse is not present, an internal current source sets the free running frequency. For an external capacitor,  $C_{OSC} = 150nF$ , the typical free running frequency is 106Hz.

Typical free running frequency can be calculated by :

$$f_0 \text{ (Hz)} = 1.6 e^{-5} \cdot \frac{1}{C_{OSC}}$$

A negative or positive TTL level pulse applied on Pin 33 (VSYNC) as well as a TTL composite sync on Pin 38 or a Sync on Green signal on Pin 1 can synchronise the ramp in the range  $[f_{min}, f_{max}]$ . This frequency range depends on the external capacitor connected on Pin 27. A capacitor in the range  $[150nF, 220nF] \pm 5\%$  is recommended for application in the following range : 50Hz to 120Hz.

Typical maximum and minimum frequency, at 25°C and without any correction (S correction or C correction), can be calculated by :

$$f_{(Max.)} = 2.5 \times f_0 \text{ and } f_{(Min.)} = 0.33 \times f_0$$

If S or C corrections are applied, these values are slightly affected.

If a synchronization pulse is applied, the internal oscillator is automatically synchronized but the amplitude is no more constant. An internal correction is activated to adjust it in less than a half a second : the highest point of the ramp (Pin 27) is sampled on the sampling capacitor connected on Pin 25 at each clock pulse and a transconductance amplifier generates the charge current of the capacitor. The ramp amplitude becomes again constant and frequency independent.

The read status register enables to have the vertical Lock-Unlock and the vertical Sync Polarity in-

formations.

It is recommended to use a AGC capacitor with low leakage current. A value lower than 100nA is mandatory.

Good stability of the internal closed loop is reached by a  $470nF \pm 5\%$  capacitor value on Pin 25 (VAGC).

Pin 30, VFLY is the vertical flyback input used to generate the vertical blanking signal on Pin 23. If Vfly is not used,  $(V_{REF} - 0.5)$ , at minimum, must be connected to this input.

In such case, the vertical blanking output will be activated by the vertical sync input signal and reset by the end of vertical sawtooth discharging pulse.

**III.6 - I<sup>2</sup>C Control Adjustments**

Then, S and C correction shapes can be added to this ramp. This frequency independent S and C corrections are generated internally. Their amplitude are adjustable by their respective I<sup>2</sup>C register. They can also be inhibited by their Select bit.

At the end, the amplitude of this S and C corrected ramp can be adjusted by the vertical ramp amplitude control register.

The adjusted ramp is available on Pin 29 ( $V_{OUT}$ ) to drive an external power stage.

The gain of this stage is typically 25% depending on its register value.

The DC value of this ramp is kept constant in the frequency range, for any correction applied on it. its typical value is  $V_{MID} = 7/16 \cdot V_{REF}$ .

A DC voltage is available on Pin 28 ( $V_{DCOUT}$ ). It is driven by its own I<sup>2</sup>C register (vertical Position). Its value is  $V_{DCOUT} = 7/16 \cdot V_{REF} \pm 300mV$ .

So the  $V_{DCOUT}$  voltage is correlated with DC value of  $V_{OUT}$ . It increases the accuracy when temperature varies.

**III.7 - Basic Equations**

In first approximation, the amplitude of the ramp on Pin 29 ( $V_{out}$ ) is :

$$V_{OUT} - V_{MID} = (V_{OSC} - V_{MID}) \cdot (1 + 0.25 (V_{AMP}))$$

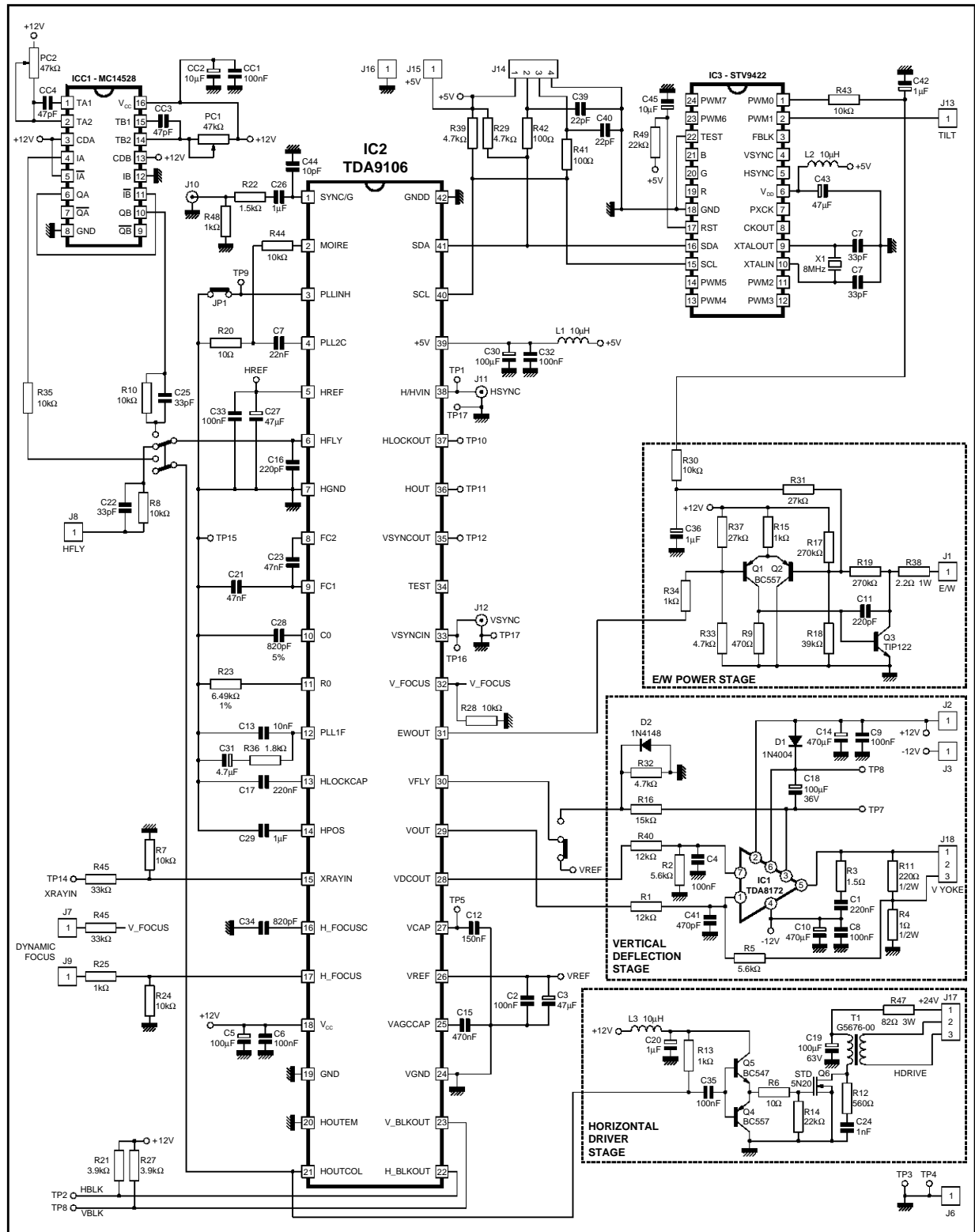
with  $V_{MID} = 7/16 \cdot V_{REF}$  ; typically 3.5V, the middle value of the ramp on Pin 27

$V_{OSC} = V_{27}$  , ramp with fixed amplitude

$V_{AMP}$  is -1 for minimum vertical amplitude register

APPLICATION DIAGRAMS

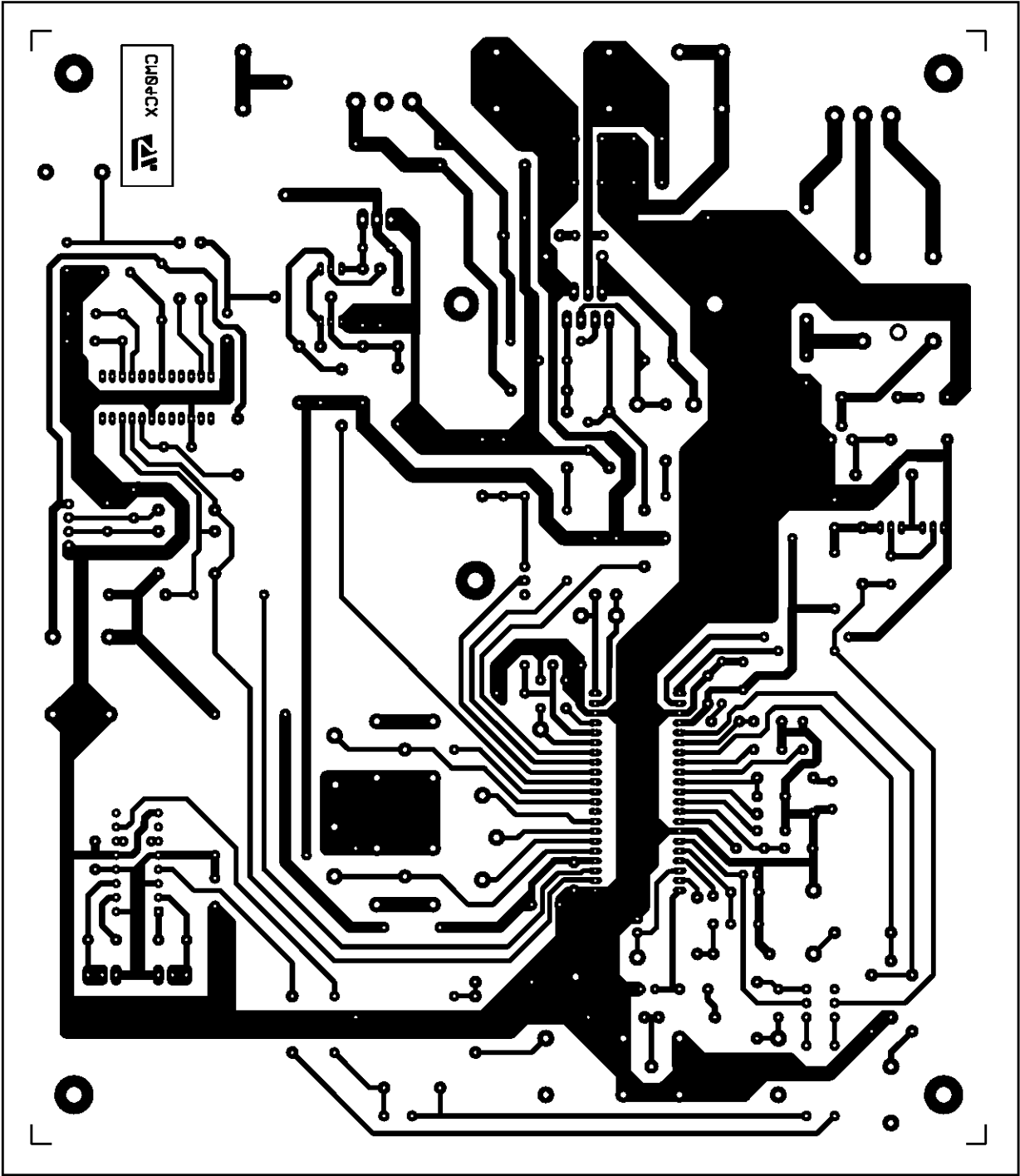
Figure 23 : Demonstration Board



9106A-48.EPS

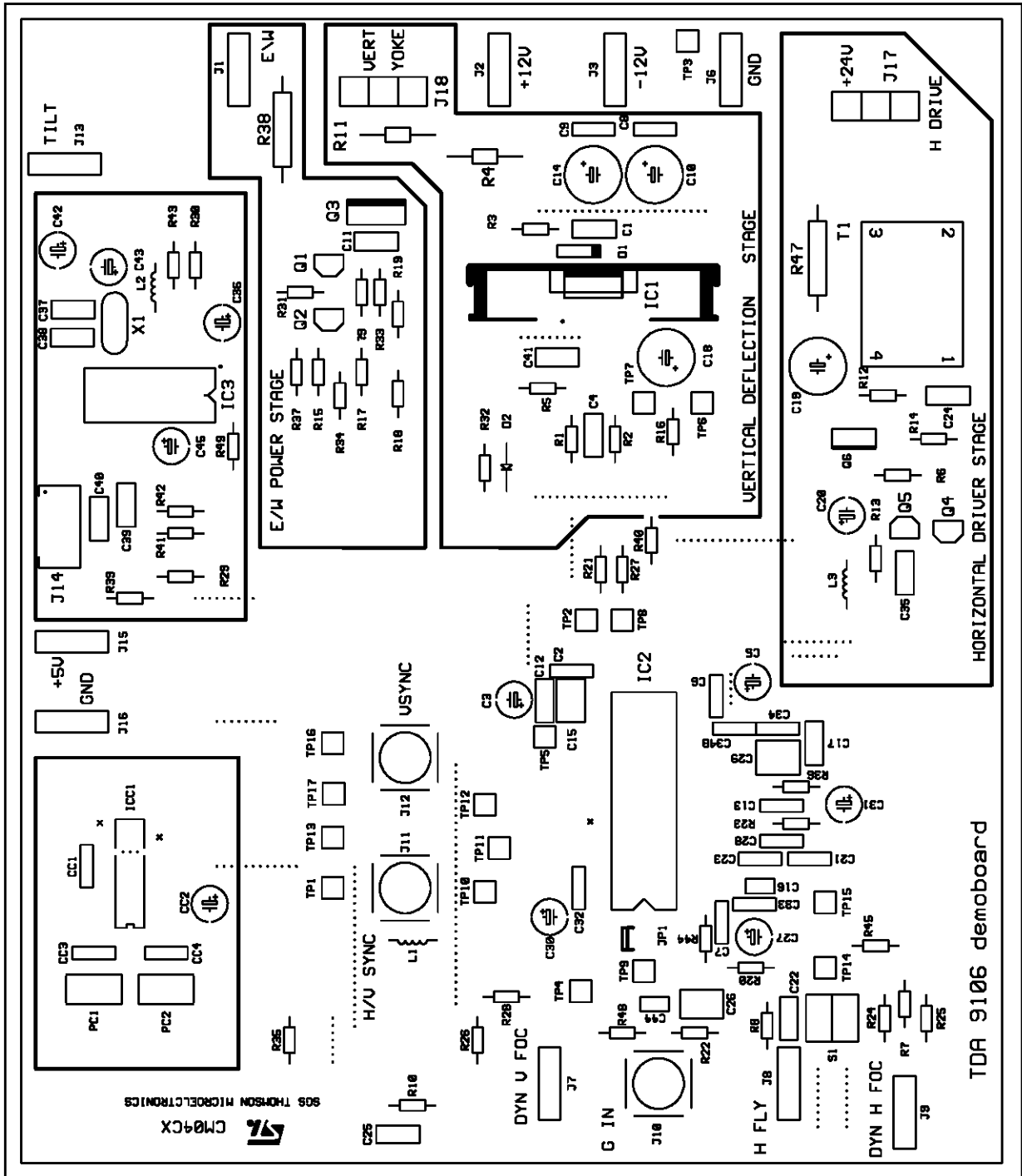
APPLICATION DIAGRAMS (continued)

Figure 24 : PCB Layout



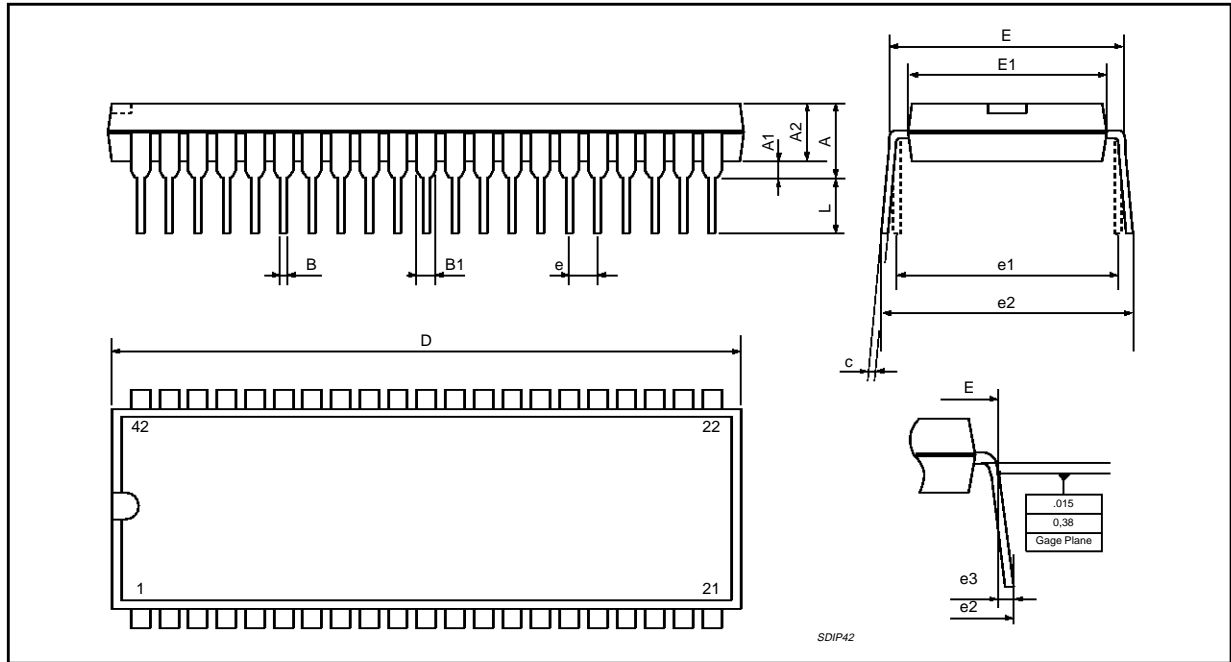
APPLICATION DIAGRAMS (continued)

Figure 25 : Components Layout



9106A-50.EPS

**PACKAGE MECHANICAL DATA**  
42 PINS - PLASTIC SHRINK DIP



Dimensions	Millimeters			Inches		
	Min.	Typ.	Max.	Min.	Typ.	Max.
A			5.08			0.200
A1	0.51			0.020		
A2	3.05	3.81	4.57	0.120	0.150	0.180
B	0.38	0.46	0.56	0.0149	0.0181	0.0220
B1	0.89	1.02	1.14	0.035	0.040	0.045
c	0.23	0.25	0.38	0.0090	0.0098	0.0150
D	36.58	36.83	37.08	1.440	1.450	1.460
E	15.24		16.00	0.60		0.629
E1	12.70	13.72	14.48	0.50	0.540	0.570
e		1.778			0.070	
e1		15.24			0.60	
e2			18.54			0.730
e3			1.52			0.060
L	2.54	3.30	3.56	0.10	0.130	0.140

Information furnished is believed to be accurate and reliable. However, SGS-THOMSON Microelectronics assumes no responsibility for the consequences of use of such information nor for any infringement of patents or other rights of third parties which may result from its use. No licence is granted by implication or otherwise under any patent or patent rights of SGS-THOMSON Microelectronics. Specifications mentioned in this publication are subject to change without notice. This publication supersedes and replaces all information previously supplied. SGS-THOMSON Microelectronics products are not authorized for use as critical components in life support devices or systems without express written approval of SGS-THOMSON Microelectronics.

© 1997 SGS-THOMSON Microelectronics - All Rights Reserved

Purchase of I<sup>2</sup>C Components of SGS-THOMSON Microelectronics, conveys a license under the Philips I<sup>2</sup>C Patent. Rights to use these components in a I<sup>2</sup>C system, is granted provided that the system conforms to the I<sup>2</sup>C Standard Specifications as defined by Philips.

SGS-THOMSON Microelectronics GROUP OF COMPANIES

Australia - Brazil - Canada - China - France - Germany - Italy - Japan - Korea - Malaysia - Malta - Morocco  
The Netherlands - Singapore - Spain - Sweden - Switzerland - Taiwan - Thailand - United Kingdom - U.S.A.