



3D Effect Audio Processor IC

PT2387

DESCRIPTION

PT2387 is a 3D Effect Audio Processor IC utilizing CMOS Technology. It features a specially designed PTC HRTFs Filter and space-enhanced circuit, thereby, guaranteeing excellent audio quality and performance. Least external components, excellent 3D effect audio output, built-in LED display driver add to the enhanced quality of PT2387. Pin assignments and application circuit are optimized for easy PCB Layout and cost saving benefits.

FEATURES

- CMOS Technology
- Operating Voltage Range: 5V to 9 V
- THD=N<0.01%, S/N>95dB
- Specially designed PTC HRTFs Filter Technology and 3D Space-Enhanced Circuit
- Least External Components
- Built-in LED Display Driver
- Available in 8-pin, DIP or SO Package

APPLICATIONS

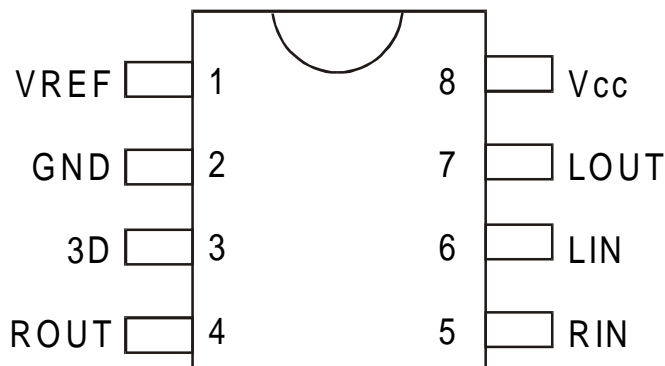
- Multi-Media Audio
- Car Audio
- Walkman
- Home Stereo
- TV
- PC Speakers
- Notebook Computer/Laptop
- Other Audio Equipment



3D Effect Audio Processor IC

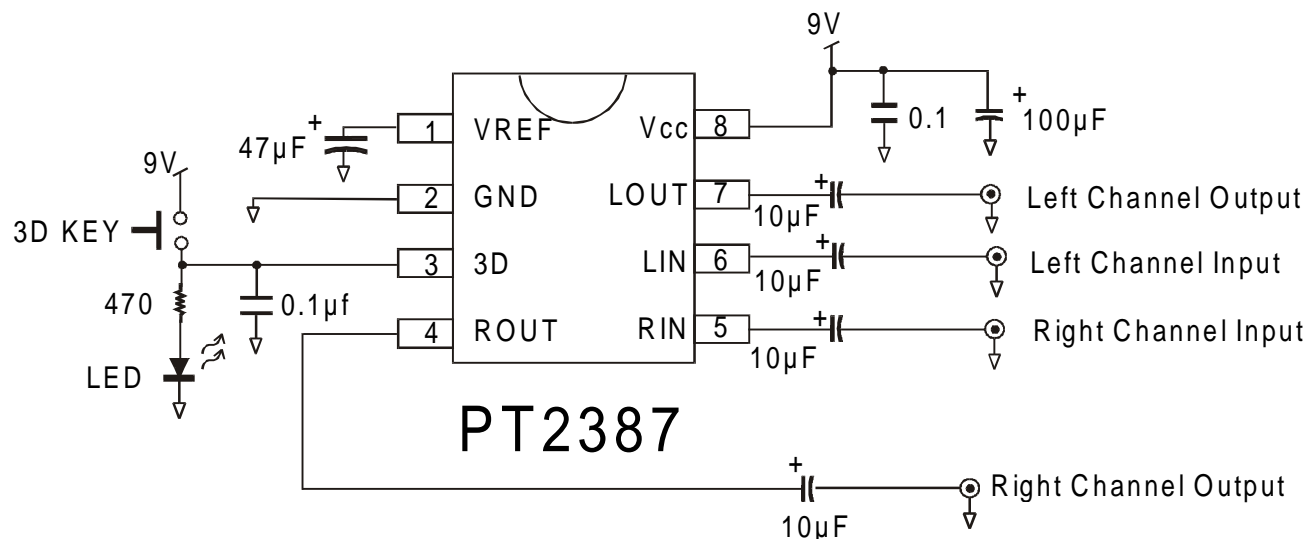
PT2387

PIN CONFIGURATION



PT2387

APPLICATION CIRCUIT



ORDER INFORMATION

Part Number	Package
PT2387	8-pin. DIP (300 mil)
PT2387-S	8-pin, SO (150mil)