



Genesys Logic, Inc.

**GL603USB-XP2P /
GL603USB-A-XP2P**

USB / PS2

All-in-1 Mouse Controller

**Datasheet
Revision 1.20
Aug. 11, 2003**



Copyright:

Copyright © 2003 Genesys Logic Incorporated. All rights reserved. No part of the materials may be reproduced in any form or by any means without prior written consent of Genesys Logic Inc..

Disclaimer:

ALL MATERIALS ARE PROVIDED "AS IS" WITHOUT EXPRESS OR IMPLIED WARRANTY OF ANY KIND. NO LICENSE OR RIGHT IS GRANTED UNDER ANY PATENT OR TRADEMARK OF GENESYS LOGIC INC.. GENESYS LOGIC HEREBY DISCLAIMS ALL WARRANTIES AND CONDITIONS IN REGARD TO MATERIALS, INCLUDING ALL WARRANTIES, IMPLIED OR EXPRESS, OF MERCHANTABILITY, FITNESS FOR ANY PARTICULAR PURPOSE, AND NON-INFRINGEMENT OF INTELLECTUAL PROPERTY. IN NO EVENT SHALL GENESYS LOGIC BE LIABLE FOR ANY DAMAGES INCLUDING, WITHOUT LIMITATION, DAMAGES RESULTING FROM LOSS OF INFORMATION OR PROFITS. PLEASE BE ADVISED THAT THE MATERIALS MAY CONTAIN ERRORS OR OMMISIONS. GENESYS LOGIC MAY MAKE CHANGES TO THE MATERIALS OR TO THE PRODUCTS DESCRIBED THEREIN AT ANY TIME WITHOUT NOTICE.

Trademarks:



is a registered trademark of Genesys Logic Inc..
All trademarks are the properties of their respective owners.

Office:

Genesys Logic, Inc.

12F, No. 205, Sec. 3, Beishin Rd., Shindian City,
Taipei, Taiwan
Tel: (886-2) 8913-1888
Fax: (886-2) 6629-6168

<http://www.genesyslogic.com>



Revision History

Revision	Date	Description
1.00	05/01/2003	First formal release
1.10	06/30/2003	Changed 3D5B optical sensor circuit R1 and R2 from 47K to 47K~100K
1.20	08/11/2003	Changed Figure 4.6 and 4.12 application circuit



TABLE OF CONTENTS

CHAPTER 1 GENERAL DESCRIPTION..... 7

CHAPTER 2 FEATURES 7

CHAPTER 3 PIN ASSIGNMENT..... 8

 3.1 PINOUTS 8

 3.2 PIN DESCRIPTIONS 9

CHAPTER 4 APPLICATION CIRCUIT 10

 4.1 GL603USB-XP2P 10

 4.1.1 3D5B Ball Type Circuit 10

 4.1.2 3D5B with HDNS-2000 Optical Sensor Circuit 11

 4.1.3 3D5B with ADNS-2051 Optical Sensor Circuit..... 12

 4.1.4 3D5B with ADNS-2610 Optical Sensor Circuit..... 13

 4.1.5 3D5B with ADNS-2620 Optical Sensor Circuit..... 14

 4.1.6 3D5B with PAN101B Optical Circuit 15

 4.2 GL603USB-A-XP2P 16

 4.2.1 3D3B Ball Type Circuit 16

 4.2.2 3D3B with HDNS-2000 Optical Sensor Circuit 17

 4.2.3 3D3B with ADNS-2051 Optical Sensor Circuit..... 18

 4.2.4 3D3B with ADNS-2610 Optical Sensor Circuit..... 19

 4.2.5 3D3B with ADNS-2620 Optical Sensor Circuit..... 20

 4.2.6 3D3B with PAN101B Optical Sensor Circuit..... 21

CHAPTER 5 BONDING DIAGRAM 22

 5.1 GL603USB-XP2P FOR 3D5B 20-PIN..... 22

 5.2 GL603USB-A-XP2P FOR 3D3B 18-PIN 23

CHAPTER 6 PACKAGE DIMENSION..... 24

 6.1 GL603USB-XP2P P-DIP AND SOP PACKAGE 24

 6.2 GL603USB-A-XP2P P-DIP AND SOP PACKAGE..... 25

LIST OF FIGURES

FIGURE 3.1 – GL603USB-XP2P (3D5B) PINOUT DIAGRAM.....	8
FIGURE 3.2 – GL603USB-A-XP2P (3D3B) PINOUT DIAGRAM	8
FIGURE 4.1 - GL603USB-XP2P 3D5B BALL MOUSE.....	10
FIGURE 4.2 - GL603USB-XP2P 3D5B HDNS-2000 OPTICAL MOUSE	11
FIGURE 4.3 - GL603USB-XP2P 3D5B ADNS-2051 OPTICAL MOUSE	12
FIGURE 4.4 - GL603USB-XP2P 3D5B ADNS-2610 OPTICAL MOUSE	13
FIGURE 4.5 - GL603USB-XP2P 3D5B ADNS-2620 OPTICAL MOUSE	14
FIGURE 4.6 - GL603USB-XP2P 3D5B PAN101B OPTICAL MOUSE.....	15
FIGURE 4.7 - GL603USB-A-XP2P 3D3B BALL MOUSE	16
FIGURE 4.8 - GL603USB-A-XP2P 3D3B HDNS-2000 OPTICAL MOUSE.....	17
FIGURE 4.9 - GL603USB-A-XP2P 3D3B ADNS-2051 OPTICAL MOUSE	18
FIGURE 4.10 - GL603USB-A-XP2P 3D3B ADNS-2610 OPTICAL MOUSE	19
FIGURE 4.11 - GL603USB-A-XP2P 3D3B ADNS-2620 OPTICAL MOUSE	20
FIGURE 4.12 - GL603USB-A-XP2P 3D3B PAN101B OPTICAL MOUSE.....	21
FIGURE 5.1 - GL603USB-XP2P FOR 3D5B 20-PIN	22
FIGURE 5.2 - GL603USB-A-XP2P FOR 3D3B 18-PIN.....	23
FIGURE 6.1 – PACKAGE OUTLINE DIMENSION FOR 20-PIN P-DIP	24
FIGURE 6.2 – PACKAGE OUTLINE DIMENSION FOR 20-PIN SOP	24
FIGURE 6.3 – PACKAGE OUTLINE DIMENSION FOR 18-PIN P-DIP.....	25
FIGURE 6.4 – PACKAGE OUTLINE DIMENSION FOR 18-PIN SOP	25

LIST OF TABLES

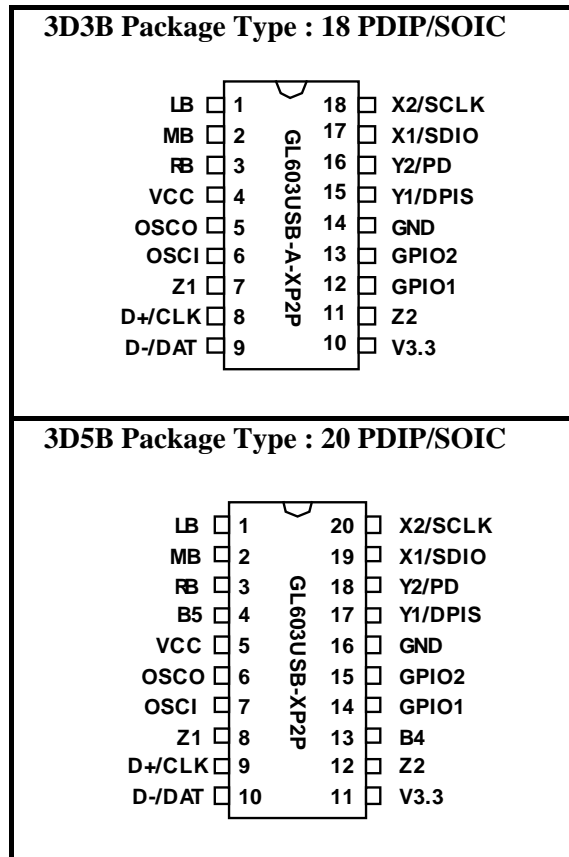
TABLE 3.1 - PIN DESCRIPTIONS.....	9
-----------------------------------	---

**GL603USB-XP2P (3D5B)
GL603USB-A-XP2P (3D3B)**

All in 1 USB/PS2 Mouse Controller

Features

- Fully CMOS Static Design
- 8 Bits RISC-like Micro Controller
- 1.5Mbps USB SIE engine
- 6Mhz external clock
- Internal switch for USB D+/D-and PS2 CLK/Data I/O
- On chip 3.3V output
- 5V operation voltage
- 18 / 20 pin PDIP, SOIC Package
- 0-40°C operation temperature



Mouse Functions

- Microsoft 3D Intellimouse and IBM PS/2 mouse compatible
- GL603USB-A-XP2P supports 3D3B
- GL603USB-XP2P supports 3D5B
- Z axis support two kinds of scroller input (mechanical and optomechanical)

Sensor Support

- Support Traditional Ball Type Sensor
- Support PixArt PAN101B Optical Sensor
- Support Agilent HDNS-2000 Optical Sensor
- Support Agilent ADNS-2051 Optical Sensor
- Support Agilent ADNS-2610 Optical Sensor
- Support Agilent ADNS-2620 Optical Sensor

Power Management

- Suspend current < 500 uA

Special Function

- Support Agilent ADNS-2051 Optical Sensor 400dpi/800dpi selection
- Support Traditional Ball Type Sensor with 4 Bit ADC auto reference function



CHAPTER 1 GENERAL DESCRIPTION

The Genesys Logic XP2P series is the most powerful USB/PS2 combo mouse controller. GL603USB-XP2P is suit for 3D5B(buttons) application with 20 pin PDIP/SOIC package and GL603USB-A-XP2P is suit for 3D3B(buttons) application with 18 pin PDIP/SOIC package. It can adopt with Agilent HDNS-2000, ADNS-2051, ADNS-2610, ADNS-2620 and PixArt PAN101B optical sensor or the traditional ball type mouse. The user may use the GL603USB-XP2P to design almost all style of mouse easily.

CHAPTER 2 FEATURES

- Fully CMOS Static Design.
- 8 Bits RISC-like Micro Controller.
- 1.5Mbps USB SIE engine.
- Low-cost and powerful solution for PS/2 and low-speed USB combo mouse.
- USB Specification Compliance.
 - Conforms to USB 1.5Mbps Specification, Version 1.1
 - Conforms to USB HID Class Specification, Version 1.1
 - Support 1 device address and 2 endpoints(include endpoint 0).
- Integrated USB transceiver with open drain I/O capability.
 - In PS/2 mode, D+ used as CLK and D- used as DATA.
 - Use legacy USB cable and an USB to PS/2 converter to connect PS/2 port.
- On-chip 3.3 V output
 - No external regulator required.
- 6 MHz external clock.
- 5V operation voltage.
- Internal power-on reset(POR).
- Internal power-fail detector.
- Supports suspend/normal mode power management
 - Suspend current lower than 500uA for whole mouse system.
- Microsoft 3D Intellimouse and IBM PS/2 mouse compatible
- Microsoft web mouse compatible.
- Z axis can support two kinds of scroller input(mechanical and optomechanical).
- Internal switch for USB D+/D- and PS2 CLK/Data I/O.
- Supports Agilent HDNS-2000, ADNS-2051, ADNS-2610 and ADNS-2620 optical sensor. It also supports 400/800 DPI selection via DPIS selection pin for ADNS-2051 only.
- Support PixArt PAN101B optical sensor.
- Support Traditional Ball Type Sensor with 4 Bit ADC auto reference function.
- 18/20 pin PDIP or SOIC package.

CHAPTER 3 PIN ASSIGNMENT

3.1 Pinouts

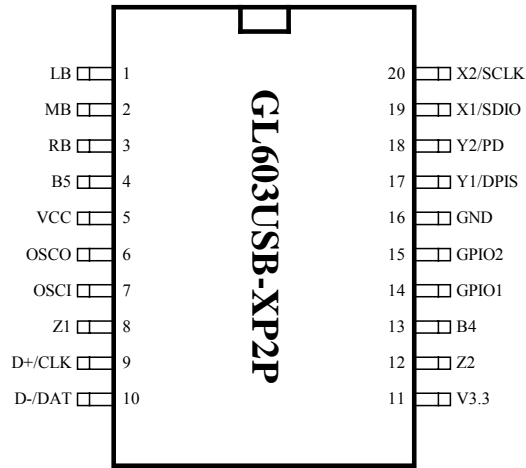


Figure 3.1 – GL603USB-XP2P (3D5B) Pinout Diagram

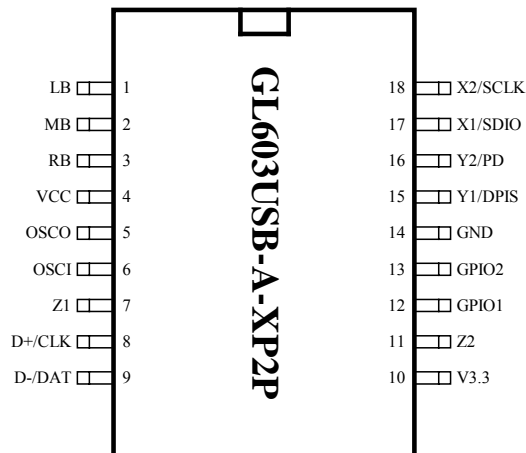


Figure 3.2 – GL603USB-A-XP2P (3D3B) Pinout Diagram

3.2 Pin Descriptions

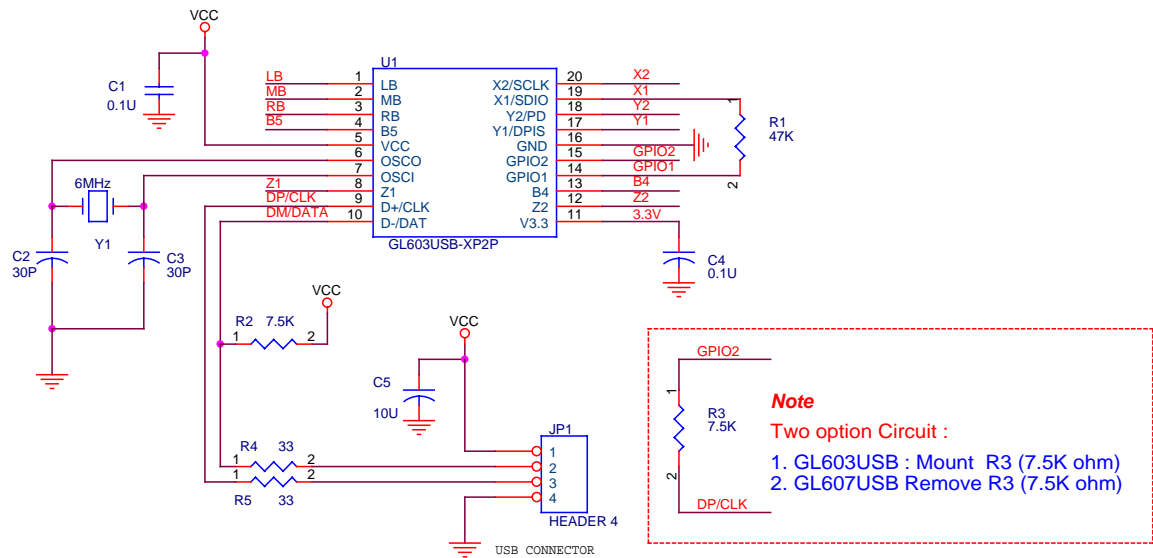
Table 3.1 - Pin Descriptions

Pin Name	20Pin	18Pin	Type	Description	Note
LB	1	1	I	Left button input	Internal pull up resistor 10K Ω
MB	2	2	I	Middle button input	Internal pull up resistor 10K Ω
RB	3	3	I	Right button input	Internal pull up resistor 10K Ω
B5	4	-	I	The 5th button input	Internal pull down resistor 32K Ω
VCC	5	4	P	+5V power input	
OSCO	6	5	O	6 MHz ceramic resonator or crystal output	6MHz resonator or crystal
OSCI	7	6	I	6 MHz ceramic resonator or crystal input	6MHz resonator or crystal
Z1	8	7	I	Z axis input 1	Internal pull down resistor 32K Ω
D+/CLK	9	8	I/O	USB D+ or PS/2 clock	Need 7.5K Ω resistor to GPIO2
D-/DAT	10	9	I/O	USB D- or PS/2 data	Need 7.5K Ω pull up resistor to VCC
V3.3	11	10	O	3.3V output	a 0.1uF to 1uF capacitor should be added on external circuit for this pin
Z2	12	11	I	Z axis input 2	Internal pull down resistor 32K Ω
B4	13	-	I	The 4th button input	Internal pull down resistor 32K Ω
GPIO1	14	12	O	Power control (20mA driver capability)	Normal run=Low, Suspend=Vcc
GPIO2	15	13	I/O	PS2 enable	
GND	16	14	P	Ground	
Y1/DPIS	17	15	I/O	Y axis input 1 DPI selector for ADNS-2051 optical mouse	Internal pull down resistor 10K Ω
Y2/PD	18	16	I/O	Y axis input 2 Power down pin for ADNS-2051 optical mouse	Internal pull down resistor 10K Ω
X1/SDIO	19	17	I/O	X axis input 1 Serial data from Agilent sensor	Internal pull down resistor 10K Ω
X2/SCLK	20	18	I/O	X axis input 2 Serial clock to Agilent sensor	Internal pull down resistor 10K Ω

CHAPTER 4 APPLICATION CIRCUIT

4.1 GL603USB-XP2P

4.1.1 3D5B Ball Type Circuit

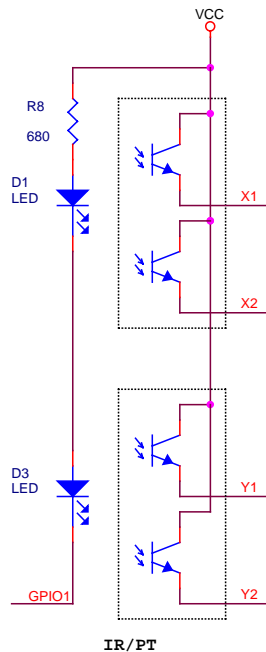
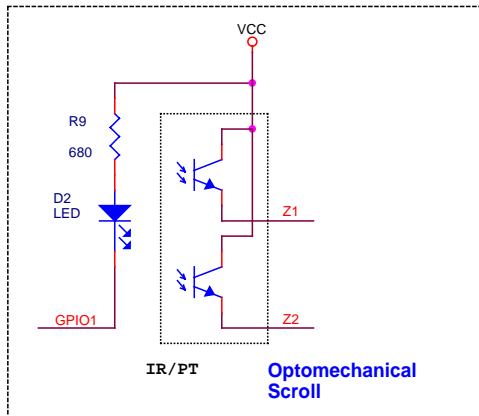
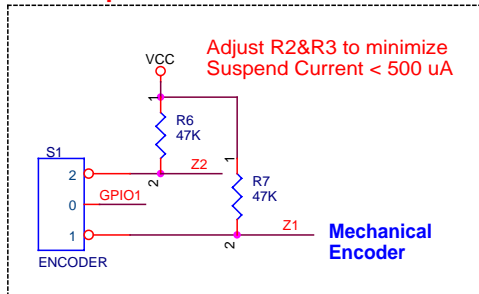


Note: Put the C1 (0.1u) as near as U2
Put the C5 (10u) as near as JP1

Note
Two option Circuit :

1. GL603USB : Mount R3 (7.5K ohm)
2. GL607USB Remove R3 (7.5K ohm)

Scroll Option



GPIO1 must refer to the circuit , otherwise the mouse will be failed

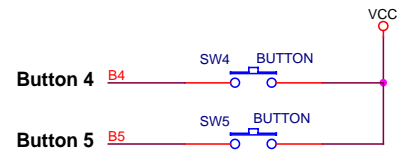
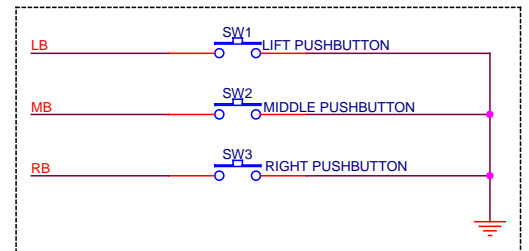


Figure 4.1 - GL603USB-XP2P 3D5B Ball Mouse

4.1.2 3D5B with HDNS-2000 Optical Sensor Circuit

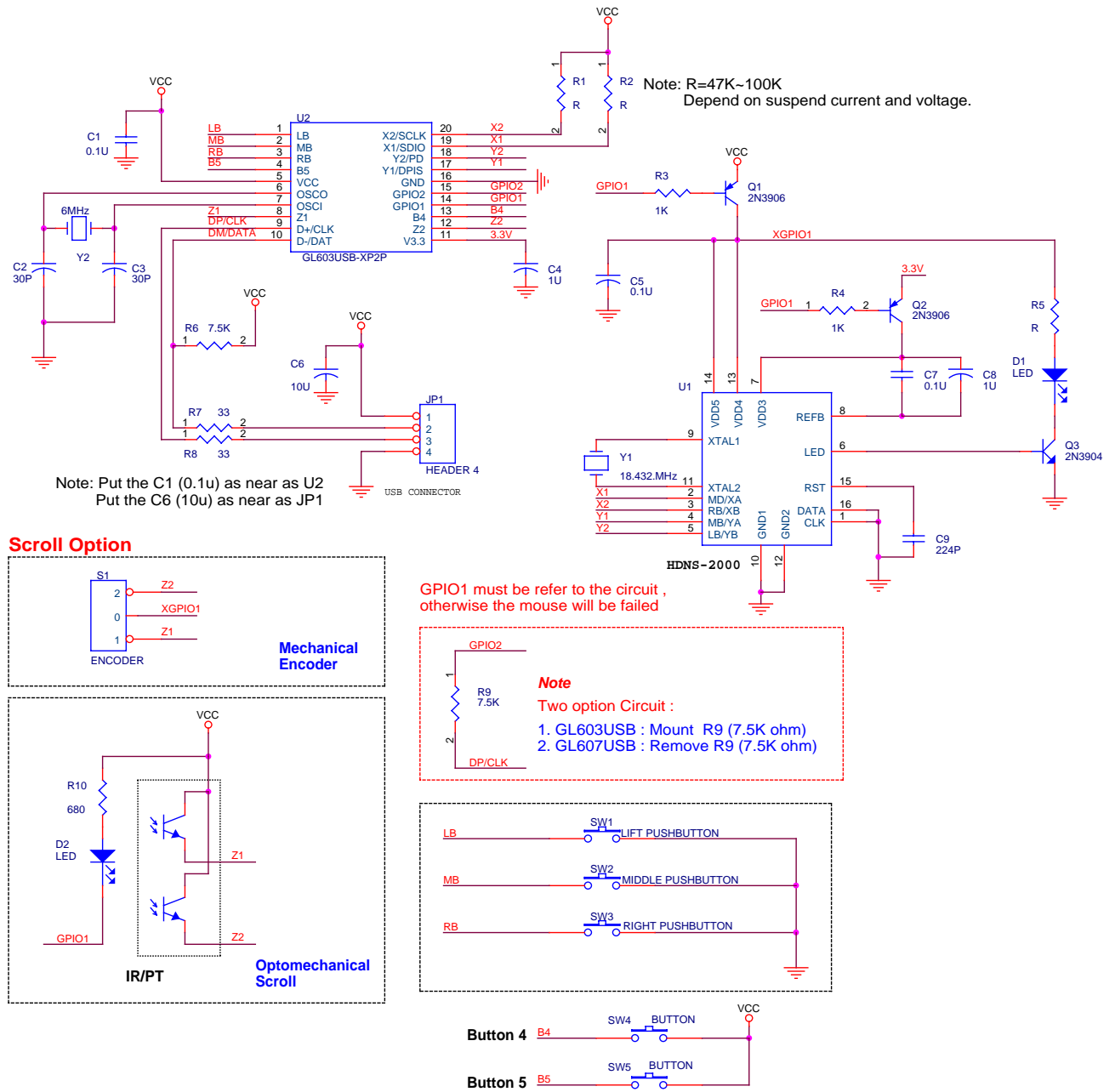


Figure 4.2 - GL603USB-XP2P 3D5B HDNS-2000 Optical Mouse

4.1.3 3D5B with ADNS-2051 Optical Sensor Circuit

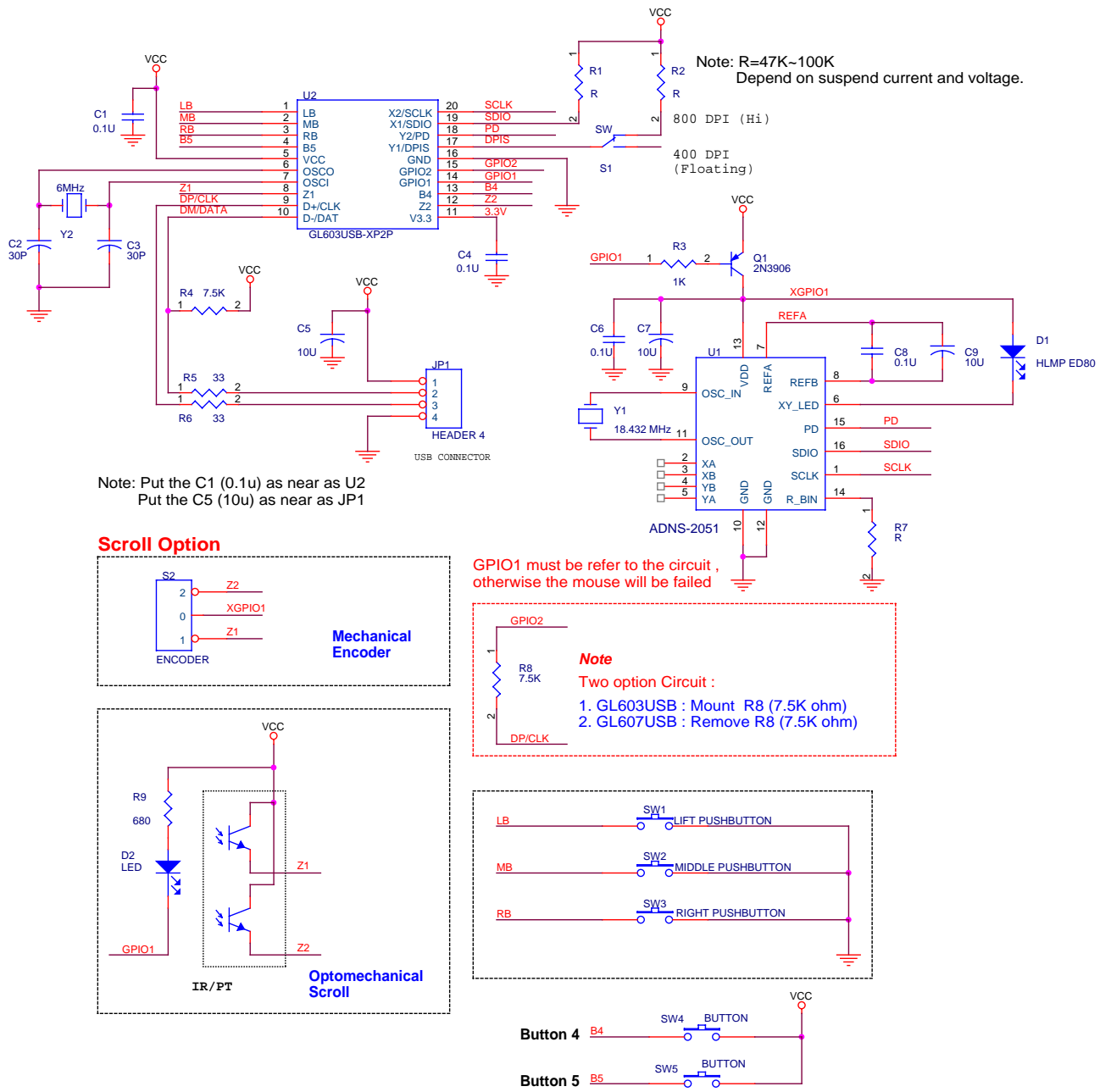


Figure 4.3 - GL603USB-XP2P 3D5B ADNS-2051 Optical Mouse

4.1.4 3D5B with ADNS-2610 Optical Sensor Circuit

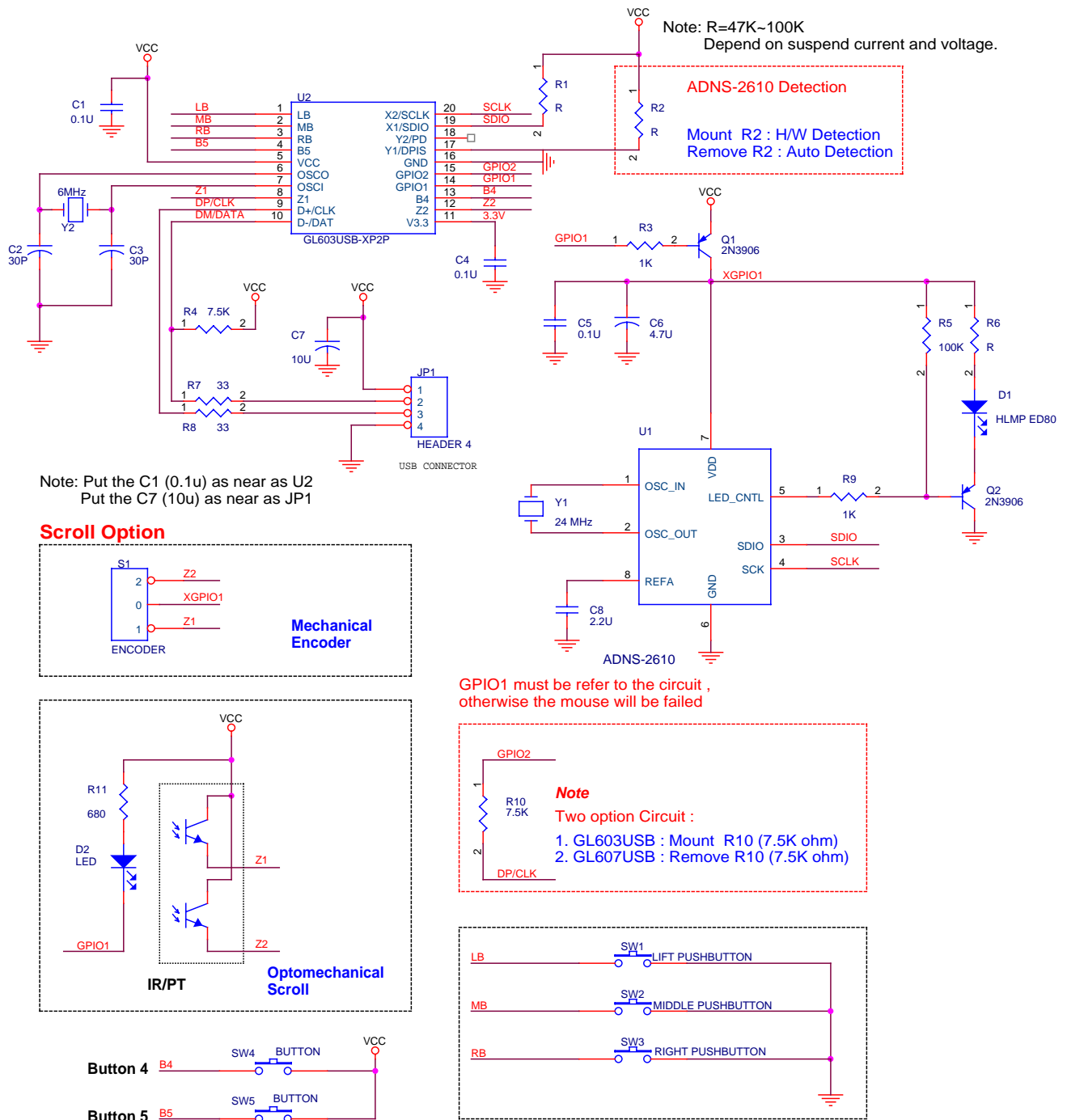


Figure 4.4 - GL603USB-XP2P 3D5B ADNS-2610 Optical Mouse

4.1.5 3D5B with ADNS-2620 Optical Sensor Circuit

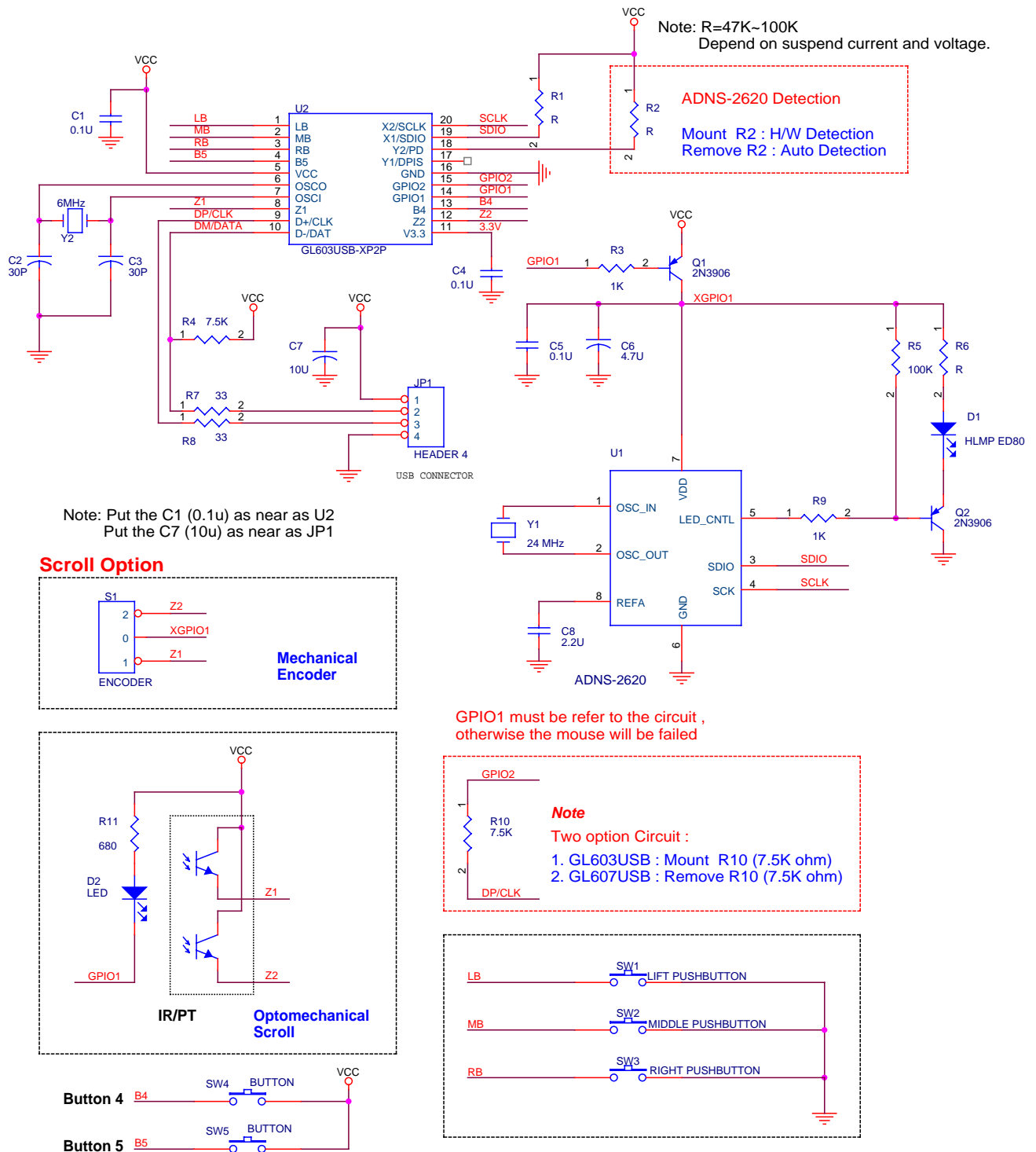


Figure 4.5 - GL603USB-XP2P 3D5B ADNS-2620 Optical Mouse

4.1.6 3D5B with PAN101B Optical Circuit

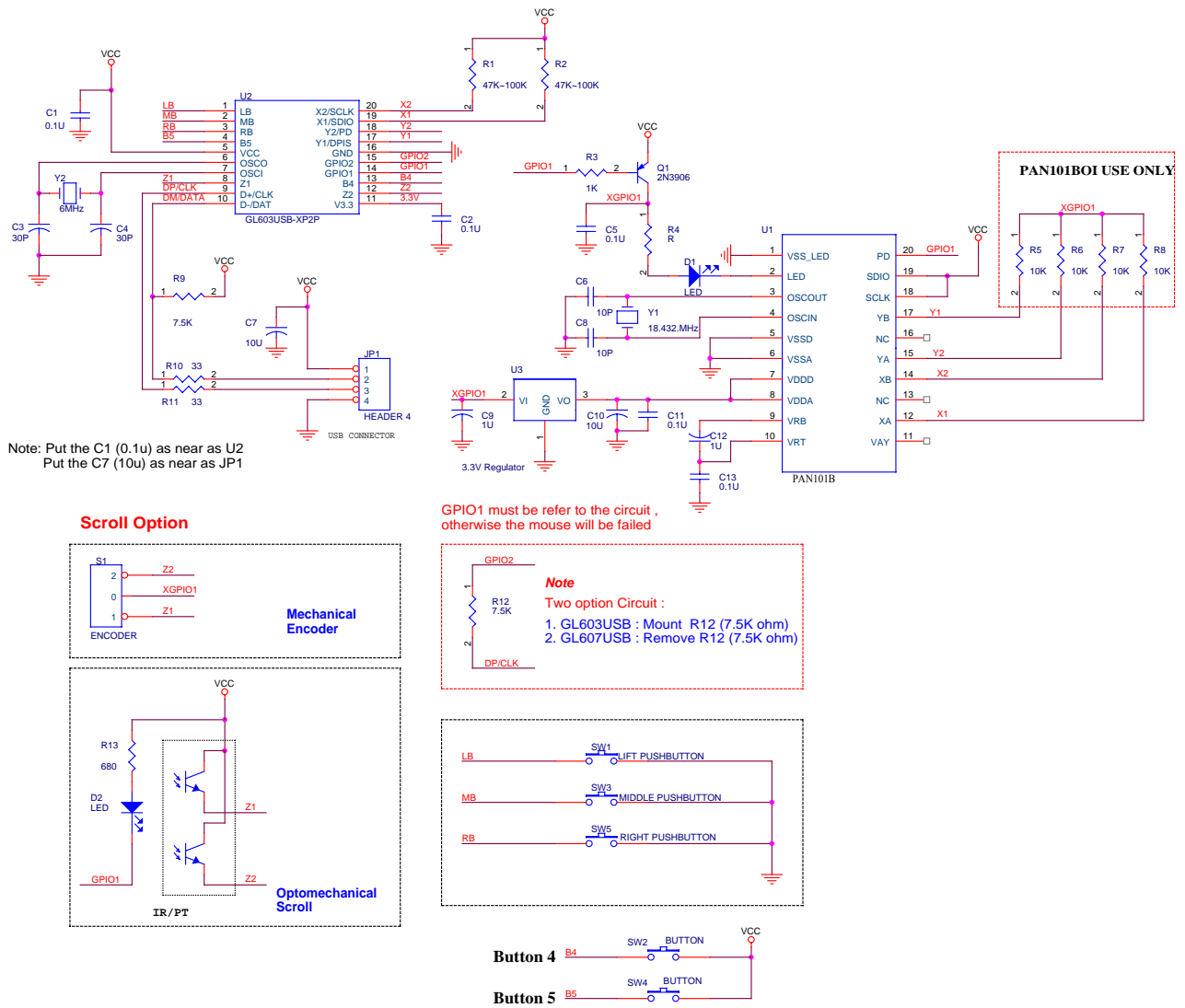
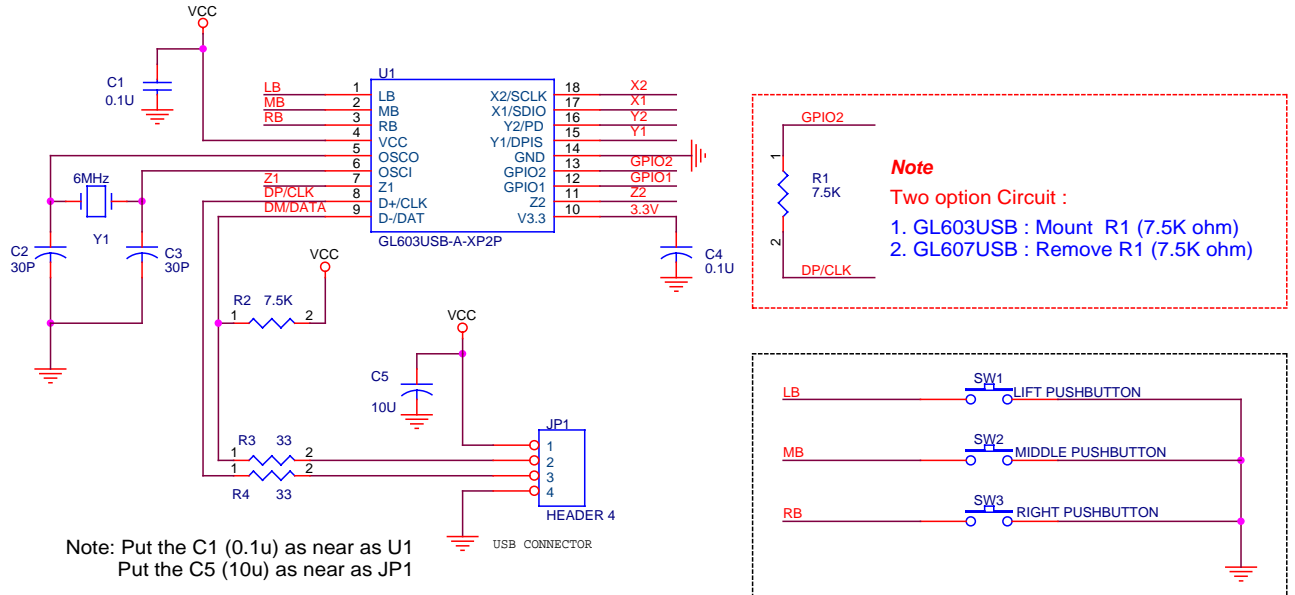


Figure 4.6 - GL603USB-XP2P 3D5B PAN101B Optical Mouse

4.2 GL603USB-A-XP2P

4.2.1 3D3B Ball Type Circuit



Scroll Option

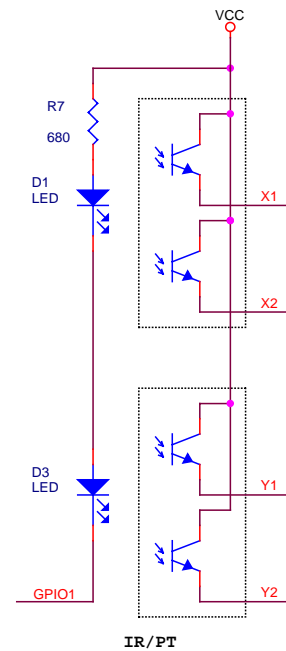
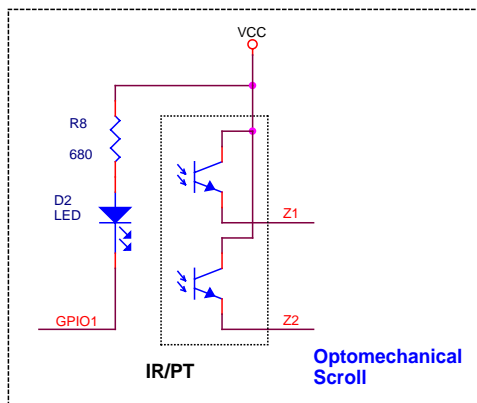
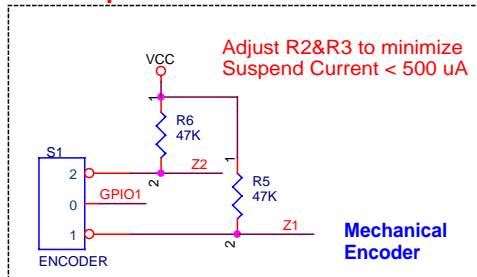
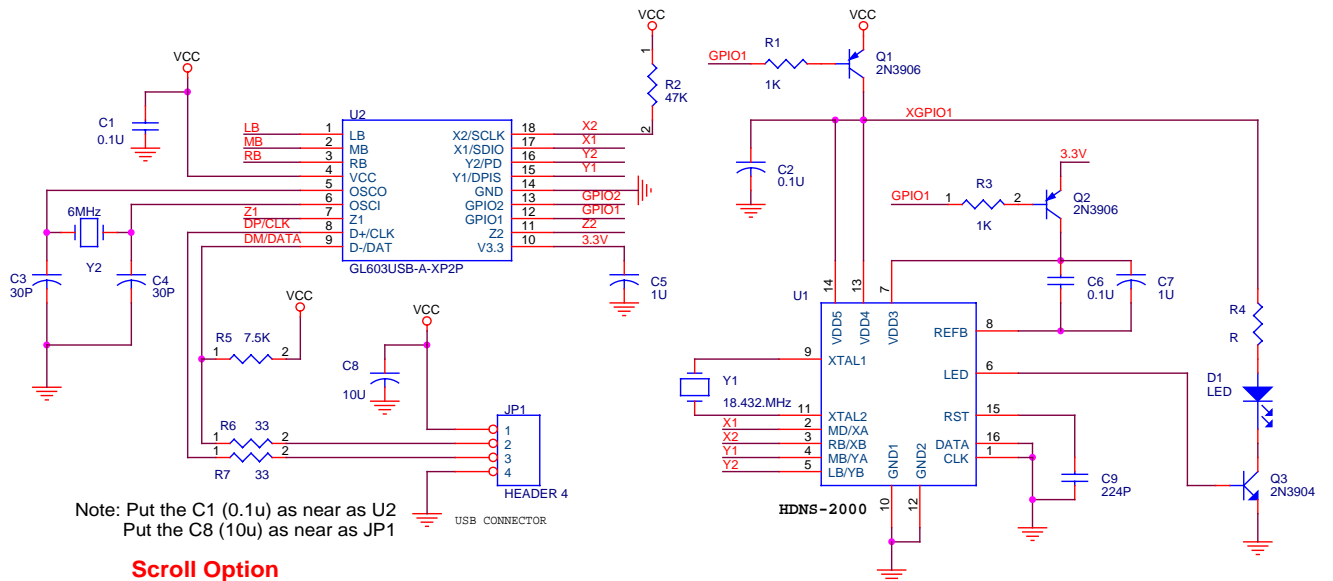
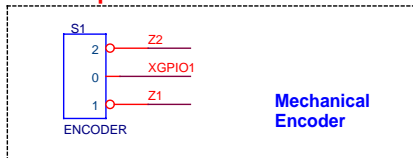


Figure 4.7 - GL603USB-A-XP2P 3D3B Ball Mouse

4.2.2 3D3B with HDNS-2000 Optical Sensor Circuit



Scroll Option



GPIO1 must be refer to the circuit , otherwise the mouse will be failed

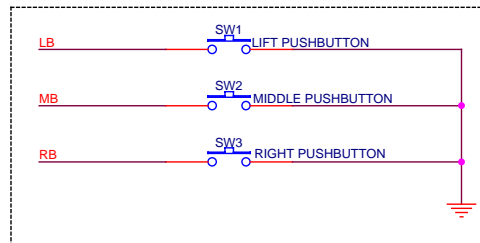
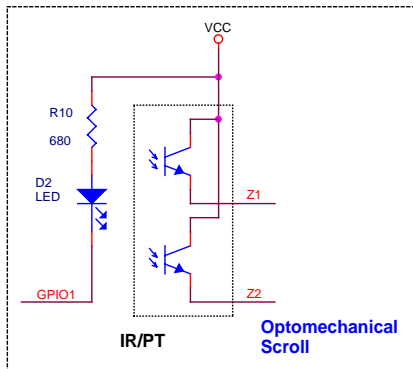
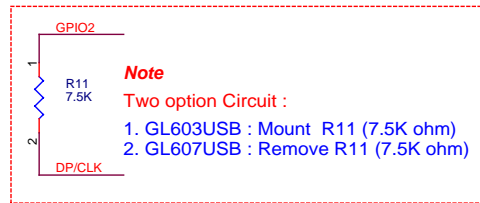
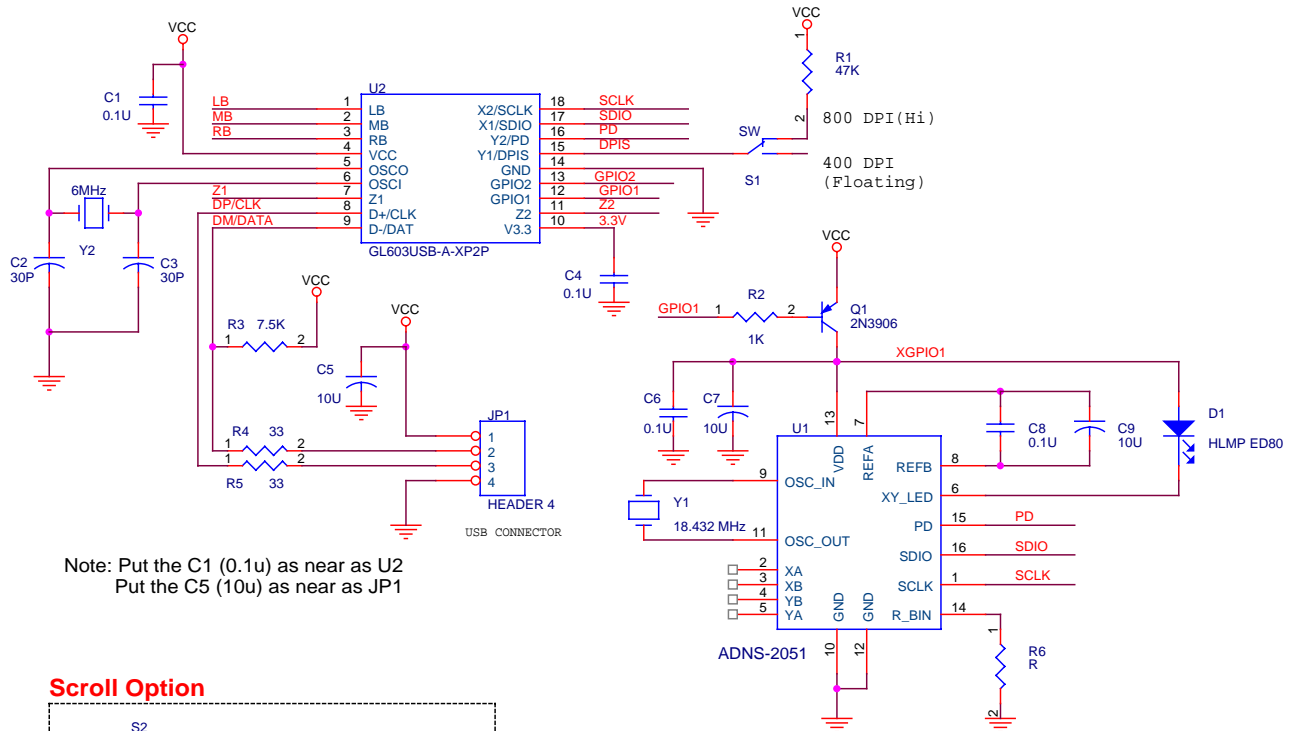


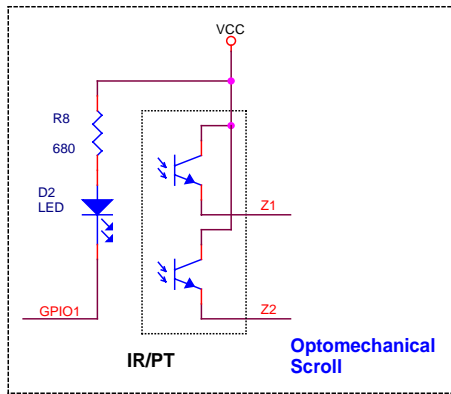
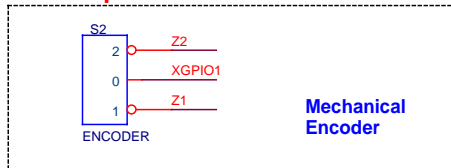
Figure 4.8 - GL603USB-A-XP2P 3D3B HDNS-2000 Optical Mouse

4.2.3 3D3B with ADNS-2051 Optical Sensor Circuit



Note: Put the C1 (0.1u) as near as U2
Put the C5 (10u) as near as JP1

Scroll Option



GPIO1 must refer to the circuit , otherwise the mouse will be failed

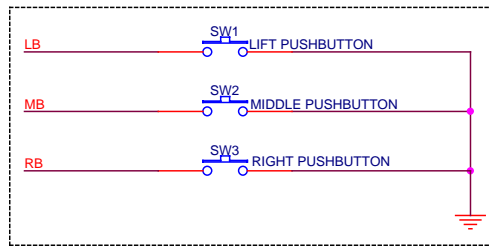
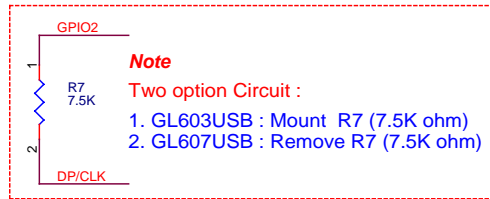


Figure 4.9 - GL603USB-A-XP2P 3D3B ADNS-2051 Optical Mouse

4.2.4 3D3B with ADNS-2610 Optical Sensor Circuit

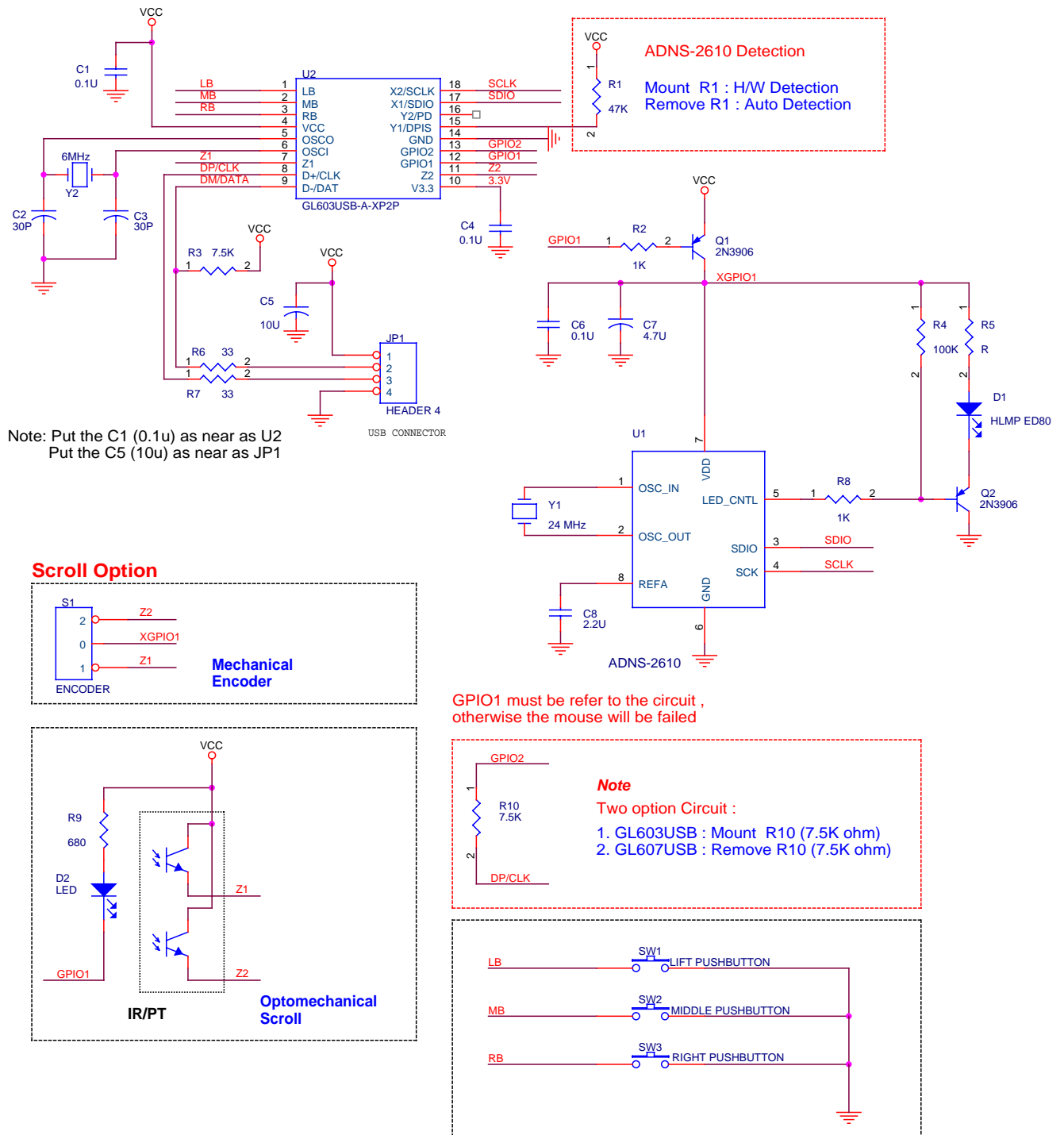


Figure 4.10 - GL603USB-A-XP2P 3D3B ADNS-2610 Optical Mouse

4.2.5 3D3B with ADNS-2620 Optical Sensor Circuit

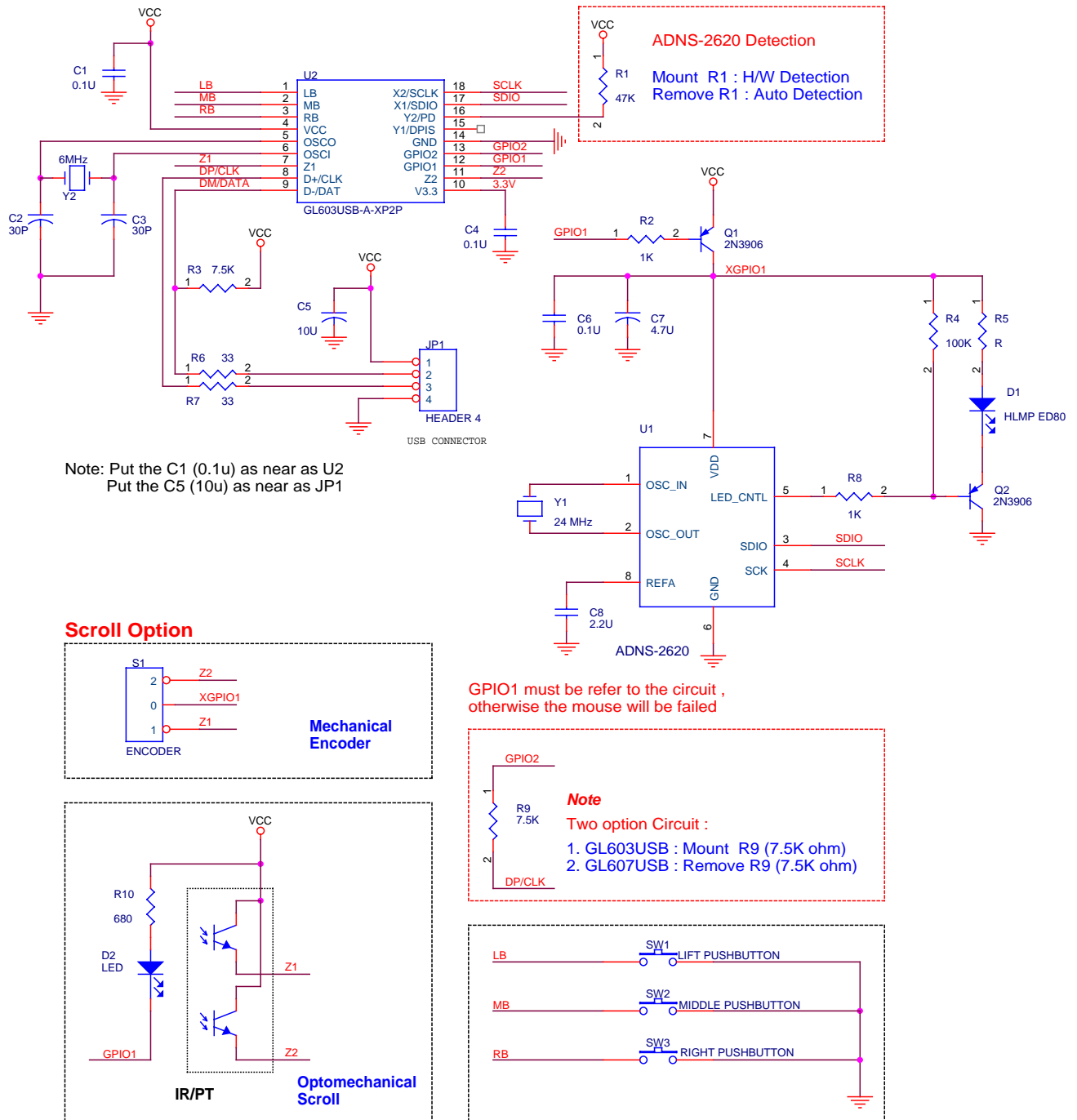
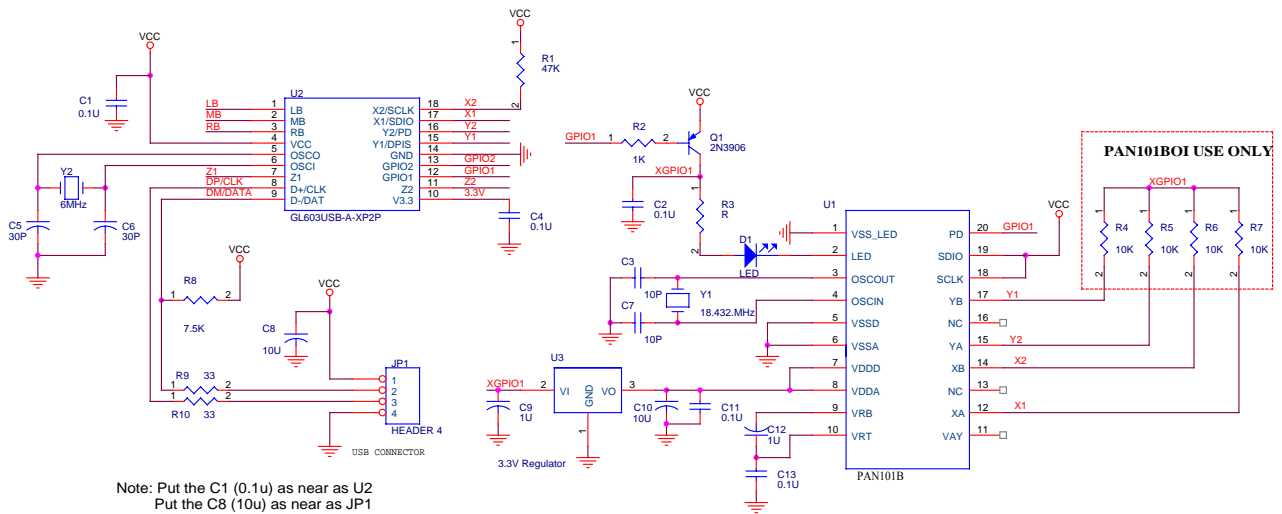


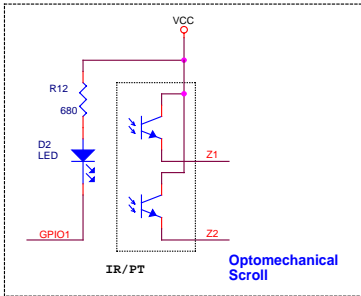
Figure 4.11 - GL603USB-A-XP2P 3D3B ADNS-2620 Optical Mouse

4.2.6 3D3B with PAN101B Optical Sensor Circuit



Note: Put the C1 (0.1u) as near as U2
Put the C8 (10u) as near as JP1

Scroll Option



GPIO1 must refer to the circuit , otherwise the mouse will be failed

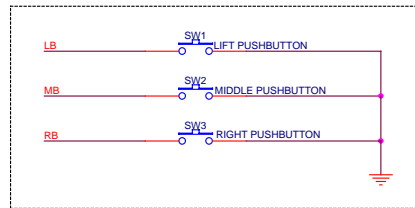
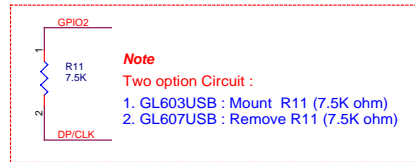
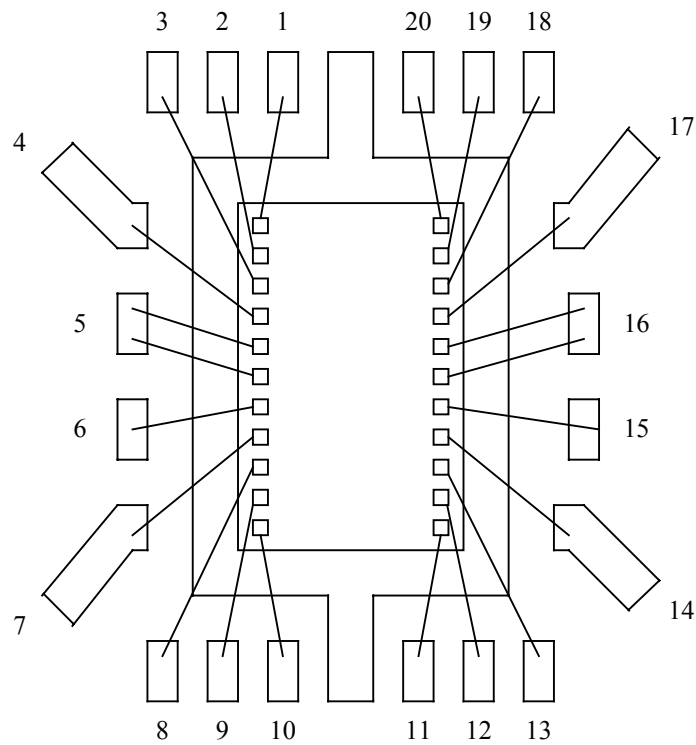


Figure 4.12 - GL603USB-A-XP2P 3D3B PAN101B Optical Mouse

CHAPTER 5 BONDING DIAGRAM

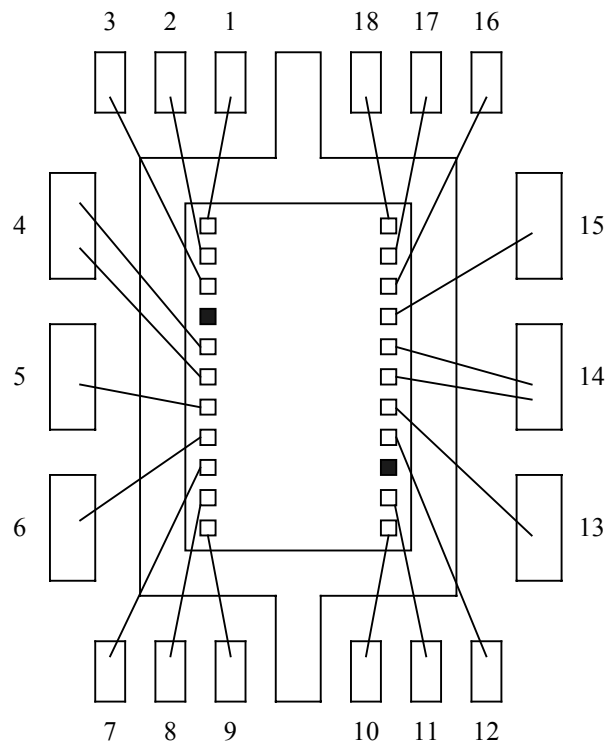
5.1 GL603USB-XP2P for 3D5B 20-pin



Chip substrate should be connected to GND

Figure 5.1 - GL603USB-XP2P for 3D5B 20-Pin

5.2 GL603USB-A-XP2P for 3D3B 18-pin



Chip substrate should be connected to GND

Figure 5.2 - GL603USB-A-XP2P for 3D3B 18-Pin

CHAPTER 6 PACKAGE DIMENSION

6.1 GL603USB-XP2P P-DIP and SOP Package

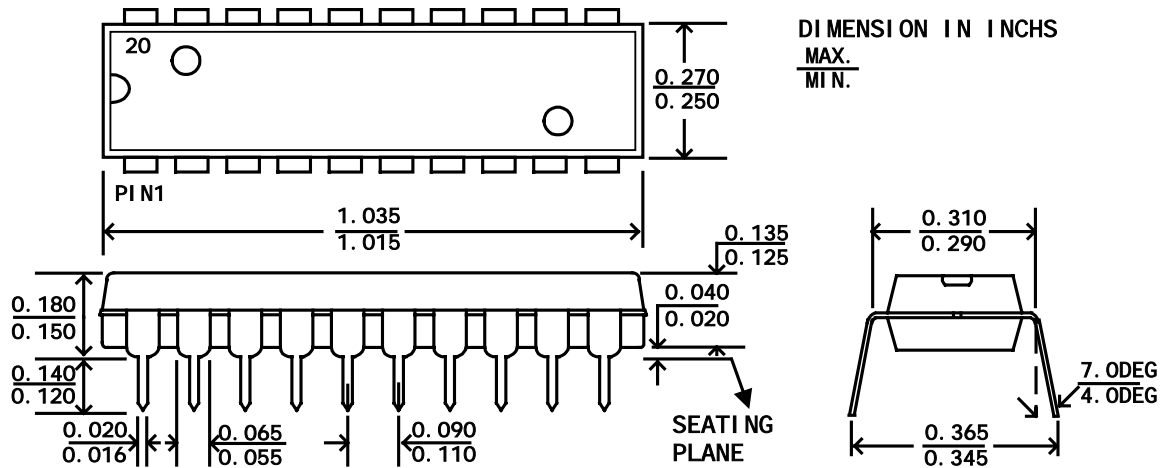


Figure 6.1 – Package Outline Dimension for 20-Pin P-DIP

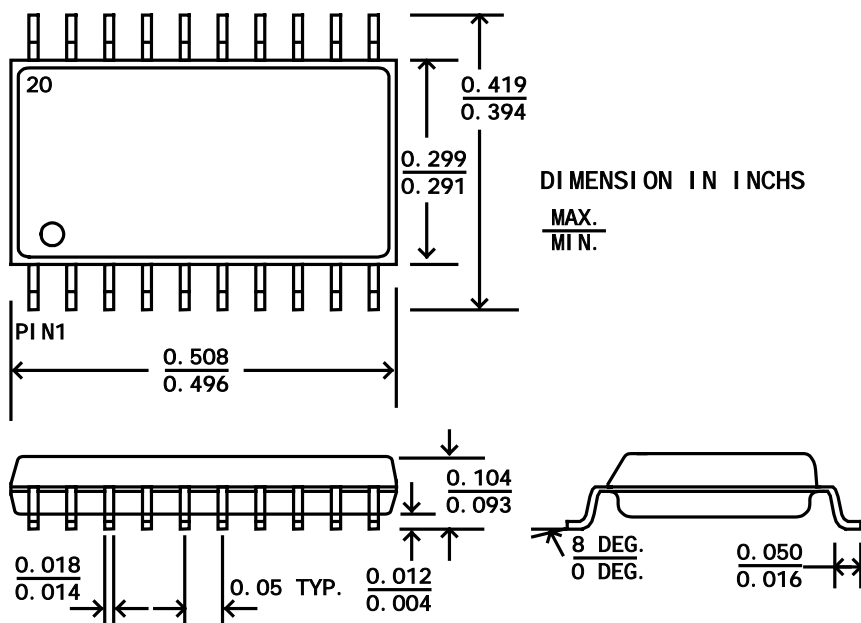


Figure 6.2 – Package Outline Dimension for 20-Pin SOP

6.2 GL603USB-A-XP2P P-DIP and SOP Package

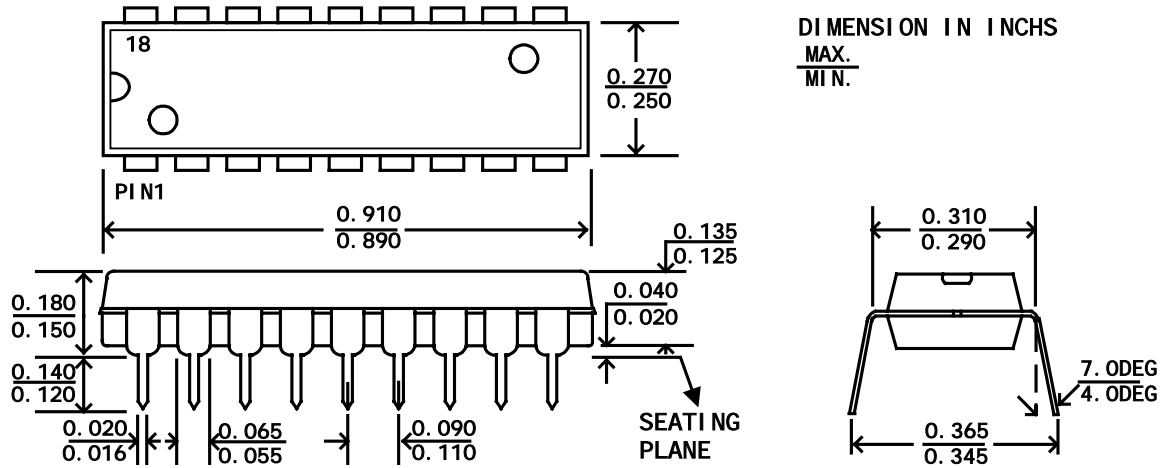


Figure 6.3 – Package Outline Dimension for 18-Pin P-DIP

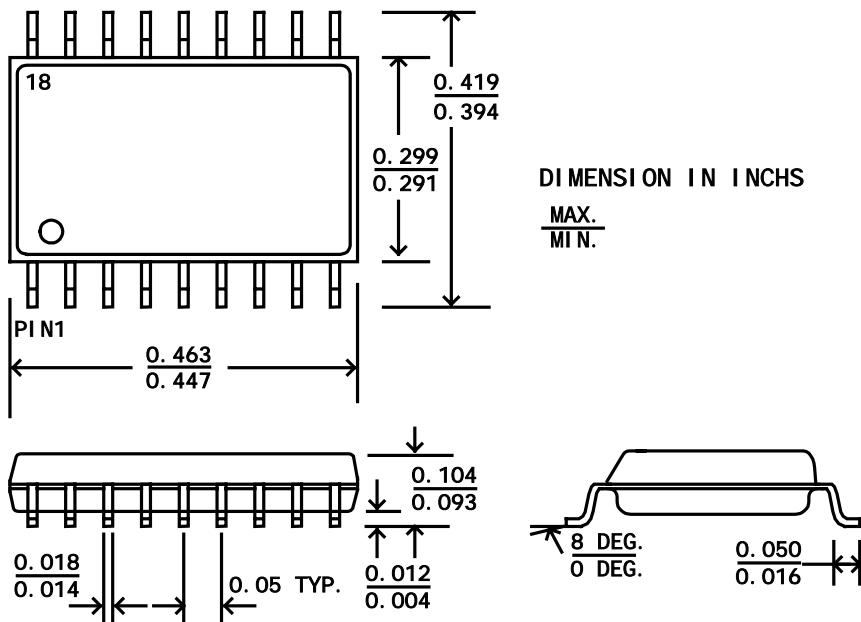


Figure 6.4 – Package Outline Dimension for 18-Pin SOP