

10/100BASE-TX QUAD PORT TRANSFORMER MODULES

For Use with Transceivers Requiring 1:1 Transmit and Receive Turns Ratios



- Patented Interlock Base design
- Compliant with IEEE 802.3u and ANSI X3.263 standards
- Models designed to support four single or double stacked RJ-45 connectors
- IC grade transfer-molded package withstands 235°C peak temperature profile

Electrical Specifications @ 25°C — Operating Temperature 0°C to 70°C

| Part Number | Insertion Loss (dB TYP) | Return Loss (dB TYP) | | | | Crosstalk (dB TYP) | | | | Common to Common Rejection Ratio 0.1-60 MHz (dB TYP) | | Differential to Common Mode Rejection (dB TYP) | |
|---------------------|-------------------------|----------------------|----------|--------|--------|--------------------|-------|--------|--------|--|----------|--|----------|
| | | 0.1-100 MHz | 2-30 MHz | 40 MHz | 50 MHz | 60-80 MHz | 1 MHz | 30 MHz | 60 MHz | 100 MHz | Transmit | Receive | 1-60 MHz |
| H1036L | -0.5 | -21 | -17 | -14.5 | -12 | -65 | -55 | -45 | -35 | -30 | -30 | -40 | -30 |
| H1044 | -0.5 | -21 | -17 | -14.5 | -12 | -65 | -55 | -45 | -35 | -30 | -30 | -40 | -30 |
| H1053 | -0.5 | -21 | -17 | -14.5 | -12 | -65 | -50 | -40 | -30 | -30 | -30 | -40 | -30 |
| H1060 | -0.5 | -21 | -17 | -14.5 | -12 | -65 | -50 | -40 | -30 | -30 | -30 | -40 | -30 |
| H1062 | -0.5 | -21 | -17 | -14.5 | -12 | -65 | -55 | -45 | -35 | -30 | -30 | -40 | -30 |
| H1071 | -0.5 | -21 | -17 | -14.5 | -12 | -65 | -50 | -40 | -30 | -30 | -30 | -40 | -30 |
| H1166 | -0.5 | -16 | -14.4 | -13.1 | -12 | -50 | -45 | -40 | -35 | -30 | -30 | -40 | -30 |
| HX1203 ¹ | -0.5 | -21 | -17 | -14.5 | -12 | -65 | -55 | -45 | -35 | -30 | -30 | -40 | -30 |
| HX1236 ¹ | -0.5 | -18 | -16 | -14.5 | -12 | -50 | -45 | -40 | -35 | -30 | -30 | -40 | -35 |

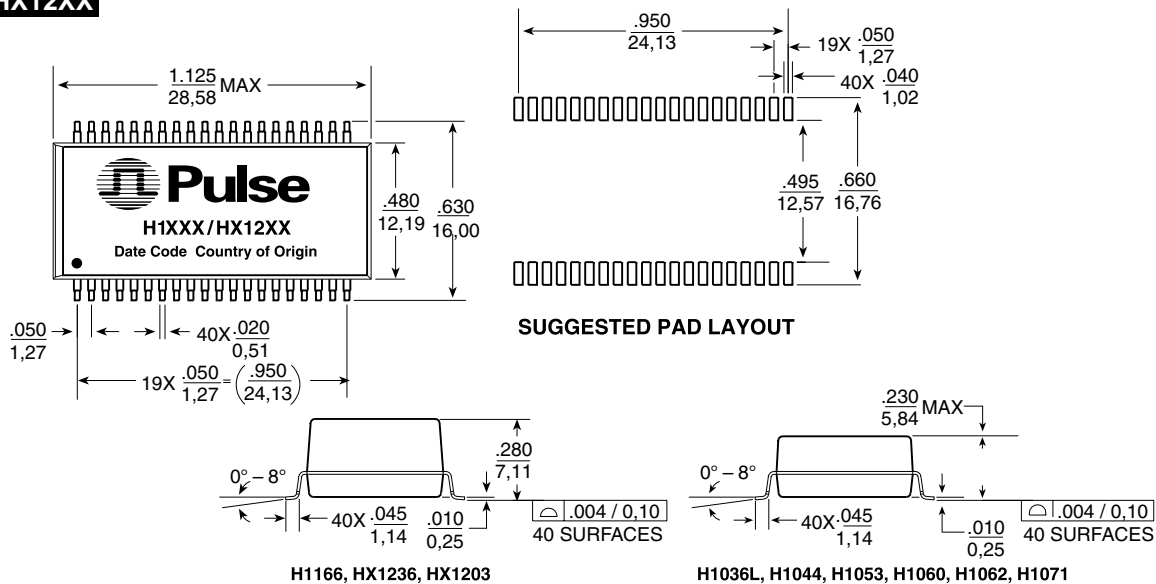
1. Operating temperature -40° to +85°C.

Patent No. 5,015,981

NOTE: All models meet input/output breakdown (Hipot) of 1500 Vrms.

Mechanical

H1XXX, HX12XX



Dimensions: Inches
mm

Unless otherwise specified, all tolerances are ± .010 / 0.25

Weight 4.0 grams TYP
Tube 15/tube
Tape & Reel 250/reel

H1166, HX1236, HX1203

H1036L, H1044, H1053, H1060, H1062, H1071

10/100BASE-TX QUAD PORT TRANSFORMER MODULES

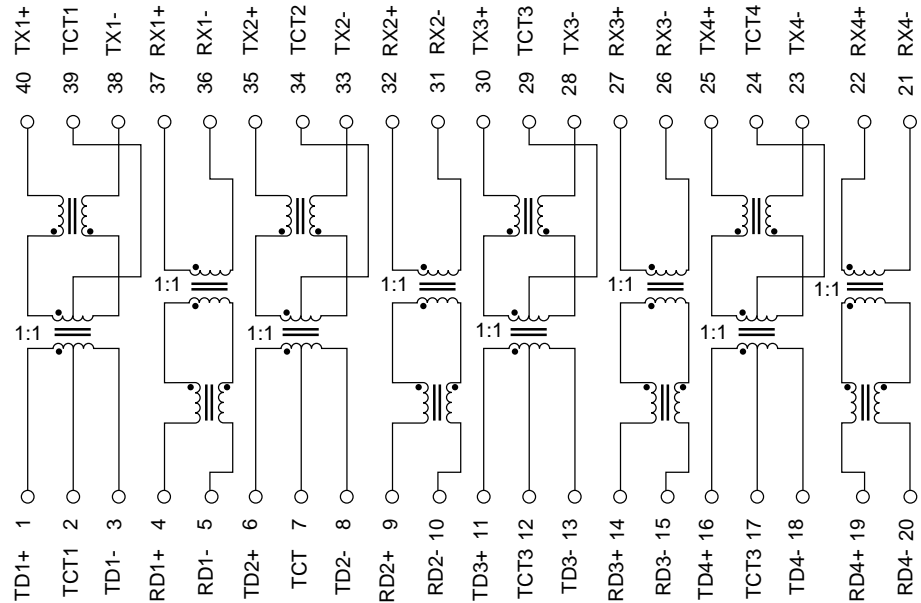
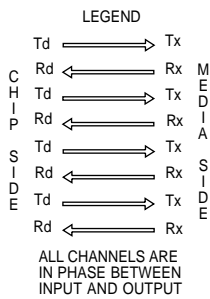


For Use with Transceivers Requiring 1:1 Transmit and Receive Turns Ratios

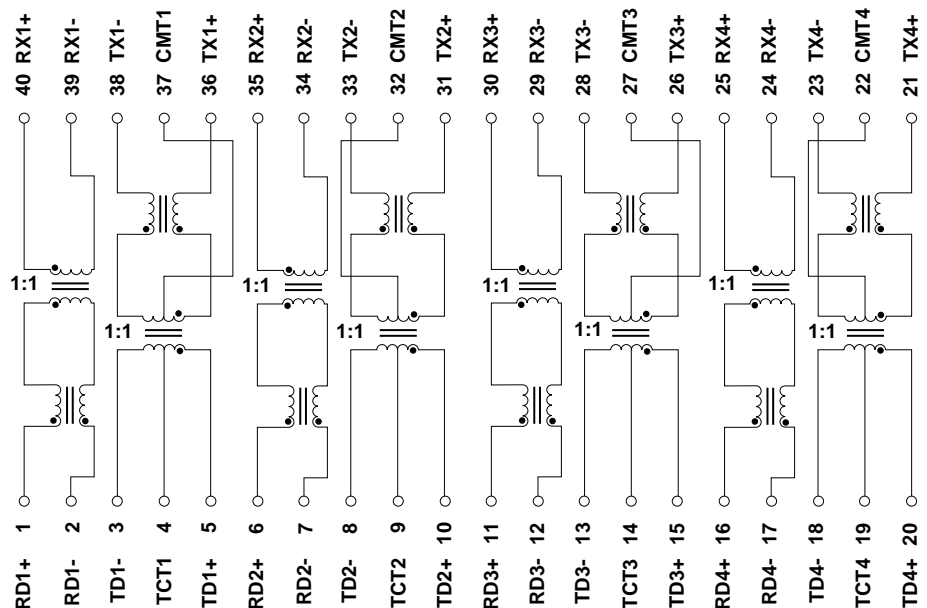
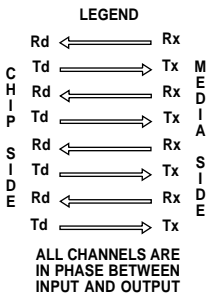
Quad-Port Solutions: The H1036L, H1044, H1053, H1060, H1062, H1071, and H1166 are quad modules designed to support four single or double stacked RJ-45 connectors. Each has a different pinout for optimization in layout with various IC manufacturers.

Schematics

H1036L, HX1236



H1044



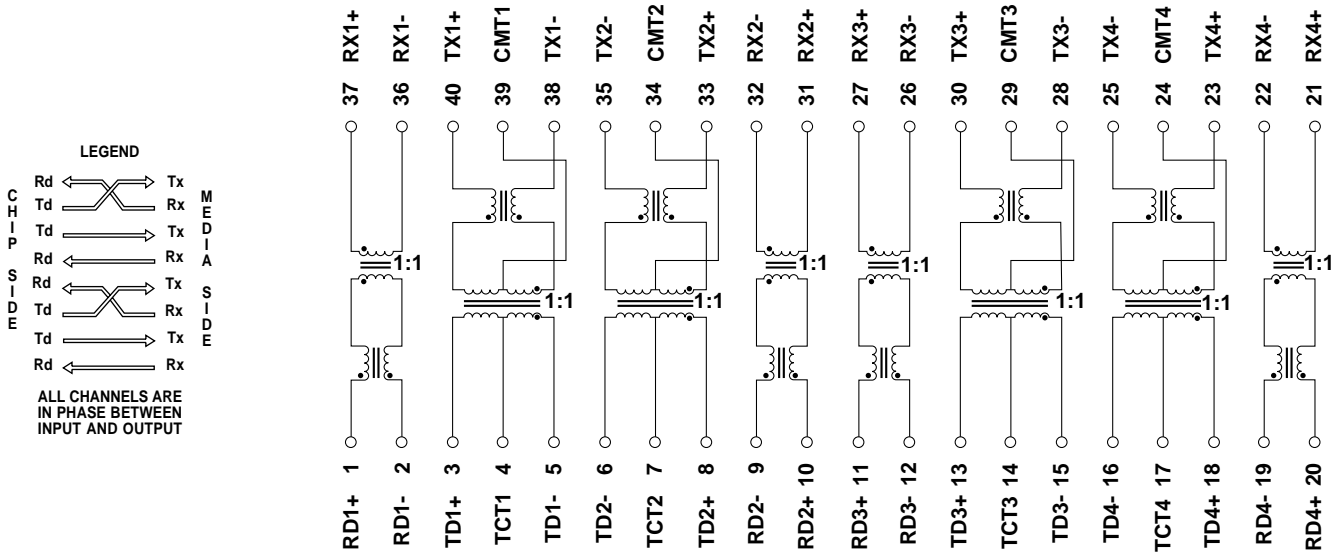
10/100BASE-TX QUAD PORT TRANSFORMER MODULES

For Use with Transceivers Requiring
1:1 Transmit and Receive Turns Ratios

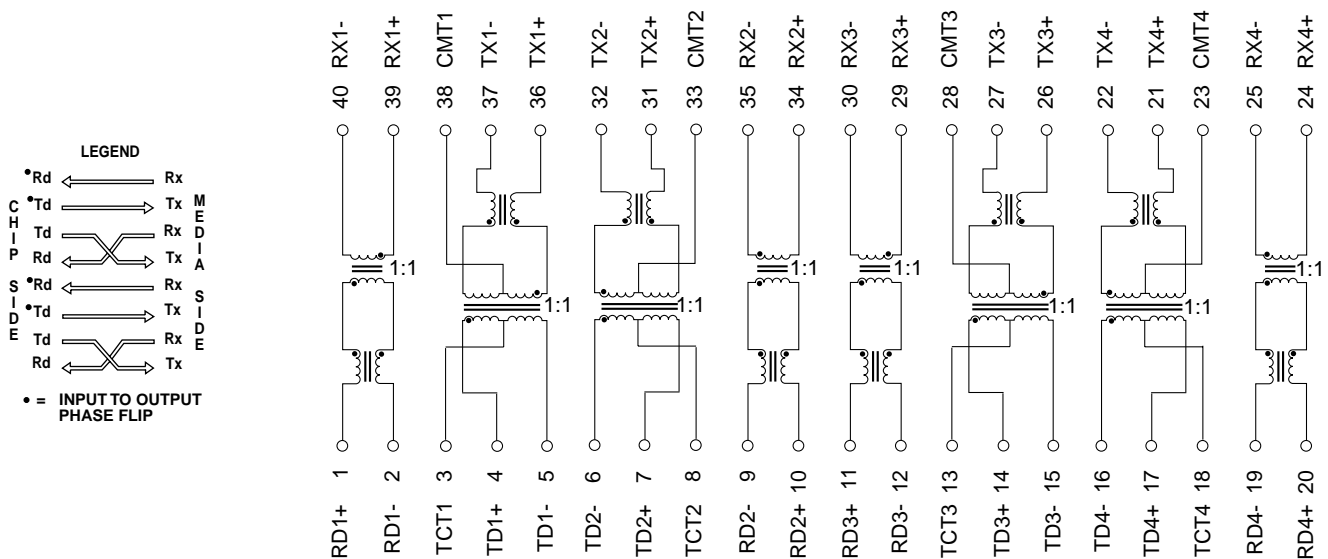


Schematics

H1053



H1060



10/100BASE-TX QUAD PORT TRANSFORMER MODULES

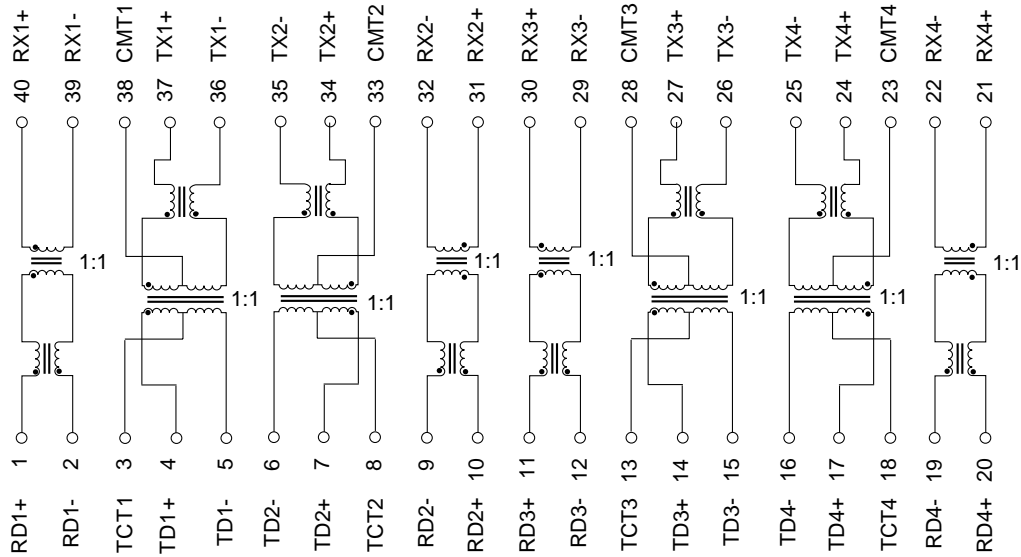
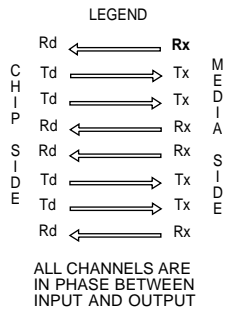


Pulse
A TECHNITROL COMPANY

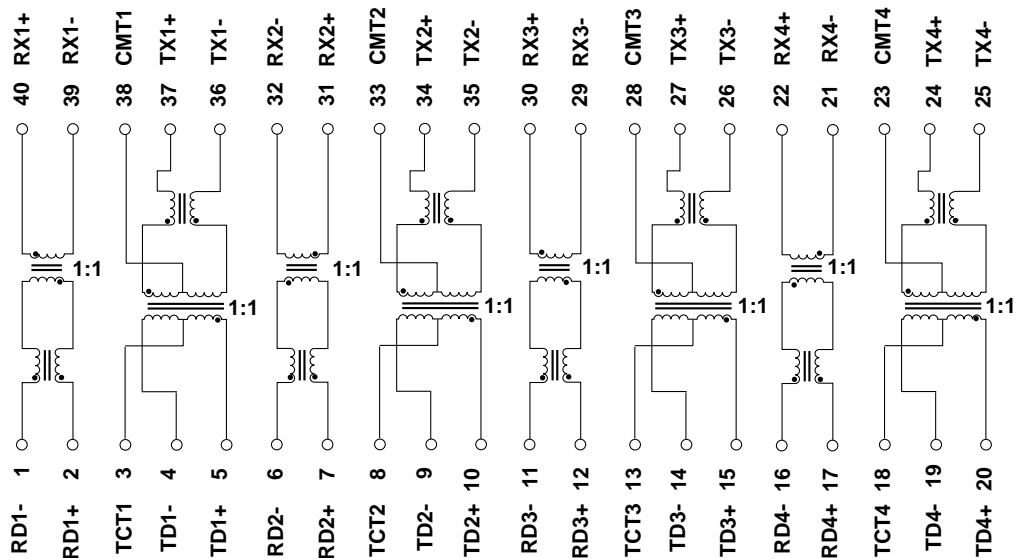
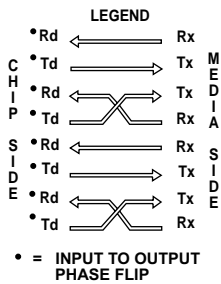
For Use with Transceivers Requiring
1:1 Transmit and Receive Turns Ratios

Schematics

H1062, HX1203



H1071



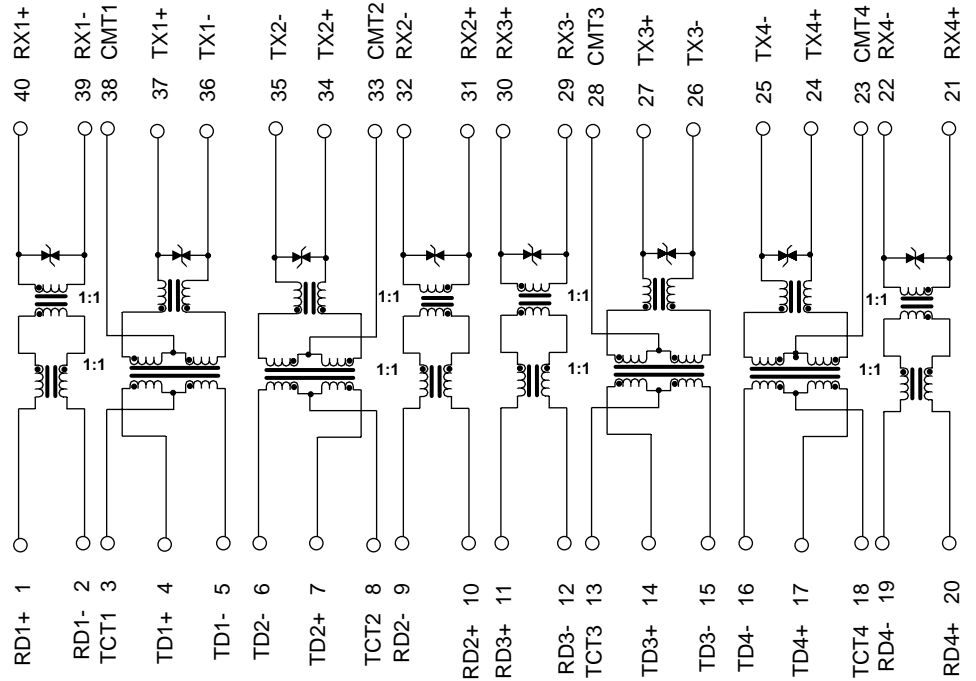
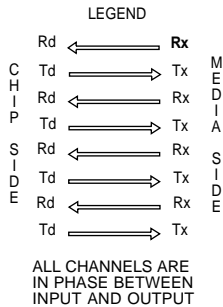
10/100BASE-TX QUAD PORT TRANSFORMER MODULES

For Use with Transceivers Requiring 1:1 Transmit and Receive Turns Ratios



Schematics

H1166

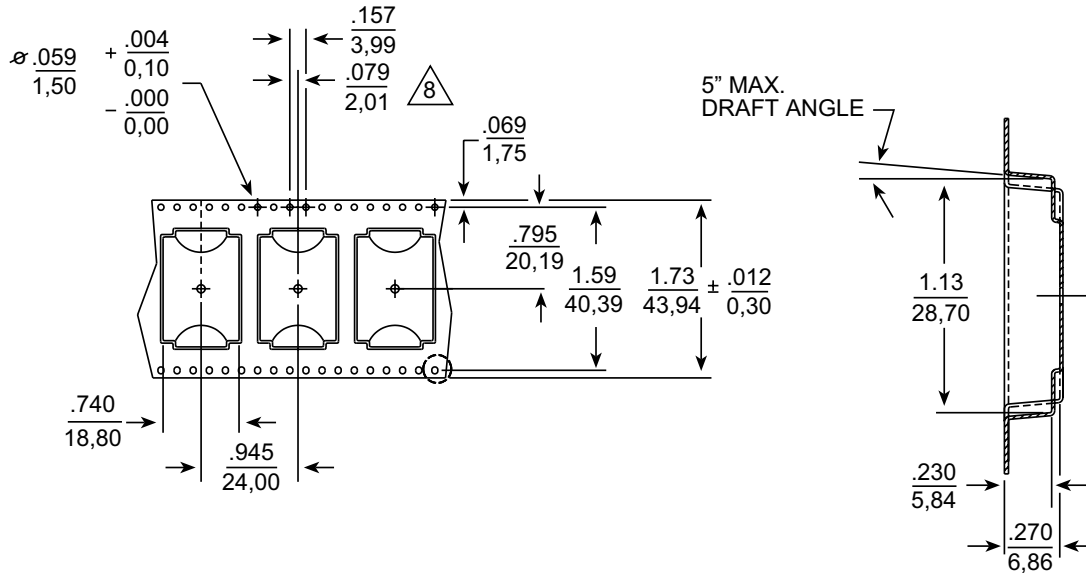


10/100BASE-TX QUAD PORT TRANSFORMER MODULES

For Use with Transceivers Requiring 1:1 Transmit and Receive Turns Ratios



Tape & Reel Specifications



For More Information :

| UNITED STATES (Worldwide) | UNITED KINGDOM (Northern Europe) | FRANCE (Southern Europe) | SINGAPORE (Southern Asia) | TAIWAN, R.O.C. (Northern Asia) | HONG KONG (China/Hong Kong) | DISTRIBUTOR |
|---|--|---|---|---|---|-------------|
| 12220 World Trade Drive San Diego, CA 92128 U.S.A. http://www.pulseeng.com TEL: 858 674 8100 FAX: 858 674 8262 | 1 & 2 Huxley Road The Surrey Research Park Guildford, Surrey GU2 5RE United Kingdom TEL: 44 1483 401700 FAX: 44 1483 401701 | Zone Industrielle F-39270 Orgelet France TEL: 33 3 84 35 04 04 FAX: 33 3 84 25 46 41 | 150 Kampong Ampat #07-01/02 KA Centre Singapore 368324 TEL: 65 287 8998 FAX: 65 280 0080 | 3F-4, No. 81, Sec. 1 HsinTai Wu Road Hsi-Chih, Taipei Hsien Taiwan, R.O.C. Tel: 886 2 2698 0228 FAX: 886 2 2698 0948 | 19/F, China United Plaza 1008 Tai Nan West Street Cheung Sha Wan, Kowloon Hong Kong, China Tel: 852 2788 6588 FAX: 852 2776 1055 | |

Performance warranty of products offered on this data sheet is limited to the parameters specified. Data is subject to change without notice. Other brand and product names mentioned herein may be trademarks or registered trademarks of their respective owners.

Printed on recycled paper. ©2002, Pulse Engineering, Inc.