



M.S.KENNEDY CORP.

75 VOLT 8 AMP MOSFET H-BRIDGE PWM MOTOR DRIVER/AMPLIFIER

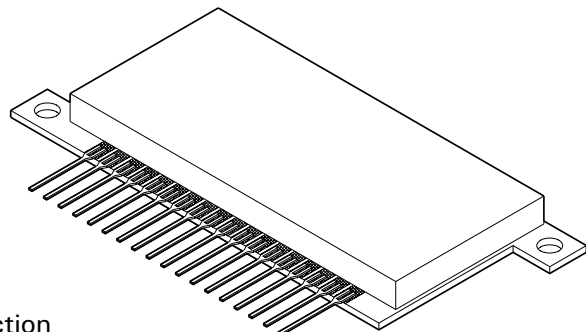
4222

4707 Dey Road Liverpool, N.Y. 13088

(315) 701-6751

FEATURES:

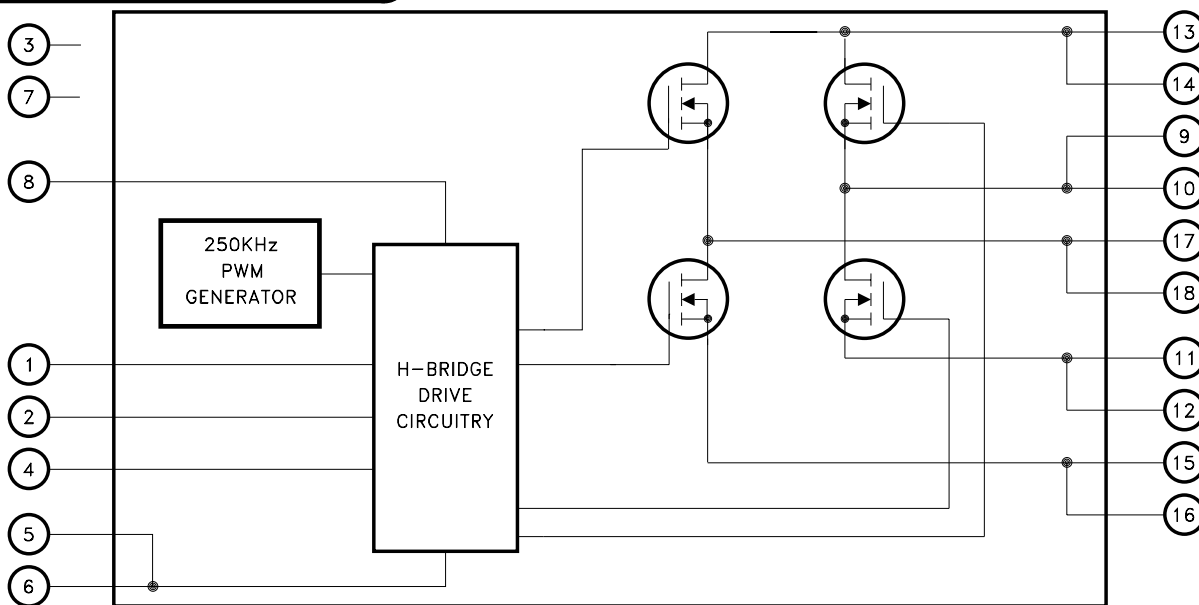
- Low Cost Complete H-Bridge
- 8 Amp Capability, 75 Volt Maximum Rating
- Self-contained Smart Lowside/Highside Drive Circuitry
- Internal 250KHz PWM Generation, Shoot-through Protection
- Isolated Case Allows Direct Heatsinking
- Four Quadrant Operation, Torque Control Capability
- Logic Level Disable Input
- Logic Level High Side Enable Input for Special Modulation or Function



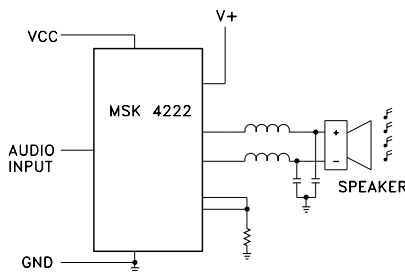
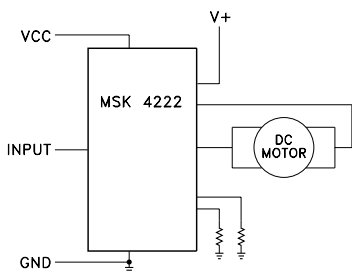
DESCRIPTION:

The MSK 4222 is a complete H-Bridge circuit to be used for DC brushed motor control or Class D switchmode amplification. All of the drive/control circuitry for the lowside and highside switches are internal to the circuit. The 250KHz PWM circuitry is internal as well, leaving the user to only provide an analog signal for the motor speed/direction, or audio signal for switchmode audio amplification. The MSK 4222 is constructed on a space efficient ceramic coated insulated metal substrate that can be directly connected to a heatsink.

EQUIVALENT SCHEMATIC



TYPICAL APPLICATIONS



PIN-OUT INFORMATION

1 HEN	18 Output B
2 Disable	17 Output B
3 N/C	16 Rsense B
4 Input	15 Rsense B
5 Ground	14 V +
6 Ground	13 V +
7 N/C	12 Rsense A
8 Vcc	11 Rsense A
9 Output A	10 Output A

ABSOLUTE MAXIMUM RATINGS

V ₊	High Voltage Supply	75V	T _{ST}	Storage Temperature Range	-65°C to +150°C
V _{CC}	Logic Supply	16V	T _{LD}	Lead Temperature Range (10 Seconds)	300°C
I _{OUT}	Continuous Output Current	8A	T _C	Case Operating Temperature	MSK4222
I _{PK}	Peak Output Current	14A			-25°C to +125°C
V _{OUT}	Output Voltage Range	GND-2V min. To V ₊ max.	T _J	Junction Temperature	+150°C
θ _{JC}	Thermal Resistance (Output Switches)	5.3°C/W			

ELECTRICAL SPECIFICATIONS

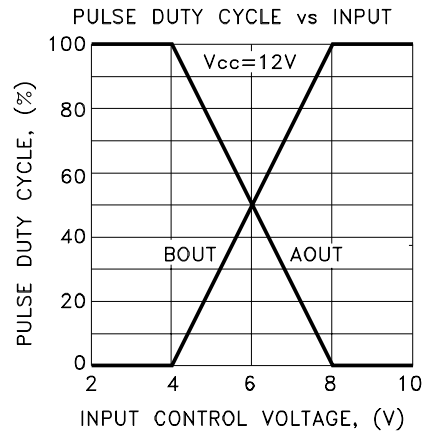
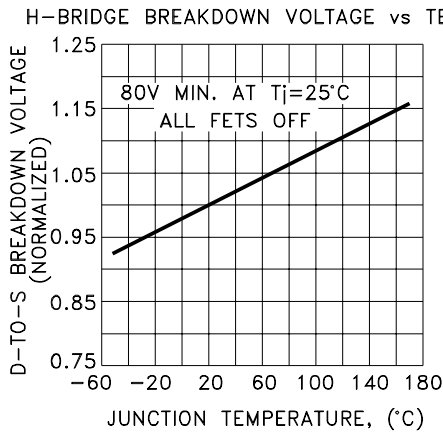
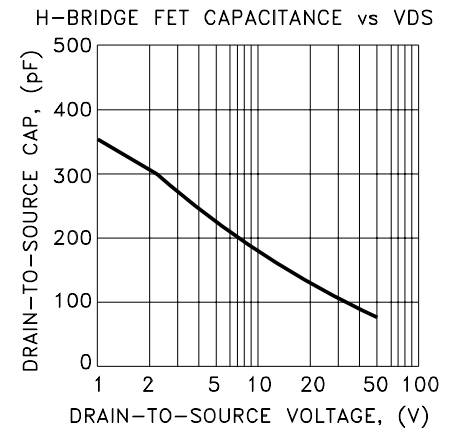
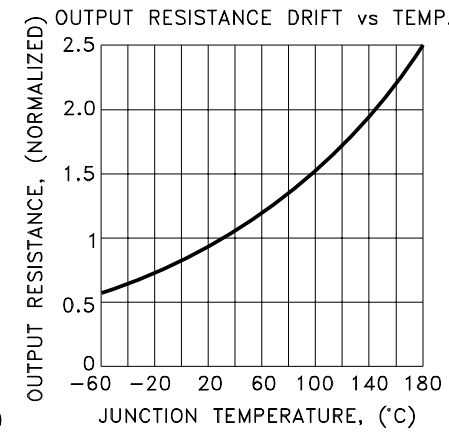
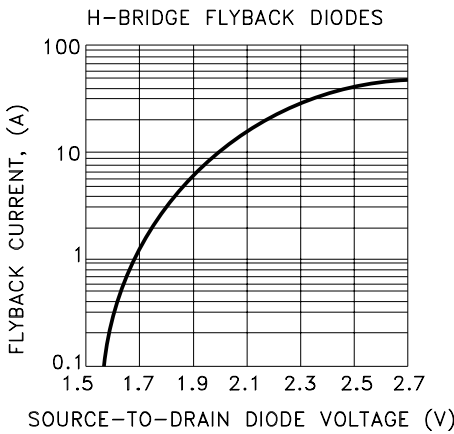
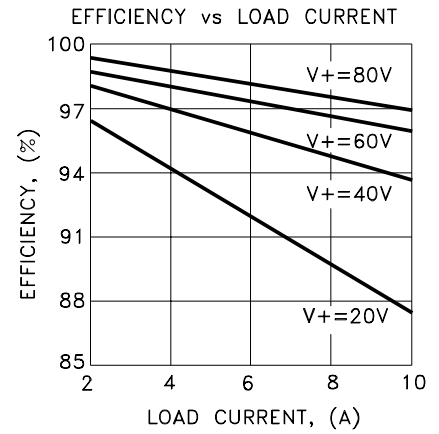
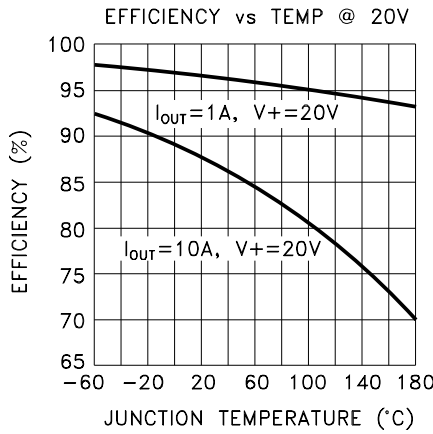
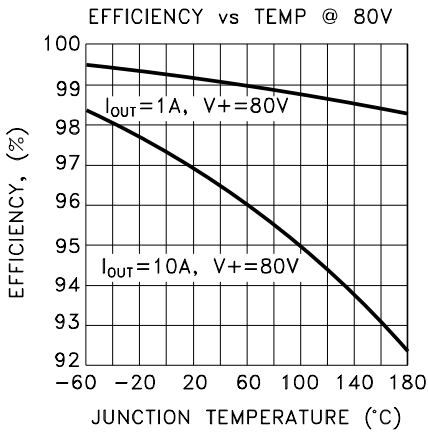
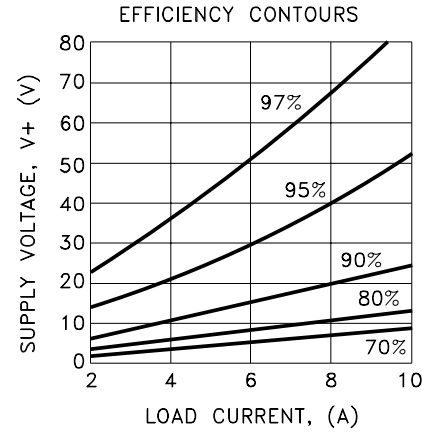
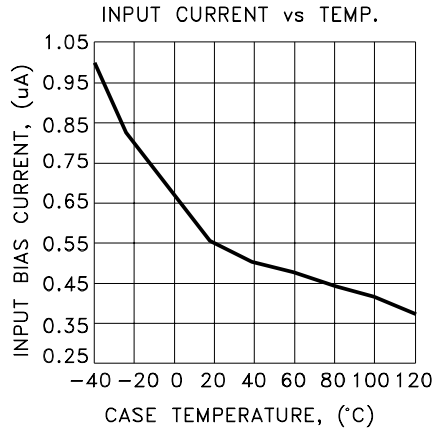
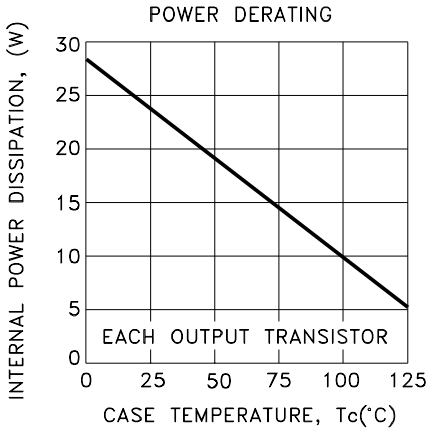
All Ratings: T_C = +25°C Unless Otherwise Specified

Parameter	Test Conditions ②	MSK 4222			Units
		Min.	Typ.	Max.	
OUTPUT CHARACTERISTICS					
V _{DS(ON)} Voltage ①	Each MOSFET I _D = 10A ③	-	1.7	2.5	V
Instantaneous Forward Voltage ①	Each MOSFET I _S = 10A Intrinsic Diode ③	-	2.0	2.5	V
Reverse Recovery Time ①	Intrinsic Diode	-	-	280	nS
Leakage Current ①	Each MOSFET V ₊ = 70V	-	1.0	25	uA
PWM Frequency		225	250	275	KHz
V_{CC} SUPPLY CHARACTERISTICS					
Quiescent Bias Current	Analog Input = 6V _{DC}	-	43	60	mA
V _{CC} Voltage Range ①		9	12	16	V
INPUT SIGNAL CHARACTERISTICS ①					
Analog Input Voltage	Output A,B = 50% Duty Cycle	-	6	-	V
Analog Input Voltage	Output A = 100% Duty Cycle High	-	4	-	V
Analog Input Voltage	Output B = 100% Duty Cycle High	-	8	-	V
LOGIC CONTROL INPUTS ①					
Disable Input	Input Voltage LO	-	-	0.8	V
	Input Voltage HI	2.7	-	-	V
	Input Current (DISABLE = 0V)	-	-	-135	uA
HEN Input	Input Voltage LO	-	-	0.8	V
	Input Voltage HI	2.7	-	-	V
	Input Current (HEN = 0V)	-	-	-270	uA
SWITCHING CHARACTERISTICS ①					
	R _L = 100Ω				
Rise-Time		-	72	108	nS
Fall-Time		-	340	500	nS
Dead-Time		-	100	-	nS

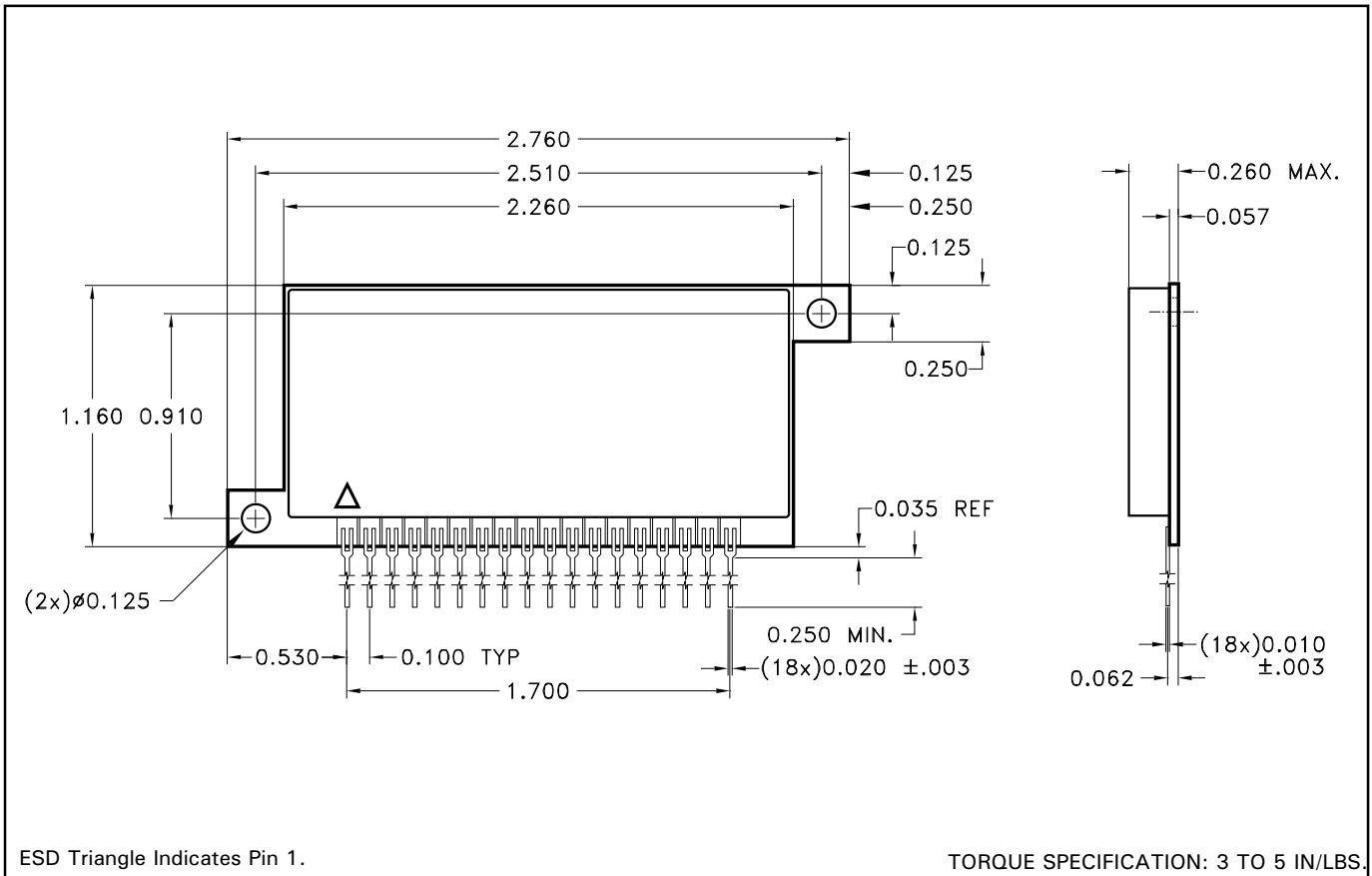
NOTES:

- ① Guaranteed by design but not tested. Typical parameters are representative of actual device performance but are for reference only.
- ② V_{CC} = +12V unless otherwise specified.
- ③ Measure using a 300μS pulse with a 2% Duty Cycle.

TYPICAL PERFORMANCE CURVES



MECHANICAL SPECIFICATIONS



NOTE: ALL DIMENSIONS ARE ± 0.010 UNLESS OTHERWISE LABELED.

ORDERING INFORMATION

Part Number	Screening Level
MSK4222	Industrial

M.S. Kennedy Corp.
 4707 Dey Road, Liverpool, New York 13088
 Phone (315) 701-6751
 FAX (315) 701-6752
www.mskennedy.com

The information contained herein is believed to be accurate at the time of printing. MSK reserves the right to make changes to its products or specifications without notice, however, and assumes no liability for the use of its products.