

### RN5RT SERIES

#### OUTLINE

The RN5RT Series are voltage regulator ICs with high output voltage accuracy and low supply current developed through the use of a CMOS process. Each of these voltage regulator ICs consists of a voltage reference unit, an error amplifier, output voltage setting resistors and a current limit circuit.

The output voltage of these ICs is fixed with high accuracy.

The built-in Driver Transistor of low ON Resistance permits developing of low dropout CMOS type regulator as RN5RT Series.

Even if  $V_{OUT}$  is shorted to GND, the current limit circuit protects the ICs from destruction.

Furthermore, these ICs have a chip enable function, so that the supply current on standby can be minimized.

Since the package for these ICs is the SOT-23-5 (Mini-mold) package, high density mounting of the ICs on boards is possible.

#### FEATURES

- Ultra-Low Supply Current.....TYP. 4 $\mu$ A (except ICEL)
- Standby Mode.....TYP. 0.1 $\mu$ A
- Low Dropout Voltage .....TYP. 0.3V ( $I_{OUT}$ =60mA, RN5RT30A)
- Low Temperature-Drift Coefficient of Output Voltage.....TYP.  $\pm$ 100ppm/ $^{\circ}$ C
- Excellent Line Regulation.....TYP. 0.15%/V
- Output Voltage .....Stepwise setting with a step of 0.1V in the range of 2.0V to 6.0V is possible (refer to Selection Guide).
- High Accuracy Output Voltage ..... $\pm$ 2.0%
- Built-in Current Limit Circuits .....TYP. 30mA
- Small Package.....SOT-23-5 (Mini-mold)

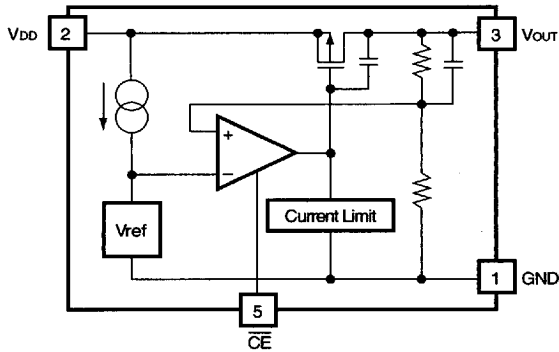
#### APPLICATIONS

- Power source for battery-powered equipment.
- Power source for cellular phones, cameras, VCRs, camcorders, hand-held audio instruments and hand-held communication equipment.
- Power source for domestic appliances.

7744690 0003987 222

# RICOH

### BLOCK DIAGRAM



### SELECTION GUIDE

The output voltage, the packing type, and the taping type for the ICs can be selected at the user's request. These selections can be made by designating the part number as shown below:

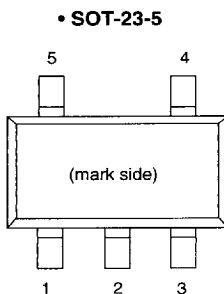
RN5RT xxxx - x ← Part Number  
 ↑ ↑ ↑ ↑  
 a b c d

Code	Contents
a	Setting Output Voltage (V <sub>OUT</sub> ) : Stepwise setting with a step of 0.1V in the range of 2.0V to 6.0V is possible.
b	A
c	Designation of Packing Type : A : Taping C : Antistatic bag (for Samples only)
d	Designation of Taping Type : Ex. TR, TL (refer to Taping Specifications ; TR type is the standard direction.)

7744690 0003988 169

**RICOH**

## PIN CONFIGURATION



## PIN DESCRIPTION

Pin No.	Symbol	Description
1	GND	Ground Pin
2	VDD	Input Pin
3	VOUT	Output Pin
4	NC	No Connection
5	$\overline{\text{CE}}$	Chip Enable Pin

## ABSOLUTE MAXIMUM RATINGS

Symbol	Item	Ratings	Unit
V <sub>IN</sub>	Input Voltage	9	V
V <sub>CE</sub>	Input Voltage ( $\overline{\text{CE}}$ Pin)	-0.3 to V <sub>IN</sub> +0.3	V
V <sub>OUT</sub>	Output Voltage	-0.3 to V <sub>IN</sub> +0.3	V
I <sub>OUT</sub>	Output Current	150	mA
P <sub>D</sub>	Power Dissipation	150	mW
T <sub>opt</sub>	Operating Temperature	-40 to +85	°C
T <sub>stg</sub>	Storage Temperature	-55 to +125	°C
T <sub>solder</sub>	Lead Temperature (Soldering)	260°C, 10s	

### ABSOLUTE MAXIMUM RATINGS

Absolute Maximum ratings are threshold limit values that must not be exceeded even for an instant under any conditions. Moreover, such values for any two items must not be reached simultaneously. Operation above these absolute maximum ratings may cause degradation or permanent damage to the device. These are stress ratings only and do not necessarily imply functional operation below these limits.

7744690 0003989 0T5

**RICOH**

## ELECTRICAL CHARACTERISTICS

## • RN5RT30A

T<sub>opt</sub>=25°C

Symbol	Item	Conditions	MIN.	TYP.	MAX.	Unit
V <sub>OUT</sub>	Output Voltage	V <sub>IN</sub> =4.0V, I <sub>OUT</sub> =10mA	2.940	3.000	3.060	V
I <sub>OUT</sub>	Output Current	V <sub>IN</sub> =4.0V	40	60		mA
$\frac{\Delta V_{OUT}}{\Delta I_{OUT}}$	Load Regulation	V <sub>IN</sub> =4.0V 1mA ≤ I <sub>OUT</sub> ≤ 60mA		40	80	mV
V <sub>DIF</sub>	Dropout Voltage	I <sub>OUT</sub> =60mA		0.3	0.5	V
I <sub>SS</sub>	Supply Current	V <sub>IN</sub> =4.0V (except I <sub>CEL</sub> )		4.0	10	μA
I <sub>standby</sub>	Supply Current (Standby)	V <sub>IN</sub> =V <sub>CE</sub> =4.0V		0.1	1.0	μA
$\frac{\Delta V_{OUT}}{\Delta V_{IN}}$	Line Regulation	I <sub>OUT</sub> =30mA V <sub>OUT</sub> +0.5V ≤ V <sub>IN</sub> ≤ 8V	0	0.15	0.3	%/V
V <sub>IN</sub>	Input Voltage				8	V
$\frac{\Delta V_{OUT}}{\Delta T_{opt}}$	Output Voltage Temperature Coefficient	I <sub>OUT</sub> =10mA -40°C ≤ T <sub>opt</sub> ≤ 85°C		±100		ppm/°C
I <sub>lim</sub>	Short Current Limit	V <sub>OUT</sub> =0V		30		mA
V <sub>CEH</sub>	$\overline{CE}$ Input Voltage "H"		1.5			V
V <sub>CEL</sub>	$\overline{CE}$ Input Voltage "L"				0.25	V
I <sub>CEH</sub>	$\overline{CE}$ Input Current "H"	V <sub>CE</sub> =V <sub>IN</sub>		0	0.1	μA
I <sub>CEL</sub>	$\overline{CE}$ Input Current "L"	V <sub>CE</sub> =0V	-4.0	-2.0	-0.1	μA

7744690 0003990 817

RICOH

## • RN5RT40A

T<sub>opt</sub>=25°C

Symbol	Item	Conditions	MIN.	TYP.	MAX.	Unit
V <sub>OUT</sub>	Output Voltage	V <sub>IN</sub> =5.0V, I <sub>OUT</sub> =10mA	3.920	4.000	4.080	V
I <sub>OUT</sub>	Output Current	V <sub>IN</sub> =5.0V	50	80		mA
$\frac{\Delta V_{OUT}}{\Delta I_{OUT}}$	Load Regulation	V <sub>IN</sub> =5.0V 1mA ≤ I <sub>OUT</sub> ≤ 80mA		40	80	mV
V <sub>DIF</sub>	Dropout Voltage	I <sub>OUT</sub> =80mA		0.3	0.5	V
I <sub>SS</sub>	Supply Current	V <sub>IN</sub> =5.0V (expect I <sub>CEL</sub> )		4	10	μA
I <sub>standby</sub>	Supply Current (Standby)	V <sub>IN</sub> =V <sub>CE</sub> =5.0V		0.1	1.0	μA
$\frac{\Delta V_{OUT}}{\Delta V_{IN}}$	Line Regulation	I <sub>OUT</sub> =30mA V <sub>OUT</sub> +0.5V ≤ V <sub>IN</sub> ≤ 8V		0.15	0.3	%/V
V <sub>IN</sub>	Input Voltage				8	V
$\frac{\Delta V_{OUT}}{\Delta T_{opt}}$	Output Voltage Temperature Coefficient	I <sub>OUT</sub> =10mA -40°C ≤ T <sub>opt</sub> ≤ 85°C		±100		ppm/°C
I <sub>lim</sub>	Short Current Limit	V <sub>OUT</sub> =0V		30		mA
V <sub>CEH</sub>	$\overline{CE}$ Input Voltage "H"		1.5			V
V <sub>CEL</sub>	$\overline{CE}$ Input Voltage "L"				0.25	V
I <sub>CEH</sub>	$\overline{CE}$ Input Current "H"	V <sub>CE</sub> =V <sub>IN</sub>		0	0.1	μA
I <sub>CEL</sub>	$\overline{CE}$ Input Current "L"	V <sub>CE</sub> =0V	-4.0	-2.0	-0.1	μA

7744690 0003991 753

RICOH

# RN5RT

## • RN5RT50A

T<sub>opt</sub>=25°C

Symbol	Item	Conditions	MIN.	TYP.	MAX.	Unit
V <sub>OUT</sub>	Output Voltage	V <sub>IN</sub> =6.0V, I <sub>OUT</sub> =10mA	4.900	5.000	5.100	V
I <sub>OUT</sub>	Output Current	V <sub>IN</sub> =6.0V	65	100		mA
$\frac{\Delta V_{OUT}}{\Delta I_{OUT}}$	Load Regulation	V <sub>IN</sub> =6.0V 1mA ≤ I <sub>OUT</sub> ≤ 100mA		40	80	mV
V <sub>DIF</sub>	Dropout Voltage	I <sub>OUT</sub> =100mA		0.3	0.5	V
I <sub>SS</sub>	Supply Current	V <sub>IN</sub> =6.0V (except I <sub>CEL</sub> )		4	10	μA
I <sub>standby</sub>	Supply Current (Standby)	V <sub>IN</sub> =V <sub>CE</sub> =6.0V		0.1	1.0	μA
$\frac{\Delta V_{OUT}}{\Delta V_{IN}}$	Line Regulation	I <sub>OUT</sub> =30mA V <sub>OUT</sub> +0.5V ≤ V <sub>IN</sub> ≤ 8V		0.15	0.3	%/V
V <sub>IN</sub>	Input Voltage				8	V
$\frac{\Delta V_{OUT}}{\Delta T_{opt}}$	Output Voltage Temperature Coefficient	I <sub>OUT</sub> =10mA -40°C ≤ T <sub>opt</sub> ≤ 85°C		±100		ppm/°C
I <sub>lim</sub>	Short Current Limit	V <sub>OUT</sub> =0V		30		mA
V <sub>CEH</sub>	$\overline{CE}$ Input Voltage "H"		1.5			V
V <sub>CEL</sub>	$\overline{CE}$ Input Voltage "L"				0.25	V
I <sub>CEH</sub>	$\overline{CE}$ Input Current "H"	V <sub>CE</sub> =V <sub>IN</sub>		0	0.1	μA
I <sub>CEL</sub>	$\overline{CE}$ Input Current "L"	V <sub>CE</sub> =0V	-4.0	-2.0	-0.1	μA

7744690 0003992 69T

**RICOH**

PAGE(S) INTENTIONALLY BLANK

---

■ 7744690 0003993 526 ■

**RICOH**

**ELECTRICAL CHARACTERISTICS BY OUTPUT VOLTAGE**

Part Number	Output Voltage			Output Current			Load Regulation			Dropout Voltage			Supply Current			
	Vout (V)			Iout (mA)			ΔVout/ΔIout (mV)			VdIF (V)			Iss (μA)			
	Conditions	MIN.	TYP.	MAX.	Conditions	MIN.	TYP.	Conditions	TYP.	MAX.	Conditions	TYP.	MAX.	Conditions	TYP.	MAX.
RN5RT20A	Vin-Vout -1.0V Iout -10mA	1.960	2.000	2.040	25	40	Vin-Vout =1.0V 1mA ≤ Iout ≤40mA	40	80	0.3	0.5	Vin-Vout =1.0V (expect Icel)	4.0	10		
RN5RT21A		2.058	2.100	2.142												
RN5RT22A		2.156	2.200	2.244												
RN5RT23A		2.254	2.300	2.346												
RN5RT24A		2.352	2.400	2.448												
RN5RT25A		2.450	2.500	2.550												
RN5RT26A		2.548	2.600	2.652												
RN5RT27A		2.646	2.700	2.754												
RN5RT28A		2.744	2.800	2.856												
RN5RT29A		2.842	2.900	2.958												
RN5RT30A		2.940	3.000	3.060												
RN5RT31A		3.038	3.100	3.162	40	60	Vin-Vout =1.0V 1mA ≤ Iout ≤60mA	40	80	0.3	0.5	Vin-Vout =1.0V (expect Icel)	4.0	10		
RN5RT32A		3.136	3.200	3.264												
RN5RT33A		3.234	3.300	3.366												
RN5RT34A		3.332	3.400	3.468												
RN5RT35A		3.430	3.500	3.570												
RN5RT36A		3.528	3.600	3.672												
RN5RT37A		3.626	3.700	3.774												
RN5RT38A		3.724	3.800	3.876												
RN5RT39A		3.822	3.900	3.978												
RN5RT40A		3.920	4.000	4.080												
RN5RT41A		4.018	4.100	4.182	50	80	Vin-Vout =1.0V 1mA ≤ Iout ≤80mA	40	80	0.3	0.5	Vin-Vout =1.0V (expect Icel)	4.0	10		
RN5RT42A		4.116	4.200	4.284												
RN5RT43A		4.214	4.300	4.386												
RN5RT44A		4.312	4.400	4.488												
RN5RT45A		4.410	4.500	4.590												
RN5RT46A		4.508	4.600	4.692												
RN5RT47A		4.606	4.700	4.794												
RN5RT48A		4.704	4.800	4.896												
RN5RT49A		4.802	4.900	4.998												
RN5RT50A	4.900	5.000	5.100													
RN5RT51A	4.998	5.100	5.202	65	100	Vin-Vout =1.0V 1mA ≤ Iout ≤100mA	40	80	0.3	0.5	Vin-Vout =1.0V (expect Icel)	4.0	10			
RN5RT52A	5.096	5.200	5.304													
RN5RT53A	5.194	5.300	5.406													
RN5RT54A	5.292	5.400	5.508													
RN5RT55A	5.390	5.500	5.610													
RN5RT56A	5.488	5.600	5.712													
RN5RT57A	5.586	5.700	5.814													
RN5RT58A	5.684	5.800	5.916													
RN5RT59A	5.782	5.900	6.018													
RN5RT60A	5.880	6.000	6.120													

7744690 0003994 462





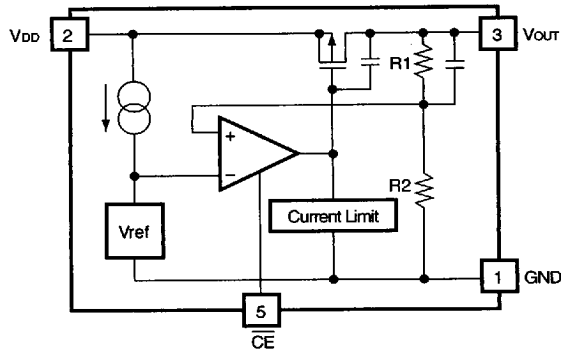
T<sub>opt</sub>=25°C

Supply Current (Standby)			Line Regulation			Input Voltage		Output Voltage Temperature Coefficient		Short Current Limit		CE Input Voltage		CE Input Current						
I <sub>standby</sub> (μA)			ΔV <sub>OUT</sub> /ΔV <sub>IN</sub> (%/V)			V <sub>IN</sub> (V)	ΔV <sub>OUT</sub> /ΔT (ppm/°C)		I <sub>lim</sub> (mA)	V <sub>CEH</sub> (V)	V <sub>CEL</sub> (V)	"H"			"L"					
Conditions	TYP.	MAX.	Conditions	TYP.	MAX.	MAX.	Conditions	TYP.	Conditions	TYP.	MIN.	MAX.	Conditions	TYP.	MAX.	Conditions	MIN.	TYP.	MAX.	
V <sub>IN</sub> -V <sub>OUT</sub> =1.0V	0.1	1.0	I <sub>OUT</sub> = 30mA V <sub>OUT</sub> = 0.5V ≤V <sub>IN</sub> ≤8V	0.15	0.3	8	I <sub>OUT</sub> = 10mA -40°C ±100 ≤T <sub>opt</sub> ≤85°C	V <sub>OUT</sub> =0V	30	1.5	0.25	V <sub>CE</sub> = V <sub>IN</sub>	0	0.1	V <sub>CE</sub> = 0V	-4.0	-2.0	-0.1		

7744690 0003995 3T9

**RICOH**

## OPERATION



In these ICs, Output Voltage  $V_{OUT}$  is detected by Feed-back Registers R1, R2, and the detected Output Voltage is compared with a reference voltage by Error Amplifier, so that a constant voltage is output.

A current limit circuit working for Short Protect and a chip enable circuit for standby function are included.

## TEST CIRCUITS

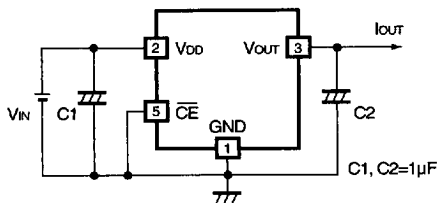


Fig.1 Standard Test Circuit

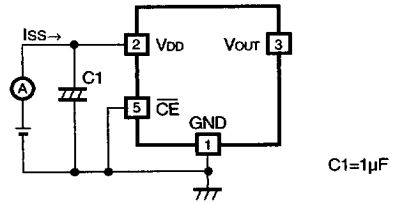


Fig.2 Supply Current Test Circuit

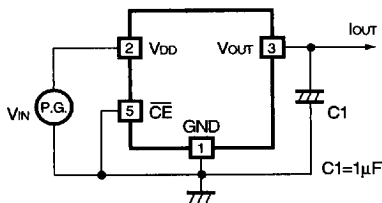


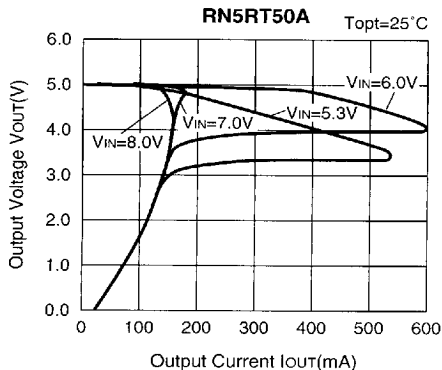
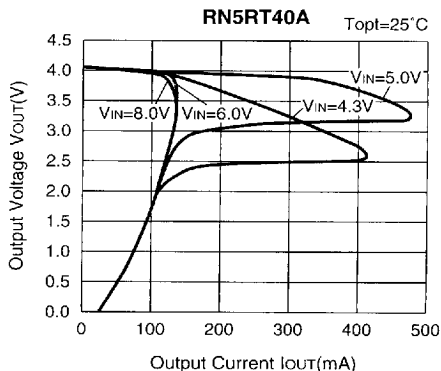
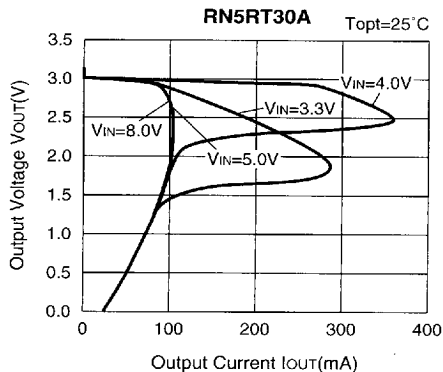
Fig.3 Line Transient Response Test Circuit

7744690 0003996 235

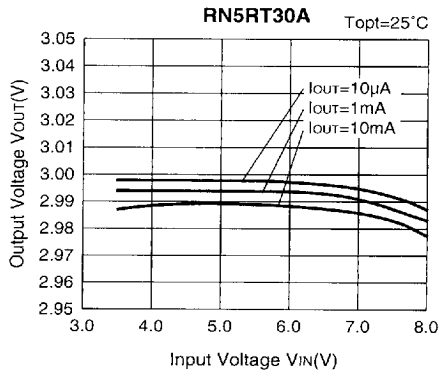
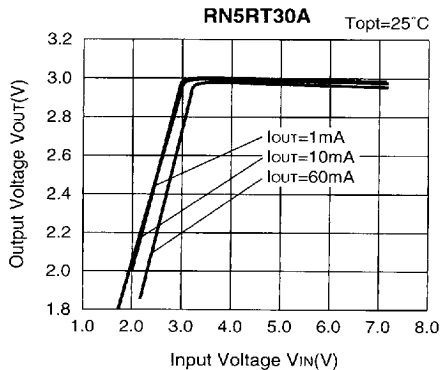
**RICOH**

# TYPICAL CHARACTERISTICS

## 1) Output Voltage vs. Output Current

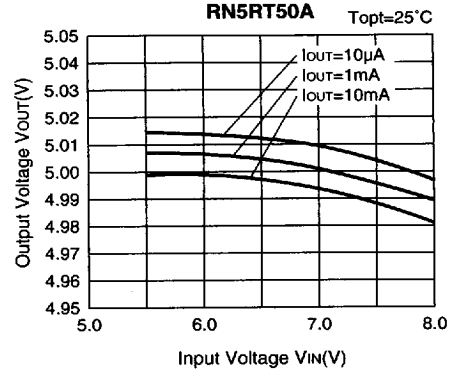
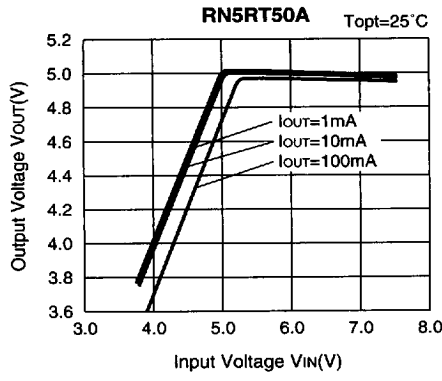
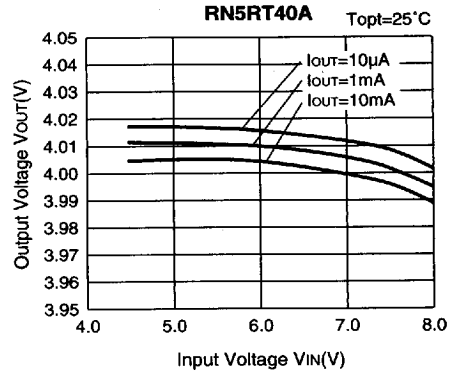
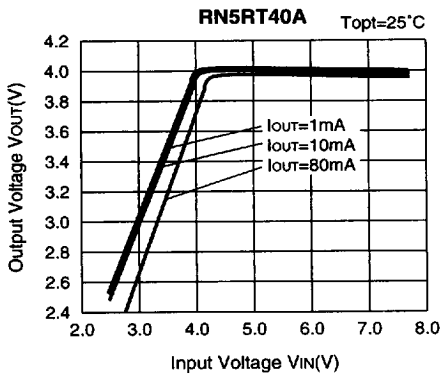


## 2) Output Voltage vs. Input Voltage

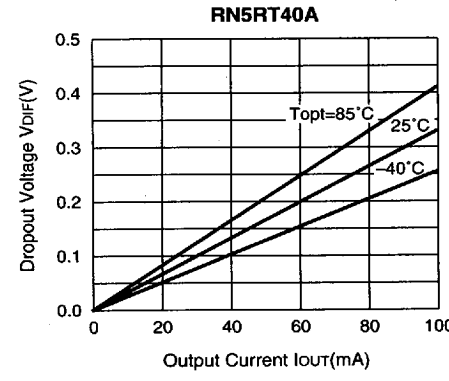
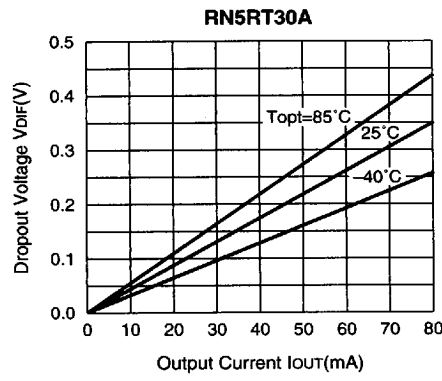


7744690 0003997 171

**RICOH**

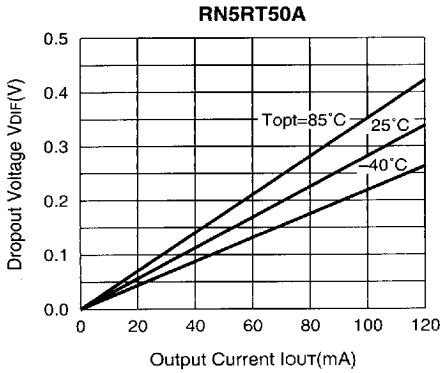


**3) Dropout Voltage vs. Output Current**

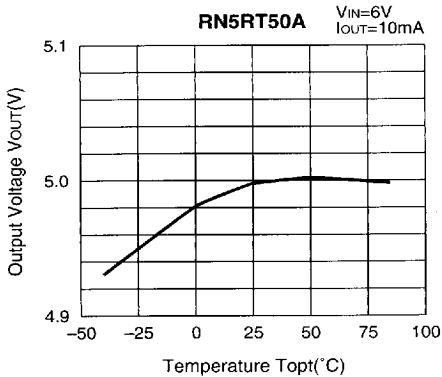
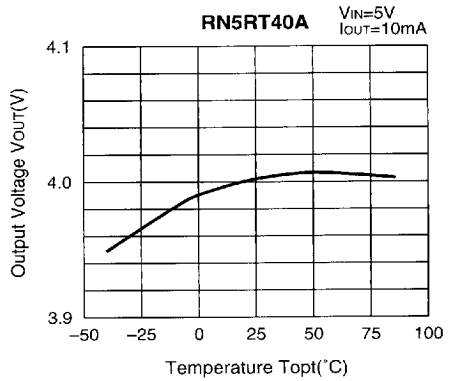
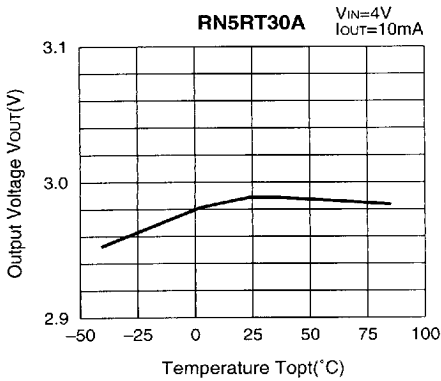


7744690 0003998 008





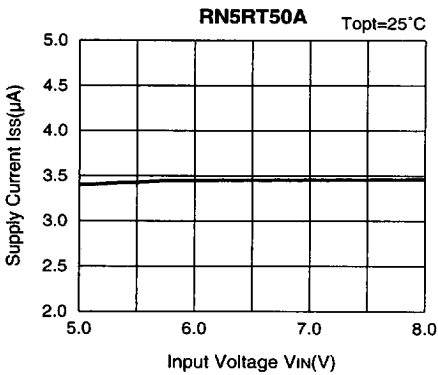
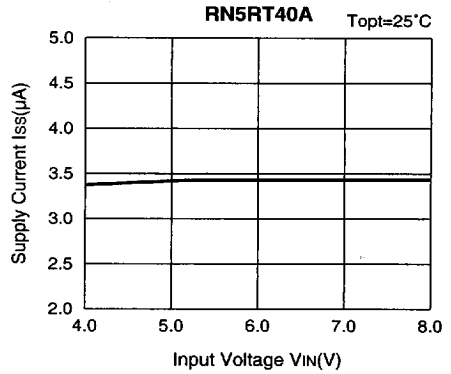
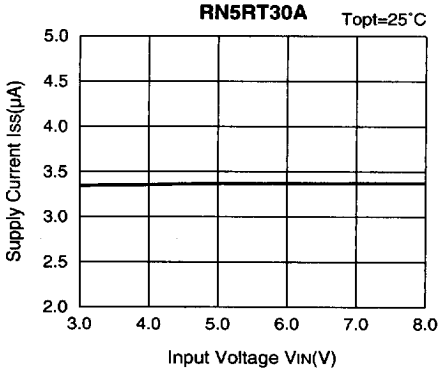
**4) Output Voltage vs. Temperature**



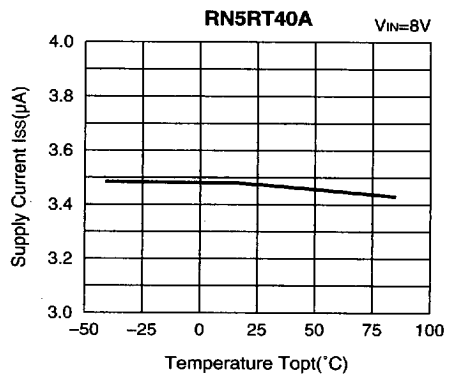
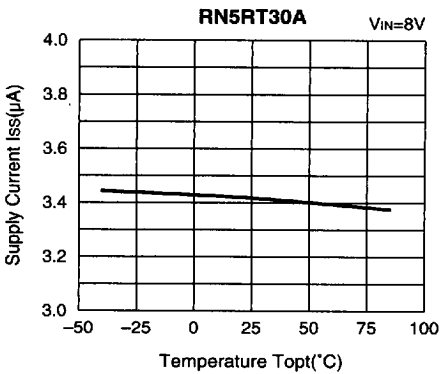
7744690 0003999 T44

**RICOH**

**5) Supply Current vs. Input Voltage**

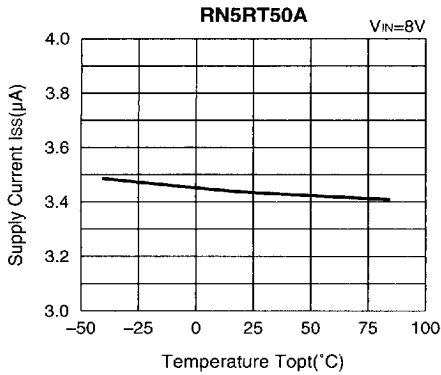


**6) Supply Current vs. Temperature**

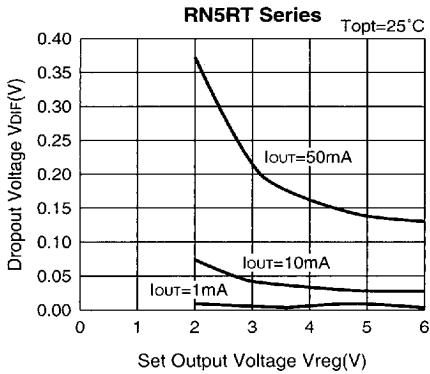


7744690 0004000 364

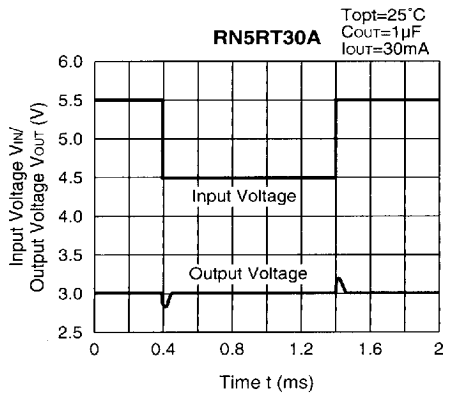
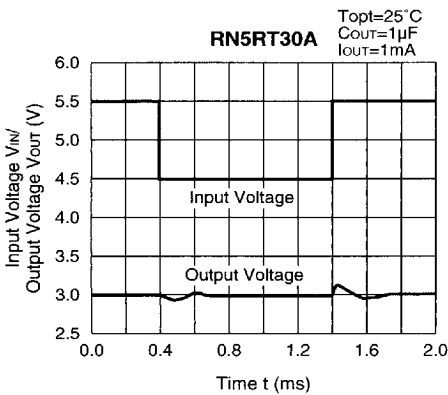
**RIGOH**



**7) Dropout Voltage vs. Set Output Voltage**



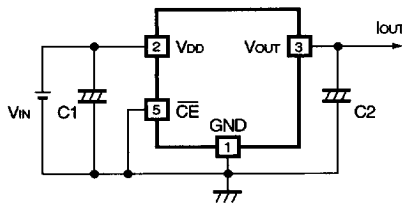
**8) Line Transient Response**



7744690 0004001 2T0



**TYPICAL APPLICATION**



In the RN5RT Series, a constant voltage can be obtained without using Capacitor C1 and C2. However, when the wire connected to VIN is long, use Capacitor C1. Transient noise of output voltage occurred due to load deviation can be reduced by using Capacitor C2.

Insert Capacitors C1 and C2 with the capacitance of 0.1μF to 2.0μF between Input/Output Pins and GND Pin with minimum wiring.

7744690 0004002 137

**RICOH**