

# AN1433SSM

## High accuracy, variable output, low voltage operation shunt regulator

### ■ Overview

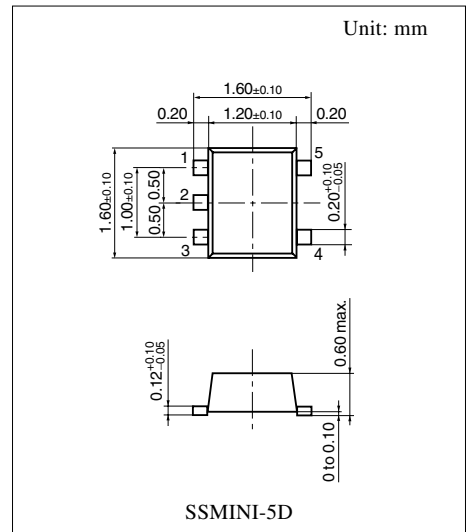
The AN1433SSM is a low voltage operation and highly accurate positive voltage variable output type shunt regulator IC. Since the output voltage is adjustable from approximately 1.25 V to 15 V, it is suitable for a power supply of small-sized 3 V-system portable equipment. Also, it contributes to the miniaturization of set equipment by the adoption of the small type surface mounting package.

### ■ Features

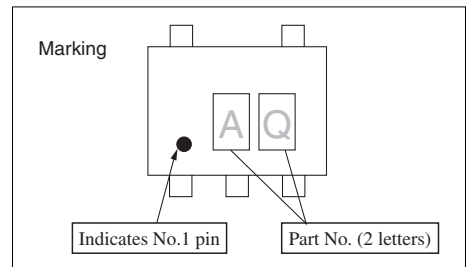
- Highly accurate reference voltage:  
1.25 V (allowance:  $\pm 1\%$ )
- Low voltage operation: 1.25 V to 14 V
- Small type surface mounting package

### ■ Applications

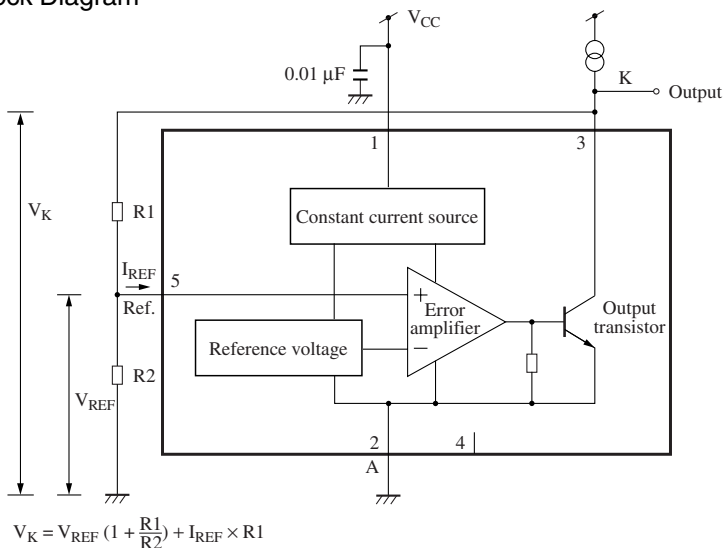
- Cellular phone, PHS, office automation equipment and other small-sized portable equipment



Note) The package of this product will be changed to lead-free type (SSMINI-5DA). See the new package dimensions section later of this datasheet.



### ■ Block Diagram



### ■ Pin Descriptions

| Pin No. | Description |   |
|---------|-------------|---|
| 1       | $V_{CC}$    | Power source current supply pin.  |
| 2       | Anode       | The reference voltage pin for the constant voltage of this shunt regulator IC. The current from $V_{CC}$ , cathode and reference flow out from this pin.  |
| 3       | K: Cathode  | The constant voltage output pin of this shunt regulator. The supplied current more than necessary to this pin is bypassed to anode pin by the output transistor.  |
| 4       | N.C.        | Nothing is connected to this pin. If high voltage is applied, the characteristics of the IC may be affected.  |
| 5       | Reference   | The reference voltage (1.25 V typical) pin. Although the impedance is high under the normal using conditions, be careful that the impedance drops and current flows into the IC inside if a current or voltage is forced to apply from the outside. |

### ■ Absolute Maximum Ratings

| Parameter                                   | Symbol    | Rating      | Unit    |
|---|-----------|-------------|---------|
| Cathode voltage                             | $V_K$     | 14.2        | V       |
| Reference voltage                           | $V_{REF}$ | 7           | V       |
| Supply current                              | $I_K$     | 1.5         | mA      |
| Reference current                           | $I_{REF}$ | 50          | $\mu$ A |
| Cathode-anode reverse current               | $-I_{KA}$ | -10         | mA      |
| Cathode-reference reverse current           | $-I_{KR}$ | -10         | mA      |
| Cathode current                             | $I_K$     | 20          | mA      |
| Power dissipation <sup>*2</sup>             | $P_D$     | 50          | mW      |
| Operating ambient temperature <sup>*1</sup> | $T_{opr}$ | -30 to +85  | °C      |
| Storage temperature <sup>*1</sup>           | $T_{stg}$ | -55 to +150 | °C      |

Note) 1. Do not apply external currents or voltages to any pins not specifically mentioned.

For circuit currents, '+' denotes current flowing into the IC and '-' denotes current flowing out of the IC.

2. <sup>\*1</sup>: Except for the power dissipation, operating ambient temperature and storage temperature, all ratings are for  $T_a = 25^\circ\text{C}$ .

<sup>\*2</sup>: The value at  $T_a = 85^\circ\text{C}$ .

### ■ Recommended Operating Range

| Parameter      | Symbol   | Range           | Unit |
|----------------|----------|-----------------|------|
| Supply voltage | $V_{CC}$ | $V_{REF}$ to 14 | V    |

■ Electrical Characteristics at  $V_{CC} = 1.8\text{ V}$ ,  $T_a = 25^\circ\text{C}$

| Parameter                                     | Symbol                                 | Conditions  | Min    | Typ   | Max    | Unit          |
|---|--|---|--------|-------|--------|---------------|
| Reference voltage                             | $V_{REF}$                              | $I_K = 10\text{ mA}$  | 1.2375 | 1.25  | 1.2625 | V             |
| Reference voltage supply voltage fluctuation  | $\frac{\Delta V_{REF}}{\Delta V_{CC}}$ | $1.7\text{ V} \leq V_{CC} \leq 14.0\text{ V}$ ,<br>$I_K = 10\text{ mA}$ | —      | -0.73 | -1.5   | mV/V          |
| Reference voltage cathode current fluctuation | $\frac{\Delta V_{REF}}{\Delta I_K}$    | $0.2\text{ mA} \leq I_K \leq 20\text{ mA}$                              | —      | 0.04  | 0.3    | mV/mA         |
| Reference input current                       | $I_{REF}$                              | $R_1 = 10\text{ k}\Omega$ , $I_K = 10\text{ mA}$                        | —      | 4.0   | 10     | $\mu\text{A}$ |
| Minimum cathode current                       | $I_{K\text{ min}}$                     | $V_K = V_{REF}$   | —      | —     | 0.2    | mA            |
| Off time total current                        | $I_{OFF}$                              | $V_K = 14.0\text{ V}$ , $V_{REF} = 0\text{ V}$                          | —      | —     | 1      | $\mu\text{A}$ |
| Cathode saturation voltage                    | $V_{K\text{ sat}}$                     | $I_K = 10\text{ mA}$ , $V_{REF} = 1.3\text{ V}$                         | —      | 0.08  | 0.15   | V             |
| Supply current                                | $I_{CC}$                               | $I_K = 10\text{ mA}$  | —      | 0.75  | 1.50   | mA            |

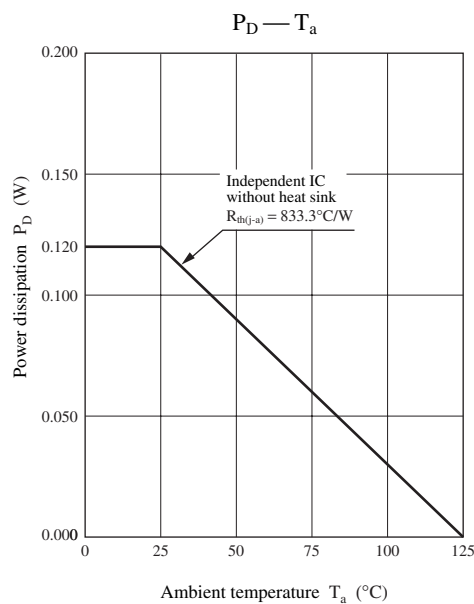
• Design reference data

Note) The characteristics listed below are theoretical values based on the IC design and are not guaranteed.

| Parameter                                       | Symbol                              | Conditions  | Reference value | Unit |
|---|-------------------------------------|---|-----------------|------|
| Reference voltage change with temperature       | $\frac{\Delta V_{REF}}{\Delta T_a}$ | $V_{KA} = V_{REF}$ , $I_{KA} = 10\text{ mA}$<br>$0^\circ\text{C} \leq T_a \leq +70^\circ\text{C}$     | 3               | mV   |
| Reference input current change with temperature | $\frac{\Delta I_{REF}}{\Delta T_a}$ | $R_1 = 10\text{ k}\Omega$ , $I_K = 10\text{ mA}$<br>$0^\circ\text{C} \leq T_a \leq +70^\circ\text{C}$ | 1.1             | mA   |

■ Application Notes

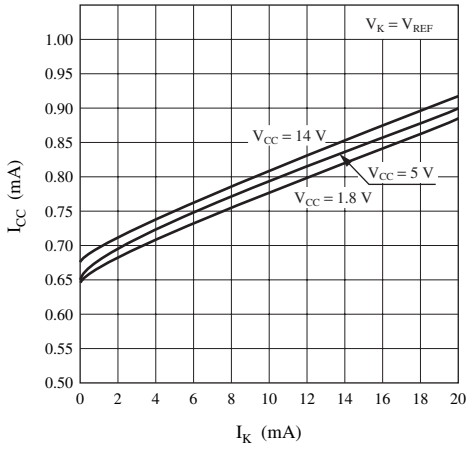
1.  $P_D - T_a$  curves of SSMINI-5D package



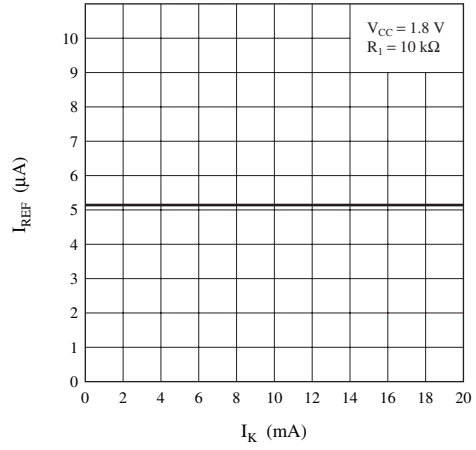
■ Application Notes (continued)

2. Main Characteristics

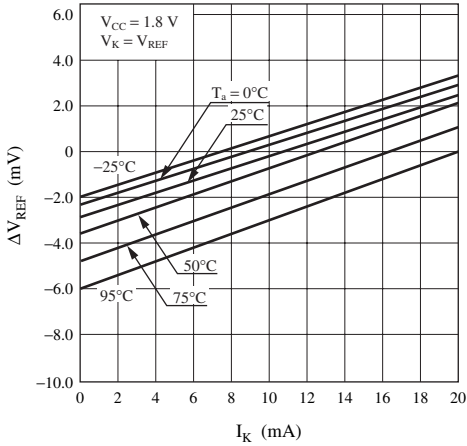
Supply current



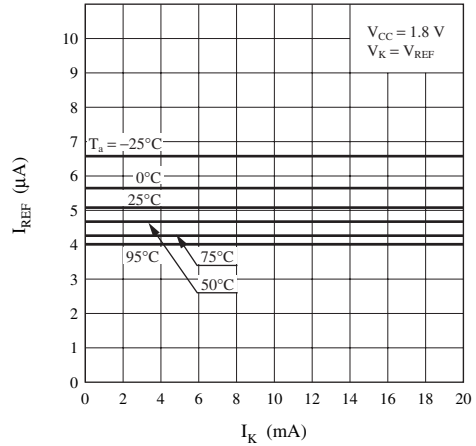
Reference input current



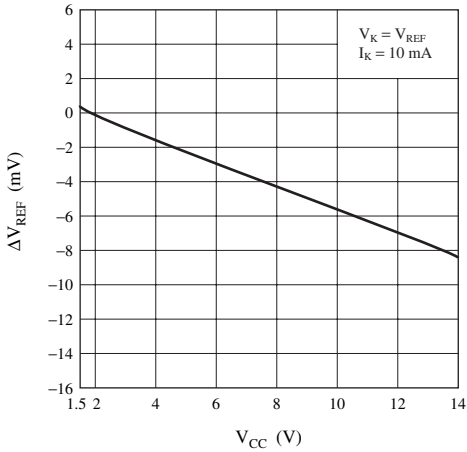
Reference voltage (temperature characteristics)



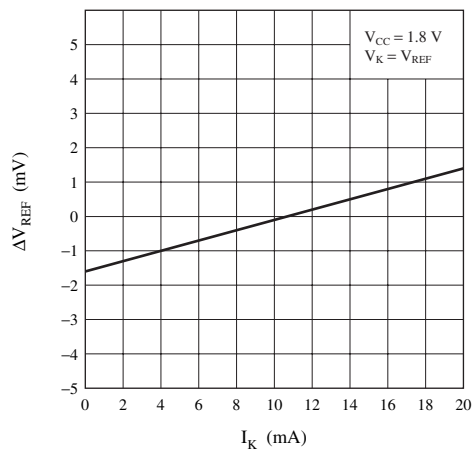
Reference current (temperature characteristics)



Reference voltage supply voltage fluctuation



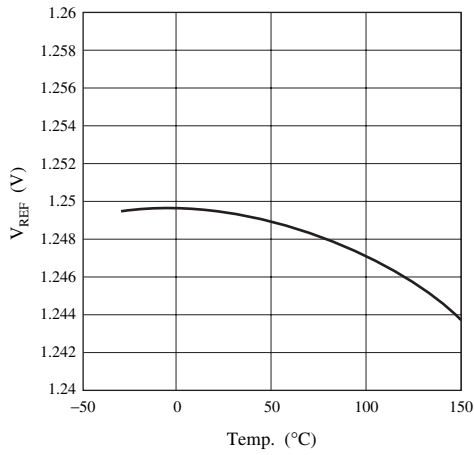
Reference voltage cathode current fluctuation



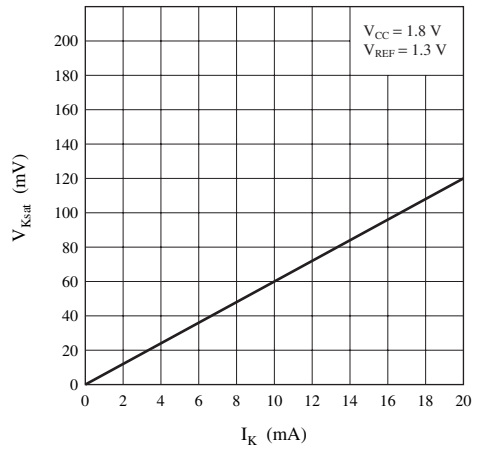
■ Application Notes (continued)

2. Main Characteristics (continued)

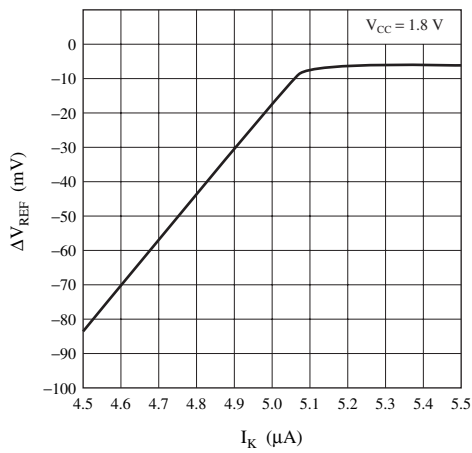
$V_{REF}$  temperature characteristic



Cathode saturation voltage



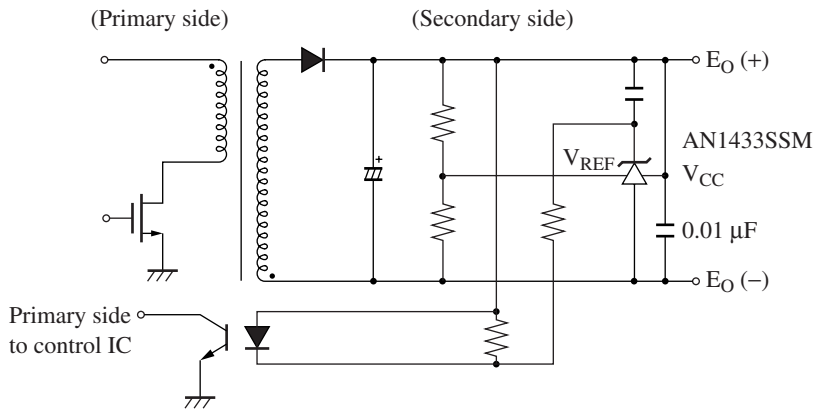
Minimum cathode current



■ Application Circuit Example

This circuit amplifies the error voltage of the secondary side output voltage in the insulation type switching power supply, then transfers it to the primary side via a photocoupler.

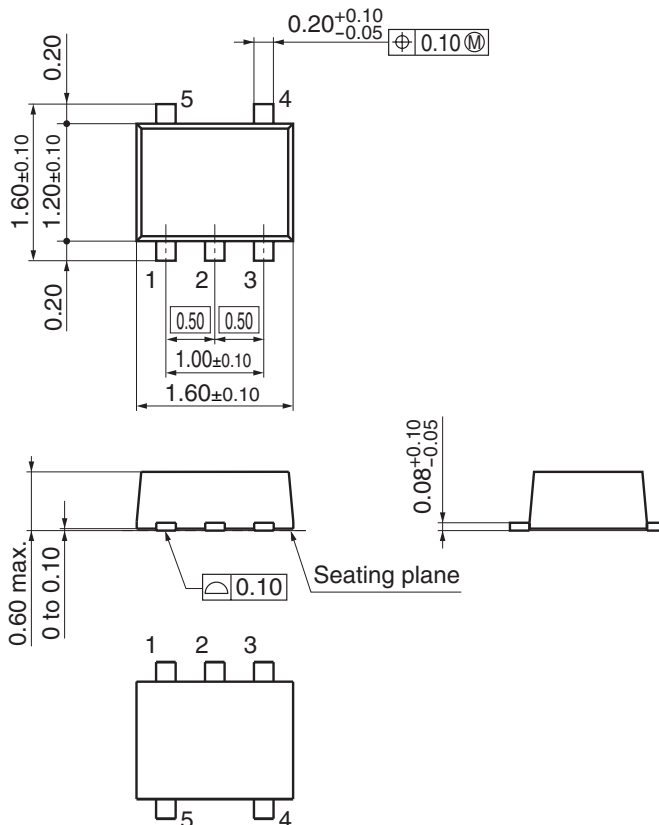
Replaceable with the conventional products (AN1431M, AN1431T, AN1432MS).



Note) As  $V_{CC}$  and cathode pin are separated,  $V_K$  can operate till  $0.15 V_{max}$  (at  $I_K = 10 \text{ mA}$ ) at least.

■ New Package Dimensions (Unit: mm)

- SSMINI-5DA (Lead-free package)



## Request for your special attention and precautions in using the technical information and semiconductors described in this material

- (1) An export permit needs to be obtained from the competent authorities of the Japanese Government if any of the products or technologies described in this material and controlled under the "Foreign Exchange and Foreign Trade Law" is to be exported or taken out of Japan.
- (2) The technical information described in this material is limited to showing representative characteristics and applied circuit examples of the products. It does not constitute the warranting of industrial property, the granting of relative rights, or the granting of any license.
- (3) The products described in this material are intended to be used for standard applications or general electronic equipment (such as office equipment, communications equipment, measuring instruments and household appliances).  
Consult our sales staff in advance for information on the following applications:
  - Special applications (such as for airplanes, aerospace, automobiles, traffic control equipment, combustion equipment, life support systems and safety devices) in which exceptional quality and reliability are required, or if the failure or malfunction of the products may directly jeopardize life or harm the human body.
  - Any applications other than the standard applications intended.
- (4) The products and product specifications described in this material are subject to change without notice for reasons of modification and/or improvement. At the final stage of your design, purchasing, or use of the products, therefore, ask for the most up-to-date Product Standards in advance to make sure that the latest specifications satisfy your requirements.
- (5) When designing your equipment, comply with the guaranteed values, in particular those of maximum rating, the range of operating power supply voltage and heat radiation characteristics. Otherwise, we will not be liable for any defect which may arise later in your equipment.  
Even when the products are used within the guaranteed values, redundant design is recommended, so that such equipment may not violate relevant laws or regulations because of the function of our products.
- (6) When using products for which dry packing is required, observe the conditions (including shelf life and after-unpacking standby time) agreed upon when specification sheets are individually exchanged.
- (7) No part of this material may be reprinted or reproduced by any means without written permission from our company.

## Please read the following notes before using the datasheets

- A. These materials are intended as a reference to assist customers with the selection of Panasonic semiconductor products best suited to their applications.  
Due to modification or other reasons, any information contained in this material, such as available product types, technical data, and so on, is subject to change without notice.  
Customers are advised to contact our semiconductor sales office and obtain the latest information before starting precise technical research and/or purchasing activities.
- B. Panasonic is endeavoring to continually improve the quality and reliability of these materials but there is always the possibility that further rectifications will be required in the future. Therefore, Panasonic will not assume any liability for any damages arising from any errors etc. that may appear in this material.
- C. These materials are solely intended for a customer's individual use.  
Therefore, without the prior written approval of Panasonic, any other use such as reproducing, selling, or distributing this material to a third party, via the Internet or in any other way, is prohibited.