

GD54/74HC58, GD54/74HCT58

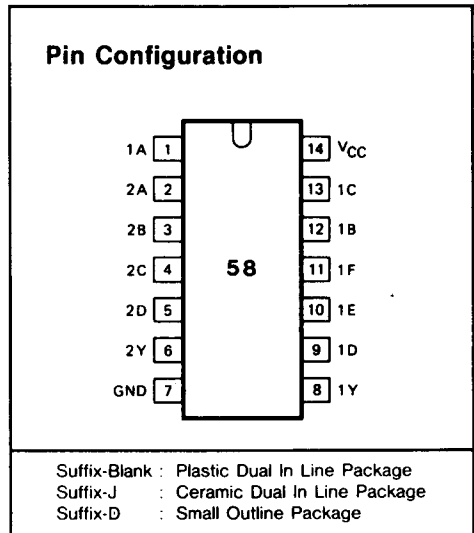
DUAL AND-OR GATES

General Description

These devices are identical in pinout to the 54/74LS58. They contain one 2-wide 2-input & one 2-wide 3-input AND-OR gates. These devices are characterized for operation over wide temperature ranges to meet industry and military specifications.

Features

- Low Power consumption characteristic of CMOS devices
- Output drive capability: 10 LS TTL Loads Min.
- Operating speed superior to LS TTL
- Wide operating voltage range: for HC 2 to 6 volts
for HCT 4.5 to 5.5 volts
- Low input current: 1μA Max.
- Low quiescent current: 20μA Max. (74HC)
- High noise immunity characteristic of CMOS
- Diode protection on all inputs.



Logic Symbol

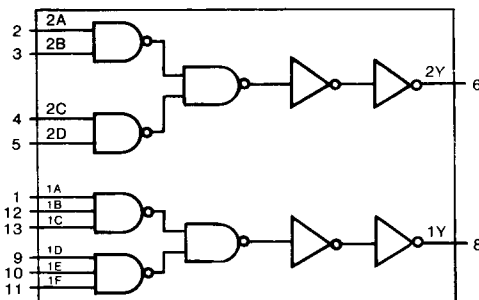


Fig. 1 Logic Symbol

Function Table

INPUTS		OUTPUT
N*	M*	nY
L	L	L
H	L	H
L	H	H
H	H	H

N* = 1A·1B·1C or 2A·2B
 M* = 1D·1E·1F or 2C·2D
 1Y = 1A·1B·1C + 1D·1E·1F
 2Y = 2A·2B + 2C·2D

Absolute Maximum Ratings

SYMBOL	PARAMETER	CONDITIONS	MIN.	MAX.	UNIT
V_{CC}	DC Supply voltage		-0.5	+7	V
I_{IK}, I_{OK}	DC input or output diode current	for $V_I < -0.5$ or $V_I > V_{CC} + 0.5V$		20	mA
I_O	DC output source or sink current	for $-0.5V < V_O < V_{CC} + 0.5V$		25	mA
I_{CC}	DC V_{CC} or GND current			50	mA
T_{stg}	Storage temperature range		-65	150	°C
P_D	Power dissipation per package	above +70°C: derate linearly with 8mW/K		500	mW
T_L	Lead temperature	At distance 1/16 ± 1/32 in. from case for 60 sec(CERAMIC) 10 sec(PLASTIC)		300 260	°C

Recommended Operating Conditions

CHARACTERISTIC	LIMITS		UNITS
	MIN.	MAX.	
Supply-Voltage Range V_{CC} : GD54/74HC Types GD54/74HCT Types	2 4.5	6 5.5	V
DC Input or Output Voltage V_I, V_O	0	V_{CC}	V
Operating Temperature T_A : GD74 Types GD54 Types	-40 -55	+85 +125	°C
Input Rise and Fall times t_r, t_f : GD54/74HC Types at 2V at 4.5V at 6V GD54/74HCT Types at 4.5V		1000 500 400 500	ns

DC Electrical Characteristics for HC

SYMBOL	PARAMETER	TEST CONDITION	V _{CC} (V)	T _A =25°C			GD74HC58		GD54HC58		UNIT
				MIN.	TYP.	MAX.	MIN.	MAX.	MIN.	MAX.	
V _{IH}	HIGH level input Voltage		2.0	1.5			1.5		1.5		V
			4.5	3.15		3.15		3.15			
			6.0	4.2		4.2		4.2			
V _{IL}	LOW level input voltage		2.0							0.3	V
			4.5			0.3		0.9		0.9	
			6.0			1.2		1.2		1.2	
V _{OH}	HIGH level output voltage	V _{IN} =V _{IH}	I _{OH} =-20μA	2.0	1.9	2.0		1.9		1.9	V
				4.5	4.4	4.5		4.4		4.4	
		6.0	5.9	6.0		5.9		5.9			
		or V _{IL}	I _{OH} =-4mA	4.5	3.98	4.3		3.84		3.7	
6.0	5.48			5.2		5.34		5.2			
V _{OL}	LOW level output voltage	V _{IN} =V _{IH}	I _{OL} =20μA	2.0			0.1		0.1		V
				4.5			0.1		0.1		
		6.0			0.1		0.1		0.1		
		or V _{IL}	I _{OL} =4mA	4.5		0.17	0.26		0.33		
6.0				0.15	0.26		0.33		0.4		
I _{IN}	Input leakage Current	V _{IN} =V _{CC} or GND	6.0			0.1		1.0		1.0	μA
I _{CC}	Quiescent Supply Current	V _{IN} =V _{CC} or GND I _{out} =0μA	6.0			2		20		40	μA

DC Electrical Characteristics for HCT

SYMBOL	PARAMETER	TEST CONDITION	V _{CC} (V)	T _A =25°C			GD74HCT58		GD54HCT58		UNIT
				MIN.	TYP.	MAX.	MIN.	MAX.	MIN.	MAX.	
V _{IH}	HIGH level input Voltage		4.5 to 5.5	2.0			2.0		2.0		V
V _{IL}	LOW level input voltage		4.5 to 5.5			0.8		0.8		0.8	V
V _{OH}	HIGH level output voltage	V _{IN} =V _{IH}	I _{OH} =-20μA	4.5	4.4	4.5		4.4		4.4	V
				4.5	3.98	4.3		3.84		3.7	
		or V _{IL}	I _{OH} =-4mA	4.5			3.84		3.7		
V _{OL}	LOW level output voltage	V _{IN} =V _{IH}	I _{OL} =20μA	4.5			0.1		0.1		V
				4.5			0.1		0.1		
		or V _{IL}	I _{OL} =4mA	4.5		0.17	0.26		0.33		
I _{IN}	Input leakage Current	V _{IN} =V _{CC} or GND	5.5			0.1		1.0		1.0	μA
I _{CC}	Quiescent Supply Current	V _{IN} =V _{CC} or GND I _{out} =0μA	5.5			2		20		40	μA

AC Characteristics for HC: $t_r=t_f=6\text{ns}$ $C_L=50\text{pF}$

SYMBOL	PARAMETER	V_{CC} (V)	$T_A=25^\circ\text{C}$			GD74HC58		GD54HC58		UNIT
			MIN.	TYP.	MAX.	MIN.	MAX.	MIN.	MAX.	
$t_{PLH}/$ t_{PHL}	Propagation delay time	2.0		54	125		158		186	ns
	Any Input to nY	4.5		13	25		32		37	
		6.0		11	21		27		32	
$t_{TLH}/$ t_{THL}	Output transition time	2.0		28	75		95		110	ns
		4.5		8	15		19		22	
		6.0		7	13		16		19	

AC Characteristics for HCT: $t_r=t_f=6\text{ns}$ $C_L=50\text{pF}$

SYMBOL	PARAMETER	V_{CC} (V)	$T_A=25^\circ\text{C}$			GD74HCT58		GD54HCT58		UNIT
			MIN.	TYP.	MAX.	MIN.	MAX.	MIN.	MAX.	
$t_{PLH}/$ t_{PHL}	Propagation delay time	4.5		17	29		36		41	ns
	Any Input to nY									
$t_{TLH}/$ t_{THL}	Output transition time	4.5		8	15		19		22	ns

AC Waveform

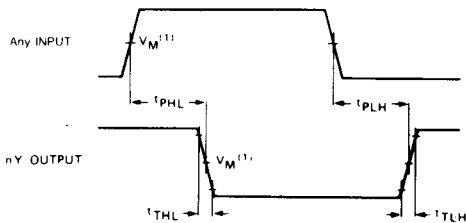


Fig. 2 Waveforms showing the (Any Input) to output (nY) propagation delays and the output transition times.

Note to AC waveform

- (1) HC : $V_M=50\%$, $V_i=GND$ to V_{CC}
- HCT: $V_M=1.3V$, $V_i=GND$ to $3V$.