
REALTEK SINGLE CHIP FAST ETHERNET CONTROLLER AND MC'97 CONTROLLER WITH POWER MANAGEMENT RTL8101L

1. Features:	3	5.22 Auto-negotiation Expansion Register.....	27
1.1 Ethernet Controller Features:.....	3	5.23 Disconnect Counter.....	27
1.2 MC'97 Controller Features:.....	3	5.24 False Carrier Sense Counter.....	27
2. General Description	4	5.25 NWay Test Register.....	27
3. Pin Assignment	5	5.26 RX_ER Counter.....	27
4. Pin Description	6	5.27 CS Configuration Register.....	28
4.1 Power Management/Isolation Interface.....	6	5.28 Config5: Configuration Register 5.....	28
4.2 PCI Interface.....	6	6. MC'97 Controller Register and Descriptor Descriptions	30
4.3 EEPROM Interface.....	7	6.1 The Starting Descriptor Index for LINE-Out.....	30
4.4 Power Pins.....	8	6.2 The Current Descriptor Index for LINE-Out.....	30
4.5 LED Interface.....	8	6.3 The Last Descriptor Index for LINE-Out.....	30
4.6 Attachment Unit Interface.....	8	6.4 LINE-Out DMA Status Register.....	31
4.7 AC-Link Pins.....	8	6.5 LINE-Out DMA Control Register.....	31
4.8 Test and Other Pins.....	10	6.6 Residual Samples Count in Current LINE-Out Descriptor Register.....	31
5. Ethernet Controller Register Descriptions	11	6.7 LINE-Out Descriptor Base Address Register.....	32
5.1 Receive Status Register in Rx packet header.....	13	6.8 The Starting Descriptor Index for LINE-In.....	32
5.2 Transmit Status Register (TSD0-3).....	13	6.9 The Current Descriptor Index for LINE-In.....	32
5.3 ERSR: Early Rx Status Register.....	14	6.10 The Last Descriptor Index for LINE-In.....	32
5.4 Command Register.....	14	6.11 LINE-In DMA Status Register.....	32
5.5 Interrupt Mask Register.....	15	6.12 LINE-In DMA Control Register.....	32
5.6 Interrupt Status Register.....	15	6.13 Residual Samples Count in Current LINE-In Descriptor Register.....	33
5.7 Transmit Configuration Register.....	16	6.14 Line-In Descriptor Base Address Register.....	33
5.8 Receive Configuration Register.....	17	6.15 MC'97-Link Control Register.....	34
5.9 9346CR: 93C46 Command Register.....	20	6.16 MC'97-Link Status and Index Register.....	34
5.10 CONFIG 0: Configuration Register 0.....	20	6.17 AC-Link Data Port.....	35
5.11 CONFIG 1: Configuration Register 1.....	20	6.18 GPIO Control to MC'97.....	35
5.12 Media Status Register.....	21	6.19 Real Time GPIO Input Data From MC'97.....	36
5.13 CONFIG 3: Configuration Register3.....	22	6.20 Interrupt Status Register.....	36
5.14 CONFIG 4: Configuration Register4.....	23	6.21 PCI GPIO Setup Register.....	37
5.15 Multiple Interrupt Select Register.....	24	6.22 PCI GPIO Status Register.....	39
5.16 PCI Revision ID.....	24	6.23 Context For Line-Out Descriptor.....	39
5.17 Transmit Status of All Descriptors (TSAD) Register.....	24	6.24 Context For Line-In Descriptor.....	40
5.18 Basic Mode Control Register.....	24	6.25 Descriptor Definition.....	40
5.19 Basic Mode Status Register.....	25	7. EEPROM (93C46) Contents	42
5.20 Auto-negotiation Advertisement Register.....	25	7.1 Summary of RTL8101L's EEPROM registers.....	44
5.21 Auto-Negotiation Link Partner Ability Register.....	26	7.2 Summary of EEPROM Power Management registers.....	44
		8. PCI Configuration Space Registers	45

8.1 PCI Configuration Space Table	45	10.10 Rx Decapsulation.....	56
8.2 PCI Configuration Space functions.....	46	10.11 Flow Control.....	56
8.3 The Default Value after Power-on	50	10.11.1 Control Frame Transmission.....	56
8.4 PCI Power Management functions.....	51	10.11.2 Control Frame Reception.....	56
8.5 VPD (Vital Product Data).....	53	10.12 LED Functions.....	57
9. Block Diagram	54	10.12.1 10/100 Mbps Link Monitor.....	57
10. Functional Description	55	10.12.2 LED_RX.....	57
10.1 Transmit operation.....	55	10.12.3 LED_TX.....	58
10.2 Receive operation	55	10.12.4 LED_TX+LED_RX.....	58
10.3 Wander Compensation.....	55	11. Application Diagram.....	59
10.4 Signal Detect.....	55	12. Electrical Characteristics.....	60
10.5 Line Quality Monitor.....	55	12.1 Temperature Limit Ratings:.....	60
10.6 Clock Recovery Module.....	55	12.2 DC Characteristics:.....	60
10.7 Loopback Operation	55	12.3 AC Characteristics	61
10.8 Tx Encapsulation	56	12.3.1 PCI Bus Operation Timing:	61
10.9 Collision.....	56	13. Dimensions	67

1. Features:

1.1 Ethernet Controller Features:

- 100 pin LQFP
- Integrated Fast Ethernet MAC, Physical chip and transceiver in one chip
- 10 Mb/s and 100 Mb/s operation
- Supports 10 Mb/s and 100 Mb/s N-way Auto-negotiation operation
- PCI local bus single-chip Fast Ethernet controller
 - ◇ Compliant to PCI Revision 2.2
 - ◇ Supports PCI clock 16.75MHz-40MHz
 - ◇ Supports PCI target fast back-to-back transaction
 - ◇ Provides PCI bus master data transfers and PCI memory space or I/O space mapped data transfers of RTL8101L's operational registers
 - ◇ Supports PCI VPD (Vital Product Data)
 - ◇ Supports ACPI, PCI power management
- Supports 25MHz crystal or 25MHz OSC as the internal clock source. The frequency deviation of either crystal or OSC must be within 50 PPM.
- Compliant to PC99/PC2001 standard
- Supports Wake-On-LAN function and remote wake-up (Magic Packet*, LinkChg and Microsoft® wake-up frame)
- Supports 4 Wake-On-LAN (WOL) signals (active high, active low, positive pulse, and negative pulse)
- Supports auxiliary power-on internal reset, for remote wake-up when main power remains off
- Supports auxiliary power auto-detect, and sets the related capability of power management registers in PCI configuration space
- Includes a programmable PCI burst size and early Tx/Rx threshold
- Supports a 32-bit general-purpose timer with the external PCI clock as clock source to generate timer-interrupt
- Contains two large (2Kbyte) independent receive and transmit FIFOs
- Advanced power saving mode when LAN function or wakeup function is not used
- Uses 93C46 (64*16-bit EEPROM) to store resource configuration, ID parameter, and VPD data
- Supports LED pins for various network activity indications
- Supports loopback capability
- Half/Full duplex capability
- Supports Full Duplex Flow Control (IEEE 802.3x)
- 3.3V power supply, 3.3V and 5V I/O tolerance
- Interface for 128K byte (max) Boot ROM for both EEPROM and Flash Memory.

1.2 MC'97 Controller Features:

- MC'97 compatible digital controller chip
- PCI local bus single-chip Fast Ethernet controller
- 32-bit PCI bus master and PCI v 2.2 compliant
- PCI Bus Power Management Interface Specification v 1.1 compliant
- High performance bus master DMA for data transfer
- AC'97 v 2.2 compliant
- Supports 16-bit modem line (LINE1)
- Full-duplex operation for simultaneous LINE1 transactions
- Low latency GPIO updated
- 8 double-WORD (16 samples) FIFO depth for each bus master of LINE1-OUT/IN
- 3.3V power supply, 3.3V and 5V I/O tolerance

2. General Description

The Realtek RTL8101L is a highly integrated and cost-effective single-chip Fast Ethernet controller that provides 32-bit performance, PCI bus master capability, and full compliance with IEEE 802.3u 100Base-TX specifications and IEEE 802.3x Full Duplex Flow Control. It also supports the Advanced Configuration Power management Interface (ACPI), PCI power management for modern operating systems that are capable of Operating System Directed Power Management (OSPM) to achieve the most efficient power management possible. The RTL8101L no longer supports CardBus mode as RTL8139C does.

In addition to the ACPI feature, the RTL8101L also supports remote wake-up (including AMD Magic Packet, LinkChg, and Microsoft® wake-up frame) in both ACPI and APM environments. The RTL8101L is capable of performing an internal reset through the application of auxiliary power. When auxiliary power is applied and the main power remains off, the RTL8101L is ready and waiting for the Magic Packet or Link Change to wake the system up. Also, the LWAKE pin provides 4 different output signals including active high, active low, positive pulse, and negative pulse. The versatility of the RTL8101L LWAKE pin provides motherboards with Wake-On-LAN (WOL) functionality.

The RTL8101L also supports Analog Auto-Power-down, that is, the analog part of the RTL8101L can be shut down temporarily according to user requirements or when the RTL8101L is in a power down state with the wakeup function disabled. In addition, when the analog part is shut down and the IsolateB pin is low (i.e. the main power is off), then both the analog and digital parts stop functioning and the power consumption of the RTL8101L will be negligible. The RTL8101L also supports an auxiliary power auto-detect function, and will auto-configure related bits of their own PCI power management registers in PCI configuration space.

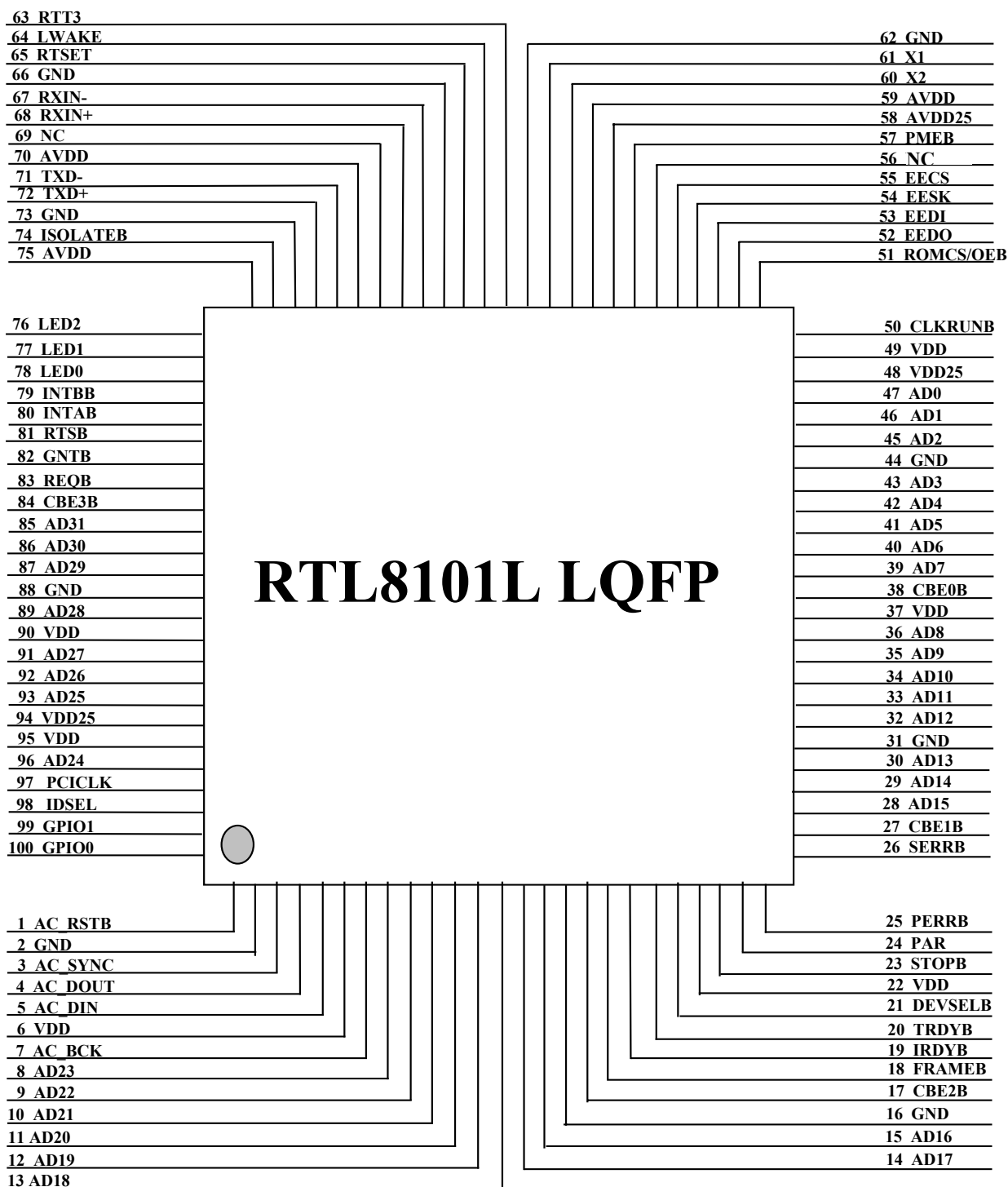
PCI Vital Product Data (VPD) is also supported to provide the information that uniquely identifies hardware (i.e., the OEM brand name of RTL8101L LAN card). The information may consist of part number, serial number, and other detailed information.

To provide cost down support, the RTL8101L is capable of using a 25MHz crystal or OSC as its internal clock source.

The RTL8101L keeps network maintenance costs low and eliminates usage barriers. It is the easiest way to upgrade a network from 10 to 100Mbps. It also supports full-duplex operation, making 200Mbps bandwidth possible at no additional cost. To improve compatibility with other brands' products, the RTL8101L is also capable of receiving packets with InterFrameGap no less than 40 Bit-Time. The RTL8101L is highly integrated and requires no "glue" logic or external memory.

The RTL8101L includes a PCI and Expansion Memory Share Interface (Realtek patent) for a boot ROM and can be used in diskless workstations, providing maximum network security and ease of management.

3. Pin Assignment



4. Pin Description

Note that some pins have multiple functions. Refer to the Pin Assignment diagram for a graphical representation.

4.1 Power Management/Isolation Interface

Symbol	Type	Pin No	Description
PMEB (PME#)	O/D	57	Power management event: Open drain, active low. Used by the RTL8101L to request a change in its current power management state and/or to indicate that a power management event has occurred.
ISOLATEB (ISOLATE#)	I	74	Isolate pin: Active low. Used to isolate the RTL8101L from the PCI bus. The RTL8101L does not drive its PCI outputs (excluding PME#) and does not sample its PCI input (including RST# and PCICLK) as long as the Isolate pin is asserted.
LWAKE	O	64	LAN WAKE-UP signal: This signal is used to inform the motherboard to execute the wake-up process. The motherboard must support Wake-On-LAN (WOL). There are 4 choices of output, including active high, active low, positive pulse, and negative pulse, that may be asserted from the LWAKE pin. Please refer to the LWACT bit in the CONFIG1 register and the LWPTN bit in the CONFIG4 register for the setting of this output signal. The default output is an active high signal. Once a PME event is received, the LWAKE and PME# assert at the same time when the LWPME (bit4, CONFIG4) is set to 0. If the LWPME is set to 1, the LWAKE asserts only when the PME# asserts and the ISOLATEB is low. This pin is a 3.3V signaling output pin.

4.2 PCI Interface

Symbol	Type	Pin No	Description
AD31-0	T/S	85-87, 89, 91-93, 96, 8-15, 28-30, 32-36, 39-43, 45-47	PCI address and data multiplexed pins. AD31-24 are shared with BootROM data pins, while AD16-0 are shared with BootROM address pins.
C/BE3-0	T/S	84, 17, 27, 38	PCI bus command and byte enables multiplexed pins.
CLK	I	97	Clock: This PCI Bus clock provides timing for all transactions and bus phases, and is input to PCI devices. The rising edge defines the start of each phase. The clock frequency ranges from 0 to 33MHz.
DEVSELB	S/T/S	21	Device select: As a bus master, the RTL8101L samples this signal to insure that a PCI target recognizes the destination address for the data transfer. As a target, the RTL8101L asserts this signal low when it recognizes its target address after FRAMEB is asserted.
FRAMEB	S/T/S	18	Cycle frame: As a bus master, this pin indicates the beginning and duration of an access. FRAMEB is asserted low to indicate the start of a bus transaction. While FRAMEB is asserted, data transfer continues. When FRAMEB is deasserted, the transaction is in the final data phase. As a target, the device monitors this signal before decoding the address to check if the current transaction is addressed to it.
GNTB	I	82	Grant: This signal is asserted low to indicate to the RTL8101L that the central arbiter has granted ownership of the bus to the RTL8101L. This input is used when the RTL8101L is acting as a bus master.
REQB	T/S	83	Request: The RTL8101L will assert this signal low to request the ownership of the bus from the central arbiter.

IDSEL	I	98	Initialization device select: This pin allows the RTL8101L to identify when configuration read/write transactions are intended for it.
INTAB	O/D	80	INTAB: Used to request an interrupt. It is asserted low when an interrupt condition occurs, as defined by the Interrupt Status, Interrupt Mask and Interrupt Enable registers.
IRDYB	S/T/S	19	Initiator ready: This indicates the initiating agent's ability to complete the current data phase of the transaction. As a bus master, this signal will be asserted low when the RTL8101L is ready to complete the current data phase transaction. This signal is used in conjunction with the TRDYB signal. Data transaction takes place at the rising edge of CLK when both IRDYB and TRDYB are asserted low. As a target, this signal indicates that the master has put data on the bus.
TRDYB	S/T/S	20	Target ready: This indicates the target agent's ability to complete the current phase of the transaction. As a bus master, this signal indicates that the target is ready for the data during write operations and with the data during read operations. As a target, this signal will be asserted low when the (slave) device is ready to complete the current data phase transaction. This signal is used in conjunction with the IRDYB signal. Data transaction takes place at the rising edge of CLK when both IRDYB and TRDYB are asserted low.
PAR	T/S	24	Parity: This signal indicates even parity across AD31-0 and C/BE3-0 including the PAR pin. As a master, PAR is asserted during address and write data phases. As a target, PAR is asserted during read data phases.
PERRB	S/T/S	25	Parity error: When the RTL8101L is the bus master and a parity error is detected, the RTL8101L asserts both SERR bit in ISR and Configuration Space command bit 8 (SERRB enable). Next, it completes the current data burst transaction, then stops operation and resets itself. After the host clears the system error, the RTL8101L continues its operation. When the RTL8101L is the bus target and a parity error is detected, the RTL8101L asserts this PERRB pin low.
SERRB	O/D	26	System error: If an address parity error is detected and Configuration Space Status register bit 15 (detected parity error) is enabled, RTL8101L asserts both SERRB pin low and bit 14 of Status register in Configuration Space.
STOPB	S/T/S	23	Stop: Indicates the current target is requesting the master to stop the current transaction.
RSTB	I	81	Reset: When RSTB is asserted low, the RTL8101L performs internal system hardware reset. RSTB must be held for a minimum of 120 ns.

4.3 EEPROM Interface

Symbol	Type	Pin No	Description
AUX/EEDI	I/O	53	1. Aux. Power Detect: This pin is used to notify the RTL8101L of the existence of Aux. power during initial power-on or a PCI reset. This pin should be pulled high to the Aux. power via a resistor to detect the Aux. power. Doing so, will enable wakeup support from ACPI D3 cold or APM power-down. If this pin is not pulled high, the RTL8101L assumes that no Aux. power exists. 2. The MA2-0 pins are switched to EESK, EEDI, EEDO in 93C46 programming or auto-load mode.
EESK	O	54	
EEDO	O, I	52	

EECS	O	55	EEPROM chip select
------	---	----	--------------------

4.4 Power Pins

Symbol	Type	Pin No	Description
VDD	P	6, 22, 37, 49, 90, 95	+3.3V (Digital)
AVDD	P	59, 70, 75	+3.3V (Analog)
VDD25	P	48, 94	+2.5V (Digital)
AVDD25	P	58	+2.5V (Analog)
DGND	P	2, 16, 31, 44, 88	Digital Ground
AGND	p	62, 66, 73	Analog Ground

4.5 LED Interface

Symbol	Type	Pin No	Description																				
LED0, 1, 2	O	78, 77, 76	<p>LED pins</p> <table border="1"> <thead> <tr> <th>LEDS1-0</th> <th>00</th> <th>01</th> <th>10</th> <th>11</th> </tr> </thead> <tbody> <tr> <td>LED0</td> <td>TX/RX</td> <td>TX/RX</td> <td>TX</td> <td>Link10/ ACT</td> </tr> <tr> <td>LED1</td> <td>LINK100</td> <td>LINK10/100</td> <td>LINK10/100</td> <td>Link100/ ACT</td> </tr> <tr> <td>LED2</td> <td>LINK10</td> <td>FULL</td> <td>RX</td> <td>Full</td> </tr> </tbody> </table> <p>During power down mode, the LEDs are OFF.</p> <p>If LED1 is pulled low by a 10K resistor, the RT8101L runs in modem-only mode and a 93C46 is not necessary.</p>	LEDS1-0	00	01	10	11	LED0	TX/RX	TX/RX	TX	Link10/ ACT	LED1	LINK100	LINK10/100	LINK10/100	Link100/ ACT	LED2	LINK10	FULL	RX	Full
LEDS1-0	00	01	10	11																			
LED0	TX/RX	TX/RX	TX	Link10/ ACT																			
LED1	LINK100	LINK10/100	LINK10/100	Link100/ ACT																			
LED2	LINK10	FULL	RX	Full																			

4.6 Attachment Unit Interface

Symbol	Type	Pin No	Description
TXD+	O	72	100/10BASE-T transmit (Tx) data
TXD-	O	71	
RXIN+	I	68	100/10BASE-T receive (Rx) data
RXIN-	I	67	
X1	I	61	25 MHz crystal/OSC input
X2	O	60	Crystal feedback output: This output is used in crystal connection only. It must be left open when X1 is driven with an external 25 MHz oscillator.

4.7 AC-Link Pins

Symbol	Type	Pin No	Description
AC_RSTB	O	1	MC'97 Reset: Hardware reset to Codec.
AC_SYNC	O	3	MC'97 SYNC: 48Khz fixed rate sample sync to Codec.
AC_DOUT	O	4	MC'97 Serial Data Out: Serial data output to Codec.
AC_DIN	I	5	MC'97 Serial Data In: Serial data input from Codec.
AC_BCK	I	7	MC'97 Bit Clock: 12.288Mhz serial data clock generated by Codec.
INTBB	O/D	79	INTBB is used for function 1 device (Modem) to request an interrupt.
GPIO0	I/O	100	General Purpose I/O pins: Both can be programmed as input or output by bit0-1 of PCI GPIO Setup Register.
GPIO1	I/O	99	

4.8 Test and Other Pins

Symbol	Type	Pin No	Description
RTT3	TEST	63	Chip test pin.
RTSET	I/O	65	This pin must be pulled low by a resistor. Please refer to the application circuit for the correct value.
CLKRUNB	I/O	50	Clock run: This signal is used by the RTL8101L to request starting (or speeding up) the clock, CLK. CLKRUNB also indicates the clock status. For the RTL8101L, CLKRUNB is an open drain output as well as an input. The RTL8101L requests the central resource to start, speed up, or maintain the interface clock by the assertion of CLKRUNB. For the host system, it is an S/T/S signal. The host system (central resource) is responsible for maintaining CLKRUNB asserted, and for driving it high to the negated (deasserted) state.
ROMCS/OEB	O	51	ROM Chip select and output enable: This is the chip select signal and output enable of the Boot PROM.
NC	-	56, 69	Reserved

5. Ethernet Controller Register Descriptions

The RTL8101L provides the following set of operational registers mapped into PCI memory space or I/O space.

Ethernet Registers			
Offset	R/W	Tag	Description
0000h	R/W	IDR0	ID Register 0: ID registers 0-5 are only permitted to read/write by 4-byte access. Read access can be byte, word, or double word access. The initial value is autoloading from EEPROM EthernetID field.
0001h	R/W	IDR1	ID Register 1
0002h	R/W	IDR2	ID Register 2
0003h	R/W	IDR3	ID Register 3
0004h	R/W	IDR4	ID Register 4
0005h	R/W	IDR5	ID Register 5
0006h-0007h	-	-	Reserved
0008h	R/W	MAR0	Multicast Register 0: The MAR register0-7 are only permitted to read/write by 4-byte access. Read access can be byte, word, or double word access. Driver is responsible for initializing these registers.
0009h	R/W	MAR1	Multicast Register 1
000Ah	R/W	MAR2	Multicast Register 2
000Bh	R/W	MAR3	Multicast Register 3
000Ch	R/W	MAR4	Multicast Register 4
000Dh	R/W	MAR5	Multicast Register 5
000Eh	R/W	MAR6	Multicast Register 6
000Fh	R/W	MAR7	Multicast Register 7
0010h-0013h	R/W	TSD0	Transmit Status of Descriptor 0
0014h-0017h	R/W	TSD1	Transmit Status of Descriptor 1
0018h-001Bh	R/W	TSD2	Transmit Status of Descriptor 2
001Ch-001Fh	R/W	TSD3	Transmit Status of Descriptor 3
0020h-0023h	R/W	TSAD0	Transmit Start Address of Descriptor 0
0024h-0027h	R/W	TSAD1	Transmit Start Address of Descriptor 1
0028h-002Bh	R/W	TSAD2	Transmit Start Address of Descriptor 2
002Ch-002Fh	R/W	TSAD3	Transmit Start Address of Descriptor 3
0030h-0033h	R/W	RBSTART	Receive (Rx) Buffer Start Address
0034h-0035h	R	ERBCR	Early Receive (Rx) Byte Count Register
0036h	R	ERSR	Early Rx Status Register
0037h	R/W	CR	Command Register
0038h-0039h	R/W	CAPR	Current Address of Packet Read
003Ah-003Bh	R	CBR	Current Buffer Address: The initial value is 0000h. It reflects total received byte-count in the Rx buffer.
003Ch-003Dh	R/W	IMR	Interrupt Mask Register
003Eh-003Fh	R/W	ISR	Interrupt Status Register
0040h-0043h	R/W	TCR	Transmit (Tx) Configuration Register
0044h-0047h	R/W	RCR	Receive (Rx) Configuration Register
0048h-004Bh	R/W	TCTR	Timer Count Register: This register contains a 32-bit general-purpose timer. Writing any value to this 32-bit register will reset the original timer and begin to count from zero.
004Ch-004Fh	R/W	MPC	Missed Packet Counter: Indicates the number of packets discarded due to Rx FIFO overflow. It is a 24-bit counter. After s/w reset, MPC is cleared. Only the lower 3 bytes are valid. When written any value, MPC will be reset also.
0050h	R/W	9346CR	93C46 Command Register

0051h	R/W	CONFIG0	Configuration Register 0
0052h	R/W	CONFIG1	Configuration Register 1
0053H	-	-	Reserved
0054h-0057h	R /W	TimerInt	Timer Interrupt Register: Once having written a nonzero value to this register, the Timeout bit of the ISR register will be set whenever the TCTR reaches to this value. The Timeout bit will never be set as long as the TimerInt register is zero.
0058h	R/W	MSR	Media Status Register
0059h	R/W	CONFIG3	Configuration register 3
005Ah	R/W	CONFIG4	Configuration register 4
005Bh	-	-	Reserved
005Ch-005Dh	R/W	MULINT	Multiple Interrupt Select
005Eh	R	RERID	PCI Revision ID = 10h.
005Fh	-	-	Reserved.
0060h-0061h	R	TSAD	Transmit Status of All Descriptors
0062h-0063h	R/W	BMCR	Basic Mode Control Register
0064h-0065h	R	BMSR	Basic Mode Status Register
0066h-0067h	R/W	ANAR	Auto-Negotiation Advertisement Register
0068h-0069h	R	ANLPAR	Auto-Negotiation Link Partner Register
006Ah-006Bh	R	ANER	Auto-Negotiation Expansion Register
006Ch-006Dh	R	DIS	Disconnect Counter
006Eh-006Fh	R	FCSC	False Carrier Sense Counter
0070h-0071h	R/W	NWAYTR	N-way Test Register
0072h-0073h	R	REC	RX_ER Counter
0074h-0075h	R/W	CSCR	CS Configuration Register
0076-0077h	-	-	Reserved.
0078h-007Bh	R/W	PHY1_PARM	PHY parameter 1
007Ch-007Fh	R/W	TW_PARM	Twister parameter
0080h	R/W	PHY2_PARM	PHY parameter 2
0081-0083h	-	-	Reserved
0084h	R/W	CRC0	Power Management CRC register0 for wakeup frame 0
0085h	R/W	CRC1	Power Management CRC register1 for wakeup frame 1
0086h	R/W	CRC2	Power Management CRC register2 for wakeup frame 2
0087h	R/W	CRC3	Power Management CRC register3 for wakeup frame 3
0088h	R/W	CRC4	Power Management CRC register4 for wakeup frame 4
0089h	R/W	CRC5	Power Management CRC register5 for wakeup frame 5
008Ah	R/W	CRC6	Power Management CRC register6 for wakeup frame 6
008Bh	R/W	CRC7	Power Management CRC register7 for wakeup frame 7
008Ch-0093h	R/W	Wakeup0	Power Management wakeup frame0 (64bit)
0094h-009Bh	R/W	Wakeup1	Power Management wakeup frame1 (64bit)
009Ch-00A3h	R/W	Wakeup2	Power Management wakeup frame2 (64bit)
00A4h-00ABh	R/W	Wakeup3	Power Management wakeup frame3 (64bit)
00ACh-00B3h	R/W	Wakeup4	Power Management wakeup frame4 (64bit)
00B4h-00BBh	R/W	Wakeup5	Power Management wakeup frame5 (64bit)
00BCh-00C3h	R/W	Wakeup6	Power Management wakeup frame6 (64bit)
00C4h-00CBh	R/W	Wakeup7	Power Management wakeup frame7 (64bit)
00CCh	R/W	LSBCRC0	LSB of the mask byte of wakeup frame0 within offset 12 to 75
00CDh	R/W	LSBCRC1	LSB of the mask byte of wakeup frame1 within offset 12 to 75
00CEh	R/W	LSBCRC2	LSB of the mask byte of wakeup frame2 within offset 12 to 75
00CFh	R/W	LSBCRC3	LSB of the mask byte of wakeup frame3 within offset 12 to 75
00D0h	R/W	LSBCRC4	LSB of the mask byte of wakeup frame4 within offset 12 to 75
00D1h	R/W	LSBCRC5	LSB of the mask byte of wakeup frame5 within offset 12 to 75
00D2h	R/W	LSBCRC6	LSB of the mask byte of wakeup frame6 within offset 12 to 75

00D3h	R/W	LSBCRC7	LSB of the mask byte of wakeup frame7 within offset 12 to 75
00D4h-00D7h	-	-	Reserved.
00D8h	R/W	Config5	Configuration register 5
00D9h-00FFh	-	-	Reserved.

5.1 Receive Status Register in Rx packet header

Bit	R/W	Symbol	Description
15	R	MAR	Multicast Address Received: This bit set to 1 indicates that a multicast packet is received.
14	R	PAM	Physical Address Matched: This bit set to 1 indicates that the destination address of this packet matches the value written in ID registers.
13	R	BAR	Broadcast Address Received: This bit set to 1 indicates that a broadcast packet is received. BAR, MAR bit will not be set simultaneously.
12-6	-	-	Reserved
5	R	ISE	Invalid Symbol Error: (100BASE-TX only) This bit set to 1 indicates that an invalid symbol was encountered during the reception of this packet.
4	R	RUNT	Runt Packet Received: This bit set to 1 indicates that the received packet length is smaller than 64 bytes (i.e. media header + data + CRC < 64 bytes)
3	R	LONG	Long Packet: This bit set to 1 indicates that the size of the received packet exceeds 4k bytes.
2	R	CRC	CRC Error: When set, indicates that a CRC error occurred on the received packet.
1	R	FAE	Frame Alignment Error: When set, indicates that a frame alignment error occurred on this received packet.
0	R	ROK	Receive OK: When set, indicates that a good packet is received.

5.2 Transmit Status Register (TSD0-3)

(Offset 0010h-001Fh, R/W)

The read-only bits (CRS, TABT, OWC, CDH, NCC3-0, TOK, TUN) will be cleared by the RTL8101L when the Transmit Byte Count (bits 12-0) in the corresponding Tx descriptor is written. It is not affected when software writes to these bits. These registers are only permitted to write by double-word access. After a software reset, all bits except OWN bit are reset to "0".

Bit	R/W	Symbol	Description
31	R	CRS	Carrier Sense Lost: This bit is set to 1 when the carrier is lost during transmission of a packet.
30	R	TABT	Transmit Abort: This bit is set to 1 if the transmission of a packet was aborted. This bit is read only, writing to this bit is not affected.
29	R	OWC	Out of Window Collision: This bit is set to 1 if the RTL8101L encountered an "out of window" collision during the transmission of a packet.
28	R	CDH	CD Heart Beat: The NIC watches for a collision signal (ie, CD Heartbeat signal) during the first 6.4us of the interframe gap following a transmission. This bit is set if the transceiver fails to send this signal. This bit is cleared in the 100 Mbps mode.
27-24	R	NCC3-0	Number of Collision Count: Indicates the number of collisions encountered during the transmission of a packet.
23-22	-	-	Reserved
21-16	R/W	ERTXTH5-0	Early Tx Threshold: Specifies the threshold level in the Tx FIFO to begin the transmission. When the byte count of the data in the Tx FIFO reaches this level, (or the FIFO contains at least one complete packet) the RTL8101L will transmit this packet. 000000 = 8 bytes

			These fields count from 000001 to 111111 in unit of 32 bytes. This threshold must avoid exceeding 2K bytes.
15	R	TOK	Transmit OK: Set to 1 indicates that the transmission of a packet was completed successfully and no transmit underrun has occurred.
14	R	TUN	Transmit FIFO Underrun: Set to 1 if the Tx FIFO was exhausted during the transmission of a packet. The RTL8101L can re-transfer data if the Tx FIFO underruns and can also transmit the packet to the wire successfully even though the Tx FIFO underruns. That is, when TSD<TUN>=1, TSD<TOK>=0 and ISR<TOK>=1 (or ISR<TER>=1).
13	R/W	OWN	OWN: The RTL8101L sets this bit to 1 when the Tx DMA operation of this descriptor was completed. The driver must set this bit to 0 when the Transmit Byte Count (bits 0-12) is written. The default value is 1.
12-0	R/W	SIZE	Descriptor Size: The total size in bytes of the data in this descriptor. If the packet length is more than 1792 byte (0700h), the Tx queue will be invalid, i.e. the next descriptor will be written only after the OWN bit of that long packet's descriptor has been set.

5.3 ERSR: Early Rx Status Register

(Offset 0036h, R)

Bit	R/W	Symbol	Description
7-4	-	-	Reserved
3	R	ERGood	Early Rx Good packet: This bit is set whenever a packet is completely received and the packet is good. Writing a 1 to this bit will clear it.
2	R	ERBad	Early Rx Bad packet: This bit is set whenever a packet is completely received and the packet is bad. Writing a 1 to this bit will clear it.
1	R	EROVW	Early Rx OverWrite: This bit is set when the RTL8101L's local address pointer is equal to CAPR. In the early mode, this is different from buffer overflow. It happens that the RTL8101L detected an Rx error and wanted to fill another packet data from the beginning address of that error packet. Writing a 1 to this bit will clear it.
0	R	EROK	Early Rx OK: The power-on value is 0. It is set when the Rx byte count of the arriving packet exceeds the Rx threshold. After the whole packet is received, the RTL8101L will set ROK or RER in ISR and clear this bit simultaneously. Setting this bit will invoke a ROK interrupt.

5.4 Command Register

(Offset 0037h, R/W)

This register is used for issuing commands to the RTL8101L. These commands are issued by setting the corresponding bits for the function. A global software reset along with individual reset and enable/disable for transmitter and receiver are provided here.

Bit	R/W	Symbol	Description
7-5	-	-	Reserved
4	R/W	RST	Reset: Setting to 1 forces the RTL8101L to a software reset state which disables the transmitter and receiver, reinitializes the FIFOs, resets the system buffer pointer to the initial value (Tx buffer is at TSAD0, Rx buffer is empty). The values of IDR0-5 and MAR0-7 and PCI configuration space will have no changes. This bit is 1 during the reset operation, and is cleared to 0 by the RTL8101L when the reset operation is complete.

3	R/W	RE	Receiver Enable: When set to 1, and the receive state machine is idle, the receive machine becomes active. This bit will read back as a 1 whenever the receive state machine is active. After initial power-up, software must insure that the receiver has completely reset before setting this bit.
2	R/W	TE	Transmitter Enable: When set to 1, and the transmit state machine is idle, then the transmit state machine becomes active. This bit will read back as a 1 whenever the transmit state machine is active. After initial power-up, software must insure that the transmitter has completely reset before setting this bit.
1	-	-	Reserved
0	R	BUFE	Buffer Empty: Rx Buffer Empty. There is no packet stored in the Rx buffer ring.

5.5 Interrupt Mask Register

(Offset 003Ch-003Dh, R/W)

Bit	R/W	Symbol	Description
15	R/W	SERR	System error Interrupt: 1 => Enable, 0 => Disable.
14	R/W	TimeOut	Time Out Interrupt: 1 => Enable, 0 => Disable.
13	R/W	LenChg	Cable Length Change Interrupt: 1 => Enable, 0 => Disable.
12-7	-	-	Reserved
6	R/W	FOVW	Rx FIFO Overflow Interrupt: 1 => Enable, 0 => Disable.
5	R/W	PUN/LinkChg	Packet Underrun/Link Change Interrupt: 1 => Enable, 0 => Disable.
4	R/W	RXOVW	Rx Buffer Overflow Interrupt: 1 => Enable, 0 => Disable.
3	R/W	TER	Transmit error Interrupt: 1 => Enable, 0 => Disable.
2	R/W	TOK	Transmit OK Interrupt: 1 => Enable, 0 => Disable.
1	R/W	RER	Receive Error Interrupt: 1 => Enable, 0 => Disable.
0	R/W	ROK	Receive OK Interrupt: 1 => Enable, 0 => Disable.

5.6 Interrupt Status Register

(Offset 003Eh-003Fh, R/W)

This register indicates the source of an interrupt when the INTA pin goes active. Enabling the corresponding bits in the Interrupt Mask Register (IMR) allows bits in this register to produce an interrupt. When an interrupt is active, one of more bits in this register are set to a “1”. The interrupt Status Register reflects all current pending interrupts, regardless of the state of the corresponding mask bit in the IMR. Reading the ISR clears all interrupts. Writing to the ISR has no effect.

Bit	R/W	Symbol	Description
15	R/W	SERR	System Error: Set to 1 when the RTL8101L signals a system error on the PCI bus.
14	R/W	TimeOut	Time Out: Set to 1 when the TCTR register reaches to the value of the TimerInt register.
13	R/W	LenChg	Cable Length Change: Cable length is changed after Receiver is enabled.
12 - 7	-	-	Reserved
6	R/W	FOVW	Rx FIFO Overflow: Set when an overflow occurs on the Rx status FIFO.
5	R/W	PUN/LinkChg	Packet Underrun/Link Change: Set to 1 when CAPR is written but Rx buffer is empty, or when link status is changed.
4	R/W	RXOVW	Rx Buffer Overflow: Set when receive (Rx) buffer ring storage resources have been exhausted.
3	R/W	TER	Transmit (Tx) Error: Indicates that a packet transmission was aborted,

			<p>The RTL8101L receives the error packet larger than 64-byte long when the RER8 bit is cleared. The power-on default is zero.</p> <p>If AER or AR is set, the RER will be set when the RTL8101L receives an error packet whose length is larger than 8 bytes. The RER8 is “Don’t care “ in this situation.</p>
--	--	--	---

15-13	R/W	RXFTH2, 1, 0	<p>Rx FIFO Threshold: Specifies Rx FIFO Threshold level. When the number of the received data bytes from a packet, which is being received into the RTL8101L's Rx FIFO, has reached to this level (or the FIFO has contained a complete packet), the receive PCI bus master function will begin to transfer the data from the FIFO to the host memory. This field sets the threshold level according to the following table:</p> <p>000 = 16 bytes 001 = 32 bytes 010 = 64 bytes 011 = 128 bytes 100 = 256 bytes 101 = 512 bytes 110 = 1024 bytes 111 = no rx threshold. The RTL8101L begins the transfer of data after having received a whole packet in the FIFO.</p>
12-11	R/W	RBLLEN1, 0	<p>Rx Buffer Length: This field indicates the size of the Rx ring buffer.</p> <p>00 = 8k + 16 byte 01 = 16k + 16 byte 10 = 32K + 16 byte 11 = 64K + 16 byte</p>
10-8	R/W	MXDMA2, 1, 0	<p>Max DMA Burst Size per Rx DMA Burst: This field sets the maximum size of the receive DMA data bursts according to the following table:</p> <p>000 = 16 bytes 001 = 32 bytes 010 = 64 bytes 011 = 128 bytes 100 = 256 bytes 101 = 512 bytes 110 = 1024 bytes 111 = unlimited</p>
7	R/W	WRAP	<p>When set to 0: The RTL8101L will transfer the rest of the packet data into the beginning of the Rx buffer if this packet has not been completely moved into the Rx buffer and the transfer has arrived at the end of the Rx buffer.</p> <p>When set to 1: The RTL8101L will keep moving the rest of the packet data into the memory immediately after the end of the Rx buffer, if this packet has not been completely moved into the Rx buffer and the transfer has arrived at the end of the Rx buffer. The software driver must reserve at least 1.5K bytes buffer to accept the remainder of the packet. We assume that the remainder of the packet is X bytes. The next packet will be moved into the memory from the X byte offset at the top of the Rx buffer.</p> <p>This bit is invalid when Rx buffer is selected to 64K bytes.</p>
6	-	-	Reserved
5	R/W	AER	<p>Accept Error Packet: When set to 1, all packets with CRC error, alignment error, and/or collided fragments will be accepted. When set to 0, all packets with CRC error, alignment error, and/or collided fragments will be rejected.</p>
4	R/W	AR	<p>Accept Runt: This bit allows the receiver to accept packets that are smaller than 64 bytes. The packet must be at least 8 bytes long to be accepted as a runt. Set to 1 to accept runt packets.</p>
3	R/W	AB	<p>Accept Broadcast packets: Set to 1 to accept, 0 to reject.</p>
2	R/W	AM	<p>Accept Multicast packets: Set to 1 to accept, 0 to reject.</p>
1	R/W	APM	<p>Accept Physical Match packets: Set to 1 to accept, 0 to reject.</p>
0	R/W	AAP	<p>Accept All Packets: Set to 1 to accept all packets with a physical</p>

		destination address, 0 to reject.
--	--	-----------------------------------

5.9 9346CR: 93C46 Command Register (Offset 0050h, R/W)

Bit	R/W	Symbol	Description															
7-6	R/W	EEM1-0	<p>Operating Mode: These 2 bits select the RTL8101L operating mode.</p> <table border="1"> <thead> <tr> <th>EEM1</th> <th>EEM0</th> <th>Operating Mode</th> </tr> </thead> <tbody> <tr> <td>0</td> <td>0</td> <td>Normal (RTL8101L network/host communication mode)</td> </tr> <tr> <td>0</td> <td>1</td> <td>Auto-load: Entering this mode will make the RTL8101L load the contents of 93C46 like when the RSTB signal is asserted. This auto-load operation will take about 2 ms. After it is completed, the RTL8101L goes back to the normal mode automatically (EEM1 = EEM0 = 0) and all the other registers are reset to default values.</td> </tr> <tr> <td>1</td> <td>0</td> <td>93C46 programming: In this mode, both network and host bus master operations are disabled. The 93C46 can be directly accessed via bit3-0 which now reflect the states of EECS, EESK, EEDI, & EEDO pins respectively.</td> </tr> <tr> <td>1</td> <td>1</td> <td>Config register write enable: Before writing to CONFIG0, 1, 3, 4 registers, and bit13, 12, 8 of BMCR(offset 62h-63h), the RTL8101L must be placed in this mode. This will prevent RTL8101L's configurations from accidental change.</td> </tr> </tbody> </table>	EEM1	EEM0	Operating Mode	0	0	Normal (RTL8101L network/host communication mode)	0	1	Auto-load: Entering this mode will make the RTL8101L load the contents of 93C46 like when the RSTB signal is asserted. This auto-load operation will take about 2 ms. After it is completed, the RTL8101L goes back to the normal mode automatically (EEM1 = EEM0 = 0) and all the other registers are reset to default values.	1	0	93C46 programming: In this mode, both network and host bus master operations are disabled. The 93C46 can be directly accessed via bit3-0 which now reflect the states of EECS, EESK, EEDI, & EEDO pins respectively.	1	1	Config register write enable: Before writing to CONFIG0, 1, 3, 4 registers, and bit13, 12, 8 of BMCR(offset 62h-63h), the RTL8101L must be placed in this mode. This will prevent RTL8101L's configurations from accidental change.
EEM1	EEM0	Operating Mode																
0	0	Normal (RTL8101L network/host communication mode)																
0	1	Auto-load: Entering this mode will make the RTL8101L load the contents of 93C46 like when the RSTB signal is asserted. This auto-load operation will take about 2 ms. After it is completed, the RTL8101L goes back to the normal mode automatically (EEM1 = EEM0 = 0) and all the other registers are reset to default values.																
1	0	93C46 programming: In this mode, both network and host bus master operations are disabled. The 93C46 can be directly accessed via bit3-0 which now reflect the states of EECS, EESK, EEDI, & EEDO pins respectively.																
1	1	Config register write enable: Before writing to CONFIG0, 1, 3, 4 registers, and bit13, 12, 8 of BMCR(offset 62h-63h), the RTL8101L must be placed in this mode. This will prevent RTL8101L's configurations from accidental change.																
4-5	-	-	Reserved															
3	R/W	EECS	These bits reflect the state of EECS, EESK, EEDI & EEDO pins in auto-load or 93C46 programming mode.															
2	R/W	EESK																
1	R/W	EEDI																
0	R	EEDO																

5.10 CONFIG 0: Configuration Register 0 (Offset 0051h, R/W)

Bit	R/W	Symbol	Description																																				
7	R	SCR	Scrambler Mode: Always 0.																																				
6	R	PCS	PCS Mode: Always 0.																																				
5	R	T10	10 Mbps Mode: Always 0.																																				
4-3	R	PL1, PL0	Select 10 Mbps Medium Type: Always (PL1, PL0) = (1, 0)																																				
2-0	R	BS2, BS1, BS0	<p>Select Boot ROM size (Autoloaded from EEPROM)</p> <table border="1"> <thead> <tr> <th>BS2</th> <th>BS1</th> <th>BS0</th> <th>Description</th> </tr> </thead> <tbody> <tr> <td>0</td> <td>0</td> <td>0</td> <td>No Boot ROM</td> </tr> <tr> <td>0</td> <td>0</td> <td>1</td> <td>8K Boot ROM</td> </tr> <tr> <td>0</td> <td>1</td> <td>0</td> <td>16K Boot ROM</td> </tr> <tr> <td>0</td> <td>1</td> <td>1</td> <td>32K Boot ROM</td> </tr> <tr> <td>1</td> <td>0</td> <td>0</td> <td>64K Boot ROM</td> </tr> <tr> <td>1</td> <td>0</td> <td>1</td> <td>128K Boot ROM</td> </tr> <tr> <td>1</td> <td>1</td> <td>0</td> <td>unused</td> </tr> <tr> <td>1</td> <td>1</td> <td>1</td> <td>unused</td> </tr> </tbody> </table>	BS2	BS1	BS0	Description	0	0	0	No Boot ROM	0	0	1	8K Boot ROM	0	1	0	16K Boot ROM	0	1	1	32K Boot ROM	1	0	0	64K Boot ROM	1	0	1	128K Boot ROM	1	1	0	unused	1	1	1	unused
BS2	BS1	BS0	Description																																				
0	0	0	No Boot ROM																																				
0	0	1	8K Boot ROM																																				
0	1	0	16K Boot ROM																																				
0	1	1	32K Boot ROM																																				
1	0	0	64K Boot ROM																																				
1	0	1	128K Boot ROM																																				
1	1	0	unused																																				
1	1	1	unused																																				

5.11 CONFIG 1: Configuration Register 1

(Offset 0052h, R/W)

Bit	R/W	Symbol	Description													
7-6	R/W	LEDS1-0	Refer to LED PIN definition. These bits initial value come from 93C46.													
5	R/W	DVRLOAD	Driver Load: Software may use this bit to make sure that the driver has been loaded. Writing 1 is 1. Writing 0 is 0. When the command register bits IOEN, MEMEN, and BMEN of the PCI configuration space are written, the RTL8101L will clear this bit automatically.													
4	R/W	LWACT	<p>LWAKE active mode: The LWACT bit and LWPTN bit in CONFIG4 register are used to program the LWAKE pin's output signal. According to the combination of these two bits, there may be 4 choices of LWAKE signal, i.e., active high, active low, positive (high) pulse, and negative (low) pulse. The output pulse width is about 150ms.</p> <p>The default value of each of these two bits is 0, i.e., the default output signal of LWAKE pin is an active high signal.</p> <table border="1" style="margin-left: auto; margin-right: auto;"> <thead> <tr> <th colspan="2" rowspan="2">LWAKE output</th> <th colspan="2">LWACT</th> </tr> <tr> <th>0</th> <th>1</th> </tr> </thead> <tbody> <tr> <th rowspan="2">LWPTN</th> <th>0</th> <td>Active high*</td> <td>Active low</td> </tr> <tr> <th>1</th> <td>Positive pulse</td> <td>Negative pulse</td> </tr> </tbody> </table> <p>* Default value.</p>	LWAKE output		LWACT		0	1	LWPTN	0	Active high*	Active low	1	Positive pulse	Negative pulse
LWAKE output		LWACT														
		0	1													
LWPTN	0	Active high*	Active low													
	1	Positive pulse	Negative pulse													
3	R	MEMMAP	Memory Mapping: The operational registers are mapped into PCI memory space.													
2	R	IOMAP	I/O Mapping: The operational registers are mapped into PCI I/O space.													
1	R/W	VPD	Set to enable Vital Product Data: The VPD data is stored in 93C46 from within offset 40h-7Fh.													
0	R/W	PMEn	<p>Power Management Enable: Writable only when 93C46CR register EEM1=EEM0=1 Let A denote the New_Cap bit (bit 4 of the Status Register) in the PCI Configuration space offset 06H. Let B denote the Cap_Ptr register in the PCI Configuration space offset 34H. Let C denote the Cap_ID (power management) register in the PCI Configuration space offset 50H. Let D denote the power management registers in the PCI Configuration space offset from 52H to 57H. Let E denote the Next_Ptr (power management) register in the PCI Configuration space offset 51H.</p> <p>PMEn Description 0 A=B=C=E=0, D not valid 1 A=1, B=50h, C=01h, D valid, E=0</p>													

5.12 Media Status Register
(Offset 0058h, R/W)

Bit	R/W	Symbol	Description															
7	R/W	TXFCE/ LdTXFCE	<p>Tx Flow Control Enable: The flow control is valid in full-duplex mode only. This register's default value comes from 93C46.</p> <table border="1" style="margin-left: auto; margin-right: auto;"> <thead> <tr> <th>RTL8101L</th> <th>Remote</th> <th>TXFCE/LdTXFCE</th> </tr> </thead> <tbody> <tr> <td>ANE = 1</td> <td>NWAY FLY mode</td> <td>R/O</td> </tr> <tr> <td>ANE = 1</td> <td>NWAY mode only</td> <td>R/W</td> </tr> <tr> <td>ANE = 1</td> <td>No NWAY</td> <td>R/W</td> </tr> <tr> <td>ANE = 0 & full-duplex mode</td> <td>-</td> <td>R/W</td> </tr> </tbody> </table>	RTL8101L	Remote	TXFCE/LdTXFCE	ANE = 1	NWAY FLY mode	R/O	ANE = 1	NWAY mode only	R/W	ANE = 1	No NWAY	R/W	ANE = 0 & full-duplex mode	-	R/W
RTL8101L	Remote	TXFCE/LdTXFCE																
ANE = 1	NWAY FLY mode	R/O																
ANE = 1	NWAY mode only	R/W																
ANE = 1	No NWAY	R/W																
ANE = 0 & full-duplex mode	-	R/W																

			<table border="1"> <tr> <td>ANE = 0 & half-duplex mode</td> <td>-</td> <td>invalid</td> </tr> </table> <p>NWAY FLY mode: NWAY with flow control capability NWAY mode only: NWAY without flow control capability</p>	ANE = 0 & half-duplex mode	-	invalid
ANE = 0 & half-duplex mode	-	invalid				
6	R/W	RXFCE	RX Flow control Enable: The flow control is enabled in full-duplex mode only. The default value comes from 93C46.			
5	-	-	Reserved			
4	R	Aux_Status	Aux. Power present Status: 1: The Aux. Power is present. 0: The Aux. Power is absent. The value of this bit is fixed after each PCI reset.			
3	R	SPEED_10	Speed: Set, when current media is 10 Mbps mode. Reset, when current media is 100 Mbps mode.			
2	R	LINKB	Inverse of Link status. 0 = Link OK. 1 = Link Fail.			
1	R	TXPF	Transmit Pause Flag: Set, when RTL8101L sends pause packet. Reset, when RTL8101L sends a timer done packet.			
0	R	RXPF	Receive Pause Flag: Set, when RTL8101L is in backoff state because a pause packet was received. Reset, when pause state is clear.			

5.13 CONFIG 3: Configuration Register3

(Offset 0059h, R/W)

Bit	R/W	Symbol	Description
7	R	GNTSel	Gnt Select: Select the Frame's asserted time after the Grant signal has been asserted. The Frame and Grant are the PCI signals. 1: delay one clock from GNT assertion. 0: No delay
6	R/W	PARAM_En	Parameter Enable: (Used in 100Mbps mode only) This set to 0 and the 9346CR register EEM1=EEM0=1 will enable the PHY1_PARM, PHY2_PARM, and TW_PARM registers to be written via software. This set to 1 will allow parameters to be auto-loaded from the 93C46 and disable writing to the PHY1_PARM, PHY2_PARM and TW_PARM registers via software. The PHY1_PARM and PHY2_PARM can be auto-loaded from the EEPROM in this mode. The parameter auto-load process is executed every time the Link is OK in 100Mbps mode.
5	R/W	Magic	Magic Packet: This bit is valid when the PWEn bit of the CONFIG1 register is set. The RTL8101L will assert the PMEB signal to wakeup the operating system when the Magic Packet is received. Once the RTL8101L has been enabled for Magic Packet wakeup and has been put into adequate state, it scans all incoming packets addressed to the node for a specific data sequence, which indicates to the controller that this is a Magic Packet frame. A Magic Packet frame must also meet the basic requirements of: Destination address + Source address + data + CRC The destination address may be the node ID of the receiving station or a multicast address, which includes the broadcast address. The specific sequence consists of 16 duplications of 6 byte ID registers, with no breaks or interrupts. This sequence can be located anywhere within the packet, but must be preceded by a synchronization stream, 6 bytes of FFh. The device will also accept a multicast address, as long as the 16 duplications of the IEEE address match the address of the ID registers.

5.15 Multiple Interrupt Select Register

(Offset 005Ch-005Dh, R/W)

If the received packet data is not a familiar protocol (IPX, IP, NDIS, etc.) to the RTL8101L, RCR<ERTH[3:0]> won't be used to transfer data in early mode. This register will be written to the received data length in order to make an early Rx interrupt for the unfamiliar protocol.

Bit	R/W	Symbol	Description
15-12	-	-	Reserved
11-0	R/W	MISR11-0	Multiple Interrupt Select: Indicates that the RTL8101L makes an rx interrupt after RTL8101L has transferred the byte data into the system memory. If the value of these bits is zero, there will be no early interrupt as soon as the RTL8101L prepares to execute the first PCI transaction of the received data. Bit1, 0 must be zero. The ERTH3-0 bits should not be set to 0 when the multiple interrupt select register is used.

- The above is true when MulERINT=0 (bit17, RCR). When MulERINT=1, any received packet invokes early interrupt according to the MISR[11:0] setting in early mode.

5.16 PCI Revision ID

(Offset 005Eh, R)

Bit	R/W	Symbol	Description
7-0	R	Revision ID	The value in PCI Configuration Space offset 08h is 10h.

5.17 Transmit Status of All Descriptors (TSAD) Register

(Offset 0060h-0061h, R/W)

Bit	R/W	Symbol	Description
15	R	TOK3	TOK bit of Descriptor 3
14	R	TOK2	TOK bit of Descriptor 2
13	R	TOK1	TOK bit of Descriptor 1
12	R	TOK0	TOK bit of Descriptor 0
11	R	TUN3	TUN bit of Descriptor 3
10	R	TUN2	TUN bit of Descriptor 2
9	R	TUN1	TUN bit of Descriptor 1
8	R	TUN0	TUN bit of Descriptor 0
7	R	TABT3	TABT bit of Descriptor 3
6	R	TABT2	TABT bit of Descriptor 2
5	R	TABT1	TABT bit of Descriptor 1
4	R	TABT0	TABT bit of Descriptor 0
3	R	OWN3	OWN bit of Descriptor 3
2	R	OWN2	OWN bit of Descriptor 2
1	R	OWN1	OWN bit of Descriptor 1
0	R	OWN0	OWN bit of Descriptor 0

5.18 Basic Mode Control Register

(Offset 0062h-0063h, R/W)

Bit	Name	Description/Usage	Default/Attribute
15	Reset	This bit sets the status and control registers of the PHY(register 0062-0074H) in a default state. This bit is self-clearing. 1 = software reset; 0 = normal operation.	0, RW
14	-	Reserved	-
13	Spd_Set	This bit sets the network speed. 1 = 100Mbps; 0 = 10Mbps. This bit's initial value comes from 93C46.	0, RW
12	Auto Negotiation Enable (ANE)	This bit enables/disables the NWay auto-negotiation function. Set to 1 to enable auto-negotiation, bit13 will be ignored. Set to 0 disables auto-negotiation, bit13 and bit8 will determine the link speed and the data transfer mode, respectively. This bit's initial value comes from 93C46.	0, RW
11-10	-	Reserved	-
9	Restart Auto Negotiation	This bit allows the NWay auto-negotiation function to be reset. 1 = re-start auto-negotiation; 0 = normal operation.	0, RW
8	Duplex Mode	This bit sets the duplex mode. 1 = full-duplex; 0 = normal operation. This bit's initial value comes from 93C46. If bit12 = 1, read = status write = register value. If bit12 = 0, read = write = register value.	0, RW
7-0	-	Reserved	-

5.19 Basic Mode Status Register
(Offset 0064h-0065h, R)

Bit	Name	Description/Usage	Default/Attribute
15	100Base-T4	1 = enable 100Base-T4 support; 0 = suppress 100Base-T4 support.	0, RO
14	100Base_TX_FD	1 = enable 100Base-TX full duplex support; 0 = suppress 100Base-TX full duplex support.	1, RO
13	100BASE_TX_H D	1 = enable 100Base-TX half-duplex support; 0 = suppress 100Base-TX half-duplex support.	1, RO
12	10Base_T_FD	1 = enable 10Base-T full duplex support; 0 = suppress 10Base-T full duplex support.	1, RO
11	10_Base_T_HD	1 = enable 10Base-T half-duplex support; 0 = suppress 10Base-T half-duplex support.	1, RO
10-6	-	Reserved	-
5	Auto Negotiation Complete	1 = auto-negotiation process completed; 0 = auto-negotiation process not completed.	0, RO
4	Remote Fault	1 = remote fault condition detected (cleared on read); 0 = no remote fault condition detected.	0, RO
3	Auto Negotiation	1 = Link had not been experienced fail state. 0 = Link had been experienced fail state	1, RD
2	Link Status	1 = valid link established; 0 = no valid link established.	0, RO
1	Jabber Detect	1 = jabber condition detected; 0 = no jabber condition detected.	0, RO
0	Extended Capability	1 = extended register capability; 0 = basic register capability only.	1, RO

5.20 Auto-negotiation Advertisement Register

(Offset 0066h-0067h, R/W)

Bit	Name	Description/Usage	Default/Attribute
15	NP	Next Page bit. 1 = transmitting the protocol specific data page; 0 = transmitting the primary capability data page	0, RO
14	ACK	1 = acknowledge reception of link partner capability data word.	0, RO
13	RF	1 = advertise remote fault detection capability; 0 = do not advertise remote fault detection capability.	0, RW
12-11	-	Reserved	-
10	Pause	1 = flow control is supported by local node. 0 = flow control is not supported by local mode.	The default value comes from EEPROM, RO
9	T4	1 = 100Base-T4 is supported by local node; 0 = 100Base-T4 not supported by local node.	0, RO
8	TXFD	1 = 100Base-TX full duplex is supported by local node; 0 = 100Base-TX full duplex not supported by local node.	1, RW
7	TX	1 = 100Base-TX is supported by local node; 0 = 100Base-TX not supported by local node.	1, RW
6	10FD	1 = 10Base-T full duplex supported by local node; 0 = 10Base-T full duplex not supported by local node.	1, RW
5	10	1 = 10Base-T is supported by local node; 0 = 10Base-T not supported by local node.	1, RW
4-0	Selector	Binary encoded selector supported by this node. Currently only CSMA/CD <00001> is specified. No other protocols are supported.	<00001>, RW

5.21 Auto-Negotiation Link Partner Ability Register
(Offset 0068h-0069h, R)

Bit	Name	Description/Usage	Default/Attribute
15	NP	Next Page bit. 1 = transmitting the protocol specific data page; 0 = transmitting the primary capability data page	0, RO
14	ACK	1 = link partner acknowledges reception of local node's capability data word.	0, RO
13	RF	1 = link partner is indicating a remote fault.	0, RO
12-11	-	Reserved	-
10	Pause	1 = Flow control is supported by link partner; 0 = Flow control is not supported by link partner	0, RO
9	T4	1 = 100Base-T4 is supported by link partner; 0 = 100Base-T4 not supported by link partner	0, RO
8	TXFD	1 = 100Base-TX full duplex is supported by link partner; 0 = 100Base-TX full duplex not supported by link partner	0, RO
7	TX	1 = 100Base-TX is supported by link partner; 0 = 100Base-TX not supported by link partner	0, RO
6	10FD	1 = 10Base-T full duplex is supported by link partner; 0 = 10Base-T full duplex not supported by link partner	0, RO
5	10	1 = 10Base-T is supported by link partner; 0 = 10Base-T not supported by link partner	0, RO
4-0	Selector	Link Partner's binary encoded node selector. Currently only CSMA/CD <00001> is specified.	<00000>, RO

5.22 Auto-negotiation Expansion Register

(Offset 006Ah-006Bh, R)

This register contains additional status for NWay auto-negotiation.

Bit	Name	Description/Usage	Default/Attribute
15-5	-	Reserved. These bits are always set to 0.	-
4	MLF	Status indicating if a multiple link fault has occurred. 1 = fault occurred; 0 = no fault occurred.	0, RO
3	LP_NP_ABLE	Status indicating if the link partner supports Next Page negotiation. 1 = supported; 0 = not supported.	0, RO
2	NP_ABLE	This bit indicates if the local node is able to send additional Next Pages.	0, RO
1	PAGE_RX	This bit is set when a new Link Code Word Page has been received. The bit is automatically cleared when the auto-negotiation link partner's ability register (register 5) is read by management.	0, RO
0	LP_NW_ABLE	1 = link partner supports NWay auto-negotiation.	0, RO

5.23 Disconnect Counter

(Offset 006Ch-006Dh, R)

Bit	Name	Description/Usage	Default/Attribute
15-0	DCNT	This 16-bit counter increments by 1 for every disconnect event. It rolls over when becomes full. It is cleared to zero by read command.	h'[0000], R

5.24 False Carrier Sense Counter

(Offset 006Eh-006Fh, R)

Bit	Name	Description/Usage	Default/Attribute
15-0	FCSCNT	This 16-bit counter increments by 1 for each false carrier event. It is cleared to zero by read command.	h'[0000], R

5.25 NWay Test Register

(Offset 0070h-0071h, R/W)

Bit	Name	Description/Usage	Default/Attribute
15-8	-	Reserved	-
7	NWLPBK	1 = set NWay to loopback mode.	0, RW
6-4	-	Reserved	-
3	ENNWLE	1 = LED0 Pin indicates linkpulse	0, RW
2	FLAGABD	1 = Auto-neg experienced ability detect state	0, RO
1	FLAGPDF	1 = Auto-neg experienced parallel detection fault state	0, RO
0	FLAGLSC	1 = Auto-neg experienced link status check state	0, RO

5.26 RX_ER Counter

(Offset 0072h-0073h, R)

Bit	Name	Description/Usage	Default/Attribute
-----	------	-------------------	-------------------

15-0	RXERCNT	This 16-bit counter increments by 1 for each valid packet received. It is cleared to zero by a read command.	h[0000], R
------	----------------	--	---------------

5.27 CS Configuration Register

(Offset 0074h-0075h, R/W)

Bit	Name	Description/Usage	Default/Attribute
15	Testfun	1 = Auto-neg speeds up internal timer	0, WO
14-10	-	Reserved	-
9	LD	Active low TPI link disable signal. When low, TPI still transmits link pulses and TPI stays in good link state.	1, RW
8	HEART BEAT	1 = HEART BEAT enable, 0 = HEART BEAT disable. HEART BEAT function is only valid in 10Mbps mode.	1, RW
7	JBEN	1 = enable jabber function. 0 = disable jabber function	1, RW
6	F_LINK_100	Used to login force good link in 100Mbps for diagnostic purposes. 1 = DISABLE, 0 = ENABLE.	1, RW
5	F_Connect	Assertion of this bit forces the disconnect function to be bypassed.	0, RW
4	-	Reserved	-
3	Con_status	This bit indicates the status of the connection. 1 = valid connected link detected; 0 = disconnected link detected.	0, RO
2	Con_status_En	Assertion of this bit configures LED1 pin to indicate connection status.	0, RW
1	-	Reserved	-
0	PASS_SCR	Bypass Scramble	0, RW

5.28 Config5: Configuration Register 5

(Offset 00D8h, R/W)

This register, unlike other Config registers, is not protected by 93C46 Command register. I.e. there is no need to enable Config register write prior to writing to Config5.

Bit	R/W	Symbol	Description
7	-	-	Reserved
6	R/W	BWF	Broadcast Wakeup Frame: 1: Enable Broadcast Wakeup Frame with mask bytes of only DID field = FF FF FF FF FF FF. 0: Default value. Disable Broadcast Wakeup Frame with mask bytes of only DID field = FF FF FF FF FF FF. The power-on default value of this bit is 0.
5	R/W	MWF	Multicast Wakeup Frame: 1: Enable Multicast Wakeup Frame with mask bytes of only DID field, which is a multicast address. 0: Default value. Disable Multicast Wakeup Frame with mask bytes of only DID field, which is a multicast address. The power-on default value of this bit is 0.
4	R/W	UWF	Unicast Wakeup Frame: 1: Enable Unicast Wakeup Frame with mask bytes of only DID field, which is its own physical address. 0: Default value. Disable Unicast Wakeup Frame with mask bytes of only DID field, which is its own physical address. The power-on default value of this bit is 0.
3	R/W	FIFOAddrPtr	FIFO Address Pointer: (Realtek internal use only to test FIFO SRAM)

			<p>1: Both Rx and Tx FIFO address pointers are updated in descending way from 1FFh and downwards. The initial FIFO address pointer is 1FFh.</p> <p>0: (Power-on) default value. Both Rx and Tx FIFO address pointers are updated in ascending way from 0 and upwards. The initial FIFO address pointer is 0.</p> <p>Note: This bit does not participate in EEPROM auto-load. The FIFO address pointers can not be reset, except initial power-on.</p> <p>The power-on default value of this bit is 0.</p>
2	R/W	LDPS	<p>Link Down Power Saving mode:</p> <p>1: Disable.</p> <p>0: Enable. When cable is disconnected (Link Down), the analog part will power down itself (PHY Tx part & part of twister) automatically except PHY Rx part and part of twister to monitor SD signal in case that cable is re-connected and Link should be established again.</p>
1	R/W	LANWake	<p>LANWake signal enable/disable:</p> <p>1: Enable LANWake signal.</p> <p>0: Disable LANWake signal.</p>
0	R/W	PME_STS	<p>PME_Status bit: Always sticky/can be reset by PCI RST# and software.</p> <p>1: The PME_Status bit can be reset by PCI reset or by software.</p> <p>0: The PME_Status bit can only be reset by software.</p>

- Config5 register, offset D8h: (SYM_ERR register is changed to Config5, the function of SYM_ERR register is no longer supported by RTL8101L.)
- The 3 bits (bit2-0) are auto-loaded from EEPROM Config5 byte to RTL8101L Config5 register.

6. MC'97 Controller Register and Descriptor Descriptions

MC'97 Registers			
Offset	R/W	Tag	Description
0000h	R/W		The Starting Descriptor Index for LINE1-Out
0001h	R		The Current Descriptor Index for LINE1-Out
0002h	R/W		The Last Descriptor Index for LINE1-Out
0003h	R		LINE1-Out DMA Status Register
0004h-0005h	R/W		LINE1-Out DMA Control Register
0006h-0007h	R		Residual Samples Count in Current LINE1-Out Descriptor Register
0008h-000Bh	-		Reserved
000Ch-000Fh	R/W		LINE1-Out Descriptor Base Address Register
0010h	R/W		The Starting Descriptor Index for LINE1-In
0011h	R		The Current Descriptor Index for LINE1-In
0012h	R/W		The Last Descriptor Index for LINE1-In
0013h	R		LINE1-In DMA Status Register
0014h-0015h	R/W		LINE1-In DMA Control Register
0016h-0017h	R		Residual Samples Count in Current LINE1-In Descriptor Register
0018h-001Bh	-		Reserved
001Ch-001Fh	R/W		LINE1-In Descriptor Base Address Register
0020h-0021h	R/W		AC-LINK Control register
0022h-0023h	R/W		AC-LINK Status and Index register
0024h-0025h	R/W		AC-LINK Data Port
0026h-0027h	R/W		MC97 GPIO Control Register
0028h-0029h	R		MC97 GPIO Status Register
002Ah-002Bh	R/W		Interrupt Status Register
002Ch-002Dh	R/W		PCI GPIO Setup Register (PCIGPIO)
002Eh-002Fh	R/W		PCI GPIO Status Register (PCIGPIOSR)

6.1 The Starting Descriptor Index for LINE-Out

(Offset 0000h, R/W)

Bit	R/W	Symbol	Description
7-5	-	-	Reserved
4-0	R/W	LO_SDILO	Assign the first descriptor to be run when LINE1-Out bus master starts.

6.2 The Current Descriptor Index for LINE-Out

(Offset 0001h, RO)

Bit	R/W	Symbol	Description
7-5	-	-	Reserved
4-0	R	LO_CDIL0	Indicates the current descriptor been running.

6.3 The Last Descriptor Index for LINE-Out

(Offset 0002h, R/W)

Bit	R/W	Symbol	Description
7-5	-	-	Reserved

4-0	R	LO_LDILO	Assign the last descriptor to be run. After the last transaction has been completed for this last descriptor, LINE-Out bus master should stop.
-----	---	----------	--

6.4 LINE-Out DMA Status Register (Offset 0003h, RO)

Bit	R/W	Symbol	Description
7-2	-	-	Reserved
1	R	LO_Curr_Last	Current descriptor is the last descriptor. This bit will be auto cleared
0	R	LO_LH	The LINE-Out bus master is not active or the last descriptor has finished transaction. This bit will be auto cleared by H/W when bus master is active.

6.5 LINE-Out DMA Control Register (Offset 0004h-0005h, R/W)

Bit	R/W	Symbol	Description
15-12	-	-	Reserved
11-8	R/W	LO_DMA_TH	LINE-OUT DMA Threshold Control: 0,1: When FIFO is empty, DMA will be triggered. 2,3: When sample number in FIFO < 2, DMA will be triggered. ... E,F: When sample number in FIFO < 14, DMA will be triggered. Once LINE1-Out DMA is triggered, DMA will continuously read from System memory until samples number in FIFO is equal to threshold.
7	R/W	LO_RS_DMA	Set to clear all registers (offset at 0000h ~ 0007h) related to DMA, and output FIFO should be flushed. This bit is auto cleared and should be set only when DMA is halted.
6-5	-	-	Reserved
4	R/W	FIFOUNIE	FIFO Under-Run Interrupt Enable: 1: Enable interrupt caused by FIFO under-run. 0: Disable interrupt caused by FIFO under-run even the 'FIFO_un' is set.
3	R/W	LO_CDIE	Current Descriptor Interrupt Enable: 1: Enable interrupt caused by current descriptor has finished its transaction. 0: Disable interrupt caused by current descriptor even the 'Curr_End' is set.
2	R/W	LO_LDIE	Last Descriptor Interrupt Enable: 1: Enable interrupt caused by the last descriptor has finished its transaction. 0: Disable interrupt caused by the last descriptor even the 'Last_End' is set.
1	R/W	LO_PDMA	Pause LINE-Out DMA: 1: The LINE1-Out DMA is paused. FIFO request to PCI bus is frozen, residual data in FIFO send to AC-LINK is also froze, whether controller should continuously send the latest data before FIFO froze depends on the BU setting for descriptor. 0: resume DMA
0	R/W	LO_Start	LINE-Out DMA Start/Stop: 1: Start bus master transaction, and the first descriptor assigned in "Starting Descriptor Index". 0: Stop bus master transaction

6.6 Residual Samples Count in Current LINE-Out Descriptor Register

(Offset 0006h - 0007h, R/W)

Bit	R/W	Symbol	Description
15-0	R	LO_RSS	The residual samples number should be read in system memory for current descriptor. (sample: a 16-bit word)

6.7 LINE-Out Descriptor Base Address Register
(Offset 000Ch – 000Fh, R/W)

Bit	R/W	Symbol	Description
31-2	R/W	LO_DBA	LINE-Out Descriptor Base Address [31:2]
1-0	R		LINE-Out Descriptor Base Address [1:0]. Hardwired to 0.

6.8 The Starting Descriptor Index for LINE-In
(Offset 0010h, R/W)

Bit	R/W	Symbol	Description
7-5	-	-	Reserved
4-0	R/W	LI_SDILI	Assign the first descriptor to be run when LINE-In bus master starts.

6.9 The Current Descriptor Index for LINE-In
(Offset 0011h, RO)

Bit	R/W	Symbol	Description
7-5	-	-	Reserved
4-0	R	LI_CDILI	Indicates the current descriptor been running.

6.10 The Last Descriptor Index for LINE-In
(Offset 0012h, R/W)

Bit	R/W	Symbol	Description
7-5	-	-	Reserved
4-0	R	LI_LDILI	Assign the last descriptor to be run. After the last transaction has been completed for this last descriptor, LINE-In bus master should stop.

6.11 LINE-In DMA Status Register
(Offset 0013h, RO)

Bit	R/W	Symbol	Description
7-2	-	-	Reserved
1	R	LI_Curr_Last	Current descriptor is the last descriptor. This bit will be auto cleared
0	R	LI_LH	The LINE-In bus master is not active or the last descriptor has finished transaction. This bit will be auto cleared by H/W when bus master is active.

6.12 LINE-In DMA Control Register

(Offset 0014h-0015h, R/W)

Bit	R/W	Symbol	Description
15-12	-	-	Reserved
11-8	R/W	LI_DMA_TH	LINE-In DMA Threshold Control: 0,1: When FIFO is empty, DMA will be triggered. 2,3: When sample number in FIFO ≥ 2 , DMA will be triggered. ... E,F: When sample number in FIFO ≥ 14 , DMA will be triggered. Once LINE-In DMA is triggered, DMA will continuously read from System memory until samples number in FIFO is equal to threshold.
7	R/W	LI_RS_DMA	Set to clear all registers (offset at 0010h ~ 0017h) related to DMA, and output FIFO should be flushed. This bit is auto cleared and should be set only when DMA is halted.
6-5	-	-	Reserved
4	R/W	FIFOOVIE	FIFO Over-Run Interrupt Enable: 1: Enable interrupt caused by FIFO over-run. 0: Disable interrupt caused by FIFO over-run even the 'FIFO_ov' is set.
3	R/W	LI_CDIE	Current Descriptor Interrupt Enable: 1: Enable interrupt caused by current descriptor has finished its transaction. 0: Disable interrupt caused by current descriptor even the 'Curr_End' is set.
2	R/W	LI_LDIE	Last Descriptor Interrupt Enable: 1: Enable interrupt caused by the last descriptor has finished its transaction. 0: Disable interrupt caused by the last descriptor even the 'Last_End' is set.
1	R/W	LI_PDMA	Pause LINE-In DMA: 1: The LINE1-In DMA is paused. FIFO send to PCI bus is frozen, data in FIFO received from AC-LINK is flushed, whether controller should continuously send the latest data before FIFO froze depends on the BU setting for descriptor. 0: resume DMA
0	R/W	LI_Start	LINE-In DMA Start/Stop: 1: Start bus master transaction, and the first descriptor assigned in "Starting Descriptor Index". 0: Stop bus master transaction

6.13 Residual Samples Count in Current LINE-In Descriptor Register
(Offset 0016h - 0017h, R/W)

Bit	R/W	Symbol	Description
15-0	R	LI_RSS	The residual samples number should be read in system memory for current descriptor. (sample: a 16-bit word)

6.14 Line-In Descriptor Base Address Register
(Offset 001Ch – 001Fh, R/W)

Bit	R/W	Symbol	Description
31-2	R/W	LI_DBA	LINE-In Descriptor Base Address [31:2].
1-0	R		LINE-In Descriptor Base Address [1:0]. Hardwired to 0.

❶ The LINE-In Descriptor Base Address (LI_DBA) points to the starting address of continuous 64 double WORD descriptor's DMA context stored in main memory.

6.15 MC'97-Link Control Register

(Offset 0020h-0021h, R/W)

Bit	R/W	Symbol	Description
15-8	-	-	Reserved
7	R/W	MCSDLB	1: MC97_SDATAIN source comes from MC97_SDATAOUT. 0: Normal (MC97_SDATAIN source comes from MC97)
6	-	-	Reserved
5	R/W	ACLINK_WPE	AC-LINK Wake-up PME# Enable: ❶❷ 1: Enable a PME# when MC'97 issues a wake-up event on MC-LINK. 0: Disable If it is disabled, AC-LINK wake-up event doesn't set PME_Status (PCR4C.15), but AC-LINK wake-up event (ACLINK_WES) is still indicated in INTSR.4.
4	R/W	ACLINK_WIE	AC-LINK Wake-up Interrupt Enable: ❶ 1: Enable an interrupt when MC'97 issues a wake-up event on AC-LINK. 0: Disable If it is disabled, AC-LINK wake-up event doesn't trigger interrupt, but AC-LINK wake-up event (ACLINK_WES) is still indicated in INTSR.4
3	R/W	ACLINK_OFF	AC-LINK Shut Off: ❷ 1: Drive all AC-LINK outputs low if AC97_BITCLK is stopped, also disable Line-In buffer. It's software's responsibility to set this bit after power-down MC'97 command to enable AC-LINK wake-up event function. It means that wake-up functions defined in bit[5:4] and ACLINK_WES (INTSR.4) will be effective when this bit is set. 0: Normal operation
2	R/W	ACLINK_WRST	MC'97 Warm Reset: 1: Writing a '1' to drive AC97_SYNC high at least 1.2us Writing a '1' to this bit only effective while AC97_BITCLK is stopped. If software wants to issue a warm reset while AC97_BITCLK is running, the write is ignored and this bit is unchanged. 0: No effect (normal) <i>This bit is auto cleared by hardware after warm reset had been issued.</i>
1	R/W	ACLINK_CRST	MC'97 Cold Reset: 1: Writing a '1' to drive AC97_RESET# low at least 1.2 us. 0: No effect (normal, AC97_RESET# kept as high.) <i>This bit is auto set by hardware after cold reset had been issued.</i>
0	R/W	GPIE	GPI Interrupt Enable: 1: The change on GPI Interrupt Status (AC-LINK status bit-0 of slot-12) will cause an interrupt on PCI interface. 0: Interrupt is not generated even GPI Interrupt Status is set.

❶ AC-LINK wake-up event: AC97_SDATAIN is resumed a high while AC-LINK signals are shut off.

❷ Bit 5 and bit 3 are sticky bits preserved by consuming power from Vaux.

6.16 MC'97-Link Status and Index Register

(Offset 0022h-0023h, R/W)

Bit	R/W	Symbol	Description
15	R	ACLINK_BZ	AC-LINK busy: 1: AC-LINK is busy on a MC'97 register read/write transaction. 0: No access is in progress It is set when controller is doing an AC-LINK read/write transaction, it is auto cleared by hardware after the transaction has been finished or

			AC-LINK Read Time-Out is set. Software should check this bit before doing an AC-LINK Read/Write command. Any written data into bit[7:0] before this bit is cleared by HW will be ignored.
14	R	MC_RDY	1: MC'97 is in ready state. This bit indicates the state of bit-15 in slot-0 of AC97_SDATAIN. 0: MC'97 is not ready.
13	R	ACLINK_RTO	AC-LINK Read Time-Out: 1: It is set when MC'97 doesn't response the read command in 4 AC-LINK frames. This bit is auto cleared by hardware when controller receive data from MC'97 in 4 frames since the read command has been issued. 0: MC'97 read completed <i>Or it is cleared when each time Command Bit (ACLINK_CB) is written.</i>
12	R	ACLINK_RD	AC-LINK Read Data is Available: 1: The read data is available 0: The read data is not available <i>This bit is set after data has been get from AC-LINK, and is cleared when each time Command Bit (ACLINK_CB) is written.</i> <i>This bit is also set when AC-LINK Read Time-Out is set, software should ignore the read back data in this case.</i>
11-10	-	-	Reserved
9	R	GPIO_BZ,	GPIO output data status: 1: Previous data has not been sent yet. 0: Previous data had been sent. This bit is set by hardware after software writes data into GPIOCR and the transaction on SDATA-OUT slot-12 has not been finished. It is auto cleared by hardware after the transaction on SDATA-OUT slot-12 had been finished.
8	R	GPIO_INT	GPIO Interrupt: ② 1: GPIO interrupt 0: no GPIO interrupt This bit reflects the state of bit 0 in Slot 12 of SDATA-IN.
7	R/W	ACLINK_CB	AC-LINK Command Bit: 1: Read mixer command 0: Write mixer command
6-0	R/W	ACLINK_CIP	AC-LINK Mixer Command Index Port

① AC-LINK wake-up event: AC97_SDATAIN is resumed a high while AC-LINK signals are shut off.

② Bit 8 reflect the real time GPIO interrupt status on SDATA-IN from MC97. It is latched from SDATA-IN input slot 12 bit 0 when data is valid.

6.17 AC-Link Data Port

(Offset 0024h - 0025h, R/W)

Bit	R/W	Symbol	Description
15-0	R/W	ACLINK_DP	Write: 16 bits mixer data written to MC'97. Read: 16 bits mixer read from MC'97.

① The written data should be sent to MC97 when writing to ACLINK_CB.

② The read data is effective if ACLINK_RD=1 (AC-LINK data is available).

③ It is mapped into different data port, any read from this port always get mixer data from MC97, not written data to MC97.

6.18 GPIO Control to MC'97

(Offset 0026h - 0027h, R/W)

Bit	R/W	Symbol	Description
15-0	R/W	GPIOOD	MC97's GPIO output data.

- ❶ Bit [15:0] control the GPIO [15:0] output of MC97. Bit 15~0 are sent on SDATA-OUT slot-12 bit 19 to bit 4.
- ❷ Software should check ACSIR.9 (GPIO_Busy) before writing data. If GPIO_Busy is set by hardware and bit[15:0] are changed, any pending data will be overwritten.

6.19 Real Time GPIO Input Data From MC'97

(Offset 0028h - 0029h, RO)

Bit	R/W	Symbol	Description
15-0	R	GPIOID	MC97's GPIO input data.

- ❶ These bits reflect the real time GPIO input status on SDATA-IN from MC97. Bit 15~0 are latched from SDATA-IN input slot 12 bit 19~4 when data is valid.
- ❷ These bits are real-time updated according to SDATA-IN slot-12 in every frame.

6.20 Interrupt Status Register

(Offset 002Ah-002Bh, R/W)

Bit	R/W	Symbol	Description
15	R/W	SERR_IE	SERR# Interrupt Enable: 1: Enable interrupt when RTL8101L signals SERR# on PCI bus 0: Disable
14	R/W	SERR_IS	SERR# Interrupt Status: 1: SERR# interrupt, RTL8101L signals SERR# on PCI bus. 0: No SERR# interrupt. This controller will generate an SERR# interrupt when (SERR_IE=1) & (SERR# Status=1, Status[14] in configuration space). Write a '1' to clear this bit and its interrupt.
13-10	-	-	Reserved
9	R/W	PCIGPIO1_IS	PCIGPIO1 Interrupt Status: 1: PCIGPIO1 interrupt. 0: No PCIGPIO1 interrupt. Write 1 to clear this status bit and its interrupt.
8	R/W	PCIGPIO0_IS	PCIGPIO0 Interrupt Status: 1: PCIGPIO0 interrupt. 0: No PCIGPIO0 interrupt. Write 1 to clear this status bit and its interrupt.
7	R/W	FIFO_ov	LINE-In's FIFO Over-run: 1: FIFO error indicates a FIFO over-run. And it will cause an interrupt if the enable bit in Control Register is set. This bit and its interrupt should be cleared by written a '1'. The data received after overrun occurs will not come into FIFO.
6	R/W	LI_Curr_End	Completion of current LINE-In's descriptor: 1: The current descriptor has sent the last sample to system memory. And it will cause an interrupt if the enable bit in Control Register is set. This bit and its interrupt should be cleared by written a '1'.
5	R/W	LI_Last_End	Completion of the last LINE-In's descriptor: 1: The last descriptor has sent the last sample to system memory. And it will cause an interrupt if the enable bit in Control Register is set. This bit and its interrupt should be cleared by written a '1'.

4	R/W	ACLINK_WES	AC-LINK Wake-up Event Status: 1: AC-LINK wake-up event occurred. 0: No wake-up event. This bit is set if ACLINK wake-up event is detected. This controller will generate an interrupt when (ACLINK_WES=1) & (ACLINK_WIE=1). Writing a '1' to clear this bit, and its interrupt. This bit will not be set when ACLINK Shut-Off (ACCR.3) is 0. Once it is set by an ACLINK wake-up event, it can only be cleared after ACLINK Shut-Off is cleared.
3	R/W	FIFO_un	LINE1-Out FIFO Under-run: 1: FIFO error indicates a FIFO under-run. And it will cause an interrupt if the enable bit in LINE1-Out's Control Register is set. This bit and its interrupt should be cleared by written a '1'.
2	R/W	LO_Curr_End	Completion of current Line1-Out's descriptor: 1: The current LINE1-Out's descriptor has got the last sample from system memory. And it will cause an interrupt if the enable bit in Control Register is set. This bit and its interrupt should be cleared by writing a '1'.
1	R/W	LO_Last_End	Completion of the last LINE1-Out's descriptor: 1: The last descriptor has got the last sample from system memory. And it will cause an interrupt if the enable bit in Control Register is set. This bit and its interrupt should be cleared by writing a '1'.
0	R/W	GPIS	MC97 GPIO Interrupt Status: 1: MC97 GPIO interrupt. The GPIO_INT (ACSIR.8) has ever been set. 0: No MC97 GPIO interrupt. This bit is set if GPIO_INT (ACSIR.8) has ever been set. This controller will generate an interrupt when (GPIS=1) & (GPIE=1). Writing a '1' will clear this bit and its interrupt.

❶ Bit 4 is sticky bit preserved by consuming power from Vaux.

❷ When PCIGPIOx pin is used as input.

6.21 PCI GPIO Setup Register

(Offset 002Ch-002Dh, R/W)

Bit	R/W	Symbol	Description
15-10	-	-	Reserved
9	R/W	PCIGPIO1_PEE	PCIGPIO1 PME# Event Enable (when PCIGPIO1 is used as input): ❶❷ 1: Enable 0: Disable A low to high transaction on PCIGPIO1 will trigger the PCI PME# in D3 state.
8	R/W	PCIGPIO0_PEE	PCIGPIO0 PME# Event Enable (when PCIGPIO0 is used as input): ❶❷ 1: Enable 0: Disable A low to high transaction on PCIGPIO0 will trigger the PCI PME# in D3 state.
7-6	-	-	Reserved
5	R/W	PCIGPIO1_IE	PCIGPIO1 interrupt Enable (when PCIGPIO1 is used as input): 1: Enable 0: Disable A low to high transaction PCIGPIO1 will trigger the PCI interrupt.
4	R/W	PCIGPIO0_IE	PCIGPIO0 interrupt Enable (when PCIGPIO0 is used as input):

			1: Enable 0: Disable A low to high transaction PCIGPIO0 will trigger the PCI interrupt.
3-2	-	-	Reserved
1	R/W	PCIGPIO1_PC	PCIGPIO1 Primitiveness Control: ② 1: Set PCIGPIO1 as output pin. 0: Set PCIGPIO1 as input pin.
0	R/W	PCIGPIO0_PC	PCIGPIO0 Primitiveness Control: ② 1: Set PCIGPIO0 as output pin. 0: Set PCIGPIO0 as input pin.

① The PME# only be asserted when RTL8101L is in D3 state.

② PCIGPIO[9:8] and PCIGPIO[1:0] are sticky bits like as PME_Status (PMCSR.15) and PME_EN (PMCSR.8) be power by Vaux.

6.22 PCI GPIO Status Register

(Offset 002Eh-002Fh, R/W)

Bit	R/W	Symbol	Description
15-10	-	-	Reserved
9	R/W	PCIGPIO1_PMES	PCIGPIO1 PME# Event Status: ❶ 1: PCIGPIO1 PME# event has been occurred in D3 state. 0: No PCIGPIO1 PME# event has been occurred in D3 state. Write a 1 to clear this status bit.
8	R/W	PCIGPIO0_PMES	PCIGPIO0 PME# Event Status: ❶ 1: PCIGPIO0 PME# event has been occurred in D3 state. 0: No PCIGPIO0 PME# event has been occurred in D3 state. Write a 1 to clear this status bit.
7-2	-	-	Reserved
1	R/W	PCIGPIO1_IOS	PCIGPIO1 Input/Output Status: ❷ 1: PCIGPIO1 is driven high by external device (input). / Drive PCIGPIO1 high (output). 0: PCIGPIO1 is driven low by external device (input). / Drive PCIGPIO1 low (output).
0	R/W	PCIGPIO0_IOS	PCIGPIO0 Input/Output Status: ❷ 1: PCIGPIO0 is driven high by external device (input). / Drive PCIGPIO0 high (output). 0: PCIGPIO0 is driven low by external device (input). / Drive PCIGPIO0 low (output).

❶ When this pin is used as input.

❷ PCIGPIOSR[9:8] and PCIGPIOSR[1:0] are sticky bits like as PME_Status (PMCSR.15) and PME_EN (PMCSR.8) be power by Vaux.

6.23 EEPROM (93C46) Command Register

(Offset 0030h, R/W)

Bit	R/W	Symbol	Description															
7-6	R/W	EEM1-0	Operating Mode: These 2 bits select the RTL8101L operating mode. <table border="1" data-bbox="724 1447 1449 1899"> <thead> <tr> <th>EEM1</th> <th>EEM0</th> <th>Operating Mode</th> </tr> </thead> <tbody> <tr> <td>0</td> <td>0</td> <td>Normal (RTL8101L network/host communication mode)</td> </tr> <tr> <td>0</td> <td>1</td> <td>Auto-load: Entering this mode will make the RTL8101L load the contents of 93C46 like when the RSTB signal is asserted. This auto-load operation will take about 2 ms. After it is completed, the RTL8101L goes back to the normal mode automatically (EEM1 = EEM0 = 0) and all the other registers are reset to default values.</td> </tr> <tr> <td>1</td> <td>0</td> <td>93C46 programming: In this mode, both network and host bus master operations are disabled. The 93C46 can be directly accessed via bit3-0 which now reflect the states of EECS, EESK, EEDI, & EEDO pins respectively.</td> </tr> <tr> <td>1</td> <td>1</td> <td>Config register write enable: Before writing to CONFIG0, 1, 3, 4 registers, and bit13, 12, 8 of BMCR(offset 62h-63h), the RTL8101L must be placed in this mode. This will prevent RTL8101L's configurations from accidental change.</td> </tr> </tbody> </table>	EEM1	EEM0	Operating Mode	0	0	Normal (RTL8101L network/host communication mode)	0	1	Auto-load: Entering this mode will make the RTL8101L load the contents of 93C46 like when the RSTB signal is asserted. This auto-load operation will take about 2 ms. After it is completed, the RTL8101L goes back to the normal mode automatically (EEM1 = EEM0 = 0) and all the other registers are reset to default values.	1	0	93C46 programming: In this mode, both network and host bus master operations are disabled. The 93C46 can be directly accessed via bit3-0 which now reflect the states of EECS, EESK, EEDI, & EEDO pins respectively.	1	1	Config register write enable: Before writing to CONFIG0, 1, 3, 4 registers, and bit13, 12, 8 of BMCR(offset 62h-63h), the RTL8101L must be placed in this mode. This will prevent RTL8101L's configurations from accidental change.
EEM1	EEM0	Operating Mode																
0	0	Normal (RTL8101L network/host communication mode)																
0	1	Auto-load: Entering this mode will make the RTL8101L load the contents of 93C46 like when the RSTB signal is asserted. This auto-load operation will take about 2 ms. After it is completed, the RTL8101L goes back to the normal mode automatically (EEM1 = EEM0 = 0) and all the other registers are reset to default values.																
1	0	93C46 programming: In this mode, both network and host bus master operations are disabled. The 93C46 can be directly accessed via bit3-0 which now reflect the states of EECS, EESK, EEDI, & EEDO pins respectively.																
1	1	Config register write enable: Before writing to CONFIG0, 1, 3, 4 registers, and bit13, 12, 8 of BMCR(offset 62h-63h), the RTL8101L must be placed in this mode. This will prevent RTL8101L's configurations from accidental change.																
4-5	-	-	Reserved															
3	R/W	EECS	These bits reflect the state of EECS, EESK, EEDI & EEDO pins in auto-load or 93C46 programming mode.															
2	R/W	EESK																

1	R/W	EEDI	
0	R	EEDO	

6.24 Context For Line-Out Descriptor

(Offset 0000h-00FFh)

Memory Address	Description
LO_DBA+0000h~0003h	DMA Address for Line-Out Descriptor 00h
LO_DBA+0004h~0007h	Buffer Size for Line-Out Descriptor 00h
LO_DBA+0008h~000Bh	DMA Address for Line-Out Descriptor 01h
LO_DBA+000Ch~000Fh	Buffer Size for Line-Out Descriptor 01h
⋮	⋮
⋮	⋮
LO_DBA+00F0h~00F3h	DMA Address for Line-Out Descriptor 1Eh
LO_DBA+00F4h~00F7h	Buffer Size for Line-Out Descriptor 1Eh
LO_DBA+00F8h~00FBh	DMA Address for Line-Out Descriptor 1Fh
LO_DBA+00FCh~00FFh	Buffer Size for Line-Out Descriptor 1Fh

6.25 Context For Line-In Descriptor

(Offset 0000h-00FFh)

Memory Address	Description
LI_DBA+0000h~0003h	DMA Address for Line-In Descriptor 00h
LI_DBA+0004h~0007h	Buffer Size for Line-In Descriptor 00h
LI_DBA+0008h~000Bh	DMA Address for Line-In Descriptor 01h
LI_DBA+000Ch~000Fh	Buffer Size for Line-In Descriptor 01h
⋮	⋮
⋮	⋮
LI_DBA+00F0h~00F3h	DMA Address for Line-In Descriptor 1Eh
LI_DBA+00F4h~00F7h	Buffer Size for Line-In Descriptor 1Eh
LI_DBA+00F8h~00FBh	DMA Address for Line-In Descriptor 1Fh
LI_DBA+00FCh~00FFh	Buffer Size for Line-In Descriptor 1Fh

6.26 Descriptor Definition

DMA Address for Line1-Out/In Descriptor X
LxDBA+00H~03H:

31		2	1	0
DMA Start Address [31:2]			0	0

Buffer Size for Line1-Out/In Descriptor X
LxDBA+04H~07H:

31	30	29		15	14		1	0
I	BU	Reserved			Buffer Length			0

DMA Start Address [31:0]:

This is the physical start address for descriptor's DMA operation.

I: When it is set to a 1 by S/W, the controller should issue an interrupt upon completion of this buffer.

BU:
If it is set to a 0, the controller should continuously send the last valid data when FIFO is under-run. (**Keep the last data, and validates the tag bit for Slot-5 on AC_DOUT**)
If it is set 1, the controller continuously send the **last invalid data** when FIFO is empty or under-run. (**Keep the last data, but invalidates the tag bit for Slot-5 on AC_DOUT**)
(The BU bit is only effective for LINE1-Out master)

Buffer Length [14:0]:
The size of data buffer is in number of 16-bit sample. So the maximum number of samples is 32767. A value of 0 means there is no sample transferred into this buffer. To achieve an efficient PCI transaction, the buffer length must be an even number.

7. EEPROM (93C46) Contents

The 93C46 is a 1K-bit EEPROM. Although it is actually addressed by words, its contents are listed below by bytes for convenience. After the valid duration of the RSTB pin or auto-load command in the 9346CR, the RTL8101L performs a series of EEPROM read operations from the 93C46 addresses 00H to 31H.

- * It is suggested to obtain Realtek approval before changing the default settings of the EEPROM.

Bytes	Contents	Description
00h	29h	These 2 bytes contain the ID code word for the RTL8101L. The RTL8101L will load the contents of EEPROM into the corresponding location if the ID word (8129h) is right, otherwise, the RTL8101L will not proceed with the EEPROM autoloading process.
01h	81h	
02h-05h	-	Reserved. The RTL8101L no longer supports autoloading of Vendor ID and Device ID. The default values of VID and DID are hex 10EC and 8139, respectively.
06h-07h	SVID	PCI Subsystem Vendor ID, PCI configuration space offset 2Ch-2Dh.
08h-09h	SMID	PCI Subsystem ID, PCI configuration space offset 2Eh-2Fh.
0Ah	MNGNT	PCI Minimum Grant Timer, PCI configuration space offset 3Eh.
0Bh	MXLAT	PCI Maximum Latency Timer, PCI configuration space offset 3Fh.
0Ch	MSRBMCR	Bits 7-6 map to bits 7-6 of the Media Status register (MSR); Bits 5, 4, 0 map to bits 13, 12, 8 of the Basic Mode Control register (BMCR); Bits 3-2 are reserved. If the network speed is set to Auto-Detect mode (i.e. Nway mode), then Bit 1=0 means the local RTL8101L supports flow control (IEEE 802.3x). In this case, Bit 10=1 in the Auto-negotiation Advertisement Register (offset 66h-67h), and Bit 1=1 means the local RTL8101L does not support flow control. In this case, Bit 10=0 in Auto-negotiation Advertisement. This is because there are Nway switch hubs which keep sending flow control pause packets for no reason, if the link partner supports Nway flow control.
0Dh	CONFIG3	RTL8101L Configuration register 3, operational register offset 59H.
0Eh-13h	Ethernet ID	Ethernet ID, After auto-load command or hardware reset, RTL8101L loads Ethernet ID to IDR0-IDR5 of RTL8101L's I/O registers.
14h	CONFIG0	RTL8101L Configuration register 0, operational registers offset 51h.
15h	CONFIG1	RTL8101L Configuration register 1, operational registers offset 52h.
16h-17h	PMC	Reserved. Do not change this field without Realtek approval. Power Management Capabilities. PCI configuration space address 52h and 53h.
18h	PMCSR	Reserved. Do not change this field without Realtek approval. Power Management Control/Status. PCI configuration space address 55h.
19h	CONFIG4	Reserved. Do not change this field without Realtek approval. RTL8101L Configuration register 4, operational registers offset 5Ah.
1Ah-1Dh	PHY1_PARM_U	Reserved. Do not change this field without Realtek approval. PHY Parameter 1-U for RTL8101L. Operational registers of the RTL8101L are from 78h to 7Bh.
1Eh	PHY2_PARM_U	Reserved. Do not change this field without Realtek approval. PHY Parameter 2-U for RTL8101L. Operational register of the RTL8101L is 80h.

1Fh	CONFIG_5	<p>Do not change this field without Realtek approval.</p> <p>Bit7-6: Reserved.</p> <p>Bit5-4: Multi-function Select: 00b: Ethernet Controller Only 01b: MC'97 Controller Only 10b: Ethernet+MC'97 Controllers 11b: After ver F Ethernet+Auto detect MC'97 Controllers If 8101L detected MC'97 clock the 8101L set to Multi-function. Otherwise it set to Ethernet only. Only detect the MC'97 while power on reset. From A to E version: Ethernet+MC'97 Controllers</p> <p>Bit3: Reserved.</p> <p>Bit2: Link Down Power Saving mode: Set to 1: Disable. Set to 0: Enable. When cable is disconnected(Link Down), the analog part will power down itself (PHY Tx part & part of twister) automatically except PHY Rx part and part of twister to monitor SD signal in case that cable is re-connected and Link should be established again.</p> <p>Bit1: LANWake signal Enable/Disable Set to 1: Enable LANWake signal. Set to 0: Disable LANWake signal.</p> <p>Bit0: PME_Status bit property Set to 1: The PME_Status bit can be reset by PCI reset or by software if D3cold_support_PME is 0. If D3cold_support_PME=1, the PME_Status bit is a sticky bit. Set to 0: The PME_Status bit is always a sticky bit and can only be reset by software.</p>
20h-21h	MC97_VID	Vendor ID of MC'97 Controller.
22h-23h	MC97_DID	Device ID of MC'97 Controller.
24h-25h	MC97_SVID	Sub-Vendor ID of MC'97 Controller.
26h-27h	MC97_SDID	Sub-Device ID of MC'97 Controller.
28h-2Bh	PHY1_PARM_T	Reserved. Do not change this field without Realtek approval. PHY Parameter 1-T for RTL8101L. Operational registers of the RTL8101L are from 78h to 7Bh.
2Ch	PHY2_PARM_T	Reserved. Do not change this field without Realtek approval.
2Dh-31h	-	Reserved.
32h-33h	Checksum	Reserved. Do not change this field without Realtek approval. Checksum of the EEPROM content.
34h-3Eh	-	Reserved. Do not change this field without Realtek approval.
3Fh	PXE_Para	Reserved. Do not change this field without Realtek approval. PXE ROM code parameter.
40h-7Fh	VPD_Data	VPD data field. Offset 40h is the start address of the VPD data.

7.1 Summary of RTL8101L's EEPROM registers

Offset	Name	Type	Bit7	Bit6	Bit5	Bit4	Bit3	Bit2	Bit1	Bit0
00h-05h	IDR0 – IDR5	R/W*								
51h	CONFIG0	R		-	-	-	-	BS2	BS1	BS0
		W*	-	-	-	-	-	-	-	-
52h	CONFIG1	R	LEDS1	LEDS0	DVRLOAD	LWACT	MEMMAP	IOMAP	VPD	PMEN
		W*	LEDS1	LEDS0	DVRLOAD	LWACT	-	-	VPD	PMEN
58h	MSRBMCR	R	TxFCE	RxFCE	-	-	-	-		
		W*	TxFCE	RxFCE	-	-	-	-		
63H	MSRBMCR	R	-	-	Spd_Set	ANE	-	-	-	FUDUP
		W*	-	-	Spd_Set	ANE	-	-	-	FUDUP
59h	CONFIG3	R	GNTDel	PARM_EN	Magic	LinkUp	-	-	-	FBtBEn
		W*	-	PARM_EN	Magic	LinkUp	-	-	-	-
5Ah	CONFIG4	R/W*	RxFIFO AutoClr	AnaOff	LongWF	LWPME	-	LWPTN	-	-
78h-7Bh	PHY1_PARM	R/W**	32 bit Read Write							
7Ch-7Fh	TW1_PARM	R/W**	32 bit Read Write							
	TW2_PARM	R/W**	32 bit Read Write							
80h	PHY2_PARM	R/W**	8 bit Read Write							
D8h	CONFIG5	R/W*	-	-	-	-	-	LDPS	LANWake	PME_STS

* The registers marked with type = 'W*' can be written only if bits EEM1=EEM0=1.

** The registers marked with type = 'W**' can be written only if bits EEM1=EEM0=1 and CONFIG3<PARM_EN> = 0.

7.2 Summary of EEPROM Power Management registers

Configuration Space offset	Name	Type	Bit7	Bit6	Bit5	Bit4	Bit3	Bit2	Bit1	Bit0
52h	PMC	R	Aux_I_b1	Aux_I_b0	DSI	Reserved	PMECLK	Version		
53h		R	PME_D3_cold	PME_D3_hot	PME_D2	PME_D1	PME_D0	D2	D1	Aux_I_b2
55h	PMCSR	R	PME_Status	-	-	-	-	-	-	PME_En
		W	PME_Status	-	-	-	-	-	-	PME_En

8. PCI Configuration Space Registers

8.1 PCI Configuration Space Table

No.	Name	Type	Bit7	Bit6	Bit5	Bit4	Bit3	Bit2	Bit1	Bit0
00h	VID	R	1	1	1	0	1	1	0	0
01h		R	0	0	0	1	0	0	0	0
02h	DID	R	0	0	1	1	1	0	0	1
03h		R	1	0	0	0	0	0	0	1
04h	Command	R	0	PERRSP	0	0	-	BMEN	MEMEN	IOEN
		W	-	PERRSP	-	-	-	BMEN	MEMEN	IOEN
05h		R	0	0	0	0	0	0	FBTBEN	SERREN
		W	-	-	-	-	-	-	-	SERREN
06h	Status	R	FBBC	0	0	NewCap	0	0	0	0
07h		R	DPERR	SSERR	RMABT	RTABT	STABT	DST1	DST0	DPD
	W	DPERR	SSERR	RMABT	RTABT	STABT	-	-	DPD	
08h	Revision ID	R	0	0	0	0	0	0	0	0
09h	PIFR	R	0	0	0	0	0	0	0	0
0Ah	SCR	R	0	0	0	0	0	0	0	0
0Bh	BCR	R	0	0	0	0	0	0	1	0
0Ch	CLS	R	0	0	0	0	0	0	0	0
0Dh	LTR	R	LTR7	LTR6	LTR5	LTR4	LTR3	LTP2	LTR1	LTR0
		W	LTR7	LTR6	LTR5	LTR4	LTR3	LTP2	LTR1	LTR0
0Eh	HTR	R	0	0	0	0	0	0	0	0
0Fh	BIST	R	0	0	0	0	0	0	0	0
10h	IOAR	R	0	0	0	0	0	0	0	IOIN
		W	-	-	-	-	-	-	-	-
11h		R/W	IOAR15	IOAR14	IOAR13	IOAR12	IOAR11	IOAR10	IOAR9	IOAR8
12h		R/W	IOAR23	IOAR22	IOAR21	IOAR20	IOAR19	IOAR18	IOAR17	IOAR16
13h		R/W	IOAR31	IOAR30	IOAR29	IOAR28	IOAR27	IOAR26	IOAR25	IOAR24
14h	MEMAR	R	0	0	0	0	0	0	0	MEMIN
		W	-	-	-	-	-	-	-	-
15h		R/W	MEM15	MEM14	MEM13	MEM12	MEM11	MEM10	MEM9	MEM8
16h		R/W	MEM23	MEM22	MEM21	MEM20	MEM19	MEM18	MEM17	MEM16
17h		R/W	MEM31	MEM30	MEM29	MEM28	MEM27	MEM26	MEM25	MEM24
18h-2Bh	RESERVED									
2Ch	SVID	R	SVID7	SVID6	SVID5	SVID4	SVID3	SVID2	SVID1	SVID0
		R	SVID15	SVID14	SVID13	SVID12	SVID11	SVID10	SVID9	SVID8
2Eh	SMID	R	SMID7	SMID6	SMID5	SMID4	SMID3	SMID2	SMID1	SMID0
		R	SMID15	SMID14	SMID13	SMID12	SMID11	SMID10	SMID9	SMID8
30h	BMAR	R	0	0	0	0	0	0	0	BROMEN
		W	-	-	-	-	-	-	-	BROMEN
31h		R	BMAR15	BMAR14	BMAR13	BMAR12	BMAR11	0	0	0
		W	BMAR15	BMAR14	BMAR13	BMAR12	BMAR11	-	-	-
32h		R/W	BMAR23	BMAR22	BMAR21	BMAR20	BMAR19	BMAR18	BMAR17	BMAR16
33h		R/W	BMAR31	BMAR30	BMAR29	BMAR28	BMAR27	BMAR26	BMAR25	BMAR24
34h	Cap_Ptr	R	0	1	0	1	0	0	0	0
35h-3Bh	RESERVED									
3Ch	ILR	R/W	ILR7	ILR6	ILR5	ILR4	ILR3	ILR2	ILR1	ILR0
3Dh	IPR	R	0	0	0	0	0	0	0	1

3Eh	MNGNT	R	0	0	1	0	0	0	0	0
3Fh	MXLAT	R	0	0	1	0	0	0	0	0
40h-4Fh	RESERVED									
50h	PMID	R	0	0	0	0	0	0	0	1
51h	NextPtr	R	0	0	0	0	0	0	0	0
52h	PMC	R	Aux_I_b1	Aux_I_b0	DSI	Reserved	PMECLK	Version		
53h		R	PME_D3_cold	PME_D3_hot	PME_D2	PME_D1	PME_D0	D2	D1	Aux_I_b2
54h	PMCSR	R	0	0	0	0	0	0	Power State	
		W	-	-	-	-	-	-	Power State	
55h		R	PME_Status	-	-	-	-	-	-	PME_En
		W	PME_Status	-	-	-	-	-	-	PME_En
56h-5Fh	RESERVED									
60h	VPDID	R	0	0	0	0	0	0	1	1
61h	NextPtr	R	0	0	0	0	0	0	0	0
62h	Flag VPD Address	R/W	VPDADDR 7	VPDADDR 6	VPDADD R5	VPDADD R4	VPDADD R3	VPDADD R2	VPDADD R1	VPDADD R0
63h		R/W	Flag	VPDADDR 14	VPDADD R13	VPDADD R12	VPDADD R11	VPDADD R10	VPDADD R9	VPDADD R8
64h	VPD Data	R/W	Data7	Data6	Data5	Data4	Data3	Data2	Data1	Data0
65h		R/W	Data15	Data14	Data13	Data12	Data11	Data10	Data9	Data8
66h		R/W	Data23	Data22	Data21	Data20	Data19	Data18	Data17	Data16
67h		R/W	Data31	Data30	Data29	Data28	Data27	Data26	Data25	Data24
68h-Fh	RESERVED									

8.2 PCI Configuration Space functions

The PCI configuration space is intended for configuration, initialization, and catastrophic error handling functions. The functions of the RTL8101L's configuration space are described below.

VID: Vendor ID. This field will default to a value of 10ECh which is Realtek Semiconductor's PCI Vendor ID.

DID: Device ID. This field will default to a value of 8139h.

Command: The command register is a 16-bit register used to provide coarse control over a device's ability to generate and respond to PCI cycles.

Bit	Symbol	Description
15-10	-	Reserved
9	FBTBEN	Fast Back-To-Back Enable: Config3<FBtBEN>=0: Read as 0. Write operation has no effect. The RTL8101L will not generate Fast Back-to-back cycles. When Config3<FbtBEN>=1, This read/write bit controls whether or not a master can do fast back-to-back transactions to different devices. Initialization software will set the bit if all targets are fast back-to-back capable. A value of 1 means the master is allowed to generate fast back-to-back transaction to different agents. A value of 0 means fast back-to-back transactions are only allowed to the same agent. This bit's state after RST# is 0.
8	SERREN	System Error Enable: When set to 1, the RTL8101L asserts the SERRB pin when it detects a parity error on the address phase (AD<31:0> and CBEB<3:0>).
7	ADSTEP	Address/Data Stepping: Read as 0, write operation has no effect. The RTL8101L never make address/data stepping.
6	PERRSP	Parity Error Response: When set to 1, the RTL8101L will assert the PERRB pin on the detection of a data parity error when acting as the target, and will sample the PERRB pin as the master. When set to 0, any detected parity error is ignored and the RTL8101L continues normal operation. Parity checking is disabled after hardware reset (RSTB).
5	VGASNOOP	VGA palette SNOOP: Read as 0, write operation has no effect.

4	MWIEN	Memory Write and Invalidate cycle Enable: Read as 0, write operation has no effect.
3	SCYCEN	Special Cycle Enable: Read as 0, write operation has no effect. The RTL8101L ignores all special cycle operation.
2	BMEN	Bus Master Enable: When set to 1, the RTL8101L is capable of acting as a bus master. When set to 0, it is prohibited from acting as a PCI bus master. For the normal operation, this bit must be set by the system BIOS.
1	MEMEN	Memory Space Access: When set to 1, the RTL8101L responds to memory space accesses. When set to 0, the RTL8101L ignores memory space accesses.
0	IOEN	I/O Space Access: When set to 1, the RTL8101L responds to IO space access. When set to 0, the RTL8101L ignores I/O space accesses.

Status: The status register is a 16-bit register used to record status information for PCI bus related events. Reads to this register behave normally. Writes are slightly different in that bits can be reset, but not set.

Bit	Symbol	Description
15	DPERR	Detected Parity Error: When set indicates that the RTL8101L detected a parity error, even if parity error handling is disabled in command register PERRSP bit.
14	SSERR	Signaled System Error: When set indicates that the RTL8101L asserted the system error pin, SERRB. Writing a 1 clears this bit to 0.
13	RMABT	Received Master Abort: When set indicates that the RTL8101L terminated a master transaction with master abort. Writing a 1 clears this bit to 0.
12	RTABT	Received Target Abort: When set indicates that the RTL8101L master transaction was terminated due to a target abort. Writing a 1 clears this bit to 0.
11	STABT	Signaled Target Abort: Set to 1 whenever the RTL8101L terminates a transaction with target abort. Writing a 1 clears this bit to 0.
10-9	DST1-0	Device Select Timing: These bits encode the timing of DEVSELB. They are set to 01b (medium), indicating the RTL8101L will assert DEVSELB two clocks after FRAMEB is asserted.
8	DPD	Data Parity error Detected: This bit sets when the following conditions are met: ※ The RTL8101L asserts parity error(PERRB pin) or it senses the assertion of PERRB pin by another device. ※ The RTL8101L operates as a bus master for the operation that caused the error. ※ The Command register PERRSP bit is set. Writing a 1 clears this bit to 0.
7	FBBC	Fast Back-To-Back Capable: Config3<FbtBEN>=0, Read as 0, write operation has no effect. Config3<FbtBEN>=1, Read as 1.
6	UDF	User Definable Features Supported: Read as 0, write operation has no effect. The RTL8101L does not support UDF.
5	66MHz	66 MHz Capable: Read as 0, write operation has no effect. The RTL8101L has no 66MHz capability.
4	NewCap	New Capability: Config3<PMEn>=0, Read as 0, write operation has no effect. Config3<PMEn>=1, Read as 1.
0-3	-	Reserved

RID: Revision ID Register

The Revision ID register is an 8-bit register that specifies the RTL8101L controller revision number.

PIFR: Programming Interface Register

The programming interface register is an 8-bit register that identifies the programming interface of the RTL8101L controller. Because the PCI version 2.1 specification does not define any specific value for network devices, PIFR = 00h.

SCR: Sub-Class Register

The Sub-class register is an 8-bit register that identifies the function of the RTL8101L. SCR = 00h indicates that the RTL8101L is an Ethernet controller.

BCR: Base-Class Register

The Base-class register is an 8-bit register that broadly classifies the function of the RTL8101L. BCR = 02h indicates that the RTL8101L is a network controller.

CLS: Cache Line Size

Reads will return a 0, writes are ignored.

LTR: Latency Timer Register

Specifies, in units of PCI bus clocks, the value of the latency timer of the RTL8101L.

When the RTL8101L asserts FRAMEB, it enables its latency timer to count. If the RTL8101L deasserts FRAMEB prior to count expiration, the content of the latency timer is ignored. Otherwise, after the count expires, the RTL8101L initiates transaction termination as soon as its GNTB is deasserted. Software is able to read or write, and the default value is 00H.

HTR: Header Type Register

Reads will return a 0, writes are ignored.

BIST: Built-in Self Test

Reads will return a 0, writes are ignored.

IOAR: This register specifies the BASE IO address which is required to build an address map during configuration. It also specifies the number of bytes required as well as an indication that it can be mapped into IO space.

Bit	Symbol	Description
31-8	IOAR31-8	BASE IO Address: This is set by software to the Base IO address for the operational register map.
7-2	IOSIZE	Size Indication: Read back as 0. This allows the PCI bridge to determine that the RTL8101L requires 256 bytes of IO space.
1	-	Reserved
0	IOIN	IO Space Indicator: Read only. Set to 1 by the RTL8101L to indicate that it is capable of being mapped into IO space.

MEMAR: This register specifies the base memory address for memory accesses to the RTL8101L operational registers. This register must be initialized prior to accessing any RTL8101L's register with memory access.

Bit	Symbol	Description
31-8	MEM31-8	Base Memory Address: This is set by software to the base address for the operational register map.
7-4	MEMSIZE	Memory Size: These bits return 0, which indicates that the RTL8101L requires 256 bytes of Memory Space.
3	MEMPF	Memory Prefetchable: Read only. Set to 0 by the RTL8101L.
2-1	MEMLOC	Memory Location Select: Read only. Set to 0 by the RTL8101L. This indicates that the base register is 32-bit wide and can be placed anywhere in the 32-bit memory space.
0	MEMIN	Memory Space Indicator: Read only. Set to 0 by the RTL8101L to indicate that it is capable of being mapped into memory space.

SVID: Subsystem Vendor ID. This field will be set to a value corresponding to PCI Subsystem Vendor ID in the external EEPROM. If there is no EEPROM, this field will default to a value of 10ECh which is Realtek Semiconductor's PCI Subsystem Vendor ID.

SMID: Subsystem ID. This field will be set to value corresponding to PCI Subsystem ID in the external EEPROM. If there is no EEPROM, this field will default to a value of 8139h.

BMAR: This register specifies the base memory address for memory accesses to the RTL8139C(L) operational registers. This register must be initialized prior to accessing any RTL8139C(L)'s register with memory access.

Bit	Symbol	Description
31-18	BMAR31-18	Boot ROM Base Address
17-11	ROMSIZE	These bits indicate how many Boot ROM spaces to be supported. The Relationship between Config 0 <BS2:0> and BMAR17-11 is the following: BS2 BS1 BS0 Description 0 0 0 No Boot ROM, BROMEN=0 (R) 0 0 1 8K Boot ROM, BROMEN (R/W), BMAR12-11 = 0 (R), BMAR17-13 (R/W) 0 1 0 16K Boot ROM, BROMEN (R/W), BMAR13-11 = 0 (R), BMAR17-14 (R/W) 0 1 1 32K Boot ROM, BROMEN (R/W), BMAR14-11 = 0 (R), BMAR17-15 (R/W) 1 0 0 64K Boot ROM, BROMEN (R/W), BMAR15-11 = 0 (R), BMAR17-16 (R/W) 1 0 1 128K Boot ROM, BROMEN(R/W), BMAR16-11=0 (R), BMAR17 (R/W) 1 1 0 unused 1 1 1 unused

10-1	-	Reserved (read back 0)
0	BROMEN	Boot ROM Enable: This is used by the PCI BIOS to enable accesses to Boot ROM.

ILR: Interrupt Line Register

The Interrupt Line Register is an 8-bit register used to communicate with the routing of the interrupt. It is written by the POST software to set interrupt line for the RTL8101L.

IPR: Interrupt Pin Register

The Interrupt Pin register is an 8-bit register indicating the interrupt pin used by the RTL8101L. The RTL8101L uses INTA interrupt pin. Read only. IPR = 01H.

MNGNT: Minimum Grant Timer: Read only

Specifies how long a burst period the RTL8101L needs at 33 MHz clock rate in units of 1/4 microsecond. This field will be set to a value from the external EEPROM. If there is no EEPROM, this field will default to a value of 20h.

MXLAT: Maximum Latency Timer: Read only

Specifies how often the RTL8101L needs to gain access to the PCI bus in unit of 1/4 microsecond. This field will be set to a value from the external EEPROM. If there is no EEPROM, this field will default to a value of 20h.

Cap_ID: Capability ID: Read only

Read as 01h (PCI bus power management capability ID)

Next_Item_Ptr: Next Item Pointer: Read only

Read as 00h (Last capability list)

Power Management Capabilities:

Bit	Type	Function
15	R	Read as 1 (PME# can be asserted from D3_{cold}) ^❶
14	R	Read as 1 (PME# can be asserted from D3_{hot})
13	R	Read as 0 (PME# can not be asserted from D2)
12	R	Read as 0 (PME# can not be asserted from D1)
11	R	Read as 0 (PME# can not be asserted from D0)
10	R	Read as 0 (Not support D2 state)
9	R	Read as 0 (Not support D1 state)
8:6	R	Read as 010 (consume maximum 100mA from V_{aux}) ^❶
5	R	Read as 1 (Device Specific Initialization (DSI) required)
4	R	Read as 0
3	R	Read as 0 (PCI clock is not required for PME# operation)
2:0	R	Read as 010b (PCI Power Management Interface Specification Revision 1.1)

❶ Once **V_{aux}** is not supplied, bit[15] read as 0 to indicates **PME#** is not supported in **D3_{cold}**, and bit[8:6] read as 000b.

PMCSR:

Bit	Type	Function
15	R/W	PME_Status : 0 : Normal 1 : PME# asserted
14:13	R	Data_Scale : Read as 00b
12:9	R	Data_Select : Read as 0000b
8	R/W	PME_En : 0 : Disable 1 : Enable
7:2	R	Read as 0
1:0	R/W	PowerState : 00: D0 01:Reserved 10:Reserved 11: D3_{hot}

❶ Write a "1" to bit 15 will clear it and cause the function to stop asserting **PME#**. Write a "0" has no effect. **Note that bit 15 is independent of bit 8.**

❷ Write "01" and "10" to bit 1,0 has no effect to RTL8101L. RTL8101L terminate the cycle normally and discard the data (bit 1,0 only).

❸ Bit 15 and bit 8 are sticky which means indeterminate after system reset. System OS should clear them after boot. These 2 bits consume power from **V_{aux}**. Bits except bit 15/8 consume power from normal power source.

❹ Because only PCI 2.2 support auxiliary power **V_{aux}**, chip designer must pay attention to the interface of **PME#** related circuit and non-**PME#** related circuit.

8.3 The Default Value after Power-on(RSTB asserted)

PCI Configuration Space Table

No.	Name	Type	Bit7	Bit6	Bit5	Bit4	Bit3	Bit2	Bit1	Bit0
00h	VID	R	1	1	1	0	1	1	0	0
01h		R	0	0	0	1	0	0	0	0
02h	DID	R	0	0	1	1	1	0	0	1
03h		R	1	0	0	0	0	0	0	1
04h	Command	R	0	0	0	0	0	0	0	0
		W	-	PERRSP	-	-	-	BMEN	MEMEN	IOEN
05h		R	0	0	0	0	0	0	0	0
		W	-	-	-	-	-	-	-	SERREN
06h	Status	R	0	0	0	NewCap	0	0	0	0
07h		R	0	0	0	0	0	0	1	0
		W	DPERR	SSERR	RMABT	RTABT	STABT	-	-	DPD
08h	Revision ID	R	0	0	0	0	0	0	0	0
09h	PIFR	R	0	0	0	0	0	0	0	0
0Ah	SCR	R	0	0	0	0	0	0	0	0
0Bh	BCR	R	0	0	0	0	0	0	1	0
0Ch	CLS	R	0	0	0	0	0	0	0	0
0Dh	LTR	R	0	0	0	0	0	0	0	0
		W	LTR7	LTR6	LTR5	LTR4	LTR3	LTP2	LTR1	LTR0
0Eh	HTR	R	0	0	0	0	0	0	0	0
0Fh	BIST	R	0	0	0	0	0	0	0	0
10h	IOAR	R	0	0	0	0	0	0	0	1
11h		R/W	0	0	0	0	0	0	0	0
12h		R/W	0	0	0	0	0	0	0	0
13h		R/W	0	0	0	0	0	0	0	0
14h	MEMAR	R	0	0	0	0	0	0	0	0
15h		R/W	0	0	0	0	0	0	0	0
16h		R/W	0	0	0	0	0	0	0	0
17h		R/W	0	0	0	0	0	0	0	0
18h 2Bh	RESERVED(ALL 0)									
2Ch	SVID	R	1	1	1	0	1	1	0	0
2Dh		R	0	0	0	1	0	0	0	1
2Eh	SMID	R	0	0	1	1	1	0	0	1
2Fh		R	1	0	0	0	0	0	0	1
30h	BMAR	R	0	0	0	0	0	0	0	BROMEN
		W	-	-	-	-	-	-	-	BROMEN
31h		R	BMAR15	BMAR14	BMAR13	BMAR12	BMAR11	0	0	0
		W	BMAR15	BMAR14	BMAR13	BMAR12	BMAR11	-	-	-
32h		R/W	BMAR23	BMAR22	BMAR21	BMAR20	BMAR19	BMAR18	BMAR17	BMAR16
33h		R/W	BMAR31	BMAR30	BMAR29	BMAR28	BMAR27	BMAR26	BMAR25	BMAR24
34h	Cap-Ptr	R	Ptr7	Ptr6	Ptr5	Ptr4	Ptr3	Ptr2	Ptr1	Ptr0
35h 3Bh	RESERVED(ALL 0)									
3Ch	ILR	R/W	0	0	0	0	0	0	0	0

3Dh	IPR	R	0	0	0	0	0	0	0	1
3Eh	MNGNT	R	0	0	1	0	0	0	0	0
3Fh	MXLAT	R	0	0	1	0	0	0	0	0
40h FFh	-	RESERVED(ALL 0)								

8.4 PCI Power Management functions

The RTL8101L is compliant to ACPI (Rev 1.1), PCI Power Management (Rev 1.1), and Device Class Power Management Reference Specification (V1.0a), such as to support an OS Directed Power Management (OSPM) environment. To support this, the RTL8101L provides the following capabilities:

- The RTL8101L can monitor the network for a Wakeup Frame, a Magic Packet, or a Link Change, and notify the system via PME# when such a packet or event arrives. Then, the whole system can be restored to a working state to process the incoming jobs.
- The RTL8101L can be isolated from the PCI bus automatically with the auxiliary power circuit when the PCI bus is in B3 state, i.e. the power on the PCI bus is removed. When the motherboard includes a built-in RTL8101L single-chip fast Ethernet controller, the RTL8101L can be disabled when needed by pulling the isolate pin low to 0V.

When the RTL8101L is in power down mode (D1 ~ D3),

- ◆ The Rx state machine is stopped, and the RTL8101L keeps monitoring the network for wakeup event such Magic Packet, Wakeup Frame, and/or Link Change, in order to wake up the system. When in power down mode, the RTL8101L will not reflect the status of any incoming packet in the ISR register and will not receive any packets into the Rx FIFO.
- ◆ The FIFO status and the packets which are already received into Rx FIFO before entering into power down mode, are kept by the RTL8101L during power down mode
- ◆ The transmission is stopped. The action of PCI bus master mode is stopped as well. The Tx FIFO is kept.
- ◆ After restoration to a D0 state, the PCI bus master mode continues to transfer the data, which is not yet moved into the Tx FIFO from the last break. The packet that was not transmitted completely last time is transmitted again.

D3cold_support_PME bit(bit15, PMC register) & Aux_I_b2:0 (bit8:6, PMC register) in PCI configuration space.

If 9346 D3cold_support_PME bit(bit15, PMC) = 1, the above 4 bits depend on the existence of Aux power.

If 9346 D3cold_support_PME bit(bit15, PMC) = 0, the above 4 bits are all 0's.

Ex.:

1. If 9346 D3c_support_PME = 1,
 - Aux. power exists, then PMC in PCI config space is the same as 9346 PMC, i.e. if 9346 PMC = C2 F7, then PCI PMC = C2 F7.
 - Aux. power is absent, then PMC in PCI config space is the same as 9346 PMC except the above 4 bits are all 0's. I.e. if 9346 PMC = C2 F7, the PCI PMC = 02 76.
 - * In this case, if wakeup support is desired when the main power is off, it is suggested that the 9346 PMC be set to: C2 F7 (RT 9346 default value). It is not recommended to set the D0_support_PME bit to "1".
2. If 9346 D3c_support_PME = 0,
 - Aux. power exists, then PMC in PCI config space is the same as 9346 PMC. I.e. if 9346 PMC = C2 77, then PCI PMC = C2 77.
 - Aux. power is absent, then PMC in PCI config space is the same as 9346 PMC except the above 4 bits are all 0's. I.e. if 9346 PMC = C2 77, the PCI PMC = 02 76.
 - * In this case, if wakeup support is not desired when the main power is off, it is suggested that the 9346 PMC to be 02 76. It is not recommended to set the D0_support_PME bit to "1".

Link Wakeup occurs only when the following conditions are met:

- ◆ The LinkUp bit (CONFIG3#4) is set to 1, the PMEn bit (CONFIG1#0) is set to 1, and the RTL8101L is in isolation state, or the PME# can be asserted in current power state.

- ◆ The Link status is re-established.

Magic Packet Wakeup occurs only when the following conditions are met:

- ◆ The destination address of the received Magic Packet matches.
- ◆ The received Magic Packet does not contain a CRC error.
- ◆ The Magic bit (CONFIG3#5) is set to 1, the PMEn bit (CONFIG1#0) is set to 1, and the RTL8101L is in isolation state, or the PME# can be asserted in current power state.
- ◆ The Magic Packet pattern matches, i.e. $6 * FFh + MISC(\text{can be none}) + 16 * DID(\text{Destination ID})$ in any part of a valid (Fast) Ethernet packet.

Wakeup Frame event occurs only when the following conditions are met:

- ◆ The destination address of the received Wakeup Frame matches.
- ◆ The received Wakeup Frame does not contain a CRC error.
- ◆ The PMEn bit (CONFIG1#0) is set to 1.
- ◆ The **8-bit CRC*** (or **16-bit CRC**) of the received Wakeup Frame matches with the **8-bit CRC*** (or **16-bit CRC**) of the sample Wakeup Frame pattern received from the local machine's OS.
- ◆ The **last masked byte**** of the received Wakeup Frame matches with the **last masked byte**** of the sample Wakeup Frame pattern provided by the local machine's OS. (In Long Wakeup Frame mode, the last masked byte field is replaced with the high byte of the 16-bit CRC.)

- **8-bit CRC:**

This 8-bit CRC logic is used to generate an 8-bit CRC from the masked bytes of the received Wakeup Frame packet within offset 12 to 75. Software should calculate the 8-bit Power Management CRC for each specific sample wakeup frame and store the calculated CRC in the corresponding CRC register for the RTL8101L to check if there is Wakeup Frame packet coming in.

- **16-bit CRC: (Long Wakeup Frame mode, the mask bytes cover from offset 0 to 127)**

Long Wakeup Frame: The RTL8101L also supports 3 long Wakeup Frames. If the range of mask bytes of the sample Wakeup Frame, passed down by the OS to the driver, exceeds the range from offset 12 to 75, the related registers of wakeup frame 2 and 3 can be merged to support one long wakeup frame by setting the LongWF (bit0, CONFIG4). Thus, the range of effective mask bytes extends from offset 0 to 127. The low byte and high byte of calculated 16-bit CRC should be put into register CRC2 and LSBCRC2 respectively. The mask bytes (16 bytes) should be store to register Wakeup2 and Wakeup3. The CRC3 and LSBCRC3 have no meaning in this case and should be reset to 0. long Wakeup Frame pairs, are frames 4 and 5, and frames 6 and 7. The CRC5, CRC7, LSBCRC5, and LSBCRC7 have no meaning in this case and should be reset to 0, if the RTL8101L is set to support long Wakeup Frame. In this case, the RTL8101L support 5 wakeup frames, that are 2 normal wakeup frames and 3 long wakeup frames.

**** last masked byte:**

The last byte of the masked bytes of the received Wakeup Frame packet within offset 12 to 75 (in 8-bit CRC mode) should match with the last byte of the masked bytes of the sample Wakeup Frame provided by the local machine's OS.

The PME# signal is asserted only when the following are met:

- ◆ The PMEn bit (bit0, CONFIG1) is set to 1.
- ◆ The PME_En bit (bit8, PMCSR) in PCI Configuration Space is set to 1.
- ◆ The RTL8101L may assert PME# in current power state, or the RTL8101L is in isolation state. Refer to PME_Support(bit15-11) of the PMC register in PCI Configuration Space.
- ◆ Magic Packet, LinkUp, or Wakeup Frame has occurred.

* Writing a 1 to the PME_Status (bit15) of PMCSR register in the PCI Configuration Space will clear this bit and cause the RTL8101L to stop asserting a PME# (if enabled).

When the RTL8101L is in power down mode, ex. D1-D3, the IO, MEM, and Boot ROM space are all disabled. After RST# asserted, the power state must be changed to D0 if the original power state is D3_{cold}. There is no hardware enforced delays at RTL8101L's power state. When in ACPI mode, the RTL8101L does not support PME from D0 (owing to the setting of PMC register. This setting comes from EEPROM).

The RTL8101L also supports the LAN WAKE-UP function. The LWAKE pin is used to notify the motherboard to execute the wake-up process whenever the RTL8101L receives a wakeup event, such as Magic Packet.

The LWAKE signal is asserted according the following setting:

- ◆ LWPME bit (bit4, CONFIG4):
 - 0: The LWAKE is asserted whenever there is wakeup event occurs.
 - 1: The LWAKE can only be asserted when the PMEB is asserted and the ISOLATEB is low.
- ◆ Bit1 of DELAY byte(offset 1Fh, EEPROM):
 - 0: LWAKE signal is disabled.
 - 1: LWAKE signal is enabled

8.5 VPD (Vital Product Data)

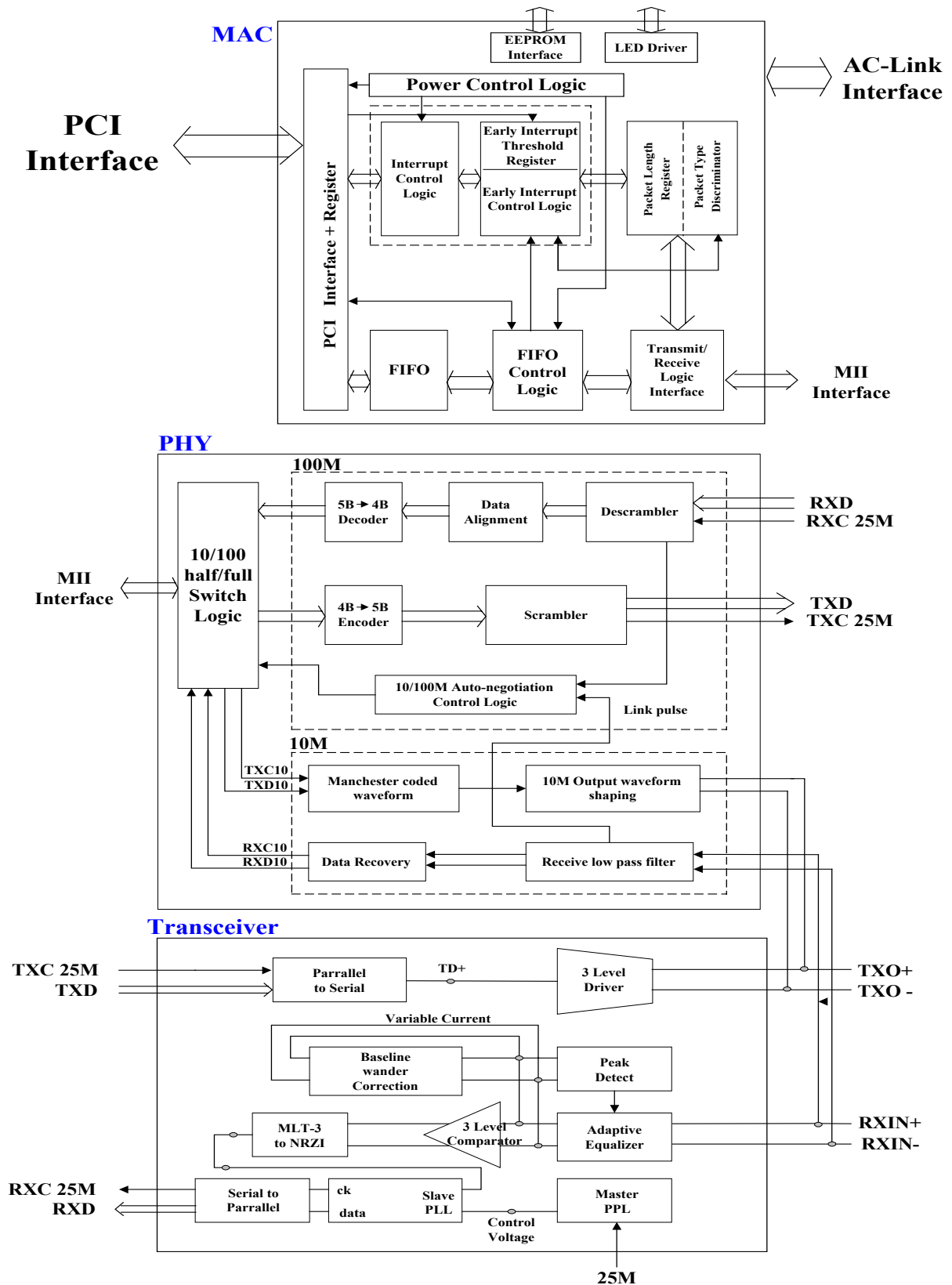
Bit 31 of the VPD is used to issue VPD read/write commands and is also a flag used to indicate whether the transfer of data between the VPD data register and the 93C46 is completed or not.

1. Write VPD register: (write data to 93C46)

Write the flag bit to a one at the same time the VPD address is written. When the flag bit is set to zero by the RTL8101L, the VPD data (all 4 bytes) has been transferred from the VPD data register to the 93C46.
2. Read VPD register: (read data from 93C46)

Write the flag bit to a zero at the same time the VPD address is written. When the flag bit is set to one by the RTL8101L, the VPD data (all 4 bytes) has been transferred from 93C46 to the VPD data register.

9. Block Diagram



10. Functional Description

10.1 Transmit operation

The host CPU initiates a transmit by storing an entire packet of data in one of the descriptors in the main memory. When the entire packet has been transferred to the Tx buffer, the RTL8101L is instructed to move the data from the Tx buffer to the internal transmit FIFO in PCI bus master mode. When the transmit FIFO contains a complete packet or is filled to the programmed threshold level, the RTL8101L begins packet transmission.

10.2 Receive operation

The incoming packet is placed in the RTL8101L's Rx FIFO. Concurrently, the RTL8101L performs address filtering of multicast packets according to its hash algorithms. When the amount of data in the Rx FIFO reaches the level defined in the Receive Configuration Register, the RTL8101L requests the PCI bus to begin transferring the data to the Rx buffer in PCI bus master mode.

10.3 Wander Compensation

The 8101L is ANSI TP-PMD compliant and supports input and Base Line Wander (BLW) compensation in 100Base-TX mode. The 8101L does not require external attenuation circuitry at its receive inputs, RD+/- . It accepts TP-PMD compliant waveforms directly, requiring only a 100 Ω termination and a 1:1 transformer.

BLW is the change in the average DC content, over time, of an AC coupled digital transmission over a given transmission medium. BLW is a result from the interaction between the low frequency components of a transmitted bit stream and the frequency response of the AC coupling component(s) within the transmission system. If the low frequency content of the digital bit stream goes below the low frequency pole of the AC coupling transformers, then the droop characteristics of the transformers will dominate resulting in potentially serious BLW. If BLW is not compensated, packet loss can occur.

10.4 Signal Detect

The 8101L supports signal detect in 100Base-TX mode. Therefore, the reception of normal 10Base-T link pulses and fast link pulses defined by IEEE 802.3u Auto-negotiation by the 100Base-TX receiver do not cause the 8101L to assert signal detect.

The signal detect function of the 8101L is incorporated to meet the specifications mandated by the ANSI FDDI TP-PMD standard as well as the IEEE 802.3 100Base-TX standard for both voltage thresholds and timing parameters.

10.5 Line Quality Monitor

The line quality monitor function is available in 100Base-TX mode. It is possible to determine the amount of Equalization being used by accessing certain test registers with the DSP engine. This provides a crude indication of connected cable length. This function allows for a quick and simple verification of the line quality in that any significant deviation from an expected register value (based on a known cable length) would indicate that the signal quality has deviated from the expected nominal case.

10.6 Clock Recovery Module

The Clock Recovery Module (CRM) is supported in 100Base-TX mode. The CRM accepts 125Mb/s MLT3 data from the equalizer. The DPLL locks onto the 125Mb/s data stream and extracts a 125MHz recovered clock. The extracted and synchronized clock and data are used as required by the synchronous receive operations.

10.7 Loopback Operation

Loopback mode is normally used to verify that the logic operations up to the Ethernet cable function correctly. In loopback mode for 100Mbps, the RTL8101L takes frames from the transmit descriptor and transmits them up to internal Twister logic.

10.8 Tx Encapsulation

While operating in 100Base-TX mode, the RTL8101L encapsulates the frames that it transmits according to the 4B/5B code-groups table. The changes of the original packet data are listed as follows :

1. The first byte of the preamble in the MAC frame is replaced with the JK symbol pair.
2. After the CRC, the TR symbol pair is inserted.

10.9 Collision

If the RTL8101L is not in full-duplex mode, a collision event occurs when the receive input is not idle while the RTL8101L transmits. If the collision was detected during the preamble transmission, the jam pattern is transmitted after completing the preamble (including the JK symbol pair).

10.10 Rx Decapsulation

The RTL8101L continuously monitors the network when reception is enabled. When activity is recognized it starts to process the incoming data.

After detecting receive activity on the line, the RTL8101L starts to process the preamble bytes based on the mode of operation.

While operating in 100Base-Tx mode, the RTL8101L expects the frame to start with the symbol pair JK in the first byte of the 8-byte preamble.

The RTL8101L checks the CRC bytes and checks if the packet data ends with the TR symbol pair, if not, the RTL8101L reports an CRC error RSR.

The RTL8101L reports a RSR<CRC> error in any of the following cases :

1. In the 100Base-Tx mode, one of the following occur.
 - a. An invalid symbol (4B/5B Table) is received in the middle of the frame.
RSR<ISE> bit also sets.
 - b. The frame does not end with the TR symbol pair.

10.11 Flow Control

The RTL8101L supports IEEE802.3X flow control to improve performance in full-duplex mode. It detects PAUSE packets to achieve flow control task.

10.11.1 Control Frame Transmission

When the RTL8101L detects that its free receive buffer is less than 3K bytes, it sends a **PAUSE packet with pause_time(=FFFFh)** to inform the source station to stop transmission for the specified period of time. After the driver has processed the packets in the receive buffer and updated the boundary pointer, the RTL8101L sends the other **PAUSE packet with pause_time(=0000h)** to wake up the source station to restart transmission.

10.11.2 Control Frame Reception

The RTL8101L enters a back off state for a specified period of time when it receives a valid **PAUSE packet with pause_time(=n)**. If the PAUSE packet is received while the RTL8101L is transmitting, the RTL8101L starts to back off after current transmission completes. The RTL8101L is free to transmit the next packets when it receives a valid **PAUSE packet with pause_time(=0000h)** or the **backoff timer(=n*512 bit time)** elapses.

Note: The PAUSE operation cannot be used to inhibit transmission of MAC Control frames (e.g. PAUSE packet). The N-way flow control capability can be disabled, please refer to Section 6, EEPROM (93C46) Contents for a detailed description.

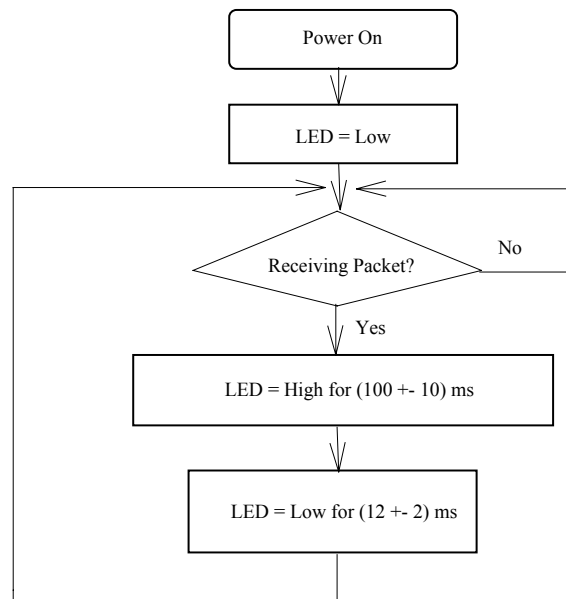
10.12 LED Functions

10.12.1 10/100 Mbps Link Monitor

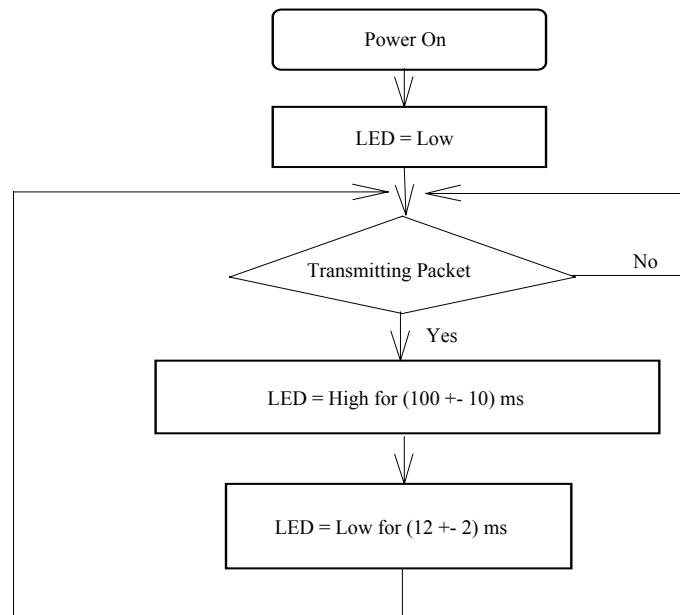
The Link Monitor senses the link integrity or if a station is down.

10.12.2 LED_RX

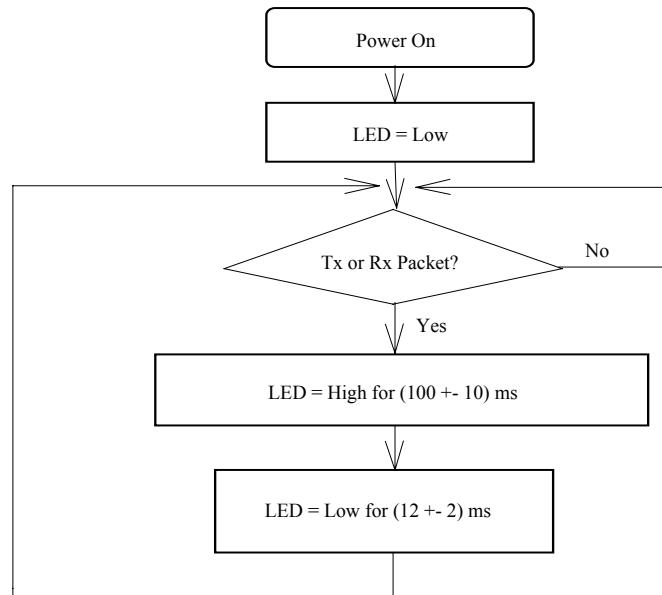
In 10/100 Mbps mode, the LED function is like RTL8139C(L).



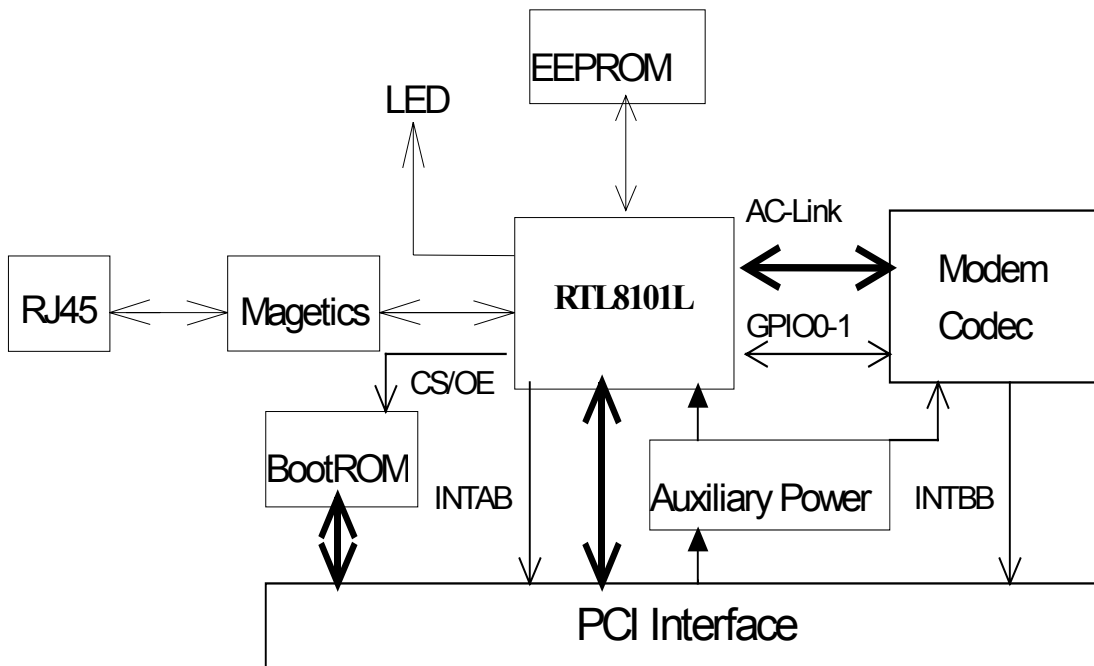
10.12.3 LED_TX



10.12.4 LED_TX+LED_RX



11. Application Diagram



12. Electrical Characteristics

12.1 Temperature Limit Ratings:

Parameter	Minimum	Maximum	Units
Storage temperature	-55	+125	°C
Operating temperature	0	70	°C

12.2 DC Characteristics:

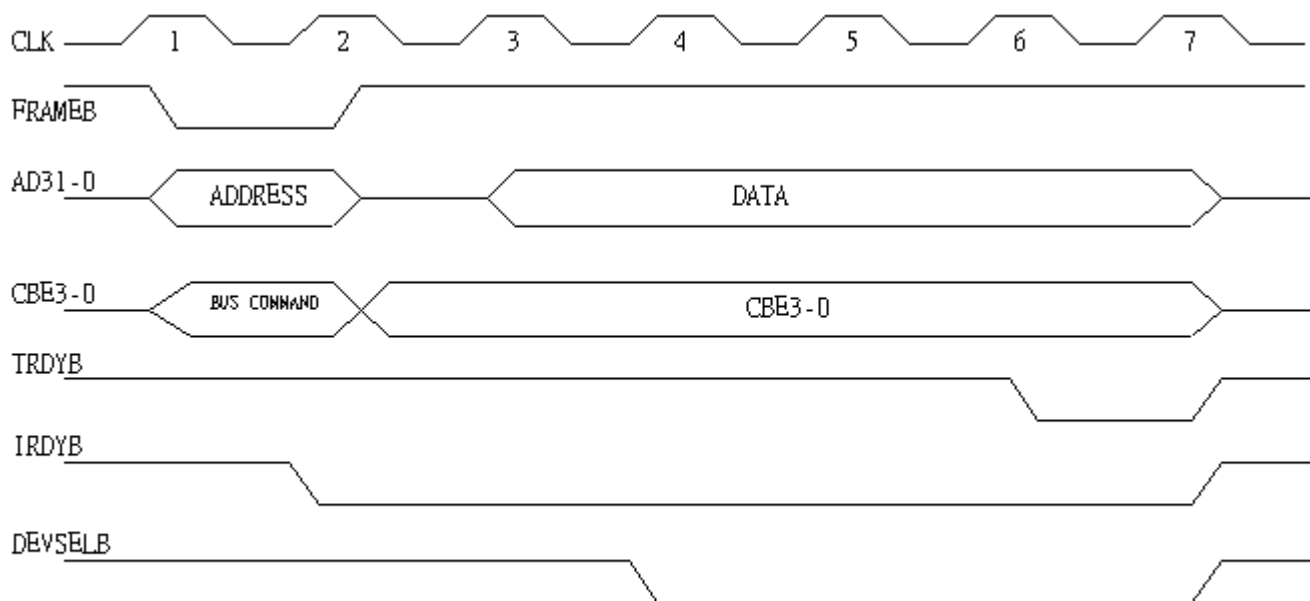
Supply voltage $V_{CC} = 3.0V$ min. to $3.6V$ max.

Symbol	Parameter	Conditions	Minimum	Maximum	Units
V_{OH}	Minimum High Level Output Voltage	$I_{OH} = -8mA$	$0.9 * V_{CC}$	V_{CC}	V
V_{OL}	Maximum Low Level Output Voltage	$I_{OL} = 8mA$		$0.1 * V_{CC}$	V
V_{IH}	Minimum High Level Input Voltage		$0.5 * V_{CC}$	$V_{CC} + 0.5$	V
V_{IL}	Maximum Low Level Input Voltage		-0.5	$0.3 * V_{CC}$	V
I_{IN}	Input Current	$V_{IN} = V_{CC}$ or GND	-1.0	1.0	uA
I_{OZ}	Tri-State Output Leakage Current	$V_{OUT} = V_{CC}$ or GND	-10	10	uA
I_{CC}	Average Operating Supply Current	$I_{OUT} = 0mA$,		330	mA

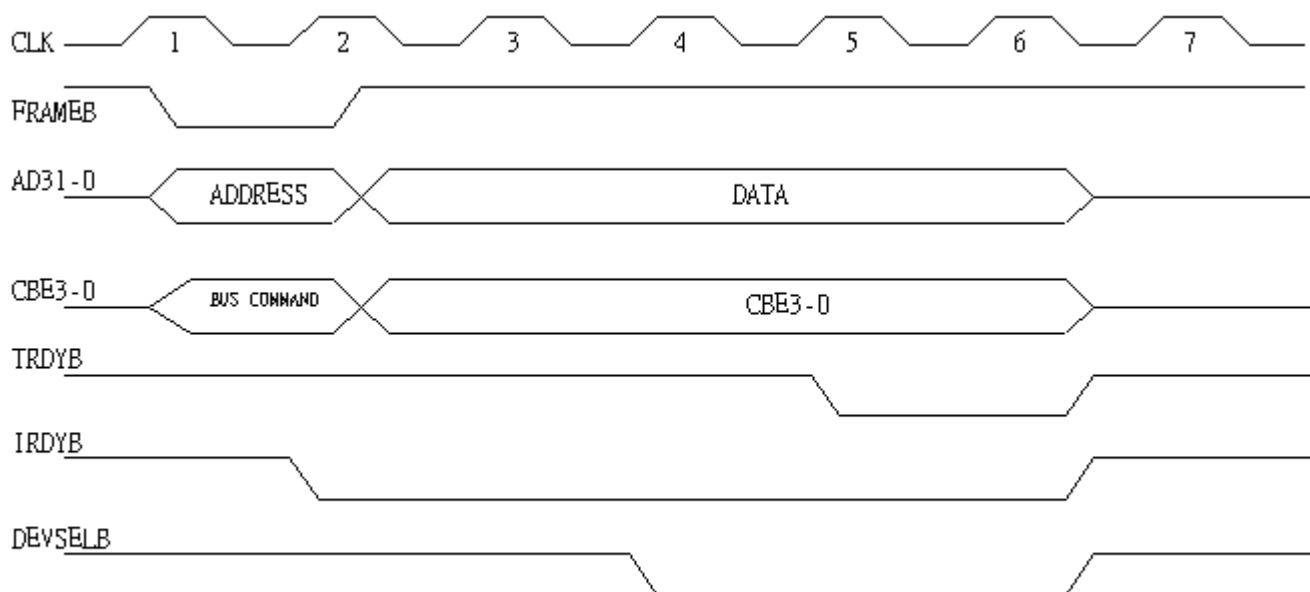
12.3 AC Characteristics

12.3.1 PCI Bus Operation Timing:

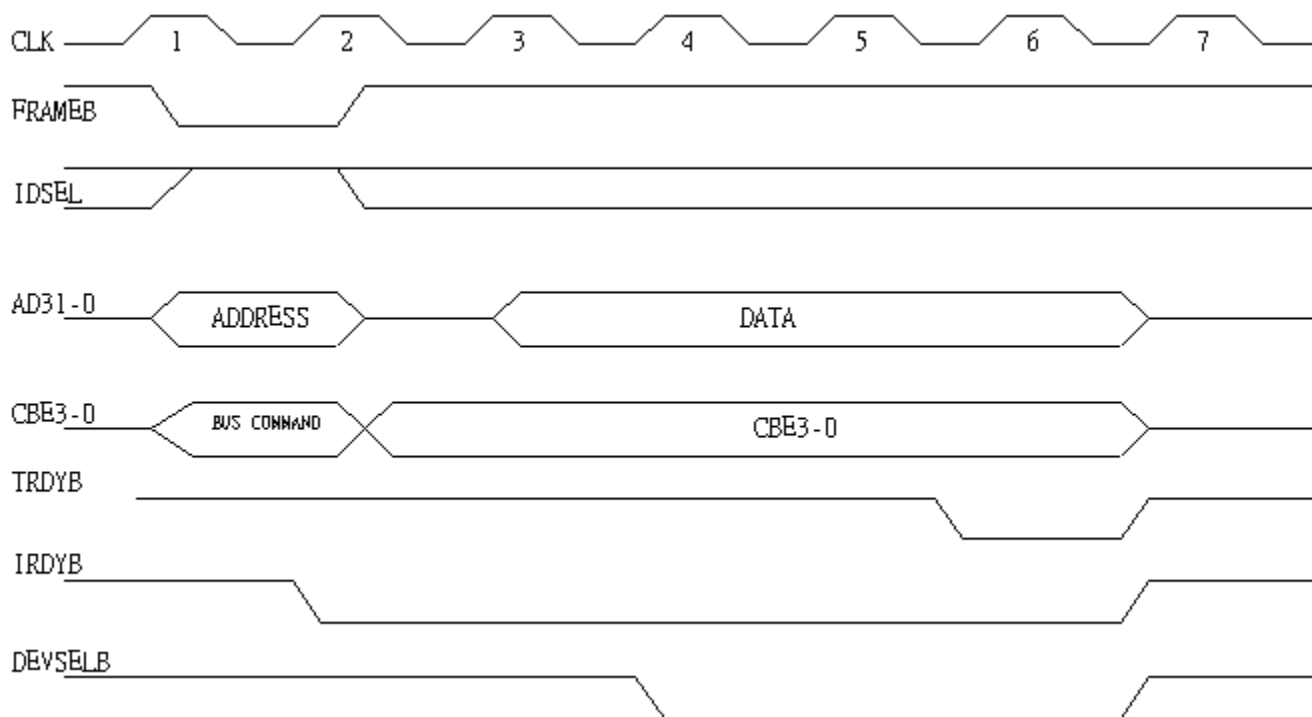
Target Read



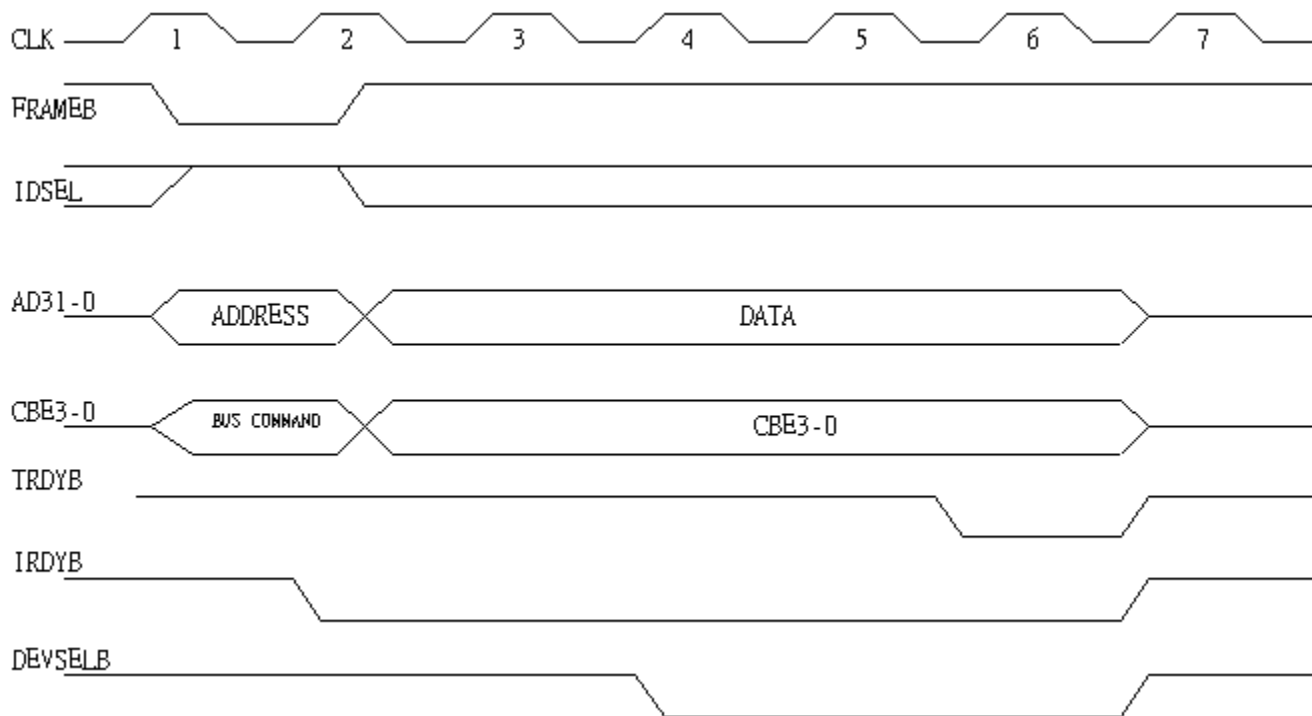
Target Write

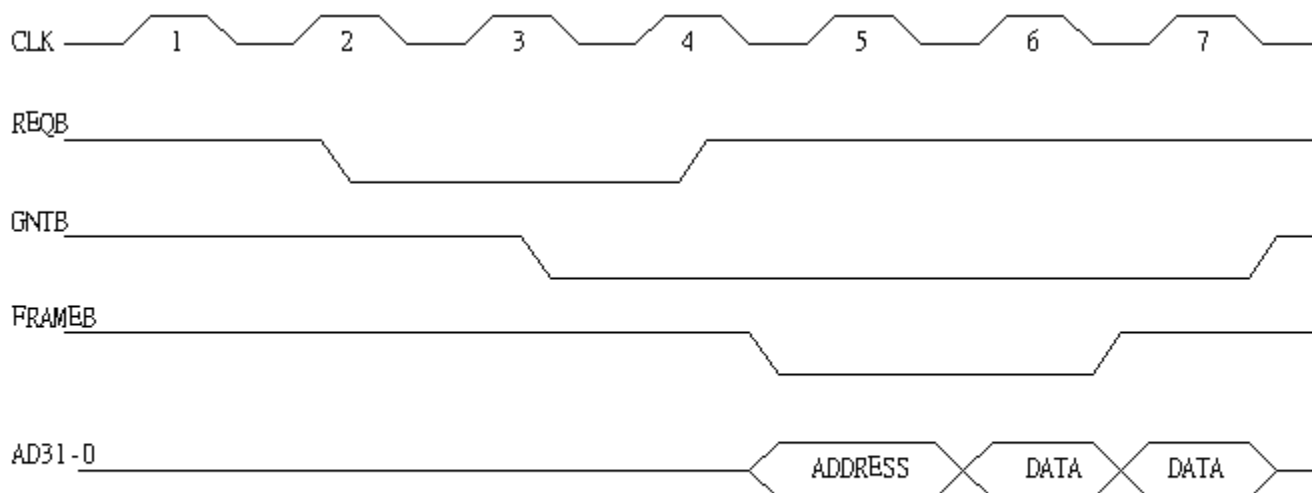
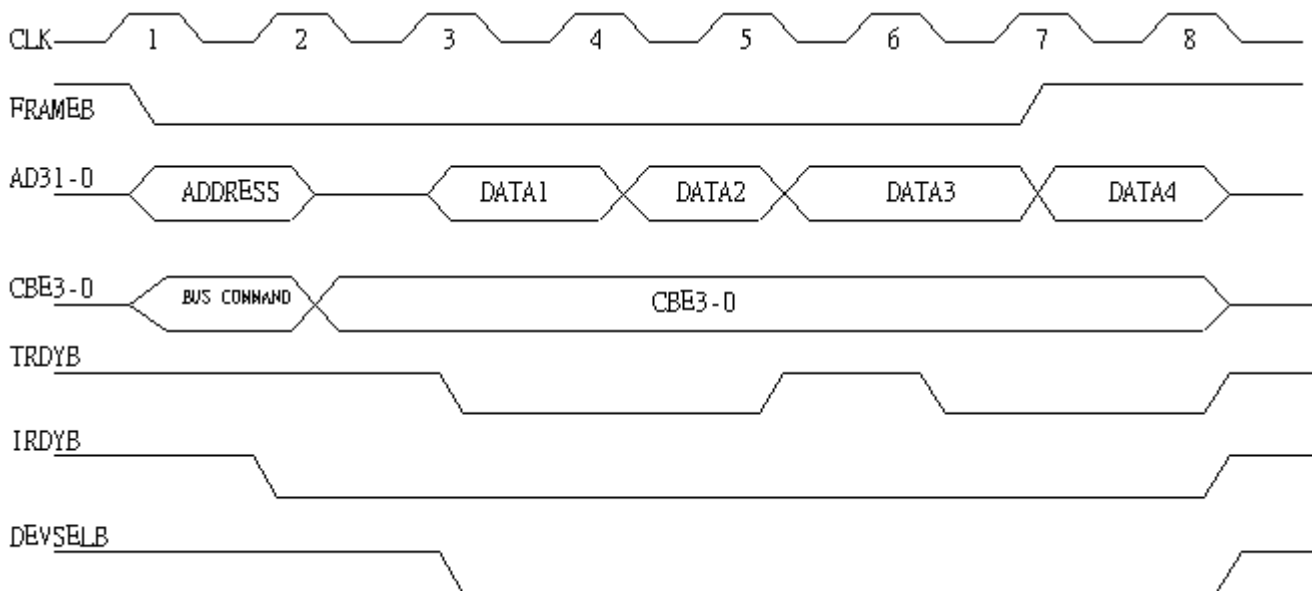


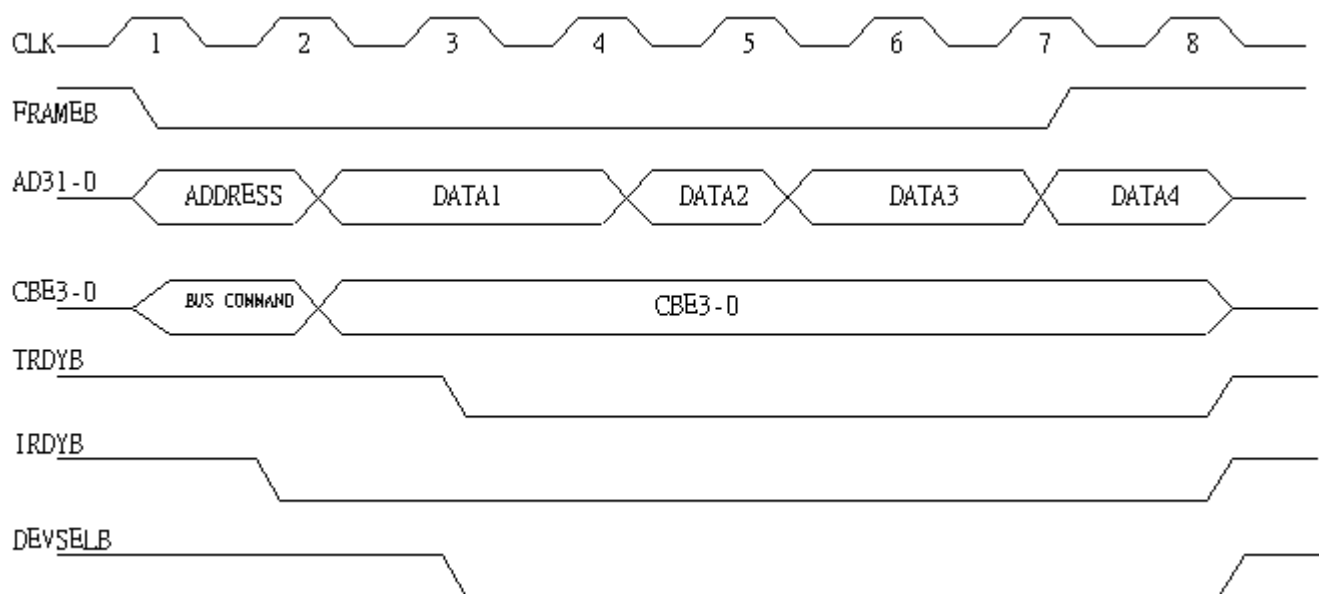
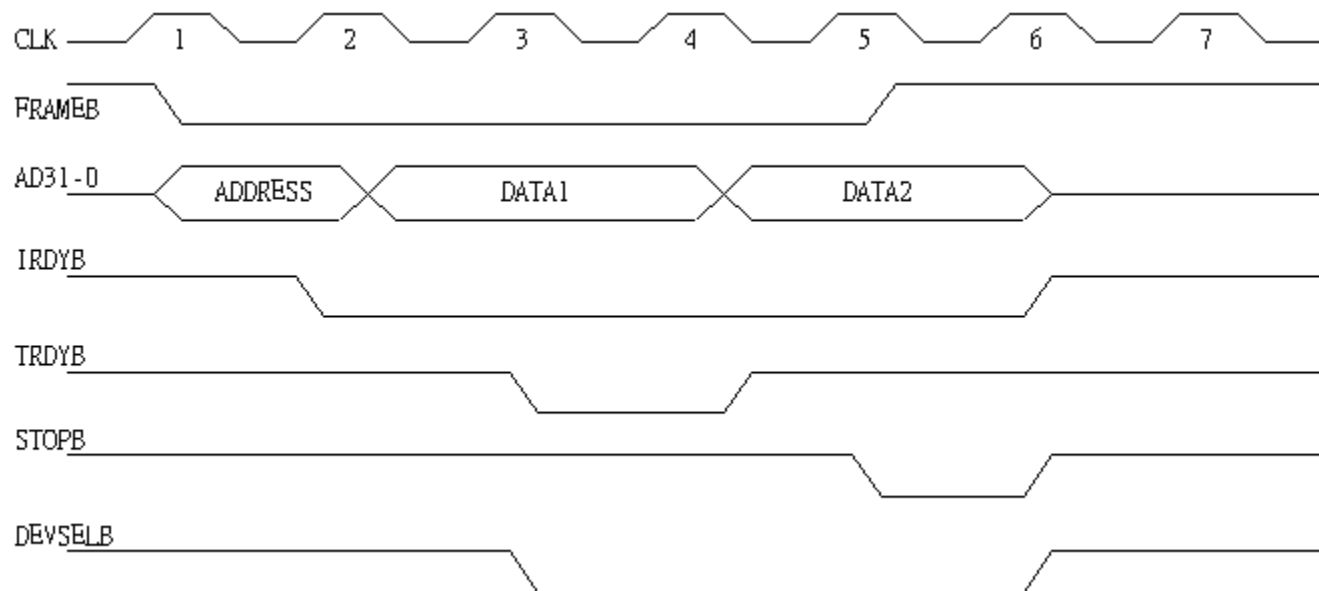
Configuration Read

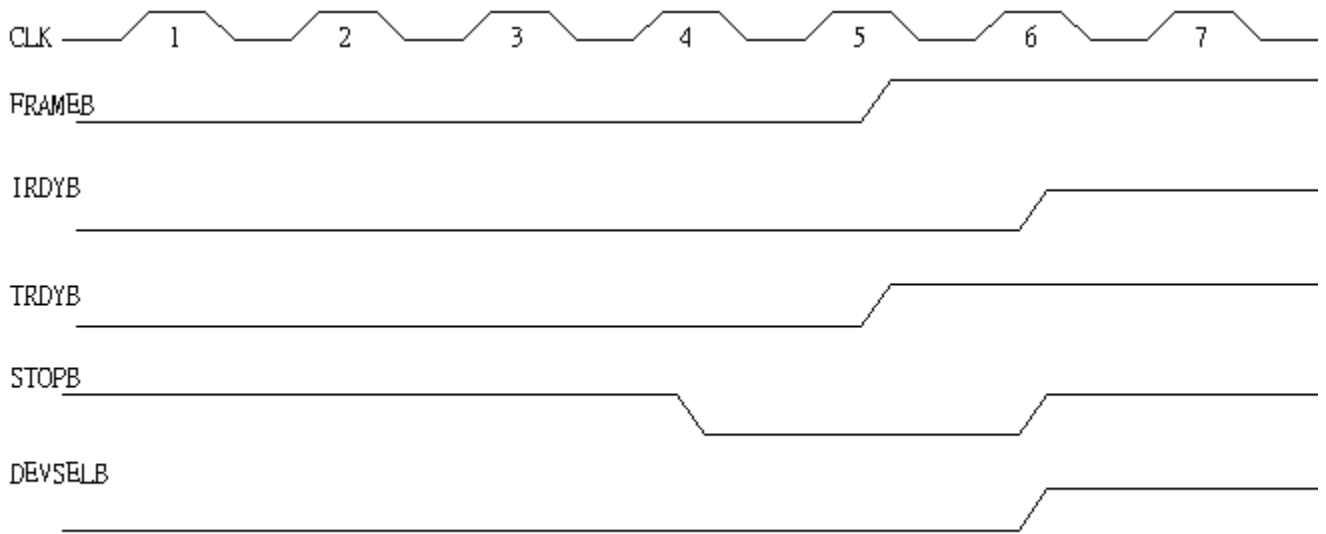
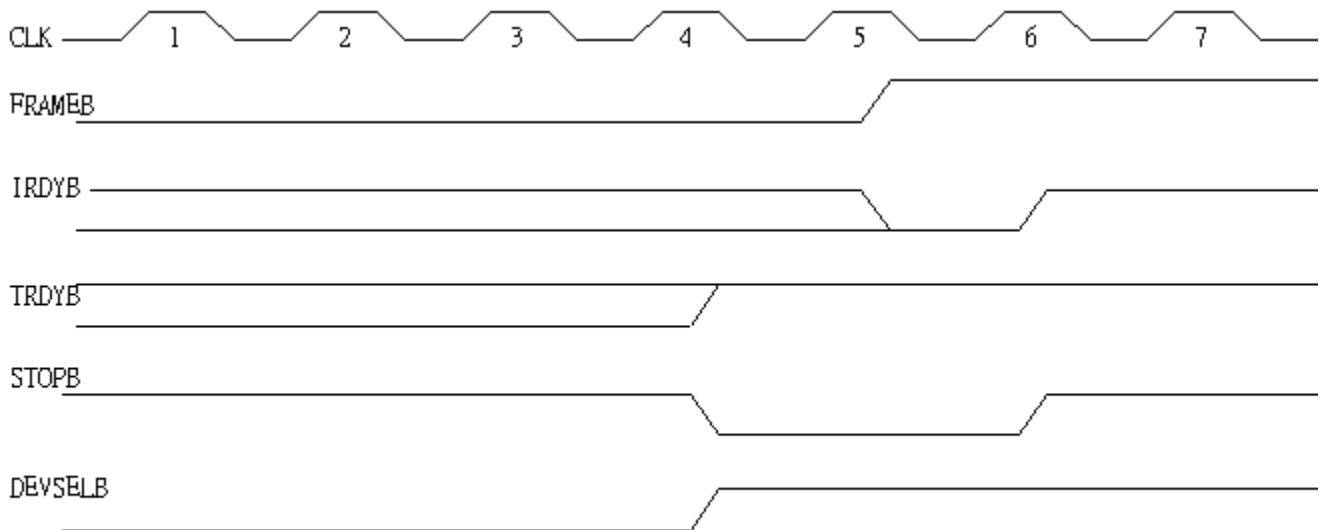


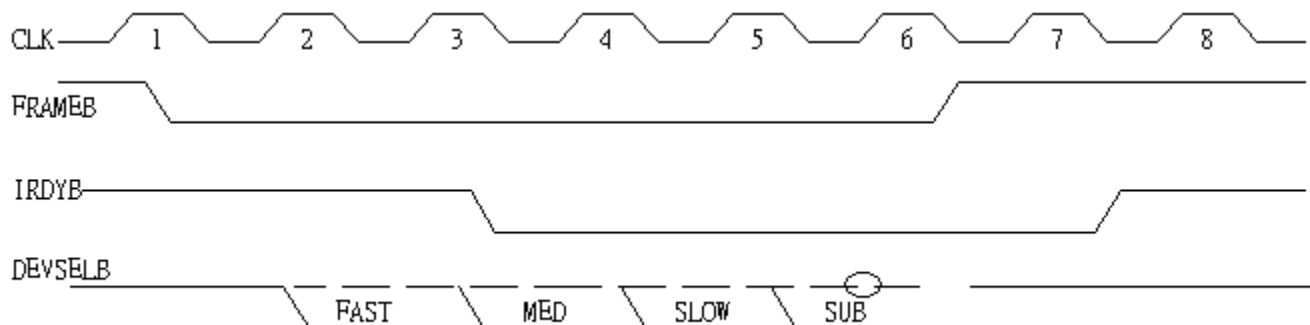
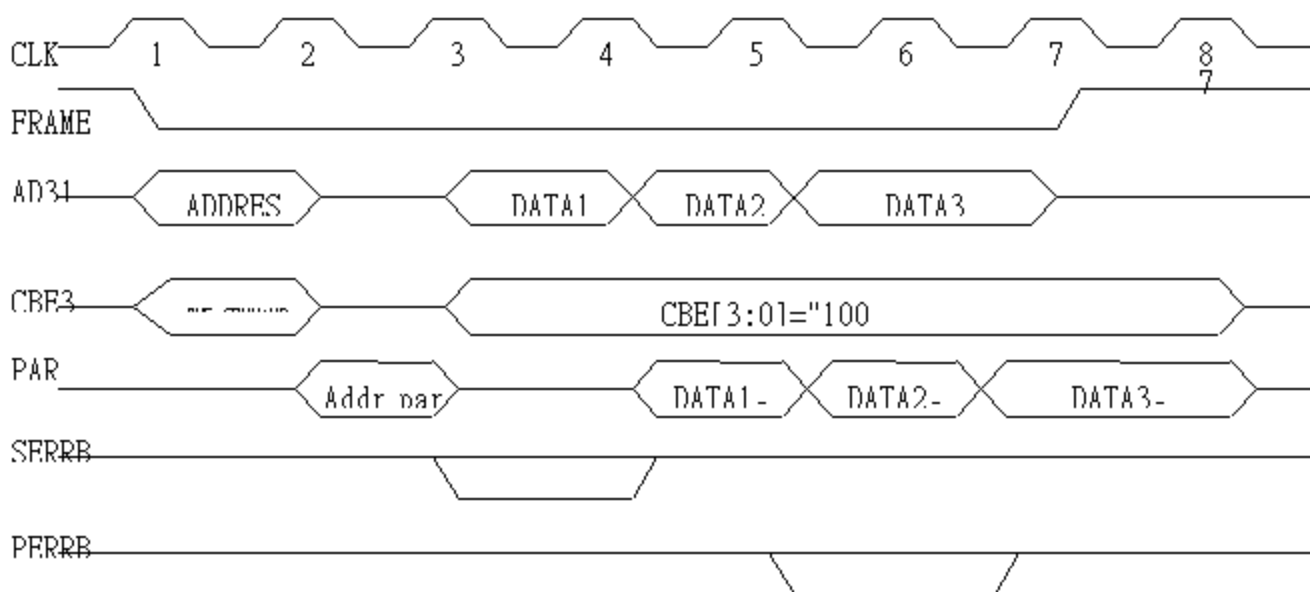
Configuration Write



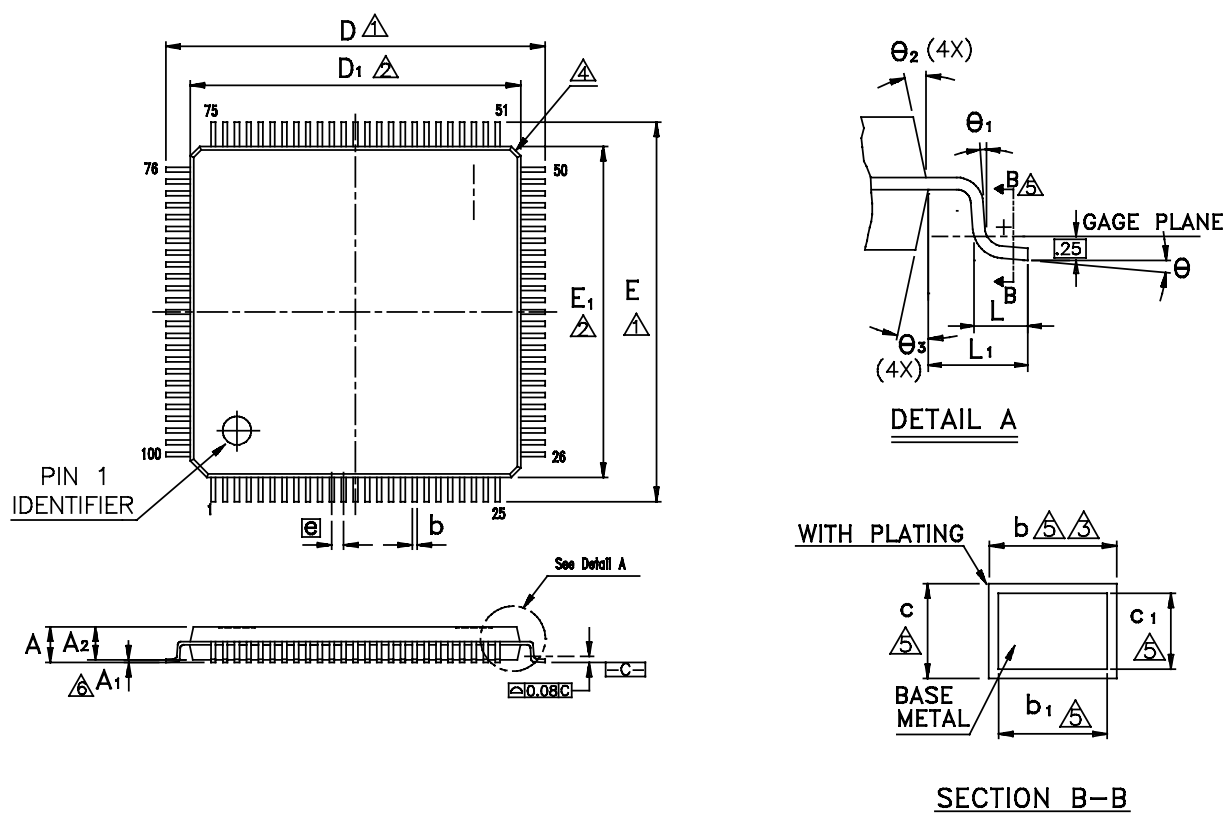
BUS Arbitration

Memory Read


Memory Write

Target Initiated Termination - Retry


Target Initiated Termination - Disconnect

Target Initiated Termination - Abort


Master Initiated Termination – Abort

Parity Operation - one example


13. Dimensions



Symbol	Dimension in inch			Dimension in mm		
	Min	Nom	Max	Min	Nom	Max
A	-	-	0.067	-	-	1.70
A₁	0.000	0.004	0.008	0.00	0.1	0.20
A₂	0.051	0.055	0.059	1.30	1.40	1.50
B	0.006	0.009	0.011	0.15	0.22	0.29
b₁	0.006	0.008	0.010	0.15	0.20	0.25
C	0.004	-	0.008	0.09	-	0.20
c₁	0.004	-	0.006	0.09	-	0.16
D	0.630 BSC			16.00 BSC		
D₁	0.551 BSC			14.00 BSC		
E	0.630 BSC			16.00 BSC		
E₁	0.551 BSC			14.00 BSC		
e	0.020 BSC			0.50 BSC		
L	0.016	0.024	0.031	0.40	0.60	0.80
L₁	0.039 REF			1.00 REF		
θ	0°	3.5°	9°	0°	3.5°	9°
θ₁	0°	-	-	0°	-	-
θ₂	12° TYP			12° TYP		
θ₃	12° TYP			12° TYP		

Note:

- To be determined at seating plane -c-
- Dimensions D₁ and E₁ do not include mold protrusion.
D₁ and E₁ are maximum plastic body size dimensions including mold mismatch.
- Dimension b does not include dambar protrusion.
Dambar can not be located on the lower radius of the foot.
- Exact shape of each corner is optional.
- These dimensions apply to the flat section of the lead between 0.10 mm and 0.25 mm from the lead tip.
- A₁ is defined as the distance from the seating plane to the lowest point of the package body.
- Controlling dimension: millimeter.
- Reference document: JEDEC MS-026 , BED.

TITLE: 100LD LQFP (14x14x1.4mm)			
PACKAGE OUTLINE DRAWING , FOOTPRINT 2.0mm			
LEADFRAME MATERIAL:			
APPROVE		DOC. NO.	
		VERSION	1
		PAGE	OF
CHECK		DWG NO.	LQ100 - P1
		DATE	
REALTEK SEMICONDUCTOR CORP.			

Realtek Semiconductor Corp.**Headquarters**

No. 2, Industry East Road IX, Science-based
Industrial Park, Hsinchu, 300, Taiwan, R.O.C.
Tel : 886-3-5780211 Fax : 886-3-5776047
WWW: www.realtek.com.tw
