



AM26LS32

QUAD EIA-422/423 Line Receiver with Three-State Outputs

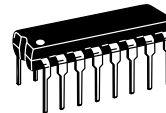
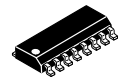
Motorola's Quad EIA-422/3 Receiver features four independent receiver chains which comply with EIA Standards for the Electrical Characteristics of Balanced/Unbalanced Voltage Digital Interface Circuits. Receiver outputs are 74LS compatible, three-state structures which are forced to a high impedance state when Pin 4 is a Logic "0" and Pin 12 is a Logic "1." A PNP device buffers each output control pin to assure minimum loading for either Logic "1" or Logic "0" inputs. In addition, each receiver chain has internal hysteresis circuitry to improve noise margin and discourage output instability for slowly changing input waveforms. A summary of AM26LS32 features include:

- Four Independent Receiver Chains
- Three-State Outputs
- High Impedance Output Control Inputs (PIA Compatible)
- Internal Hysteresis – 30 mV (Typical) @ Zero Volts Common Mode
- Fast Propagation Times – 25 ns (Typical)
- TTL Compatible
- Single 5.0 V Supply Voltage
- Fail-Safe Input-Output Relationship. Output Always High When Inputs Are Open, Terminated or Shorted
- 6.0 k Minimum Input Impedance

QUAD EIA-422/3 LINE RECEIVER WITH THREE-STATE OUTPUTS

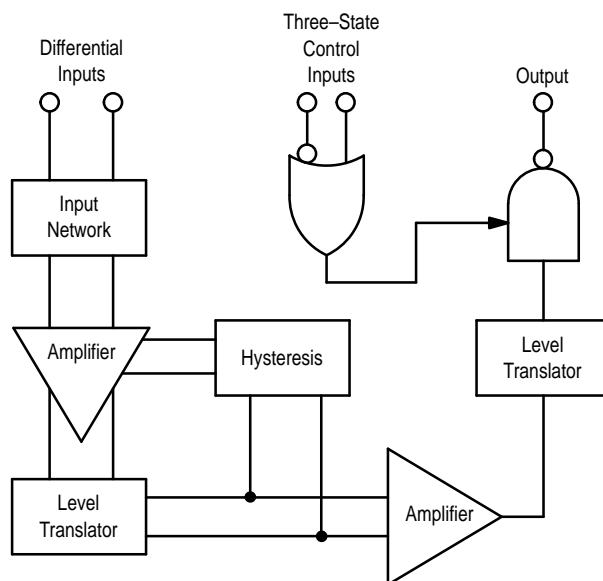
SEMICONDUCTOR TECHNICAL DATA

D SUFFIX
PLASTIC PACKAGE
CASE 751B
(SO-16)

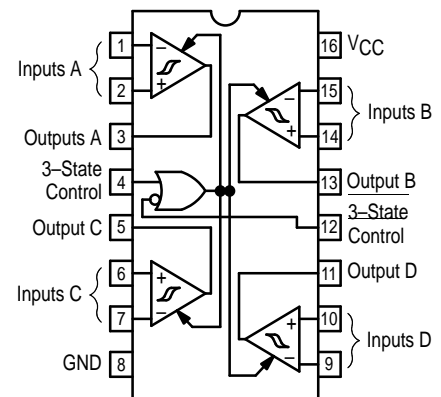


PC SUFFIX
PLASTIC PACKAGE
CASE 648

Representative Block Diagram



PIN CONNECTIONS



ORDERING INFORMATION

Device	Operating Temperature Range	Package
AM26LS32PC	T _A = 0 to 70°C	Plastic DIP
MC26LS32D*		SO-16

* Note that the surface mount MC26LS32D device uses the same die as in the plastic DIP AM26LS32DC device, but with an MC prefix to prevent confusion with the package suffix.

MAXIMUM RATINGS

Rating	Symbol	Value	Unit
Power Supply Voltage	V_{CC}	7.0	Vdc
Input Common Mode Voltage	V_{ICM}	± 25	Vdc
Input Differential Voltage	V_{ID}	± 25	Vdc
Three-State Control Input Voltage	V_I	7.0	Vdc
Output Sink Current	I_O	50	mA
Storage Temperature	T_{stg}	- 65 to + 150	°C
Operating Junction Temperature	T_J	+ 150	°C

RECOMMENDED OPERATING CONDITIONS

Rating	Symbol	Value	Unit
Power Supply Voltage	V_{CC}	4.75 to 5.25	Vdc
Operating Ambient Temperature	T_A	0 to + 70	°C
Input Common Mode Voltage Range	V_{ICR}	- 7.0 to + 7.0	Vdc
Input Differential Voltage Range	V_{IDR}	6.0	Vdc

ELECTRICAL CHARACTERISTICS (Unless otherwise noted, minimum and maximum limits apply over recommended temperature and power supply voltage ranges. Typical values are for $T_A = 25^\circ\text{C}$, $V_{CC} = 5.0\text{ V}$ and $V_{IC} = 0\text{ V}$. See Note 1.)

Characteristic	Symbol	Min	Typ	Max	Unit
Input Voltage – High Logic State (Three-State Control)	V_{IH}	2.0	–	–	V
Input Voltage – Low Logic State (Three-State Control)	V_{IL}	–	–	0.8	V
Differential Input Threshold Voltage (Note 2) ($-7.0\text{ V} \leq V_{IC} \leq 7.0\text{ V}$, $V_{IH} = 2.0\text{ V}$) ($I_O = -0.4\text{ mA}$, $V_{OH} \geq 2.7\text{ V}$) ($I_O = 8.0\text{ mA}$, $V_{OL} \leq 0.45\text{ V}$)	$V_{TH(D)}$	–	–	0.2 –0.2	V
Input Bias Current ($V_{CC} = 0\text{ V}$ or 5.25) (Other Inputs at $-15\text{ V} \leq V_{in} \leq +15\text{ V}$) $V_{in} = +15\text{ V}$ $V_{in} = -15\text{ V}$	$I_{IB(D)}$	–	–	2.3 –2.8	mA
Input Resistance ($-15\text{ V} \leq V_{in} \leq +15\text{ V}$)	R_{in}	6.0 K	–	–	Ohms
Input Balance and Output Level ($-7.0\text{ V} \leq V_{IC} \leq 7.0\text{ V}$, $V_{IH} = 2.0\text{ V}$, See Note 3) ($I_O = -0.4\text{ mA}$, $V_{ID} = 0.4\text{ V}$) ($I_O = 8.0\text{ mA}$, $V_{ID} = -0.4\text{ V}$)	V_{OH} V_{OL}	2.7 –	– –	– 0.45	V
Output Third State Leakage Current ($V_{I(D)} = +3.0\text{ V}$, $V_{IL} = 0.8\text{ V}$, $V_O = 0.4\text{ V}$) ($V_{I(D)} = -3.0\text{ V}$, $V_{IL} = 0.8\text{ V}$, $V_O = 2.4\text{ V}$)	I_{OZ}	–	–	–20 20	μA
Output Short Circuit Current ($V_{I(D)} = 3.0\text{ V}$, $V_{IH} = 2.0\text{ V}$, $V_O = 0\text{ V}$, See Note 4)	I_{OS}	–15	–	–85	mA
Input Current – Low Logic State (Three-State Control) ($V_{IL} = 0.4\text{ V}$)	I_{IL}	–	–	–360	μA
Input Current – High Logic State (Three-State Control) ($V_{IH} = 2.7\text{ V}$) ($V_{IH} = 5.5\text{ V}$)	I_{IH}	–	–	20 100	μA
Input Clamp Diode Voltage (Three-State Control) ($I_{IC} = -18\text{ mA}$)	V_{IK}	–	–	–1.5	V
Power Supply Current ($V_{IL} = 0\text{ V}$) (All Inputs Grounded)	I_{CC}	–	–	70	mA

- NOTES:**
1. All currents into device pins are shown as positive, out of device pins are negative. All voltages referenced to ground unless otherwise noted.
 2. Differential input threshold voltage and guaranteed output levels are done simultaneously for worst case.
 3. Refer to EIA-422/3 for exact conditions. Input balance and guaranteed output levels are done simultaneously for worst case.
 4. Only one output at a time should be shorted.

AM26LS32

SWITCHING CHARACTERISTICS ($V_{CC} = 5.0\text{ V}$ and $T_A = 25^\circ\text{C}$, unless otherwise noted)

Characteristic	Symbol	Min	Typ	Max	Unit
Propagation Delay Time – Differential Inputs to Output (Output High to Low) (Output Low to High)	$t_{PHL(D)}$ $t_{PLH(D)}$	–	–	30	ns
Propagation Delay Time – Three–State Control to Output (Output Low to Third State) (Output High to Third State) (Output Third State to High) (Output Third State to Low)	t_{PLZ} t_{PHZ} t_{PZH} t_{PZL}	–	–	35	ns

Figure 1. Switching Test Circuit and Wave for Propagation Delay Differential Input to Output

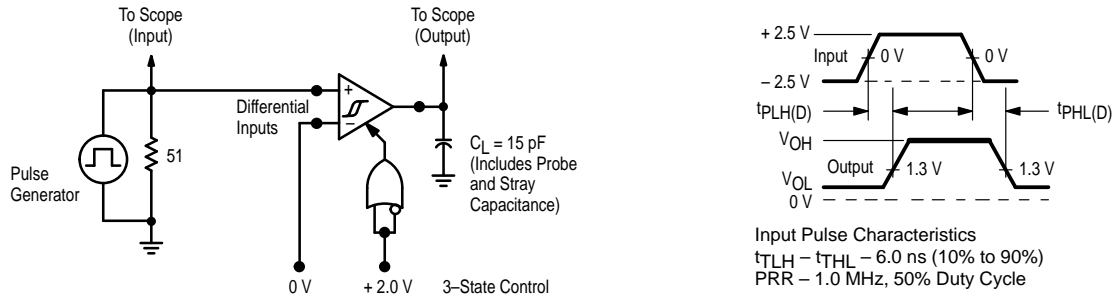
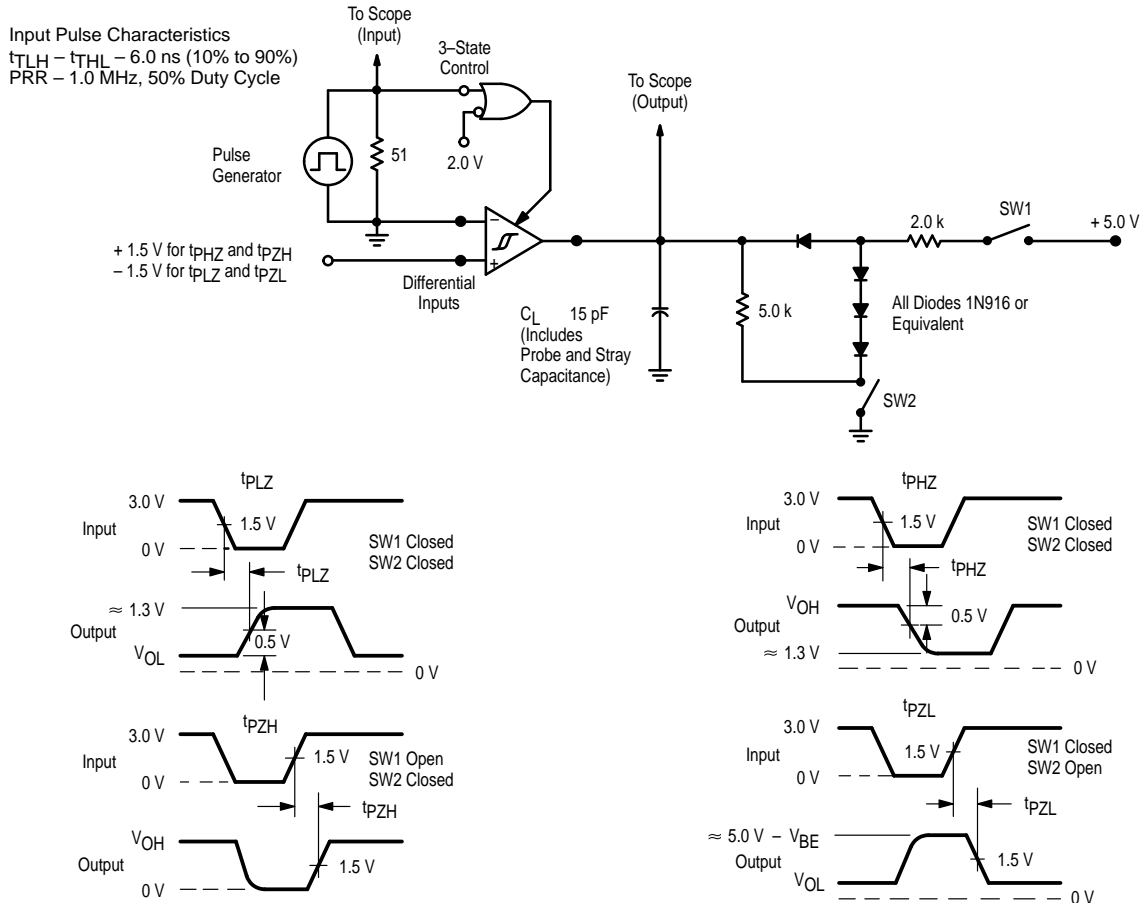


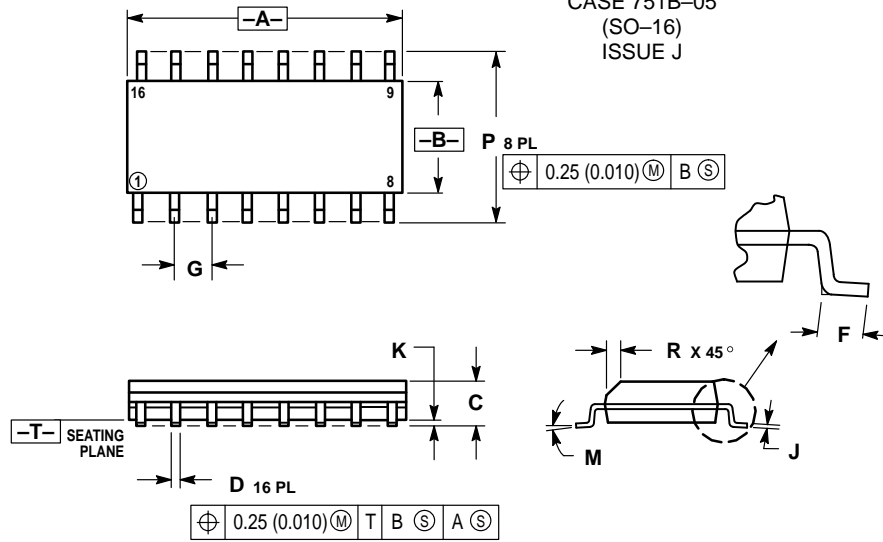
Figure 2. Propagation Delay Three–State Control Input to Output



AM26LS32

OUTLINE DIMENSIONS

D SUFFIX PLASTIC PACKAGE CASE 751B-05 (SO-16) ISSUE J

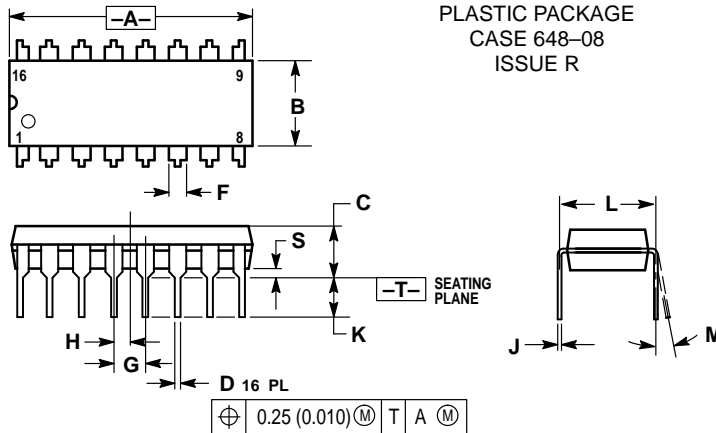


NOTES:

1. DIMENSIONING AND TOLERANCING PER ANSI Y14.5M, 1982.
2. CONTROLLING DIMENSION: MILLIMETER.
3. DIMENSIONS A AND B DO NOT INCLUDE MOLD PROTRUSION.
4. MAXIMUM MOLD PROTRUSION 0.15 (0.006) PER SIDE.
5. DIMENSION D DOES NOT INCLUDE DAMBAR PROTRUSION. ALLOWABLE DAMBAR PROTRUSION SHALL BE 0.127 (0.005) TOTAL IN EXCESS OF THE D DIMENSION AT MAXIMUM MATERIAL CONDITION.

DIM	MILLIMETERS		INCHES	
	MIN	MAX	MIN	MAX
A	9.80	10.00	0.386	0.393
B	3.80	4.00	0.150	0.157
C	1.35	1.75	0.054	0.068
D	0.35	0.49	0.014	0.019
F	0.40	1.25	0.016	0.049
G	1.27 BSC		0.050 BSC	
J	0.19	0.25	0.008	0.009
K	0.10	0.25	0.004	0.009
M	0°	7°	0°	7°
P	5.80	6.20	0.229	0.244
R	0.25	0.50	0.010	0.019

PC SUFFIX PLASTIC PACKAGE CASE 648-08 ISSUE R



NOTES:

1. DIMENSIONING AND TOLERANCING PER ANSI Y14.5M, 1982.
2. CONTROLLING DIMENSION: INCH.
3. DIMENSION L TO CENTER OF LEADS WHEN FORMED PARALLEL.
4. DIMENSION B DOES NOT INCLUDE MOLD FLASH.
5. ROUNDED CORNERS OPTIONAL.

DIM	INCHES		MILLIMETERS	
	MIN	MAX	MIN	MAX
A	0.740	0.770	18.80	19.55
B	0.250	0.270	6.35	6.85
C	0.145	0.175	3.69	4.44
D	0.015	0.021	0.39	0.53
F	0.040	0.70	1.02	1.77
G	0.100 BSC		2.54 BSC	
H	0.050 BSC		1.27 BSC	
J	0.008	0.015	0.21	0.38
K	0.110	0.130	2.80	3.30
L	0.295	0.305	7.50	7.74
M	0°	10°	0°	10°
S	0.020	0.040	0.51	1.01

Motorola reserves the right to make changes without further notice to any products herein. Motorola makes no warranty, representation or guarantee regarding the suitability of its products for any particular purpose, nor does Motorola assume any liability arising out of the application or use of any product or circuit, and specifically disclaims any and all liability, including without limitation consequential or incidental damages. "Typical" parameters can and do vary in different applications. All operating parameters, including "Typicals" must be validated for each customer application by customer's technical experts. Motorola does not convey any license under its patent rights nor the rights of others. Motorola products are not designed, intended, or authorized for use as components in systems intended for surgical implant into the body, or other applications intended to support or sustain life, or for any other application in which the failure of the Motorola product could create a situation where personal injury or death may occur. Should Buyer purchase or use Motorola products for any such unintended or unauthorized application, Buyer shall indemnify and hold Motorola and its officers, employees, subsidiaries, affiliates, and distributors harmless against all claims, costs, damages, and expenses, and reasonable attorney fees arising out of, directly or indirectly, any claim of personal injury or death associated with such unintended or unauthorized use, even if such claim alleges that Motorola was negligent regarding the design or manufacture of the part. Motorola and are registered trademarks of Motorola, Inc. Motorola, Inc. is an Equal Opportunity/Affirmative Action Employer.

How to reach us:

USA/EUROPE: Motorola Literature Distribution;
P.O. Box 20912; Phoenix, Arizona 85036. 1-800-441-2447

JAPAN: Nippon Motorola Ltd.; Tatsumi-SPD-JLDC, Toshikatsu Otsuki,
6F Seibu-Butsuryu-Center, 3-14-2 Tatsumi Koto-Ku, Tokyo 135, Japan. 03-3521-8315

MFAX: RMFAX0@email.sps.mot.com - TOUCHTONE (602) 244-6609
INTERNET: http://Design-NET.com

HONG KONG: Motorola Semiconductors H.K. Ltd.; 8B Tai Ping Industrial Park,
51 Ting Kok Road, Tai Po, N.T., Hong Kong. 852-26629298

