

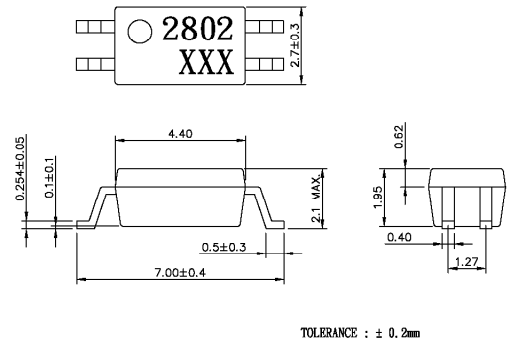
**Features**

- 1. High isolation voltage (BV=2500 Vrms)
- 2. Small and thin package (4pin SOP , Pin pitch 1.27 mm)
- 3. High current transfer ratio  
(CTR=2000% TYP. @ IF=1mA, VCE=2V)

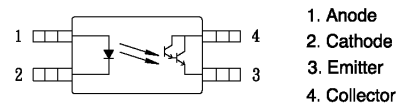
**Applications**

- 1. Programmable logic controllers
- 2. Measuring instruments
- 3. Hybrid IC

**Outside Dimension:Unit (mm)**



**Schematic:Top View**



**Absolute Maximum Ratings**

(Ta=25°C)

Parameter	Symbol	Rating	Unit
Input	Forward current (DC)	IF	50 mA
	Reverse voltage	VR	6 V
	Power dissipation derating	Pd/°C	0.6 mW / °C
	Power dissipation	Pd	60 mW
	Peak forward current *1	IFP	1 A
Output	Collector-emitter voltage	VCEO	40 V
	Emitter-collector voltage	VECO	6 V
	Collector current	IC	90 mA
	Power dissipation derating	Pc/°C	1.2 mW / °C
	Total power dissipation	Pc	120 mW
Isolation voltage *2	Viso	2500 Vrms	
Operating temperature	Topr	-30 to +100	°C
Storage temperature	Tstg	-55 to +150	°C

\*1 PW=100 μs, duty cycle=1%

\*2 AC voltage for 1 minute at Ta=25°C, RH=60% between input and output

**Electro-optical Characteristics**

(Ta=25°C)

Parameter	Symbol	Conditions	MIN.	TYP.	MAX.	Unit
Input	Forward voltage	IF=5mA	—	1.1	1.4	V
	Reverse current	VR=5V	—	—	5	μA
	Terminal capacitance	V=0V, f=1.0MHz	—	30	—	pF
Output	Collector-emitter dark current	VCE=40V, IF=0mA	—	—	400	nA
Transfer characteristics	Current transfer ratio (IC / IF)	IF=1mA, VCE=2V	200	2000	—	%
	Collector saturation voltage	IF=1mA, IC=2mA	—	—	1.0	V
	Isolation resistance	V-i=500VDC	5X10 <sup>10</sup>	10 <sup>11</sup>	—	ohm
	Floating capacitance	V=0V, f=1.0MHz	—	0.4	—	pF
	Response time (Rise)*1	VCE=5V, IC=2mA, RL=100ohm	tr	—	200	—
Response time (Fall)*1	tf		—	200	—	μS

