

T-1 3/4 (5mm)

HLMP-D101A

Red Diffused

HLMP-D105A

Red Clear with Standoff

T-100 (3mm)

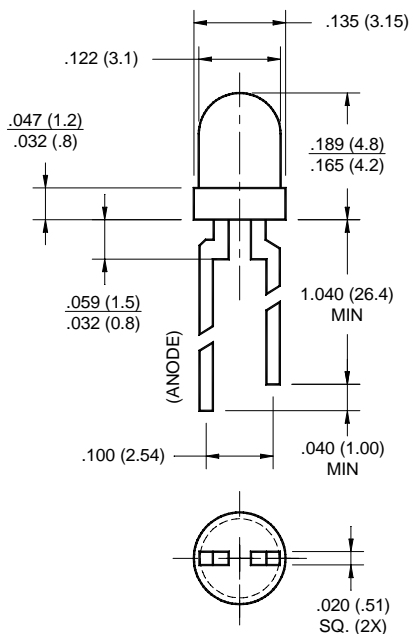
HLMP-K101

Red Diffused

HLMP-K105

Red Clear

PACKAGE DIMENSIONS

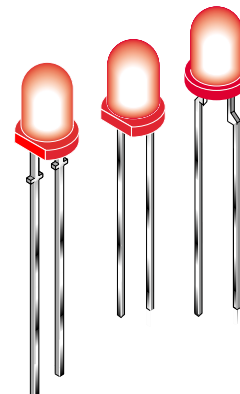


FEATURES

- Wide Viewing Angle
- Deep Red Color

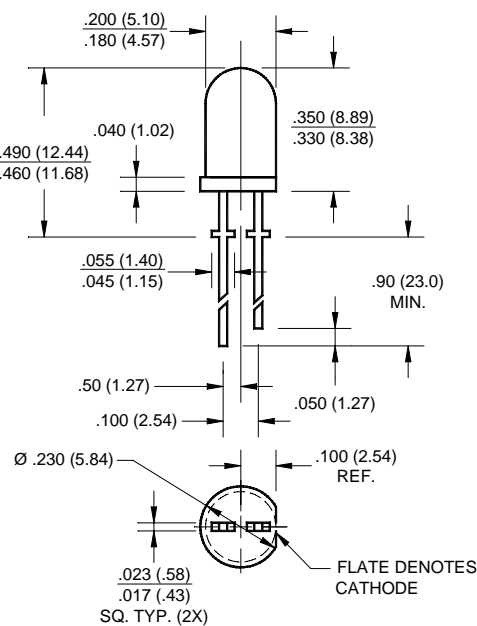
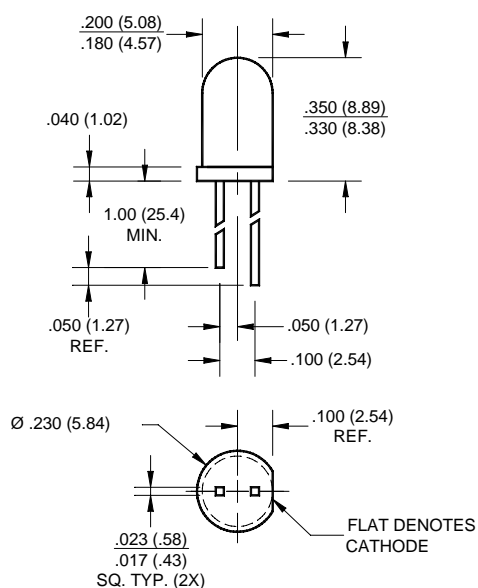
DESCRIPTION

Exceptional light output typifies these devices and provides for their use over a broad range of drive currents. The LED material is based on double heterojunction (DH) AlGaAs/GaAs technology.



NOTES:

1. ALL DIMENSIONS ARE IN INCHES (mm).
2. TOLERANCE ARE $\pm .010$ " UNLESS OTHERWISE SPECIFIED.
3. AN EPOXY MENISCUS MAY EXTEND ABOUT .040" (1 mm) DOWN THE LEADS.



ABSOLUTE MAXIMUM RATING (T_A =25°C)

Parameter	RED	UNITS
Power Dissipation	87	mW
Peak Forward Current (f=1kHz, DF=10%)	300	mA
Continuous DC Forward Current	30	mA
Lead Soldering Time at 260° C	5	sec
Operating Temperature	-20 to +100	°C
Storage Temperature	-55 to +100	°C

ELECTRICAL / OPTICAL CHARACTERISTICS (T_A =25°C)

Parameter	HLMP-K101	HLMP-K105	HLMP-D101A	HLMP-D105A	Condition
Luminous Intensity (mcd)					I _F = 20mA
Minimum	22	35	35	100	
Typical	45	65	70	240	
Forward Voltage (V)					I _F = 20mA
Maximum	2.2	2.2	2.2	2.2	
Typical	1.8	1.8	1.8	1.8	
Peak Wavelength (nm)	660	660	660	660	I _F = 20mA
Spectral Line Half Width	20	20	20	20	I _F = 20mA
Reverse Voltage (V)	5	5	5	5	I _R = 100μA
Viewing Angle (°)	60	45	65	24	I _F = 20mA

TYPICAL PERFORMANCE CURVES ($T_A = 25^\circ\text{C}$)

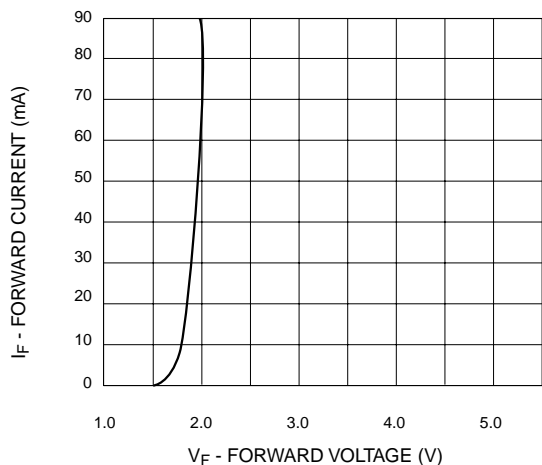


Fig. 1 Forward Current vs. Forward Voltage

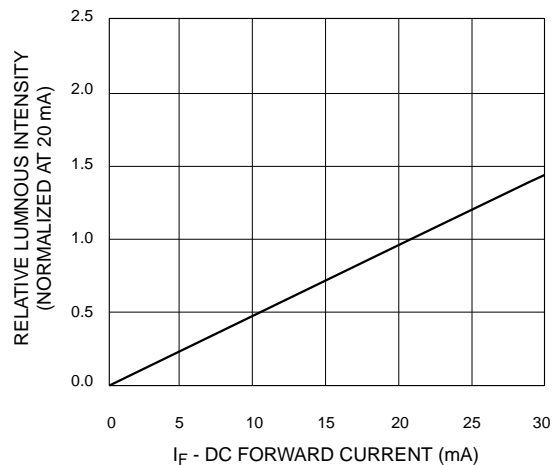


Fig. 2 Relative Luminous Intensity vs. DC Forward Current

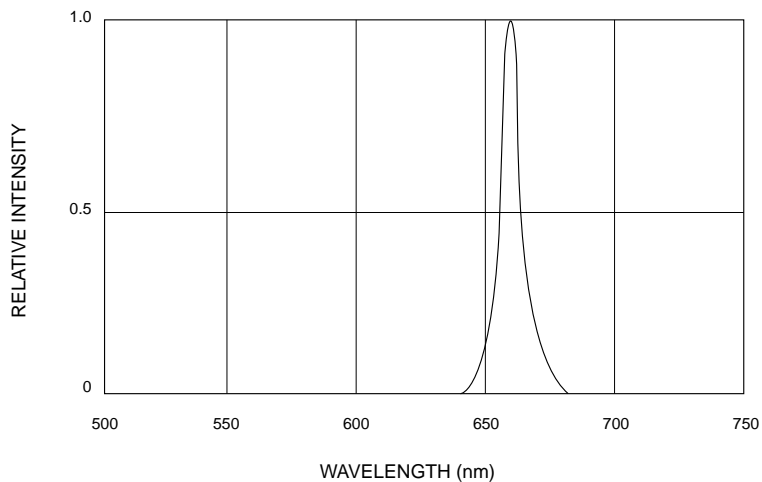


Fig. 3 Relative Intensity vs. Peak Wavelength

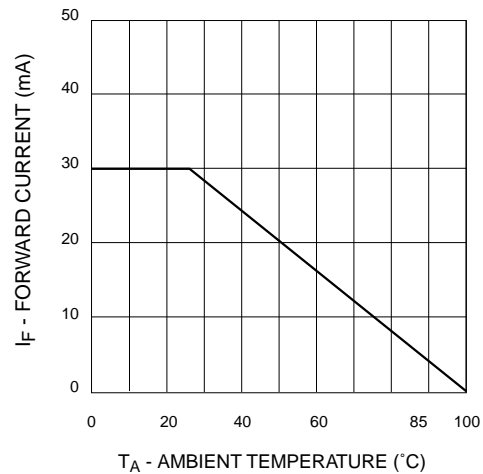
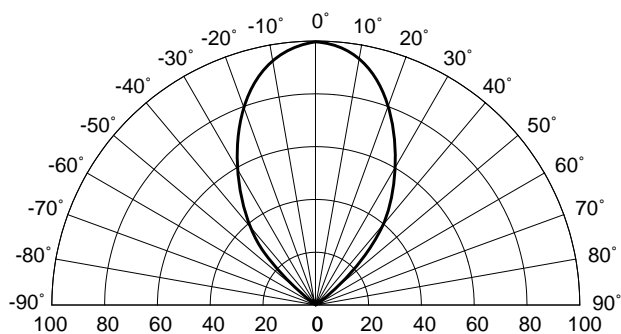


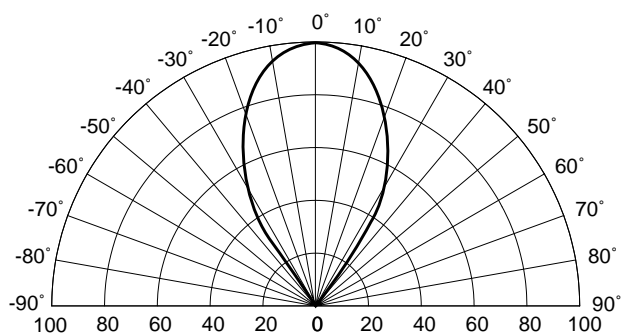
Fig. 4 Current Derating Curve

TYPICAL PERFORMANCE CURVES ($T_A = 25^\circ\text{C}$)



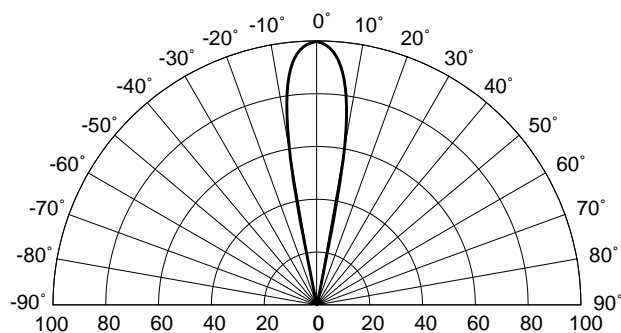
REL. LUMINOUS INTENSITY (%)

Fig. 5A Radiation Diagram (HLMP-D101A)



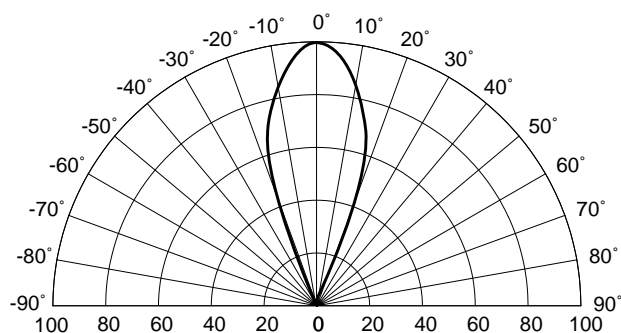
REL. LUMINOUS INTENSITY (%)

Fig. 5B Radiation Diagram (HLMP-K101)



REL. LUMINOUS INTENSITY (%)

Fig. 5C Radiation Diagram (HLMP-D105A)



REL. LUMINOUS INTENSITY (%)

Fig. 5D Radiation Diagram (HLMP-K105)

DISCLAIMER

FAIRCHILD SEMICONDUCTOR RESERVES THE THE RIGHT TO MAKE CHANGES WITHOUT FURTHER NOTICE TO ANY PRODUCTS HEREIN TO IMPROVE RELIABILITY, FUNCTION OR DESIGN. FAIRCHILD DOES NOT ASSUME ANY LIABILITY ARISING OUT OF THE APPLICATION OR USE OF ANY PRODUCT OR CIRCUIT DESCRIBED HEREIN; NEITHER DOES IT CONVEY ANY LICENSE UNDER ITS PATENT RIGHTS, NOR THE RIGHTS OF OTHERS.

LIFE SUPPORT POLICY

FAIRCHILD'S PRODUCTS ARE NOT AUTHORIZED FOR USE AS CRITICAL COMPONENTS IN LIFE SUPPORT DEVICES OR SYSTEMS WITHOUT THE EXPRESS WRITTEN APPROVAL OF THE PRESIDENT OF FAIRCHILD SEMICONDUCTOR CORPORATION. As used herein:

1. Life support devices or systems are devices or systems which, (a) are intended for surgical implant into the body, or (b) support or sustain life, and (c) whose failure to perform when properly used in accordance with instructions for use provided in labeling, can be reasonably expected to result in a significant injury of the user.
2. A critical component in any component of a life support device or system whose failure to perform can be reasonably expected to cause the failure of the life support device or system, or to affect its safety or effectiveness.