

### POWER MANAGEMENT

#### Description

The SC1302A/B/C family are low cost dual low-side MOSFET drivers. These drivers accept TTL-compatible inputs and are capable of supplying high current outputs (> 2A peak) to external MOSFET's. Fast switching allows operation up to 1 MHz. The SC1302A/B/C is available in three configurations: dual non-inverting, dual inverting and one inverting plus one non-inverting output.

An under-voltage-lock-out circuit guarantees that the driver outputs are low when Vcc is less than 4.5V (typ). An internal temperature sensor shuts down the driver in the event of over temperature.

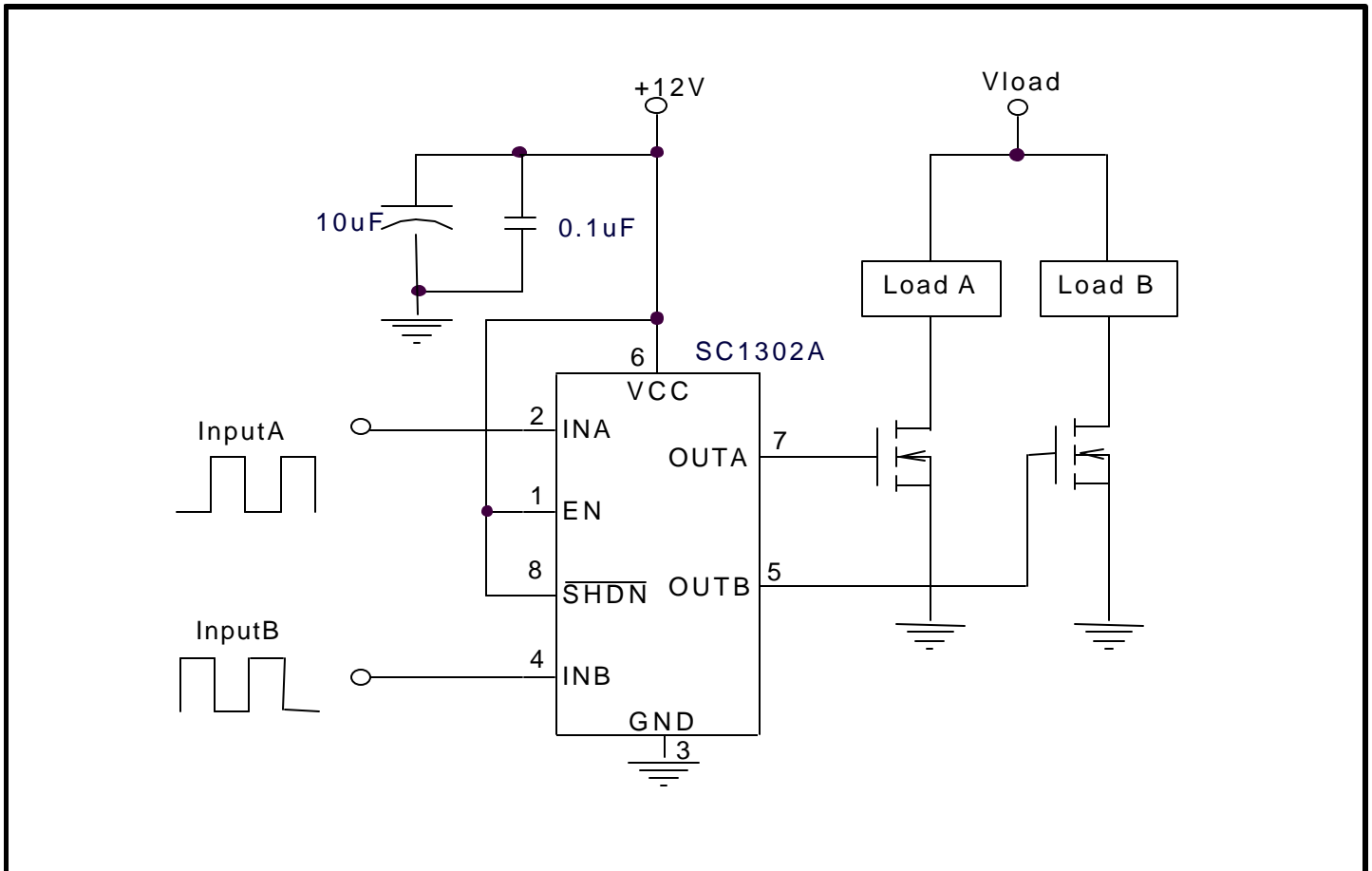
#### Features

- ◆ +4.5V to +16.5V operation
- ◆ Fast rise and fall times (20ns typical with 1000pf load)
- ◆ Dual MOSFET driver
- ◆ 2A peak drive current
- ◆ 40ns propagation delay
- ◆ 8-pin SOIC / MSOP packages
- ◆ Enable/disable control
- ◆ TTL-compatible input
- ◆ Under voltage lockout with hysteresis
- ◆ Low shutdown supply current
- ◆ Over temperature protection
- ◆ ESD protection
- ◆ Dual inverting/non-inverting and inverting/non-inverting configurations

#### Applications

- ◆ Switch-mode power supplies
- ◆ Battery powered applications
- ◆ Solenoid and motor drives

#### Typical Application Circuit



**POWER MANAGEMENT**
**Absolute Maximum Ratings**

Exceeding the specifications below may result in permanent damage to the device, or device malfunction. Operation outside of the parameters specified in the Electrical Characteristics section is not implied.

Parameter	Symbol	Typ	Units
Supply Voltage	$V_{CC}$	-0.3 to 20	V
Operating Supply Voltage	$V_{CC}$	-0.3 to 16.5	V
Input Voltages	$V_{INA}, V_{INB}$	-0.3 to $V_{CC}$	V
Peak Output Currents	$I_{OUTA}, I_{OUTB}$	3	A
Enable Voltage	$V_{EN}$	-0.3 to $V_{CC}$	V
Shutdown Voltage	$V_{SHDN}$	-0.3 to $V_{CC}$	V
Continuous Power Dissipation	$P_d$	Internally limited	W
Operating Temperature Range	$T_A$	-40 to +85	°C
Thermal Resistance Junction to Ambient (MSOP)	$\theta_{JA}$	206	°C/W
Thermal Resistance Junction to Ambient (SOIC)	$\theta_{JA}$	165	°C/W
Storage Temperature Range	$T_{STG}$	-65 to +150	°C
Lead Temperature (Soldering) 10 sec	$T_{LEAD}$	260	°C
ESD Rating (Human Body Model)	ESD	2	kV

**DC Electrical Characteristics**

Unless otherwise specified:  $-40^{\circ}\text{C} < T_A < 85^{\circ}\text{C}$ ,  $V_{CC} = 12\text{V}$ ,  $V_{IN} = 5\text{V}$ ,  $V_{EN} = 5\text{V}$ ,  $V_{SHDN} = 5\text{V}$

Parameter	Symbol	Conditions	Min	Typ	Max	Units
<b>Supply Current</b>						
Quiescent Current	$I_Q$	$V_{CC} < V_{START}$		1	1.8	mA
Quiescent Current	$I_Q$	$V_{EN} = V_{SHDN} = V_{INA} = V_{INB} = 3\text{V}$		5.7	8.1	mA
Quiescent Current	$I_Q$	$V_{SHDN} = 0\text{V}$		3	8	$\mu\text{A}$
<b>Under-Voltage Lockout</b>						
Threshold Voltage	$V_{START}$	$V_{SHDN} = V_{EN} = V_{INA} = V_{INB} = 3\text{V}$	4.2	4.5	4.7	V
Hysteresis		$V_{SHDN} = V_{EN} = V_{INA} = V_{INB} = 3\text{V}$	250	320	475	mV
<b>Enable</b>						
Enable Voltage	$V_{EN}$	$0 < V_{EN} < V_{CC}$	2.0			V
Disable Voltage	$V_{EN}$	$0 < V_{EN} < V_{CC}$			0.8	V
Delay to Output <sup>(1)</sup>	$t_{D\_EN}$	EN from low to high		70		ns
Delay to Output <sup>(1)</sup>	$t_{D\_DIS}$	EN from high to low		55		ns
Enable Input Current	$I_{EN}$	$0 < V_{EN} < V_{CC}$	10	14	19	$\mu\text{A}$

**POWER MANAGEMENT**
**DC Electrical Characteristics (Cont.)**

 Unless otherwise specified:  $-40^{\circ}\text{C} < T_A < 85^{\circ}\text{C}$ ,  $V_{CC} = 12\text{V}$ ,  $V_{IN} = 5\text{V}$ ,  $V_{EN} = 5\text{V}$ ,  $V_{\overline{\text{SHDN}}} = 5\text{V}$ 

Parameter	Symbol	Conditions	Min	Typ	Max	Units
<b>Input</b>						
High Level Input Voltage	$V_{IH}$	$0 < V_{IN} < V_{CC}$	2.0			V
Low Level Input Voltage	$V_{IL}$	$0 < V_{IN} < V_{CC}$			0.8	V
Input Current	$I_{IN}$	$0 < V_{IN} < V_{CC}$ Non-Inverting Input(s) of SC1302A/C		13	18.5	$\mu\text{A}$
		$0 < V_{IN} < V_{CC}$ Inverting Input(s) of SC1302B/C <sup>(2)</sup>			-8	$\mu\text{A}$
<b>Output</b>						
Output Peak Current	$I_{PK\_SOURCE}$	$V_{OUT} = 0.5\text{V}$ , $t_{PW} < 10\mu\text{S}$		1600		mA
	$I_{PK\_SINK}$	$V_{OUT} = V_{CC} - 0.5\text{V}$ , $t_{PW} < 10\mu\text{S}$		1600		mA
<b>Shutdown</b>						
$\overline{\text{SHDN}}$ Input Voltage High	$V_{\overline{\text{SHDN}}}$		2			V
$\overline{\text{SHDN}}$ Input Voltage Low	$V_{\overline{\text{SHDN}}}$				0.3	V
$\overline{\text{SHDN}}$ Pin Current	$I_{\overline{\text{SHDN}}}$	$V_{\overline{\text{SHDN}}} = 5\text{V}$		32	40	$\mu\text{A}$
<b>Thermal Shutdown</b>						
Over Temperature Trip Point <sup>(1)</sup>	$T_{J\_OT}$			150		$^{\circ}\text{C}$
Hysteresis <sup>(1)</sup>				10		$^{\circ}\text{C}$

**AC Electrical Characteristics**

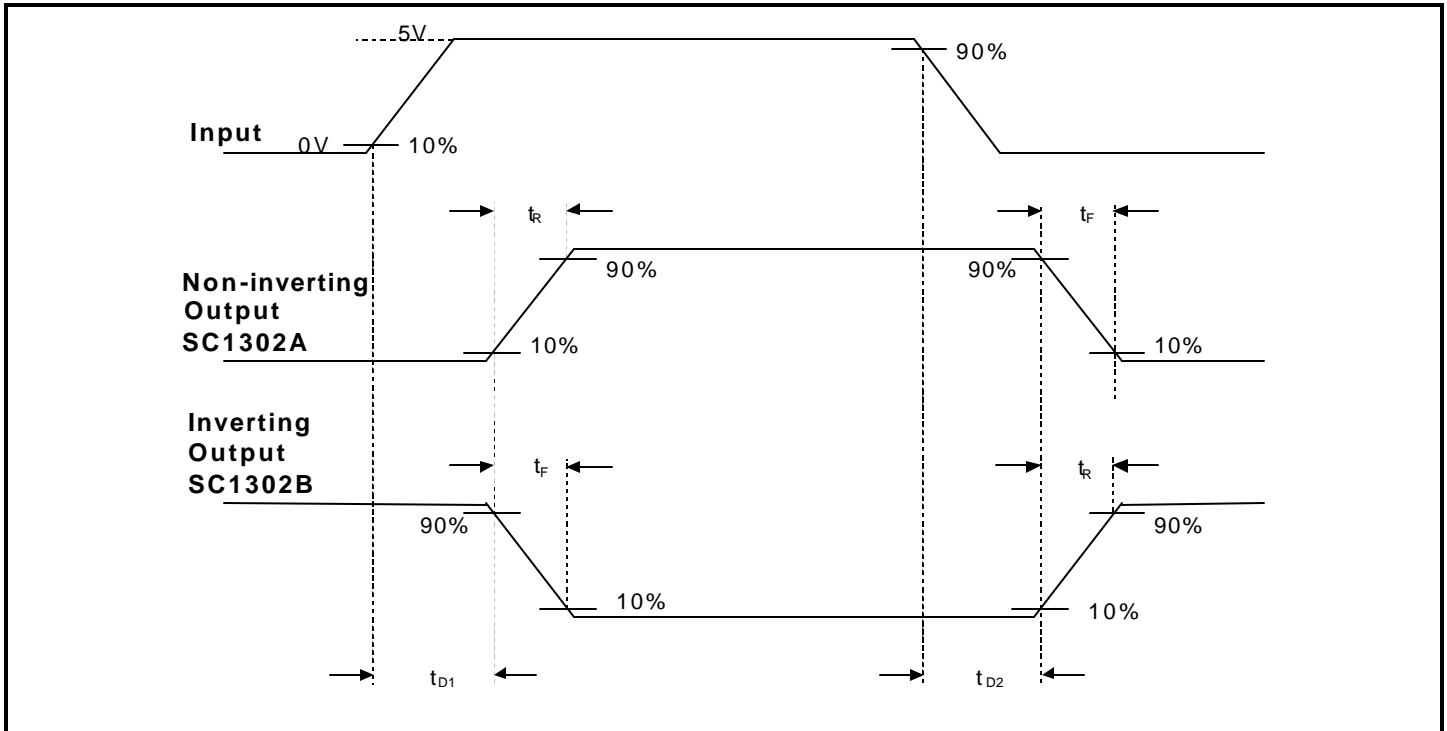
 Unless otherwise specified:  $T_A = 25^{\circ}\text{C}$ ,  $V_{CC} = 12\text{V}$ ,  $V_{EN} = 5\text{V}$ ,  $C_L = 1000\text{pF}$ 

Parameter	Symbol	Conditions	Min	Typ	Max	Units
Rise time <sup>(1)</sup>	$t_R$	See Timing Diagram		20		ns
Fall time <sup>(1)</sup>	$t_F$	See Timing Diagram		20		ns
Propagation delay time <sup>(1)</sup>	$t_{D1}$	See Timing Diagram		53		ns
Propagation delay time <sup>(1)</sup>	$t_{D2}$	See Timing Diagram		41		ns

Note:

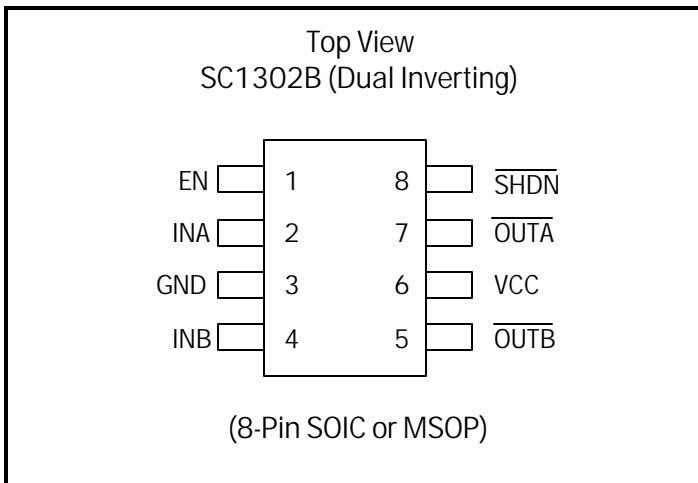
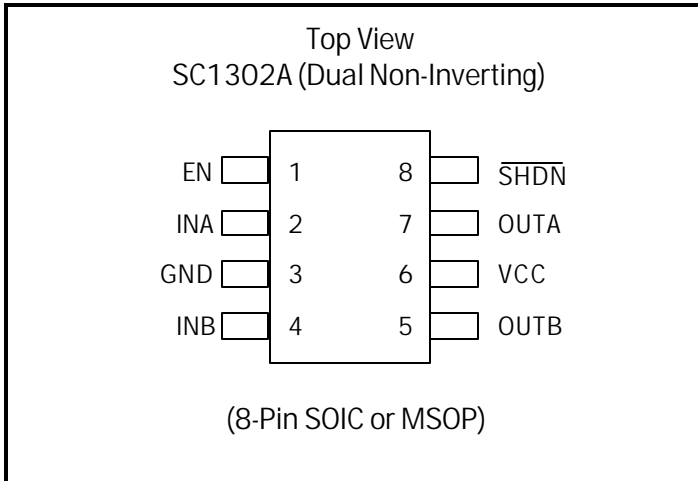
(1) Guaranteed by design not tested in production.

(2) Negative sign indicates that the input current flows out of the device.

**POWER MANAGEMENT**
**Timing Diagram**


## POWER MANAGEMENT

### Pin Configuration

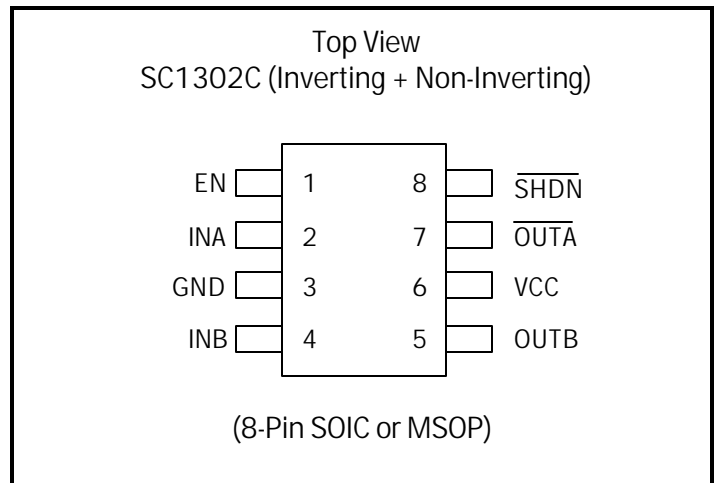


### Ordering Information

Part Number	Package	Temp. Range (T <sub>A</sub> )
SC1302AISTR	SOIC-8	-40°C to +85°C
SC1302BISTR		
SC1302CISTR		
SC1302AIMSTR	MSOP-8	-40°C to +85°C
SC1302BIMSTR		
SC1302CIMSTR		

Note:

Only available in tape and reel packaging. A reel contains 2500 devices.

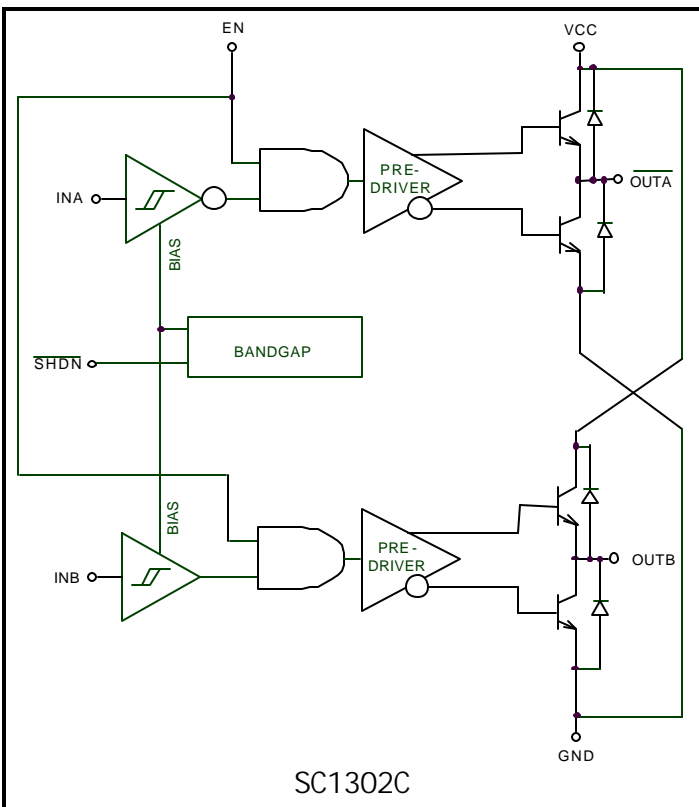
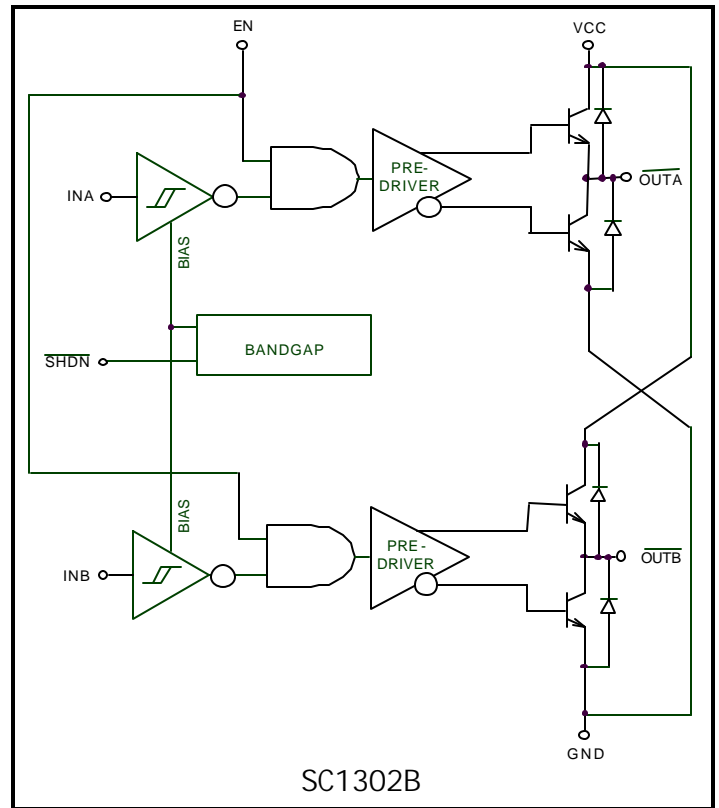
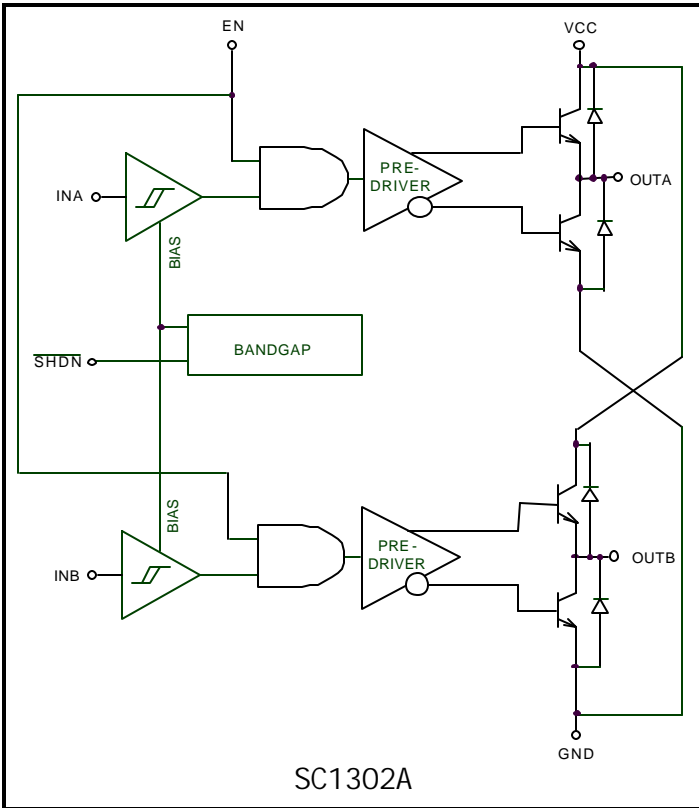


### Pin Descriptions

Pin #	SC1302A	SC1302B	SC1302C	Pin Function
1	EN	EN	EN	Enable/disable control. When the EN is driven low, both outputs are low. When left open, both outputs are low. Enable both drivers by tying EN pin to a voltage greater than 2V.
2	INA	INA	INA	TTL-compatible input to the driver A. When left open, Pin 7 is low.
3	GND	GND	GND	Ground.
4	INB	INB	INB	TTL-compatible input to the driver B. When left open, Pin 5 is low.
5	OUTB	$\overline{\text{OUTB}}$	OUTB	Output gate drive B for external MOSFET.
6	VCC	VCC	VCC	Supply: +4.5V to +16.5V supply. During UVLO, the outputs are held low.
7	OUTA	$\overline{\text{OUTA}}$	$\overline{\text{OUTA}}$	Output gate drive A for external MOSFET.
8	$\overline{\text{SHDN}}$	$\overline{\text{SHDN}}$	$\overline{\text{SHDN}}$	Shutdown pin. Apply a voltage from 2V to VCC to enable device. Pull below 0.3V for low-power shut down.

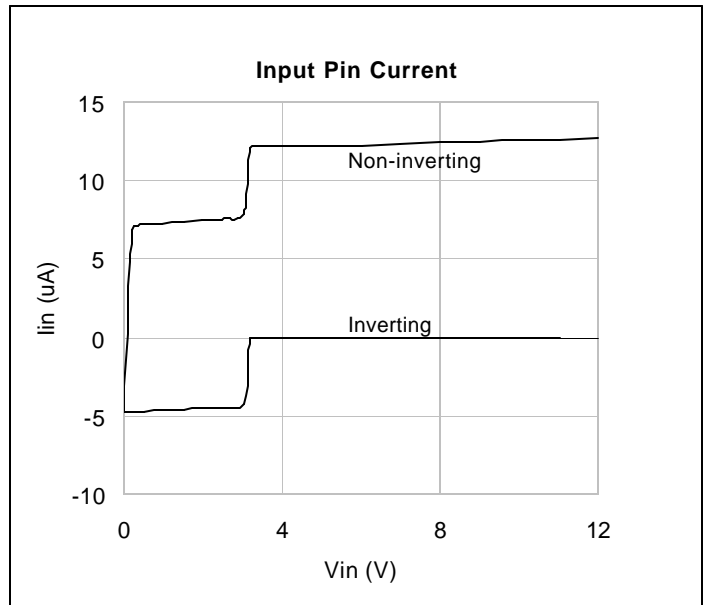
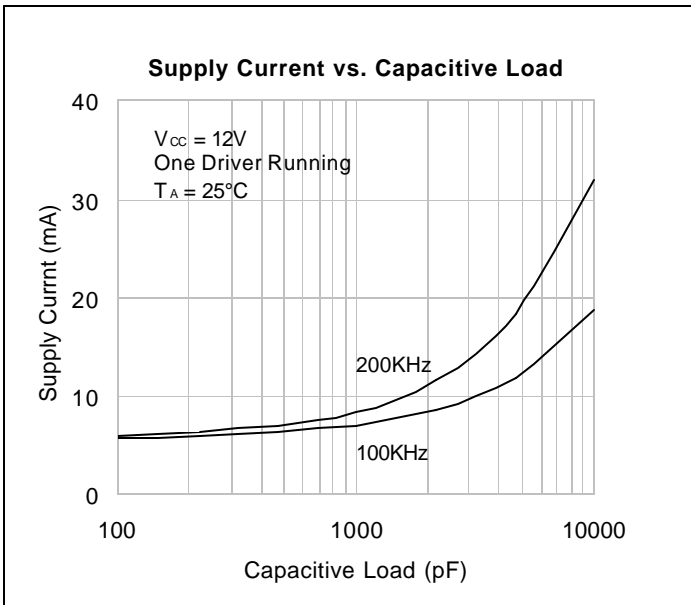
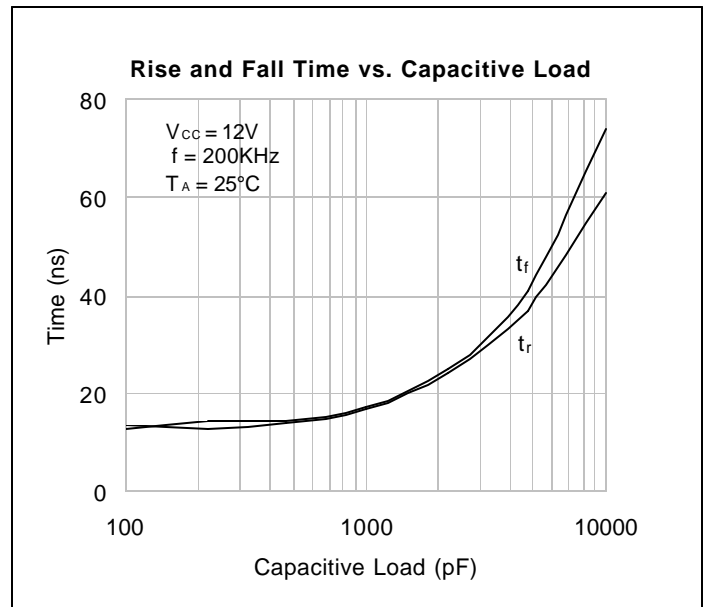
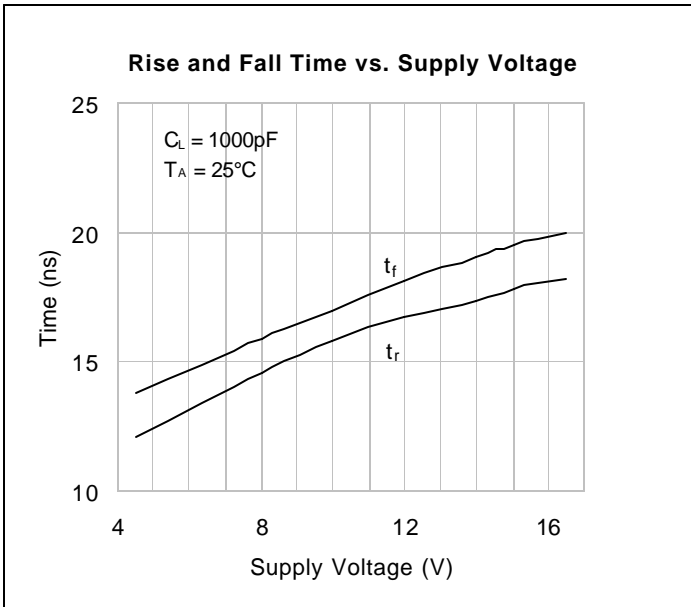
POWER MANAGEMENT

Block Diagrams



POWER MANAGEMENT

Typical Characteristics



## POWER MANAGEMENT

### Applications Information

The SC1302A/B/C is a high speed, high peak current dual MOSFET driver. It is designed to drive power MOSFETs with ultra-low rise/fall time and propagation delays. As the switching frequency of PWM controllers is increased to reduce power converters volume and cost, fast rise and fall times are necessary to minimize switching losses. While discrete solution can achieve reasonable drive capability, implementing delay and other housekeeping functions necessary for safe operation can become cumbersome and costly. The SC1302A/B/C presents a total solution for the high-speed, high power density applications. Wide input supply range of 4.5V - 16.5V allows use in battery powered applications as well as distributed power systems.

#### Supply Bypass and Layout

A 4.7 $\mu$ F to 10 $\mu$ F tantalum bypass capacitor with low ESR (equivalent series resistance) and an additional 0.1 $\mu$ F ceramic capacitor in parallel are recommended as supply bypass to control switching and supply transients.

As with any high speed, high current circuit, proper layout is critical in achieving optimum performance of the SC1302A/B/C. Attention should be paid to the proper placement of the driver, the switching MOSFET and the bypass capacitors.

The driver should be placed as close as possible to the external MOSFET's to eliminate the possibility of oscillation caused by trace inductance and the MOSFET gate capacitance. A resistor in the range of 10 $\Omega$  could be used in series with the gate drive to damp the ringing if the drive output path is not short enough. The bypass capacitors should also be placed closely between Vcc and GND of the driver. A Schottky diode may be used to connect the ground and the output pin to avoid latch-ups in some applications.

#### Drive Capability and Power Dissipation

The SC1302A/B/C is able to deliver 1.6A peak current for driving capacitive loads, such as MOSFET's.

Fast switching of the MOSFET's significantly reduces switching losses for high frequency applications. Thermal stress is reduced and system reliability is improved.

For simplicity, we assume that the gate capacitance of a

MOSFET is constant. The power delivered from the power supply can be estimated based on this simplification. The energy needed to charge the capacitor is given by:

$$E_{ON} = \frac{1}{2} \cdot C \cdot V^2$$

where C is the load capacitance and V is the output voltage swing of the driver.

During turn off, the same amount of energy is dumped to the ground. Therefore, the energy dissipated in one switching cycle is:

$$E_{TOTAL} = C \cdot V^2$$

The power dissipation due to the gate driving actions is given by:

$$P_{GATE} = f \cdot C \cdot V^2$$

where, f is the switching frequency.

with  $V_{CC} = 12V$ ,  $C = 1nF$  and  $f = 200kHz$ , the power dissipation per output is:

$$P_{GATE} = (200kHz) \cdot (1nF) \cdot (12)^2 = 29mW$$

The corresponding supply current is:

$$I = \frac{P_{GATE}}{V_{CC}} = \frac{29mW}{12V} = 2.4mA$$

#### Thermal Information

The driver's junction temperature must be kept within the rated limit at any time. The application system has to effectively remove the heat generated in the driver in order for proper functions and performance. If the junction temperature reaches 150°C, the internal protection circuit will be triggered to shut down the gate driver.

The power dissipation of the SC1302A/B/C should be derated according to the following formula:

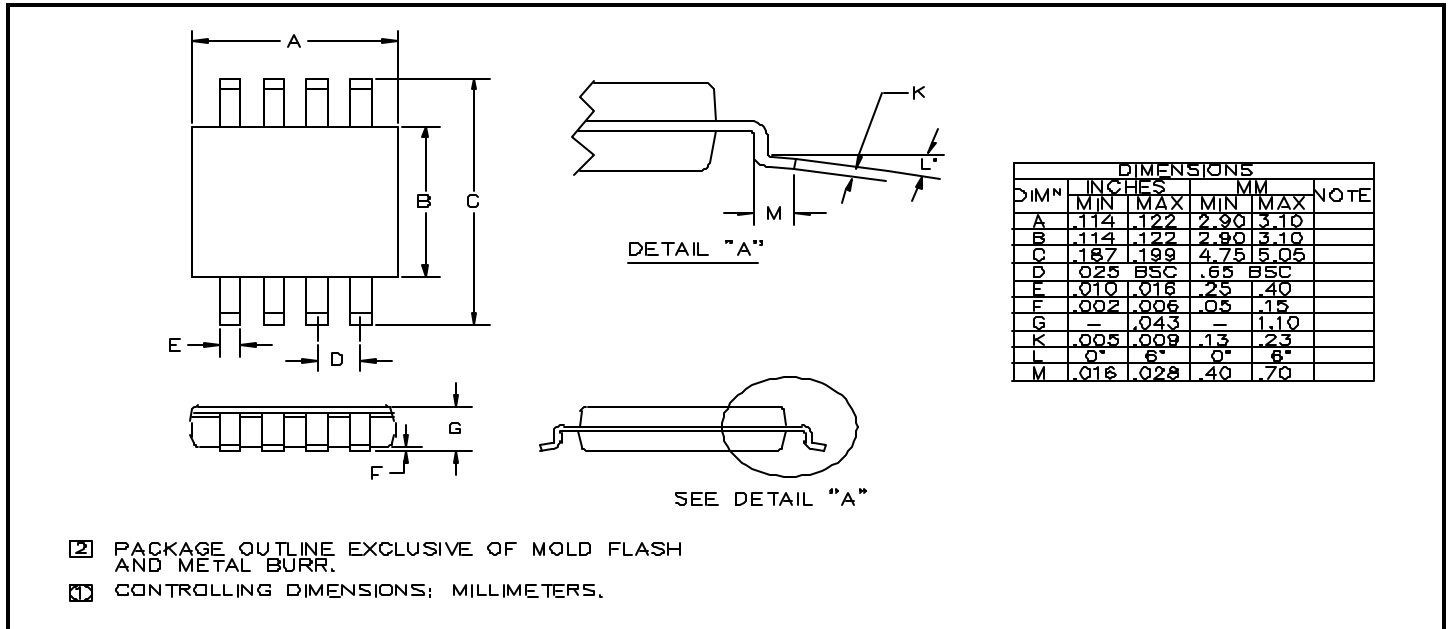
$$\text{Power Dissipation} < \frac{125^\circ\text{C} - T_A}{\theta_{JA}}$$

where  $T_A$  = ambient temperature.

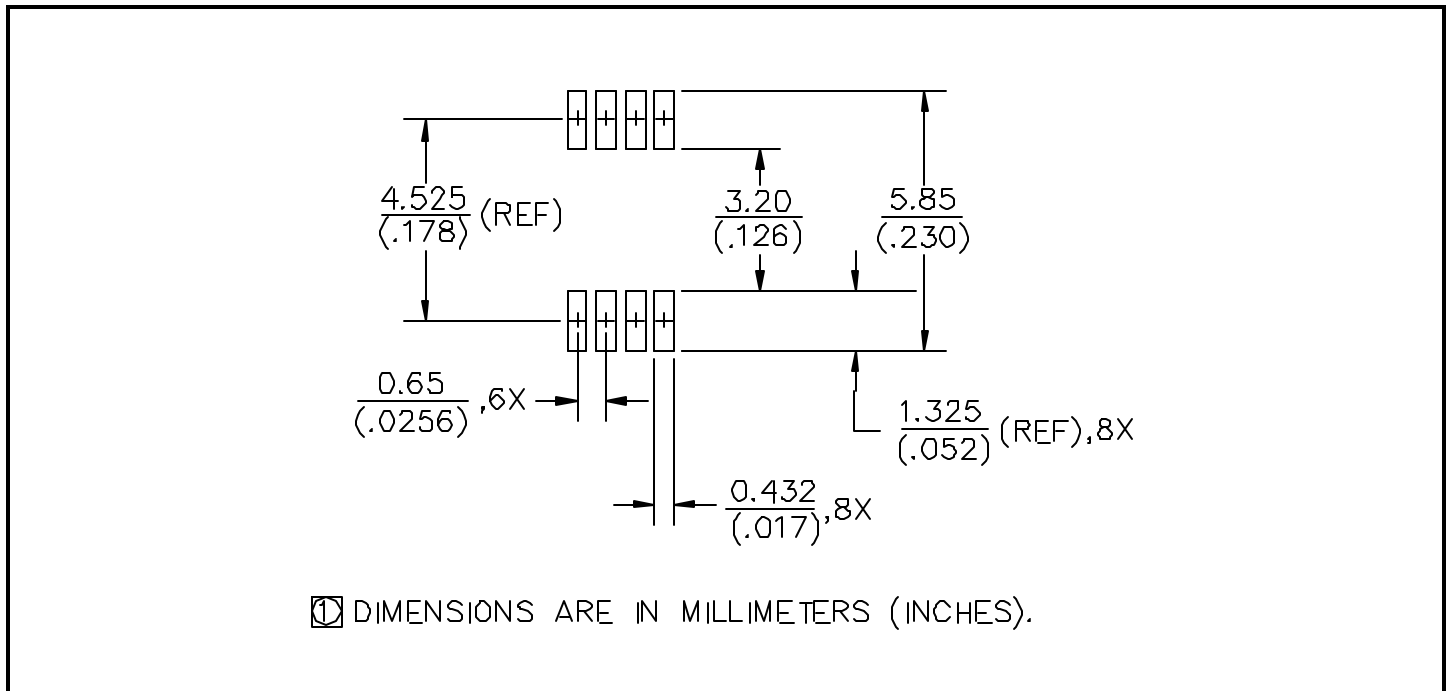


## POWER MANAGEMENT

## Outline Drawing - MSOP-8

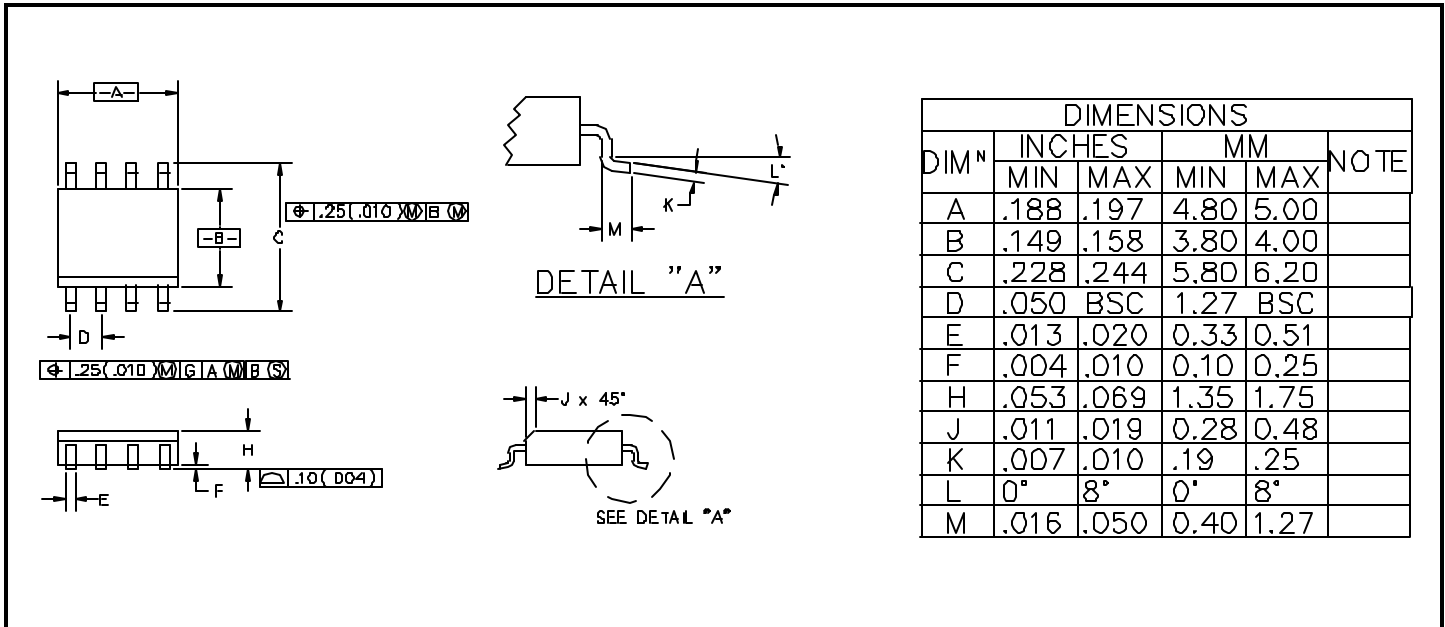


## Land Pattern - MSOP-8

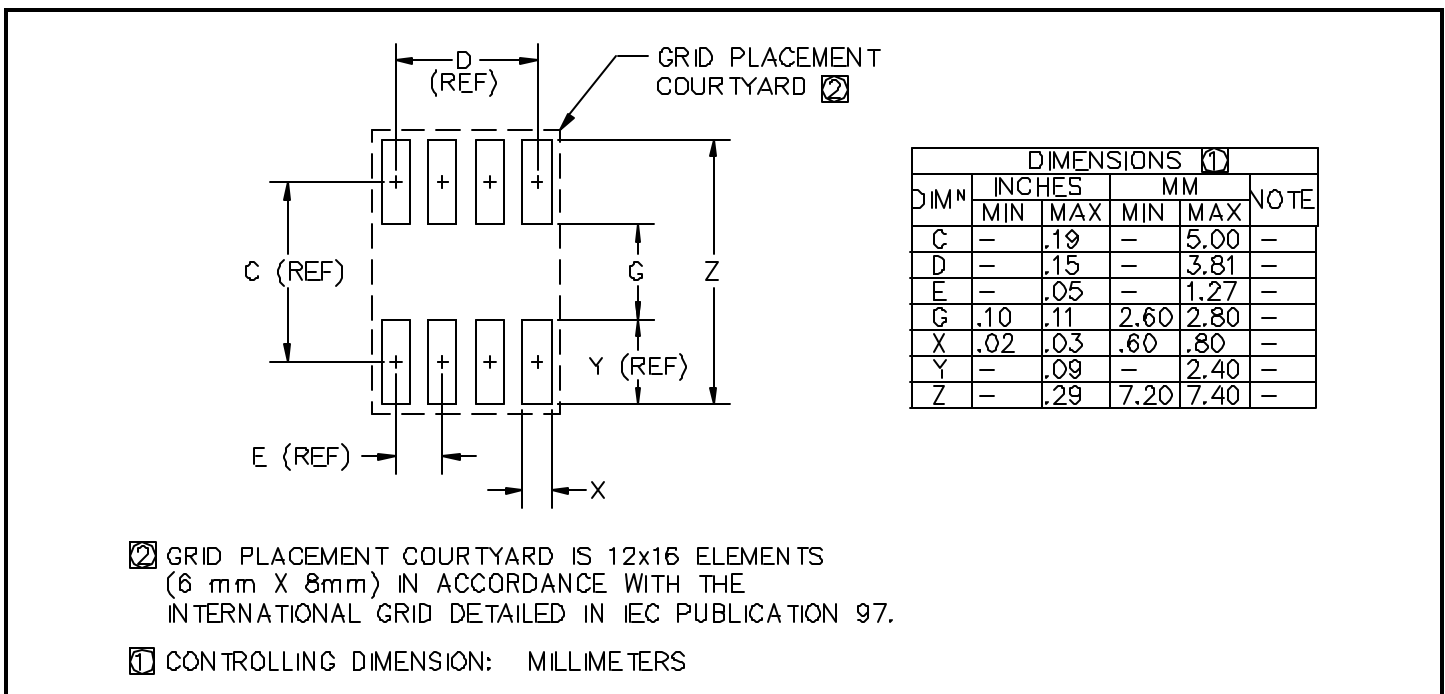


## POWER MANAGEMENT

## Outline Drawing - SO-8



## Land Pattern - SO-8



## Contact Information

Semtech Corporation  
 Power Management Products Division  
 200 Flynn Rd., Camarillo, CA 93012  
 Phone: (805)498-2111 FAX (805)498-3804