

TLP3020(S), TLP3021(S), TLP3022(S), TLP3023(S)

OFFICE MACHINE

HOUSEHOLD USE EQUIPMENT

TRIAC DRIVER

SOLID STATE RELAY

Unit in mm

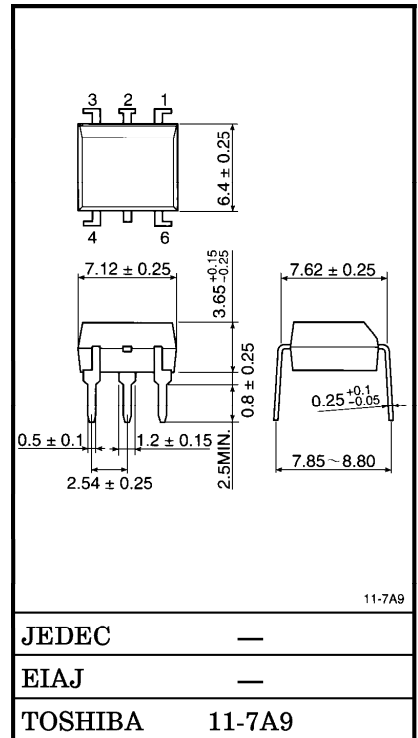
The TOSHIBA TLP3020 (S), TLP3021 (S), TLP3022 (S) and TLP3023 (S) consist of a photo-triac optically coupled to a gallium arsenide infrared emitting diode in a six lead plastic DIP. All parameters are tested to the specification of TLP3020, TLP3021, TLP3022, TLP3023.

- Peak Off-State Voltage : 400 V (Min.)
- Trigger LED Current : 30 mA (Max.) (TLP3020)
15 mA (Max.) (TLP3021)
10 mA (Max.) (TLP3022)
5 mA (Max.) (TLP3023)
- On-State Current : 100 mA (Max.)
- UL Recognized : UL1577, File No. E67349
- Isolation Voltage : 5000 V_{rms} (Min.)
- SEMKO Approved : SS EN60065
SS EN60950
SS EN60335
- Option (D4) Type
VDE Approved : DIN VDE0884 / 06.92
Certificate No. 68329

Maximum Operating Insulation Voltage : 890 V_{PK}

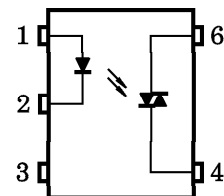
Highest Permissible Over Voltage : 8000 V_{PK}

(Note) When a VDE0884 approved type is needed, please designate the "Option (D4)"



Weight : 0.39 g

PIN CONFIGURATION (Top view)



- 1 : ANODE
- 2 : CATHODE
- 3 : N.C.
- 4 : TERMINAL 1
- 6 : TERMINAL 2

980910EBC1

- TOSHIBA is continually working to improve the quality and the reliability of its products. Nevertheless, semiconductor devices in general can malfunction or fail due to their inherent electrical sensitivity and vulnerability to physical stress. It is the responsibility of the buyer, when utilizing TOSHIBA products, to observe standards of safety, and to avoid situations in which a malfunction or failure of a TOSHIBA product could cause loss of human life, bodily injury or damage to property. In developing your designs, please ensure that TOSHIBA products are used within specified operating ranges as set forth in the most recent products specifications. Also, please keep in mind the precautions and conditions set forth in the TOSHIBA Semiconductor Reliability Handbook.
- Gallium arsenide (GaAs) is a substance used in the products described in this document. GaAs dust and fumes are toxic. Do not break, cut or pulverize the product, or use chemicals to dissolve them. When disposing of the products, follow the appropriate regulations. Do not dispose of the products with other industrial waste or with domestic garbage.
- The products described in this document are subject to the foreign exchange and foreign trade laws.
- The information contained herein is presented only as a guide for the applications of our products. No responsibility is assumed by TOSHIBA CORPORATION for any infringements of intellectual property or other rights of the third parties which may result from its use. No license is granted by implication or otherwise under any intellectual property or other rights of TOSHIBA CORPORATION or others.
- The information contained herein is subject to change without notice.

	7.62 mm pitch standard type	10.16 mm pitch (LF2) type
Creepage Distance	7.0 mm (Min.)	8.0 mm (Min.)
Clearance	7.0 mm (Min.)	8.0 mm (Min.)
Insulation Thickness	0.5 mm (Min.)	0.5 mm (Min.)