



CMOS DTMF INTEGRATED RECEIVER

Features

- Advanced CMOS technology for low power consumption and increased noise immunity
- Complete DTMF Transmitter/Receiver
- Standard 6500/6800 microprocessor port
- Central office quality and performance
- Adjustable guard time
- Automatic tone burst mode
- Call progress mode
- Single +5 volt power supply
- 20-pin DIP, 20-pin DIP EIAJ, 20-pin SOIC, 28-pin PLCC packages
- 2MHz microprocessor port operation
- No continuous Φ clock required, only strobe

Applications

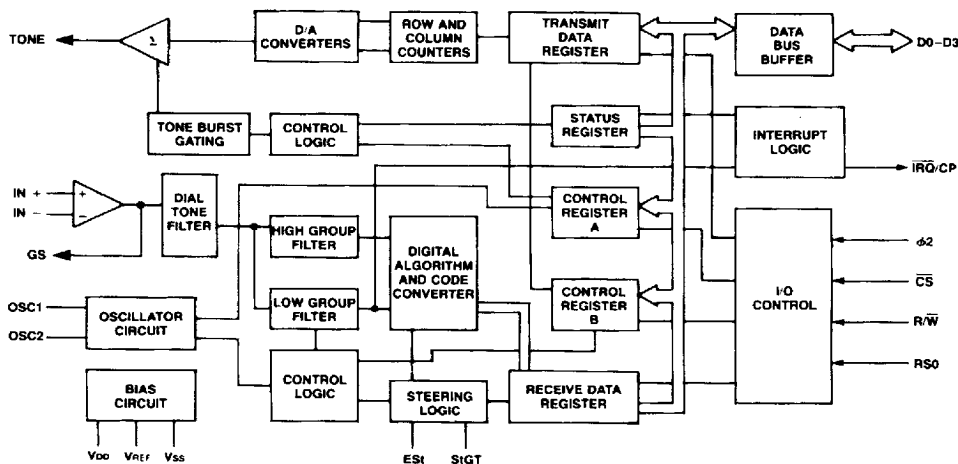
- Paging systems
- Repeater systems/mobile radio
- Interconnect dialers
- PABX systems
- Computer systems
- Fax machines
- Pay telephones
- Credit card verification

Contact factory for complete data sheet.

Product Description

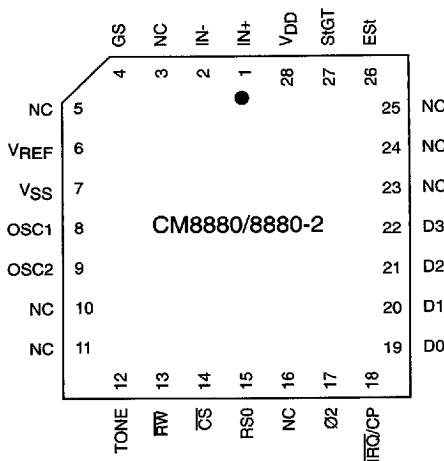
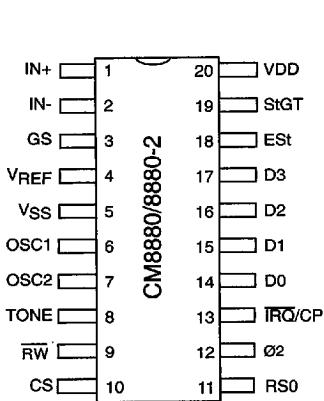
The CMD CM8880/8880-2 is a fully integrated DTMF Transceiver, featuring adjustable guard time, automatic tone burst mode, call progress mode, and a fully compatible 6500/6800 microprocessor interface. The CM8880/8880-2 is manufactured using state-of-the-art advanced CMOS technology for low power consumption and precise data handling. The CM8880/8880-2 is based on the industry standard CM8870 DTMF Receiver, while the transmitter utilizes a switched-capacitor D/A converter for low distortion, highly accurate DTMF signaling. Internal counters provide an automatic tone burst mode which allows tone bursts to be transmitted with precise timing. A call progress filter can be selected by an external microprocessor for analyzing call progress tones. The CM8880-2 is electrically equivalent to the CM8880 but does not include the call progress function.

Block Diagram





Pin Assignments



Ordering Information

Example:

CM8880/-2 P I

Product Identification Number

CM8880 — Call Progress Mode
 CM8880-2 — Without Call Progress Mode

Package

P — Plastic DIP (20)
 F — Plastic DIP EIAJ (20)
 PE — PLCC (28)
 S — SOIC (20)

Temperature/Processing

I — -40°C to +85°C, ±5% P.S. Tol.

