

MOS INTEGRATED CIRCUIT
 μ PD22100, 22148

CROSSPOINT SWITCH WITH CONTROL MEMORY
 CMOS IC

The μ PD22100 consists of 16 crosspoint switches organized in 4 rows and 4 columns, and the μ PD22148 consists of 32 crosspoint switches organized in 4 row and 8 columns. Any of the 16 or 32 switches can be selected by applying appropriate address. The selected crosspoint turns on if during strobe and data In are high and turns off if during strobe and data In are low.

FEATURES

μ PD22100

- 4 × 4 CROSSPOINT SWITCHES
- INTERNAL POWER ON RESET FUNCTION
- Low ON-RESISTANCE
60 Ω Typ. ($V_{DD} = 15 V$)
- Wide operating temperature Range
-40 °C to +85 °C

μ PD22148

- 4 × 8 CROSSPOINT SWITCHES
- Including the Level Shifter Circuit
- Low ON-RESISTANCE
60 Ω Typ. ($V_{DD} = 15 V$)
- Wide operating temperature Range
-40 °C to +85 °C

ORDERING INFORMATION

Part Number	Package
μ PD22100C	16 pin plastic DIP (300 mil)
μ PD22100GS	16 pin plastic SOP (300 mil)
μ PD22148CA	22 pin plastic shrink DIP (300 mil)

TRUTH TABLE

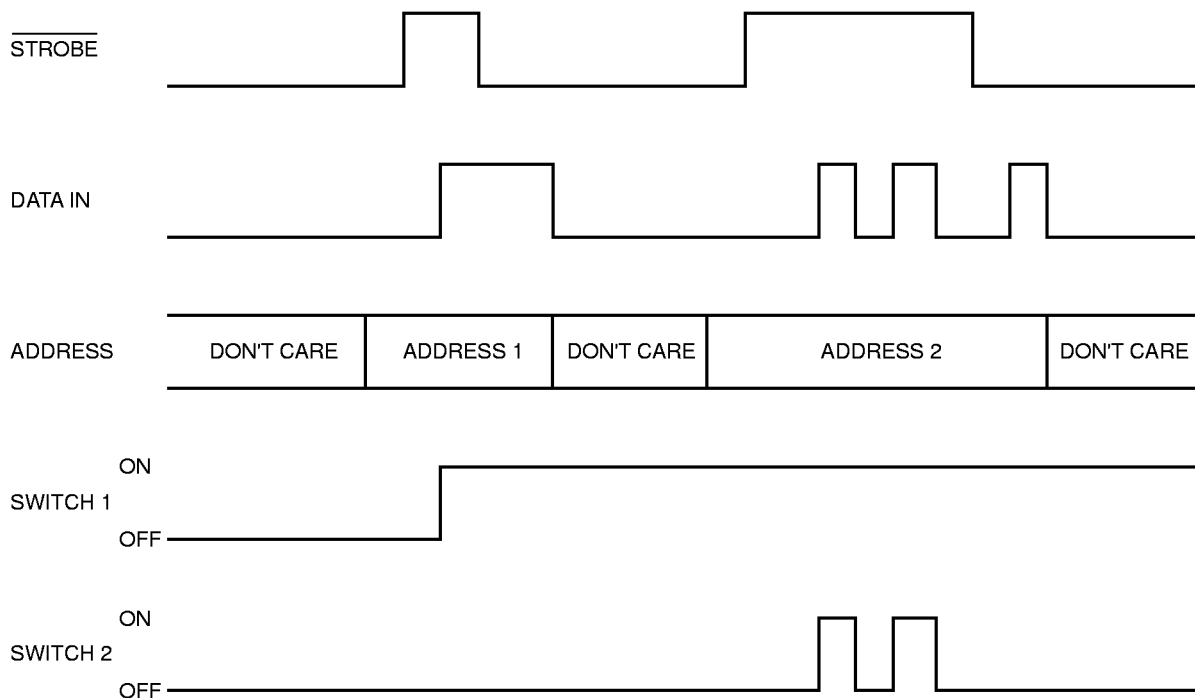
■ μ PD22100

INPUT						SELECTED CHANNELS															
S	D	C	B	A	DATA	Y ₀ X ₀	Y ₀ X ₁	Y ₀ X ₂	Y ₀ X ₃	Y ₁ X ₀	Y ₁ X ₁	Y ₁ X ₂	Y ₁ X ₃	Y ₂ X ₀	Y ₂ X ₁	Y ₂ X ₂	Y ₂ X ₃	Y ₃ X ₀	Y ₃ X ₁	Y ₃ X ₂	Y ₃ X ₃
L	X	X	X	X	X	NC	→														
H	L	L	L	L	L	OFF	NC	→													
H	L	L	L	L	H	ON	NC	→													
H	L	L	L	H	L	NC	OFF	NC	→												
H	L	L	L	H	H	NC	ON	NC	→												
H	L	L	H	L	L	NC	→	OFF	NC	→											
H	L	L	H	L	H	NC	→	ON	NC	→											
H	L	L	H	H	L	NC	→	OFF	NC	→											
H	L	L	H	H	H	NC	→	ON	NC	→											
⋮	⋮	⋮	⋮	⋮	⋮	⋮	⋮														
H	H	H	H	H	L	NC	→														OFF
H	H	H	H	H	H	NC	→														ON

■ μPD22148

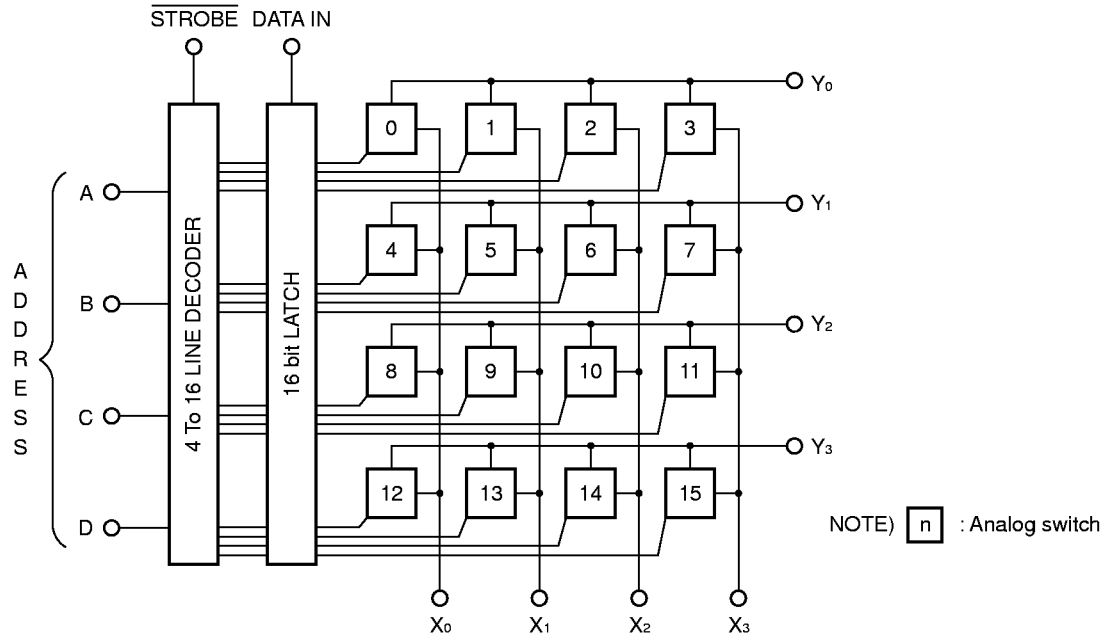
INPUTS						SELECTED CHANNELS																																
S	E	D	C	B	A	DATA	Y ₀	Y ₀	Y ₀	Y ₀	Y ₁	Y ₁	Y ₁	Y ₁	Y ₂	Y ₂	Y ₂	Y ₂	Y ₃	Y ₃	Y ₃	Y ₃	Y ₄	Y ₄	Y ₄	Y ₄	Y ₅	Y ₅	Y ₅	Y ₅	Y ₆	Y ₆	Y ₆	Y ₆	Y ₇	Y ₇	Y ₇	Y ₇
							X ₀	X ₁	X ₂	X ₃	X ₀	X ₁	X ₂	X ₃	X ₀	X ₁	X ₂	X ₃	X ₀	X ₁	X ₂	X ₃	X ₀	X ₁	X ₂	X ₃	X ₀	X ₁	X ₂	X ₃	X ₀	X ₁	X ₂	X ₃	X ₀	X ₁	X ₂	X ₃
L	X	X	X	X	X	X	NC																															
H	L	L	L	L	L	L	OFF NC																															
H	L	L	L	L	L	H	ON NC																															
H	L	L	L	L	H	L	NC OFF NC																															
H	L	L	L	L	H	H	NC ON NC																															
H	L	L	L	H	L	L	NC → OFF																															
H	L	L	L	H	L	H	NC → ON NC																															
H	L	L	L	H	H	L	NC → OFF NC																															
H	L	L	L	H	H	H	NC → ON NC																															
H	L	L	H	L	L	L	NC → OFF NC																															
H	L	L	H	L	L	H	NC → ON NC																															
H	L	L	H	L	H	L	NC → OFF NC																															
H	L	L	H	L	H	H	NC → ON NC																															
H	L	L	H	H	L	L	NC → OFF NC																															
H	L	L	H	H	L	H	NC → ON NC																															
⋮	⋮	⋮	⋮	⋮	⋮	⋮	⋮																															
H	H	H	H	H	H	L	NC → OFF																															
H	H	H	H	H	H	H	NC → ON																															

TIMING DIAGRAM

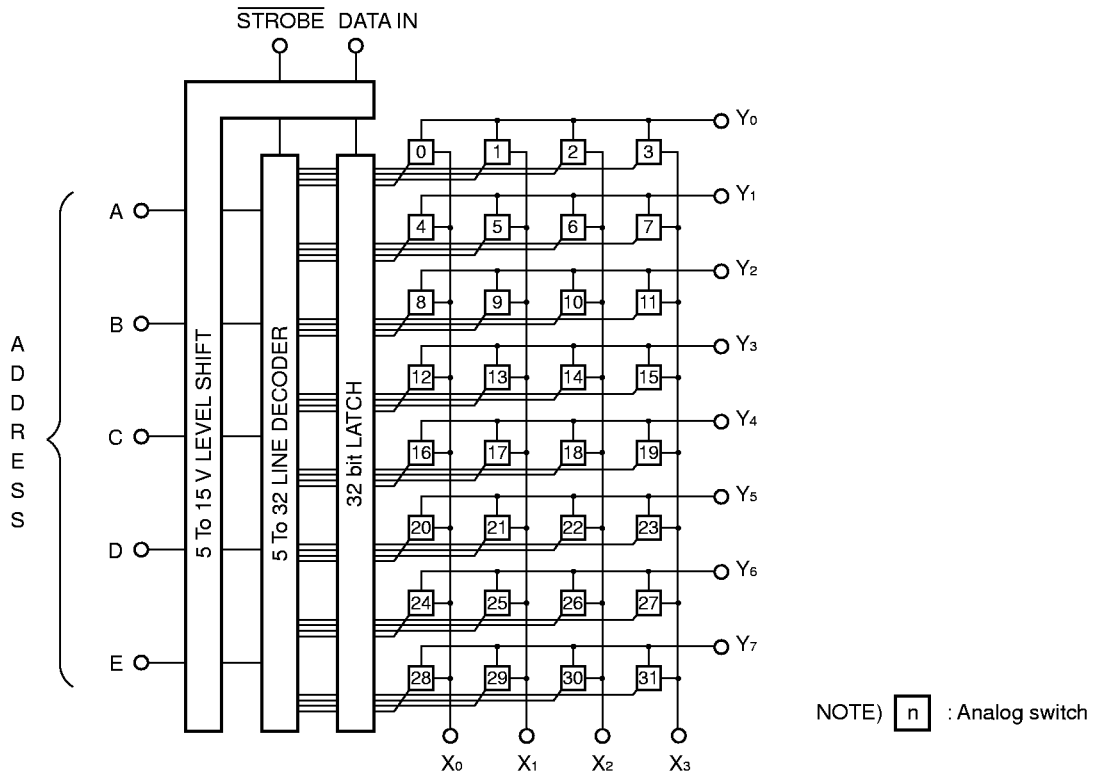


BLOCK DIAGRAM

■ μPD22100

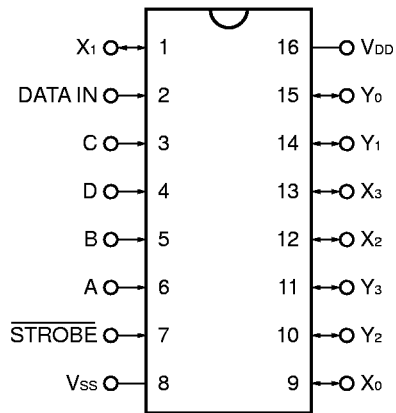


■ μPD22148

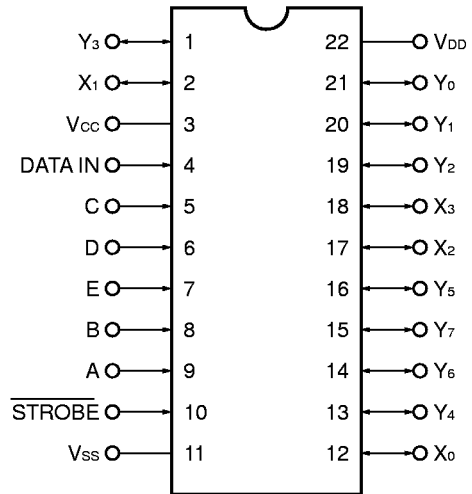


CONNECTION DIAGRAM (TOP VIEW)

■ μ PD22100



■ μ PD22148



■ μPD22100

ABSOLUTE MAXIMUM RATINGS (T_a = 25 °C, V_{SS} = 0 V)

DC Supply Voltage	V _{DD}	-0.5 to +20	V
Input Voltage	V _I	-0.5 to V _{DD} + 0.5	V
Input Current	I _I	10	mA
Power Dissipation	P _D	200	mW
Operating Temperature	T _{opt}	-40 to +85	°C
Storage Temperature	T _{stg}	-65 to +125	°C

RECOMMENDED OPERATING CONDITIONS (T_a = -40 to +85 °C)

CHARACTERISTIC	SYMBOL	MIN.	TYP.	MAX.	UNIT	CONDITIONS
Operating Voltage	V _{DD}	3		18	V	
Input Voltage (Control)	V _{IH}	0.7 V _{DD}		V _{DD}	V	
Input Voltage (Control)	V _{IL}	0		0.3 V _{DD}	V	
Analog Input Voltage	V _{IA}	V _{SS}		V _{DD}	V	V _{xn} - V _{yn} ≤ 0.5 V

ELECTRICAL CHARACTERISTICS

CHARACTERISTIC	SYMBOL	T _a = -40 °C		T _a = 25 °C			T _a = +85 °C		UNIT	V _{DD} (V)	CONDITIONS
		MIN.	MAX.	MIN.	TYP.	MAX.	MIN.	MAX.			
On-State Resistance	R _{ON}		530		160	650		820	Ω	5	$V_{IS} = \frac{V_{DD} - V_{SS}}{2}$
			100		80	120		150		10	
			75		70	90		120		12	
			70		60	85		110		15	
On-State Resistance Difference Between Any Two Switches	ΔR _{ON}				35				Ω	5	$V_{IS} = \frac{V_{DD} - V_{SS}}{2}$
					20					10	
					18					12	
					15					15	
Input Leakage Current	I _L		±300		±1	±300		±10000	nA	18	All Switches OFF
Input Voltage	V _{IH}	3.5		3.5			3.5		V	5	Switch ON R _{ON} < R _{ON} MAX.
		7		7			7			10	
		11		11			11			15	
Input Voltage	V _{IL}		1.5			1.5		1.5	V	5	Switch OFF I _L < 0.2 μA
			3			3		3		10	
			4			4		4		15	
Input Current	I _I		±0.3		±10 ⁻⁵	±0.3		±1	μA	18	V _I = V _{SS} , V _{DD}
Quiescent Current	I _{DD}		5		0.04	5		150	μA	5	V _I = V _{SS} , V _{DD}
			10		0.04	10		300		10	
			20		0.04	20		600		15	
			100		0.08	100		3000		20	

SWITCHING TIME CHARACTERISTICS (T_a = 25 °C)

CHARACTERISTIC	SYMBOL	MIN.	TYP.	MAX.	UNIT	V _{DD} (V)	CONDITIONS		
Propagation Delay Time	t _{PLH} t _{PHL}		30	60	ns	5	Signal INPUT → Signal OUTPUT R _L = 10 kΩ, C _L = 50 pF. t _r = t _f = 20 ns		
			15	30		10			
			10	20		15			
	t _{PZH}		300	600	ns	5	Strobe INPUT → OUTPUT R _L = 1 kΩ C _L = 50 pF t _r , t _f = 20 ns		
			125	250		10			
			80	160		15			
	t _{PZH}		210	420	ns	5	Data INPUT → OUTPUT		
			110	220		10			
			100	150		15			
	t _{PZL}		350	700	ns	5	Address INPUT → OUTPUT		
			135	270		10			
			90	180		15			
	t _{PHZ}		165	330	ns	5	Strobe INPUT → OUTPUT		
			85	170		10			
			70	140		15			
	t _{PZL}		210	420	ns	5	Data INPUT → OUTPUT		
			110	220		10			
			100	150		15			
	t _{PHZ}		435	870	ns	5	Address INPUT → OUTPUT		
			210	420		10			
			160	320		15			
	Set Up Time	t _{set up}		95	190	ns	5	Data INPUT Strobe → Address	
				25	50		10		
				15	30		15		
Hold Time	t _{hold}		180	360	ns	5	Data INPUT Strobe INPUT → Address INPUT		
			110	220		10			
			60	120		15			
Frequency	f _{φmax.}	0.6	1.2		MHz	5	R _L = 1 kΩ, C _L = 50 pF t _r , t _f = 20 ns		
		1.6	3.2			10			
		2.5	5			15			
Strobe Pulse Width	PW (STROBE)		300	600	ns	5			
			120	240		10			
			90	190		15			
Crosstalk Voltage		75			mV (peak)	10	R _L = 10 kΩ t _r = t _f = 20 ns Rectrangular		
INPUT Capacitance	C _{IN}		5	7.5	pF		Data, Strobe, Address INPUT		
			30		pF		Signal	X _n	
			30		pF		INPUT	Y _n	
Feedthrough Capacitance	C _{IN/OUT}		0.4		pF				
Frequency Response (Switch ON)	—		40		MHz	10	R _L = 1 kΩ, V _{IS} = 5 V _(p-p) 20 log $\frac{V_{OS}}{V_{IS}}$ = -3 dB		
Feedthrough Attenuation (Switch Off)	—		-80		dB	10	R _L = 1 kΩ, f = 1.6 kHz, V _{IS} = 5 V _(p-p) Sine Wave Input		
Sine Wave Distortion	—		0.5		%	10	R _L = 1 kΩ, V _{IS} = 5 V _(p-p) f = 1 kHz		
Crosstalk Between Any Two Switches	—		1.5		MHz	10	R _L = 1 kΩ SW(A) = ON SW(B) = OFF	20 log $\frac{V_o(B)}{V_i(A)}$ = -40 dB	

■ μPD22148

ABSOLUTE MAXIMUM RATINGS (Ta = 25 °C, Vss = 0 V)

DC Supply Voltage 1	V _{DD}	V _{CC} to +20	V
DC Supply Voltage 2	V _{CC}	-0.5 to +6	V
Input Voltage	V _I	-0.5 to V _{CC} + 0.5	V
Input Voltage (Analog)	V _{IA}	-0.5 to V _{DD} + 0.5	V
Input Current	I _I	±10	mA
Power Dissipation	P _D	200	mW
Operating Temperature	T _{opt}	-40 to +85	°C
Storage Temperature	T _{stg}	-65 to +125	°C

RECOMMENDED OPERATING CONDITIONS (Ta = -40 to +85 °C)

CHARACTERISTIC	SYMBOL	MIN.	TYP.	MAX.	UNIT	CONDITIONS
Operating Voltage 1	V _{DD}	V _{CC}		18	V	
Operating Voltage 2	V _{CC}	4.5	5	5.5	V	
Input Voltage (Control)	V _{IH}	0.7 V _{CC}		V _{CC}	V	
Input Voltage (Control)	V _{IL}	0		0.3 V _{CC}	V	
Analog Input Voltage	V _{IA}	V _{SS}		V _{DD}	V	V _{xn} - V _{yn} ≤ 0.5 V

ELECTRICAL CHARACTERISTICS

CHARACTERISTIC	SYMBOL	Ta = -40 °C		Ta = 25 °C			Ta = +85 °C		UNIT	V _{DD} (V)	CONDITIONS
		MIN.	MAX.	MIN.	TYP.	MAX.	MIN.	MAX.			
On-State Resistance	R _{ON}		530		160	650		820	Ω	5	$V_{IS} = \frac{V_{DD} - V_{SS}}{2}$
			100		80	120		150		10	
			75		70	90		120		12	
			70		60	85		110		15	
On-State Resistance Difference Between Any Two Switches	ΔR _{ON}				35				Ω	5	$V_{IS} = \frac{V_{DD} - V_{SS}}{2}$
					20					10	
					18					12	
					15					15	
Input Leakage Current	I _L		±300		±1	±300		±10000	nA	18	All Switches OFF
Input Voltage	V _{IH}	3.5		3.5				3.5	V	—	V _{CC} = 5 V V _{DD} > 10 V
Input Voltage	V _{IL}		1.5			1.5		1.5	V	—	V _{CC} = 5 V V _{DD} > 10 V
Input Current	I _I		±0.3		±10 ⁻⁵	±0.3		±1	μA	—	V _{CC} = 6 V V _I = V _{SS} , V _{CC}
Quiescent Current	I _{DD}		10		0.08	10		300	μA	5	V _I = V _{SS} , V _{DD}
			20		0.08	20		600		10	
			40		0.16	40		1200		15	

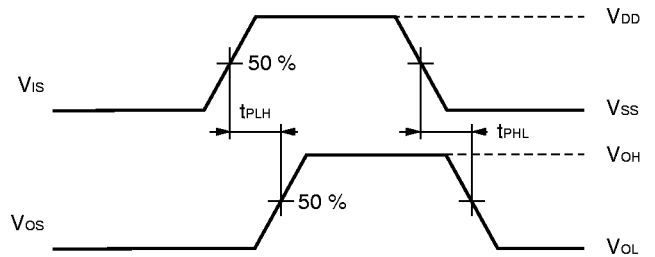
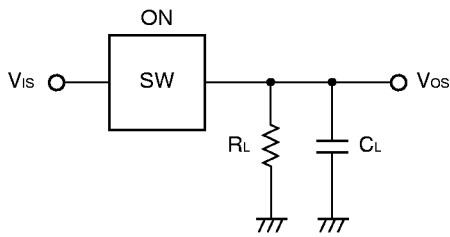
SWITCHING TIME CHARACTERISTICS (T_a = 25 °C)

CHARACTERISTIC	SYMBOL	MIN.	TYP.	MAX.	UNIT	V _{DD} (V)	CONDITIONS			
Propagation Delay Time	t _{PLH} t _{PHL}		30	60	ns	5	Signal INPUT → Signal OUTPUT R _L = 10 kΩ, C _L = 50 pF. t _r = t _f = 20 ns			
			15	30		10				
			10	20		15				
	t _{PZH}		400	800	ns	5	Strobe INPUT → OUTPUT	R _L = 1 kΩ C _L = 50 pF t _r , t _f = 20 ns		
			225	450		10				
			180	360		15				
	t _{PZH}		310	620	ns	5	Data INPUT → OUTPUT			
			220	440		10				
			200	400		15				
	t _{PZH}		450	900	ns	5	Address INPUT → OUTPUT			
			235	470		10				
			190	380		15				
	t _{PHZ}		265	530	ns	5	Strobe INPUT → OUTPUT			
			185	370		10				
			170	340		15				
	t _P		310	620	ns	5	Data INPUT → OUTPUT			
			210	420		10				
			200	400		15				
	t _{PHZ}		535	1070	ns	5	Address INPUT → OUTPUT			
			310	720		10				
			260	520		15				
	Set Up Time	t _{set up}		140	280	ns	5	Data INPUT Strobe → Address		
				70	140		10			
				60	120		15			
Hold Time	t _{hold}		270	540	ns	5	Data INPUT Strobe INPUT → Address INPUT			
			180	360		10				
			110	220		15				
Frequency	f _{φmax.}	0.6	1.2		MHz	5	R _L = 1 kΩ, C _L = 50 pF t _r , t _f = 20 ns			
		1.6	3.2			10				
		2.5	5			15				
Strobe Pulse Width	PW (STROBE)		300	600	ns	5				
			120	240		10				
			90	190		15				
Crosstalk Voltage		75			mV (peak)	10	R _L = 10 kΩ t _r = t _f = 20 ns Rectrangular			
INPUT Capacitance	C _{IN}		5	7.5		pF	Data, Strobe, Address INPUT			
			105			pF	Signal	X _n		
			75				INPUT	Y _n		
Feedthrough Capacitance	C _{IN/OUT}		1.1			pF				
Frequency Response (Switch ON)	—		15			MHz	10	R _L = 1 kΩ, V _{IS} = 5 V _(p-p) 20 log $\frac{V_{OS}}{V_{IS}}$ = -3 dB		
Feedthrough Attenuation (Switch Off)	—		-60			dB	10	R _L = 1 kΩ, f = 1.6 kHz, V _{IS} = 5 V _(p-p) Sine Wave Input		
Sine Wave Distortion	—		0.5			%	10	R _L = 1 kΩ, V _{IS} = 5 V _(p-p) f = 1 kHz		
Crosstalk Between Any Two Switches	—		1.5			MHz	10	R _L = 1 kΩ SW(A) = ON SW(B) = OFF 20 log $\frac{V_o(B)}{V_i(A)}$ = -40 dB V _{CC} = 5 V		

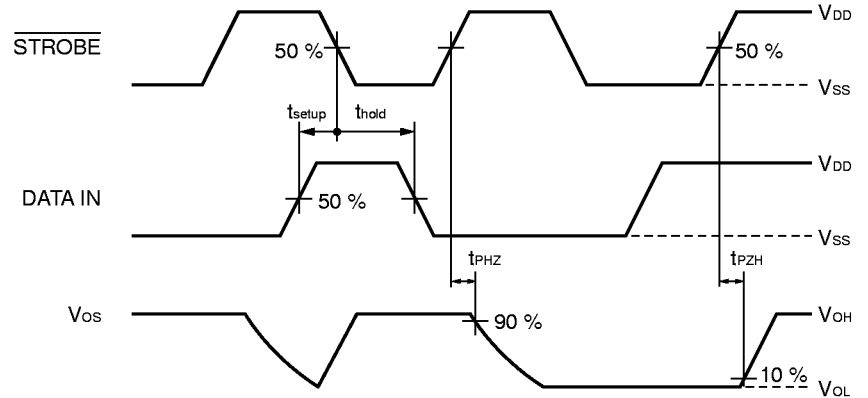
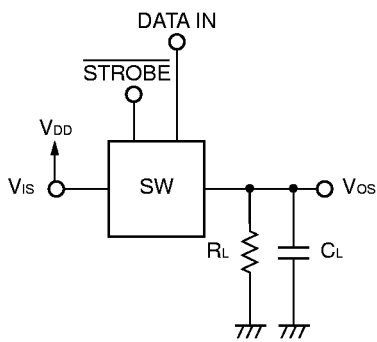
TEST CIRCUITS

■ PROPAGATION DELAY TIMES

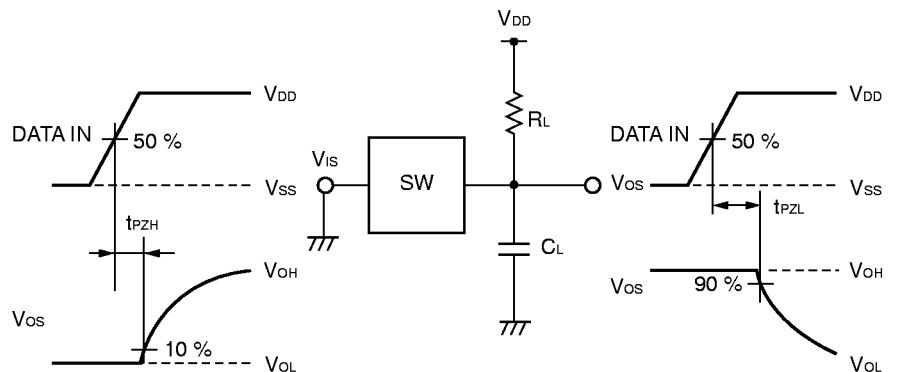
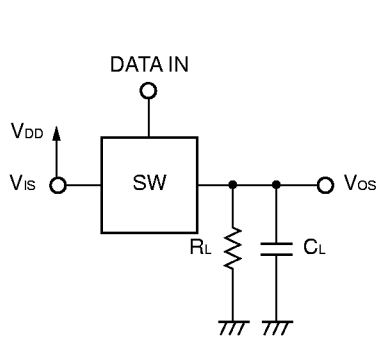
(1) SIGNAL INPUT \rightarrow SIGNAL OUTPUT



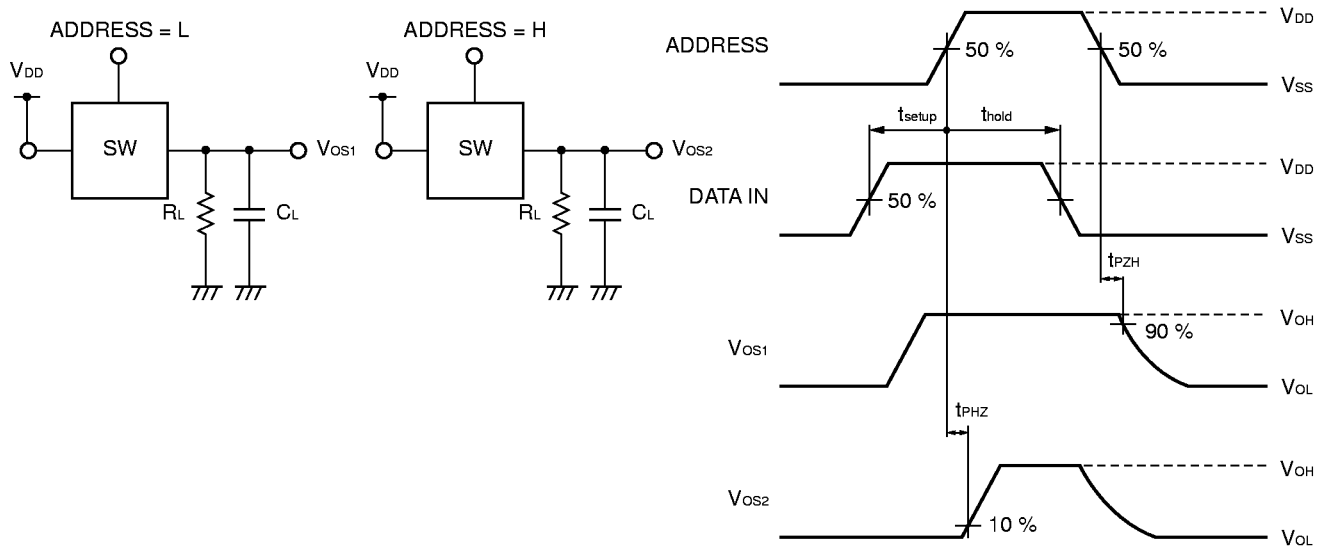
(2) $\overline{\text{STROBE}}$ INPUT \rightarrow OUTPUT



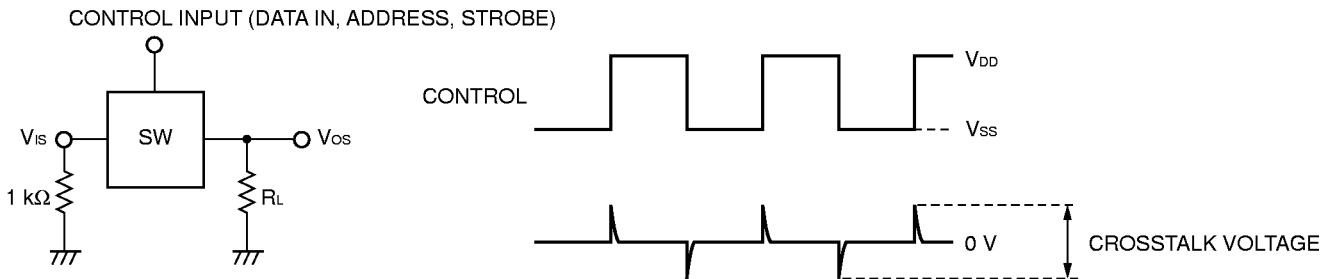
(3) DATA INPUT \rightarrow OUTPUT ($\overline{\text{STROBE}} = V_{DD}$)



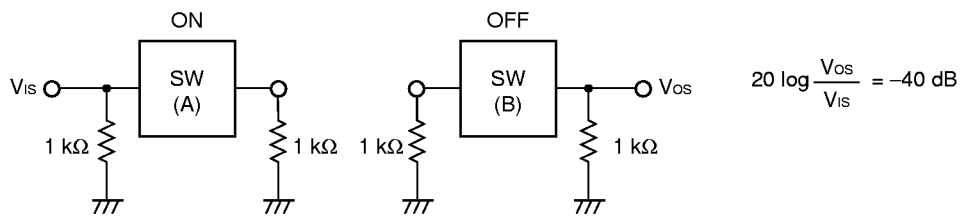
(4) ADDRESS INPUT → OUTPUT ($\overline{\text{STROBE}} = V_{DD}$)



■ CROSSTALK VOLTAGE

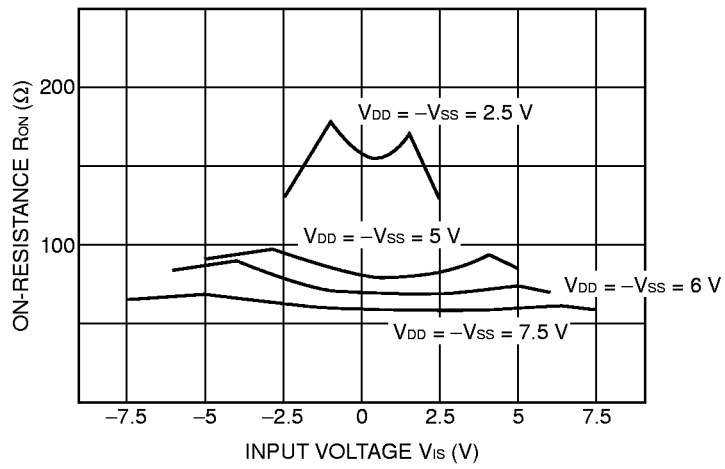


■ CROSSTALK FREQUENCY

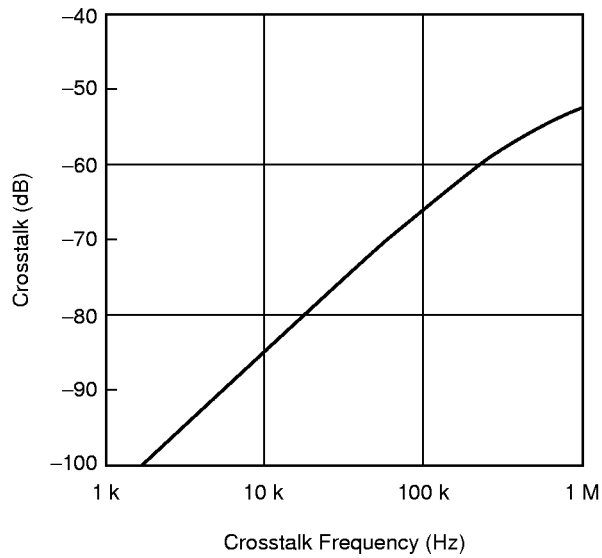


TYPICAL CHARACTERISTICS ($T_a = 25\text{ }^\circ\text{C}$)

(A) $R_{ON} - V_{IS}$ Characteristics

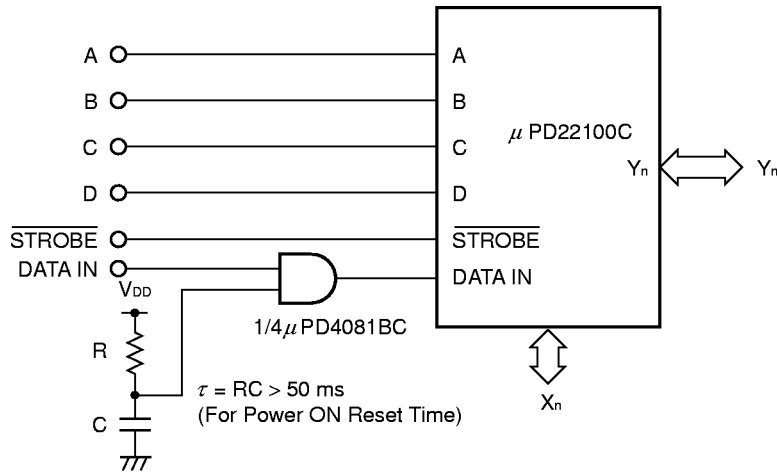


(B) Crosstalk Frequency Characteristics

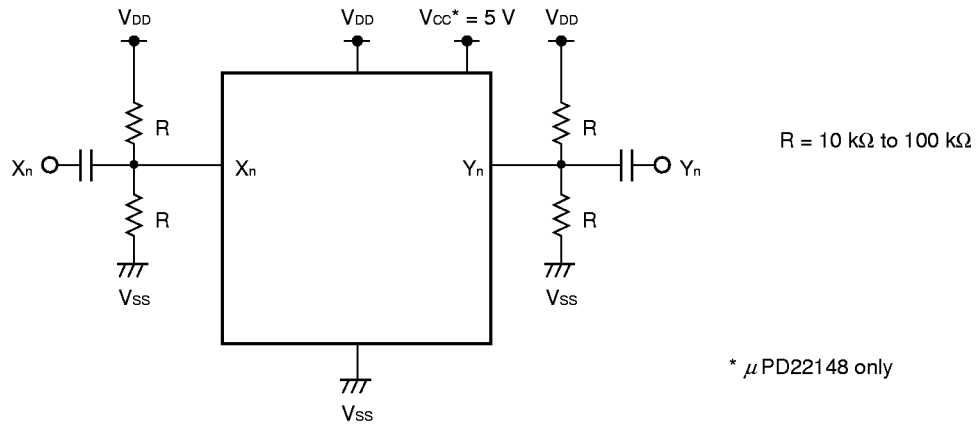


APPLICATION CIRCUITS

■ μ PD22100



■ μ PD22100/22148 BIAS CIRCUIT



* μ PD22148 only