



# StrongARM\*\* SA-1100 Microprocessor Evaluation Platform

## Brief Datasheet

### Product Features

Intel offers a StrongARM\*\* SA-1100 hardware developer's kit and evaluation platform that manufacturers can use as a hardware reference design and as a tool for developing and testing software. Designers can easily extract portions of the board and accompanying SA-1100 schematics to expedite product design. The evaluation platform provides a wide variety of design and development features, including the SA-1100 processor, onboard memory (SRAM, DRAM, Flash, and ROM), LCD panels, touch screen, keyboard, audio accessories (telephone jack, microphone, and speaker), PCMCIA connector, serial I/O interfaces (USB port, IrDA infrared support, SDLC port, and two UART ports), and logic analyzer connectors.

The SA-1100 evaluation platform is a design verification platform for the SA-1100 microprocessor. It is intended to meet the following requirements:

- Provide a power-up vehicle for the SA-1100 microprocessor
- Provide an evaluation board for the SA-1100 microprocessor
- Provide a software development environment

### Benefits

- The tools help OEMs and third-party software application providers easily and quickly deliver leadership products based upon the SA-1100 microprocessor.
- The hardware developer's kit expedites the development of successful customer products by providing detailed, royalty-free application examples.
- The tools reduce developer time and effort to:
  - Generate and benchmark code
  - Simulate processors and memory
  - Download code to target hardware
  - Debug efficiently and rapidly
- The evaluation board enables software testing prior to hardware system availability.

## Features

- High-performance, low-power integrated processor configured to run at speeds ranging from 133 MHz to 200 MHz
- Provides the following memory configurations:
  - 512KB of SRAM
  - 16MB of self-refresh capable EDO RAM
  - Switch to enable SRAM or DRAM
  - 256KB of 32-bit wide or 128KB of 16-bit wide (switch selectable) 3.3-V only Flash
  - 256KB of 32-bit wide or 128KB of 16-bit wide (switch selectable) 3.3-V only ROM
  - Socket allowing installation of an operating system Boot ROM SIMM (3.3 V, 5 V, or 12 V)
  - Footprints for one pair of 1M x 16 higher performance Flash components
- External register is implemented and performs the following functions:
  - Controls application of 12 V to the PCMCIA card (Flash)
  - Controls application of 5 V to the PCMCIA card
  - Monitors the voltage sense pins
- Clocks provided
  - 32.768-kHz crystal
  - 3.6864-MHz crystal
  - Oscillators
  - Coax connectors (to pulse generators)
- LCD panels
  - Kyocera KCS3224ASTT-X1 8-bpp color, STN, with a resolution of 320 x 240 single panel
  - Sharp LQ64D341 18-bpp color (16 used), TFT, with a resolution of 320 x 240 single panel
- PCMCIA supporting one or two socket PCMCIA implementations
- Audio accessories
  - Telephone jack
  - Microphone
  - Speaker
- Fujitsu FKB1406 keyboard
- Serial I/O interfaces
  - Universal serial bus (USB) device port
  - IrDA infrared support
  - Synchronous data link controller (SDLC)
  - Two universal asynchronous receiver-transmitter (UART) ports
- Debug and evaluation logic
  - Test points for test equipment
  - Connectors for logic analyzer
  - LEDs connected to SA-1100 gpio pins

Information in this document is provided in connection with Intel products. No license, express or implied, by estoppel or otherwise, to any intellectual property rights is granted by this document. Except as provided in Intel's Terms and Conditions of Sale for such products, Intel assumes no liability whatsoever, and Intel disclaims any express or implied warranty, relating to sale and/or use of Intel products including liability or warranties relating to fitness for a particular purpose, merchantability, or infringement of any patent, copyright or other intellectual property right. Intel products are not intended for use in medical, life saving, or life sustaining applications.

Intel may make changes to specifications and product descriptions at any time, without notice.

Contact your local Intel sales office or your distributor to obtain the latest specifications and before placing your product order.

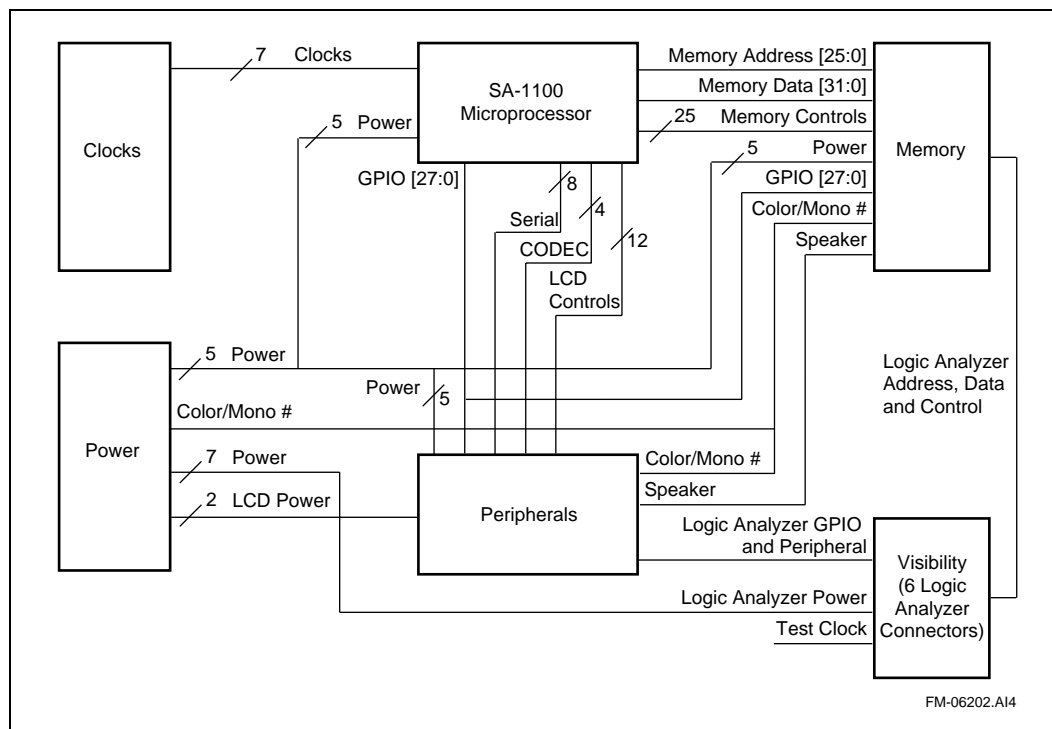
Copies of documents which have an ordering number and are referenced in this document, or other Intel literature may be obtained by calling 1-800-548-4725 or by visiting Intel's website at <http://www.intel.com>.

Copyright © Intel Corporation, 1998

\*Third-party brands and names are the property of their respective owners.

\*\*ARM and StrongARM are trademarks of Advanced RISC Machines, Ltd.

Figure 1. System Block Diagram



## SA-1100 Microprocessor

The SA-1100 microprocessor is a high-performance, low-power integrated processor configured to run at speeds ranging from 133 MHz to 200 MHz. The SA-1100 packaging is a 208-pin TQFP and is attached to the board via a ZIF socket.

## Memory System

512KB of SRAM is implemented. The EDO DRAM is 60 ns, with an approximate data bandwidth of 100 MB/s. The 16MB of DRAM is implemented in 4 banks of 4MB each. Each of the banks is implemented with two 1M x 16 memory components. The SA-1100 evaluation board also uses both SRAM and DRAM on the same board, and the selection is determined via use of a switch. The ROM is actually Flash with the WE# signal tied high.

## PCMCIA

The PCMCIA implementation on the SA-1100 evaluation board is intended to provide the maximum possible flexibility while supporting one or two socket PCMCIA implementations. The PCMCIA portion of the logic was designed to support the voltage switching required for 3.3-V and 5-V cards as well as hot insertion (with power on) of the card. A low-power CPLD is implemented

to support the majority of the Boolean logic required to support a dual-socket implementation, and also to provide an additional level of protection by controlling the drive enables to and from the PCMCIA cards. Also provided is a dual PCMCIA socket, a card cage, and the power controllers for the card and socket interface.

## **External Register**

An external register controls the application of 12 V and 5 V to the PCMCIA card, and also, monitors the voltage sense pins.

## **Clocks**

The SA-1100 uses the 32.768-kHz crystal, 3.6874-MHz crystal, oscillators, and coax connectors (to pulse generators). In addition, the SA-1100 evaluation board can accept clock sources from test equipment (for example, clock generators) through the connectors J17 and J21.

## **LCD Panels**

The SA-1100 evaluation board is designed to operate with two different LCD panels: Kyocera KCS3224ASTT-X1 and Sharp LQ64D341. The SA-1100 evaluation boards are shipped with the Kyocera passive color display panel. A Sharp panel connector is provided for the functional testing of the SA-1100 when driving TFT panels.

## **Audio Accessories**

The SA-1100 evaluation board includes a telephone jack and a direct access arrangement (DAA) approved for North America and Japan, a microphone, and a speaker. For debugging purposes, a 7-segment LED is provided, along with two discrete LEDs that indicate board and software status. Two footprints are on the board to allow either a Philips UCB1200 or Cirrus CS4271 to interface to the speaker, telecommunication functions, touch screen, and the microphone. (PCB footprints exist for both Philips and Cirrus devices, but only one may be soldered to the SA-1100 platform at any given time.)

## **Touch Screen**

The SA-1100 evaluation board touch-screen panel is used for data input. It is connected to either the UCB1200 or the CS4271.

## **Keyboard Interface**

The SPI protocol on the SA-1100 interfaces to a USAR Systems UR5HCSPI-06-FB keyboard controller on the SA-1100 evaluation board. The controller then interprets input from the Fujitsu FKB1406 keyboard.

## **Serial I/O Interfaces**

The following types of serial I/O interfaces are available:

- A universal serial bus (USB) “device” port (cannot be a “master” or a “hub”) is supplied along with the necessary circuitry.
- IrDA support is provided by a TFDS6000D dual-speed IrDA transceiver (115 kb/s or 4 Mb/s).
- Synchronous data link controller (SDLC) port configuring AppleTalk,\* GeoPort,\* or differential RS-422 type interface.
- Two universal asynchronous receiver-transmitter (UART) ports support computer-to-computer connections only (no modem).

## **Evaluation Logic**

Six logic analyzer connectors are provided for observing all SA-1100 signals. Software is provided to facilitate the connection of a Tektronix TLA 711 Logic Analyzer to the logic analyzer connectors on the SA-1100.

## **Power**

The system power requirements are as follows:

- External power transformer (wall unit): +5 V, +3.3 V, +12 V
- Onboard voltage regulators



# Support, Products, and Documentation

If you need technical support, a *Product Catalog*, or help deciding which documentation best meets your needs, visit the Intel World Wide Web Internet site:

<http://www.intel.com>

Copies of documents that have an ordering number and are referenced in this document, or other Intel literature may be obtained by calling **1-800-332-2717** or by visiting Intel's website for developers at:

<http://developer.intel.com>

You can also contact the Intel Massachusetts Information Line or the Intel Massachusetts Customer Technology Center. Please use the following information lines for support:

<b>For documentation and general information:</b>	
Intel Massachusetts Information Line	
United States:	1-800-332-2717
Outside United States:	1-303-675-2148
Electronic mail address:	techdoc@intel.com

<b>For technical support:</b>	
Intel Massachusetts Customer Technology Center	
Phone (U.S. and international):	1-978-568-7474
Fax:	1-978-568-6698
Electronic mail address:	techsup@intel.com

