

**LB1408****Level Meter**

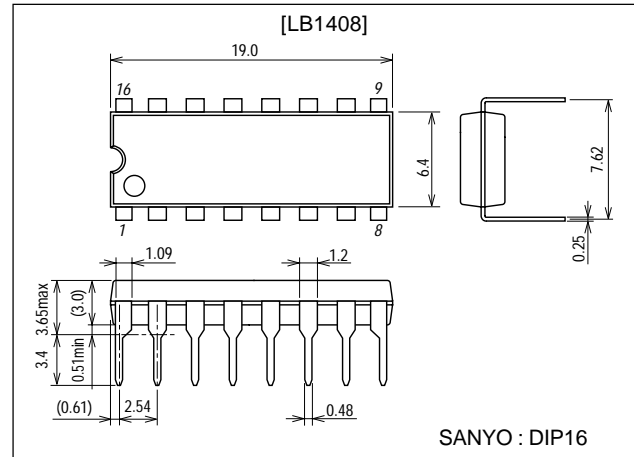
Features

- An input amplifier is built in.
- Minimum number of external parts required.
- Low current dissipation because of series connection of LED's.

Package Dimensions

unit:mm

3006C-DIP16



Specifications

Absolute Maximum Ratings at Ta = 25°C

Parameter	Symbol	Conditions	Ratings	Unit
Maximum supply voltage	V _{CC} max	(Pin 3)	-0.3 to +18.0	V
Maximum input voltage	V _{IN} max	(Pin 2)	-0.3 to V _{CC}	V
D pin output current	I _D max	Output transistor ON	0 to +30	mA
D pin output voltage	V _D max		-0.3 to V _{CC}	V
Reference flow-out current	I _{ref} max	(Pin 4)	-0.3 to 0	mA
Allowable power dissipation	P _d max		1.2	W
Operating temperature	T _{opr}		-30 to +80	°C
Storage temperature	T _{stg}		-40 to +125	°C

Allowable Operating Ranges at Ta = 25°C

Parameter	Symbol	Conditions	Ratings	Unit
Supply voltage	V _{CC}		6.7 to 16.0	V

Electrical Characteristics at Ta = 25°C

Parameter	Symbol	Conditions	Ratings			Unit
			min	typ	max	
Current drain	I _{CC}	Quiescent, pin 3 3.3kΩ across I _{LED1} and V _{ref}		4	8	mA
Input bias current	I _{IN}	Pin 2	-10		0	μA
Reference voltage	V _{ref}	Pin 4	4.40	4.85	5.30	V

Continued on next page.

■ Any and all SANYO products described or contained herein do not have specifications that can handle applications that require extremely high levels of reliability, such as life-support systems, aircraft's control systems, or other applications whose failure can be reasonably expected to result in serious physical and/or material damage. Consult with your SANYO representative nearest you before using any SANYO products described or contained herein in such applications.

■ SANYO assumes no responsibility for equipment failures that result from using products at values that exceed, even momentarily, rated values (such as maximum ratings, operating condition ranges, or other parameters) listed in products specifications of any and all SANYO products described or contained herein.

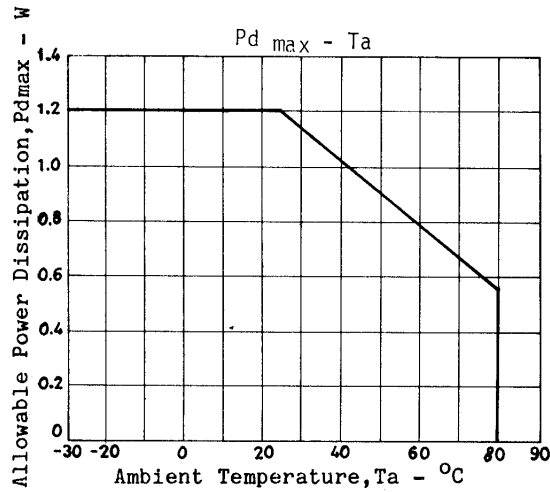
SANYO Electric Co.,Ltd. Semiconductor Company

TOKYO OFFICE Tokyo Bldg., 1-10, 1 Chome, Ueno, Taito-ku, TOKYO, 110-8534 JAPAN

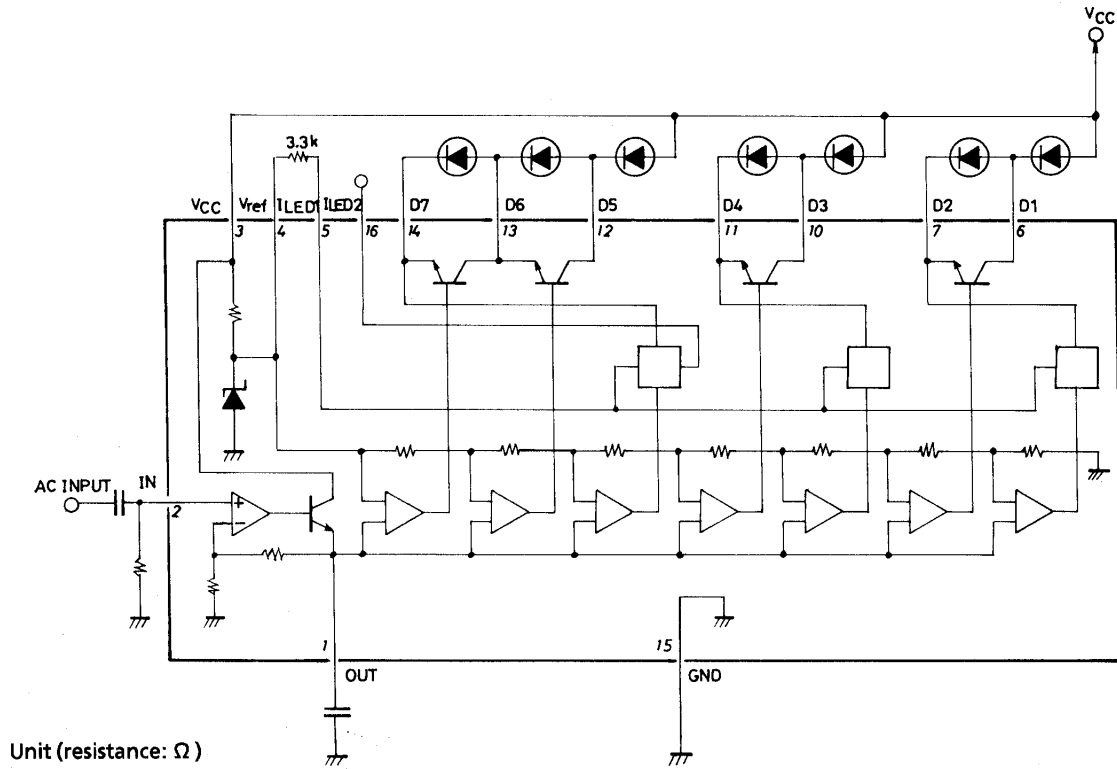
LB1408

Continued from preceding page.

Parameter	Symbol	Conditions	Ratings			Unit
			min	typ	max	
D pin current 1	$I_{D2, 4, 7}$	3.3k Ω across I_{LED1} and V_{ref} $I_{LED2}=GND$, pins 7, 11, 14	12	16	19	mA
Output saturation voltage	V_{satD} 1, 3, 5, 6	$I_{LED2}=GND$, pins 6, 10, 12, 13		1.0	1.3	V
D pin current 2	$I_{D2, 4, 7}$	$I_{LED2}=GND$, $V_{CC}=6.7V$, $V_{D1, 3, 6}=0.9V$, pins 7, 11, 14	12		19	mA
Out pin impedance	R_{OUT}	Pin 1	8	12	16	k Ω
Input sensitivity	V_{IN5}	Input voltage at which LED of D5 is lighted	119	132	145	mV
Comparator level						
D1	V_{T1}	Input voltage at which LED of D5 is lighted is taken as 0dB.	-26	-20	-14	dB
D2	V_{T2}	Input voltage at which LED of D5 is lighted is taken as 0dB.	-12	-10	-8	dB
D3	V_{T3}	Input voltage at which LED of D5 is lighted is taken as 0dB.	-7	-6	-5	dB
D4	V_{T4}	Input voltage at which LED of D5 is lighted is taken as 0dB.	-3.5	-3.0	-2.5	dB
D5	V_{T5}	Input voltage at which LED of D5 is lighted is taken as 0dB.	0	0	0	dB
D6	V_{T6}	Input voltage at which LED of D5 is lighted is taken as 0dB.	2.5	3.0	3.5	dB
D7	V_{T7}	Input voltage at which LED of D5 is lighted is taken as 0dB.	5	6	7	dB
Output leakage current	$I_{DL1, 3, 5}$	$V_{IN}=0V$, pins 6, 10, 12	0		10	μA
D pin current 3	I_{D7}	3.3k Ω across I_{LED1} and V_{ref} $I_{LED2}=open$, pin14	4.5	6.0	8.0	mA
D pin current 4	I_{D7}	$I_{LED2}=open$, pin14, $V_{CC}=6.7V$, $V_{D6}=0.7V$, pin14	4.5		8.0	mA

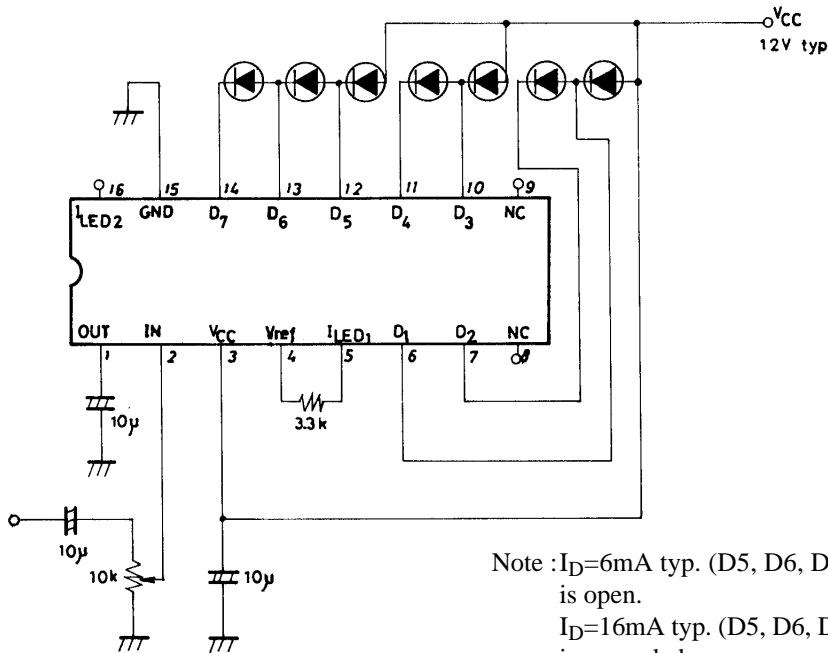


Equivalent Circuit Block Diagram and Sample Peripheral Circuit



Sample Application Circuit

Unit (resistance: Ω , capacitance: F)



- Specifications of any and all SANYO products described or contained herein stipulate the performance, characteristics, and functions of the described products in the independent state, and are not guarantees of the performance, characteristics, and functions of the described products as mounted in the customer's products or equipment. To verify symptoms and states that cannot be evaluated in an independent device, the customer should always evaluate and test devices mounted in the customer's products or equipment.
- SANYO Electric Co., Ltd. strives to supply high-quality high-reliability products. However, any and all semiconductor products fail with some probability. It is possible that these probabilistic failures could give rise to accidents or events that could endanger human lives, that could give rise to smoke or fire, or that could cause damage to other property. When designing equipment, adopt safety measures so that these kinds of accidents or events cannot occur. Such measures include but are not limited to protective circuits and error prevention circuits for safe design, redundant design, and structural design.
- In the event that any or all SANYO products(including technical data, services) described or contained herein are controlled under any of applicable local export control laws and regulations, such products must not be exported without obtaining the export license from the authorities concerned in accordance with the above law.
- No part of this publication may be reproduced or transmitted in any form or by any means, electronic or mechanical, including photocopying and recording, or any information storage or retrieval system, or otherwise, without the prior written permission of SANYO Electric Co., Ltd.
- Any and all information described or contained herein are subject to change without notice due to product/technology improvement, etc. When designing equipment, refer to the "Delivery Specification" for the SANYO product that you intend to use.
- Information (including circuit diagrams and circuit parameters) herein is for example only ; it is not guaranteed for volume production. SANYO believes information herein is accurate and reliable, but no guarantees are made or implied regarding its use or any infringements of intellectual property rights or other rights of third parties.

This catalog provides information as of March, 2001. Specifications and information herein are subject to change without notice.