



# LC75850E, 75850W

## 1/3 Duty General Purpose LCD Drivers

### Overview

The LC75850E and LC75850W are general purpose LCD drivers for use in microprocessor controlled applications such as radio tuner frequency displays.

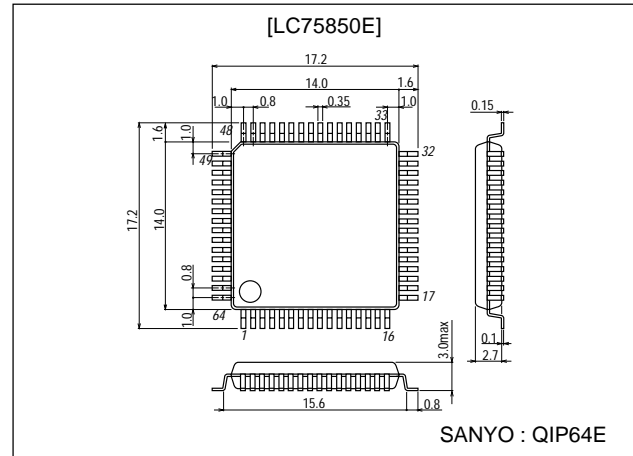
### Functions

- Supports both 1/3 duty 1/2 bias and 1/3 duty 1/3 bias LCD driver techniques for a maximum of 156 segments.
- Power saving mode allows the backup function to be switched on or off and all segments to be turned off unconditionally.
- Can be controlled by three serial data lines (CE, CL, and DI) from the microprocessor. (CCB handling)
- High generality, since segment data can be displayed without going through a decoder.
- The  $\overline{\text{INH}}$  pin unconditionally turns off display.
- The LCD drive bias voltage can be provided internally or externally.
- Power supply voltage: 4.5 to 8V.

### Package Dimensions

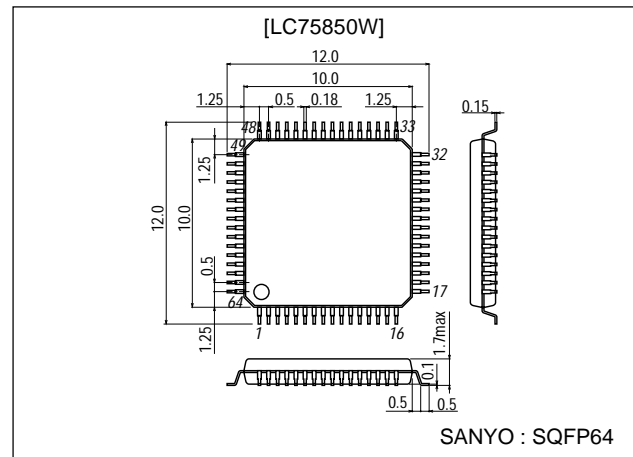
unit:mm

3159-QIP64E



unit:mm

3190-SQFP64



■ Any and all SANYO products described or contained herein do not have specifications that can handle applications that require extremely high levels of reliability, such as life-support systems, aircraft's control systems, or other applications whose failure can be reasonably expected to result in serious physical and/or material damage. Consult with your SANYO representative nearest you before using any SANYO products described or contained herein in such applications.

■ SANYO assumes no responsibility for equipment failures that result from using products at values that exceed, even momentarily, rated values (such as maximum ratings, operating condition ranges, or other parameters) listed in products specifications of any and all SANYO products described or contained herein.

# LC75850E, 75850W

## Specifications

**Absolute Maximum Ratings** at  $T_a = 25^\circ\text{C}$ ,  $V_{SS} = 0\text{V}$

Parameter	Symbol	Conditions	Ratings	Unit
Maximum supply voltage	$V_{DD\text{ max}}$	$V_{DD}$	-0.3 to +9.0	V
Input voltage	$V_{IN1}$	CE, CL, DI, $\overline{\text{INH}}$	-0.3 to +9.0	V
	$V_{IN2}$	OSC	-0.3 to $V_{DD} + 0.3$	V
Output voltage	$V_{OUT}$	OSC	-0.3 to $V_{DD} + 0.3$	V
Output current	$I_{OUT1}$	S1 to S52	300	$\mu\text{A}$
	$I_{OUT2}$	COM1 to COM3	3	mA
Allowable power dissipation	$P_d\text{ max}$	$T_a \leq 85^\circ\text{C}$	200	mW
Operating temperature	$T_{opr}$		-40 to +85	$^\circ\text{C}$
Storage temperature	$T_{stg}$		-55 to +125	$^\circ\text{C}$

**Allowable Operating Ranges** at  $T_a = -40$  to  $+85^\circ\text{C}$ ,  $V_{SS} = 0\text{V}$

Parameter	Symbol	Conditions	Ratings			Unit
			min	typ	max	
Supply voltage	$V_{DD}$	$V_{DD}$	4.5		8.0	V
Input voltage	$V_{DD1}$	$V_{DD1}$		$2/3V_{DD}$	8.0	V
	$V_{DD2}$	$V_{DD2}$		$1/3V_{DD}$	8.0	V
Input high level voltage	$V_{IH}$	CE, CL, DI, $\overline{\text{INH}}$	4.0		8.0	V
Input low level voltage	$V_{IL}$	CE, CL, DI, $\overline{\text{INH}}$	0		0.7	V
Recommended external resistance	$R_{OSC}$	OSC		47		$\text{k}\Omega$
Recommended external capacitance	$C_{OSC}$	OSC		1000		pF
Guaranteed oscillator range	$f_{OSC}$	OSC	19	38	76	kHz
Data setup time	$t_{ds}$	CL, DI: Figure 2	100			ns
Data hold time	$t_{dh}$	CL, DI: Figure 2	100			ns
CE wait time	$t_{cp}$	CE, CL: Figure 2	100			ns
CE setup time	$t_{cs}$	CE, CL: Figure 2	100			ns
CE hold time	$t_{ch}$	CE, CL: Figure 2	100			ns
CL high level time	$t_{\phi H}$	CL: Figure 2	100			ns
CL low level time	$t_{\phi L}$	CL: Figure 2	100			ns
Rise time	$t_r$	CE, CL, DI: Figure 2		100		ns
Fall time	$t_f$	CE, CL, DI: Figure 2		100		ns
$\overline{\text{INH}}$ switching time	$t_2$	Figure 3	10			$\mu\text{s}$

**Electrical Characteristics** at  $T_a = -40$  to  $+85^\circ\text{C}$ ,  $V_{SS} = 0\text{V}$

Parameter	Symbol	Conditions	Ratings			Unit
			min	typ	max	
Input high level current	$I_{IH1}$	CE, CL, DI $\overline{\text{INH}}$ ; $V_{IH}=8\text{V}$			5	$\mu\text{A}$
Input low level current	$I_{IL2}$	CE, CL, DI $\overline{\text{INH}}$ ; $V_{IL}=0\text{V}$			5	$\mu\text{A}$
Oscillator frequency	$f_{OSC}$	OSC; $R_{OSC}=47\text{k}\Omega$ , $C_{OSC}=1000\text{pF}$		38		kHz
Hysteresis	$V_H$	CE, CL, DI $\overline{\text{INH}}$ ; $V_{DD}=5\text{V}$	0.3			V
Output high level voltage	$V_{OH1}$	S1 to S52; $I_{OUT1}=-20\mu\text{A}$	$V_{DD}-1.0$			V
Output low level voltage	$V_{OL1}$	S1 to S52; $I_{OUT1}=20\mu\text{A}$			1.0	V
Output high level voltage	$V_{OH2}$	COM1 to COM3; $I_{OUT2}=-100\mu\text{A}$	$V_{DD}-1.0$			V
Output low level voltage	$V_{OL2}$	COM1 to COM3; $I_{OUT2}=100\mu\text{A}$			1.0	V
Intermediate level voltage*	$V_{MID1}$	1/2 bias, COM1 to COM3; $I_{OUT2}=\pm 100\mu\text{A}$	$1/2V_{DD}\pm 1.0$			V
	$V_{MID2}$	1/3 bias, COM1 to COM3; $I_{OUT2}=\pm 100\mu\text{A}$	$2/3V_{DD}\pm 1.0$			V
	$V_{MID3}$	1/3 bias, COM1 to COM3; $I_{OUT2}=\pm 100\mu\text{A}$	$1/3V_{DD}\pm 1.0$			V
	$V_{MID4}$	1/3 bias, S1 to S52; $I_{OUT1}=\pm 20\mu\text{A}$	$2/3V_{DD}\pm 1.0$			V
	$V_{MID5}$	1/3 bias, S1 to S52; $I_{OUT1}=\pm 20\mu\text{A}$	$1/3V_{DD}\pm 1.0$			V
Supply current	$I_{DD1}$	Power saving mode			5	$\mu\text{A}$
	$I_{DD2}$	$f=38\text{kHz}$ , 1/2 bias, $V_{DD}=5\text{V}$		400	800	$\mu\text{A}$
	$I_{DD3}$	$f=38\text{kHz}$ , 1/3 bias, $V_{DD}=5\text{V}$		300	600	$\mu\text{A}$
	$I_{DD4}$	$f=38\text{kHz}$ , 1/2 bias, $V_{DD}=8\text{V}$		650	1300	$\mu\text{A}$
	$I_{DD5}$	$f=38\text{kHz}$ , 1/3 bias, $V_{DD}=8\text{V}$		580	1200	$\mu\text{A}$

Note: \*Except the bias voltage generation divider resistors that are built into  $V_{DD1}$  and  $V_{DD2}$ . (See figure 1.)

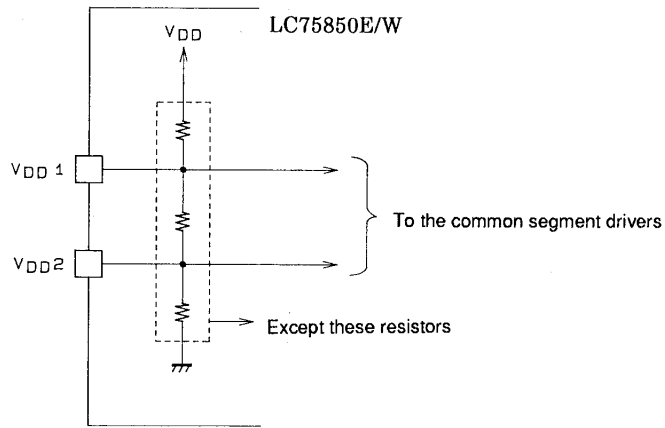
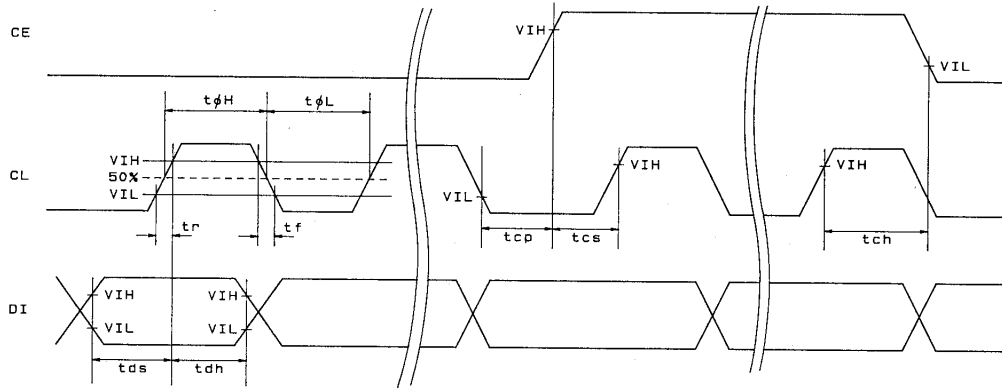


Figure 1

When CL is stopped at the low level



When CL is stopped at the high level

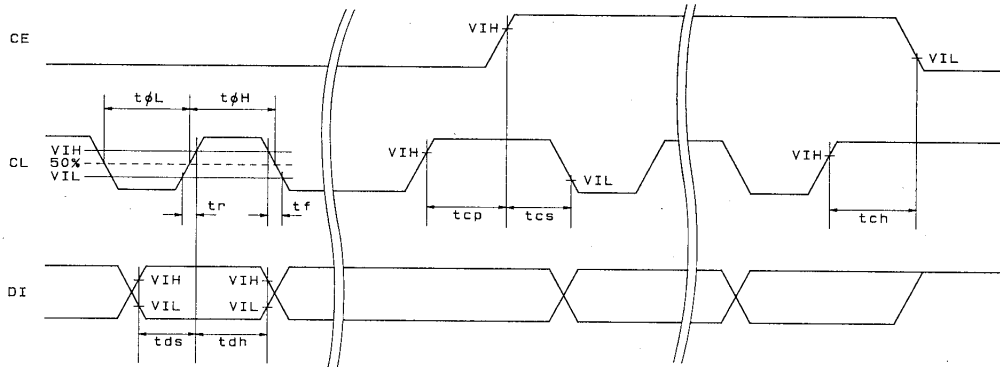
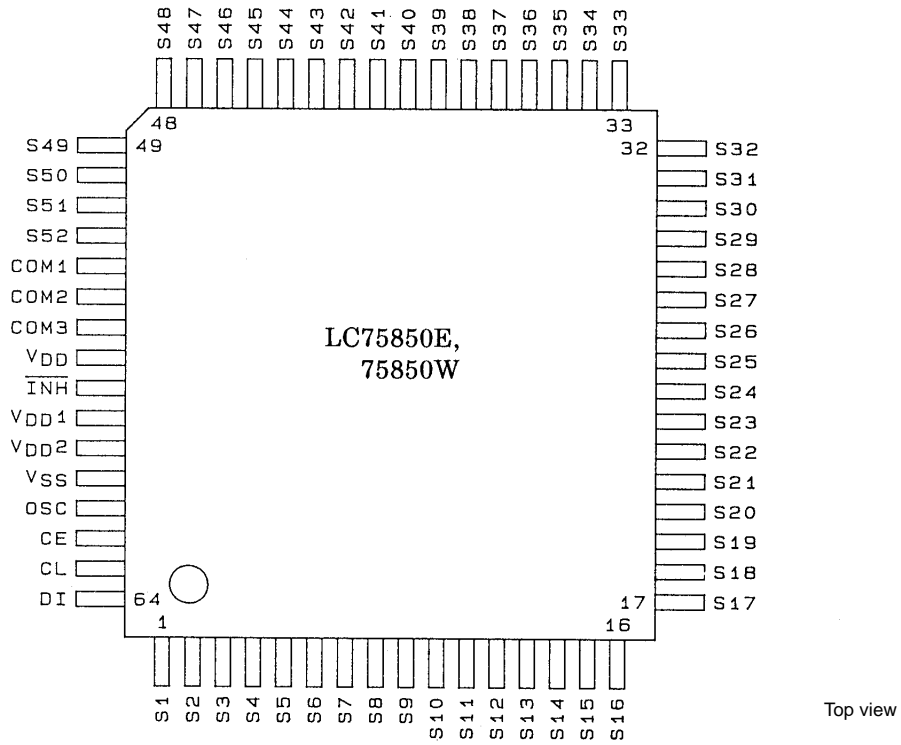


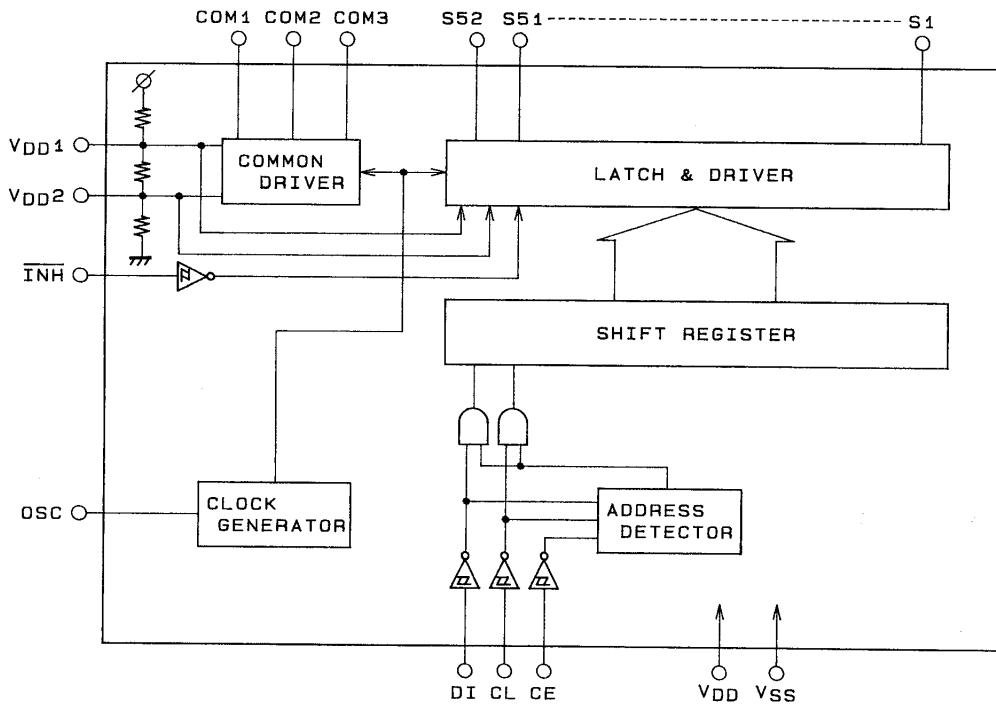
Figure 2

# LC75850E, 75850W

## Pin Assignment



## Block Diagram

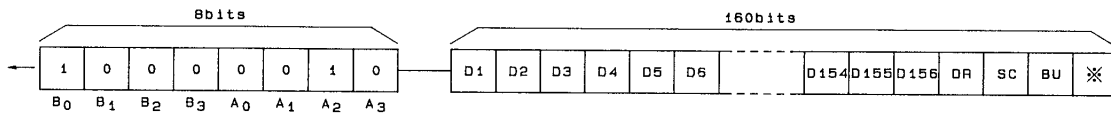


## Pin Functions

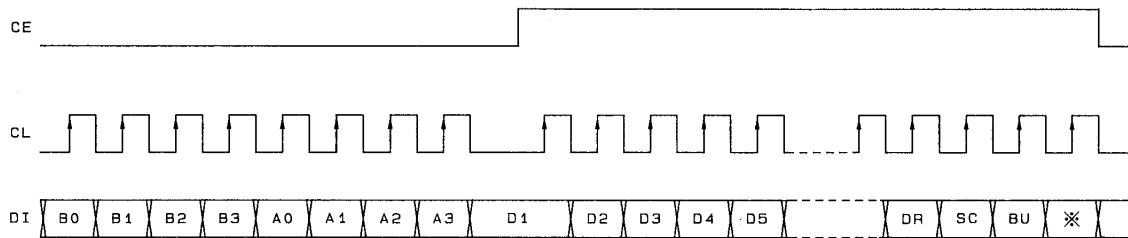
Pin	Pin No.	Function	Active	I/O	Handling when unused
S1 to S52	1 to 52	Segment outputs that display the data transferred as serial data	–	O	Open
COM1 COM2 COM3	53 54 55	Common driver outputs. The frame frequency is $f_O=(f_{OSC}/384)$ Hz.	–	O	Open
OSC	61	Oscillator connection (for generating the common segment alternation waveform)	–	I	GND
CE CL DI	62 63 64	Serial data transfer pins : connected to the microprocessor.	CE: chip enable H	I	GND
			CL: synchronization clock L → H		
			DI: transfer data –		
$\overline{\text{INH}}$	57	Forcibly turns off the display without regard for the internal data. Serial data can always be input, whatever the state of this pin.	L	I	GND
V <sub>DD1</sub>	58	Used for the 2/3 bias voltage when bias voltages are provided externally. Connect to V <sub>DD2</sub> when 1/2 bias is used.	–	I	Open
V <sub>DD2</sub>	59	Used for the 1/3 bias voltage when bias voltages are provided externally. Connect to V <sub>DD1</sub> when 1/2 bias is used.	–	I	Open

## Serial Data Transfer Format

### 1. Serial data



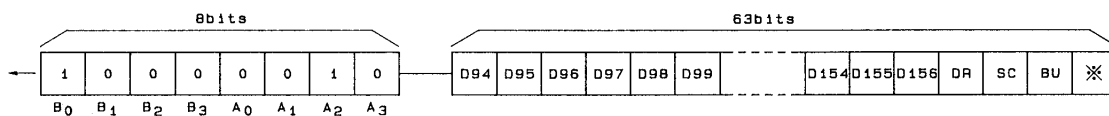
### 2. Data transfer format



### 3. When used with fewer than 156 segments

<Example> Using 63 segments

Segment allocation method.....Sixty three segments are allocated starting at D156.



## LC75850E, 75850W

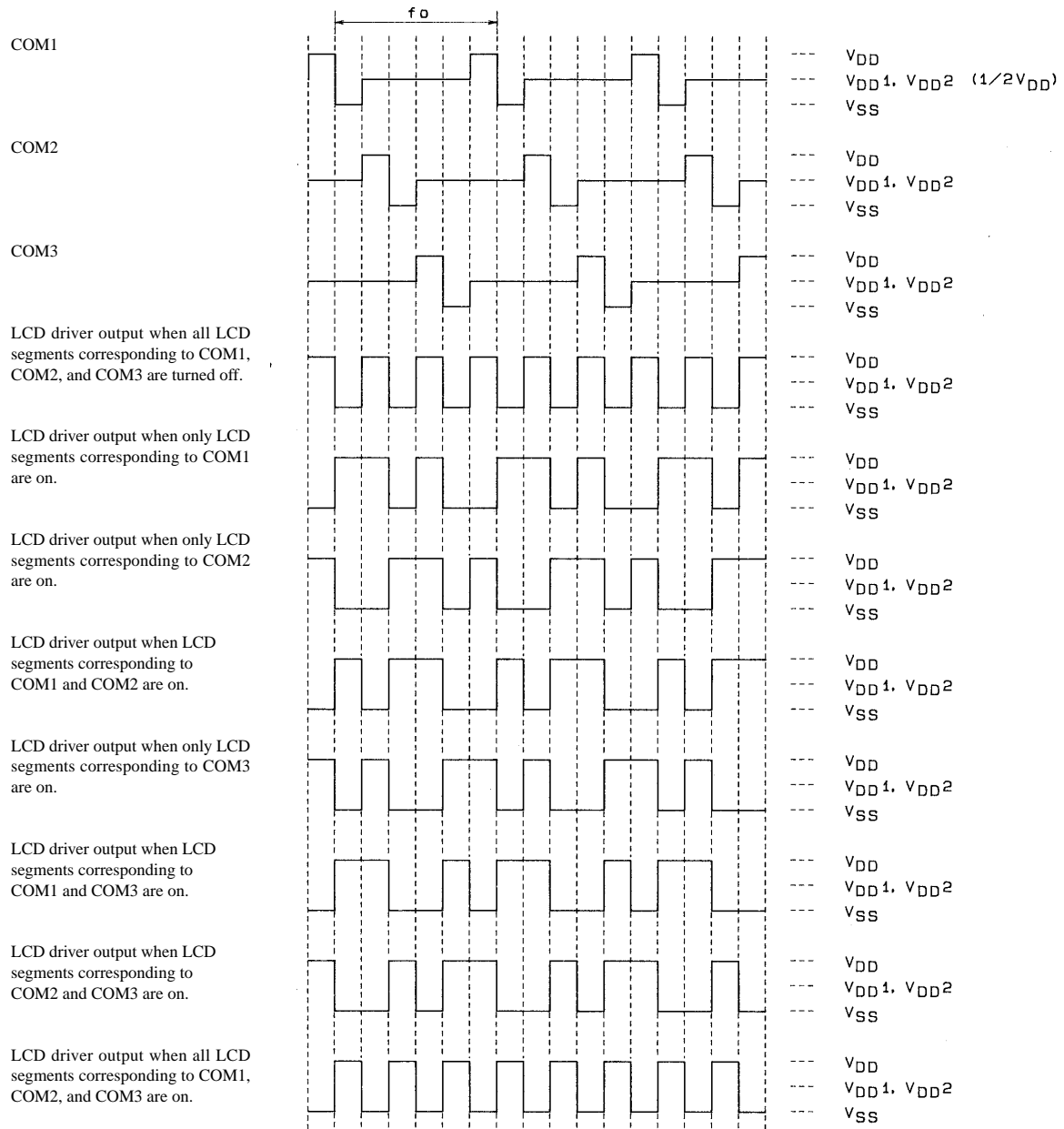
- CCB address ..... 41
- D1 to D156 ..... Display data
- DR ..... Drive method selection bit
  - 1 = 1/3 duty, 1/3 bias
  - 0 = 1/3 duty, 1/2 bias
- SC ..... Segment drive/clear control bit
  - 1 = Clear (Display clearing waveforms are output from common and segment pins.)
  - 0 = Drive (Normal drive)
- BU ..... Normal mode/power saving mode control bit
  - 1 = Power saving mode (The oscillator is stopped and the common and segment pins go to the ground level.)
  - 0 = Normal mode
- \* ..... Dont't care

### Transferred Data/Output Pin Correspondence

	COM3	COM2	COM1
S1	D1	D2	D3
S2	D4	D5	D6
S3	D7	D8	D9
S4	D10	D11	D12
S5	D13	D14	D15
S6	D16	D17	D18
S7	D19	D20	D21
S8	D22	D23	D24
S9	D25	D26	D27
S10	D28	D29	D30
S11	D31	D32	D33
S12	D34	D35	D36
S13	D37	D38	D39
S14	D40	D41	D42
S15	D43	D44	D45
S16	D46	D47	D48
S17	D49	D50	D51
S18	D52	D53	D54
S19	D55	D56	D57
S20	D58	D59	D60
S21	D61	D62	D63
S22	D64	D65	D66
S23	D67	D68	D69
S24	D70	D71	D72
S25	D73	D74	D75
S26	D76	D77	D78

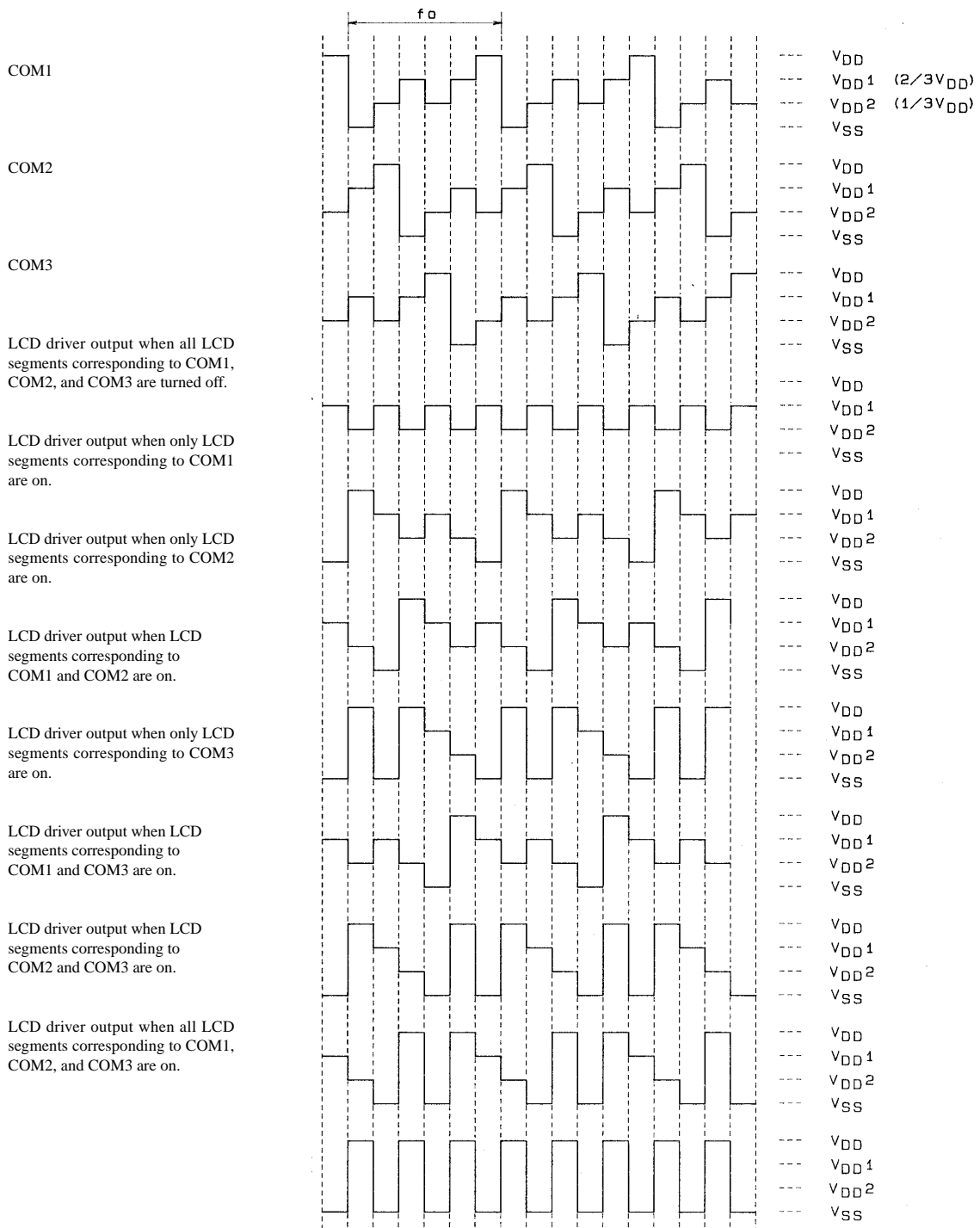
	COM3	COM2	COM1
S27	D79	D80	D81
S28	D82	D83	D84
S29	D85	D86	D87
S30	D88	D89	D90
S31	D91	D92	D93
S32	D94	D95	D96
S33	D97	D98	D99
S34	D100	D101	D102
S35	D103	D104	D105
S36	D106	D107	D108
S37	D109	D110	D111
S38	D112	D113	D114
S39	D115	D116	D117
S40	D118	D119	D120
S41	D121	D122	D123
S42	D124	D125	D126
S43	D127	D128	D129
S44	D130	D131	D132
S45	D133	D134	D135
S46	D136	D137	D138
S47	D139	D140	D141
S48	D142	D143	D144
S49	D145	D146	D147
S50	D148	D149	D150
S51	D151	D152	D153
S52	D154	D155	D156

1/2 Bias, 1/3 Duty Drive Technique



1/2 Bias, 1/3 Duty Waveforms

1/3 Bias, 1/3 Duty Drive Technique

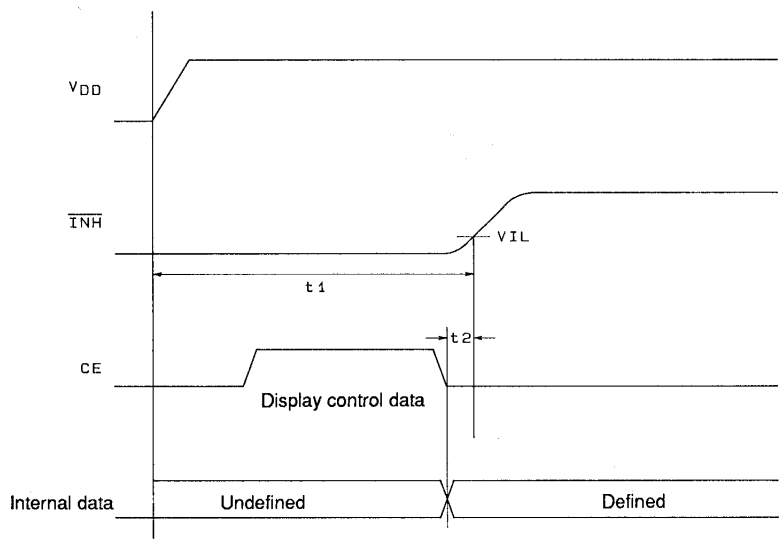
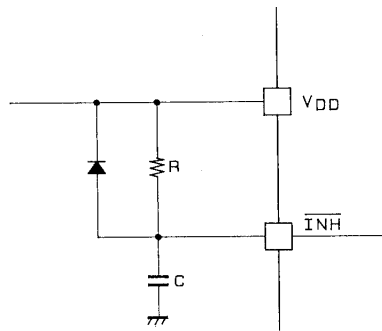


1/3 Bias, 1/3 Duty Waveforms



**$\overline{\text{INH}}$  and Display Control**

Since the IC internal data (D1 to D156, DR, SC, and BU) is undefined when power is first applied,  $\overline{\text{INH}}$  should be set low at the same time as power is applied, and data should be transferred from the microprocessor while  $\overline{\text{INH}}$  is held low. When the data transfer has completed, set  $\overline{\text{INH}}$  high. This will prevent meaningless displays at power on.



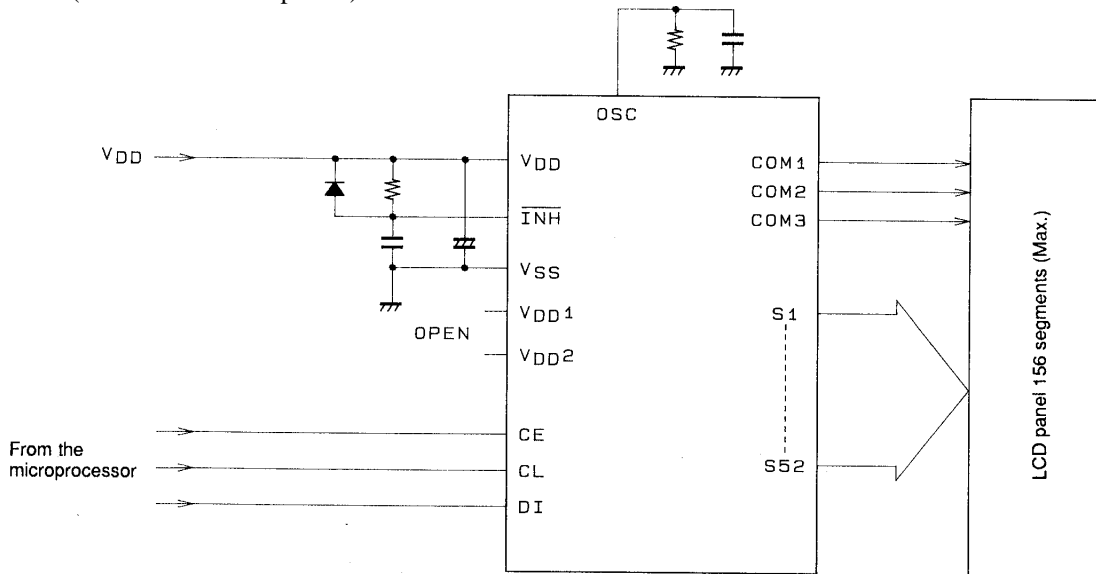
$t_1$  .....Determined by the CR constant  
 $t_2$  .....10  $\mu\text{s}$  (minimum)

**Figure 3**

# LC75850E, 75850W

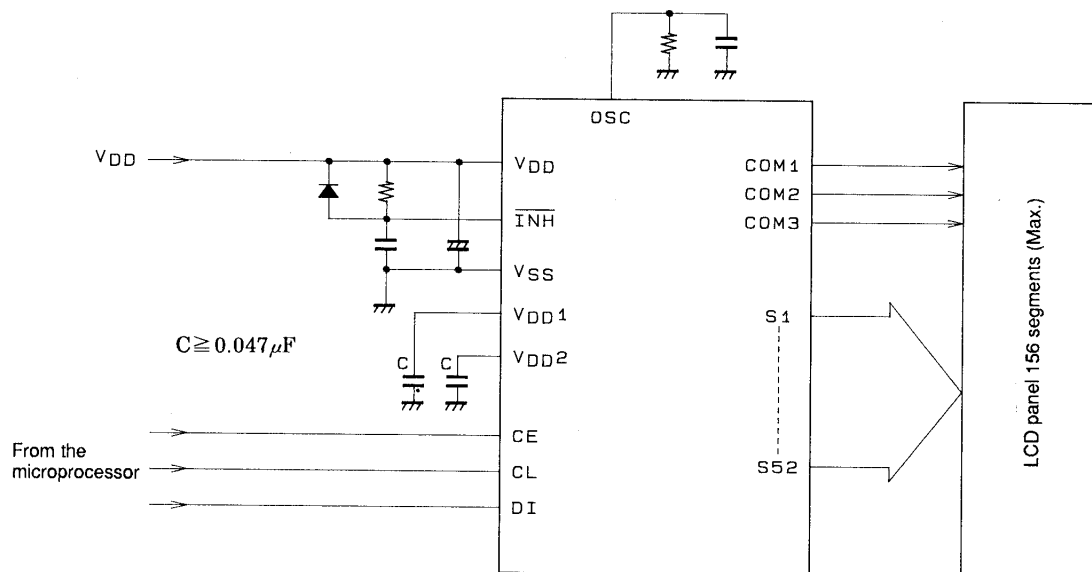
## Application Circuit Example 1

1/3 Bias (for use with small panels)



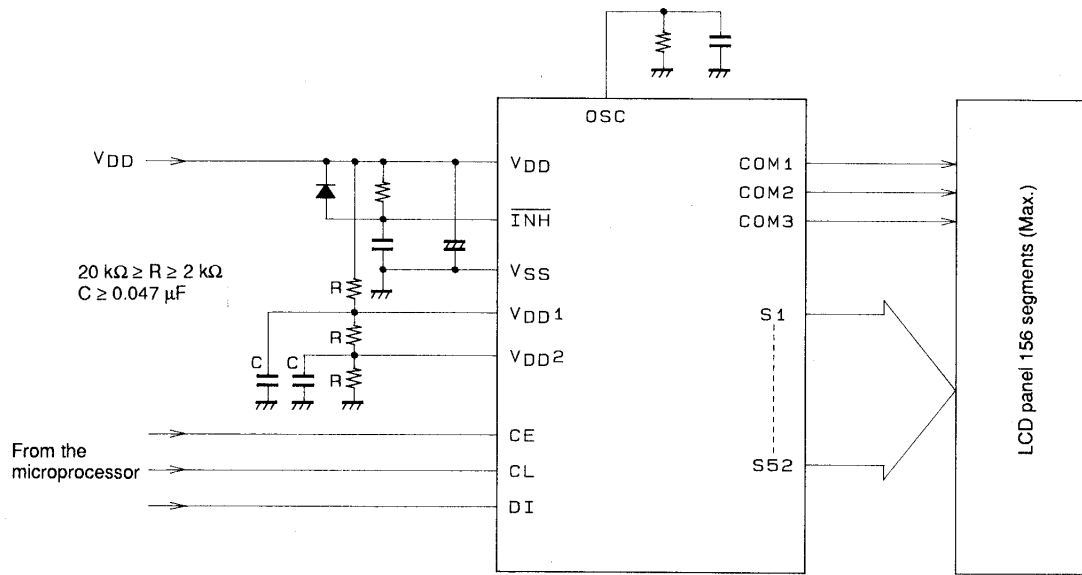
## Application Circuit Example 2

1/3 Bias (for use with normal size panels)



**Application Circuit Example 3**

1/3 Bias (for use with large panels)



- Specifications of any and all SANYO products described or contained herein stipulate the performance, characteristics, and functions of the described products in the independent state, and are not guarantees of the performance, characteristics, and functions of the described products as mounted in the customer's products or equipment. To verify symptoms and states that cannot be evaluated in an independent device, the customer should always evaluate and test devices mounted in the customer's products or equipment.
- SANYO Electric Co., Ltd. strives to supply high-quality high-reliability products. However, any and all semiconductor products fail with some probability. It is possible that these probabilistic failures could give rise to accidents or events that could endanger human lives, that could give rise to smoke or fire, or that could cause damage to other property. When designing equipment, adopt safety measures so that these kinds of accidents or events cannot occur. Such measures include but are not limited to protective circuits and error prevention circuits for safe design, redundant design, and structural design.
- In the event that any or all SANYO products(including technical data, services) described or contained herein are controlled under any of applicable local export control laws and regulations, such products must not be exported without obtaining the export license from the authorities concerned in accordance with the above law.
- No part of this publication may be reproduced or transmitted in any form or by any means, electronic or mechanical, including photocopying and recording, or any information storage or retrieval system, or otherwise, without the prior written permission of SANYO Electric Co., Ltd.
- Any and all information described or contained herein are subject to change without notice due to product/technology improvement, etc. When designing equipment, refer to the "Delivery Specification" for the SANYO product that you intend to use.
- Information (including circuit diagrams and circuit parameters) herein is for example only ; it is not guaranteed for volume production. SANYO believes information herein is accurate and reliable, but no guarantees are made or implied regarding its use or any infringements of intellectual property rights or other rights of third parties.

This catalog provides information as of June, 2001. Specifications and information herein are subject to change without notice.