

## Features

- For Transmission or Multiplexing of Analog or Digital Signals
- High Voltage Types (20V Rating)
- 15V Digital or  $\pm 7.5V$  Peak-to-Peak Switching
- 125 $\Omega$  Typical On-State Resistance for 15V Operation
- Switch On-State Resistance Matched to Within 5 $\Omega$  Over 15V Signal Input Range
- On-State Resistance Flat Over Full Peak-to-Peak Signal Range
- High On/Off Output Voltage Ratio
  - 80dB Typ. at FIS = 10kHz, RL = 1k $\Omega$
- High Degree of Linearity: <0.5% Distortion Typ. at FIS = 1kHz, VIS = 5Vp-p, VDD - VSS  $\geq$  10V, RL = 10k $\Omega$
- Extremely Low Off-State Switch Leakage Resulting in Very Low Offset Current and High Effective Off-State Resistance: 10pA Typ. at VDD - VSS = 10V, TA = +25 $^{\circ}C$
- Extremely High Control Input Impedance (Control Circuit Isolated from Signal Circuit): 10<sup>12</sup> $\Omega$  Typ.
- Low Crosstalk Between Switches: -50dB Typ. at FIS = 8MHz, RL = 1k $\Omega$
- Matched Control Input to Signal Output Capacitance: Reduces Output Signal Transients
- Frequency Response, Switch on = 40MHz (Typ.)
- 100% Tested for Quiescent Current at 20V
- 5V, 10V and 15V Parametric Ratings
- Meets All Requirements of JEDEC Tentative Standard No. 13B, "Standard Specifications for Description of "B" Series CMOS Devices"

## Applications

- Analog Signal Switching/Multiplexing
  - Signal Gating
  - Squelch Control
  - Chopper
  - Modulator
  - Demodulator
  - Commutating Switch
- Digital Signal Switching/Multiplexing
- Transmission Gate Logic Implementation
- Analog to Digital & Digital to Analog Conversion
- Digital Control of Frequency, Impedance, Phase, and Analog Signal Gain

## Description

CD4066BMS is a quad bilateral switch intended for the transmission or multiplexing of analog or digital signals. It is pin for pin compatible with CD4016B, but exhibits a much lower on state resistance. In addition, the on-state resistance is relatively constant over the full input signal range.

The CD4066BMS consists of four independent bilateral switches. A single control signal is required per switch. Both the p and the n device in a given switch are biased on or off simultaneously by the control signal. As shown in Figure 1, the well of the n channel device on each switch is either tied to the input when the switch is on or to VSS when the switch is off. This configuration eliminates the variation of the switch transistor threshold voltage with input signal, and thus keeps the on-state resistance low over the full operating signal range.

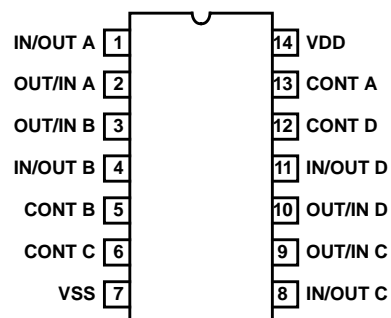
The advantages over single channel switches include peak input signal voltage swings equal to the full supply voltage, and more constant on-state impedance over the input signal range. For sample and hold applications, however, the CD4016B is recommended.

The CD4066BMS is supplied in these 14-lead outline packages:

Braze Seal DIP	H4Q
Frit Seal DIP	H1B
Ceramic Flatpack	H3W

## Pinout

CD4066BMS  
TOP VIEW



# Specifications CD4066BMS

## Absolute Maximum Ratings

DC Supply Voltage Range, (VDD) ..... -0.5V to +20V  
 (Voltage Referenced to VSS Terminals)  
 Input Voltage Range, All Inputs ..... -0.5V to VDD +0.5V  
 DC Input Current, Any One Input ..... ±10mA  
 Operating Temperature Range ..... -55°C to +125°C  
 Package Types D, F, K, H  
 Storage Temperature Range (TSTG) ..... -65°C to +150°C  
 Lead Temperature (During Soldering) ..... +265°C  
 At Distance 1/16 ± 1/32 Inch (1.59mm ± 0.79mm) from case for  
 10s Maximum

## Reliability Information

Thermal Resistance .....  $\theta_{ja}$   $\theta_{jc}$   
 Ceramic DIP and FRIT Package ..... 80°C/W 20°C/W  
 Flatpack Package ..... 70°C/W 20°C/W  
 Maximum Package Power Dissipation (PD) at +125°C  
 For TA = -55°C to +100°C (Package Type D, F, K) ..... 500mW  
 For TA = +100°C to +125°C (Package Type D, F, K) ..... Derate  
 Linearity at 12mW/°C to 200mW  
 Device Dissipation per Output Transistor ..... 100mW  
 For TA = Full Package Temperature Range (All Package Types)  
 Junction Temperature ..... +175°C

**TABLE 1. DC ELECTRICAL PERFORMANCE CHARACTERISTICS**

PARAMETER	SYMBOL	CONDITIONS (NOTE 1)		GROUP A SUBGROUPS	TEMPERATURE	LIMITS		UNITS		
						MIN	MAX			
Supply Current	IDD	VDD = 20V, VIN = VDD or GND		1	+25°C	-	0.5	μA		
				2	+125°C	-	50	μA		
		VDD = 18V, VIN = VDD or GND		3	-55°C	-	0.5	μA		
Input Leakage Current	IIL	VC = VDD or GND		1	+25°C	-100	-	nA		
				2	+125°C	-1000	-	nA		
				3	-55°C	-100	-	nA		
Input Leakage Current	IIH	VC = VDD or GND		1	+25°C	-	100	nA		
				2	+125°C	-	1000	nA		
				3	-55°C	-	100	nA		
Input/Output Leakage Current (Switch OFF)	IOZL	VC = 0V, VIS = 18V, VOS = 0V, VIS = 0V, VOS = 18V		VDD = 20		1	+25°C	-100	-	nA
				VDD = 18V		2	+125°C	-1000	-	nA
				VDD = 18V		3	-55°C	-100	-	nA
	IOZH			VDD = 20		1	+25°C	-	100	nA
				VDD = 20		2	+125°C	-	1000	nA
				VDD = 18V		3	-55°C	-	100	nA
On Resistance	RON5	VC = VDD, RL = 10kΩ returned to VDD - VSS/2		VDD = 5V		1	+25°C	1050	-	Ω
	RON10			VDD = 10V		1	+25°C	400	-	Ω
	RON15			VDD = 15V		1	+25°C	240	-	Ω
On Resistance	RON5	VDD = 5V		1, 2		+125°C		-	1300	Ω
						-55°C		-	800	Ω
On Resistance	RON10	VDD = 10V		1, 2		+125°C		-	550	Ω
						-55°C		-	310	Ω
On Resistance	RON15	VDD = 15V		1, 2		+125°C		-	320	Ω
						-55°C		-	220	Ω
Functional (Note 3)	F	VDD = 2.8V, VIN = VDD or GND		7	+25°C	VOH > VDD/2	VOL < VDD/2	V		
		VDD = 20V, VIN = VDD or GND		7	+25°C					
		VDD = 18V, VIN = VDD or GND		8A	+125°C					
		VDD = 3V, VIN = VDD or GND		8B	-55°C					
Switch Threshold RL = 100k to VDD	SWTHR5	VDD = 5V, VC = 1.5V, VIS = GND		1, 2, 3	+25°C, +125°C, -55°C	4.1	-	V		
	SWTHR15	VDD = 15V, VC = 2V, VIS = GND		1, 2, 3	+25°C, +125°C, -55°C	14.1	-	V		
N Threshold Voltage	VNTH	VDD = 10V, ISS = -10μA		1	+25°C	-2.8	-0.7	V		
P Threshold Voltage	VPTH	VSS = 0V, IDD = 10μA		1	+25°C	0.7	2.8	V		

# Specifications CD4066BMS

**TABLE 1. DC ELECTRICAL PERFORMANCE CHARACTERISTICS**

PARAMETER	SYMBOL	CONDITIONS (NOTE 1)	GROUP A SUBGROUPS	TEMPERATURE	LIMITS		UNITS
					MIN	MAX	
Control Input Low Voltage (Note 2) $ I_{IS}  < 10\mu A$ , $V_{IS} = V_{SS}$ , $V_{OS} = V_{DD}$ and $V_{IS} = V_{DD}$ , $V_{OS} = V_{SS}$	VILC5	VDD = 5V	1, 2, 3	+25°C, +125°C, -55°C	-	1	V
	VILC15	VDD = 15V	1, 2, 3	+25°C, +125°C, -55°C	-	2	V
Control Input High Voltage (Note 2, Figure 2) $V_{IS} = V_{SS}$ and $V_{IS} = V_{DD}$	VIHC	VDD = 5V, $ I_{IS}  = .51mA$ , 4.6V < VOS < 0.4V	1	+25°C	3.5	-	V
		VDD = 5V, $ I_{IS}  = .36mA$ , 4.6V < VOS < 0.4V	2	+125°C	3.5	-	V
		VDD = 5V, $ I_{IS}  = .64mA$ , 4.6V < VOS < 0.4V	3	-55°C	3.5	-	V
	VIHC	VDD = 15V, $ I_{IS}  = 3.4mA$ , 13.5V < VOS < 1.5V	1	+25°C	11	-	V
		VDD = 15V, $ I_{IS}  = 2.4mA$ , 13.5V < VOS < 1.5V	2	+125°C	11	-	V
		VDD = 15V, $ I_{IS}  = 4.2mA$ , 13.5V < VOS < 1.5V	3	-55°C	11	-	V

NOTES: 1. All voltages referenced to device GND, 100% testing being implemented.  
 2. Go/No Go test with limits applied to inputs.  
 3. VDD = 2.8V/3.0V, RL = 100K to VDD  
 VDD = 20V/18V, RL = 10K to VDD

**TABLE 2. AC ELECTRICAL PERFORMANCE CHARACTERISTICS**

PARAMETER	SYMBOL	CONDITIONS	GROUP A SUBGROUPS	TEMPERATURE	LIMITS		UNITS
					MIN	MAX	
Propagation Delay Signal Input to Signal Output	TPLH TPHL	VC = VDD = 5V, VSS = GND (Notes 2, 3)	9	+25°C	-	40	ns
			10, 11	+125°C, -55°C	-	54	ns
Propagation Delay Turn-On, Turn-Off	TPHZ/ZH TPLZ/ZL	VIS = VDD = 5V (Notes 1, 2)	9	+25°C	-	70	ns
			10, 11	+125°C, -55°C	-	95	ns

NOTES:  
 1. CL = 50pF, RL = 1K, Input TR, TF < 20ns.  
 2. -55°C and +125°C limits guaranteed, 100% testing being implemented.  
 3. CL = 50pF, RL = 200K, Input TR, TF < 20ns.

**TABLE 3. ELECTRICAL PERFORMANCE CHARACTERISTICS**

PARAMETER	SYMBOL	CONDITIONS	NOTES	TEMPERATURE	LIMITS		UNITS
					MIN	MAX	
Supply Current	IDD	VDD = 5V, VIN = VDD or GND	1, 2	-55°C, +25°C	-	0.25	μA
				+125°C	-	7.5	μA
		VDD = 10V, VIN = VDD or GND	1, 2	-55°C, +25°C	-	0.5	μA
				+125°C	-	15	μA
		VDD = 15V, VIN = VDD or GND	1, 2	-55°C, +25°C	-	0.5	μA
				+125°C	-	30	μA
Control Input Low Voltage $ I_{IS}  < 10\mu A$ , $V_{IS} = V_{SS}$ , $V_{OS} = V_{DD}$ and $V_{IS} = V_{DD}$ , $V_{OS} = V_{SS}$	VILC10	VDD = 10V	1, 2	+25°C, +125°C, -55°C	-	2	V

# Specifications CD4066BMS

**TABLE 3. ELECTRICAL PERFORMANCE CHARACTERISTICS (Continued)**

PARAMETER	SYMBOL	CONDITIONS	NOTES	TEMPERATURE	LIMITS		UNITS
					MIN	MAX	
Control Input High Voltage (See Figure 2)	VIHC10	VDD = 10V, VIS = VDD or GND	2	+25°C, +125°C, -55°C	7	-	V
Propagation Delay Signal Input to Signal Output	TPLH TPHL	VDD = 10V	1, 2, 3	+25°C	-	20	ns
		VDD = 15V	1, 2, 3	+25°C	-	15	ns
Propagation Delay Turn-On, Turn-Off	TPHZ/ZH TPLZ/ZL	VDD = 10V	1, 2, 3	+25°C	-	40	ns
		VDD = 15V	1, 2, 3	+25°C	-	30	ns
Input Capacitance	CIN	Any Input	1, 2	+25°C	-	7.5	pF

**NOTES:**

1. All voltages referenced to device GND.
2. The parameters listed on Table 3 are controlled via design or process and are not directly tested. These parameters are characterized on initial design release and upon design changes which would affect these characteristics.
3. CL = 50pF, RL = 200K, Input TR, TF < 20ns.

**TABLE 4. POST IRRADIATION ELECTRICAL PERFORMANCE CHARACTERISTICS**

PARAMETER	SYMBOL	CONDITIONS	NOTES	TEMPERATURE	LIMITS		UNITS
					MIN	MAX	
Supply Current	IDD	VDD = 20V, VIN = VDD or GND	1, 4	+25°C	-	25	μA
N Threshold Voltage	VNTH	VDD = 10V, ISS = -10μA	1, 4	+25°C	-2.8	-0.2	V
N Threshold Voltage Delta	ΔVTN	VDD = 10V, ISS = -10μA	1, 4	+25°C	-	±1	V
P Threshold Voltage	VTP	VSS = 0V, IDD = 10μA	1, 4	+25°C	0.2	2.8	V
P Threshold Voltage Delta	ΔVTP	VSS = 0V, IDD = 10μA	1, 4	+25°C	-	±1	V
Functional	F	VDD = 18V, VIN = VDD or GND	1	+25°C	VOH > VDD/2	VOL < VDD/2	V
		VDD = 3V, VIN = VDD or GND					
Propagation Delay Time	TPHL TPLH	VDD = 5V	1, 2, 3, 4	+25°C	-	1.35 x +25°C Limit	ns

- NOTES: 1. All voltages referenced to device GND. 2. CL = 50pF, RL = 200K, Input TR, TF < 20ns. 3. See Table 2 for +25°C limit. 4. Read and Record

**TABLE 5. BURN-IN AND LIFE TEST DELTA PARAMETERS +25°C**

PARAMETER	SYMBOL	DELTA LIMIT
Supply Current - SSI	IDD	±0.1μA
ON Resistance	RONDEL10	± 20% x Pre-Test Reading

**TABLE 6. APPLICABLE SUBGROUPS**

CONFORMANCE GROUP	MIL-STD-883 METHOD	GROUP A SUBGROUPS	READ AND RECORD
Initial Test (Pre Burn-In)	100% 5004	1, 7, 9	IDD, IOL5, IOH5A, RONDEL10
Interim Test 1 (Post Burn-In)	100% 5004	1, 7, 9	IDD, IOL5, IOH5A, RONDEL10
Interim Test 2 (Post Burn-In)	100% 5004	1, 7, 9	IDD, IOL5, IOH5A, RONDEL10
PDA (Note 1)	100% 5004	1, 7, 9, Deltas	
Interim Test 3 (Post Burn-In)	100% 5004	1, 7, 9	IDD, IOL5, IOH5A, RONDEL10
PDA (Note 1)	100% 5004	1, 7, 9, Deltas	

# Specifications CD4066BMS

**TABLE 6. APPLICABLE SUBGROUPS (Continued)**

CONFORMANCE GROUP		MIL-STD-883 METHOD	GROUP A SUBGROUPS	READ AND RECORD
Final Test		100% 5004	2, 3, 8A, 8B, 10, 11	
Group A		Sample 5005	1, 2, 3, 7, 8A, 8B, 9, 10, 11	
Group B	Subgroup B-5	Sample 5005	1, 2, 3, 7, 8A, 8B, 9, 10, 11, Deltas	Subgroups 1, 2, 3, 9, 10, 11
	Subgroup B-6	Sample 5005	1, 7, 9	
Group D		Sample 5005	1, 2, 3, 8A, 8B, 9	Subgroups 1, 2 3

NOTE: 1. 5% Parametric, 3% Functional; Cumulative for Static 1 and 2.

**TABLE 7. TOTAL DOSE IRRADIATION**

CONFORMANCE GROUPS	MIL-STD-883 METHOD	TEST		READ AND RECORD	
		PRE-IRRAD	POST-IRRAD	PRE-IRRAD	POST-IRRAD
Group E Subgroup 2	5005	1, 7, 9	Table 4	1, 9	Table 4

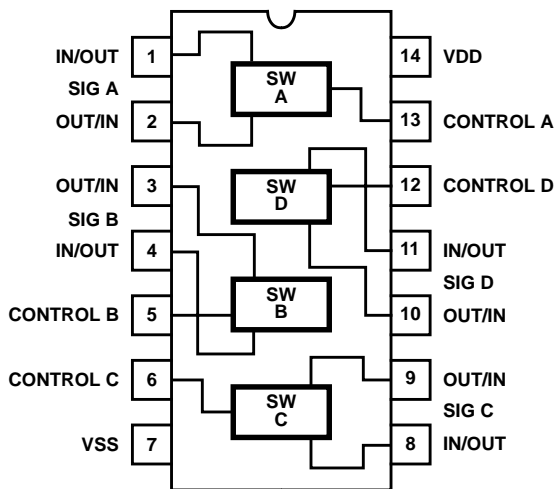
**TABLE 8. BURN-IN AND IRRADIATION TEST CONNECTIONS**

FUNCTION	OPEN	GROUND	VDD	9V ± 0.5V	OSCILLATOR	
					50kHz	25kHz
Static Burn-In 1 (Note 1)	2, 3, 9, 10	1, 4-8, 11-13	14			
Static Burn-In 2 (Note 1)	2, 3, 9, 10	7	1, 4-6, 8, 11-14			
Dynamic Burn-In (Note 1)	-	7	14	2, 3, 9, 10	5, 6, 12, 13	1, 4, 8, 11
Irradiation (Note 2)	2, 3, 9, 10	7	1, 4-6, 8, 11-14			

NOTE:

- Each pin except VDD and GND will have a series resistor of  $10K \pm 5\%$ ,  $VDD = 18V \pm 0.5V$
- Each pin except VDD and GND will have a series resistor of  $47K \pm 5\%$ ; Group E, Subgroup 2, sample size is 4 dice/wafer, 0 failures,  $VDD = 10V \pm 0.5V$

## Functional Diagram



TRUTH TABLE EACH SWITCH		
INPUT		OUTPUT
VC	VIS	VOS
1	0	0
1	1	1
0	0	Open
0	1	Open

Positive Logic: Switch ON VC = "1"  
Switch OFF VC = "0"

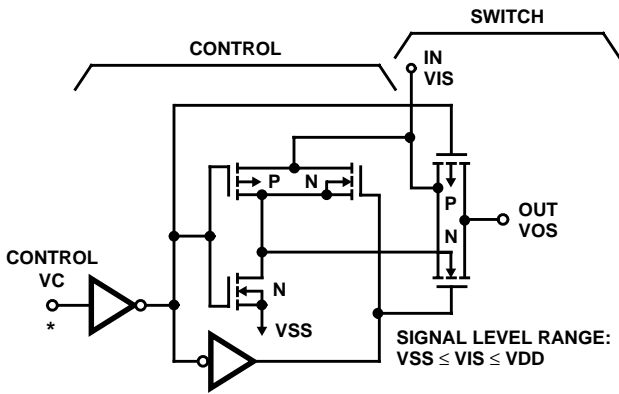
All Intersil semiconductor products are manufactured, assembled and tested under **ISO9000** quality systems certification.

*Intersil products are sold by description only. Intersil Corporation reserves the right to make changes in circuit design and/or specifications at any time without notice. Accordingly, the reader is cautioned to verify that data sheets are current before placing orders. Information furnished by Intersil is believed to be accurate and reliable. However, no responsibility is assumed by Intersil or its subsidiaries for its use; nor for any infringements of patents or other rights of third parties which may result from its use. No license is granted by implication or otherwise under any patent or patent rights of Intersil or its subsidiaries.*

For information regarding Intersil Corporation and its products, see web site <http://www.intersil.com>

# CD4066BMS

## Schematic



**NORMAL OPERATION CONTROL LINE BIASING:**  
 SWITCH ON, VC "1" = VDD  
 SWITCH OFF, VC "0" = VSS

\* ALL CONTROL INPUTS ARE PROTECTED BY THE CMOS PROTECTION NETWORK

NOTE:  
 All "P" Substrates Connected to VDD

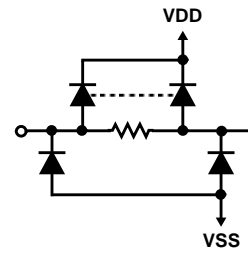


FIGURE 1. SCHEMATIC DIAGRAM OF 1 OF 4 IDENTICAL SWITCHES AND ITS ASSOCIATED CONTROL CIRCUITRY

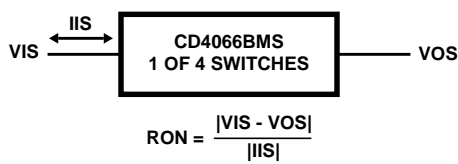


FIGURE 2. DETERMINATION OF RON AS A TEST CONDITION FOR CONTROL INPUT HIGH VOLTAGE (VIHC) SPECIFICATION

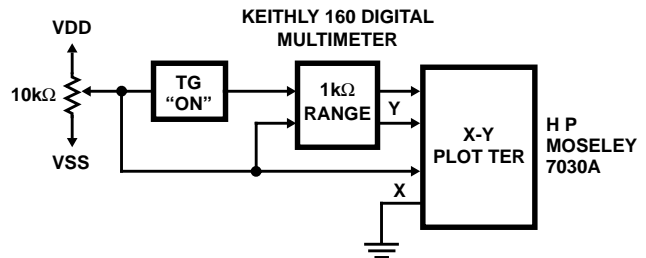


FIGURE 3. CHANNEL ON-STATE RESISTANCE MEASUREMENT CIRCUIT

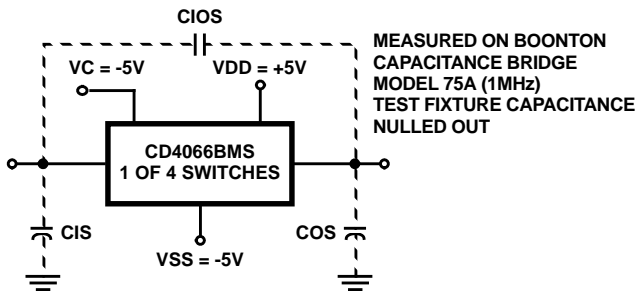


FIGURE 4. CAPACITANCE TEST CIRCUIT

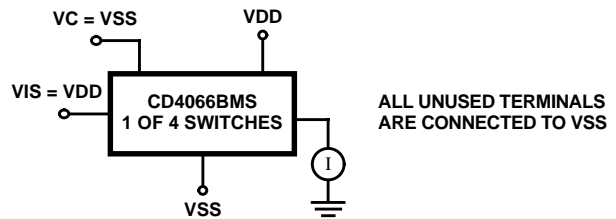


FIGURE 5. OFF SWITCH INPUT OR OUTPUT LEAKAGE

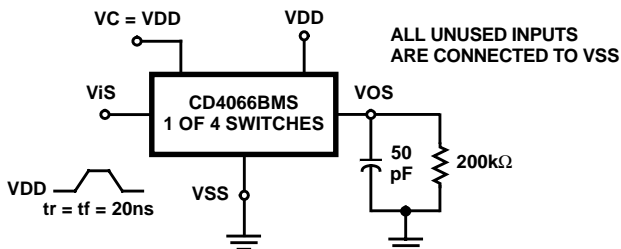


FIGURE 6. PROPAGATION DELAY TIME SIGNAL INPUT (VIS) TO SIGNAL OUTPUT (VOS)

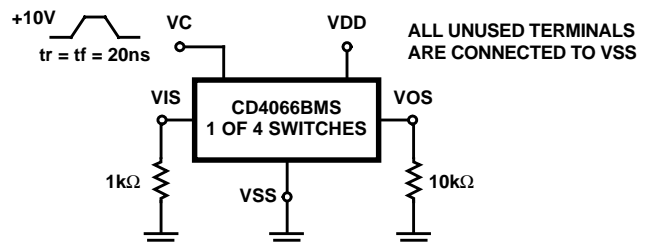


FIGURE 7. CROSSTALK CONTROL INPUT TO SIGNAL OUTPUT

# CD4066BMS

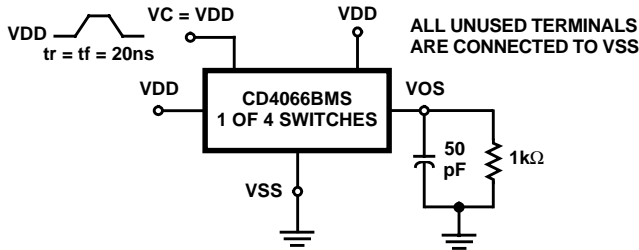
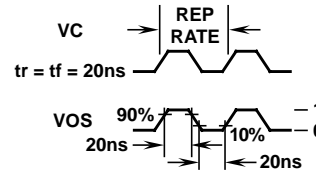


FIGURE 8. PROPAGATION DELAY TPLH, TPHL CONTROL SIGNAL OUTPUT. DELAY IS MEASURED AT VOS LEVEL OF +10% FROM GROUND (TURN ON) OR ON-STATE OUTPUT LEVEL (TURN OFF).

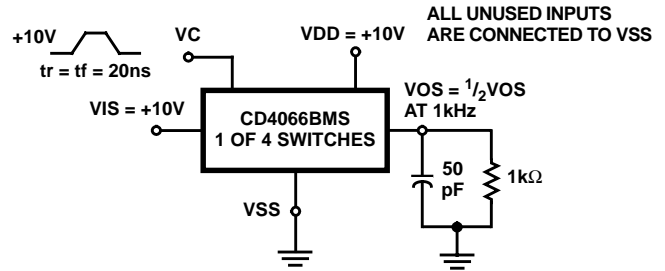


FIGURE 9. MAXIMUM ALLOWABLE CONTROL INPUT REPETITION RATE

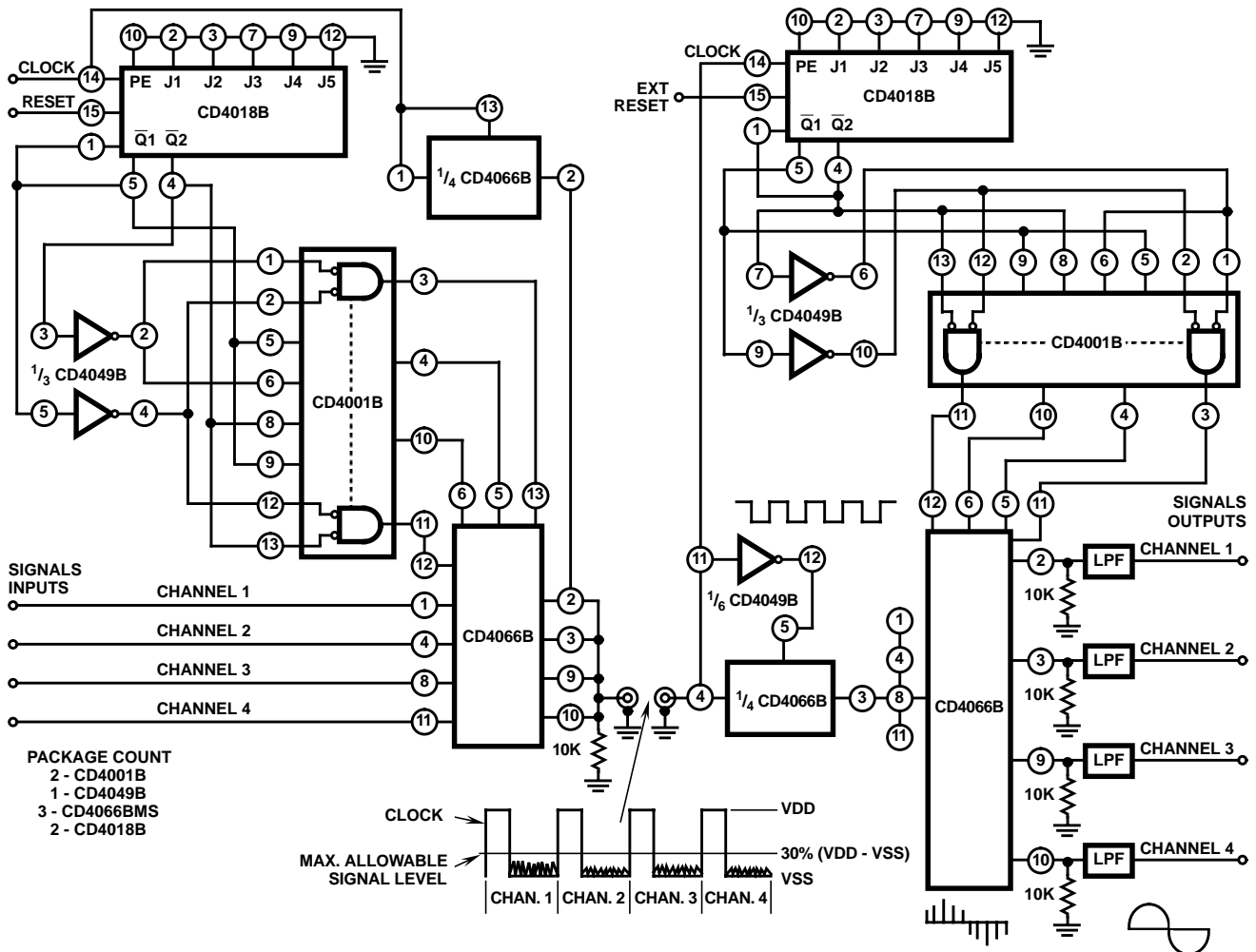


FIGURE 10. 4 CHANNEL PAM MULTIPLEX SYSTEM DIAGRAM

# CD4066BMS

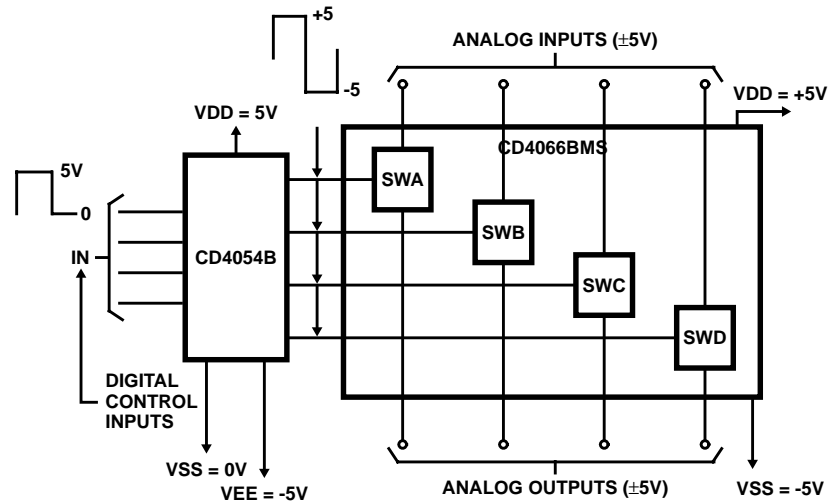


FIGURE 11. BIDIRECTIONAL SIGNAL TRANSMISSION VIA DIGITAL CONTROL LOGIC

## Typical Performance Characteristics

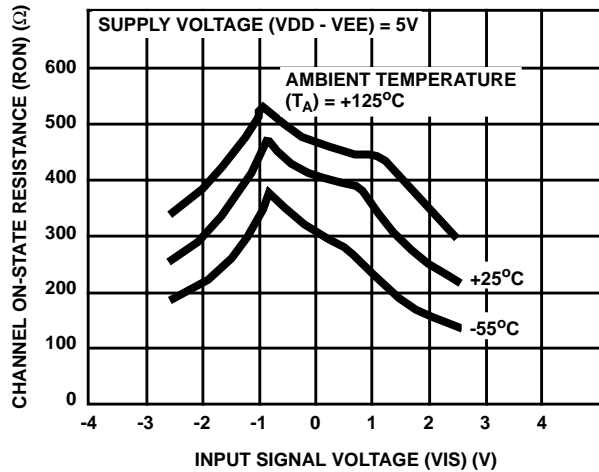


FIGURE 12. TYPICAL ON-STATE RESISTANCE vs INPUT SIGNAL VOLTAGE (ALL TYPES)

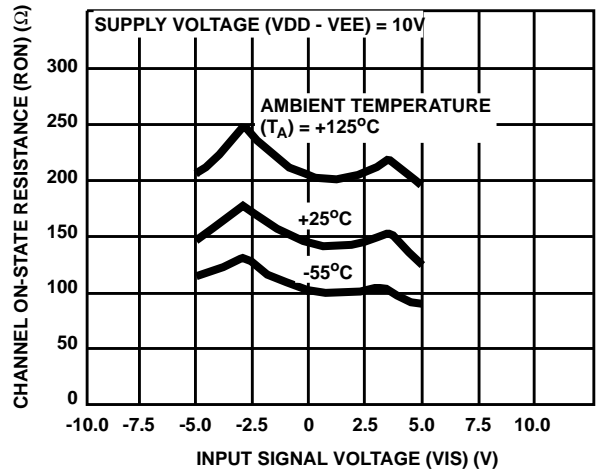


FIGURE 13. TYPICAL ON-STATE vs INPUT SIGNAL VOLTAGE (ALL TYPES).

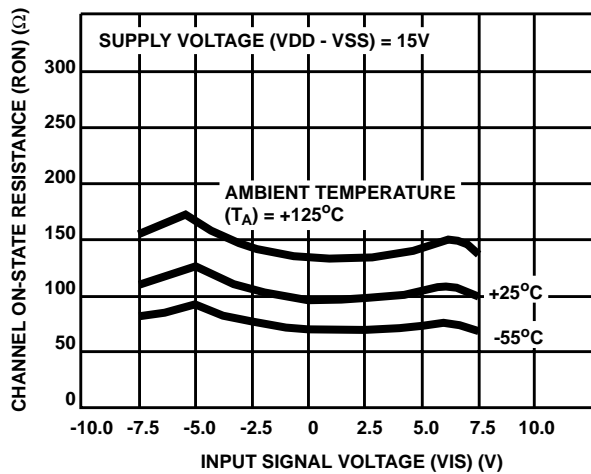


FIGURE 14. TYPICAL ON-STATE RESISTANCE vs INPUT SIGNAL VOLTAGE (ALL TYPES)

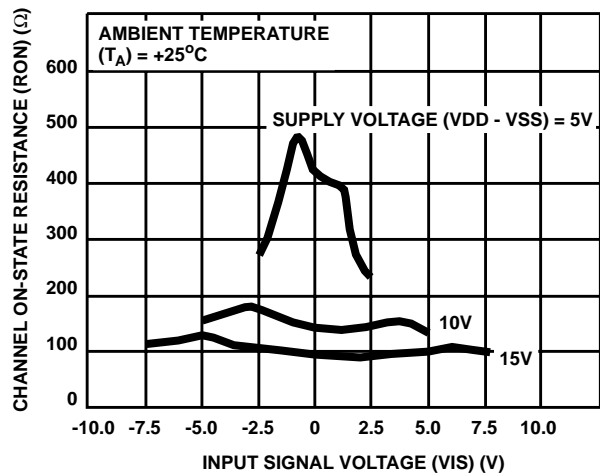


FIGURE 15. ON-STATE RESISTANCE vs INPUT SIGNAL VOLTAGE (ALL TYPES)



# CD4066BMS

## Typical Performance Characteristics (Continued)

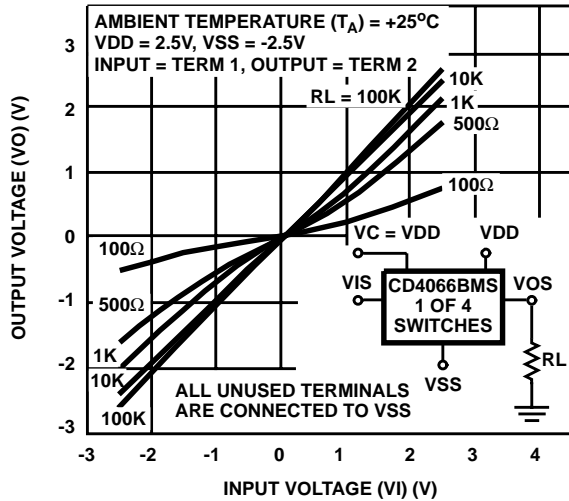


FIGURE 16. TYPICAL ON CHARACTERISTICS FOR 1 OF 4 CHANNELS

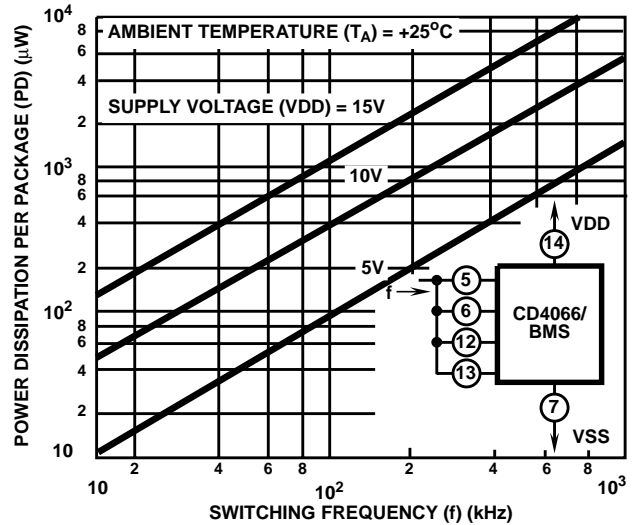
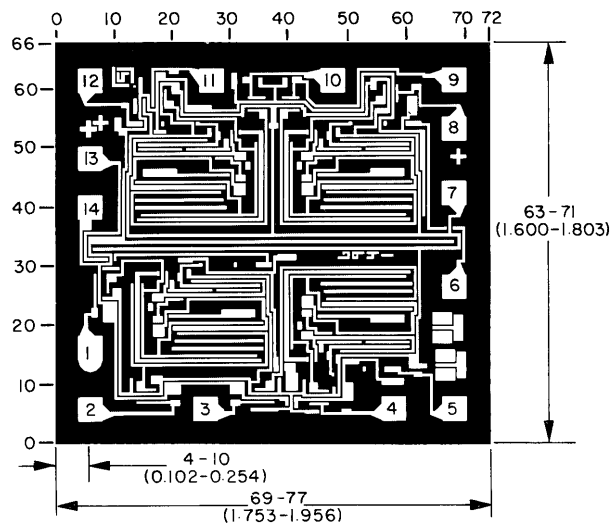


FIGURE 17. POWER DISSIPATION PER PACKAGE vs SWITCHING FREQUENCY

## Chip Dimensions and Pad Layout



Dimensions in parenthesis are in millimeters and are derived from the basic inch dimensions as indicated. Grid graduations are in mils ( $10^{-3}$  inch).

### Special Considerations

In applications that employ separate power sources to drive VDD and the signal inputs, the VDD current capability should exceed  $VDD/RL$  ( $RL$  = effective external load of the four CD4066B bilateral switches). This provision avoids any permanent current flow or clamp action on the VDD supply when power is applied or removed from the CD4066B.

In certain applications, the external load-resistor current may include both VDD and signal line components. To avoid drawing VDD current when switch current flows into terminals 1, 4, 8 or 11 the voltage drop across the bidirectional switch must not exceed 0.8 volts (calculated from  $R_{ON}$  values shown).

No VDD current will flow through  $RL$  if the switch current flows into terminals 2, 3, 9, or 10.

**METALLIZATION:** Thickness:  $11k\text{Å} - 14k\text{Å}$ , AL.

**PASSIVATION:**  $10.4k\text{Å} - 15.6k\text{Å}$ , Silane

**BOND PADS:** 0.004 inches X 0.004 inches MIN

**DIE THICKNESS:** 0.0198 inches - 0.0218 inches