

## ILC1232

mP Supervisory Circuit



### General Description

The ILC1232 is a multifunction circuit which monitors microprocessor activity, external reset and power supplies in microprocessor based systems. The circuit functions include a watchdog timer, power supply monitor, microprocessor reset, and manual pushbutton reset input.

The power supply line is monitored with a comparator and an internal voltage reference.  $\overline{RST}$  is forced low when an out-of-tolerance condition exists and remains asserted for at least 250ms after  $V_{CC}$  rises above the threshold voltage (4.5V or 4.75V). The  $\overline{RST}$  pin will remain logic low with  $V_{CC}$  as low as 1.4V.

The Watchdog input ( $\overline{ST}$ ) monitors mP activity and will assert  $\overline{RST}$  if no mP activity has occurred within the watchdog timeout period. The watchdog timeout period is selectable with nominal periods of 150, 600, or 1200 milliseconds.

### Features

- Power OK/Reset Time Delay, 250ms min.
- Watchdog Timer, 150ms, 600ms, or 1.2s typical
- Precision Supply Voltage Monitor, Select Between 5% or 10% of Supply Voltage
- 18 $\mu$ A Supply Current
- Debounced External Reset Input
- 8-Pin SO Package

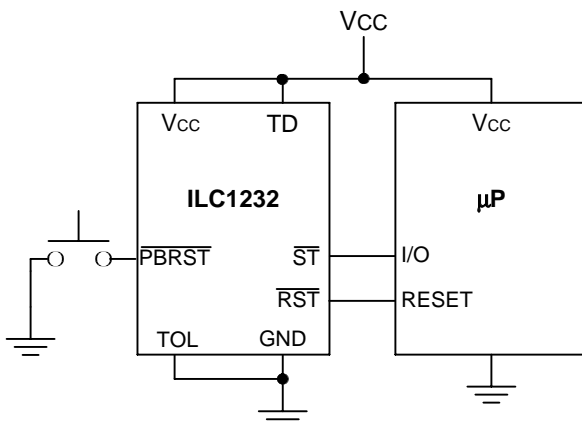
### Applications

- Computers
- Controllers
- Critical Microprocessor Power Monitoring
- Intelligent Instruments
- Portable Equipment

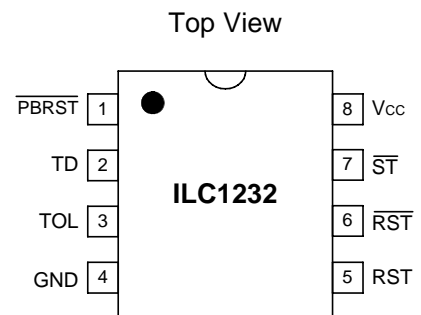
### Ordering Information

Part	Package	Temp. Range
ILC1232N	8-Lead PDIP	-40°C to +85°C
ILC1232M	8-Lead SOIC	-40°C to +85°C

### Typical Circuit



### Pin Package Configurations



ETC1232N - 8 Lead Plastic DIP Package  
ETC1232M - 8 Lead Plastic SOIC Package

### Absolute Maximum Ratings

Parameter	Symbol	Ratings	Units
Terminal Voltage	$V_{CC}$	-0.3 to 6.0	V
	All other inputs	-0.3 to ( $V_{CC} + 0.3$ )	V
Input Current	$V_{CC}$	250	mA
	GND, All other inputs	25	mA
Operating Temperature Range	$T_A$	-40 to +85	°C
Storage Temperature Range		-65 to +150	°C
Lead Temperature (Soldering, 10 sec.)		300	°C
Power Dissipation		700	mW

Stresses above those listed under ABSOLUTE MAXIMUM RATINGS may cause permanent device failure. Functionality at or above these limits is not implied. Exposure to absolute maximum ratings for extended periods may affect device reliability. Operating ranges define those limits between which the functionality of the device is guaranteed.

### Electrical Characteristics

$V_{CC} = 4.5\text{ V to }5.5\text{ V}$ , $T_A = \text{Operating Temperature Range}$ , unless otherwise noted.					
Parameter	Conditions	Min	Typ	Max	Units
Operating Voltage Range, $V_{CC}$		4.5		5.5	V
Supply Current, $I_{CC}$	(See Note 1)		18	40	$\mu\text{A}$
$\overline{\text{ST}}$ and $\overline{\text{PBRST}}$ Input Levels	$V_{IH}$ (See Note 2) $V_{IL}$	2.0 -0.3		$V_{CC} + 0.3$ 0.8	V
Input Leakage, $I_{IL}$				1	$\mu\text{A}$
Output Source Current, $\text{RST}$	$V_{OH} = 2.4\text{V}$	1.0	10		mA
Output Sink Current, $\overline{\text{RST}}$ , $\text{RST}$	$V_{OL} = 0.4\text{V}$	2.0	10		mA
$V_{CC}$ 5% Trip Point (Reset Threshold Voltage)	$\text{TOL} = \text{GND}$	4.50	4.62	4.74	V
$V_{CC}$ 10% Trip Point (Reset Threshold Voltage)	$\text{TOL} = V_{CC}$	4.25	4.37	4.49	V
Input Capacitance, $\overline{\text{ST}}$ , $\text{TOL}$	$C_{IN}$ (See Note 3)			5	pF
Output Capacitance, $\overline{\text{RST}}$ , $\text{RST}$	$C_{OUT}$ (See Note 3)			7	pF
$\overline{\text{PBRST}}$ Min. Pulse Width, $t_{PB}$	$\overline{\text{PBRST}} = V_{IL}$ (See Note 4)	20			ms
$\overline{\text{PBRST}}$ Delay, $t_{PBD}$		1	4	20	ms
Reset Active Time, $t_{RST}$		250	610	1000	ms
$\overline{\text{ST}}$ Pulse Width, $t_{ST}$		20			ns
$\overline{\text{ST}}$ Timeout Period, $t_{TD}$	$\text{TD} = 0\text{V}$	62.5	150	250	ms
	$\text{TD} = \text{Open}$	250	600	1000	
	$\text{TD} = V_{CC}$	500	1200	2000	
$V_{CC}$ Fall Time, $t_F$		10			$\mu\text{s}$
$V_{CC}$ Rise Time, $t_R$		0			ns
$V_{CC}$ Detect to $\overline{\text{RST}}$ Low and $\text{RST}$ High, $t_{RPD}$	$V_{CC}$ Falling at $1.66\text{ mV}/\mu\text{s}$		50	150	$\mu\text{s}$
$V_{CC}$ Detect to $\overline{\text{RST}}$ Open and $\text{RST}$ Low, $t_{RPU}$	$V_{CC}$ Rising (See Note 5)	250	610	1000	ms

Note 1:  $I_{CC}$  is measured with outputs open and inputs within 0.5V of supply rails.

Note 2:  $\overline{\text{PBRST}}$  has an internal  $40\text{k}\Omega$  (typical) pull-up resistor to  $V_{CC}$ .

Note 3: Guaranteed by design.

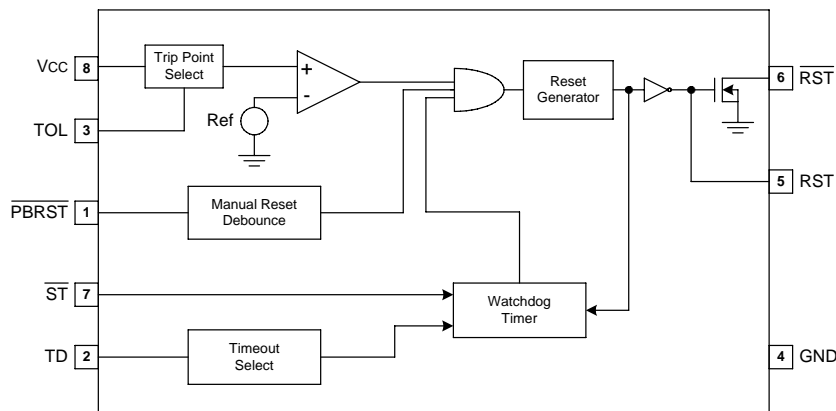
Note 4:  $\overline{\text{PBRST}}$  must be held low for a minimum of 20ms to guarantee a reset.

Note 5:  $\text{RST}$  has an open drain output.

**Pin Functions**

Pin Number	Pin Name	Description
1	$\overline{\text{PBRST}}$	Pushbutton reset input. This input is debounced and can be driven with external logic signals or a mechanical push button to actively force a reset. All pulses less than 1ms in duration on the $\overline{\text{PBRST}}$ pin are ignored. Any pulse with a duration of 20ms or greater is guaranteed to cause a reset.
2	TD	Time delay input. This input selects the timebase used by the watchdog timer. When TD = 0V, the watchdog timeout period is set to a nominal value of 150ms, when TD = open, the watchdog timeout period is set to a nominal value of 600ms and when TD = $V_{CC}$ , the watchdog timeout period is 1.2 sec nominally.
3	TOL	Tolerance select input. Selects whether 5% or 10% of $V_{CC}$ is used as the reset threshold voltage. When TOL = 0 V, the 5% tolerance level is selected and when TOL = $V_{CC}$ , a 10% tolerance level is selected.
4	GND	Ground pin, 0V reference.
5	RST	RST is asserted high if either $V_{CC}$ goes below the reset threshold, the watchdog times out or $\overline{\text{PBRST}}$ is pulled low for a minimum of 20ms. RST remains asserted for one reset timeout period after $V_{CC}$ exceeds the reset threshold or after the watchdog times out or after $\overline{\text{PBRST}}$ goes high.
6	$\overline{\text{RST}}$	$\overline{\text{RST}}$ is asserted low if either $V_{CC}$ goes below the reset threshold, the watchdog times out or $\overline{\text{PBRST}}$ is pulled low for a minimum of 20ms. $\overline{\text{RST}}$ remains asserted for one reset timeout period after $V_{CC}$ exceeds the reset threshold or after the watchdog times out or after $\overline{\text{PBRST}}$ goes high. Open-drain output.
7	$\overline{\text{ST}}$	Input to the watchdog timer. If $\overline{\text{ST}}$ does not see a transition from high to low within the watchdog timeout period, RST and $\overline{\text{RST}}$ will be asserted.
8	$V_{CC}$	Power supply input, 5V.

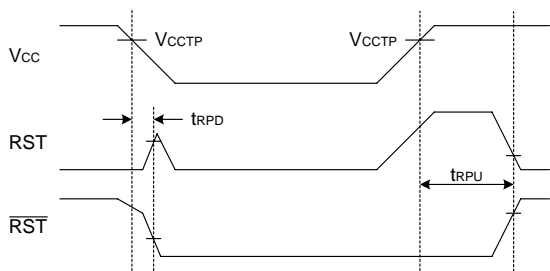
**Block Diagram**



## Circuit Description

### Power Monitor

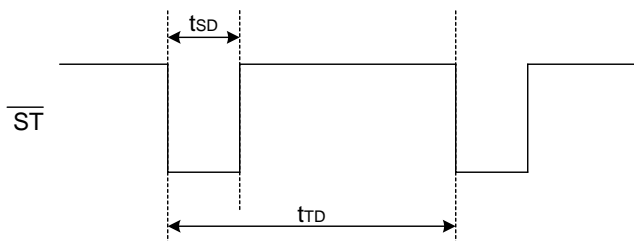
The RST and  $\overline{\text{RST}}$  pins are asserted whenever  $V_{CC}$  falls below the reset threshold voltage set by the TOL pin. A 5% tolerance level (4.62V reset threshold voltage) can be selected by connecting the TOL pin to ground or a 10% tolerance (4.37V reset threshold voltage) can be selected by connecting the TOL pin to  $V_{CC}$ . The reset pins will remain asserted for a period of 250ms after  $V_{CC}$  has risen above the reset threshold voltage. The reset function ensures the microprocessor is properly reset and powers up into a known condition after a power failure.  $\overline{\text{RST}}$  will remain valid with  $V_{CC}$  as low as 1.4V.



Power-Up/Power-Down Sequence

### Watchdog Timer

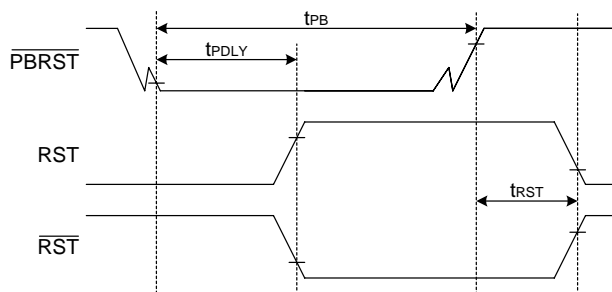
The microprocessor can be monitored by connecting the  $\overline{\text{ST}}$  pin (watchdog input) to a bus line or I/O line. If a high-to-low transition does not occur on the  $\overline{\text{ST}}$  pin within the watchdog timeout period set by the TD pin (see Table 1), the RST and  $\overline{\text{RST}}$  pins will be asserted resulting in a microprocessor reset. RST and  $\overline{\text{RST}}$  will remain asserted for 250ms when this occurs. A minimum pulse of 75ns or any transition high-to-low on the  $\overline{\text{ST}}$  pin will reset the watchdog timer. The watchdog timer will be reset if  $\overline{\text{ST}}$  sees a valid transition within the watchdog timeout period.



Watchdog Input

### Pushbutton Reset Input

The  $\overline{\text{PBRST}}$  input can be driven with a manual pushbutton switch or with external logic signals. The input is internally debounced and requires an active low signal to force the reset outputs into their active states. The  $\overline{\text{PBRST}}$  input will recognize any pulse that is 20ms in duration or greater and will ignore all pulses that are less than 1ms in duration.



Pushbutton Reset

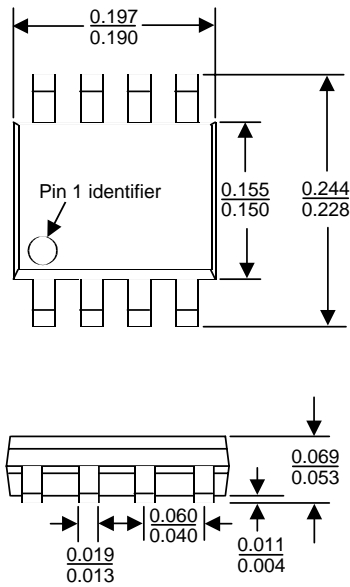
TD Pin	$t_{TD}$		
	Min.	Typ.	Max.
GND	62.5ms	150ms	250ms
Open	250ms	600ms	1000ms
$V_{CC}$	500ms	1200ms	2000ms

Table 1: Watchdog Timeout Period

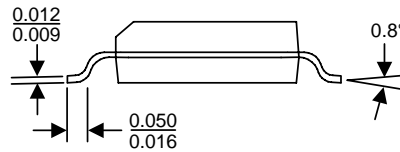
## Alternate Cross Reference Guide

Industry P/N	ILC Direct Replacement
DS1232LP	ILC1232N
DS1232LPS-2	ILC1232M
DS1232	ILC1232N
DS1232LPN	ILC1232N
DS1232LPSN-2	ILC1232M
DS1232N	ILC1232N
MAX1232CPA	ILC1232N
MAX1232CSA	ILC1232M
MAX1232EPA	ILC1232N
MAX1232ESA	ILC1232M
MAX1232C/D	ILC1232D

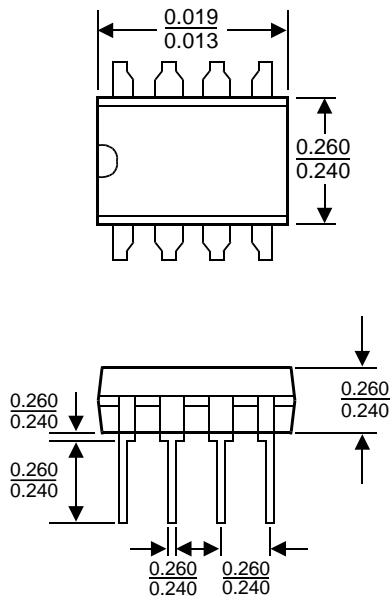
Packaging Information



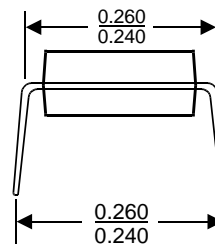
M Package, 8-Pin Small Outline



Tape and Reel Information



N Package, 8-Pin Plastic Dual-In-Line



Devices sold by Impala Linear Corporation are covered by the warranty and patent indemnification provisions appearing in its Terms of Sale only. Impala Linear Corporation makes no warranty, express, statutory, implied, or by description regarding the information set forth herein or regarding the freedom of the described devices from patent infringement. Impala Linear Corporation makes no warranty of merchantability or fitness for any purpose. Impala Linear Corporation reserves the right to discontinue production and change specifications and prices at any time and without notice.

This product is intended for use in normal commercial applications. Applications requiring an extended temperature range, unusual environmental requirements, or high reliability applications, such as military and aerospace, are specifically not recommended without additional processing by Impala Linear Corporation.

Impala Linear Corporation assumes no responsibility for the use of any circuitry other than circuitry embodied in an Impala Linear Corporation product. No other circuits, patents, licenses are implied.

Life Support Policy

Impala Linear Corporation's products are not authorized for use as critical components in life support devices or systems.

1. Life support devices or systems are devices or systems which, (a) are intended for surgical implant into the body, or (b) support or sustain life, and whose failure to perform, when properly used in accordance with instructions for use provided in the labelling, can be reasonably expected to result in a significant injury to the user.
2. A critical component is any component of a life support device or system whose failure to perform can be reasonably expected to cause the failure of the life support device or system, or to affect its safety or effectiveness.