

Document Title

8M x 8 Bit SmartMedia™ Card

Revision History

<u>Revision No.</u>	<u>History</u>	<u>Draft Date</u>	<u>Remark</u>										
0.0	Initial issue	April 10th 1999	Preliminary										
0.1	1. Changed device name - SMFV008A -> K9S6408V0A-SSB0 2. Changed the following items	Sep. 15th 1999	Preliminary										
	<table border="1"> <thead> <tr> <th>ITEM</th> <th>Before(M-die)</th> <th>After(A-die)</th> </tr> </thead> <tbody> <tr> <td>Program Time</td> <td>1,000us(Max.)</td> <td>500us(Max.)</td> </tr> <tr> <td rowspan="2">Number of partial program in the same page</td> <td rowspan="2">10 cycles</td> <td>Main Array: 2 Cycles</td> </tr> <tr> <td>Spare Array: 3 Cycles</td> </tr> </tbody> </table>	ITEM	Before(M-die)	After(A-die)	Program Time	1,000us(Max.)	500us(Max.)	Number of partial program in the same page	10 cycles	Main Array: 2 Cycles	Spare Array: 3 Cycles		
ITEM	Before(M-die)	After(A-die)											
Program Time	1,000us(Max.)	500us(Max.)											
Number of partial program in the same page	10 cycles	Main Array: 2 Cycles											
		Spare Array: 3 Cycles											
0.2	1. Changed the following item	Oct. 20th 1999	Preliminary										
	<table border="1"> <thead> <tr> <th>ITEM</th> <th>Before(M-die)</th> <th>After(A-die)</th> </tr> </thead> <tbody> <tr> <td>Input and output timing levels</td> <td>0.8V and 2.0V</td> <td>1.5V</td> </tr> </tbody> </table>	ITEM	Before(M-die)	After(A-die)	Input and output timing levels	0.8V and 2.0V	1.5V						
ITEM	Before(M-die)	After(A-die)											
Input and output timing levels	0.8V and 2.0V	1.5V											
0.3	Changed the following item	Jan. 10th 2000	Final										
	<table border="1"> <thead> <tr> <th>ITEM</th> <th>Before(M-die)</th> <th>After(A-die)</th> </tr> </thead> <tbody> <tr> <td>Data transfer from Cell to Register (tR)</td> <td>7us(Max.)</td> <td>10us(Max.)</td> </tr> </tbody> </table>	ITEM	Before(M-die)	After(A-die)	Data transfer from Cell to Register (tR)	7us(Max.)	10us(Max.)						
ITEM	Before(M-die)	After(A-die)											
Data transfer from Cell to Register (tR)	7us(Max.)	10us(Max.)											
0.4	1. Changed invalid block(s) marking method prior to shipping - Physical format standard specifies that block status is defined by the 6th byte in the spare area. Samsung makes sure that the first page of every invalid block has 00h data at the column address of 517(4MB SmartMedia and higher densities) or 261(2MB SmartMedia). --> Physical format standard by SSFDC Forum specifies that for the invalid blocks the 6th byte in the spare area (column address 517 for 4MB SmartMedia and higher densities, 261 for 2MB SmartMedia, respectively) contains two or more "0" bits to indicate a invalid block.	July 17th 2000	Final										

Note : For more detailed features and specifications including FAQ, please refer to Samsung's Flash web site.  
<http://www.intl.samsungsemi.com/Memory/Flash/datasheets.html>

The attached datasheets are prepared and approved by SAMSUNG Electronics. SAMSUNG Electronics CO., LTD. reserve the right to change the specifications. SAMSUNG Electronics will evaluate and reply to your requests and questions about device. If you have any questions, please contact the SAMSUNG branch office near you.

**8M x 8 Bit SmartMedia™ Card**

**FEATURES**

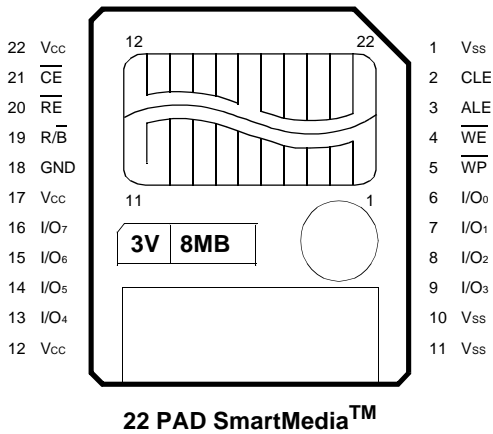
- Single 2.7V~3.6V Supply
- Organization
  - Memory Cell Array : (8M + 256K)bit x 8bit
  - Data Register : (512 + 16)bit x8bit
- Automatic Program and Erase
  - Page Program : (512 + 16)Byte
  - Block Erase : (8K + 256)Byte
- 528-Byte Page Read Operation
  - Random Access : 7µs(Max.)
  - Serial Page Access : 50ns(Min.)
- Fast Write Cycle Time
  - Program Time : 200µs(Typ.)
  - Block Erase Time : 2ms(Typ.)
- Command/Address/Data Multiplexed I/O port
- Hardware Data Protection
  - Program/Erase Lockout During Power Transitions
- Reliable CMOS Floating-Gate Technology
  - Endurance : 1Million Program/Erase Cycles
  - Data Retention : 10 years
- Command Register Operation
- 22 pad SmartMedia™(SSFDC)

**GENERAL DESCRIPTION**

The K9S6408V0A is a 8M(8,388,608)x8bit NAND Flash Memory with a spare 256K(262,144)x8bit. Its NAND cell provides the most cost-effective solution for the solid state mass storage market. A program operation programs the 528-byte page in typically 200µs and an erase operation can be performed in typically 2ms on an 8K-byte block. Data in the page can be read out at 50ns cycle time per byte. The I/O pins serve as the ports for address and data input/output as well as command inputs. The on-chip write controller automates all program and erase functions including pulse repetition, where required, and internal verify and margining of data. Even the write-intensive systems can take advantage of the K9S6408V0A's extended reliability of 1,000,000 program/erase cycles by providing ECC(Error Correcting Code) with real time mapping-out algorithm.

The K9S6408V0A is an optimum solution for large nonvolatile storage applications such as solid state file storage, digital voice recorder, digital still camera and other portable applications requiring non-volatility.

**SmartMedia™ CARD(SSFDC)**



**PIN DESCRIPTION**

Pin Name	Pin Function
I/O <sub>0</sub> ~ I/O <sub>7</sub>	Data Input/Outputs
CLE	Command Latch Enable
ALE	Address Latch Enable
$\overline{CE}$	Chip Enable
$\overline{RE}$	Read Enable
$\overline{WE}$	Write Enable
$\overline{WP}$	Write Protect
GND	Ground
$\overline{R/\overline{B}}$	Ready/Busy output
Vcc	Power(2.7V~3.6V)
Vss	Ground
N.C	No Connection

**NOTE** : Connect all Vcc and Vss pins of each device to power supply outputs.  
Do not leave Vcc or Vss disconnected.

Figure 1. FUNCTIONAL BLOCK DIAGRAM

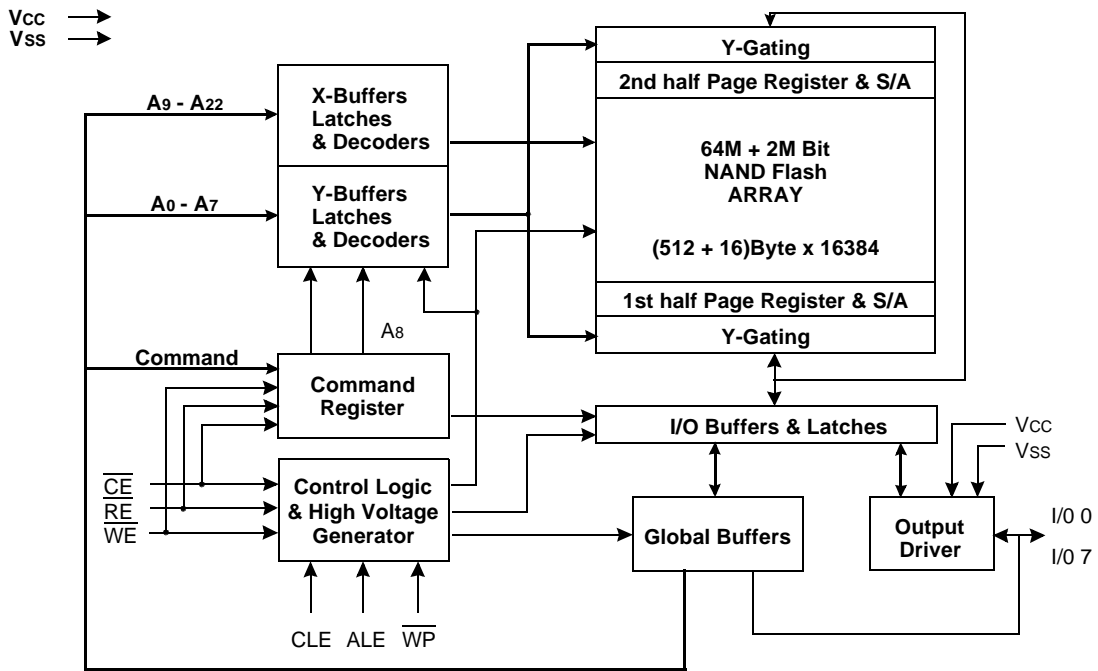
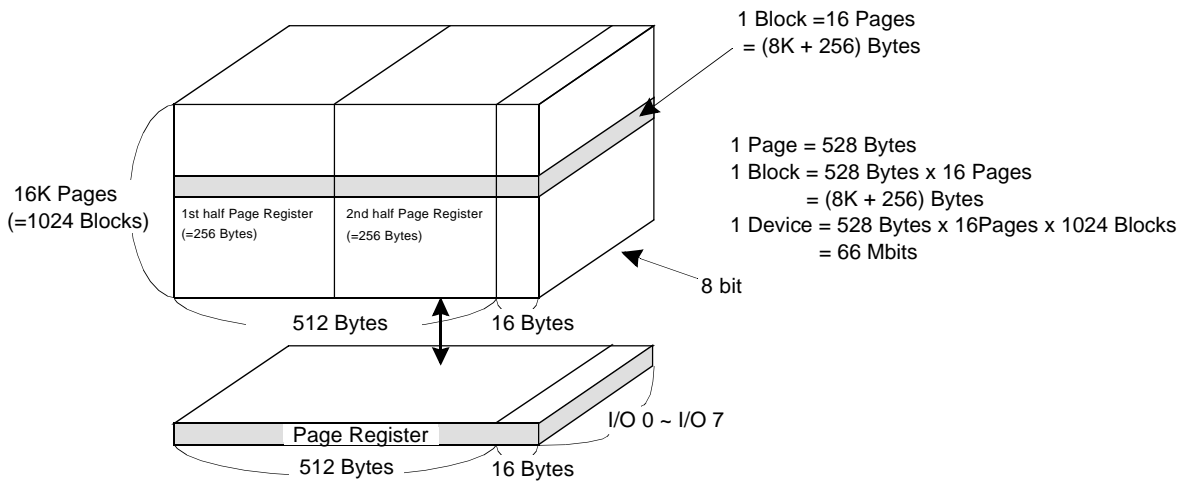


Figure 2. ARRAY ORGANIZATION



	I/O 0	I/O 1	I/O 2	I/O 3	I/O 4	I/O 5	I/O 6	I/O 7	
1st Cycle	A0	A1	A2	A3	A4	A5	A6	A7	Column Address
2nd Cycle	A9	A10	A11	A12	A13	A14	A15	A16	Row Address
3rd Cycle	A17	A18	A19	A20	A21	A22	*X	*X	(Page Address)

**NOTE :** Column Address : Starting Address of the Register.  
 00h Command(Read) : Defines the starting address of the 1st half of the register.  
 01h Command(Read) : Defines the starting address of the 2nd half of the register.  
 \* A<sub>8</sub> is set to "Low" or "High" by the 00h or 01h Command.  
 \* X can be High or Low.

## PRODUCT INTRODUCTION

The K9S6408V0A is a 66Mbit(69,206,016 bit) memory organized as 16,384 rows(pages) by 528 columns. Spare sixteen columns are located from column address of 512 to 527. A 528-byte data register is connected to memory cell arrays accommodating data transfer between the I/O buffers and memory during page read and page program operations. The memory array is made up of 16 cells that are serially connected to form a NAND structure. Each of the 16 cells resides in a different page. A block consists of the 16 pages formed by one NAND structures, totaling 4,224 NAND structures of 16 cells. The array organization is shown in Figure 2. The program and read operations are executed on a page basis, while the erase operation is executed on a block basis. The memory array consists of 1024 separately erasable 8K-byte blocks. It indicates that the bit by bit erase operation is prohibited on the K9S6408V0A.

The K9S6408V0A has addresses multiplexed into 8 I/O's. This scheme dramatically reduces pin counts and allows systems upgrades to future densities by maintaining consistency in system board design. Command, address and data are all written through I/O's by bringing  $\overline{WE}$  to low while  $\overline{CE}$  is low. Data is latched on the rising edge of  $\overline{WE}$ . Command Latch Enable(CLE) and Address Latch Enable(ALE) are used to multiplex command and address respectively, via the I/O pins. All commands require one bus cycle except for Block Erase command which requires two cycles: one cycle for erase-setup and another for erase-execution after block address loading. The 8M byte physical space requires 23 addresses, thereby requiring three cycles for byte-level addressing: column address, low row address and high row address, in that order. Page Read and Page Program need the same three address cycles following the required command input. In Block Erase operation, however, only the two row address cycles are used. Device operations are selected by writing specific commands into the command register. Table 1 defines the specific commands of the K9S6408V0A.

**Table 1. COMMAND SETS**

Function	1st. Cycle	2nd. Cycle	Acceptable Command during Busy
Read 1	00h/01h <sup>(1)</sup>	-	
Read 2	50h	-	
Read ID	90h	-	
Reset	FFh	-	O
Page Program	80h	10h	
Block Erase	60h	D0h	
Read Status	70h	-	O

**NOTE :** 1. The 00h command defines starting address of the 1st half of registers.

The 01h command defines starting address of the 2nd half of registers.

After data access on the 2nd half of register by the 01h command, the status pointer is automatically moved to the 1st half register(00h) on the next cycle.

**PIN DESCRIPTION****Command Latch Enable(CLE)**

The CLE input controls the path activation for commands sent to the command register. When active high, commands are latched into the command register through the I/O ports on the rising edge of the  $\overline{WE}$  signal.

**Address Latch Enable(ALE)**

The ALE input controls the activating path for address to the internal address registers. Addresses are latched on the rising edge of  $\overline{WE}$  with ALE high.

**Chip Enable( $\overline{CE}$ )**

The  $\overline{CE}$  input is the device selection control. When  $\overline{CE}$  goes high during a read operation the device is returned to standby mode. However, when the device is in the busy state during program or erase,  $\overline{CE}$  high is ignored, and does not return the device to standby mode.

**Write Enable( $\overline{WE}$ )**

The  $\overline{WE}$  input controls writes to the I/O port. Commands, address and data are latched on the rising edge of the  $\overline{WE}$  pulse.

**Read Enable( $\overline{RE}$ )**

The  $\overline{RE}$  input is the serial data-out control, and when active drives the data onto the I/O bus. Data is valid tREA after the falling edge of  $\overline{RE}$  which also increments the internal column address counter by one.

**I/O Port : I/O 0 ~ I/O 7**

The I/O pins are used to input command, address and data, and to output data during read operations. The I/O pins float to high-z when the chip is deselected or when the outputs are disabled.

**Write Protect( $\overline{WP}$ )**

The  $\overline{WP}$  pin provides inadvertent write/erase protection during power transitions. The internal high voltage generator is reset when the  $\overline{WP}$  pin is active low.

**Ready/Busy( $R/\overline{B}$ )**

The  $R/\overline{B}$  output indicates the status of the device operation. When low, it indicates that a program, erase or random read operation is in process and returns to high state upon completion. It is an open drain output and does not float to high-z condition when the chip is deselected or when outputs are disabled.

**ABSOLUTE MAXIMUM RATINGS**

Parameter	Symbol	Rating	Unit
Voltage on any pin relative to Vss	V <sub>CC</sub>	-0.6 to + 4.6	V
	V <sub>IN</sub>	-0.6 to + 4.6	
Temperature Under Bias	T <sub>BIAS</sub>	-10 to +65	°C
Storage Temperature	T <sub>STG</sub>	-20 to +65	°C

**NOTE :**

1. Minimum DC voltage is -0.3V on input/output pins. During transitions, this level may undershoot to -2.0V for periods <30ns. Maximum DC voltage on input/output pins is V<sub>CC</sub>+0.3V which, during transitions, may overshoot to V<sub>CC</sub>+2.0V for periods <20ns.
2. Permanent device damage may occur if ABSOLUTE MAXIMUM RATINGS are exceeded. Functional operation should be restricted to the conditions as detailed in the operational sections of this data sheet. Exposure to absolute maximum rating conditions for extended periods may affect reliability.

**RECOMMENDED OPERATING CONDITIONS** (Voltage reference to GND, T<sub>A</sub>=0 to 55°C)

Parameter	Symbol	Min	Typ.	Max	Unit
Supply Voltage	V <sub>CC</sub>	2.7	3.3	3.6	V
Supply Voltage	V <sub>SS</sub>	0	0	0	V

**DC AND OPERATING CHARACTERISTICS**(Recommended operating conditions otherwise noted.)

Parameter		Symbol	Test Conditions	Min	Typ	Max	Unit
Operating Current	Sequential Read	I <sub>CC1</sub>	t <sub>RC</sub> =50ns, $\overline{CE}=V_{IL}$ , I <sub>OUT</sub> =0mA	-	10	20	mA
	Program	I <sub>CC2</sub>	-	-	10	20	
	Erase	I <sub>CC3</sub>	-	-	10	20	
Stand-by Current(TTL)		I <sub>SB1</sub>	$\overline{CE}=V_{IH}$ , $\overline{WP}=0V/V_{CC}$	-	-	1	μA
Stand-by Current(CMOS)		I <sub>SB2</sub>	$\overline{CE}=V_{CC}-0.2$ , $\overline{WP}=0V/V_{CC}$	-	10	50	
Input Leakage Current		I <sub>LI</sub>	V <sub>IN</sub> =0 to 3.6V	-	-	±10	
Output Leakage Current		I <sub>LO</sub>	V <sub>OUT</sub> =0 to 3.6V	-	-	±10	V
Input High Voltage, All inputs		V <sub>IH</sub>	-	2.0	-	V <sub>CC</sub> +0.3	
Input Low Voltage, All inputs		V <sub>IL</sub>	-	-0.3	-	0.8	
Output High Voltage Level		V <sub>OH</sub>	I <sub>OH</sub> =-400μA	2.4	-	-	mA
Output Low Voltage Level		V <sub>OL</sub>	I <sub>OL</sub> =2.1mA	-	-	0.4	
Output Low Current(R $\overline{B}$ )		I <sub>OL</sub> (R $\overline{B}$ )	V <sub>OL</sub> =0.4V	8	10	-	

## VALID BLOCK

Parameter	Symbol	Min	Typ.	Max	Unit
Valid Block Number	NvB	1014	1020	1024	Blocks

### NOTE :

1. The K9S3208V0A may include invalid blocks when first shipped. Additional invalid blocks may develop while being used. The number of valid blocks is presented with both cases of invalid blocks considered. Invalid blocks are defined as blocks that contain one or more bad bits. **Do not try to access these invalid blocks for program and erase.** Refer to the attached technical notes for a appropriate management of invalid blocks.

## AC TEST CONDITION (TA=0 to 55°C, VCC=2.7~3.6V unless otherwise noted)

Parameter	Value
Input Pulse Levels	0.4V to 2.4V
Input Rise and Fall Times	5ns
Input and Output Timing Levels	1.5V
Output Load 3.0V±10%	1 TTL GATE and CL = 50pF
Output Load 3.3V±10%	1 TTL GATE and CL = 100pF

## CAPACITANCE (TA=25°C, VCC=3.3V, f=1.0MHz)

Item	Symbol	Test Condition	Min	Max	Unit
Input/Output Capacitance	C <sub>I/O</sub>	V <sub>IL</sub> =0V	-	10	pF
Input Capacitance	C <sub>IN</sub>	V <sub>IN</sub> =0V	-	10	pF

NOTE : Capacitance is periodically sampled and not 100% tested.

## MODE SELECTION

CLE	ALE	CE	WE	RE	WP	Mode	
H	L	L		H	X	Read Mode	Command Input
L	H	L		H	X		Address Input(3clock)
H	L	L		H	H	Write Mode	Command Input
L	H	L		H	H		Address Input(3clock)
L	L	L		H	H	Data Input	
L	L	L	H		X	Sequential Read & Data Output	
L	L	L	H	H	X	During Read(Busy)	
X	X	X	X	X	H	During Program(Busy)	
X	X	X	X	X	H	During Erase(Busy)	
X	X <sup>(1)</sup>	X	X	X	L	Write Protect	
X	X	H	X	X	0V/VCC <sup>(2)</sup>	Stand-by	

NOTE : 1. X can be V<sub>IL</sub> or V<sub>IH</sub>.

2. WP should be biased to CMOS high or CMOS low for standby.

## Program/Erase Characteristics

Parameter	Symbol	Min	Typ	Max	Unit
Program Time	t <sub>PROG</sub>	-	200	500	μs
Number of Partial Program Cycles in the Same Page	Main Array	-	-	2	cycles
	Spare Array	-	-	3	cycles
Block Erase Time	t <sub>BERS</sub>	-	2	4	ms

## AC Timing Characteristics for Command / Address / Data Input

Parameter	Symbol	Min	Max	Unit
CLE Set-up Time	tCLS	0	-	ns
CLE Hold Time	tCLH	10	-	ns
$\overline{\text{CE}}$ Setup Time	tCS	0	-	ns
$\overline{\text{CE}}$ Hold Time	tCH	10	-	ns
$\overline{\text{WE}}$ Pulse Width	tWP	25	-	ns
ALE Setup Time	tALS	0	-	ns
ALE Hold Time	tALH	10	-	ns
Data Setup Time	tDS	20	-	ns
Data Hold Time	tDH	10	-	ns
Write Cycle Time	tWC	50	-	ns
$\overline{\text{WE}}$ High Hold Time	tWH	15	-	ns

## AC Characteristics for Operation

Parameter	Symbol	Min	Max	Unit
Data Transfer from Cell to Register	tR	-	10	$\mu\text{s}$
ALE to $\overline{\text{RE}}$ Delay( ID read )	tAR1	100	-	ns
ALE to $\overline{\text{RE}}$ Delay(Read cycle)	tAR2	50	-	ns
$\overline{\text{CE}}$ to $\overline{\text{RE}}$ Delay( ID read)	tCR	100	-	ns
Ready to $\overline{\text{RE}}$ Low	tRR	20	-	ns
$\overline{\text{RE}}$ Pulse Width	tRP	30	-	ns
$\overline{\text{WE}}$ High to Busy	tWB	-	100	ns
Read Cycle Time	tRC	50	-	ns
$\overline{\text{RE}}$ Access Time	tREA	-	35	ns
$\overline{\text{RE}}$ High to Output Hi-Z	tRHZ	15	30	ns
$\overline{\text{CE}}$ High to Output Hi-Z	tCHZ	-	20	ns
$\overline{\text{RE}}$ High Hold Time	tREH	15	-	ns
Output Hi-Z to $\overline{\text{RE}}$ Low	tIR	0	-	ns
Last RE High to Busy(at sequential read)	tRB	-	100	ns
$\overline{\text{CE}}$ High to Ready(in case of interception by $\overline{\text{CE}}$ at read)	tCRY	-	$50 + t_r(\text{R}/\overline{\text{B}})^{(1)}$	ns
$\overline{\text{CE}}$ High Hold Time(at the last serial read) <sup>(2)</sup>	tCEH	100	-	ns
$\overline{\text{RE}}$ Low to Status Output	tRSTO	-	35	ns
$\overline{\text{CE}}$ Low to Status Output	tCSTO	-	45	ns
$\overline{\text{WE}}$ High to $\overline{\text{RE}}$ Low	tWHR	60	-	ns
$\overline{\text{RE}}$ access time(Read ID)	tREADID	-	35	ns
Device Resetting Time(Read/Program/Erase)	tRST	-	5/10/500	$\mu\text{s}$

## NOTE :

1. The time to Ready depends on the value of the pull-up resistor tied R/ $\overline{\text{B}}$  pin.
2. To break the sequential read cycle,  $\overline{\text{CE}}$  must be held high for longer time than tCEH.



SmartMedia Technical Notes

Invalid Block(s)

Invalid blocks are defined as blocks that contain one or more invalid bits whose reliability is not guaranteed by Samsung. The information regarding the invalid block(s) is so called as the invalid block information. An invalid block(s) does not affect the performance of valid block(s) because it is isolated from the bit line and the common source line by a select transistor. The system design must be able to mask out the invalid block(s) via address mapping.

Identifying Invalid Block(s)

SSFDC Forum specifies the logical format and physical format to ensure compatibility of SmartMedia. Samsung pre-formats SmartMedia in the Forum-compliant format prior to shipping. Physical format standard by SSFDC Forum specifies that for the invalid blocks the 6th byte in the spare area (column address 517 for 4MB SmartMedia and higher densities, 261 for 2MB SmartMedia, respectively) contains two or more "0" bits to indicate a invalid block. Other than the blocks with format data and the invalid blocks are erased(FFh). Since the invalid block information is also erasable in most cases, it is impossible to recover the information once it has been erased. Therefore, the system must be able to recognize the invalid block(s) based on the original invalid block information and create the invalid block table via the following suggested flow chart(Figure 1). Any intentional erasure of the original invalid block information is prohibited.

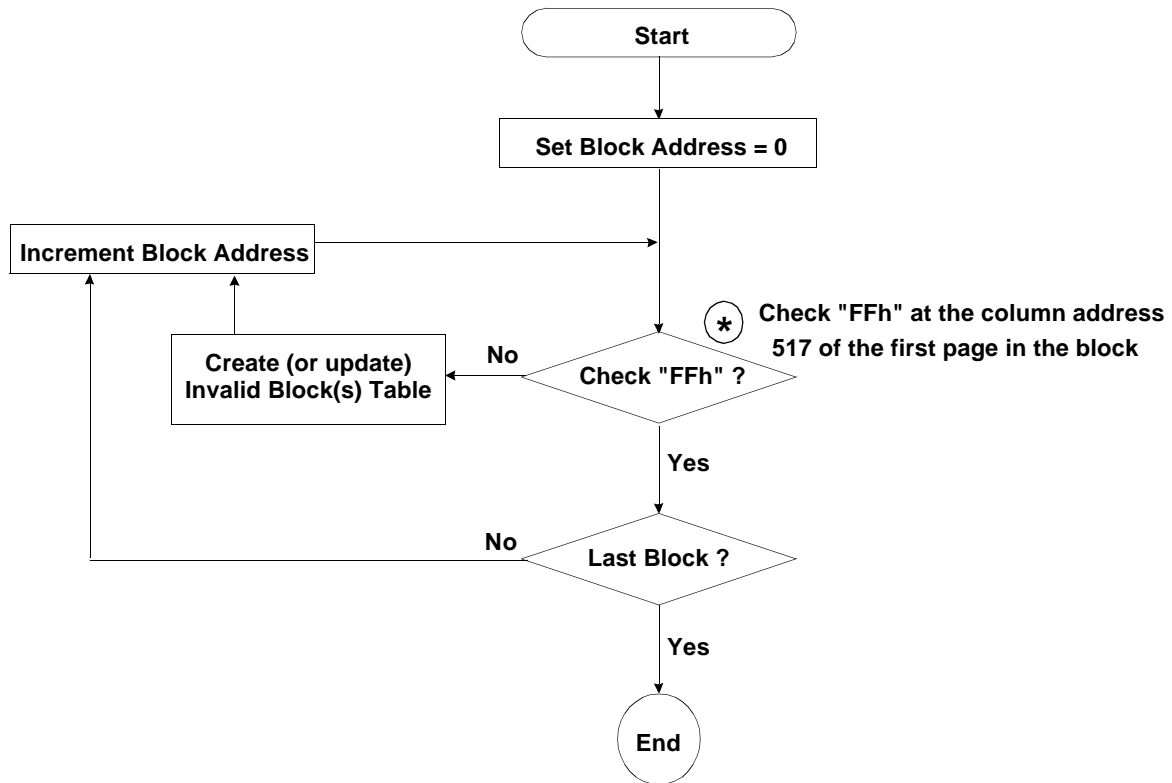


Figure 1. Flow chart to create invalid block table.

SmartMedia Technical Notes (Continued)

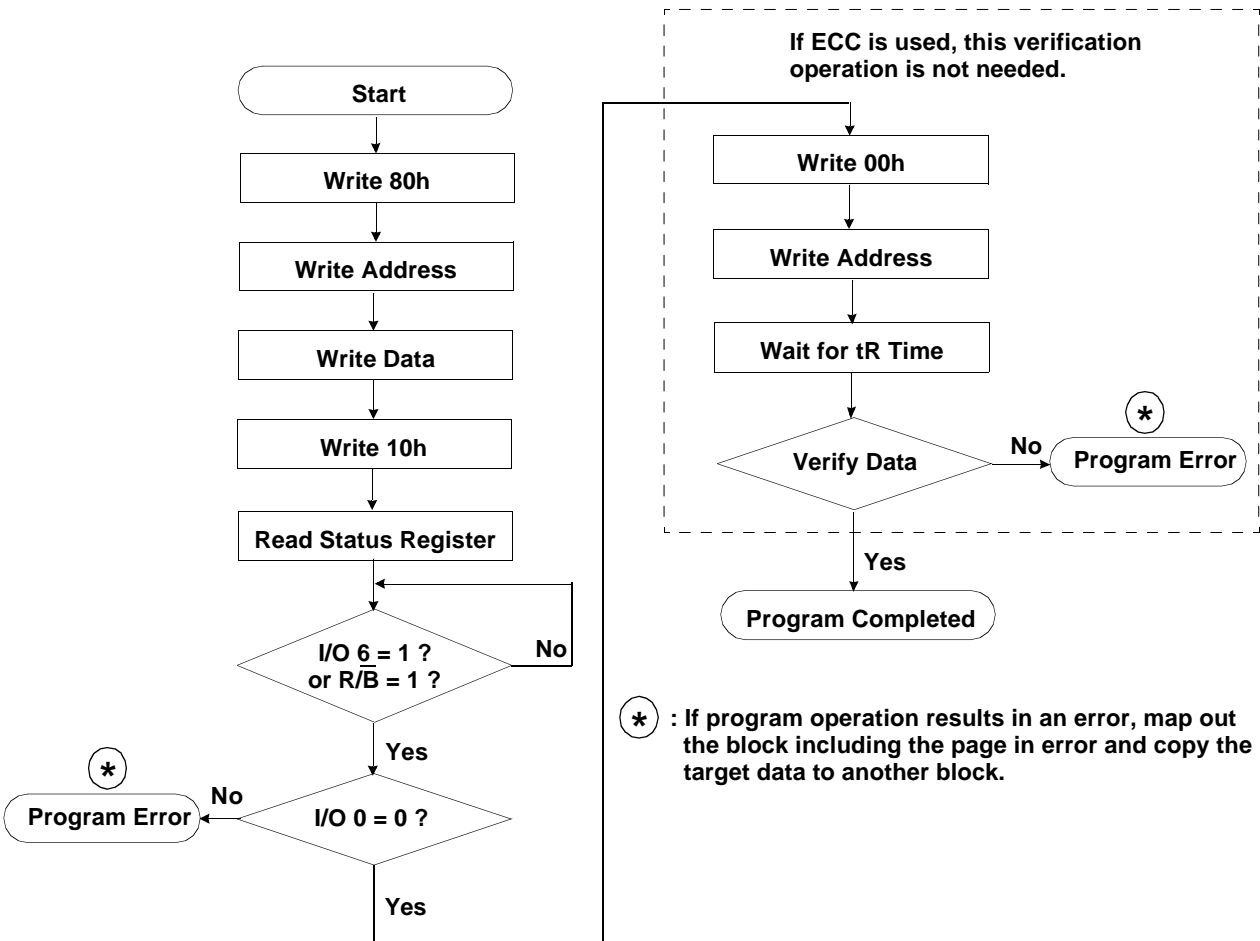
Error in write or read operation

Over its life time, the additional invalid blocks may develop with NAND Flash memory. Refer to the qualification report for the actual data. The following possible failure modes should be considered to implement a highly reliable system. In the case of status read failure after erase or program, block replacement should be done. To improve the efficiency of memory space, it is recommended that the read or verification failure due to single bit error be reclaimed by ECC without any block replacement. The said additional block failure rate does not include those reclaimed blocks.

Failure Mode		Detection and Countermeasure sequence
Write	Erase Failure	Status Read after Erase --> Block Replacement
	Program Failure	Status Read after Program --> Block Replacement Read back ( Verify after Program) --> Block Replacement or ECC Correction
Read	Single Bit Failure	Verify ECC -> ECC Correction

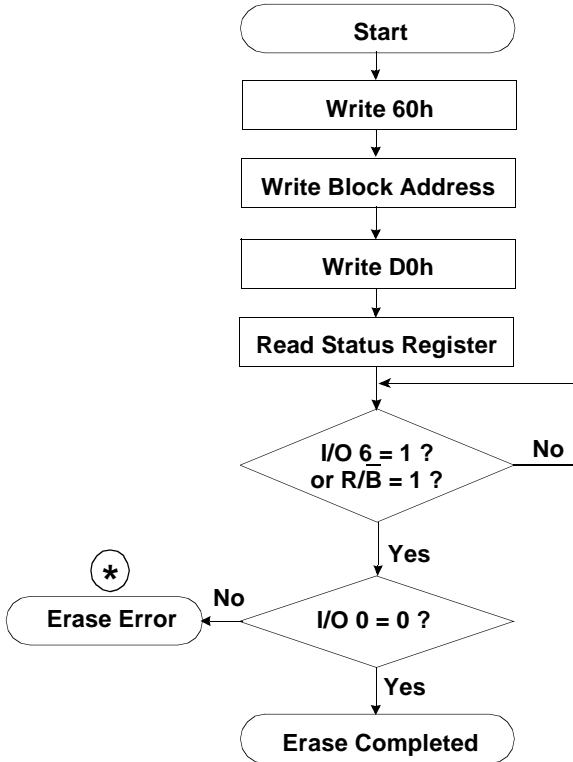
**ECC** : Error Correcting Code --> Hamming Code etc.  
Example) 1bit correction & 2bit detection

Program Flow Chart

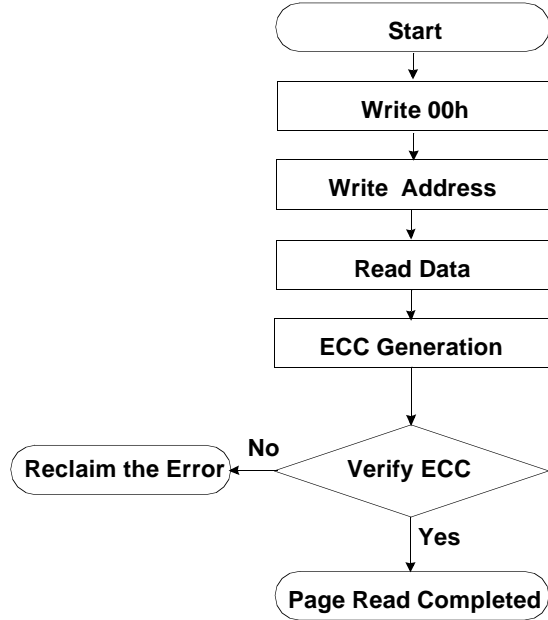


SmartMedia Technical Notes (Continued)

Erase Flow Chart

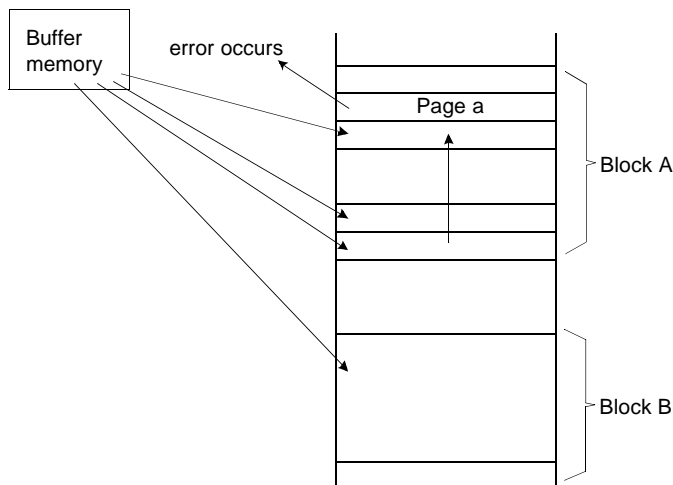


Read Flow Chart



\* : If erase operation results in an error, map out the failing block and replace it with another block.

Block Replacement



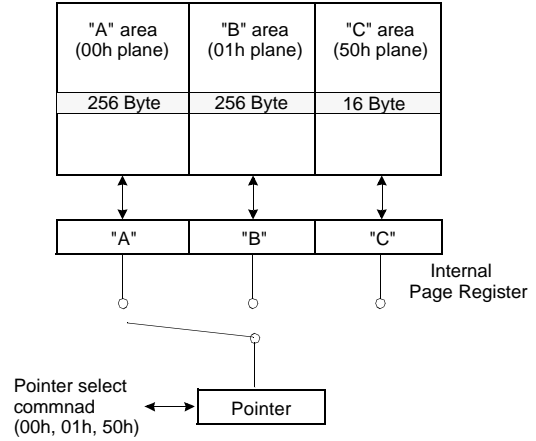
When the error happens with page "a" of Block "A", try to write the data into another Block "B" from an external buffer. Then, prevent further system access to Block "A" (by creating a "invalid block" table or other appropriate scheme.)

**Pointer Operation of K9S6408V0A**

The K9S6408V0A has three modes to set the destination of the pointer. The pointer is set to "A" area by the "00h" command, to "B" area by the "01h" command, and to "C" area by the "50h" command. Table 1 shows the destination of the pointer, and figure 2 shows the block diagram of its operations.

**Table 1. Destination of the pointer**

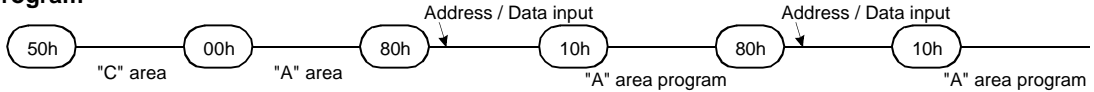
Command	Pointer position	Area
00h	0 ~ 255 byte	1st half array(A)
01h	256 ~ 511 byte	2nd half array(B)
50h	512 ~ 527 byte	spare array(C)



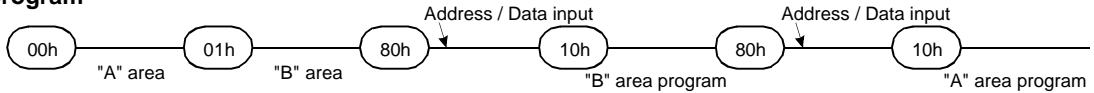
**Figure 2. Block Diagram of Pointer Operation**

**Example of Pointer Operation programming**

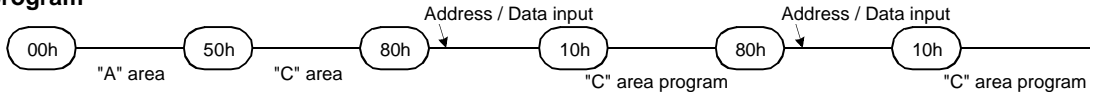
**(1) "A" area program**



**(2) "B" area program**



**(3) "C" area program**



**Table 2. Pointer Status after each operation**

Operation	Pointer status after operation
Program	With previous 00h, Device is set to 00h Plane With previous 01h, Device is set to 00h Plane* With previous 50h, Device is set to 50h Plane
Reset	"00h" Plane("A" area)
Power up	"00h" Plane("A" area)

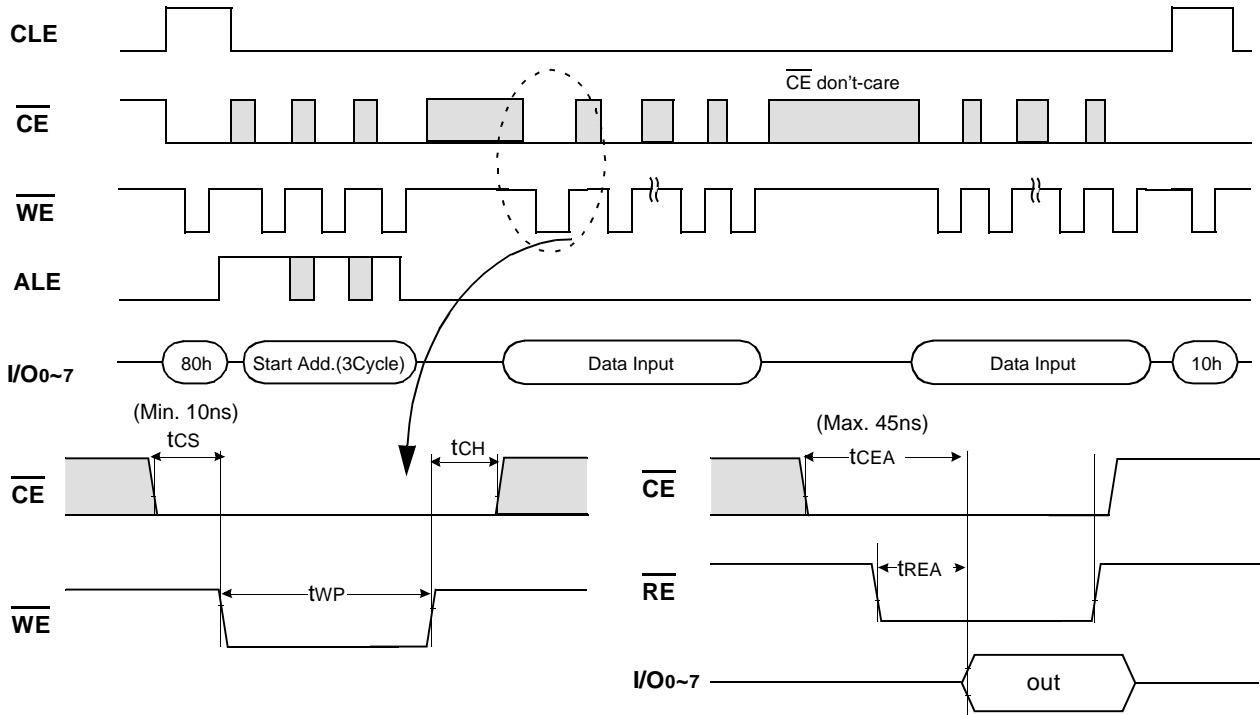
\* 01h command is valid just one time when it is used as a pointer for program/erase.

\* Erase operation does not affect the pointer status. Previous pointer status is maintained.

**System Interface Using  $\overline{CE}$  don't-care.**

For a easier system interface,  $\overline{CE}$  may be inactive during the data-loading or sequential data-reading as shown below. The internal 528byte page registers are utilized as seperate buffers for this operation and the system design gets more flexible. In addition, for voice or audio applications which use slow cycle time on the order of u-seconds, de-activating  $\overline{CE}$  during the data-loading and reading would provide significant savings in power consumption.

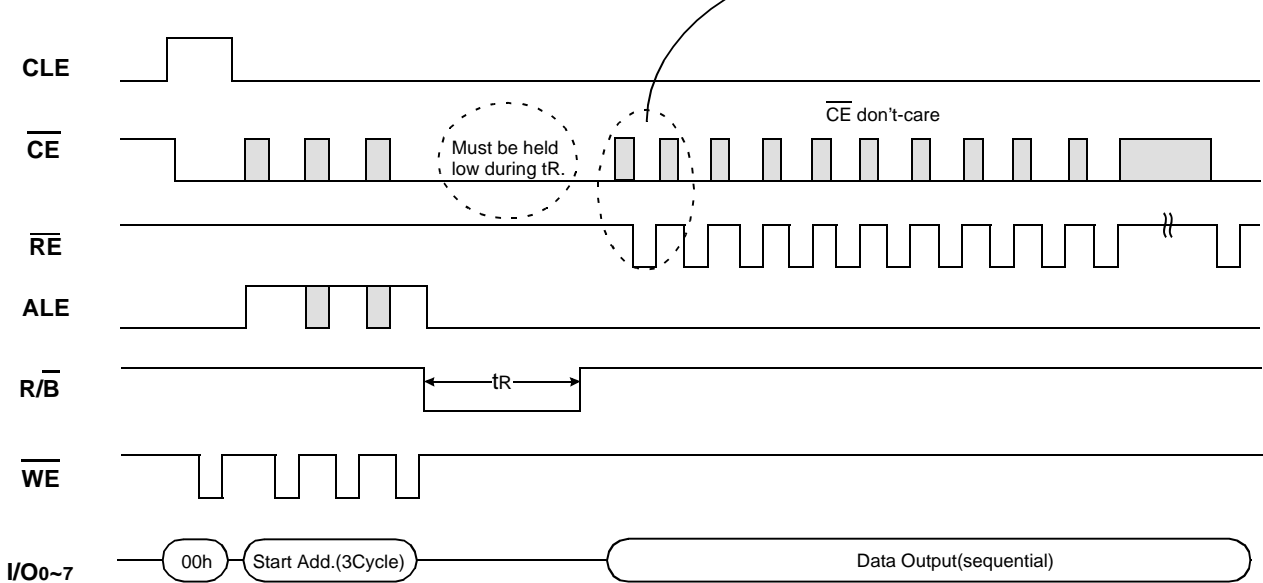
**Figure 3. Program Operation with  $\overline{CE}$  don't-care.**



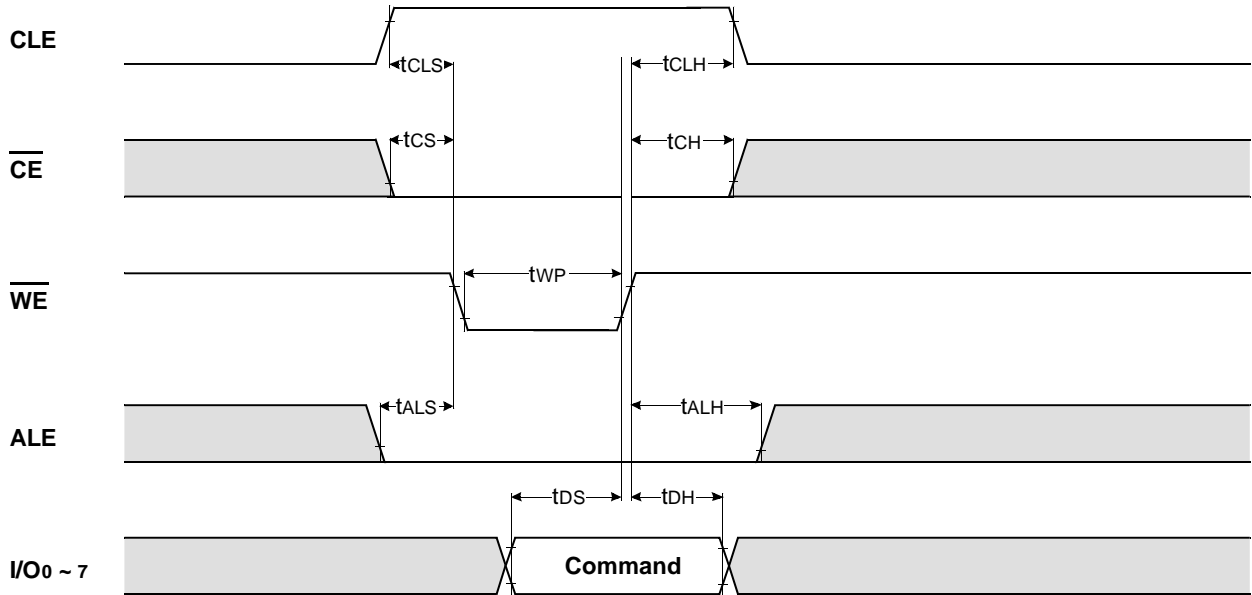
Timing requirements : If  $\overline{CE}$  is exerted high during data-loading, tCS must be minimum 10ns and tWC must be increased accordingly.

Timing requirements : If  $\overline{CE}$  is exerted high during sequential data-reading, the falling edge of  $\overline{CE}$  to valid data(tCEA) must be kept greater than 45ns.

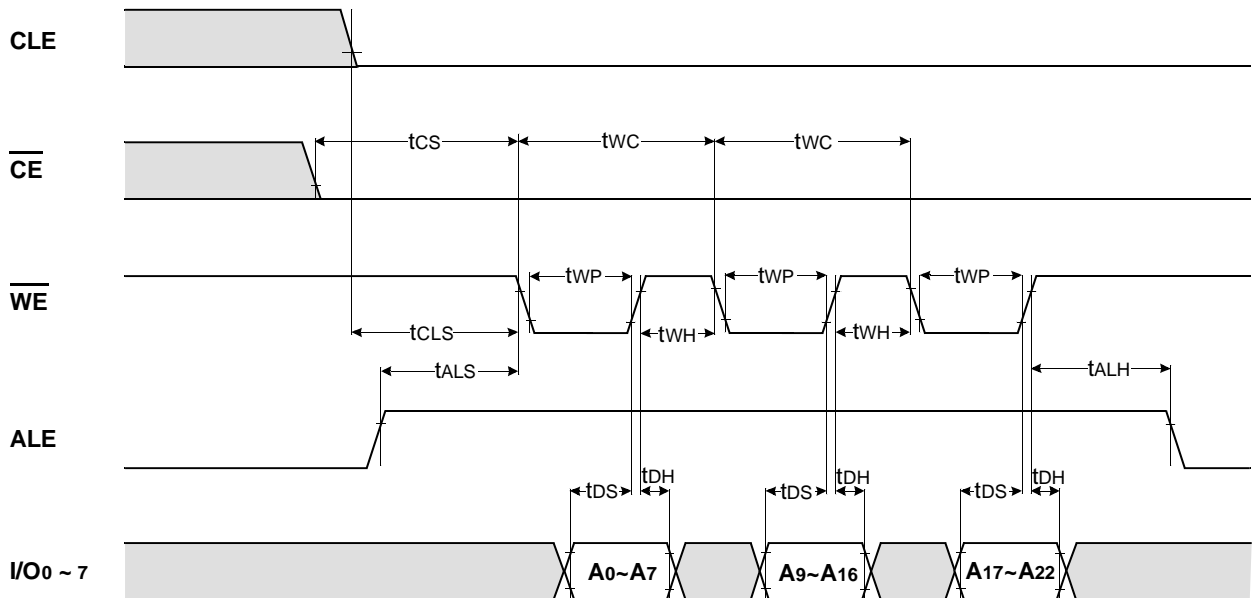
**Figure 4. Read Operation with  $\overline{CE}$  don't-care.**



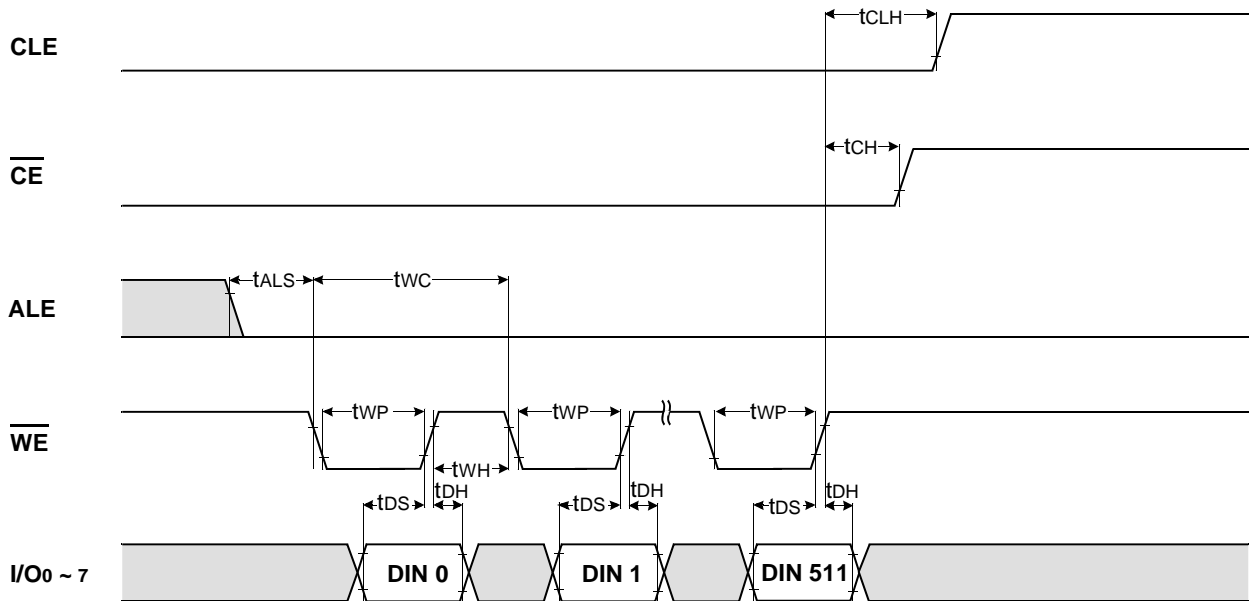
\* Command Latch Cycle



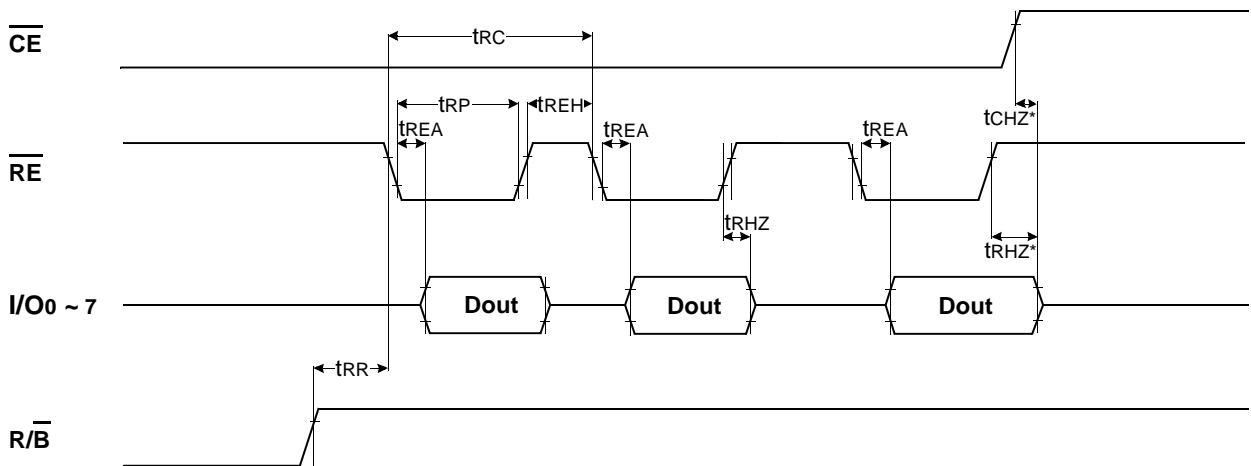
\* Address Latch Cycle



\* Input Data Latch Cycle

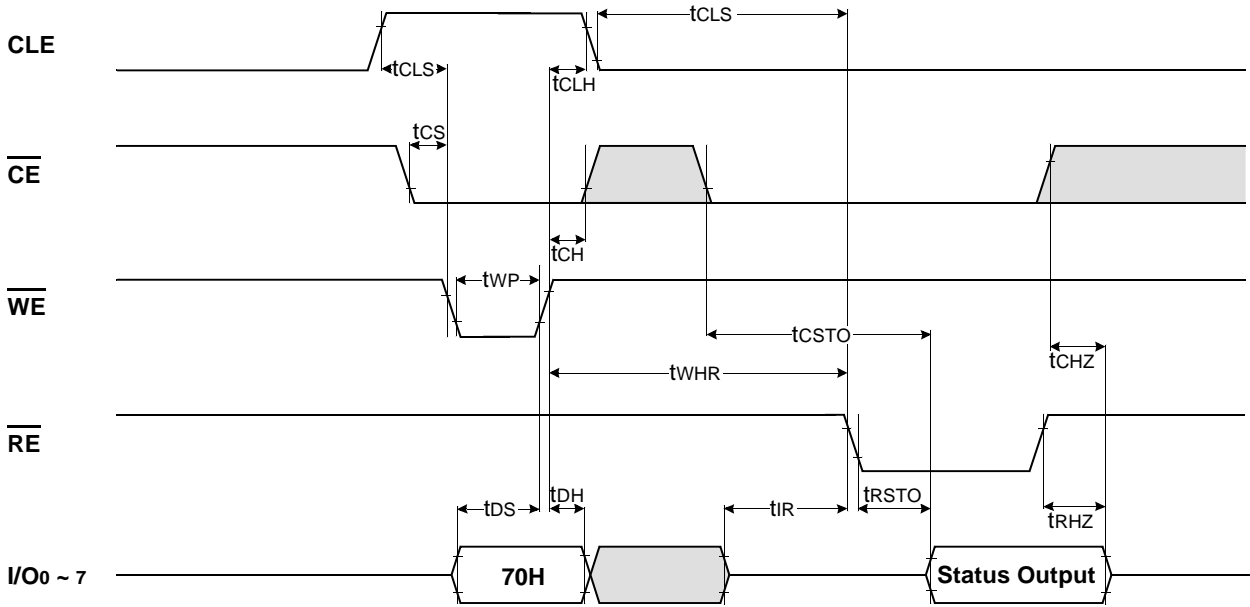


\* Sequential Out Cycle after Read (CLE=L, WE=H, ALE=L)

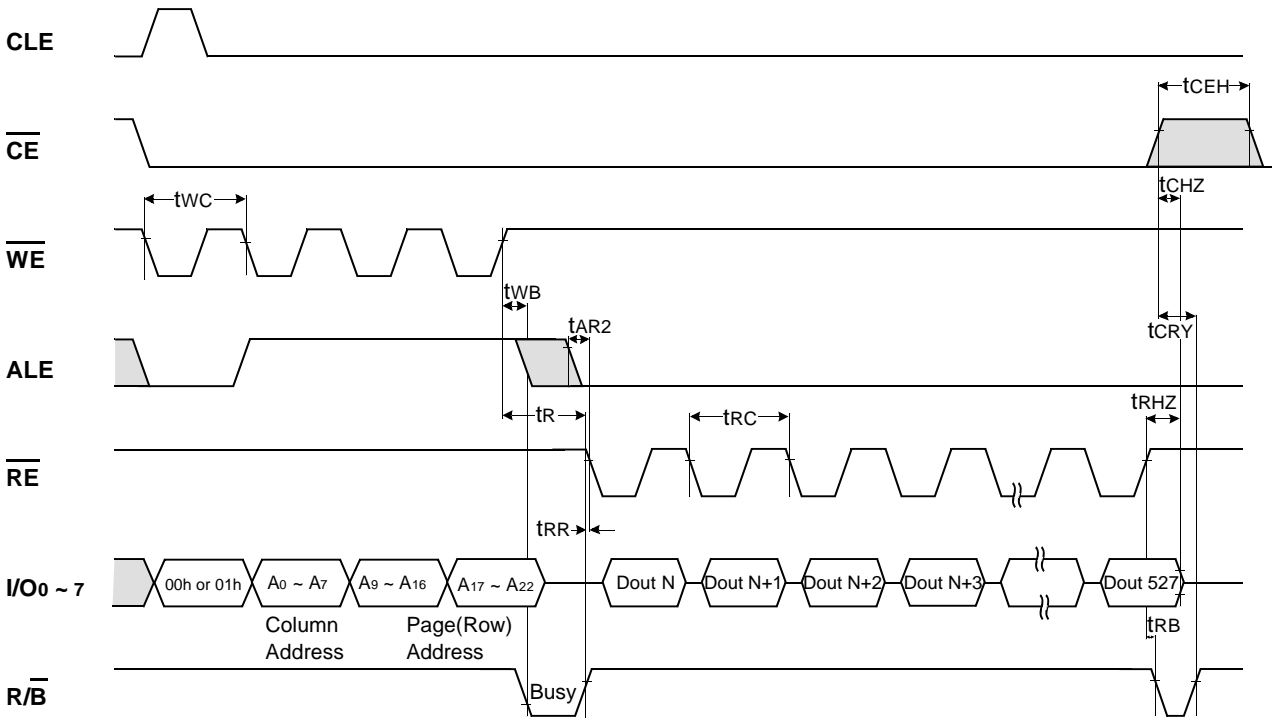


NOTES : Transition is measured  $\pm 200\text{mV}$  from steady state voltage with load.  
 This parameter is sampled and not 100% tested.

\* Status Read Cycle

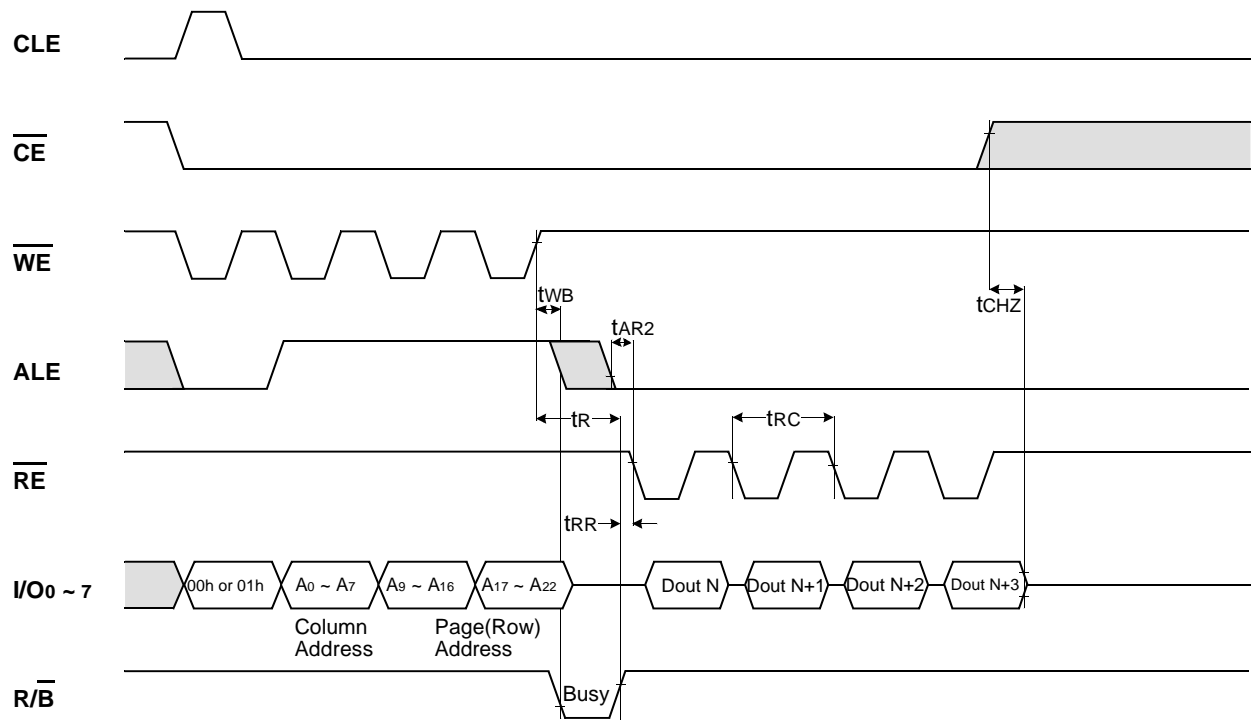


READ1 OPERATION (READ ONE PAGE)

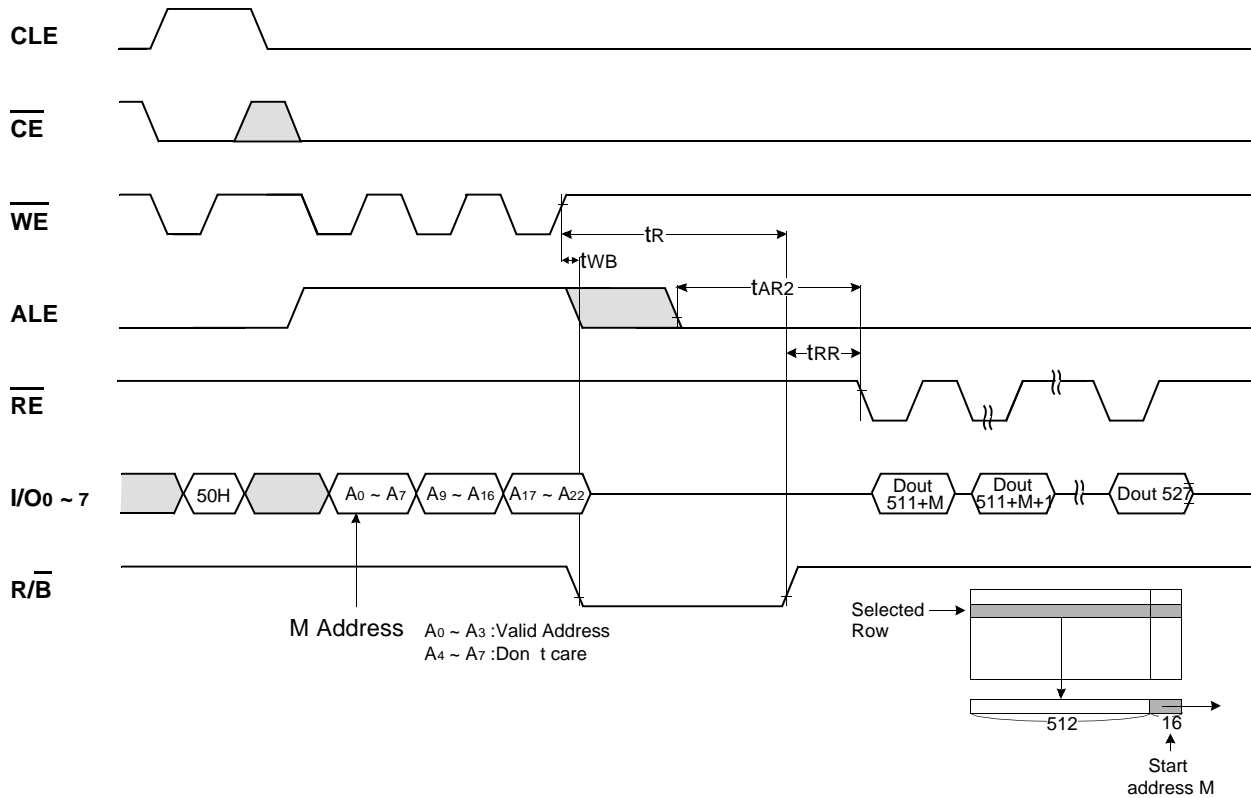




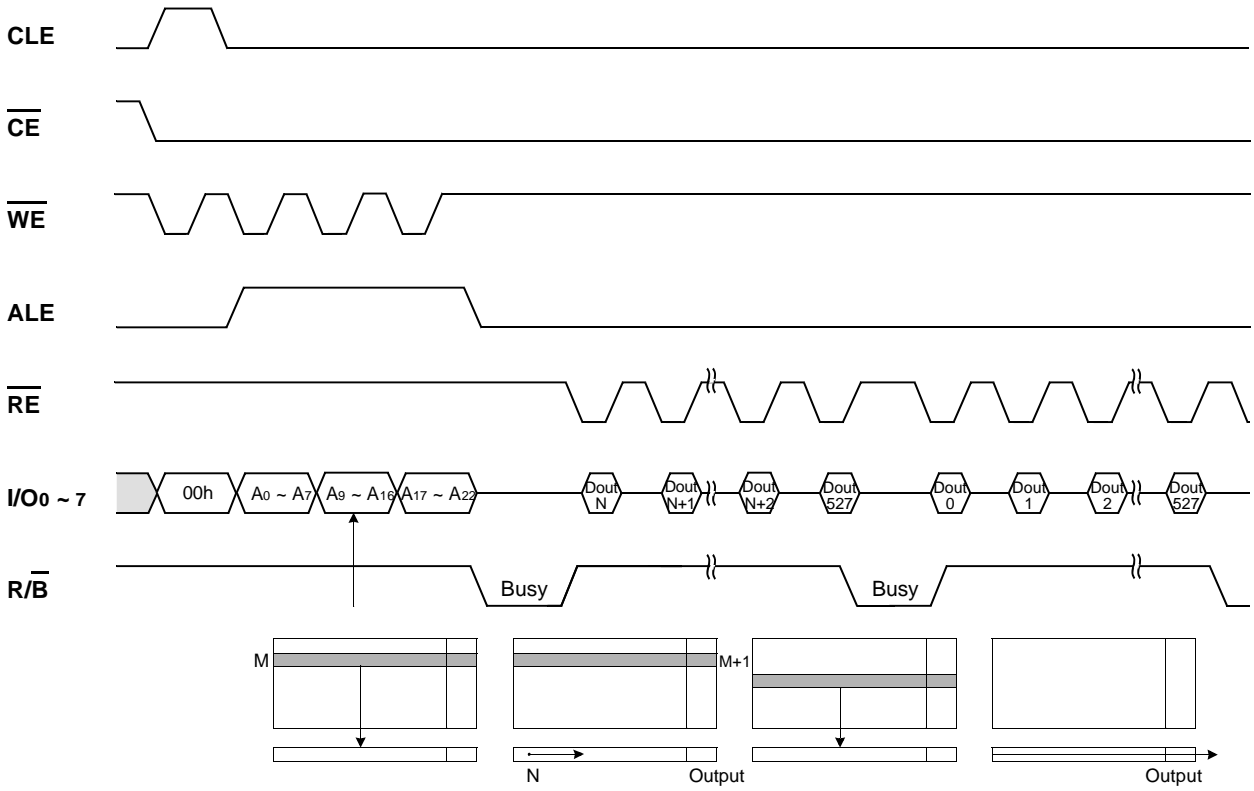
READ1 OPERATION (INTERCEPTED BY  $\overline{CE}$ )



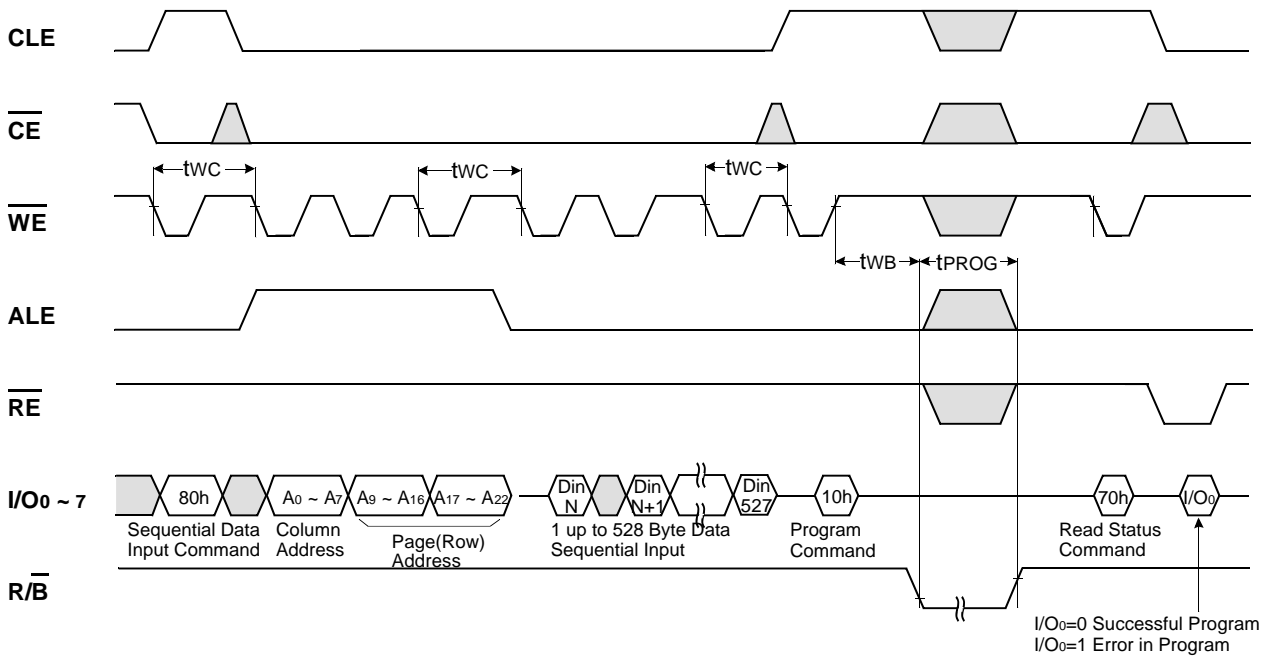
READ2 OPERATION (READ ONE PAGE)



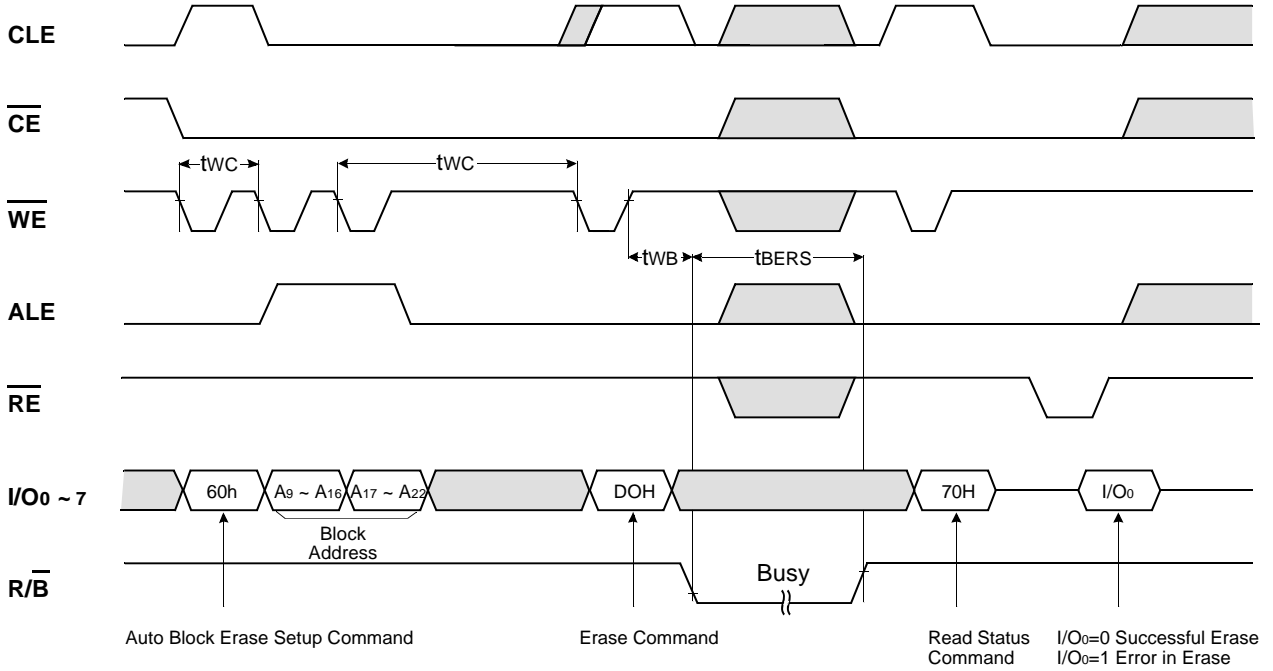
SEQUENTIAL ROW READ OPERATION



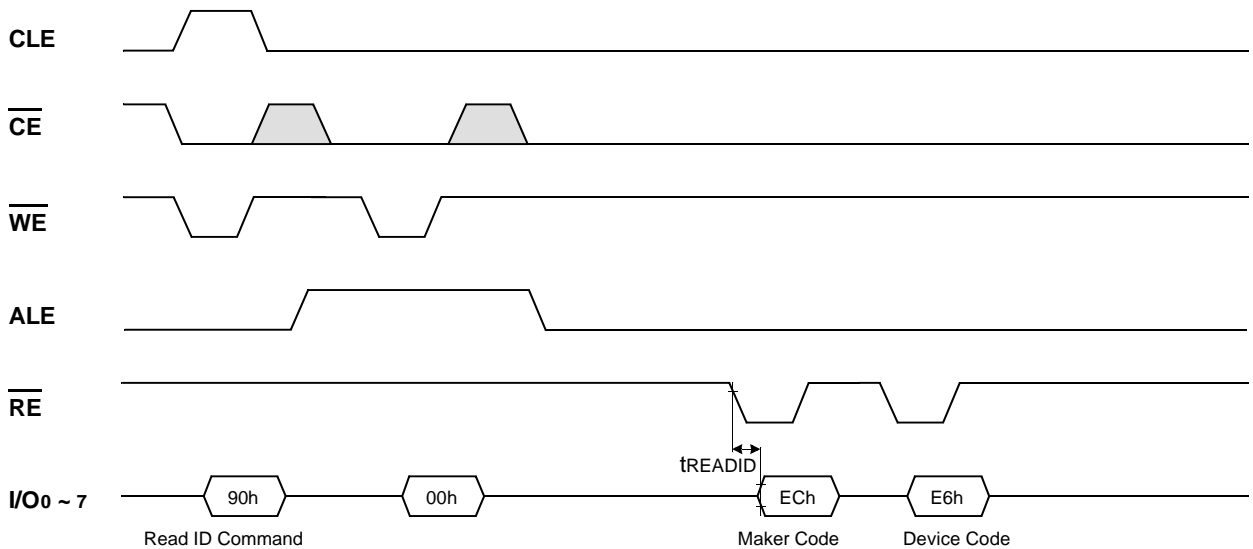
PAGE PROGRAM OPERATION



**BLOCK ERASE OPERATION(ERASE ONE BLOCK)**



**MANUFACTURE & DEVICE ID READ OPERATION**



DEVICE OPERATION

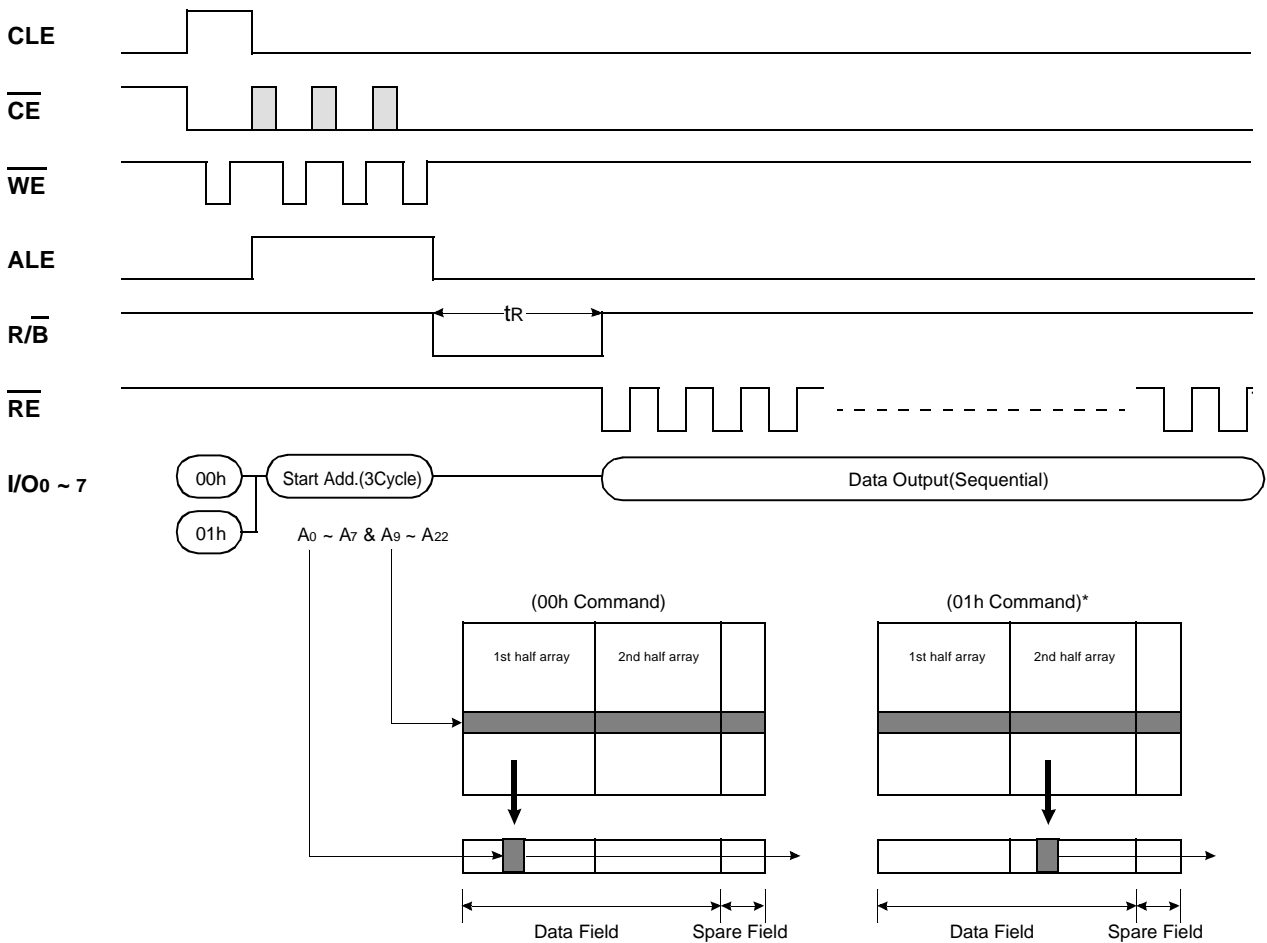
PAGE READ

Upon initial device power up, the device defaults to Read1 mode. This operation is also initiated by writing 00h to the command register along with three address cycles. Once the command is latched, it does not need to be written for the following page read operation. Three types of operations are available : random read, serial page read and sequential row read.

The random read mode is enabled when the page address is changed. The 528 bytes of data within the selected page are transferred to the data registers in less than 10µs( $t_R$ ). The CPU can detect the completion of this data transfer( $t_R$ ) by analyzing the output of  $\overline{R/B}$  pin. Once the data in a page is loaded into the registers, they may be read out in 50ns cycle time by sequentially pulsing  $\overline{RE}$ . High to low transitions of the  $\overline{RE}$  clock output the data starting from the selected column address up to the last column address.

After the data of last column address is clocked out, the next page is automatically selected for sequential row read. Waiting 10µs again allows reading the selected page. The sequential row read operation is terminated by bringing  $\overline{CE}$  high. The way the Read1 and Read2 commands work is like a pointer set to either the main area or the spare area. The spare area of bytes 512 to 527 may be selectively accessed by writing the Read2 command. Addresses  $A_0$  to  $A_3$  set the starting address of the spare area while addresses  $A_4$  to  $A_7$  are ignored. Unless the operation is aborted, the page address is automatically incremented for sequential row read as in Read1 operation and spare sixteen bytes of each page may be sequentially read. The Read1 command(00h/01h) is needed to move the pointer back to the main area. Figures 3 thru 6 show typical sequence and timings for each read operation.

Figure 3. Read1 Operation



\* After data access on 2nd half array by 01h command, the start pointer is automatically moved to 1st half array (00h) at next cycle.

Figure 4. Read2 Operation

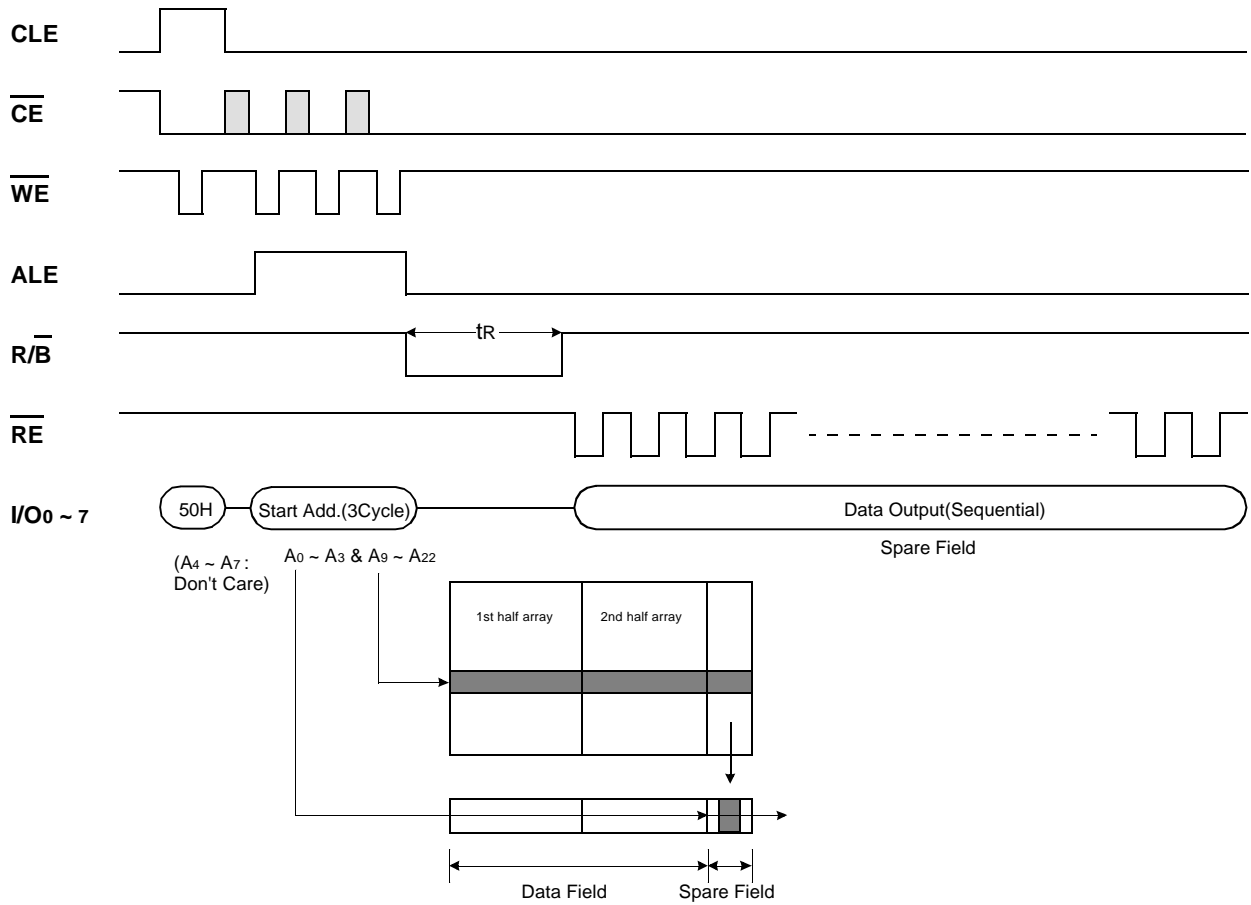


Figure 5. Sequential Row Read1 Operation

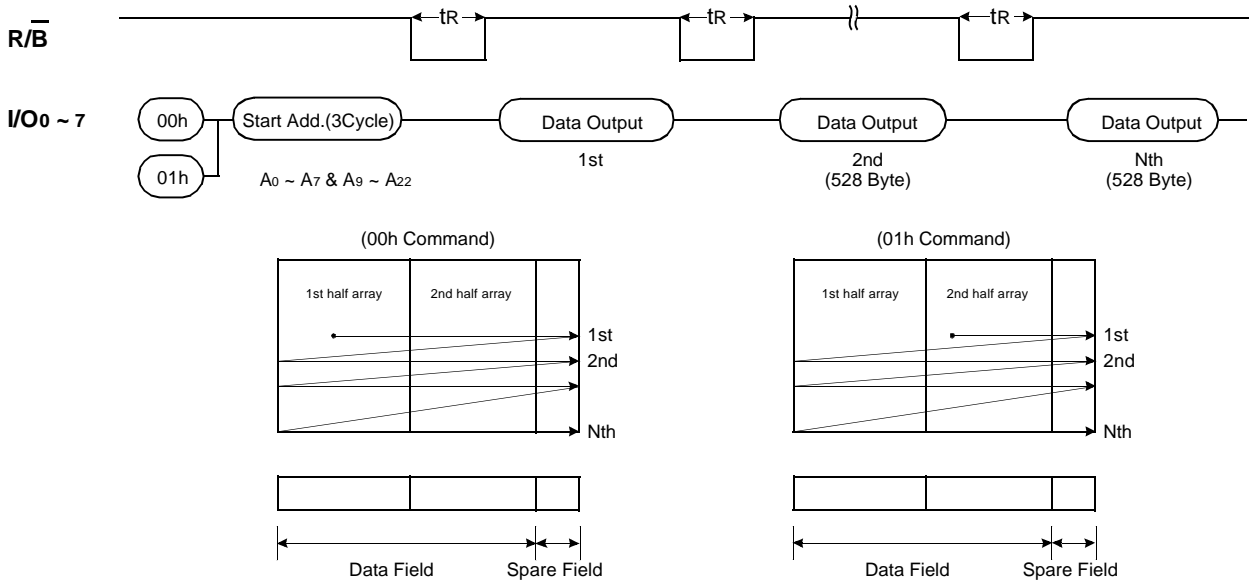
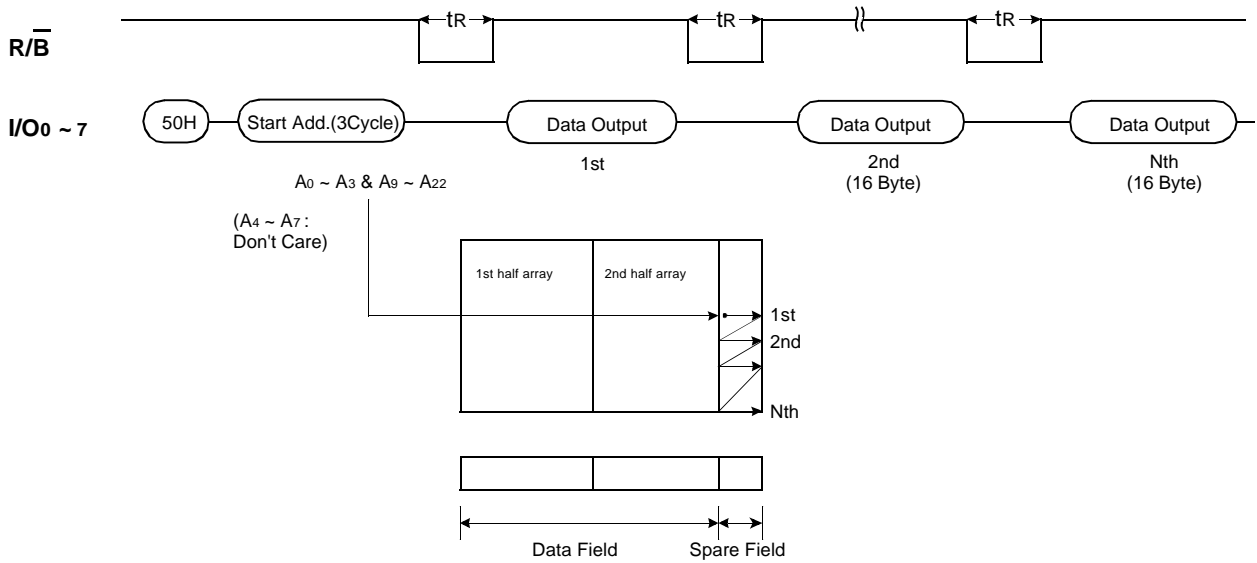


Figure 6. Sequential Row Read2 Operation

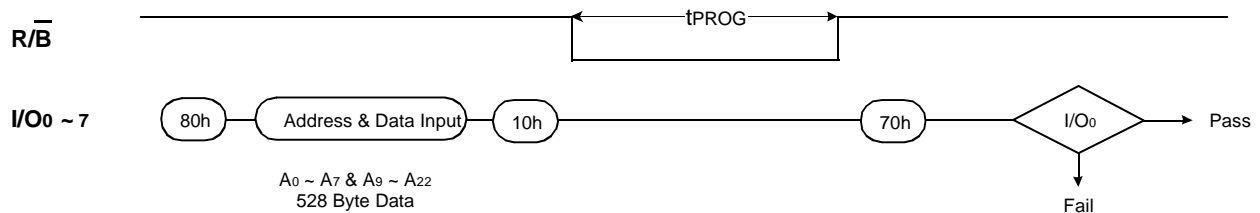


**PAGE PROGRAM**

The device is programmed basically on a page basis, but it does allow multiple partial page programming of a byte or consecutive bytes up to 528, in a single page program cycle. The number of consecutive partial page programming operation within the same page without an intervening erase operation should not exceed 2 for main array and 3 for spare array. The addressing may be done in any random order in a block. A page program cycle consists of a serial data loading period in which up to 528 bytes of data may be loaded into the page register, followed by a non-volatile programming period where the loaded data is programmed into the appropriate cell. Serial data loading can be started from 2nd half array by moving pointer. About the pointer operation, please refer to the attached technical notes.

The serial data loading period begins by inputting the Serial Data Input command(80h), followed by the three cycle address input and then serial data loading. The bytes other than those to be programmed do not need to be loaded. The Page Program confirm command(10h) initiates the programming process. Writing 10h alone without previously entering the serial data will not initiate the programming process. The internal write controller automatically executes the algorithms and timings necessary for program and verify, thereby freeing the CPU for other tasks. Once the program process starts, the Read Status Register command may be entered, with RE and CE low, to read the status register. The system controller can detect the completion of a program cycle by monitoring the R/B output, or the Status bit(I/O 6) of the Status Register. Only the Read Status command and Reset command are valid while programming is in progress. When the Page Program is complete, the Write Status Bit(I/O 0) may be checked(Figure 7). The internal write verify detects only errors for "1"s that are not successfully programmed to "0"s. The command register remains in Read Status command mode until another valid command is written to the command register.

Figure 7. Program & Read Status Operation

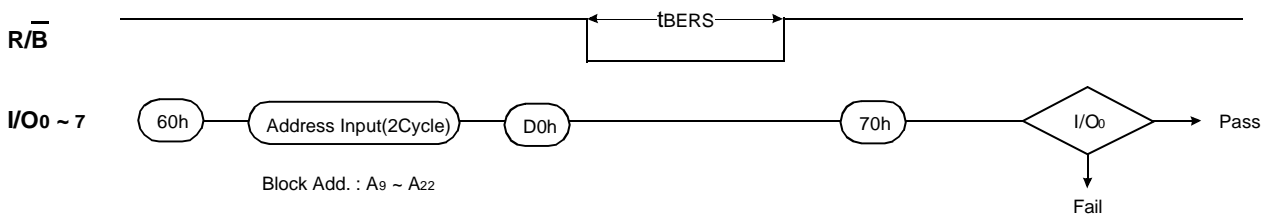


**BLOCK ERASE**

The Erase operation is done on a block(8K Byte) basis. Block address loading is accomplished in two cycles initiated by an Erase Setup command(60h). Only address A<sub>13</sub> to A<sub>22</sub> is valid while A<sub>9</sub> to A<sub>12</sub> is ignored. The Erase Confirm command(D0h) following the block address loading initiates the internal erasing process. This two-step sequence of setup followed by execution command ensures that memory contents are not accidentally erased due to external noise conditions.

At the rising edge of WE after the erase confirm command input, the internal write controller handles erase and erase-verify. When the erase operation is completed, the Write Status Bit(I/O 0) may be checked. Figure 8 details the sequence.

**Figure 8. Block Erase Operation**



**READ STATUS**

The device contains a Status Register which may be read to find out whether program or erase operation is completed, and whether the program or erase operation is completed successfully. After writing 70h command to the command register, a read cycle outputs the content of the Status Register to the I/O pins on the falling edge of  $\overline{CE}$  or  $\overline{RE}$ , whichever occurs last. This two line control allows the system to poll the progress of each device in multiple memory connections even when  $\overline{R/B}$  pins are common-wired.  $\overline{RE}$  or  $\overline{CE}$  does not need to be toggled for updated status. Refer to table 2 for specific Status Register definitions. The command register remains in Status Read mode until further commands are issued to it. Therefore, if the status register is read during a random read cycle, a read command(00h or 50h) should be given before sequential page read cycle.

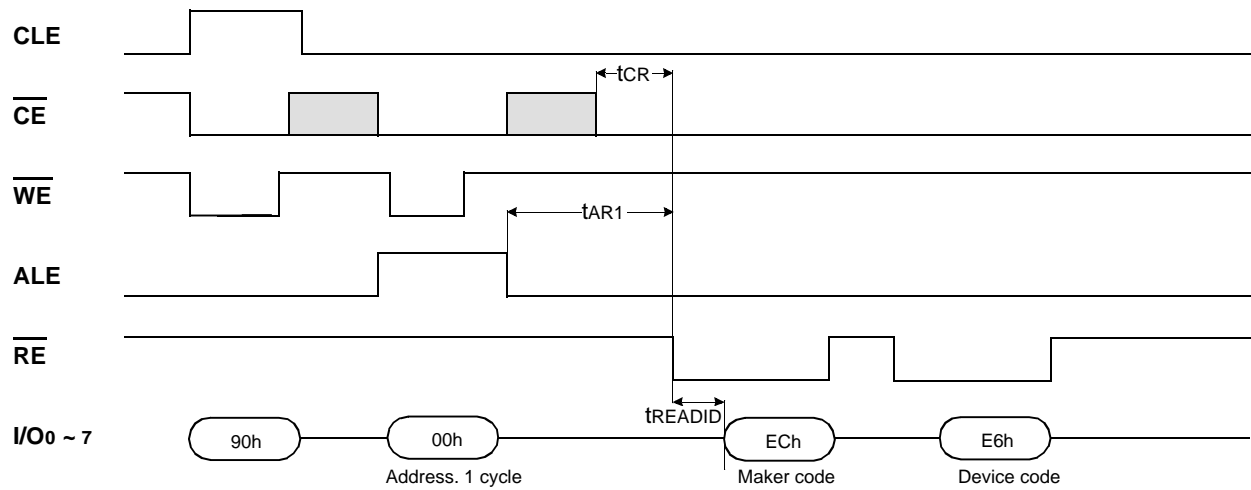
**Table2. Read Status Register Definition**

I/O #	Status	Definition
I/O <sub>0</sub>	Program / Erase	"0" : Successful Program / Erase
		"1" : Error in Program / Erase
I/O <sub>1</sub>	Reserved for Future Use	"0"
I/O <sub>2</sub>		"0"
I/O <sub>3</sub>		"0"
I/O <sub>4</sub>		"0"
I/O <sub>5</sub>		"0"
I/O <sub>6</sub>	Device Operation	"0" : Busy      "1" : Ready
I/O <sub>7</sub>	Write Protect	"0" : Protected      "1" : Not Protected

**READ ID**

The device contains a product identification mode, initiated by writing 90h to the command register, followed by an address input of 00h. Two read cycles sequentially output the manufacture code(ECh), and the device code (E6h) respectively. The command register remains in Read ID mode until further commands are issued to it. Figure 9 shows the operation sequence.

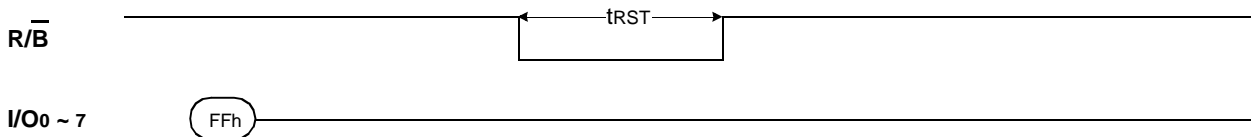
**Figure 9. Read ID Operation**



**RESET**

The device offers a reset feature, executed by writing FFh to the command register. When the device is in Busy state during random read, program or erase mode, the reset operation will abort these operations. The contents of memory cells being altered are no longer valid, as the data will be partially programmed or erased. The command register is cleared to wait for the next command, and the Status Register is cleared to value C0h when WP is high. Refer to table 3 for device status after reset operation. If the device is already in reset state a new reset command will not be accepted by the command register. The R/B pin transitions to low for tRST after the Reset command is written. Reset command is not necessary for normal operation. Refer to Figure 10 below.

**Figure 10. RESET Operation**



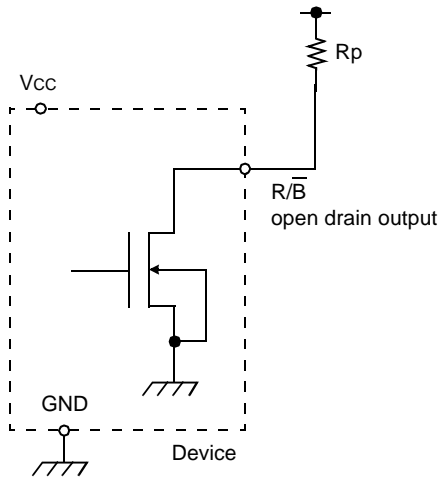
**Table3. Device Status**

	After Power-up	After Reset
Operation Mode	Read 1	Waiting for next command



**READY/BUSY**

The device has a  $\overline{R/B}$  output that provides a hardware method of indicating the completion of a page program, erase and random read completion. The  $\overline{R/B}$  pin is normally high but transitions to low after program or erase command is written to the command register or random read is started after address loading. It returns to high when the internal controller has finished the operation. The pin is an open-drain driver thereby allowing two or more  $\overline{R/B}$  outputs to be Or-tied. An appropriate pull-up resistor is required for proper operation and the value may be calculated by the following equation.



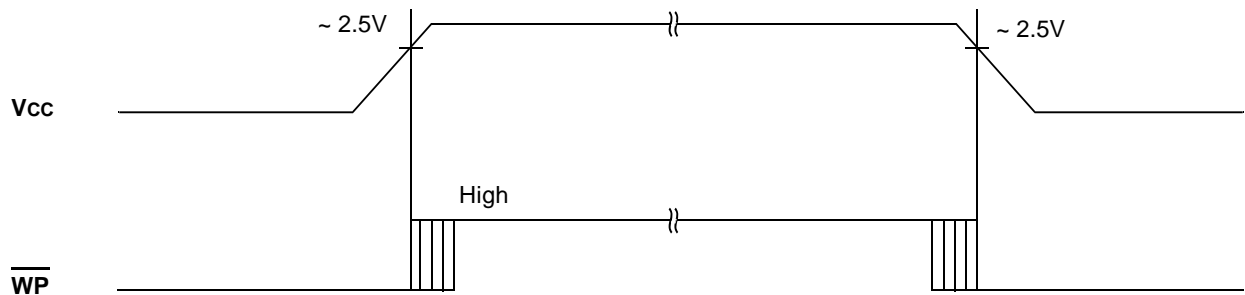
$$R_p = \frac{V_{cc}(\text{Max.}) - V_{OL}(\text{Max.})}{I_{OL} + \sum I_L} = \frac{3.2V}{8mA + \sum I_L}$$

where  $I_L$  is the sum of the input currents of all devices tied to the  $\overline{R/B}$  pin.

**DATA PROTECTION**

The device is designed to offer protection from any involuntary program/erase during power-transitions. An internal voltage detector disables all functions whenever  $V_{cc}$  is below about 2V.  $\overline{WP}$  pin provides hardware protection and is recommended to be kept at  $V_{IL}$  during power-up and power-down as shown in Figure 11. The two step command sequence for program/erase provides additional software protection.

Figure 11. AC Waveforms for Power Transition



## DIMENSIONS

Unit:mm

### 22 PAD SOLID STATE FLOPPY DISK CARD (3.3V)

#### SOLID STATE PRODUCT OUTLINE

