

**MJW16206**

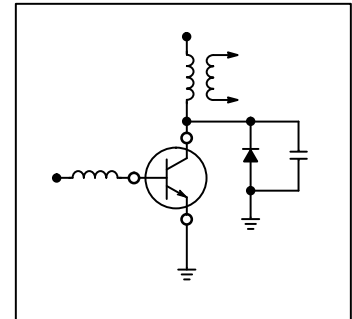
**SCANSWITCH™**

**NPN Bipolar Power Deflection Transistors  
For High and Very High Resolution CRT Monitors**

The MJF16206 and the MJW16206 are state-of-the-art SWITCHMODE bipolar power transistors. They are specifically designed for use in horizontal deflection circuits for high and very high resolution, monochrome and color CRT monitors.

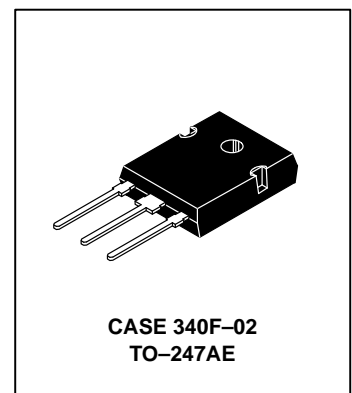
- **1200 Volt V<sub>CE</sub>S Breakdown Capability**
- Typical Dynamic Desaturation Specified (New Turn-Off Characteristic)
- Maximum Repetitive Emitter-Base Avalanche Energy Specified (Industry First)
- High Current Capability: Performance Specified at 6.5 Amps  
Continuous Rating — 12 Amps Max  
Pulsed Rating — 15 Amps Max
- Isolated MJF16206 is UL Recognized
- Fast Switching: 100 ns Inductive Fall Time (Typ)  
1000 ns Inductive Storage Time (Typ)
- Low Saturation Voltage  
0.25 Volts (Typ) at 6.5 Amps Collector Current
- High Emitter-Base Breakdown Capability For High Voltage Off Drive Circuits —  
8.0 V (Min)

**POWER TRANSISTORS  
12 AMPERES  
1200 VOLTS — V<sub>CE</sub>S  
50 and 150 WATTS**



**MAXIMUM RATINGS**

Rating	Symbol	Value	Unit
Collector-Emitter Breakdown Voltage	V <sub>CE</sub> S	1200	Vdc
Collector-Emitter Sustaining Voltage	V <sub>CEO(sus)</sub>	500	Vdc
Emitter-Base Voltage	V <sub>EB0</sub>	8.0	Vdc
Isolation Voltage (RMS for 1 sec., T <sub>A</sub> = 25°C, Relative Humidity ≤ 30%)	V <sub>ISOL</sub>	— —	V <sub>rms</sub>
Collector Current — Continuous — Pulsed (1)	I <sub>C</sub> I <sub>CM</sub>	12 15	Adc
Base Current — Continuous — Pulsed (1)	I <sub>B</sub> I <sub>BM</sub>	5.0 10	Adc
Repetitive Emitter-Base Avalanche Energy	W <sub>(BER)</sub>	0.2	mjoules
Total Power Dissipation @ T <sub>C</sub> = 25°C @ T <sub>C</sub> = 100°C Derated above 25°C	P <sub>D</sub>	150 39 1.49	Watts W/°C
Operating and Storage Temperature	T <sub>J</sub> , T <sub>stg</sub>	-55 to +150	°C



**THERMAL CHARACTERISTICS**

Characteristic	Symbol	Max	Unit
Thermal Resistance — Junction to Case	R <sub>θJC</sub>	0.67	°C/W
Lead Temperature for Soldering Purposes 1/8" from the Case for 5 seconds	T <sub>L</sub>	260	°C

(1) Pulse Test: Pulse Width = 5.0 ms, Duty Cycle ≤ 10%.

SCANSWITCH is a trademark of Motorola Inc.

# MJW16206

## ELECTRICAL CHARACTERISTICS (T<sub>C</sub> = 25°C unless otherwise noted)

Characteristic	Symbol	Min	Typ	Max	Unit
<b>OFF CHARACTERISTICS (1)</b>					
Collector Cutoff Current (V <sub>CE</sub> = 1200 Vdc, V <sub>BE</sub> = 0 V) (V <sub>CE</sub> = 850 Vdc, V <sub>BE</sub> = 0 V)	I <sub>CES</sub>	— —	— —	250 25	μAdc
Emitter–Base Leakage (V <sub>EB</sub> = 8.0 Vdc, I <sub>C</sub> = 0)	I <sub>EBO</sub>	—	—	25	μAdc
Collector–Emitter Sustaining Voltage (Figure 10) (I <sub>C</sub> = 10 mAdc, I <sub>B</sub> = 0)	V <sub>CEO(sus)</sub>	500	—	—	Vdc
Emitter–Base Breakdown Voltage (I <sub>E</sub> = 1.0 mA, I <sub>C</sub> = 0)	V <sub>(BR)EBO</sub>	8.0	11	—	Vdc

## ON CHARACTERISTICS (1)

Collector–Emitter Saturation Voltage (I <sub>C</sub> = 3.0 Adc, I <sub>B</sub> = 400 mAdc) (I <sub>C</sub> = 6.5 Adc, I <sub>B</sub> = 1.5 Adc)	V <sub>CE(sat)</sub>	— —	0.15 0.25	1.0 1.0	Vdc
Base–Emitter Saturation Voltage (I <sub>C</sub> = 6.5 Adc, I <sub>B</sub> = 1.5 Adc)	V <sub>BE(sat)</sub>	—	0.9	1.5	Vdc
DC Current Gain (I <sub>C</sub> = 1.0 Adc, V <sub>CE</sub> = 5.0 Vdc) (I <sub>C</sub> = 10 Adc, V <sub>CE</sub> = 5.0 Vdc) (I <sub>C</sub> = 12 Adc, V <sub>CE</sub> = 5.0 Vdc)	h <sub>FE</sub>	— 5.0 3.0	24 8.0 6.0	— 13 —	—

## DYNAMIC CHARACTERISTICS

Dynamic Desaturation Interval (Figure 15) (I <sub>C</sub> = 6.5 Adc, I <sub>B</sub> = 1.5 Adc, L <sub>B</sub> = 0.5 μH)	t <sub>ds</sub>	—	250	—	ns
Emitter–Base Avalanche Turn–off Energy (Figure 15) (t = 500 ns, R <sub>BE</sub> = 22 Ω)	EB <sub>(off)</sub>	—	30	—	μjoules
Output Capacitance (V <sub>CE</sub> = 10 Vdc, I <sub>E</sub> = 0, f <sub>test</sub> = 100 kHz)	C <sub>ob</sub>	—	180	350	pF
Gain Bandwidth Product (V <sub>CE</sub> = 10 Vdc, I <sub>C</sub> = 0.5 A, f <sub>test</sub> = 1.0 MHz)	f <sub>T</sub>	—	3.0	—	MHz
Collector–Heatsink Capacitance — MJF16206 Isolated Package (Mounted on a 1" x 2" x 1/16" Copper Heatsink, V <sub>CE</sub> = 0, f <sub>test</sub> = 100 kHz)	C <sub>C–hs</sub>	—	17	—	pF

## SWITCHING CHARACTERISTICS

Inductive Load (Figure 15) (I <sub>C</sub> = 6.5 A, I <sub>B</sub> = 1.5 A)					ns
Storage	t <sub>sv</sub>	—	1000	2250	
Fall Time	t <sub>fi</sub>	—	100	250	

(1) Pulse Test: Pulse Width = 300 μs, Duty Cycle ≤ 2.0%.

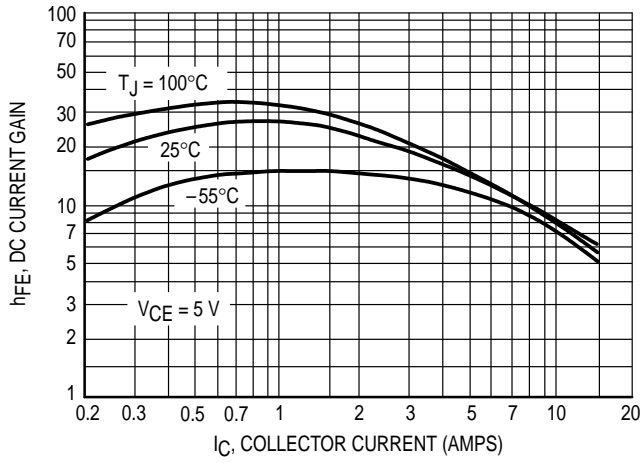


Figure 1. Typical DC Current Gain

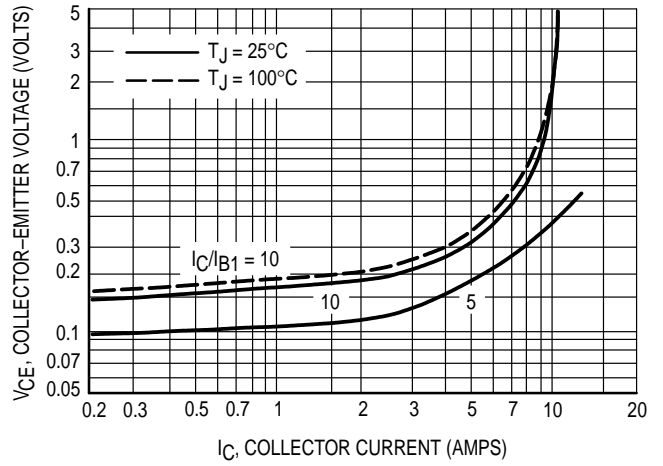


Figure 2. Typical Collector-Emitter Saturation Voltage

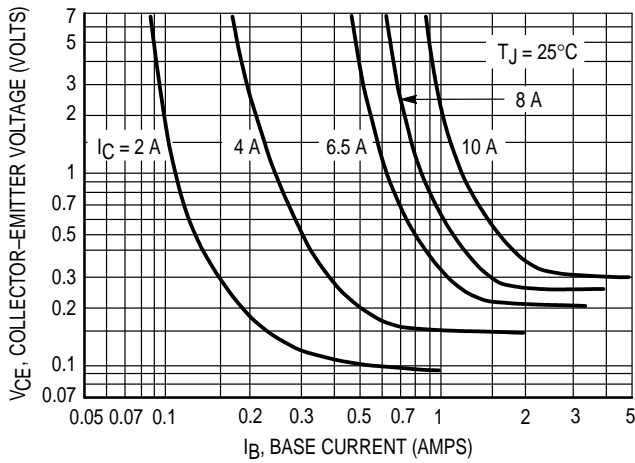


Figure 3. Typical Collector Saturation Region

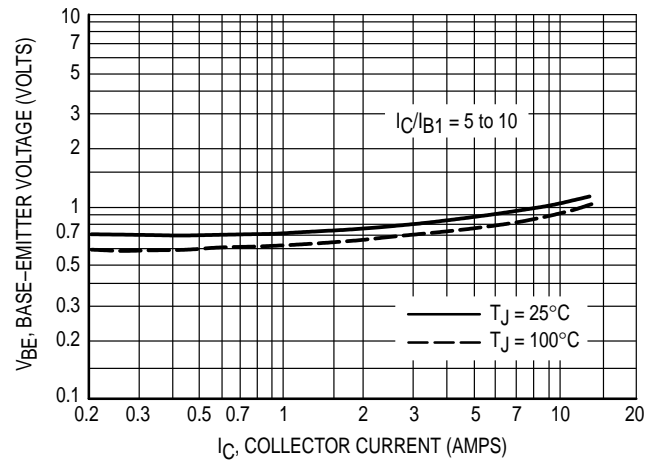


Figure 4. Typical Base-Emitter Saturation Voltage

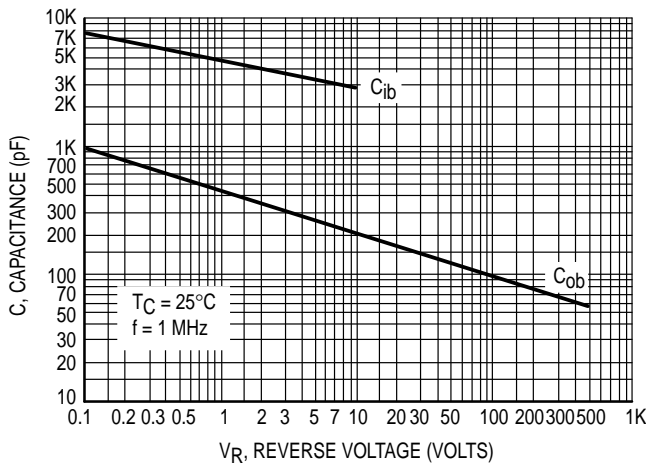


Figure 5. Typical Capacitance

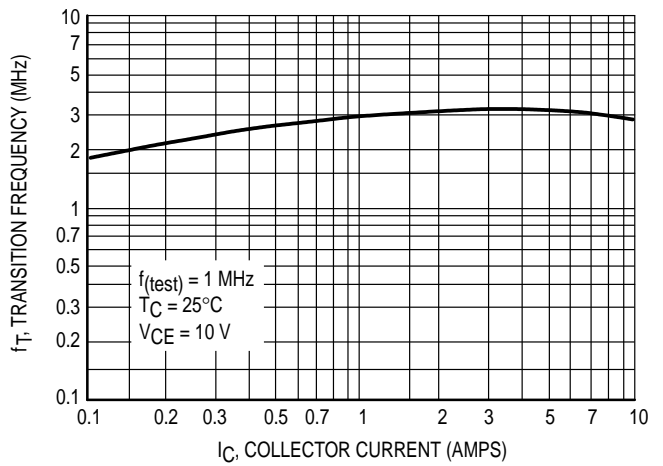


Figure 6. Typical Transition Frequency

SAFE OPERATING AREA INFORMATION

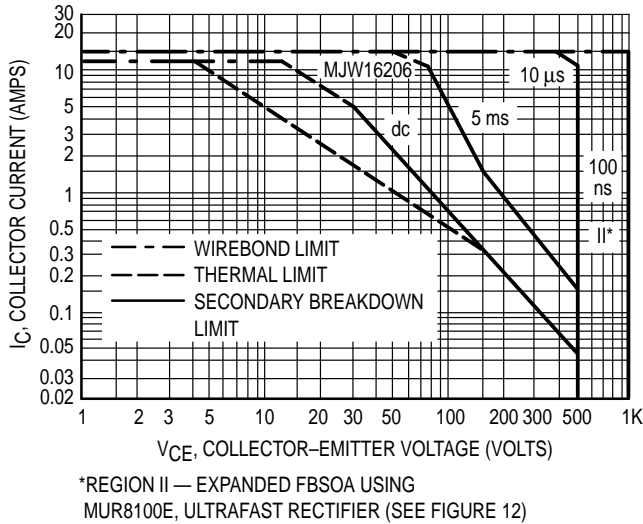


Figure 7. Maximum Forward Biased Safe Operating Area

FORWARD BIAS

There are two limitations on the power handling ability of a transistor: average junction temperature and second breakdown. Safe operating area curves indicate  $I_C - V_{CE}$  limits of the transistor that must be observed for reliable operation; i.e., the transistor must not be subjected to greater dissipation than the curves indicate.

The data of Figure 7 is based on  $T_C = 25^\circ\text{C}$ ;  $T_J(\text{pk})$  is variable depending on power level. Second breakdown pulse limits are valid for duty cycles to 10% but must be derated when  $T_C \geq 25^\circ\text{C}$ . Second breakdown limitations do not derate the same as thermal limitations. Allowable current at the voltages shown on Figure 7 may be found at any case temperature by using the appropriate curve on Figure 9.

At high case temperatures, thermal limitations will reduce the power that can be handled to values less than the limitations imposed by second breakdown.

REVERSE BIAS

Inductive loads, in most cases, require the emitter-to-base junction be reversed biased because high voltage and high current must be sustained simultaneously during turn-off. Under these conditions, the collector voltage must be held to a safe level at or below a specific value of collector current. This can be accomplished by several means such as

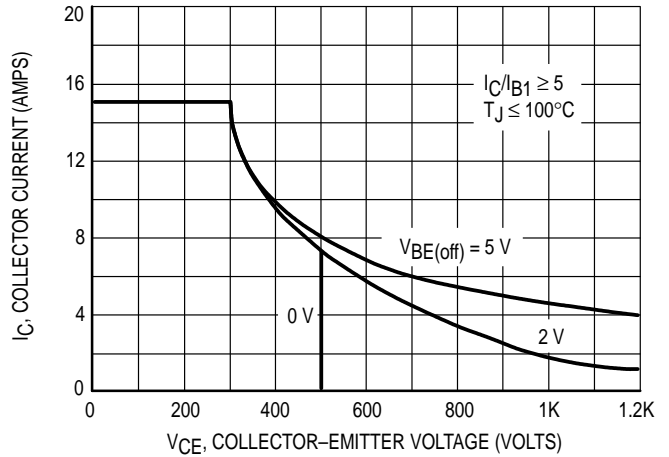


Figure 8. Maximum Reverse Bias Safe Operating Area

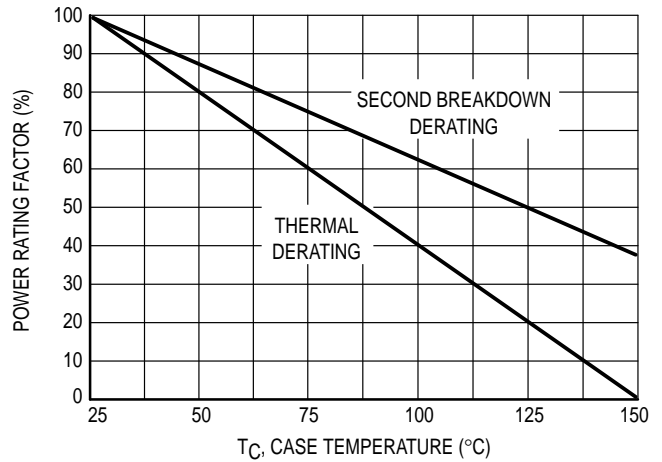


Figure 9. Power Derating

active clamping, RC snubbing, load line shaping, etc. The safe level for these devices is specified as Reverse Biased Safe Operating Area and represents the voltage-current condition allowable during reverse biased turn-off. This rating is verified under clamped conditions so that the device is never subjected to an avalanche mode. Figure 8 gives the RBSOA characteristics.

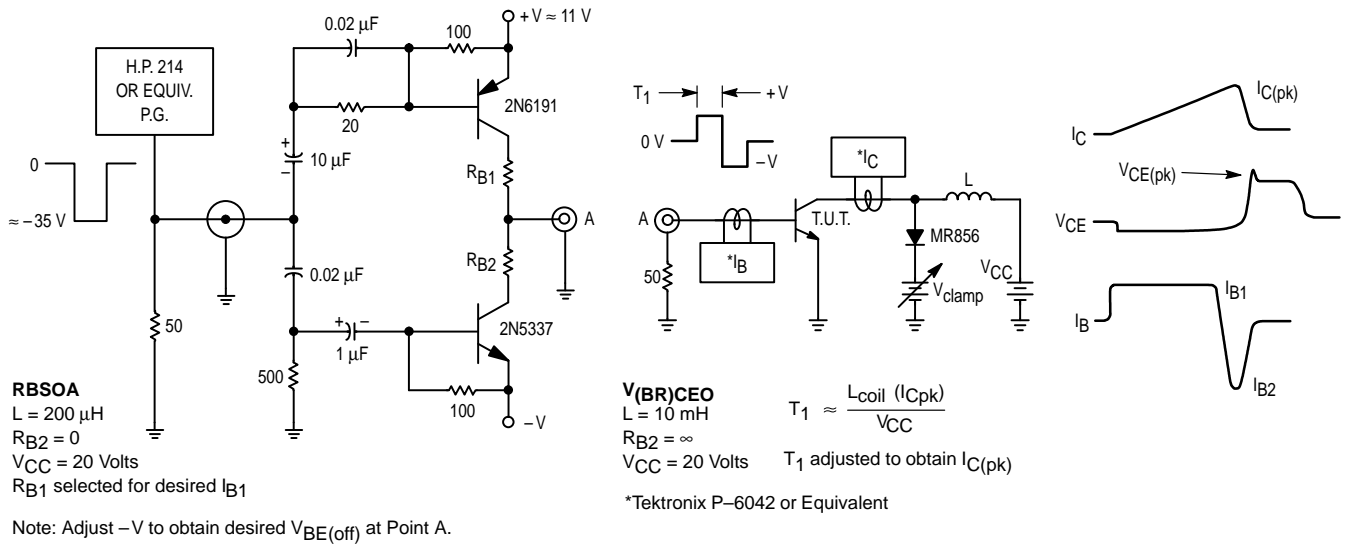


Figure 10. RBSOA/ $V_{(BR)CEO}$ (sus) Test Circuit

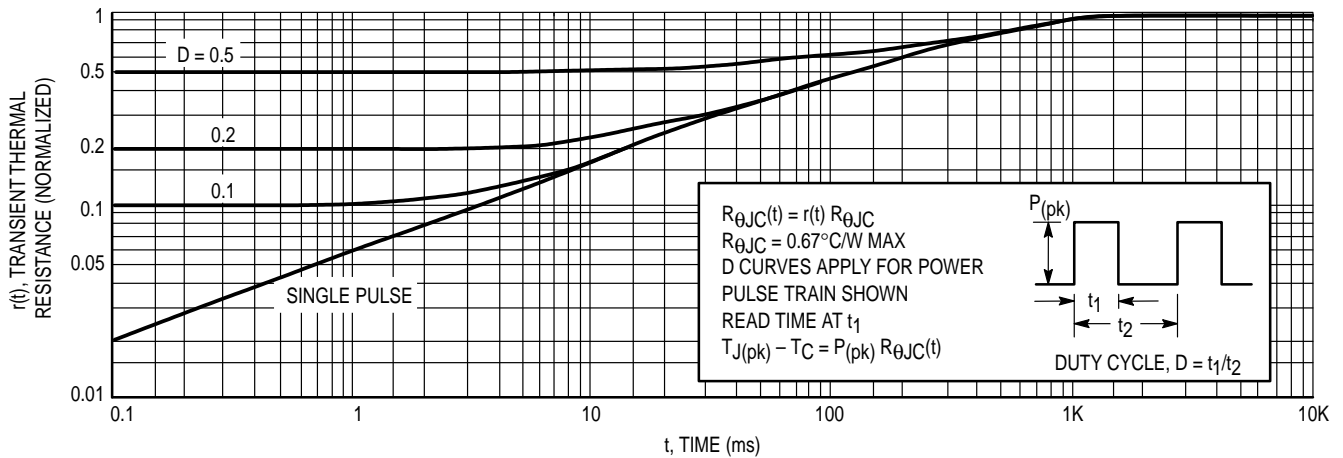


Figure 11. Thermal Response

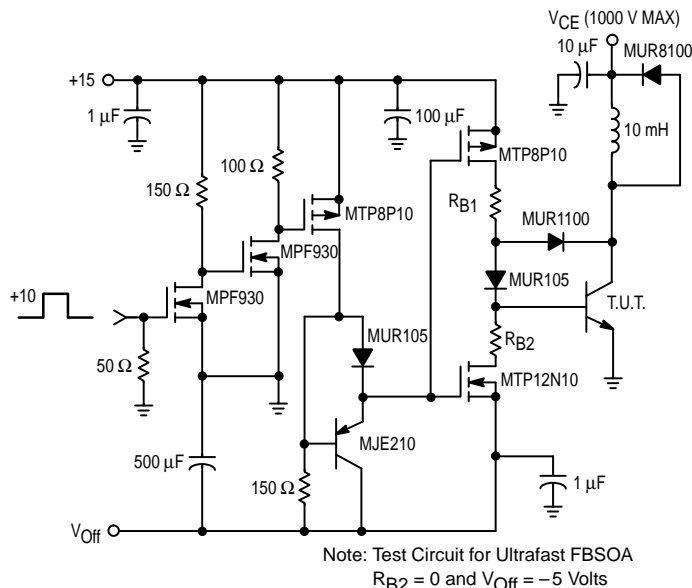


Figure 12. Switching Safe Operating Area

DYNAMIC DESATURATION

DYNAMIC DESATURATION

The SCANSWITCH series of bipolar power transistors are specifically designed to meet the unique requirements of horizontal deflection circuits in computer monitor applications. Historically, deflection transistor design was focused on minimizing collector current fall time. While fall time is a valid figure of merit, a more important indicator of circuit performance as scan rates are increased is a new characteristic, "dynamic desaturation." In order to assure a linear collector current ramp, the output transistor must remain in hard saturation during storage time and exhibit a rapid turn-off transition. A sluggish transition results in serious consequences.

As the saturation voltage of the output transistor increases, the voltage across the yoke drops. Roll off in the collector current ramp results in improper beam deflection and distortion of the image at the right edge of the screen. Design changes have been made in the structure of the SCANSWITCH series of devices which minimize the dynamic desaturation interval. Dynamic desaturation has been defined in terms of the time required for the  $V_{CE}$  to rise from 1.0 to 5.0 volts (Figures 13 and 14) and typical performance at optimized drive conditions has been specified. Optimization of device structure results in a linear collector Current ramp, excellent turn-off switching performance, and significantly lower overall power dissipation.

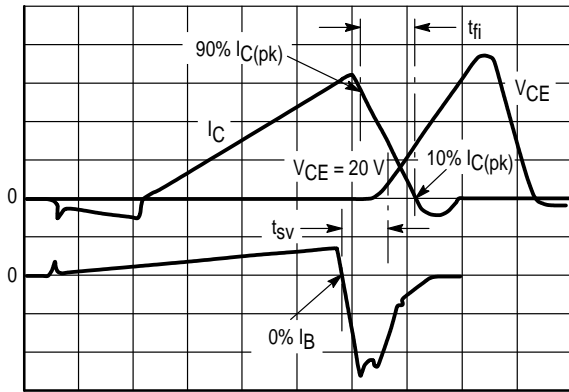


Figure 13. Deflection Simulator Switching Waveforms From Circuit in Figure 15

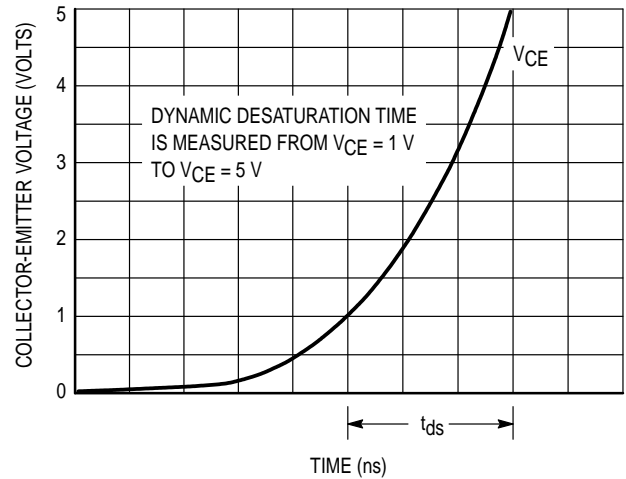


Figure 14. Definition of Dynamic Desaturation Measurement

EMITTER-BASE TURN-OFF ENERGY

Typical techniques for driving horizontal outputs rely on a pulse transformer to supply forward base current, and a turn-off network that includes a series base inductor to limit the rate of transition from forward to reverse drive. An alternate drive scheme has been used to characterize the SCANSWITCH series of devices (see Figure 15). This circuit produces a ramp of base drive, eliminating the heavy overdrive at the beginning of the collector current ramp and underdrive just prior to turnoff produced by typical drive strategies. This high performance drive has two additional impor-

tant advantages. First, the configuration of T<sub>1</sub> allows L<sub>B</sub> to be placed outside the path of forward base current making it unnecessary to expend energy to reverse current flow as in a series base inductor. Second, there is no base resistor to limit forward base current and hence no power loss associated with setting the value of the forward base current. The process of generating the ramp stores rather than dissipates energy. Tailoring the amount of energy stored in T<sub>1</sub> to the amount of energy, EB<sub>(off)</sub>, that is required to turn-off the output transistor results in essentially lossless operation. [Note: B+ and the primary inductance of T<sub>1</sub> (L<sub>p</sub>) are chosen such that 1/2 L<sub>p</sub> I<sub>b</sub><sup>2</sup> = EB<sub>(off)</sub>].

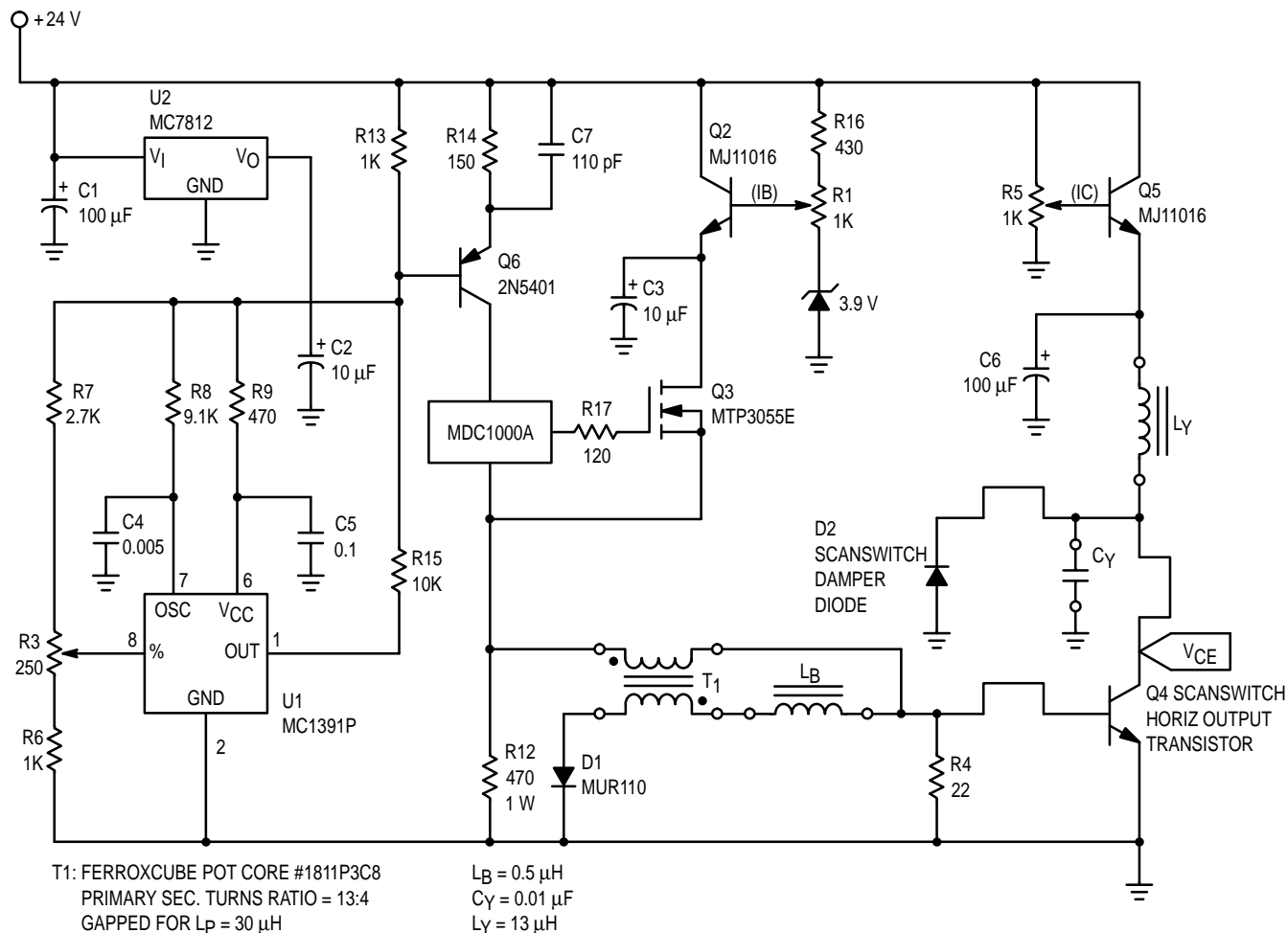


Figure 15. High Resolution Deflection Application Simulator

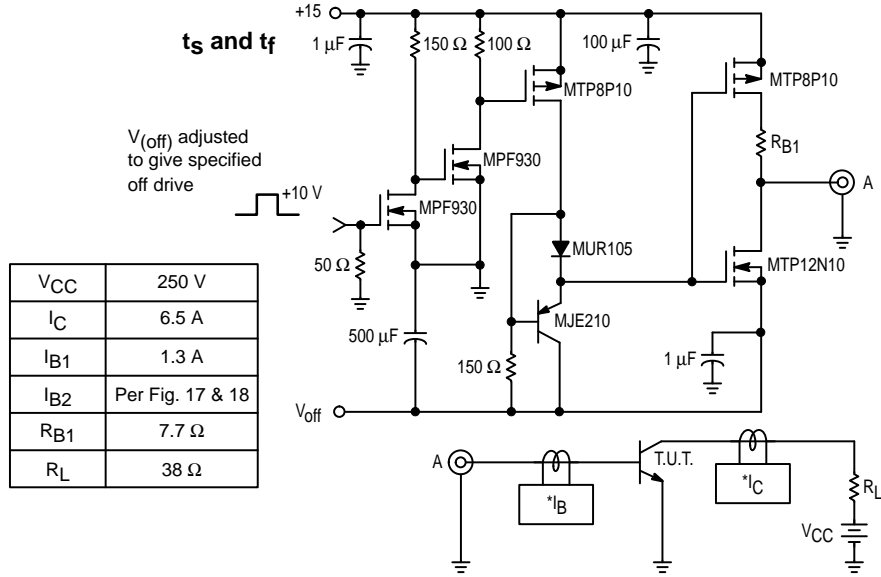


Figure 16. Resistive Load Switching

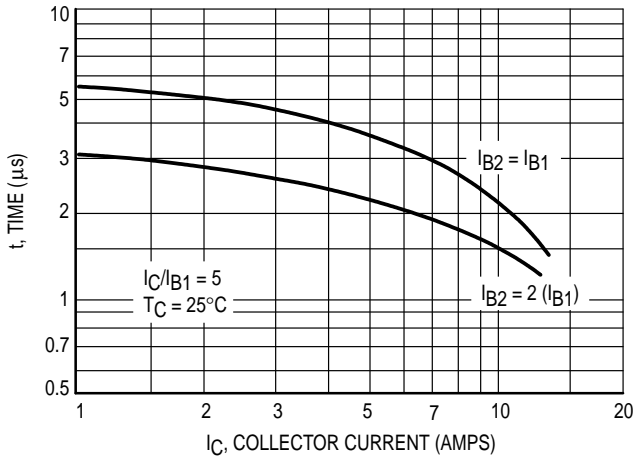


Figure 17. Typical Resistive Storage Time

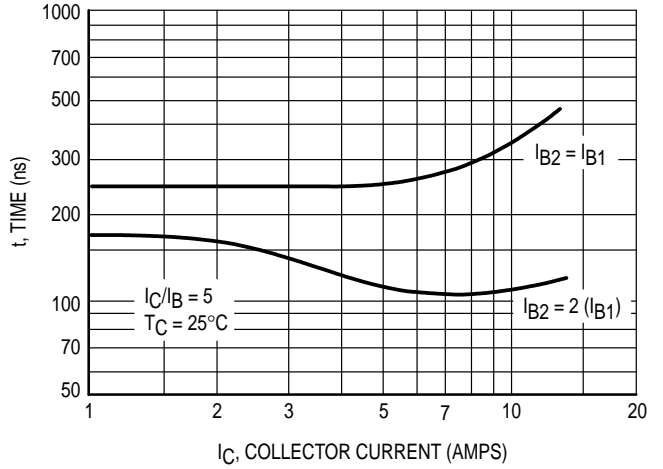


Figure 18. Typical Resistive Fall Time



TEST CONDITIONS FOR ISOLATION TESTS\*

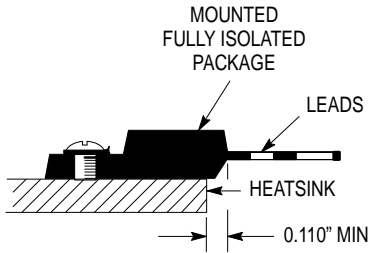


Figure 19. Screw or Clip Mounting Position for Isolation Test Number 1

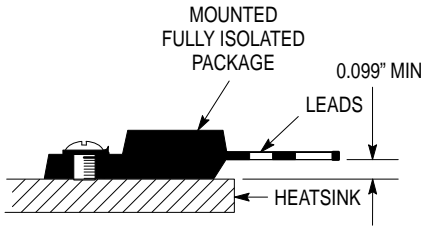


Figure 20. Screw or Clip Mounting Position for Isolation Test Number 2

\* Measurement made between leads and heatsink with all leads shorted together.

MOUNTING INFORMATION\*\*

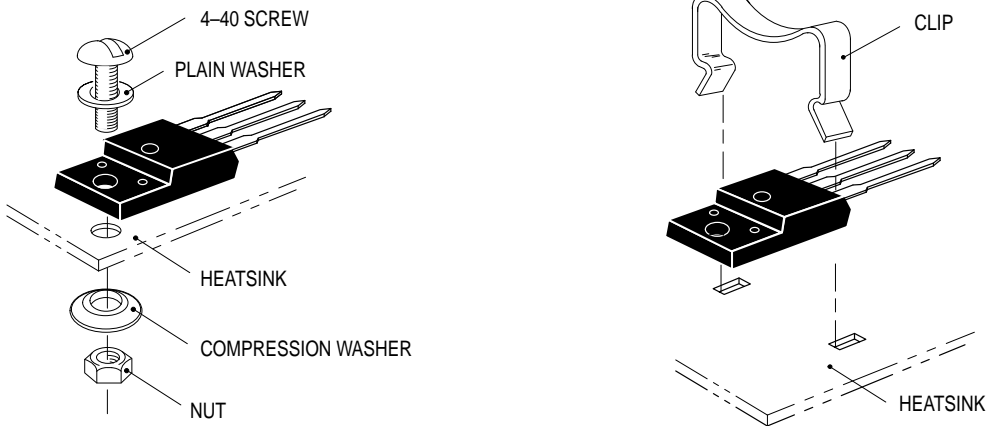


Figure 21. Typical Mounting Techniques\*

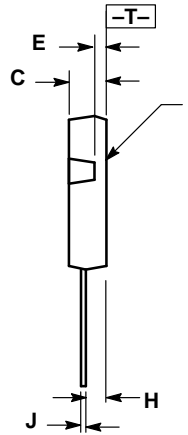
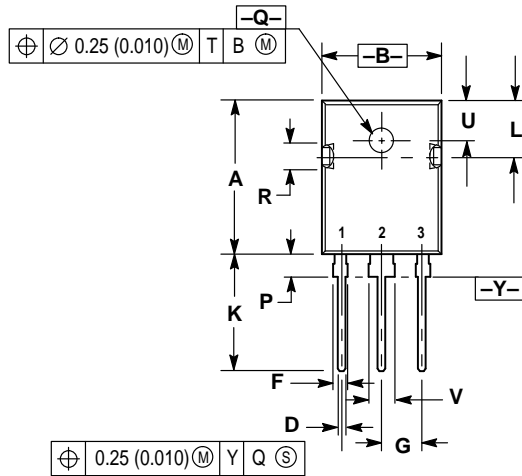
Laboratory tests on a limited number of samples indicate, when using the screw and compression washer mounting technique, a screw torque of 6 to 8 in · lbs is sufficient to provide maximum power dissipation capability. The compression washer helps to maintain a constant pressure on the package over time and during large temperature excursions.

Destructive laboratory tests show that using a hex head 4-40 screw, without washers, and applying a torque in excess of 20 in · lbs will cause the plastic to crack around the mounting hole, resulting in a loss of isolation capability.

Additional tests on slotted 4-40 screws indicate that the screw slot fails between 15 to 20 in · lbs without adversely affecting the package. However, in order to positively ensure the package integrity of the fully isolated device, Motorola does not recommend exceeding 10 in · lbs of mounting torque under any mounting conditions.

\*\* For more information about mounting power semiconductors see Application Note AN1040.

PACKAGE DIMENSIONS



NOTES:

1. DIMENSIONING AND TOLERANCING PER ANSI Y14.5M, 1982.
2. CONTROLLING DIMENSION: MILLIMETER.

DIM	MILLIMETERS		INCHES	
	MIN	MAX	MIN	MAX
A	20.40	20.90	0.803	0.823
B	15.44	15.95	0.608	0.628
C	4.70	5.21	0.185	0.205
D	1.09	1.30	0.043	0.051
E	1.50	1.63	0.059	0.064
F	1.80	2.18	0.071	0.086
G	5.45 BSC		0.215 BSC	
H	2.56	2.87	0.101	0.113
J	0.48	0.68	0.019	0.027
K	15.57	16.08	0.613	0.633
L	7.26	7.50	0.286	0.295
P	3.10	3.38	0.122	0.133
Q	3.50	3.70	0.138	0.145
R	3.30	3.80	0.130	0.150
U	5.30 BSC		0.209 BSC	
V	3.05	3.40	0.120	0.134

STYLE 3:

- PIN 1. BASE
- COLLECTOR
- EMITTER
- COLLECTOR

CASE 340F-03  
TO-247AE  
ISSUE E

Motorola reserves the right to make changes without further notice to any products herein. Motorola makes no warranty, representation or guarantee regarding the suitability of its products for any particular purpose, nor does Motorola assume any liability arising out of the application or use of any product or circuit, and specifically disclaims any and all liability, including without limitation consequential or incidental damages. "Typical" parameters can and do vary in different applications. All operating parameters, including "Typicals" must be validated for each customer application by customer's technical experts. Motorola does not convey any license under its patent rights nor the rights of others. Motorola products are not designed, intended, or authorized for use as components in systems intended for surgical implant into the body, or other applications intended to support or sustain life, or for any other application in which the failure of the Motorola product could create a situation where personal injury or death may occur. Should Buyer purchase or use Motorola products for any such unintended or unauthorized application, Buyer shall indemnify and hold Motorola and its officers, employees, subsidiaries, affiliates, and distributors harmless against all claims, costs, damages, and expenses, and reasonable attorney fees arising out of, directly or indirectly, any claim of personal injury or death associated with such unintended or unauthorized use, even if such claim alleges that Motorola was negligent regarding the design or manufacture of the part. Motorola and are registered trademarks of Motorola, Inc. Motorola, Inc. is an Equal Opportunity/Affirmative Action Employer.

How to reach us:

USA/EUROPE: Motorola Literature Distribution;  
P.O. Box 20912; Phoenix, Arizona 85036. 1-800-441-2447

JAPAN: Nippon Motorola Ltd.; Tatsumi-SPD-JLDC, Toshikatsu Otsuki,  
6F Seibu-Butsuryu-Center, 3-14-2 Tatsumi Koto-Ku, Tokyo 135, Japan. 03-3521-8315

MFAX: RMFAX0@email.sps.mot.com - TOUCHTONE (602) 244-6609  
INTERNET: http://Design-NET.com

HONG KONG: Motorola Semiconductors H.K. Ltd.; 8B Tai Ping Industrial Park,  
51 Ting Kok Road, Tai Po, N.T., Hong Kong. 852-26629298

